

PARTS CATALOGUE



36LF171101H6
Side Cover 1(LH)-Maroon

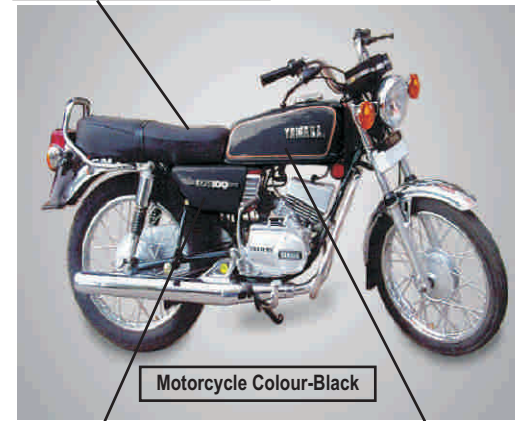


Motorcycle Colour-Maroon

36LF172101H6
Side Cover 2(RH)-Maroon

4TLXF41AA0H6
Fuel Tank Unit Assy-Maroon

4TLF17106000
Side Cover 1(LH)-Black



Motorcycle Colour-Black

4TLF17206000
Side Cover 2(RH)-Black

4TLF41006000
Fuel Tank Unit Assy-Black

RX 100

INDIA



36L0

RX 100 (36L0)
PARTS CATALOGUE
INDIA YAMAHA MOTOR PVT. LTD.
All rights reserved.
Any reprinting or unauthorized use
without the written permission of
INDIA YAMAHA MOTOR PVT. LTD.
is expressly prohibited.
Printed in INDIA

FOREWORD

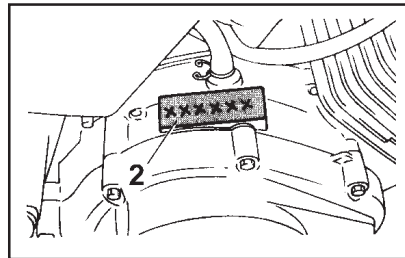
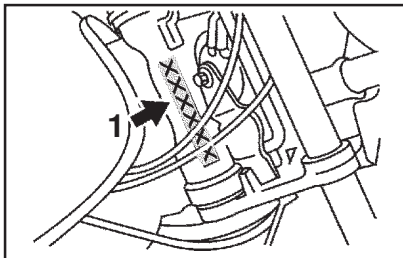
This Parts Catalogue is related to the parts in use for the YAMAHA - RX 100 (36L0)
When you are ordering replacement parts for RX 100 (36L0) refer to this Parts Catalogue and quote both part numbers and part names correctly.

1. Modifications or additions which have been made after issue of the Parts Catalogue will be announced in the Service Actions. It is advisable that according to the Service Action you make necessary corrections to the Parts Catalogue on hand to keep it up-to-date.
2. Indication of No. of constituent parts for assembly.
The numeral appearing to the right of each constituent part under the description indicates the quantity of such parts for each individual assembly unit.

EXAMPLE

Part No.	Description	Qty
36L-E1400-00	CRANK SHAFT ASSY.	1
36L-H2110-00	BATTERY ASSY	1
36L-E1111-00	CYLINDER HEAD	1

3. Applicable Serial No. and Color Code



Colour Code	Colour Name	Abbreviate
00H9	YAMAHA BLACK	YB
00H6	MAROON	CNM

NOTICE

The description and illustration in this Parts Catalogue may not necessarily match with the physical appearance of the parts.

INDIA YAMAHA MOTOR PVT. LTD. reserves the right to carry out modifications on the vehicle, parts or accessories, as may be considered necessary, without being obliged to update this Parts Catalogue immediately.

No part of this Publication may be reproduced without written permission of INDIA YAMAHA MOTOR PVT. LTD.

CONTENTS

ENGINE

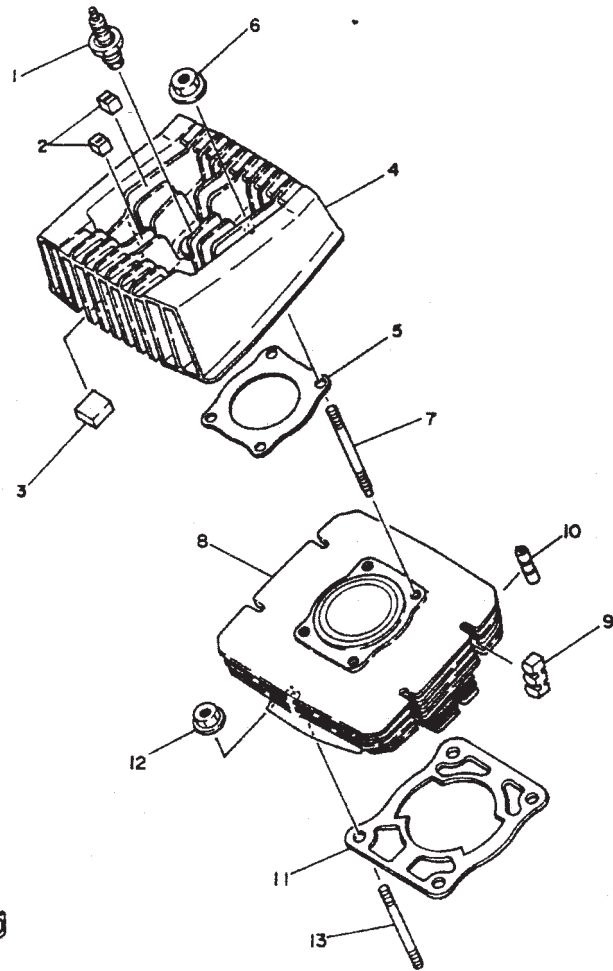
CYLINDER	2
CRANKSHAFT/PISTON	3
OIL PUMP	4
INTAKE	5
CARBURETTOR	6
EXHAUST	8
CRANKCASE	9
CRANKCASE COVER 1	10
STARTER	11
CLUTCH	12
TRANSMISSION	13
SHIFT CAM FORK	14
SHIFT SHAFT	15

CHASSIS

FRAME	16
FENDER	17
SIDE COVER	18
OIL TANK	19
REAR ARM. & SUSPENSION	20
STEERING	21
FRONT FORK	22
FUEL TANK	24
SEAT	26
FRONT WHEEL	27

REAR WHEEL	29
STEERING HANDLE & CABLE	31
STAND FOOTREST	32
GENERATOR	34
FLASHER LIGHT	35
METER	37
HEAD LIGHT	38
TAIL LIGHT	40
HANDLE SWITCH & LEVER	41
ELECTRICAL 1	42
ELECTRICAL 2	43
OPTIONAL PARTS	44

NUMERICAL INDEX



58X440-5010

FIG. 1 CYLINDER

REF. NO.	EXISTING PART NO.	PART NAME	36L0	9 DIGIT PART NO.	ESCORT 12 DIGIT	SUPERSEDED PART NO.	REMARKS
1	947030083000	PLUG SPARK	1	000024103		947000081200	
2	36LE11270000	ABSORBER-3	6	1L1520006			
3	36LE11280000	ABSORBER-4	2	1L1520007			
4	36LE11110000	HEAD CYLINDER 1	1	1L1520002			
5	36LE11810000	GASKET CYL HEAD 1	1	1L1520001			
6	901790841000	NUT	4	000004309	1L1520009X00	901790882300	
7	901160839300	BOLT STUD	4	1L1520011			
8	36LE13111000	BODY CYL 1.RX100	1	1L1520100			
9	36LE11610000	ABSORBER-1	4	1L1520004			
10	36LE11620000	ABSORBER-2	4	1L1520005			
11	36LE13510000	GASKET CYLINDER	1	1L1520003			
12	901791081200	NUT	4	1L1520008			
13	901161027800	BOLT STUD	4	1L1520010			

NOTE :-

- 1) Requested to create the parts order in existing part no. i.e in 12 digit
- 2) Part numbers having no symbol in remarks column indicates its serviceability
- A) Part nos with symbol (Δ) are serviceable till stock
- B) Part nos with symbol (#) are not serviceable due to constraints

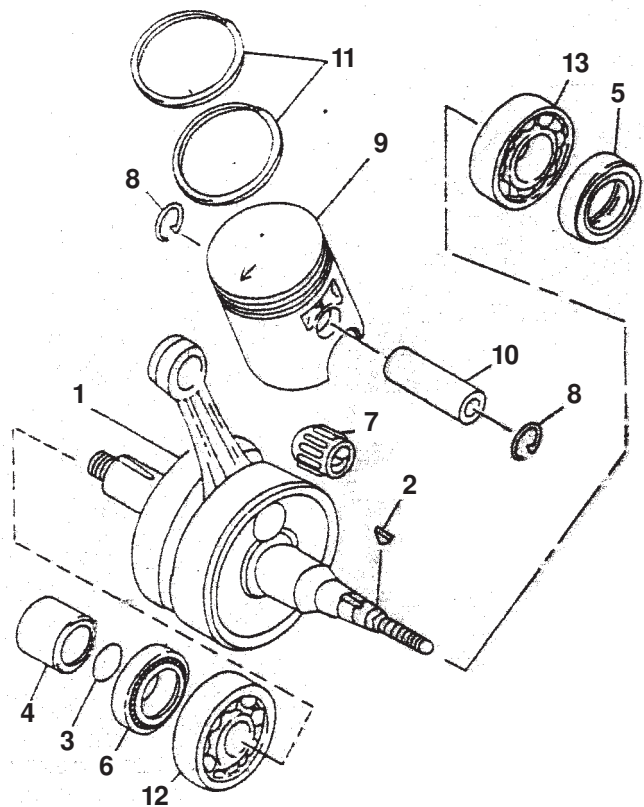
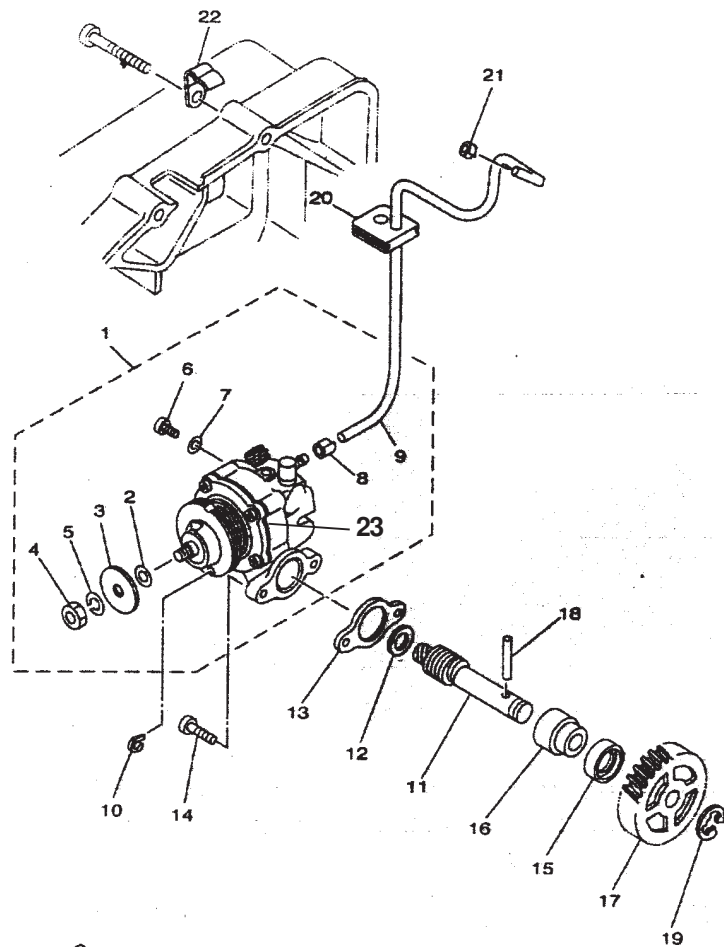


FIG.2 CRANKSHAFT,PISTON

REF. NO.	EXISTING PART NO.	PART NAME	36L0	9 DIGIT PART NO.	ESCORT 12 DIGIT	SUPERSEDED PART NO.	REMARKS
1	36LE14000900	CRANKSHAFT ASSY	1	1L1540100		36LE14000000	
2	902800301700	KEY WOODRUFF	1	1L1540001			
3	932101802300	O RING	1	1L1540002			
4	90387205E900	COLLAR	1	1L1540003			
5	931022580700	OIL SEAL	1	1L1540006			
6	931032880000	OIL SEAL	1	1L1540007			
7	93310214Y200	BEARING	1	1L1541300			
8	934501509000	CIRCLIP	2	1L1540009			
9	36LE16310100	PISTON STD	1	1L1540300		36LE16310000	#
	36LE16350000	PISTON I/O/S	1	1L1540400	1L1540400X00		#
	36LE16360000	PISTON O/S 2ND	1	1L1540500	1L1540500X00		#
	36LE16370000	PISTON O/S 3RD	1	1L1540600	1L1540600X00		#
	36LE16380000	PISTON O/S IV	1	1L1540700	1L1540700X00		#
10	36LE16330000	PIN PISTON	1	1L1540008			
11	36LE16030000	RING PISTON STD	1	1L1540800	1L1540800X00		
	36LE16040000	RING PISTON SET 1ST O/S	1	1L1540900	1L1540900X00		
	36LE16050000	RING PISTON SET 2ND O/S	1	1L1541000	1L1541000X00		
	36LE16060000	RING PISTON SET 3RD O/S	1	1L1541100	1L1541100X00		
	36LE16070000	RING PISTON SET IV O/S	1	1L1541200	1L1541200X00		
12	93306304Y200	BEARING(6204)	1	1L1540005			
13	93306205Y000	BEARING(6205)	1	1L1540004			

NOTE :-

- 1) Requested to create the parts order in existing part no. i.e in 12 digit
- 2) Part numbers having no symbol in remarks column indicates its serviceability
- A) Part nos with symbol (Δ) are serviceable till stock
- B) Part nos with symbol (#) are not serviceable due to constraints



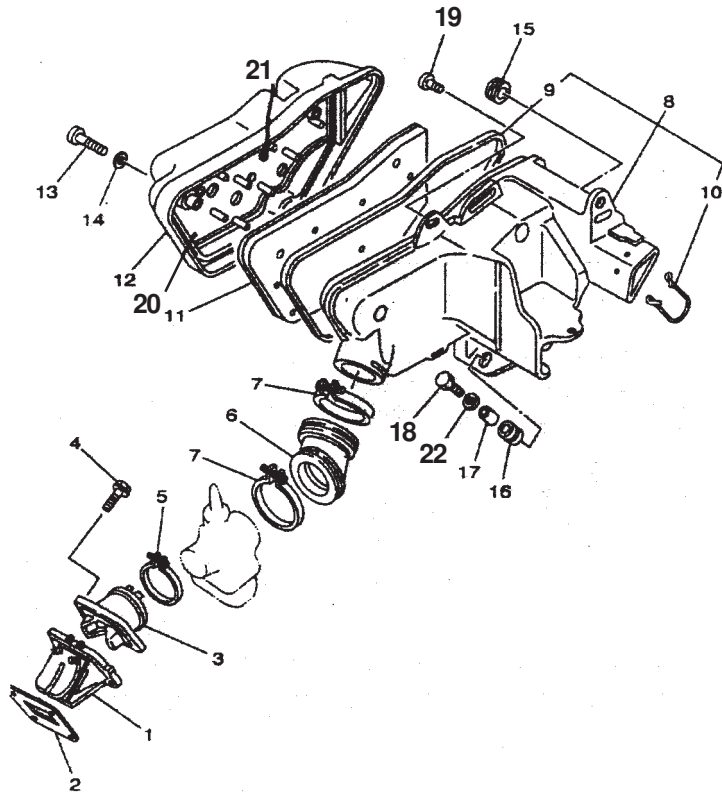
36L0470-4031

FIG.3 OIL PUMP

REF. NO.	EXISTING PART NO.	PART NAME	36L0	9 DIGIT PART NO.	ESCORT 12 DIGIT	SUPERSEDED PART NO.	REMARKS
1	36LE31000100	OIL PUMP ASSY	1	1L1630200		36LE31100000	
2	36LE31370003	SHIM PLUNGER	1	1A1630115	1A1630115C00		#
	36LE31370005	SHIM PLUNGER	1	1A1630116	1A1630116C00		#
	36LE31370010	SHIM PLUNGER	1	1A1630117	1A1630117C00		#
3	36LE31380000	PLATE ADJUSING	1	1A1630113	1A1630113C00		Δ
4	9530M0560000	NUT HEX	1	000004105		9530N0560000	
5	9290N0510000	SPRING WASHER 5.5	1	000005110		929070510000	
6	9890N0400800	SCREW BIND	1	000032701		000032701C00	#
7	904300400400	GASKET	1	1A1630104			
8	904680203300	CLIP	1	1L1630008			
9	904450526600	HOSE(L290)	1	1L1630101			
10	36LE31460000	COVER ADJUST PULLEY	1	1L1630001			
11	36LE31750100	SHAFT WORM	1	1L1630002	& 1A1630003	1L1630002X00	
12	902010862400	WASHER PLATE	1	1A1630002			
13	36LE31160000	GASKET PUMP CASE	1	1A1630006			
14	985070501400	CRPH SCREW	2	000032265		9850N0501400	
15	931011080600	OIL SEAL	1	1A1630005			
16	36LE31760000	BUSH SPACING	1	1A1630004			
17	36LE31780000	GEAR,PUMP DRIVE	1	1L1630003			
18	936032280500	PIN DOWEL	1	1A1590013	1A159001C00		
19	934300881000	CIRCLIP	1	000016311			
20	36LE31740000	HOLDER OIL PIPE	1	1L1630004			
21	904680203300	CLIP	1	1L1630008			
22	904611007100	CLAMP	1	1L1630005			
23.	931041480800	OIL SEAL(BIG)	1	1A1630604			

NOTE :-

- 1) Requested to create the parts order in existing part no. i.e in 12 digit
- 2) Part numbers having no symbol in remarks column indicates its serviceability
- A) Part nos with symbol (Δ) are serviceable till stock
- B) Part nos with symbol (#) are not serviceable due to constraints




 6664-B040

FIG. 4 INTAKE

REF. NO.	EXISTING PART NO.	PART NAME	36LO	9 DIGIT PART NO.	ESCORT 12 DIGIT	SUPERSEDED PART NO.	REMARKS
1	36LE36100000	REED VALVE ASSY	1	1L1140100			
2	36LE36210000	GASKET REED VALVE	1	1A1520005			
3	36LE35650000	MANI FOLD(JOINT,CARBURETOR)	1	1A1520100			
4	9750N0652500	BOLT HEX WITH WASHER	4	000202107	000202107X00	975070652500	
5	904604305300	CLAMP ASSY(HOSE)	1	1A1520600			
6	36LE44530000	JOINT,AIR CLEANER 1	1	1L1140002			
7	904604905800	CLAMP HOSE	2	1L1140700		904605105900	
8	36LE44010000	FILTER CASE ASSY	1	1L1140400			
9	36LE44760100	SEAL	1	1L1140401		36LE44760000	
10	36LE44240000	CLIP,CAP FITTING	1	1L1140402			
11	36LE44510100	FILTER ELEMENT 1	1	1L1140301			
12	36LE44020000	CAP CASE ASSY	1	1L1140600			
13	9850N0604000	SCREW CHEESE HEAD	3	000034227		985070604000	
14	929070620000	WASHER PLAIN	3	000006304	000006304R00	9290N0620000	
15	904801205300	GROMMET	1	1L1140003	1L1140003X00		
16	904801410200	GROMMET	1	1L1140004			
17	903870739000	COLLAR	1	1L1140001			
18	9700N0602500	BOLT M6X25	1	0000002107		970070602500	
19	9850N0601600	PAN HEAD SCREW (C)	1	000034222			
20	36LE44840000	PLATE CLEANER SIDE	1	1L1140602			#
21	9760N0611600	SCREW TAPPING	2	000033813	000033813X00	9770N0611600	
22	902010685700	PLAIN WASHER	2	000006407			

NOTE :-

- 1) Requested to create the parts order in existing part no. i.e in 12 digit
- 2) Part numbers having no symbol in remarks column indicates its serviceability
- A) Part nos with symbol (Δ) are serviceable till stock
- B) Part nos with symbol (#) are not serviceable due to constraints

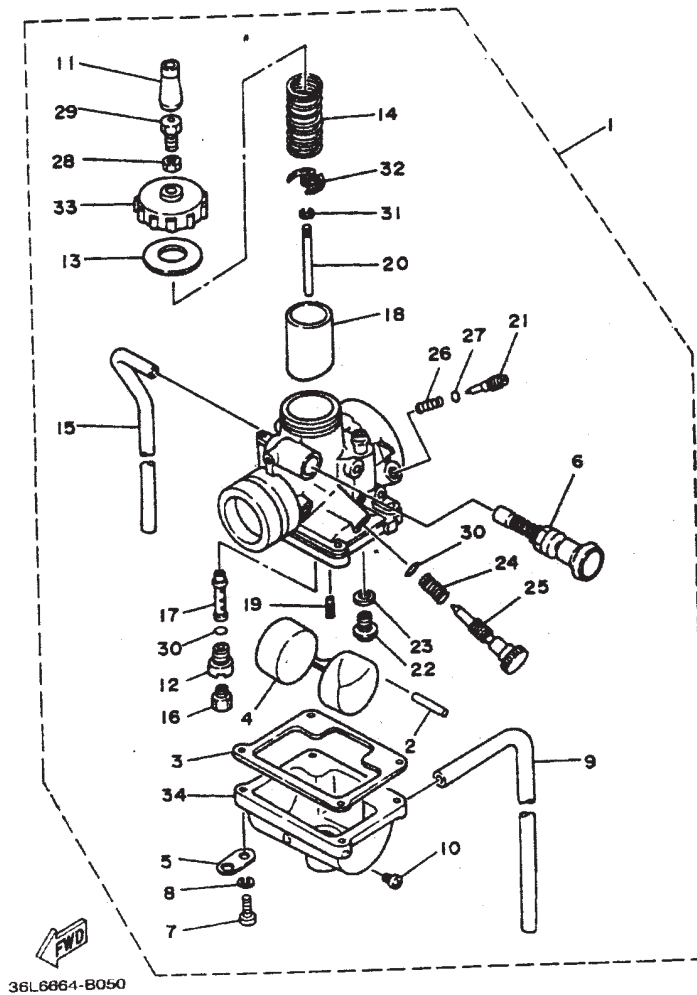


FIG. 5 CARBURETOR

REF. NO.	EXISTING PART NO.	PART NAME	36L0	9 DIGIT PART NO.	ESCORT 12 DIGIT	SUPERSEDED PART NO.	REMARKS
1	36LE41010000	CARBURETTOR ASSY 1	1	1L1560000			Δ
2	36LE41860000	PIN FLOAT	1	1L1560001			Δ
3	36LE41840000	GASKET FLOAT CHAMBER	1	1L1560002	1L1560002X00		Δ
4	36LE41850000	FLOAT	1	1L1560300			Δ
5	36LE41460000	PLATE	1	1L1560004	1L1560004X00		Δ
6	36LE41710000	PLUNGER STARTER	1	1L1560400			Δ
7	985170401600	SCREW PAN HEAD	4	000034211			#
8	9290N0410000	SPRING WASHER	4	000005102			Δ
9	36LE41960000	PIPE OVER FLOW	1	1L1560006			Δ
10	36LE41910000	SCREW(PLUG,DRAIN)	1	1L1560007			Δ
11	36LE41690000	CAP	1	1L1560008			Δ
12	36LE41450000	SETTER NEEDLE JET	1	1L1560009	1L1560009X00		Δ
13	36LE41260000	GASKET	1	1L1560010	1L1560010X00		Δ
14	36LE41310000	SPRING THROTTLE	1	1L1560011			Δ
15	36LE41960000	PIPE AIR BENT	1	1L1560012		36LE41970000	Δ
16	36LE41432300	JET MAIN (#)115	1	1L1560013			Δ
17	36LE41412800	NOZZLE MAIN	1	1L1560014			Δ
18	36LE41122000	VALVE THROTTLE 1	1	1L1560015			Δ
19	36LE41420000	JET PILOT(# 20)	1	1L1560016			Δ
20	36LE41160200	NEEDLE JET	1	1L1560017			Δ
21	36LE41230000	SCREW, AIR ADJUSTING	1	1L1560018	1L1560018X00		Δ
22	36LE41902000	NEEDLE VALVE ASSY	1	1L1560500			Δ
23	36LE41950000	WASHER, NEEDLE VALVE	1	1L1560020			Δ
24	36LE41330000	SPRING, THROTTLE STOP	1	1L1560021	1L1560021X00		Δ
25	36LE41220000	SCREW THROTTLE	1	1L1560022	1L1560022X00		Δ
26	36LE41340000	SPRING AIR ADJUSTING	1	1L1560023			Δ
27	36LE41471000	O RING	1	1L1560024	1L1560024X00		Δ

NOTE :-

- 1) Requested to create the parts order in existing part no. i.e in 12 digit
- 2) Part numbers having no symbol in remarks column indicates its serviceability
- A) Part nos with symbol (Δ) are serviceable till stock
- B) Part nos with symbol (#) are not serviceable due to constraints

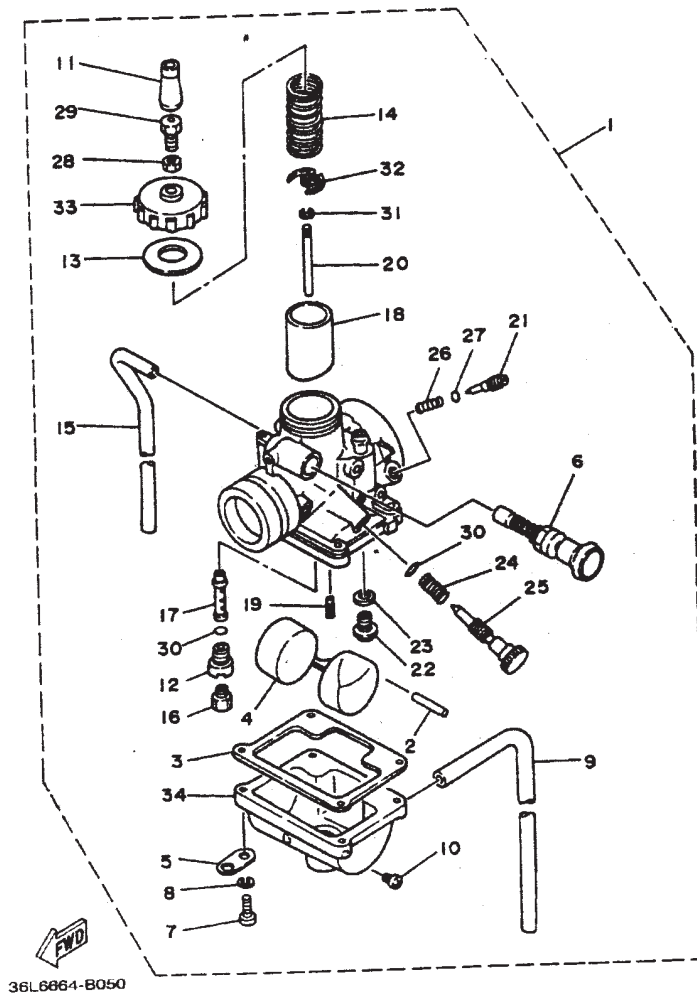
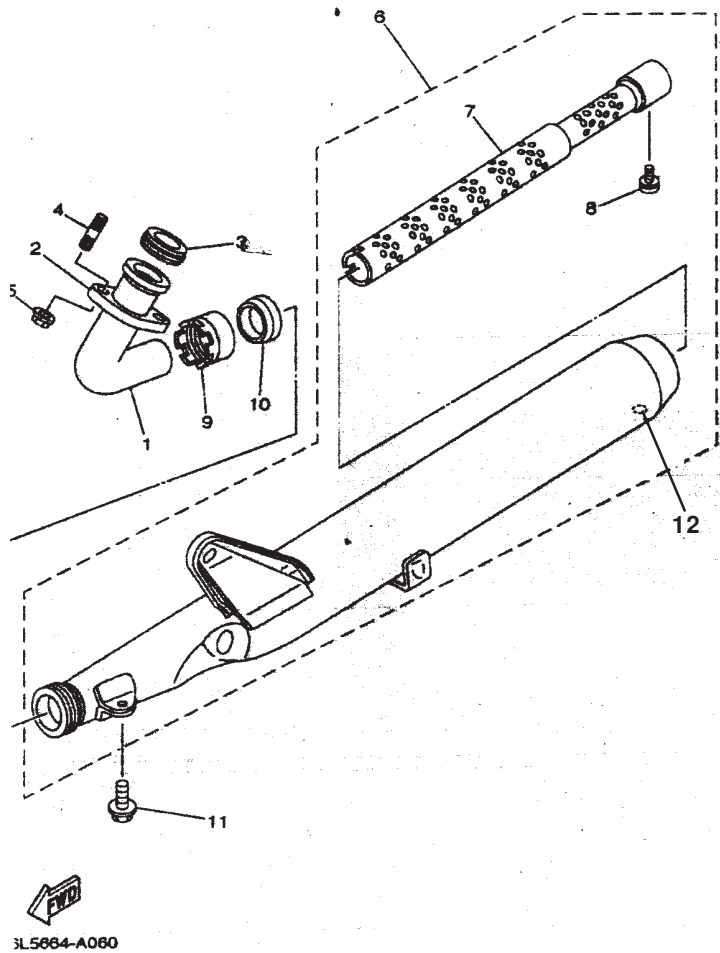


FIG. 5 CARBURETOR

REF. NO.	EXISTING PART NO.	PART NAME	36L 01	9 DIGIT PART NO.	ESCORT 12 DIGIT	SUPERSEDED PART NO.	REMARKS
28	36LE41610000	NUT, WIRE ADJUSTING	1	1L1560025			Δ
29	36LE41240000	SCREW WIRE ADJUSTING	1	1L1560026			Δ
30	36LE41470000	O RING	1	1L1560019			Δ
31	36LE41370000	CLIP		1L1560005			Δ
32	36LE41360000	SEAT SPRING	1	1L1560003			Δ
33	36LE41580000	TOP MIXING CHAMBER	1	1L1560027			Δ
34	36LE41810000	BODY FLOAT CHAMBER	1	1L1560200			Δ

NOTE :-

- 1) Requested to create the parts order in existing part no. i.e in 12 digit
- 2) Part numbers having no symbol in remarks column indicates its serviceability
- A) Part nos with symbol (Δ) are serviceable till stock
- B) Part nos with symbol (#) are not serviceable due to constraints



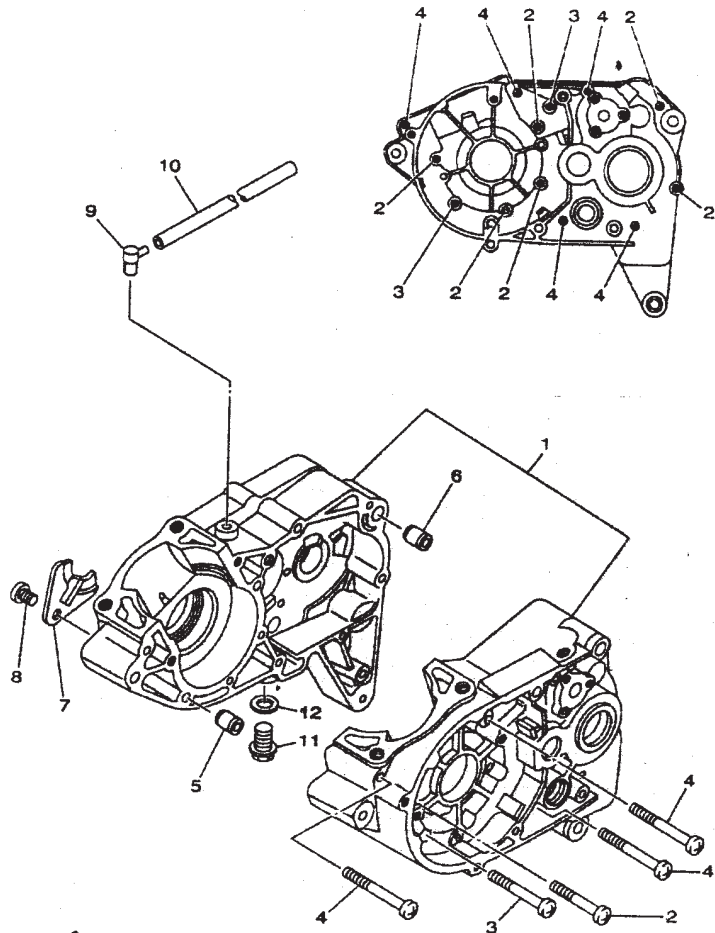
3L5864-A080

FIG. 6 EXHAUST

REF. NO.	EXISTING PART NO.	PART NAME	36L0	9 DIGIT PART NO.	ESCORT 12 DIGIT	SUPERSEDED PART NO.	REMARKS
1	36LE46110000	PIPE, EXHAUST 1	1	1L1130100			
2	36LE46120000	NUT, RING	1	1L1130001			
3	36LE46130000	GASKET, EXHAUST PIPE	1	1A1130002			
4	901160816600	BOLT STUD	2	1A1130003			
5	957070850000	NUT FLANGE	2	1L1010006			
6	36LE47101000	MUFFLER ASSY 1	1	1L1130200		36LE47102000	
7	36LE47530000	SILENCER EXHAUST	1	1L1130400			
8	9760N0611600	SCREW TAPPING	1	000032712	000032712C00		#
9	36LE47130000	NUT MUFFLER JOINT	1	1A1130005			
10	36LE47140000	GASKET MUFFLER JOINT	1	1L1130002			
11	9580N0801600	BOLT FLANGE	1	000002602			
12	36LE48620000	PLUG SILENCER	1	1A1130006			

NOTE :-
 1) Requested to create the parts order in existing part no. i.e in 12 digit
 2) Part numbers having no symbol in remarks column indicates its serviceability
 A) Part nos with symbol (Δ) are serviceable till stock
 B) Part nos with symbol (#) are not serviceable due to constraints

FIG. 7 CRANKCASE



SJV1261-9070

NOTE :-

- 1) Requested to create the parts order in existing part no. i.e in 12 digit
- 2) Part numbers having no symbol in remarks column indicates its serviceability
- A) Part nos with symbol (Δ) are serviceable till stock
- B) Part nos with symbol (#) are not serviceable due to constraints

REF. NO.	EXISTING PART NO.	PART NAME	36L0	9 DIGIT PART NO.	ESCORT 12 DIGIT	SUPERSEDED PART NO.	REMARKS
1	36LWE5150000	CRANKCASE SET	1	1L1661700	1L1661700X00		
2	9850N0604500	SCREW PAN HEAD	6	000034228		985070804500	
3	9850N0605500	SCREW PAN HEAD	2	000034229		985070605500	
4	9850N0606500	SCREW CHEESE HEAD	5	000034230		985070606500	
5	918101480400	PIN DOWEL	2	1L1550001	1L1550001X00	918302101400	
6	995301401600	PIN DOWEL	1	1L1550002			
7	36LE51280000	HOLDER	1	1L1550003			
8	9850N0801000	SCREW CHEESE HEAD	1	000034231		985070801000	
9	36LE53710000	BREA THER	1	1A1550005			
10	904460700900	HOSE	1	1L1550004			
11	903401200500	PLUG STRAIGHT SCREW	1	1L1550005			
12	904301220700	GASKET	1	1L1550006			

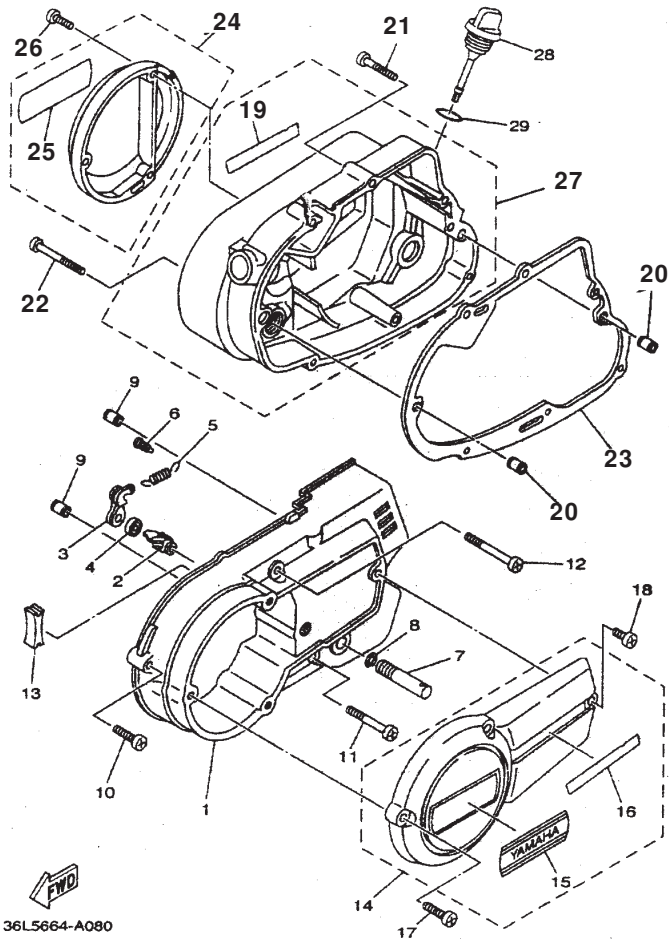


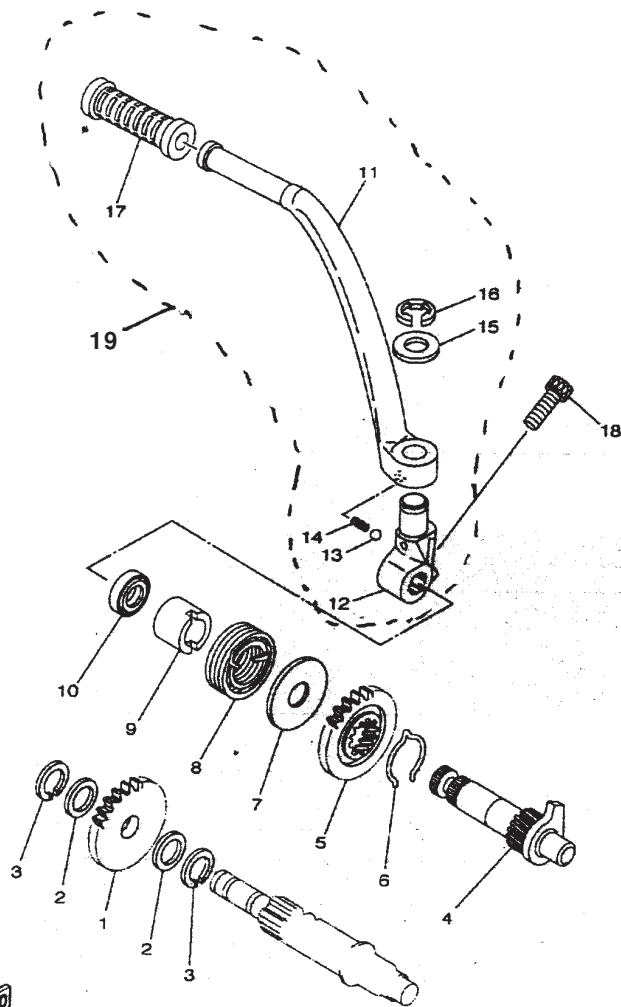
FIG. 8 CRANKCASE 1

REF. NO.	EXISTING PART NO.	PART NAME	36LO	9 DIGIT PART NO.	ESCORT 12 DIGIT	SUPERSEDED PART NO.	REMARKS
1	36LE54110000	COVER CRANK CASE	1	1L1550007			
2	36LE63410000	SCREW PUSH	1	1L1570011			
3	36LE63420000	LEVER PUSH	1	1L1570500			
4	931041180600	OIL SEAL	1	1L1570012			
5	905061006900	SPRING TENSION	1	1A1570010			
6	36LE63460000	HOOK SPRING	1	1A1570011			
7	36LE81880000	AXLE PAWL HOLDER	1	1L1600018			
8	934401102900	CIRCLIP	1	1L1600019			
9	918101480400	PIN DOWEL	2	1L1550001		918302101400	
10	9850N0603000	SCREW PAN HEAD	2	000034225		985070603000	
11	9850N0604500	SCREW PAN HEAD	7	000034228		985070604500	
12	9850N0605500	SCREW PAN HEAD	4	000034229		905070605500	
13	36LE53570000	GROMMET	1	1L1550008			
14	36LE54150000	COVER 1 LH	1	1L1550400			
15	36LE54350000	EMBLEM	1	1L1550402			
16	36LE54430000	EMBLEM	1	1L1550403			
17	9850N0602500	SCREW PAN HEAD	3	000034224			
18	9850N0601600	PAN HEAD SCREW (C)	1	000034222			
19	36LE54470000	EMBLEM	1	1L1550502			
20	918101480400	PIN DOWEL	2	1L1550001		918302101400	
21	9850N0603500	SCREW PAN HEAD	6	000034226		985070603500	
22	9850N0605500	SCREW PAN HEAD	4	000034229		985070605500	
23	36LE54510000	GASKET CRANK CASE COVER RH	1	1L1550009			
24	36LE54900000	PUMP COVER ASSY	1	1L1550600			
25	36LE54350000	EMBLEM	1	1L1550402			
26	9850N0602500	SCREW PAN HEAD	3	000034224			
27	36LE54210000	COVER CRANK CASE 2	1	1L1550501		36LWE5420000	
28	36LE53620000	PLUG OIL LEVEL	1	1L1550300			
29	932101980900	O RING	1	1L1550010			

NOTE :-

- 1) Requested to create the parts order in existing part no. i.e in 12 digit
- 2) Part numbers having no symbol in remarks column indicates its serviceability
- A) Part nos with symbol (Δ) are serviceable till stock
- B) Part nos with symbol (#) are not serviceable due to constraints

FIG. 9 STARTER



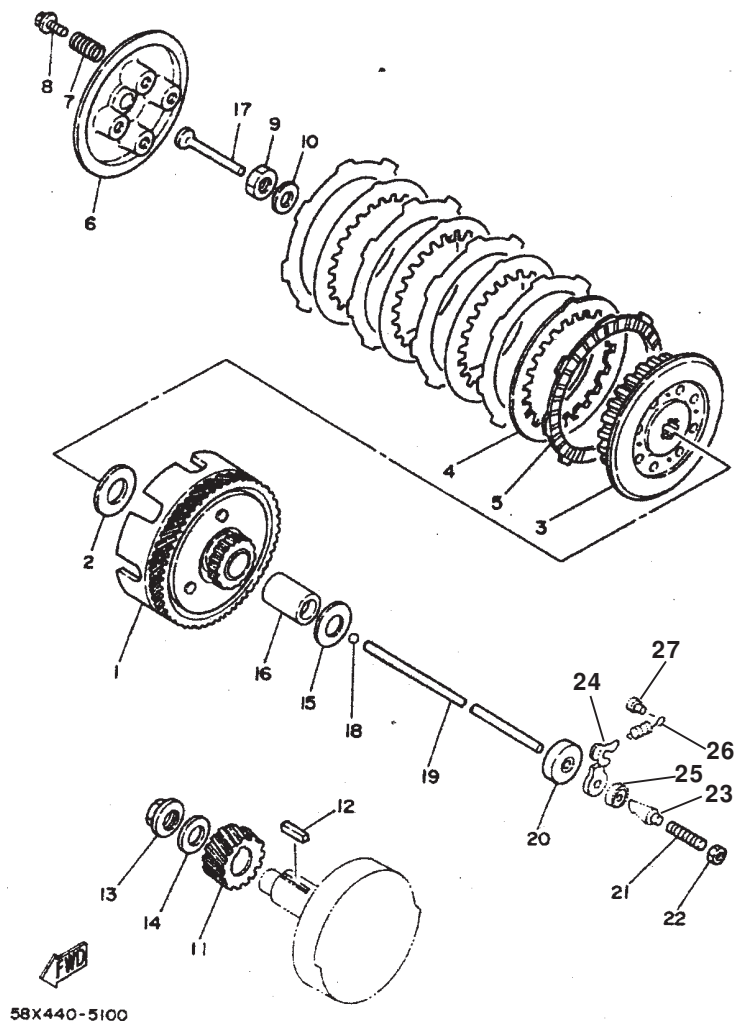
FWD
36L5664-A090

REF. NO.	EXISTING PART NO.	PART NAME	36L0	9 DIGIT PART NO.	ESCORT 12 DIGIT	SUPERSEDED PART NO.	REMARKS
1	36LE56510000	GEAR SPROCKET IDLE (GEAR,KICK IDLE)	1	1L1610001			
2	902011582700	WASHER PLAIN(PLATE)	2	1L1610002			
3	934401580200	CIRCLIP	2	000016203			
4	5URE56610000	KICK AXLE ASSY	1	1L1610100			
5	36LE56410000	GEAR KICK	1	1L1610003			
6	904682604800	CLIP	1	1L1610004			
7	36LE56760000	COVER SPRING	1	1L1610005			
8	905082648400	SPRING TORSION	1	1L1610006			
9	36LE56660000	SPACER	1	1L1610007			
10	931011780700	OIL SEAL	1	1L1610008			
11	36LE56110000	CRANK KICK	1	1L1610201			
12	4TLE56210000	BOSS KICK CRANK	1	1L1610202		36LE56210000	
13	935073281900	BALL (SIZE-5.556MM)	1	000012108			
14	905011208100	SPRING COMPRESSION	1	1A1610015			
15	902011580900	WASHER PLAIN	1	1A1610017		90201153A100	
16	934301081100	CIRCLIP	1	000016310			
17	36LE56180000	COVER KICK LEVER	1	1A1610006			
18	913170802500	BOLT	1	000032817	000032817C00	9131N0802500	
19	36LE56200000	KICK CRANK ASSY	1	1L1610200			

NOTE :-

- 1) Requested to create the parts order in existing part no. i.e in 12 digit
- 2) Part numbers having no symbol in remarks column indicates its serviceability
- A) Part nos with symbol (Δ) are serviceable till stock
- B) Part nos with symbol (#) are not serviceable due to constraints

FIG.10 CLUTCH

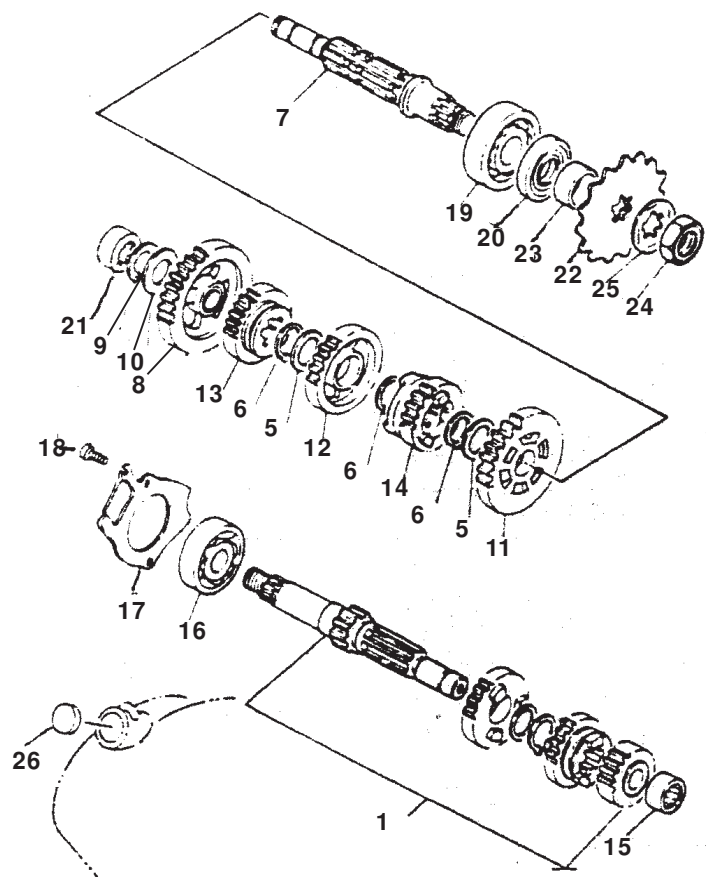


REF. NO.	EXISTING PART NO.	PART NAME	36L0	9 DIGIT PART NO.	ESCORT 12 DIGIT	SUPERSEDED PART NO.	REMARKS
1	36LE61500000	DRIVEN GEAR ASSY(PRIMARY DRIVEN GEAR COMP.)	1	1L1570200			
2	36LE61540000	PLATE THRUST 1	1	1L1570101			
3	36LE63710000	BOSS CLUTCH	1	1L1570102			
4	5REE63240000	PLATE CLUTCH 1	4	1L1570103		36LE63240000	
5	5KAE63211000	PLATE FRICTION	5	1L1570400		36LE63210000	
6	36LE63510000	PLATE PRESSURE 1	1	1L1570104			
7	905012056800	SPRING COMPRESSION	4	1L1570105			
8	901190580100	BOLT WITH WASHER	4	000202258	000202258X00		
9	901701206000	NUT HEXAGON	1	1L1570001			
10	902081201500	WASHER CONICAL SPRING	1	1L1570002			
11	401161110000	GEAR PRIMARY DRIVE	1	1L1570003		36LE61110000	
12	902820500500	KEY STRAIGHT	1	1L1570004	1L1570004X00		
13	901791280000	NUT	1	1L1570005			
14	902081201500	WASHER CONICAL SPRING	1	1L1570002			
15	902011755800	WASHER PLATE	1	1L1570006			
16	905601714700	SPACER	1	1L1570007			
17	36LE63560000	ROD PUSH 1	1	1L1570008			
18	935031680700	BALL	1	000012101		935031680600	
19	36LE63570000	ROD PUSH 2	1	1L1570009			
20	931090580400	OIL SEAL	1	1L1570010			
21	901130601300	BOLT SET	1	1L1570013			
22	953170660000	NUT	1	000004107		9530N0660000	
23	36LE63410000	SCREW PUSH	1	1L1570011			
24	36LE63420000	LEVER PUSH	1	1L1570500			
25	931041180600	OIL SEAL	1	1L1570012			
26	905061006900	SPRING TENSION	1	1A1570010			
27	36LE63460000	HOOK SPRING	1	1A1570011			

NOTE :-

- 1) Requested to create the parts order in existing part no. i.e in 12 digit
- 2) Part numbers having no symbol in remarks column indicates its serviceability
- A) Part nos with symbol (Δ) are serviceable till stock
- B) Part nos with symbol (#) are not serviceable due to constraints

FIG.11 TRANSMISSION

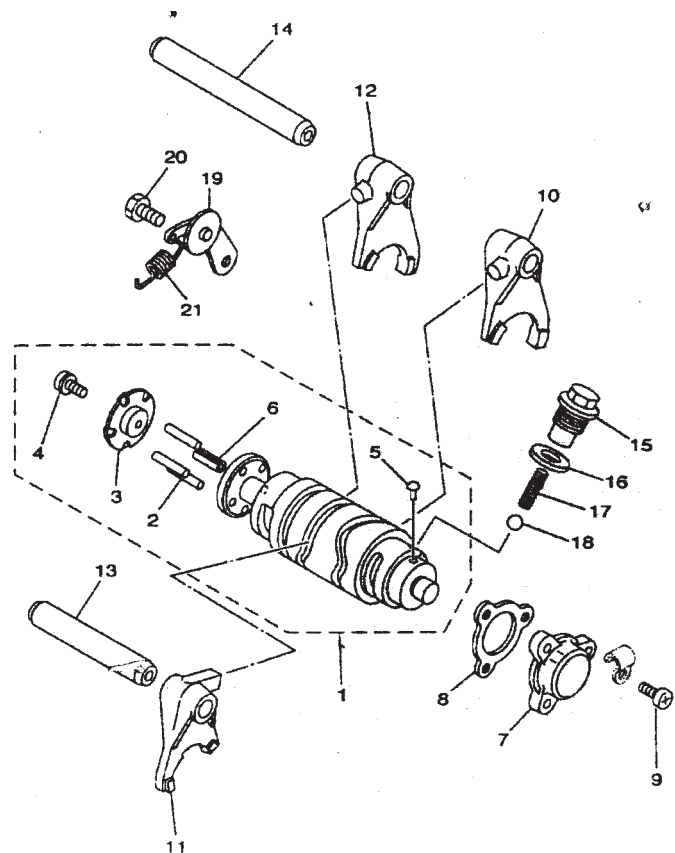


REF. NO.	EXISTING PART NO.	PART NAME	36LO	9 DIGIT PART NO.	ESCORT 12 DIGIT	SUPERSEDED PART NO.	REMARKS
1	36LXE7410000	AXLE MAIN ASSY	1	1L1580200			
②	36LE71210000	GEAR,2ND PINION	1	1L1580011			#
③	36LE71310000	GEAR.3RD PINION	1	1L1580012			#
④	36LE71410000	GEAR,4TH PINION	1	1L1580013			#
5	902012026600	WASHER PLATE(1.0T)	3	1A1580010	1A1580010C00		
6	934102080900	CIRCLIP	4	1L1580014			
7	36LE74210000	AXLE DRIVE	1	1L1580015			
8	36LE72110100	GEAR FIRST WHEEL	1	1L1580100			
9	934401580200	CIRCLIP	1	000016203			
10	902011582800	WASHER PLATE	1	1L1580016			
11	36LE72210000	GEAR SECOND WHEEL(30T)	1	1L1580017			
12	36LE72310000	GEAR THIRD WHEEL(26T)	1	1L1580018			
13	36LE72410000	GEAR 4TH Z23 WHEEL(23T)	1	1L1580019			
14	36LE72850000	CLUTCH DOG	1	1L1580007			
15	93311315Y000	BEARING	1	1L1580004			
16	93306303Y100	BEARING-6303 ZR	1	000013403	1L1580006X00		
17	36LE74710000	PLATE COVER	1	1L1580006			
18	9850N0601200	SCREW PAN HEAD	2	000034221			Δ
19	93306304Y100	BEARING 6304	1	1L1580003			
20	931022680500	OIL SEAL	1	1L1580002			
21	93311315Y000	BEARING	1	1L1580004			
22	938221580800	SPROCKET DR Z15	1	1L1580001		36LE74615000	
23	903872049100	COLLAR	1	1L1580008			
24	901791622600	NUT	1	1L1580009			
25	902151612700	WASHER TONGUED	1	1L1580020			
26	903381980200	PLUG	1	1L1580022			

NOTE :-

- 1) Requested to create the parts order in existing part no. i.e in 12 digit
- 2) Part numbers having no symbol in remarks column indicates its serviceability
- A) Part nos with symbol (Δ) are serviceable till stock
- B) Part nos with symbol (#) are not serviceable due to constraints

FIG.12 SHIFT CAM,FORK

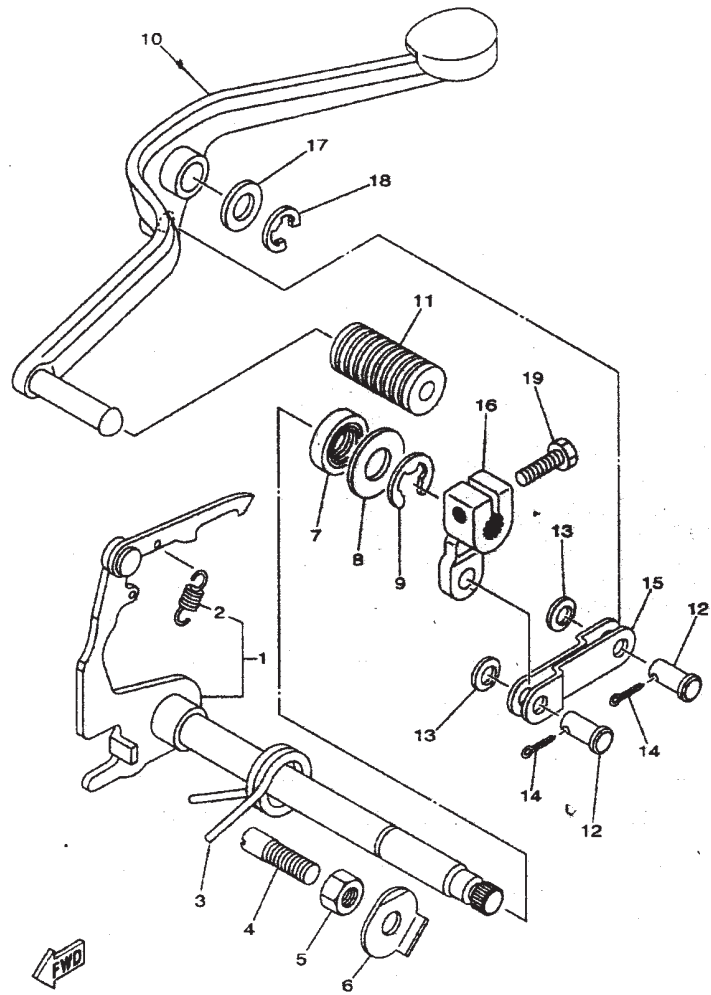


6664-B120

REF. NO.	EXISTING PART NO.	PART NAME	36L0	9 DIGIT PART NO.	ESCORT 12 DIGIT	SUPERSEDED PART NO.	REMARKS
1	36LE85400200	SHAFT CAM ASSY	1	1L1600100	1L1600100X00		
2	936042280600	PIN DOWEL	3	1A1600009			Δ
3	36LE85610000	PLATE SLIDE-I	1	1L1600102	1L1600102X00		
4	976070511200	SCREW, PAN HEAD WITH WASHER	1	000034216,000005110	000034216X00	9760N0511200	
5	36LE85420000	POINT	1	1L1600103	1L1600103X00		
6	916095001600	PIN SPRING	1	000062110	000062110X00		#
7	4TLE85890000	PLUG BLIND	1	1L1600001			
8	36LE85790000	GASKET	1	1L1600002			
9	9850N0600800	SCREW PAN HEAD	3	000034220		985070600800	
10	36LE85110000	FORK SHIFT 1	1	1L1600003			
11	36LE85120000	FORK SHIFT-2	1	1L1600004			
12	36LE85130000	FORK SHIFT-3	1	1L1600005			
13	36LE85310000	BAR SHIFT FORK GUIDE	1	1L1600006			
14	36LE85350000	BAR SHIFT FORK GUIDE	1	1L1600007			
15	901091438500	BOLT	1	1L1600008			
16	36LE53530000	GASKET	1	1A1600026			
17	905011035300	SPRING COMPRESSION	1	1L1600009			
18	935051681400	BALL	1	000012103			Δ
19	36LE81400000	STOPPER LEVERASSY	1	1L1600300			
20	901090680600	BOLT	1	1L1600015		901090600100	
21	905060980900	SPRING TENSION	1	1L1600016			

NOTE :-

- 1) Requested to create the parts order in existing part no. i.e in 12 digit
- 2) Part numbers having no symbol in remarks column indicates its serviceability
- A) Part nos with symbol (Δ) are serviceable till stock
- B) Part nos with symbol (#) are not serviceable due to constraints



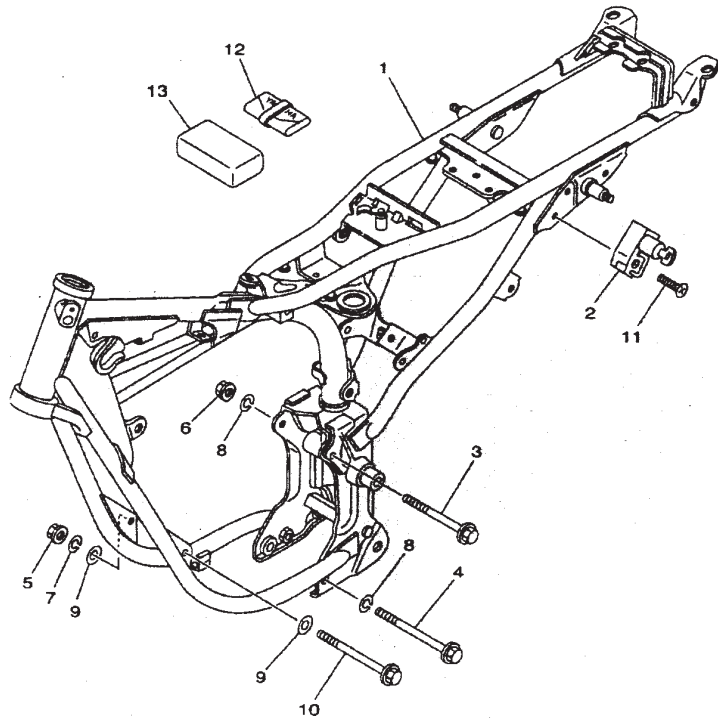
36L5664-A130

FIG.13 SHIFT SHAFT

REF. NO.	EXISTING PART NO.	PART NAME	36L0	9 DIGIT PART NO.	ESCORT 12 DIGIT	SUPERSEDED PART NO.	REMARKS
1	36LXE8110000	SHIFT SHAFT ASSY	1	1L1600200	1L1600200C00	36LE81010000	
2	905060881800	SPRING TENSION	1	1L1600205			
3	905083281100	SPRING TORSION	1	1L1600010			
4	901490809400	SCREW	1	1L1600011			
5	901700802900	NUT HEXAGON	1	1L1600020			
6	902150801400	WASHER TONGUED	1	1L1600012			
7	931091480300	OIL SEAL	1	1L1600013			
8	902011458600	WASHER PLATE	1	1L1600014			
9	934301281200	CIRCLIP C-12	1	000016305		934301280900	
10	36LE81110000	PEDAL SHIFT	1	1L1600500			
11	36LE81130000	COVER SHIFT PEDAL	1	1A1600030			
12	902400805300	PIN W/HOLE	2	1L1600401			
13	902010808500	WASHER PLAIN	2	1L1600402			
14	914011601200	PIN SPLIT	2	000009116	000009116X00		
15	36LE81150000	ROD SHIFT	1	1L1600600			
16	36LE81120000	ARM SHIFT	1	1L1600700			
17	90201122H200	WASHER PLATE	1	1L1600017			
18	934301081100	CIRCLIP	1	000016310			
19	9700N0602500	BOLT	1	000002106		9702N0602200	

NOTE :-

- 1) Requested to create the parts order in existing part no. i.e in 12 digit
- 2) Part numbers having no symbol in remarks column indicates its serviceability
- A) Part nos with symbol (Δ) are serviceable till stock
- B) Part nos with symbol (#) are not serviceable due to constraints



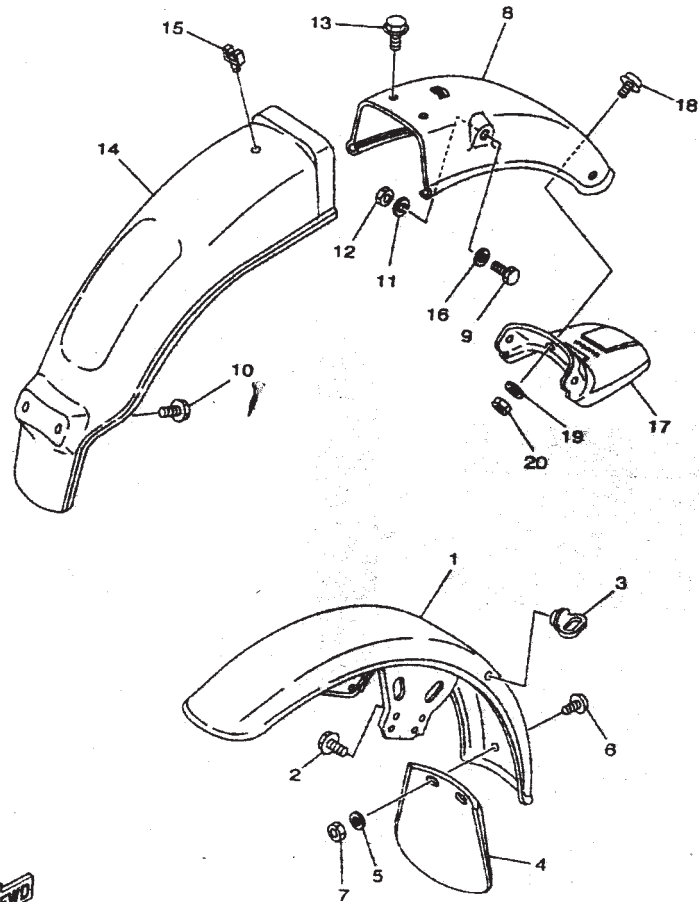
36L6664-B140

FIG. 14 FRAME

REF. NO.	EXISTING PART NO.	PART NAME	36L0	9 DIGIT PART NO.	ESCORT 12 DIGIT	SUPERSEDED PART NO.	REMARKS
1	4TLF11100100	FRAME COMP.	1	1L1010100		36LF11100000	
2	36LF13980100	HANGER,HELMET	1	1L1012400		36LF1398V100	
3	901051008900	BOLT,FLG.	1	1L1010004			
4	901051004000	BOLT,FLG.	1	1L1010005			
5	957070850000	NUT,FLG.	1	1L1010006		9570N0850000	
6	9570N1050000	NUT,FLG.	1	1L1010007		957071050000	
7	9290N0810000	WASHER,SPRING	1	000005106	000005106C00	929070810000	
8	9290N1010000	WASHER,SPRING	2	000005107		929071010000	
9	929090805000	WASHER	2	1L1010003		902090805000	
10	901050809900	BOLT,FLG.	1	1L1010002	1L1010002X00		
11	9870N0603000	SCREW,FLAT	1				#
12	36LF81001000	TOOL KIT	1	1L1150100	1L1150100X00	36LF81000000	
13	36LF81110000	BAG TOOL	1	1L1150101			#

NOTE :-
 1) Requested to create the parts order in existing part no. i.e in 12 digit
 2) Part numbers having no symbol in remarks column indicates its serviceability
 A) Part nos with symbol (Δ) are serviceable till stock
 B) Part nos with symbol (#) are not serviceable due to constraints

FIG. 15 FENDER

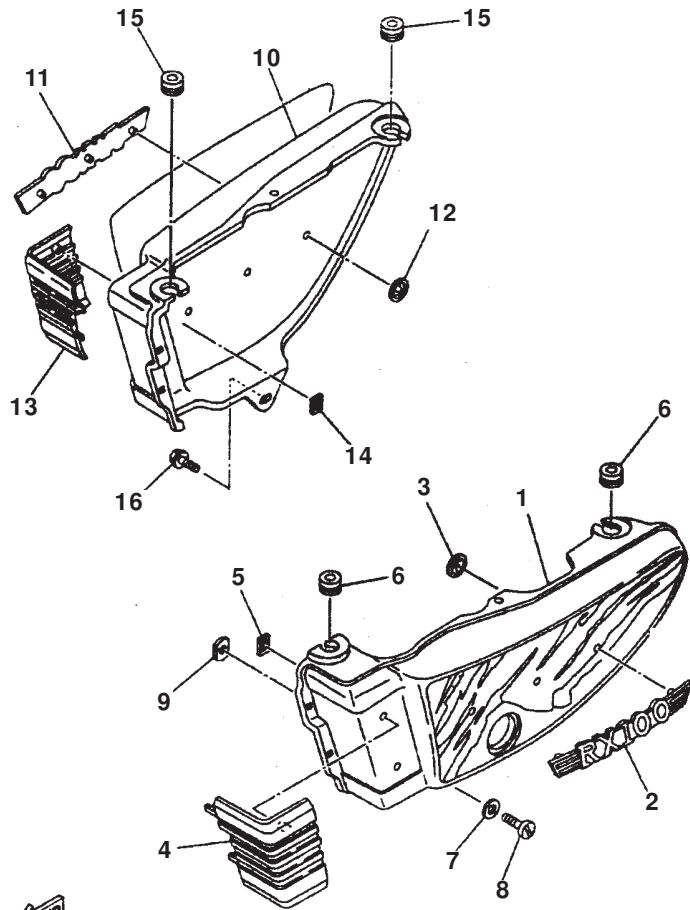


36L5664-A150

REF. NO.	EXISTING PART NO.	PART NAME	36L0	9 DIGIT PART NO.	ESCORT 12 DIGIT	SUPERSEDED PART NO.	REMARKS
1	5KAF15100100	FR. FENDER COMP.	1	1L1080100		36LF15101000	
2	9580N0601600	BOLT,FLANGE	4	000002601		958070601600	
3	36LF15180000	HOLDER,CABLE	1	1A1080001			
4	36LF15210000	FLAP, FRONT FENDER	1	1L1080001			
5	902010572500	WASHER PLAIN	2	000006406			
6	9760N0521200	SCREW,PAN HEAD W/WASHER	2	000234216		976070521200	
7	9530M0560000	NUT,HEX.	2	000004105		9530N0560000	
8	36LF16100093	REAR FENDER COMP.	1	1L1090100		36LF16110000	
9	9700N0802000	BOLT,HEX.	2	000002257		970070802000	
10	901570511600	PAN HEAD SCREW	3	000034218			
11	9290N0810000	WASHER,SPRING	2	000005106	000005106C00	929070810000	
12	953010820N00	NUT,HEX.	2	000004109		953008600000	
13	958170601200	BOLT,FLG.	2	000002602		9580N0601200	
14	36LF16290000	GUARD,MUD	1	1L1090002			
15	904640802000	CLAMP	1	1L1090003			
16	902011580400	WASHER	1	000006106		929010860000	#
17	36LF16210100	FLAP	1	1L1090001			
18	9760N0521600	SCREW,PAN HEAD W/WASHER	3	000234218			
19	902010503600	WASHER,PLAIN	3	1L1090004			
20	9530M0560000	NUT,HEX.	3	000004105		9530N0560000	

NOTE :-

- 1) Requested to create the parts order in existing part no. i.e in 12 digit
- 2) Part numbers having no symbol in remarks column indicates its serviceability
- A) Part nos with symbol (Δ) are serviceable till stock
- B) Part nos with symbol (#) are not serviceable due to constraints



36L5664-A161

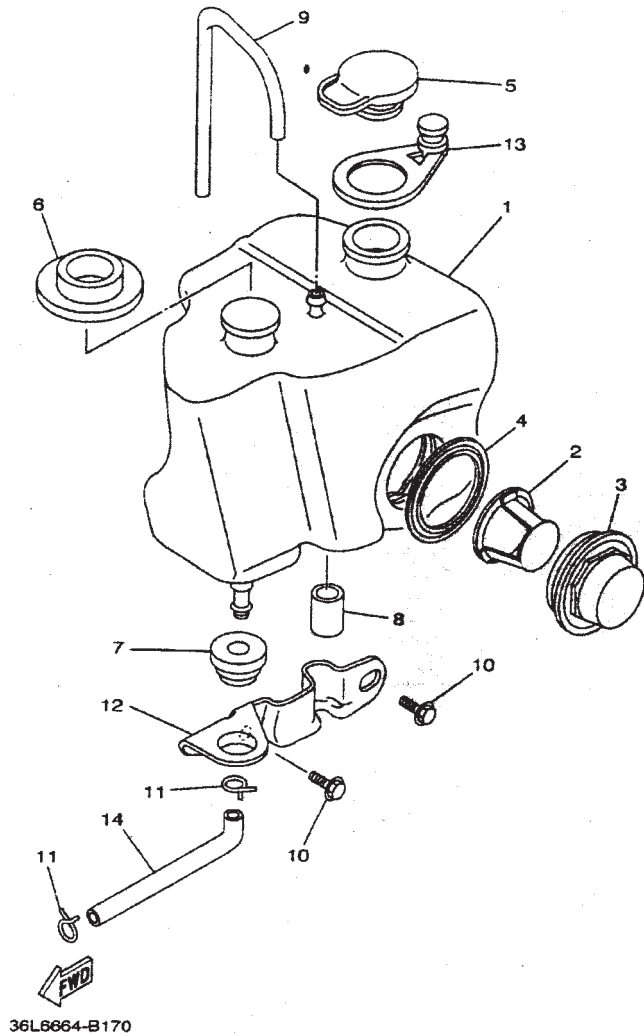
FIG. 16 SIDE COVER

REF. NO.	EXISTING PART NO.	PART NAME	36L0	9 DIGIT PART NO.	ESCORT 12 DIGIT	SUPERSEDED PART NO.	REMARKS
1	4TLF17106000	COVER,SIDE LH (Black Gold)	1	1L1100101		36LF171101H9	
	36LF171101H6	COVER,SIDE LH (Maroon)	1	1L1100101			
	36LF171101P1	COVER,SIDE LH (DPBMC)	1	1L1100101			#
	36LF17110135	COVER,SIDE LH (SILVER)	1	1L1100101		36LF17110120	#
	36LF171101P0	COVER SIDE LH (ACB)	1	1L1100101			#
2	36LF17811000	EMBLEM,1	1	1L1100102	1L1100102X00		
3	901830404700	NUT,SPRING	3	1L1100103			
4	36LF17830000	EMBLEM,3	1	1L1100104			
5	901830601800	NUT,SPRG.	2	1L1100105			
6	904801205300	GROMMET	2	1L1100004	1L1140003X00		
7	902010638000	WASHER,PLAIN	1	1L1100001			
8	901460600900	SCREW,SLOTTED OVAL FILLISTER	1	1L1100002			
9	901790626400	NUT	1	1L1100003			
10	4TLF17206000	COVER,SIDE RH (Black Gold)	1	1L1100201		36LF172101H9	
	36LF172101H6	COVER,SIDE RH (Maroon)	1	1L1100201			
	36LF172101P1	COVER,SIDE RH (DPBMC)	1	1L1100201			#
	36LXF1727035	COVER,SIDE RH (SILVER)	1	1L1100201		36LF17210020	#
11	36LF17820000	EMBLEM,2	1	1L1100202			
12	901830404700	NUT,SPRG.	3	1L1100103			
13	36LF17840000	EMBLEM,4	1	1L1100203			
14	901830601800	NUT,SPRG.	3	1L1100105			
15	904801205300	GROMMET	2	1L1100004	1L1140003X00		
16	9850N0601600	SCREW,PAN HEAD	1	000032712	000032712C00		

NOTE :-

- 1) Requested to create the parts order in existing part no. i.e in 12 digit
- 2) Part numbers having no symbol in remarks column indicates its serviceability
- A) Part nos with symbol (Δ) are serviceable till stock
- B) Part nos with symbol (#) are not serviceable due to constraints

FIG. 17 OIL TANK

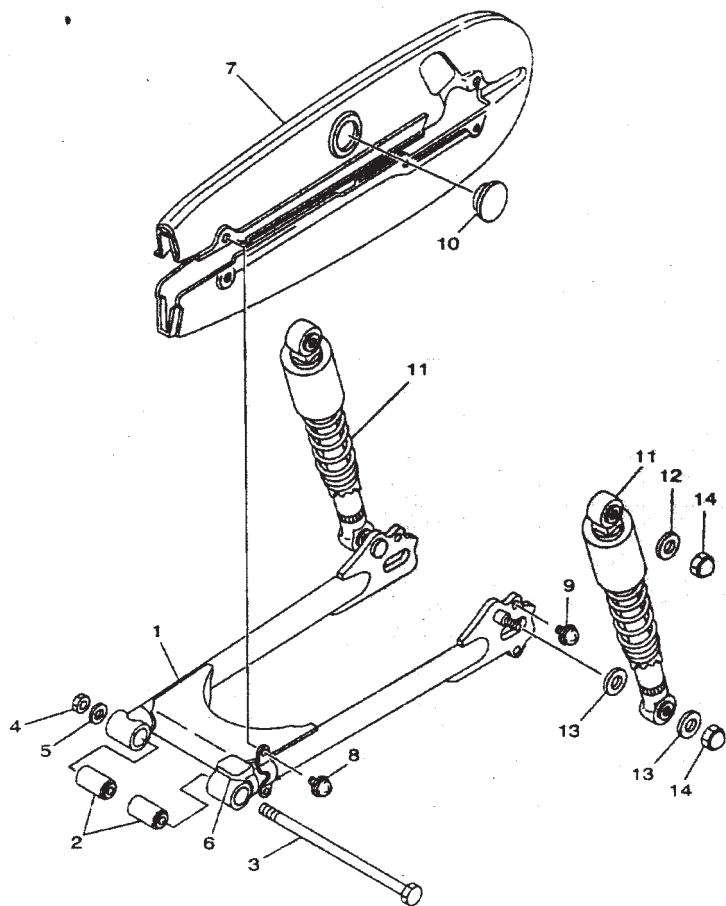


REF. NO.	EXISTING PART NO.	PART NAME	36L0	9 DIGIT PART NO.	ESCORT 12 DIGIT	SUPERSEDED PART NO.	REMARKS
1	36LF17510000	TANK,OIL	1	1L1230101		36LF17511000	
2	36LF176A0000	REFLECTOR,LEVEL GAUGE	1	1L2230200			
3	36LF17640000	LENS,LEVEL GAUGE	1	1L1230102			
4	36LF17630000	GASKET,LEVEL GAUGE	1	1L1230103			
5	36LF17710000	BODY,CAP	1	1L1230006			
6	903852402800	BUSH.	1	1L1230002			
7	904801817100	GROMMET	1	1L1230003			
8	903850802900	BUSH.	1	1L1230004			
9	36LF17450000	PIPE,OIL TANK BREATHER	1	1L1230005			
10	958170601200	BOLT,FLG.	2	000002602		9580N0601200	
11	904670800300	CLIP OIL PIPE	2	1A1230004			
12	36LF11550000	BRKT.,OIL TANK	1	1L1230300			
13	36LF17760000	BAND,TANK FITTING	1	1L1230001			
14	904450910700	HOSE	1	1L1630006			

NOTE :-

- 1) Requested to create the parts order in existing part no. i.e in 12 digit
- 2) Part numbers having no symbol in remarks column indicates its serviceability
- A) Part nos with symbol (Δ) are serviceable till stock
- B) Part nos with symbol (#) are not serviceable due to constraints

FIG. 18 REAR ARM



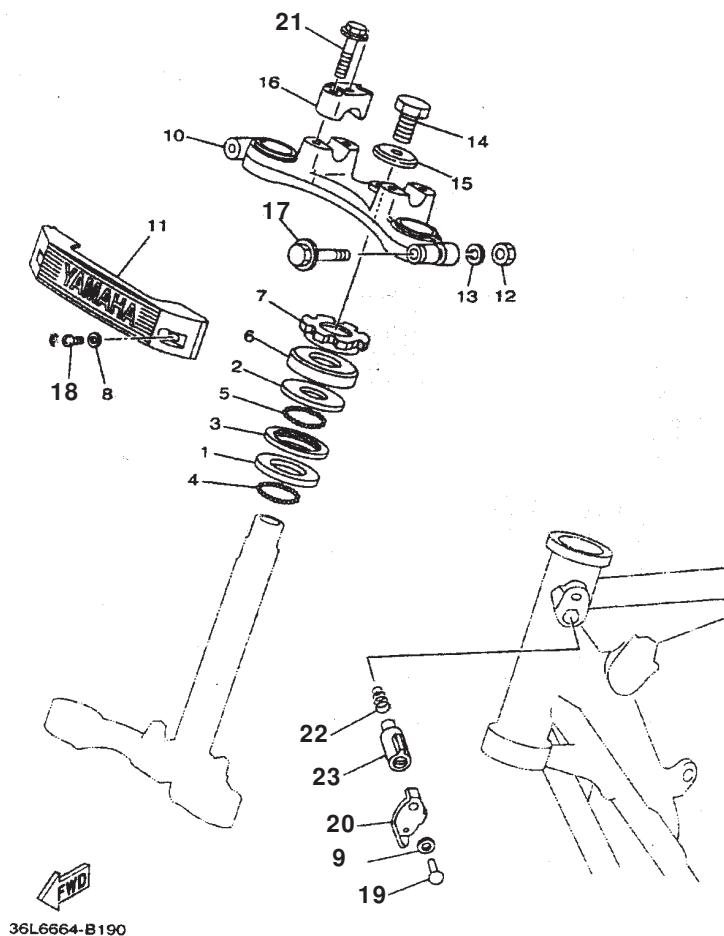
36L5664-A181

REF. NO.	EXISTING PART NO.	PART NAME	36L0	9 DIGIT PART NO.	ESCORT 12 DIGIT	SUPERSEDED PART NO.	REMARKS
1	36LF21101000	REAR ARM COMP.	1	1L1220100			
2	36LF21230000	BUSH.,1	2	1L1220200			
3	36LF21410100	SHAFT,PIVOT	1	1L1220001			
4	901701206500	NUT,HEX.	1	1L1220003			
5	9290N1220000	WASHER,PLAIN	1	000006107		929071220000	
6	36LF21510000	SEAL,GUARD	1	1L1220002			
7	4TLF23100200	CHAIN CASE ASSY.	1	1L1060100		36LF23102100	
8	9760N0621200	SCREW,W/WASHER	2	000234221		9780N0621200	
9	9760N0621600	SCREW,W/WASHER	2	000234222		976070621600	
10	36LF23150000	CAP	1	1L1060001			
11	36LF22100100	SHOCK ABSORBER,RR.	2	1L1210100		36LF22100033	
12	902011421800	WASHER,PLAIN	2	1A1090003			#
13	90201106F200	WASHER,PLAIN	4	111030001			
14	901761007300	NUT,CAP	4	000004604			
	36LF71310000	NUT SPECIAL	1	1L1210101			Δ
	36LF71320000	BRACKET UPPER	1	1L1210102			Δ
	36LF22160000	RUBBER BUSH TOP	1	1L1210103			#
	36LF71340000	SPRING	1	1L1210104			Δ
	36LF71350000	COVER OUTER	1	1L1210106			Δ
	NO YGK NO	RUBBER BUSH	1	1L1210107			#
	36LF22390000	SEAT SPRING	1	1L1210200			Δ
	36LF22011000	DAMPER ASSY	1	1L1210300	1L1210500000		Δ

NOTE :-

- 1) Requested to create the parts order in existing part no. i.e in 12 digit
- 2) Part numbers having no symbol in remarks column indicates its serviceability
- A) Part nos with symbol (Δ) are serviceable till stock
- B) Part nos with symbol (#) are not serviceable due to constraints

FIG. 19 STEERING



REF. NO.	EXISTING PART NO.	PART NAME	36L0	9 DIGIT PART NO.	ESCORT 12 DIGIT	SUPERSEDED PART NO.	REMARKS
1	36LF34120000	RACE,BALL 2	1	139030004			
2	36LF34111000	RACE,BALL 1	1	1L1020001			
3	36LF34121000	RACE,BALL 2	1	1L1020002			
4	935010480500	BALL	19	000012102			
5	935031680700	BALL	22	000012101		9350N1680600	
6	5YYF34160000	COVER,BALL RACE 2	1	1L1020003		36LF34160000	
7	901792503300	NUT	1	1A1020008	1A1020008C00		
8	929070520000	WASHER,PLAIN	1	1L1020011		9290N0520000	Δ
9	902080402900	WASHER,CONICAL SPRG.	1	1L1020009			
10	36LF34350000	CROWN,HANDLE	1	1L1020005			
11	36LF33950000	EMBLEM	1	1L1020010			
12	953010820N00	NUT,CAP	2	000004109		953000860000	
13	9290N0810000	WASHER,SPRING	2	000005106	000005106C00	929070810000	
14	901011080200	BOLT,HEX.	1	000002401		901051000600	
15	902091080500	WASHER	1	1L1020004		902091002000	
16	36LF34410100	HOLDER,HANDLE UPPER	2	1L1020006		36LF34410000	
17	9580N08050000	BOLT,FLG.	2	000002604		958070805000	
18	9850N05010000	SCREW,PAN	2	000034215	000034215X00	985070501000	
19	902690400300	RIVET	1	000034002			
20	36LF34840000	CAP,HANDLE LOCK	1	123240001			
21	9582N08030000	BOLT,FLG.)	4	000002603		958270803000	
22	905020902400	SPRG.,CONICAL	1	1L1020007			
23	36LF34800000	STRG. LOCK ASSY.	1	1L1021500			

NOTE :-

- 1) Requested to create the parts order in existing part no. i.e in 12 digit
- 2) Part numbers having no symbol in remarks column indicates its serviceability
- A) Part nos with symbol (Δ) are serviceable till stock
- B) Part nos with symbol (#) are not serviceable due to constraints

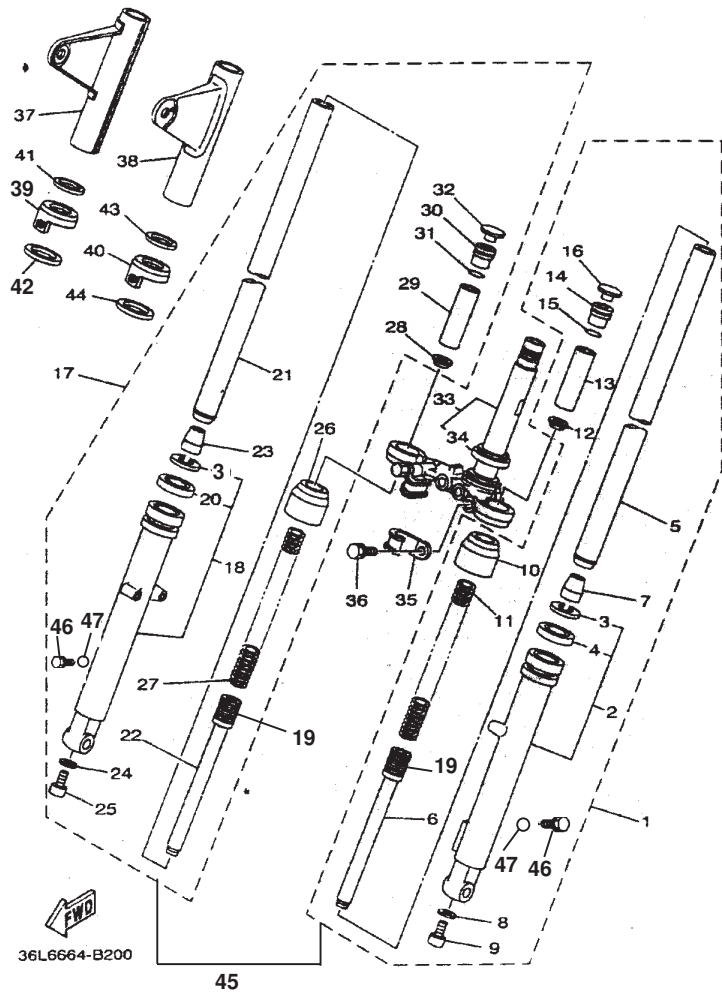


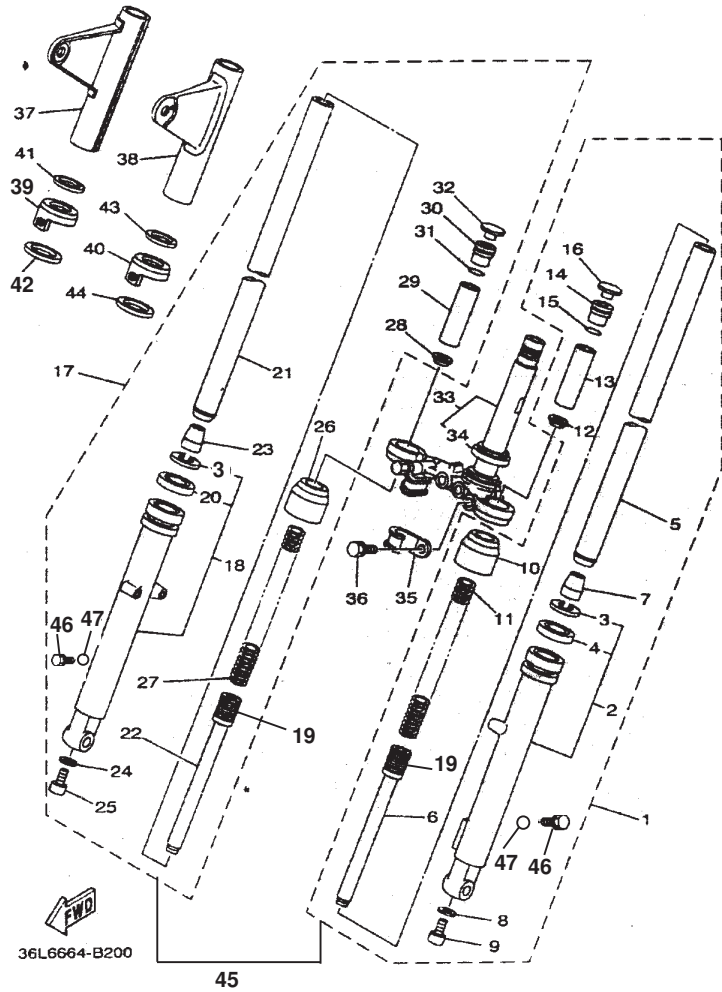
FIG. 20 FRONT FORK

REF. NO.	EXISTING PART NO.	PART NAME	36L0	9 DIGIT PART NO.	ESCORT 12 DIGIT	SUPERSEDED PART NO.	REMARKS
1	36LF31020100	FRONT FORK ASSY.(LH)	1	1L1020300		36LF31020000	
2	36LF31060000	OUTER TUBE COMP.(LH)	1	1L1020400	1L1020400X00		
3	4LSF31530000	CLIP OIL SEAL	2	1L1020401	1L1020401X00	36LF31560000	
4	36LF31450000	OIL SEAL	1	1L1020402	1L1020402X00		
5	36LF31100000	INNERTUBE	1	1L1020500		36LF31100100	
6	36LF31700000	CYLINDER COMP	1	1L1020600	1L1020600X00		
7	36LF31730000	THROTTLE(SPINDLE,TAPER)	1	130020501	130020501C00		
8	36LF31580000	GASKET DRAIN PLUG	1	1A1020706	1A1020706C00		
9	36LF31810000	BOLT HEX SOCKET HD	1	1L1020304	1L1020304C00		
10	36LF31440000	SEAL DUST	1	130020502	130020502C00	130020502C00	
11	36LF31411000	SPRING FRONT FORK	1	1L1020303	1L1020303X00	36LF31410000	
12	36LF31460000	WASHER SPRING GUIDE	1	130020504	130020504C00		
13	36LF31180000	SPACER	1	1L1020305	1L1020305X00		
14	36LF31110000	BOLT CAP,PLUG	1	130020507	130020507C00		
15	36LF31140000	O RING	1	130020506	130020506C00	36LF31470000	
16	36LF31680000	CAP RUBBER FR/FORK	1	130020508	130020508C00	36LF31900000	
17	36LF31030100	FRONT FORK ASSY (RH)	1	1L1020700	1L1020700X00	36LF31030000	
18	36LF31070000	OUTER TUBE COMP.RH	1	1L1020800	1L1020800X00		
19	36LF31570000	PISTON RING	2	130020802			
20	36LF31450000	OIL SEAL	1	1L1020402	1L1020402X00	130020508C00	
21	36LF31100000	INNERTUBE	1	1L1020500		36LF31100100	
22	36LF31700000	CYLINDER COMP	1	1L1020600	1L1020600X00		
23	36LF31730000	THROTTLE(SPINDLE,TAPER)	1	130020501	130020501C00		
24	36LF31580000	GASKET DRAIN PLUG	1	1A1020706	1A1020706C00	36LF31290000	
25	36LF31810000	BOLT HEX SOCKET HD	1	1L1020304	1L1020304C00		
26	36LF31440000	SEAL DUST	1	130020502	130020502C00	130020502C00	
27	36LF31411000	SPRING FRONT FORK	1	1L1020303	1L1020303X00	36LF31410000	

NOTE :-

- 1) Requested to create the parts order in existing part no. i.e in 12 digit
- 2) Part numbers having no symbol in remarks column indicates its serviceability
- A) Part nos with symbol (Δ) are serviceable till stock
- B) Part nos with symbol (#) are not serviceable due to constraints

FIG. 20 FRONT FORK



REF. NO.	EXISTING PART NO.	PART NAME	36L0	9 DIGIT PART NO.	ESCORT 12 DIGIT	SUPERSEDED PART NO.	REMARKS
28	36LF31460000	WASHER SPRING GUIDE	1	130020504	130020504C00	130020504C00	
29	36LF31180000	SPACER	1	1L1020305	1L1020305X00		
30	36LF31110000	BOLT CAP PLUG.	1	130020507	130020507C00		
31	36LF31140000	O RING	1	130020506	130020506C00	36LF31470000	
32	36LF31680000	CAP RUBBER FR/FORK	1	130020508	130020508C00		
33	36LF33400000	UNDER BRACKET	1	1L1022000	1L1022000X00		
34	36LF34110000	RACE,BALL 1	1	139030601	139030601R00	139030601R00	
35	36LF33180000	HOLDER CABLE	1	1L1020202	1L1020202X00		#
36	36LF33460100	BOLT WITH SPRING WASHER	1	1L1020201	1L1020201X00	1L1020201X00	
37	36LF31310000	COVER,UPPER 2	1	1L1021300			
38	36LF31210000	COVER,UPPER 1	1	1L1021400			
39	36LF31320000	COVER,OUTER 2	1	1L1021100			
40	36LF31220000	COVER,OUTER 1	1	1L1021200			
41	36LF31160000	GUIDE (PACKING COVER LOWER	1	1L1020302		535231161000	
42	36LF31630000	GUIDE(PACKING COVER UPPER)	1	1L1020301	1L1020301X00		
43	36LF31160000	GUIDE (PACKING COVER LOWER	1	1L1020302		535231161000	
44	36LF31630000	GUIDE(PACKING COVER UPPER)	1	1L1020301	1L1020301X00		
45	36LF31002000	FR. FORK ASSY.	1	1L1020200		36LF31000000	
46	36LF31190100	PLUG DRAIN	2	1L1020306	1L1020306X00	36LF311900	
47	36LF31580000	GASKET DRAIN PLUG	1	1A1020706	1A1020706600	36LF312900	

NOTE :-

- 1) Requested to create the parts order in existing part no. i.e in 12 digit
- 2) Part numbers having no symbol in remarks column indicates its serviceability
- A) Part nos with symbol (Δ) are serviceable till stock
- B) Part nos with symbol (#) are not serviceable due to constraints

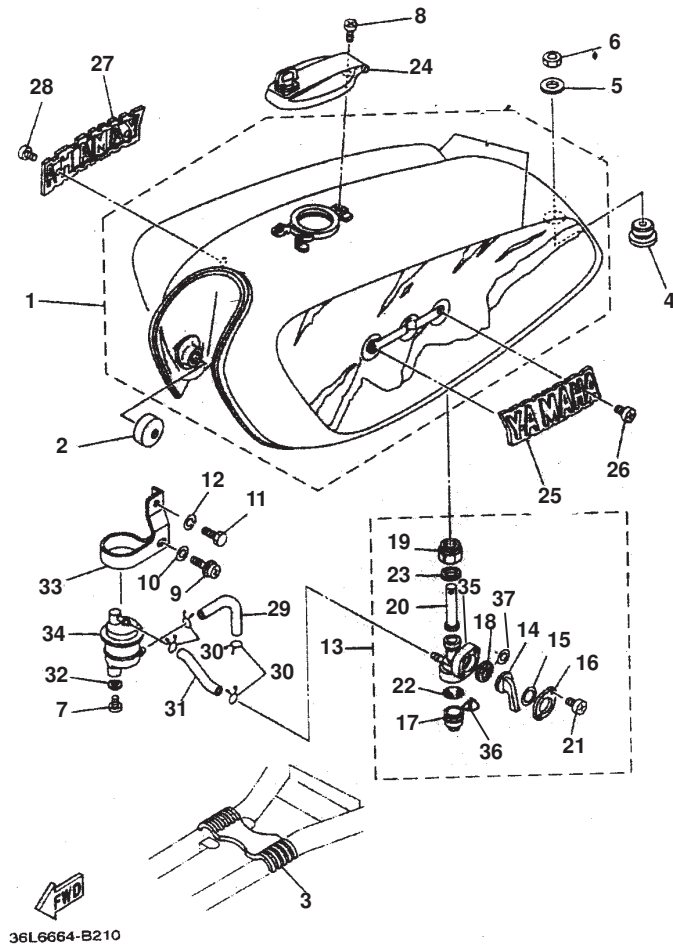


FIG. 21 FUEL TANK

REF. NO.	EXISTING PART NO.	PART NAME	36L0	9 DIGIT PART NO.	ESCORT 12 DIGIT	SUPERSEDED PART NO.	REMARKS
1	36LXF4119033	FUEL TANK (N.Black)	1	1L1070100	0	36LF41008000	#
	36LF4100009V	FUEL TANK (ACB)	1	1L1070100	1		#
	36LXF411A0P0	FUEL TANK (Grey)	1	1L1070100	4	36LF4100A000	#
	4TLF41006000	FUEL TANK (N.BLK)	1	1L1070100	5	36LF4100B000	
	4TLXF41AA0H6	FUEL TANK (CNM)	1	1L1070100		4TLF4100A000	
2	36LF41810000	DAMPER,LOCATING 1	2	1L1070001			
3	36LF41820000	DAMPER,LOCATING 2	1	1L1070002			
4	904802518900	GROMMET	1	1L1070003			
5	902010861200	WASHER,PLAIN	1	1L1070004	1L1070004X00		
6	953010820N00	NUT,HEX.	1	000004109		9530N0860000	
7	9850N0501000	SCREW,PAN	2	000032708	000032708C00	985070501000	
8	9850N0500800	SCREW PAN HEAD	1	000032707	000032707C00		
9	9760N0621200	SCREW,PAN HEAD WITH WASHER	1	000234221		976070621200	
10	9290N0610000	WASHER,SPRING	1	000005105			Δ
11	9700N0601200	BOLT,HEX.	1	000002205		9700N0601200	
12	9290N0510000	WASHER,SPRING	1	000005110		929070510000	
13	36LF45000200	FUEL COCK ASSY.	1	1L1071200		36LF45000100	
14	36LF45240000	LEVER		1L1071202	1L1071202X00		
15	36LF45180000	WAVE WASHER		1L1071207			
16	36LF45250000	COVER PLATE		1L1071209			
17	36LF45210000	BOWL		1L1071203	1L1071203X00		Δ
18	36LF45230000	SEAL DISTRIBUTER		1L1071204	1L1071204X00		
19	36LF45310000	T-NUT	1	1L1070408	1L1070408X00		Δ
20	36LF45600000	FILTER ASSY.		1L1071300			
21	901570312200	SCREW,PAN HEAD	1	000034206	000034206X00		Δ
22	36LF45150000	FILTER FULE COCK		1L1071205	1L1071205X00		
23	36LF45320100	T-NUT PACKING	1	1L1070409	1L10409X00	36LF45320000	
24	36LF4650V100	CAP ASSY.	1	1A1070500	1A1070500C00		
25	36LF41621000	EMBLEM,	1	1L1070005,6		36LF41611000	
	901520400600	SCREW,CROSSRECESSED OVALCOUNT	2	1L1070010			

NOTE :-

- 1) Requested to create the parts order in existing part no. i.e in 12 digit
- 2) Part numbers having no symbol in remarks column indicates its serviceability
- A) Part nos with symbol (Δ) are serviceable till stock
- B) Part nos with symbol (#) are not serviceable due to constraints

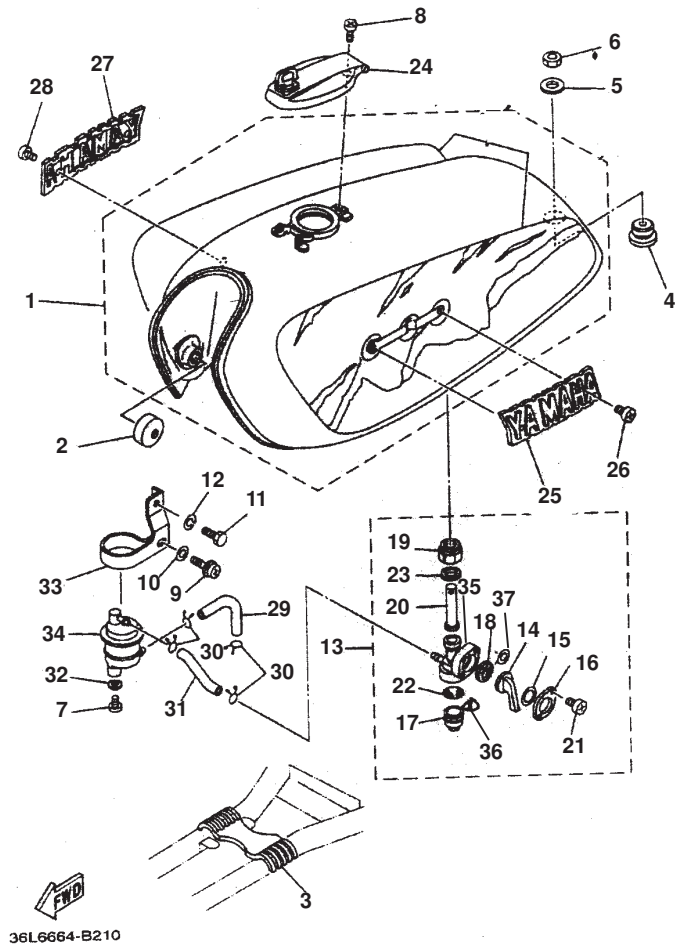
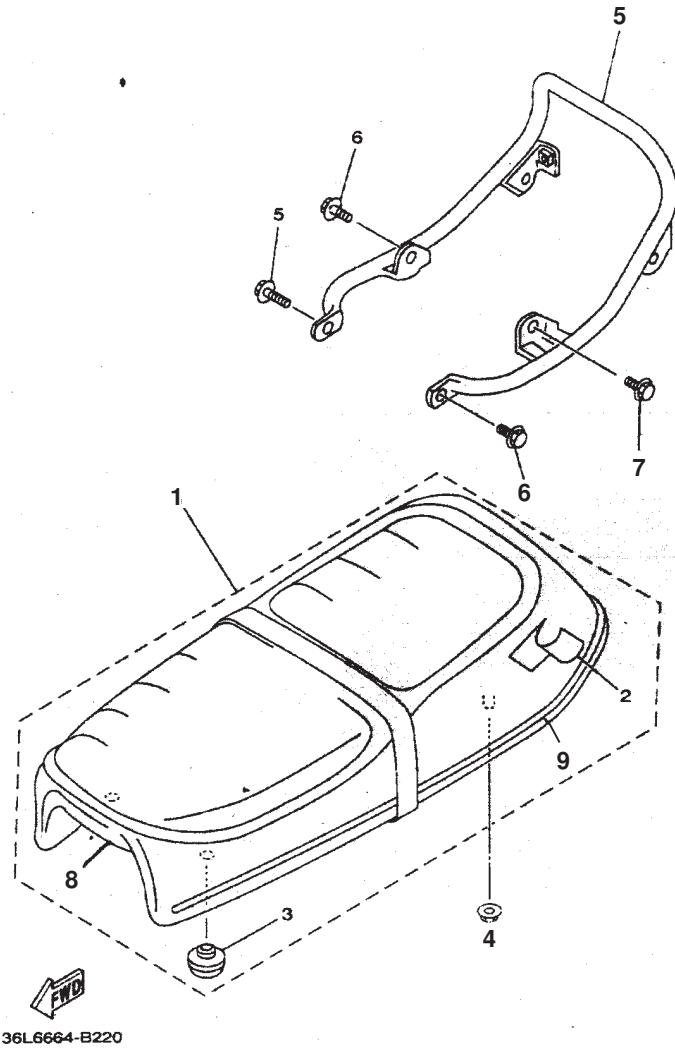


FIG. 21 FUEL TANK

REF. NO.	EXISTING PART NO.	PART NAME	36L O	9 DIGIT PART NO.	ESCORT 12 DIGIT	SUPERSEDED PART NO.	REMARKS
27	36LF41621000	EMBLEM,	1	1L1070005,6		36LF41611000	
28	901520400600	SCREW,CROSSRECESSED OVAL COUNT	2	1L1070010			
29	904450905900	HOSE	1	1L1070007,8			
30	904670800300	CLIP	4	1A1230004		904670800300	
31	904450905900	HOSE	1	1L1070007,8			
32	902020480100	WASHER,PLAIN	1	1L1070009			
33	2YAF45680000	BAND,FILTER	1	1L1070900	1L1070900000		
34	36LF45600100	FILTER ASSY.	1	1L1070800			
35	No YGK no	BODY FUEL COCK		1L1071201	1L1071201X00		Δ
36	36LF4522V000	WASHER		1L1071206	1L1071206X00		Δ
37	36LF45760000	WASHER SPL		1L1071208	1L1071208X00		Δ

NOTE :-

- 1) Requested to create the parts order in existing part no. i.e in 12 digit
- 2) Part numbers having no symbol in remarks column indicates its serviceability
- A) Part nos with symbol (Δ) are serviceable till stock
- B) Part nos with symbol (#) are not serviceable due to constraints



36L6664-B220

FIG. 22 SEAT

REF. NO.	EXISTING PART NO.	PART NAME	36L0	9 DIGIT PART NO.	ESCORT 12 DIGIT	SUPERSEDED PART NO.	REMARKS
1	36LF47301000	DOUBLE SEAT ASSY.	1	1L1120100		36LF47300000	
2	36LF47310000	COVER,SEAT	1	1L1120300	1L1120300X00		
3	36LF47410000	PAD,SEAT	4	1L1120106			
4	957070850000	NUT,FLANGE	2	1L1010006			
5	36LF474A0000	ASSIST,GRIP	1	1L1180300			
6	9580N0601200	BOLT,FLG.	2	000002605	000002605C00	958070601200	
7	9580N0801200	BOLT,FLG.	2	000002606		958070801200	
8	36LF470E0000	BOTTOM PLATE COMP.	1	1L1120200			
9	36LF47850000	SEAT BEADING	1	1L1120104			

- NOTE :-
- 1) Requested to create the parts order in existing part no. i.e in 12 digit
 - 2) Part numbers having no symbol in remarks column indicates its serviceability
 - A) Part nos with symbol (Δ) are serviceable till stock
 - B) Part nos with symbol (#) are not serviceable due to constraints

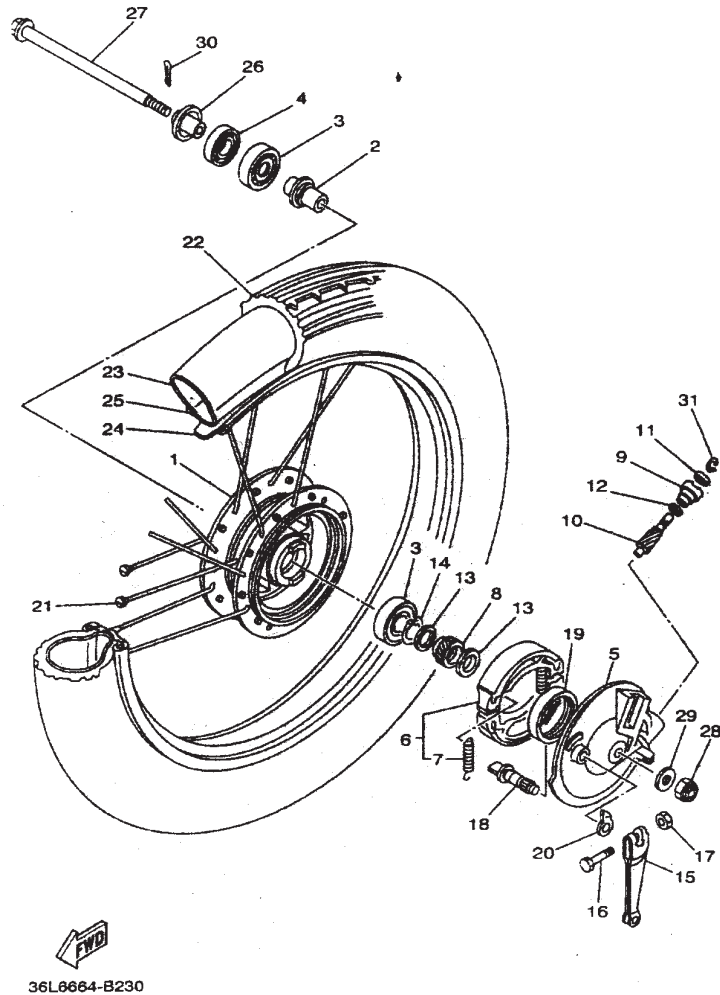


FIG. 23 FRONT WHEEL

REF. NO.	EXISTING PART NO.	PART NAME	36L0	9 DIGIT PART NO.	ESCORT 12 DIGIT	SUPERSEDED PART NO.	REMARKS
1	5TRF51110000	HUB FRONT	1	1L1040200		36LF51111000	
2	905601281400	SPACER ASSY	1	1L1040300			
3	93306301Y300	BEARING	2	1L1040102			
4	931021880200	SEAL,OIL	1	1L1040101			
5	5TSF51210000	PLATE,BRAKE SHOE	1	1L1040500		36LF51211000	
6	36LWF5360000	BRAKE SHOE KIT	2	1L1050800	1L1050800X00		
7	905061480100	SPRG.,TENSION	2	1L1050404		905061603600	
8	36LF51351100	GEAR,DRIVE	1	1L1040700		36LF51350000	#
9	36LF51360000	BUSH.	1	1L1040402			
10	36LF51381100	GEAR,METER	1	1L1040800		36LF51380000	#
11	931040780400	SEAL,OIL	1	000014116			
12	902010707600	WASHER,PLAIN	1	1L1040404	1L1040404X00		
13	902012026900	WASHER,PLAIN	2	1L1040505			
14	934102080800	CIRCLIP	1	000016201			
15	36LF51550000	LEVER,CAMSHAFT 1	1	1L1040407			
16	901010681400	BOLT,HEX.	1	000002251		901010627800	
17	9530N0660000	NUT,HEX.	1	000004107			
18	36LF53510000	CAM,SHAFT 1	1	1L1050401			
19	931054780100	SEAL,OIL	1	1L1040408			
20	36LF513A0000	PLATE,INDICATOR	1	1L1040409			
21	5USF53950000	NIPPLE,SPOKE	36	000039107			
	5USF51960000	SPOKE,1	18	000038119			
	5USF51970000	SPOKE,2	18	000038120			
22	941251883800	TIRE	1	000035105			#
23	942251882300	TUBE	1	000036106			#
24	943251882200	BAND,RIM	1	1L1050011			
25	944161880000	RIM	1	1L1050013		944141883200	
26	36LF511X0000	COVER,HUB DUST ASSY	1	1L1040600		36LF51180000	

NOTE :-

- 1) Requested to create the parts order in existing part no. i.e in 12 digit
- 2) Part numbers having no symbol in remarks column indicates its serviceability
- A) Part nos with symbol (Δ) are serviceable till stock
- B) Part nos with symbol (#) are not serviceable due to constraints

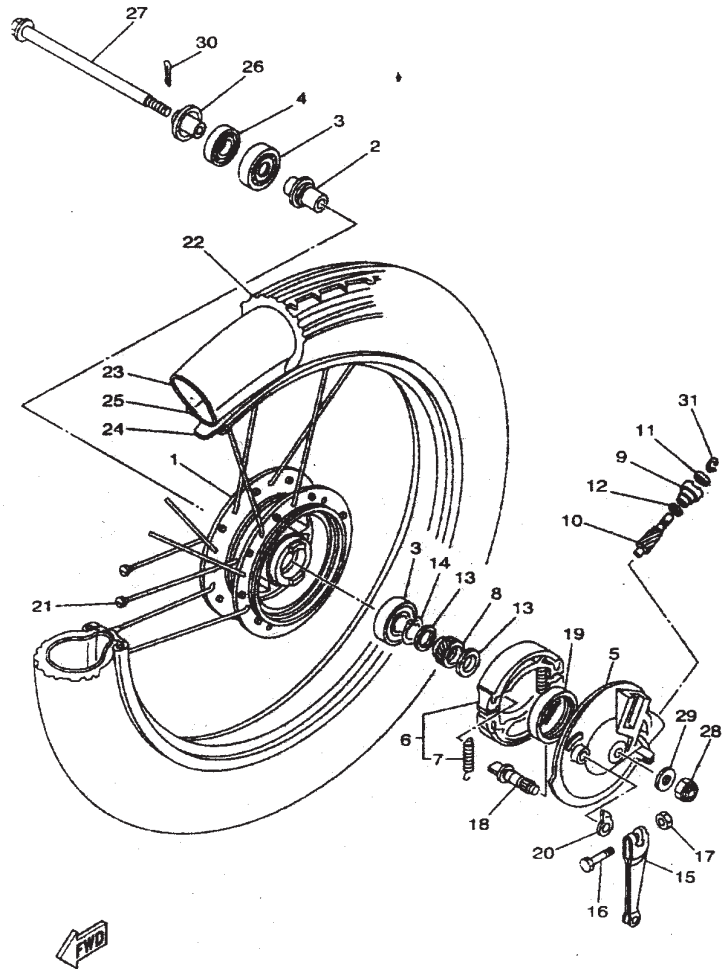


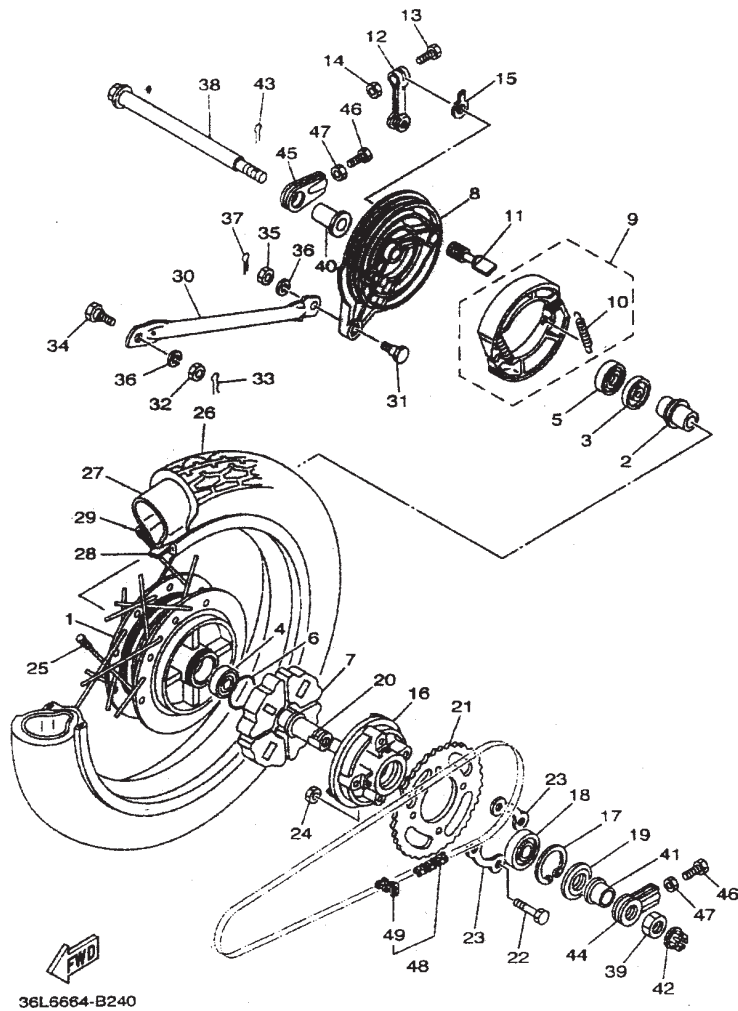
FIG. 23 FRONT WHEEL

REF. NO.	EXISTING PART NO.	PART NAME	36L0	9 DIGIT PART NO.	ESCORT 12 DIGIT	SUPERSEDED PART NO.	REMARKS
27	36LF51810000	AXLE,WHEEL FR.	1	1L1040001		36LF51810000	
28	901711000400	NUT,CASTLE	1	1L1040002		901711080300	
29	9290N1020000	WASHER,PLAIN	1	000006113		929071020000	
30	914012002000	PIN,SPLIT	1	000009117		902523580200	
31	36LF51370000	RING(STOP)	1	1L1040003		36LF51370000	

NOTE :-

- 1) Requested to create the parts order in existing part no. i.e in 12 digit
- 2) Part numbers having no symbol in remarks column indicates its serviceability
- A) Part nos with symbol (Δ) are serviceable till stock
- B) Part nos with symbol (#) are not serviceable due to constraints

FIG. 24 REAR WHEEL

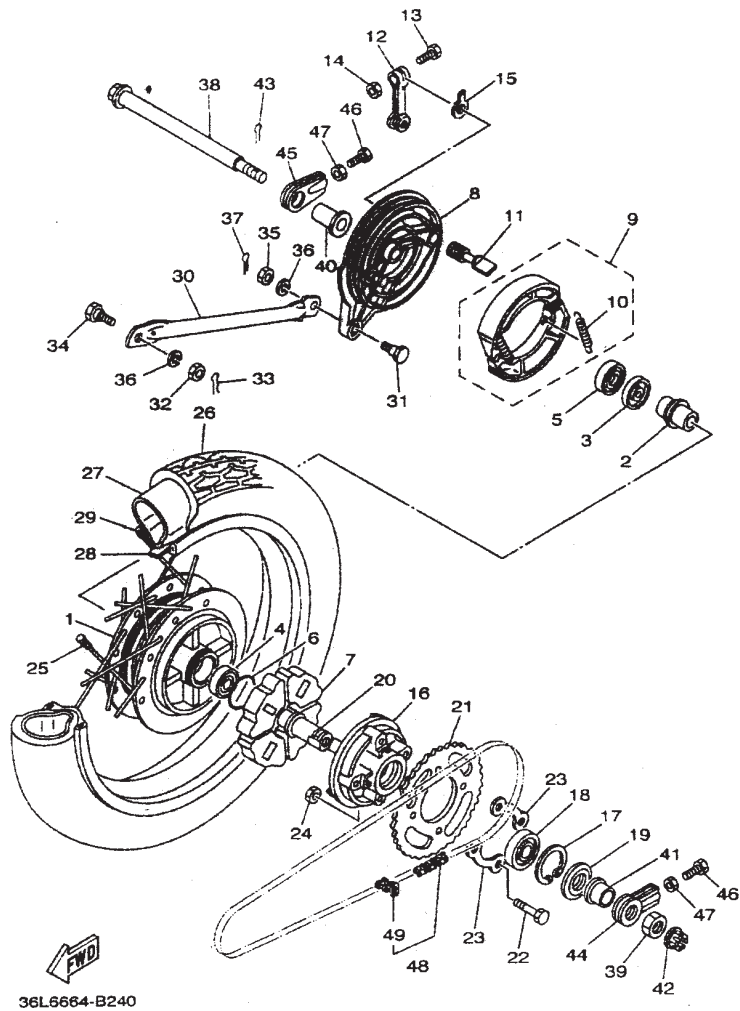


REF. NO.	EXISTING PART NO.	PART NAME	36L0	9 DIGIT PART NO.	ESCORT 12 DIGIT	SUPERSEDED PART NO.	REMARKS
1	5TRF53110000	HUB,REAR	1	1L1050200		36LF53111000	
2	5YYF510B0000	SPACER ASSY.	1	1L1050300		36LF53120000	
3	93306202Y000	BRG.	1	000013101			
4	93306202Y100	BRG.	1	000013401			
5	931042280500	SEAL,OIL	1	1L1050101			
6	932104280700	O-RING	1	1L1050103			
7	36LF53640000	DAMPER	4	1L1050102			
8	36LF53211135	PLATE,BRAKE SHOE	1	1L1050500		36LF53211000	
9	36LWF5360000	BRAKE SHOE KIT	2	1L1050800			
10	905061480100	SPRG.,TENSION	2	1L1050404		905061603600	
11	36LF53510000	CAM,SHAFT 1	1	1L1050401			
12	36LF53550000	LEVER,CAMSHAFT 1	1	1L1050402			
13	901010681400	BOLT,HEX.	1	000002255		901010627800	
14	9530N0660000	NUT,HEX.	1	000004107			
15	36LF533A0000	PLATE,INDICATOR	1	1L1050403			
16	36LF53661000	CLUTCH,HUB	1	1L1050901			
17	934204280100	CIRCLIP	1	000016106			
18	93306004Y000	BRG.	1	000013402			
19	931062680100	SEAL,OIL	1	1L1050904			
20	36LF53870100	SHAFT,SPROCKET	1	1L1050903			
21	36LF54390000	SPROCKET,RR. WHEEL	1	1L1050902			
22	901090836100	BOLT	4	1L1050906			
23	36LF54120000	WASHER,LOCK	2	1L1050905			
24	901790816800	NUT	4	1L1050907			
25	5USF53950000	NIPPLE,SPOKE	36	000039107			
	5USF51960000	SPOKE,1	18	000038119			
	5USF51970000	SPOKE,2	18	000038120			
26	941271882600	TIRE	1	000035106		941271883900	#

NOTE :-

- 1) Requested to create the parts order in existing part no. i.e in 12 digit
- 2) Part numbers having no symbol in remarks column indicates its serviceability
- A) Part nos with symbol (Δ) are serviceable till stock
- B) Part nos with symbol (#) are not serviceable due to constraints

FIG. 24 REAR WHEEL

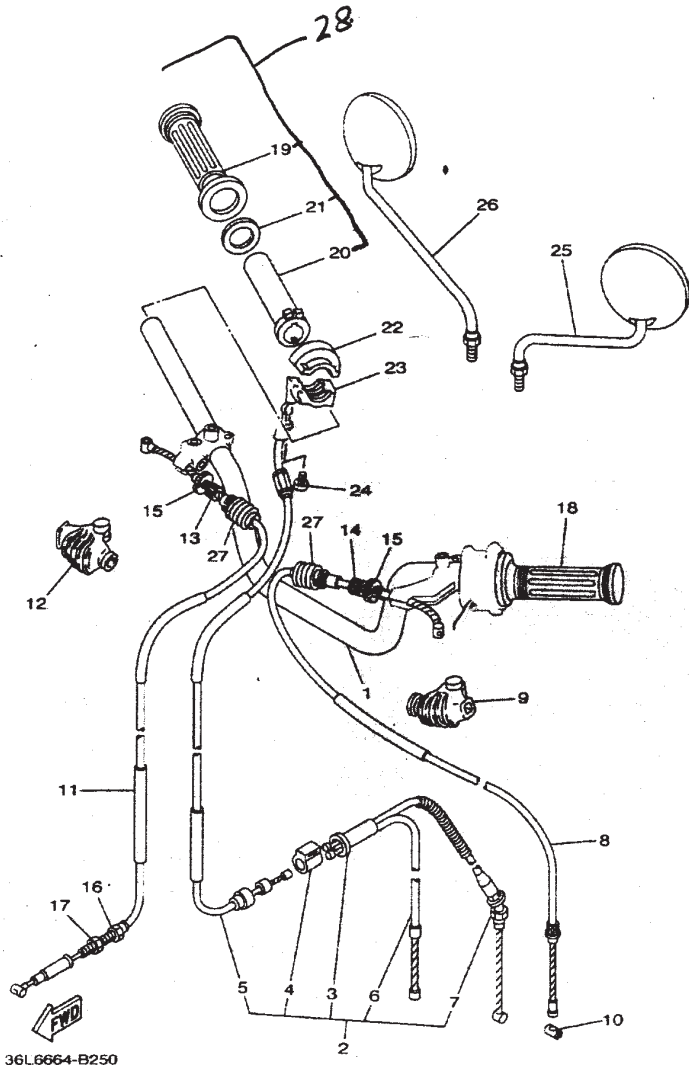


REF. NO.	EXISTING PART NO.	PART NAME	36L0	9 DIGIT PART NO.	ESCORT 12 DIGIT	SUPERSEDED PART NO.	REMARKS
27	942271882400	TUBE	1	000036106			#
28	943251882200	BAND,RIM	1	1L1050011			
29	944161880000	RIM	1	1L1050013			
30	36LF53710000	BAR,TENSION	1	1L1050004			
31	901090806300	BOLT	1	1L1050008			
32	953010820N00	NUT,HEX.	1	000004109		953070860000	
33	914011601200	CLIP	1	1L1050010		904681200700	
34	901090883100	BOLT	1	1L1050009		901090836800	
35	9530N0870000	NUT	1	000004209			
36	9290N0810000	WASHER,SPRING	2	000005106	00005106C00	929070810000	
37	914012002000	SPLIT PIN	1	000009117		914012001200	
38	36LF53810100	AXLE,WHEEL RR.	1	1L1050001			
39	901702080100	NUT,HEX.	1	1L1050006		901702022400	
40	5KAF53770000	COLLAR	1	1L1050002		90387158W700	
41	90387208W800	COLLAR	1	1L1050005			
42	901711480000	NUT,CASTLE	1	1L1050007		901711402000	
43	902525580000	PIN,SPLIT	1	000009114	000009114C00	914013003000	
44	36LXF5380000	PULLER,CHAIN 1	1	1L1051000	1L1051000X00	36LF53880000	
45	5TSXF5390100	PULLER,CHAIN 2	1	1L1051100	1L1051100X00	36LF53890000	
46	901530801100	BOLT SPECIAL	2	1A1050012			
47	9530N0870000	NUT,HEX.	2	000004209		953070870000	
48	945080410900	CHAIN	1	1L1051200			
49	946688100100	CHAIN,JOINT	1	1L1051400	1L1051400X00		

NOTE :-

- 1) Requested to create the parts order in existing part no. i.e in 12 digit
- 2) Part numbers having no symbol in remarks column indicates its serviceability
- A) Part nos with symbol (Δ) are serviceable till stock
- B) Part nos with symbol (#) are not serviceable due to constraints

FIG. 25 STEERING HANDLE, CABLE



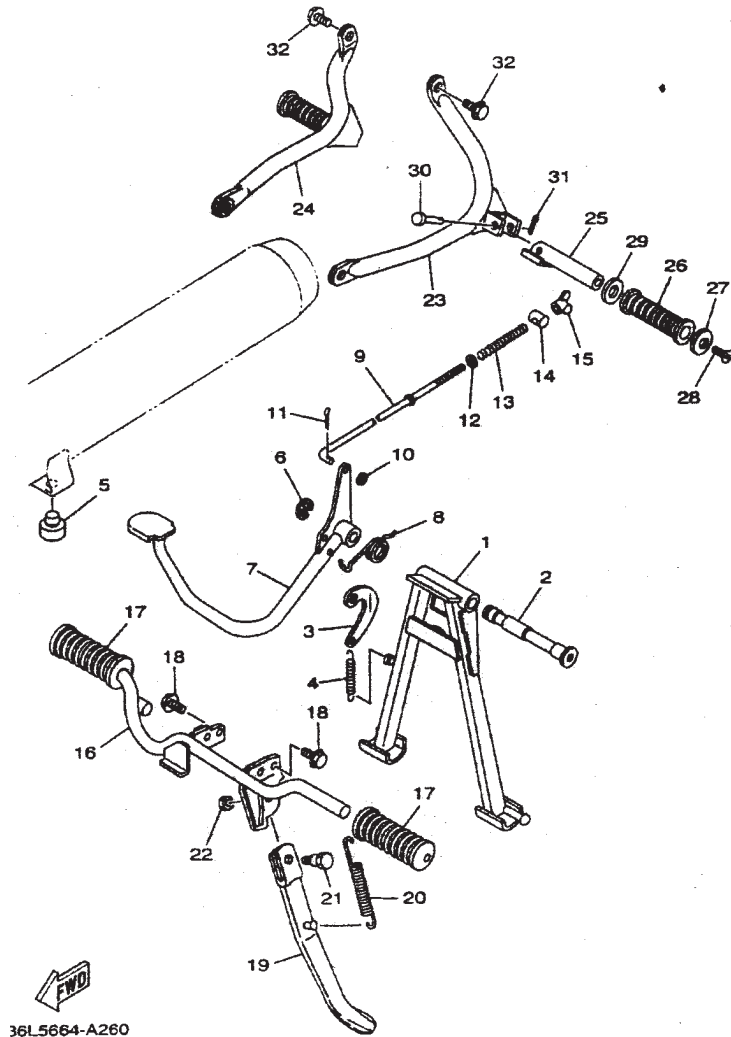
36L6664-B250

NOTE :-

- 1) Requested to create the parts order in existing part no. i.e in 12 digit
- 2) Part numbers having no symbol in remarks column indicates its serviceability
- A) Part nos with symbol (Δ) are serviceable till stock
- B) Part nos with symbol (#) are not serviceable due to constraints

REF. NO.	EXISTING PART NO.	PART NAME	36L0	9 DIGIT PART NO.	ESCORT 12 DIGIT	SUPERSEDED PART NO.	REMARKS
1	5YYF61110000	HANDLE COMP.	1	1L1190100	1L1190100X00	36LF61100000	
2	36LF62600000	WIRE CYLINDER ASSY.	1	1L1190200			
3	36LF62610000	CYLINDER	1	1L1190201			
4	36LF62680000	HOLDER,WIRE CYL.	1	1L1190202			
5	36LF63110000	WIRE,THROTTLE 1	1	1L1190300			
6	36LF63120000	WIRE,THROTTLE 2	1	1L1190500			
7	36LF63210000	WIRE,PUMP 1	1	1L1190600			
8	36LF63350000	WIRE,CLUTCH	1	1L1190700			
9	36LF63720000	COVER,LEVER	2	1L1190001			
10	36LF63631000	END,WIRE 1	1	1L1190010			
11	36LF63410000	WIRE,BRAKE 1	1	1L1190900			
12	36LF63720000	COVER,LEVER	2	1L1190001			
13	901230801300	BOLT,WIRE ADJUSTING	1	1L1190002		901230880500	
14	901230804600	BOLT,WIRE ADJUSTING	1	1L1190003		901230880400	
15	901790814800	NUT WIRE ADJUSTING	2	1L1190004		901790881000	
16	901230601000	BOLT,WIRE ADJUSTING	1	1L1190005		901230680100	
17	901790614300	NUT,WIRE ADJUSTING	1	1L1190006		901790681000	
18	36LF62410000	GRIP,1	1	1L1190007			
19	36LF62420000	GRIP,2	1	1L1190803			
20	36LF62430000	TUBE,GUIDE	1	1L1190801			
21	36LF62490000	RING,LEAF	1	1L1190802	1L1190802C00		
22	36LF62810000	CAP,GRIP UPPER	1	1L1191600	1L1191600X00		
23	36LF62821000	CAP,GRIP UNDER	1	1L1190011	123370004000	36LF62820000	
24	901570511600	SCREW,PAN	2	000034218			
25	36LF62802000	MIRROR ASSY.,1	1	1L1191000	1L1191000X00	36LF62800000	
26	36LF62902000	MIRROR ASSY.,2	1	1L1191100	1L1191100X00	36LF62900000	
27	36LF63520000	BOOT	2	1L1190901			
28	36LF62400000	GRIP ASSY.	1	1L1190800			

FIG. 26 STAND, FOOTREST



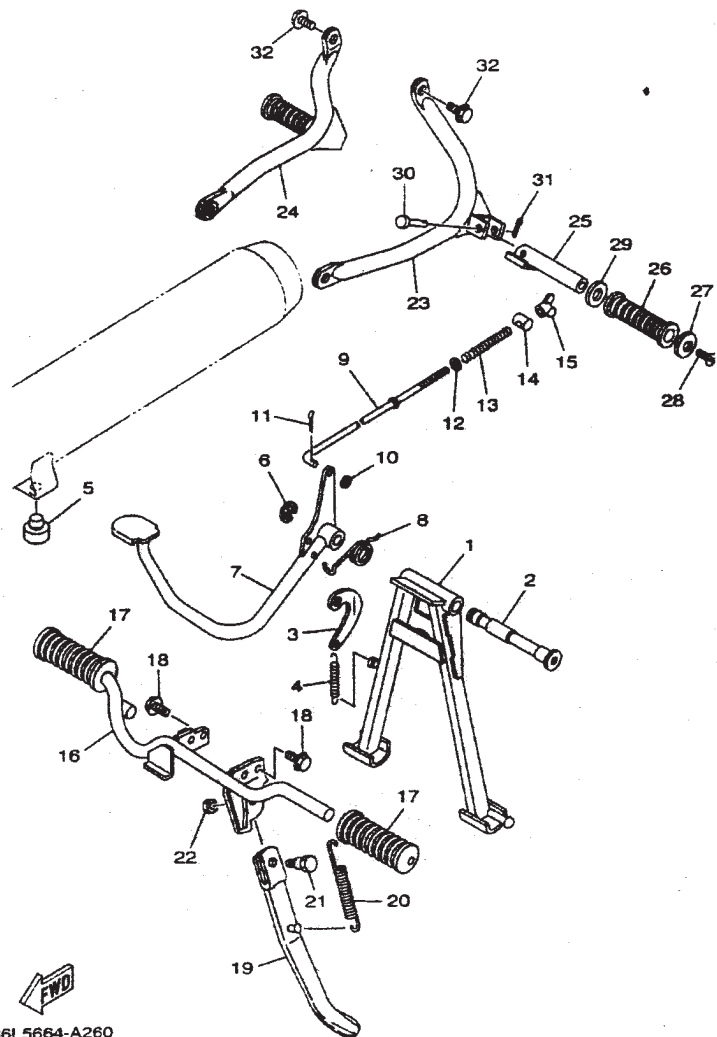
36L5664-A260

REF. NO.	EXISTING PART NO.	PART NAME	36L0	9 DIGIT PART NO.	ESCORT 12 DIGIT	SUPERSEDED PART NO.	REMARKS
1	36LF71110100	STAND,MAIN	1	1L1200100		36LF71110000	
2	36LF71120000	SHAFT,MAIN STAND	1	1L1200001			
3	36LF71150000	LINK,MAIN STAND	1	1L1200002			
4	905062905400	SPRING,TENSION	1	1L1200003			
5	36LF71140000	STOPPER	1	1L1200004			
6	934301280900	CIRCLIP	1	000016315			
7	36LF72110100	PEDAL,BRAKE	1	1L1170100			
8	905083205600	SPRG.,TORSION	1	1L1170002			
9	36LF72310000	ROD,BRAKE	1	1L1170001			
10	929070660000	WASHER,PLAIN	1	000006105		9290N0660000	
11	914012002000	PIN,SPLIT	1	000009103		914012001200	
12	929070660000	WASHER,PLAIN	2	000006105		9290N0660000	
13	905011024500	SPRG.,COMPRESSION	1	1L1170003			
14	902491200800	PIN	1	1A1170002			
15	901790680600	NUT WING	1	1L1170004		901750601300	
16	36LF74110000	FOOTREST	1	1L1110100			
17	36LF74130000	COVER,FOOTREST	2	1L1110001			
18	9580N0802000	BOLT,FLG.	2	000002607		958070802000	
19	36LWF7310000	STAND,SIDE ASSY.	1	1L1330100			
20	905062504700	SPRG.,TENSION	1	1L1330001			
21	901090803200	BOLT	1	1L1330002			
22	9530N0870000	NUT,HEX.	1	000004209		953070870000	
23	36LF74320000	BRACKET 1 LH	1	1L1260100			
24	36LF74420000	BRACKET 2 RH	1	1L1260200			
25	36LF74310200	FOOTREST,REAR 1	2	1L1260300			
26	36LF74330200	COVER,REAR FOOTREST	2	1L1260004			

NOTE :-

- 1) Requested to create the parts order in existing part no. i.e in 12 digit
- 2) Part numbers having no symbol in remarks column indicates its serviceability
- A) Part nos with symbol (Δ) are serviceable till stock
- B) Part nos with symbol (#) are not serviceable due to constraints

FIG. 26 STAND, FOOTREST

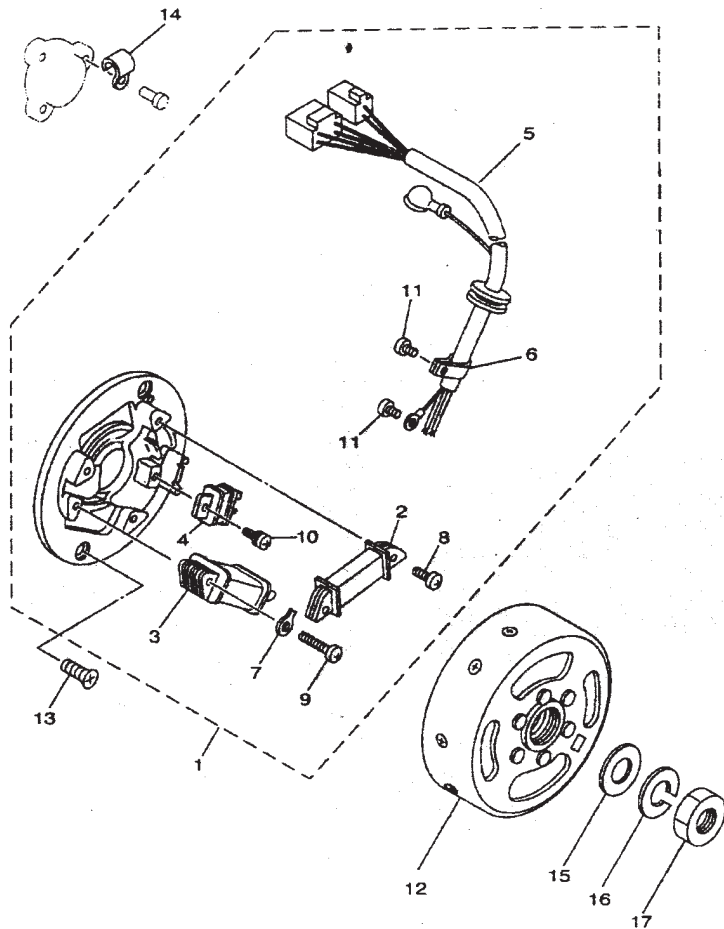


36L5664-A260

NOTE :-

- 1) Requested to create the parts order in existing part no. i.e in 12 digit
- 2) Part numbers having no symbol in remarks column indicates its serviceability
- A) Part nos with symbol (Δ) are serviceable till stock
- B) Part nos with symbol (#) are not serviceable due to constraints

REF. NO.	EXISTING PART NO.	PART NAME	36L0	9 DIGIT PART NO.	ESCORT 12 DIGIT	SUPERSEDED PART NO.	REMARKS
27	36LF743E0000	STOPPER	2	1L1260002			
28	9870N0601600	SCREW,FLAT	2	000034103		987076016000	
29	902012081600	WASHER,PLAIN	2	1L1260003		902012081000	
30	902400605200	PIN,W/HOLE	2	1L1260001			
31	914011601200	PIN,SPLIT	2	000009118		902522780000	
32	9580N0802000	BOLT,FLG.	2	00002607		958070802000	



FWD
36L5664-A271

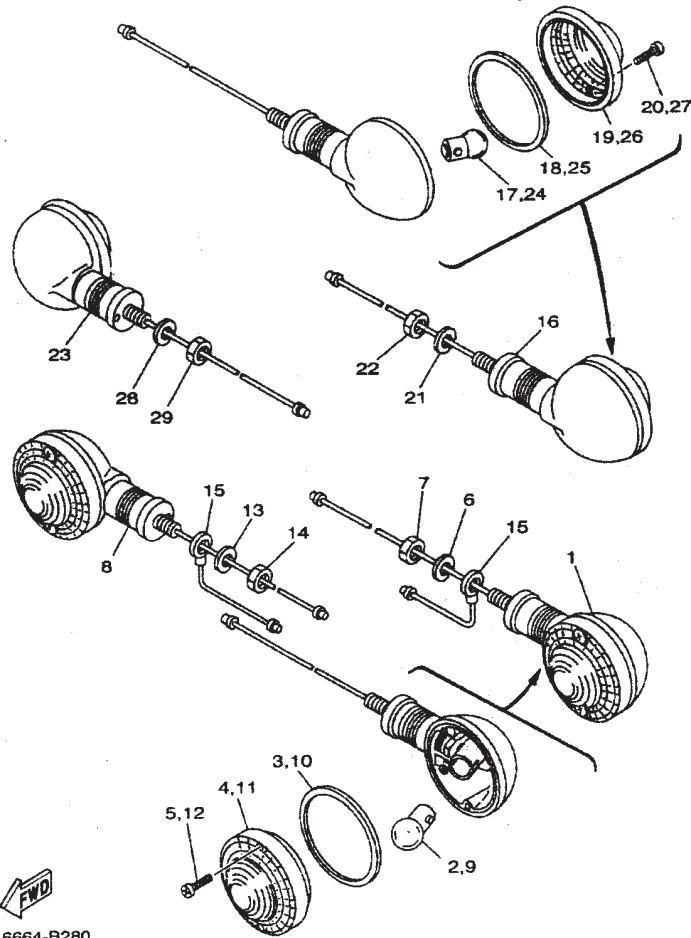
FIG. 27 GENERATOR

REF. NO.	EXISTING PART NO.	PART NAME	36L0	9 DIGIT PART NO.	ESCORT 12 DIGIT	SUPERSEDED PART NO.	REMARKS
1	36LH5560V000	BASE ASSY.	1	1L1620300			Δ
2	36LH5520V000	CHARGE COIL ASSY.	1	1L1620400			
3	36LH1313V000	COIL,LIGHTING 1	1	1L1620600			
4	36LH5580V000	PULSER ASSY.	1	1L1620800			#
5	36LH131XV000	CORD ASSY	1				#
6	904610503600	CLAMP	1	1L1620302			#
7	36LH5569V000	TERMINAL,EARTH 2	1	1L1620303			#
8	985170401200	SCREW,PAN HEAD (+)	2	9851N0401200	985170401200	985170401200	#
9	9851N0402500	SCREW,PAN HEAD (+)	2	000032230		985170402500	#
10	9760N0411000	SCREW,PAN HEAD W/WASHER	1	000032237		985800401000	#
11	985070400600	SCREW,PAN HEAD W/WASHER	2	000032230			#
12	36LH5550V000	ROTOR ASSY.	1	1L1620200			#
13	9870N0601400	SCREW,FLAT HEAD (+)	2	000034302		987070601400	
14	904620501200	CLAMP	1	1L1620001			#
15	902011217800	WASHER,PLAIN	1	1L1620002			
16	9290N1210000	WASHER,SPRING	1			929071210000	
17	901701234700	NUT,HEX.	1	1L1620003	1L1620003X00		

NOTE :-

- 1) Requested to create the parts order in existing part no. i.e in 12 digit
- 2) Part numbers having no symbol in remarks column indicates its serviceability
- A) Part nos with symbol (Δ) are serviceable till stock
- B) Part nos with symbol (#) are not serviceable due to constraints

FIG. 28 FLASHER LIGHT

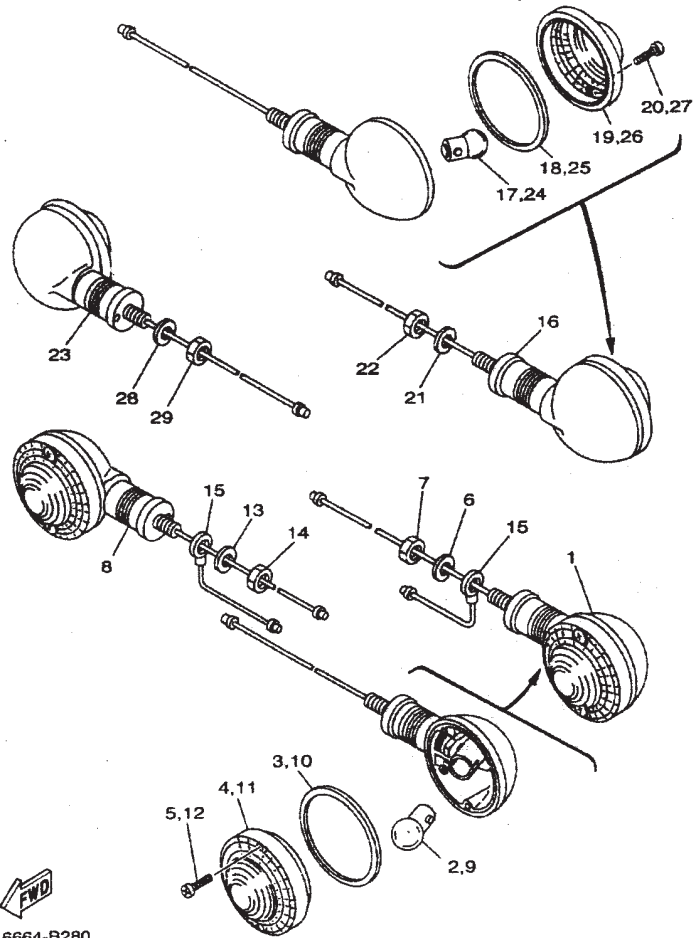


REF. NO.	EXISTING PART NO.	PART NAME	36L0	9 DIGIT PART NO.	ESCORT 12 DIGIT	SUPERSEDED PART NO.	REMARKS
1	36LH3310V000	FRONT FLASHER LIGHT ASSY.,1	1	1	1L1240100		
2	36LH3311V000	BULB INDICATOR 6V 10W	1	000018140	000018140C00		Δ
3	36LH3313V000	GASKET LENS FLASHER	1	120310603	120310603C00		Δ
4	36LH3312V000	LENS FLASHER LIGHT	1	120310602	120310602C00		#
5	977023052000	SCREW PAN HEAD TAPPING	2	000033805	000033805000		#
6	9290N1010000	WASHER,SPRING	4	000005107		929071010000	
7	9530N1060000	NUT,HEX.	4	000004119		953071060000	
8	36LH3320V000	FR. FLASHER LIGHT ASSY.,2	1	1L1240300			
9	36LH3311V000	BULB INDICATOR 6V 10W	1	000018140	000018140C00		Δ
10	36LH3313V000	GASKET LENS FLASHER	1	120310603	120310603C00		Δ
11	36LH3312V000	LENS FLASHER LIGHT	1	120310602	120310602C00		#
12	977023052000	SCREW PAN HEAD TAPPING	2	000033805	000033805000		#
13	9290N1010000	WASHER,SPRING	4	000005107		929071010000	
14	9530N1060000	NUT,HEX. (C-LOCAL)	4	000004119		953071060000	
15	36LH33540000	WIRE,EARTH LEAD	2	NO ESC.NO			Δ
16	36LH3330V000	RR. FLASHER LIGHT ASSY.,1	1	1L1240500			
17	36LH3311V000	BULB INDICATOR 6V 10W	1	000018140	000018140C00		Δ
18	36LH3313V000	GASKET LENS FLASHER	1	120310603	120310603C00		Δ
19	36LH3312V000	LENS FLASHER LIGHT	1	120310602	120310602C00		#
20	977023052000	SCREW PAN HEAD TAPPING	2	000033805	000033805000		#
21	9290N1010000	WASHER,SPRING	4	000005107		929071010000	
22	9530N1060000	NUT,HEX.	4	000004119		953071060000	
23	36LH3340V000	RR. FLASHER LIGHT ASSY.,2	1	1L1240700			
24	36LH3311V000	BULB INDICATOR (6V- 10W)	1	000018140	000018140C00		Δ
25	36LH3313V000	GASKET LENS FLASHER	1	120310603	120310603C00		Δ
26	36LH3312V000	LENS FLASHER LIGHT	1	120310602	120310602C00		#

NOTE :-

- 1) Requested to create the parts order in existing part no. i.e in 12 digit
- 2) Part numbers having no symbol in remarks column indicates its serviceability
- A) Part nos with symbol (Δ) are serviceable till stock
- B) Part nos with symbol (#) are not serviceable due to constraints

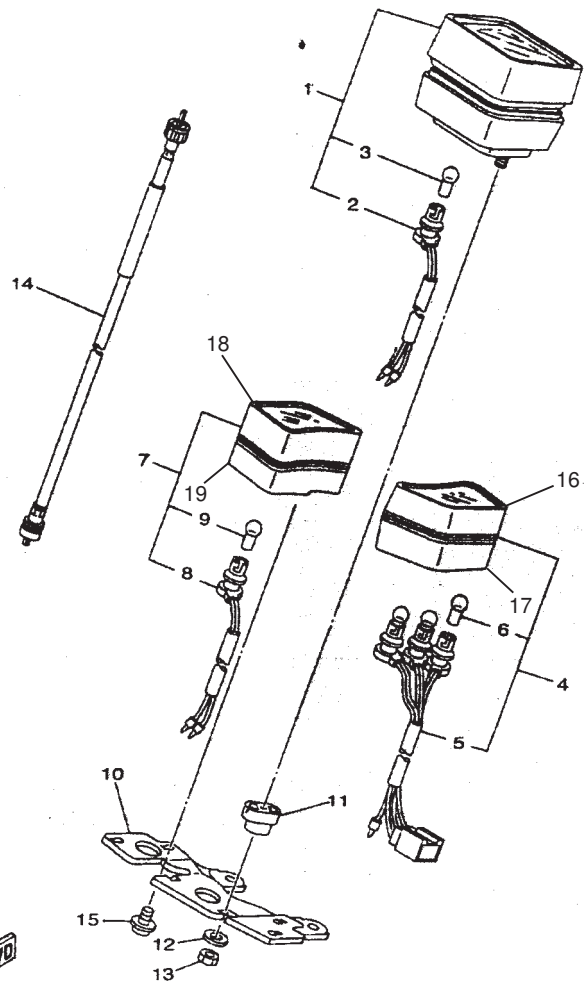
FIG. 28 FLASHER LIGHT



36L6664-B280

REF. NO.	EXISTING PART NO.	PART NAME	36L0	9 DIGIT PART NO.	ESCORT 12 DIGIT	SUPERSEDED PART NO.	REMARKS
27	977023052000	SCREW PAN HEAD TAPPING	2	000033805	000033805000		#
28	9290N1010000	WASHER,SPRING	4	000005107		929071010000	
29	9530N1060000	NUT,HEX.	4	000004119		953071060000	
	NO YGK NO	BODY INDICATOR	4		120310601000		#
	NO YGK NO	STAY INDICATOR,FRONT	2		120310700000		#
	NO YGK NO	STAY INDICATOR ,REAR	2		120311400000		#

- NOTE :-
- 1) Requested to create the parts order in existing part no. i.e in 12 digit
 - 2) Part numbers having no symbol in remarks column indicates its serviceability
 - A) Part nos with symbol (Δ) are serviceable till stock
 - B) Part nos with symbol (#) are not serviceable due to constraints



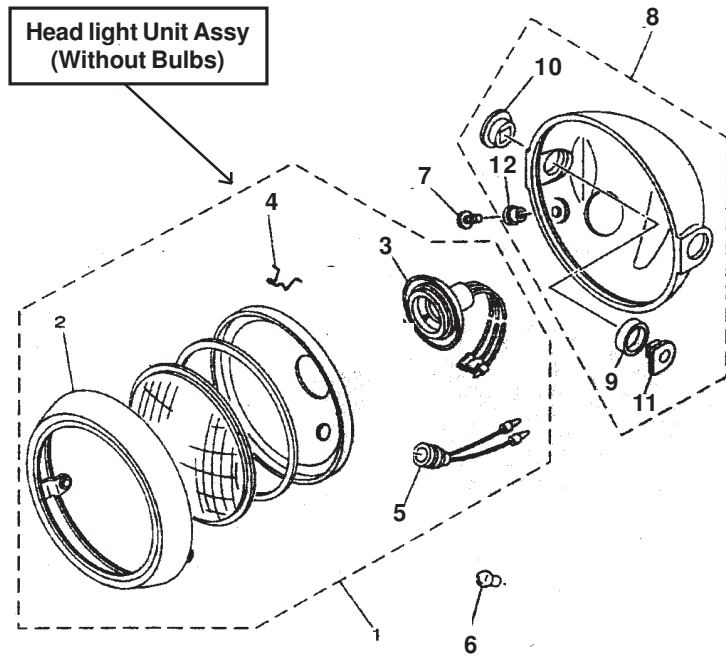
36L6664-B290

NOTE :-

- 1) Requested to create the parts order in existing part no. i.e in 12 digit
- 2) Part numbers having no symbol in remarks column indicates its serviceability
- A) Part nos with symbol (Δ) are serviceable till stock
- B) Part nos with symbol (#) are not serviceable due to constraints

FIG. 29 METER

REF. NO.	EXISTING PART NO.	PART NAME	36L0	9 DIGIT PART NO.	ESCORT 12 DIGIT	SUPERSEDED PART NO.	REMARKS
1	36LH3510V000	SPEEDO. ASSY.	1	1L1250200			
2	36LH3509V000	SOCKET CORD ASSY RH	1	1L1250900			
3	36LH3516V000	BULB,PILOT	3	000018139	000018139C00		Δ
4	36LH3530V000	PILOT LIGHT ASSY (LH)	1	1L1252200			
5	36LH3520V000	SOCKET PILOT LAMP LH	1	1L1251400			
6	36LH3516V000	BULB,PILOT	2	000018139	000018139C00		Δ
7	36LH35821000	PILOT LAMP ASSY.	1	1L1252300		36LH3582V000	#
8	36LH355TV000	SOCKET ASSY PILOT LAMP RH	1		1L1251900		
9	36LH3516V000	BULB,PILOT	2	000018139	000018139C00		Δ
10	36LH3519V000	BRKT.,METER	1	1L1250101			
11	36LH3523V000	DAMPER	2	1L1250102	1L1250102X00		
12	36LH35240000	WASHER,SPECIAL	2	1L1250103			Δ
13	9530M0560000	NUT,HEX.	2	000004105		953060560000	
14	36LH35500000	SPEEDOMETER CABLE COMP	1	1L1252000			
15	9770N4011600	SCREW,PAN TAPPING	4	000033810	000033810000		Δ
16	36LH 3568V0000	PILOTLAMP ASSY HSG. UPPER LH	1	1L1251100			
17	36LH 35690000	PILOTLAMP ASSY HSG. LOWER LH	1	1L1251300			
18	36LH 350H0000	PILOTLAMP ASSY HSG. UPPER RH	1	1L1251600			
19	36LH 3569V0000	PILOTLAMP ASSY HSG. UPPER LH	1	1L1251800			



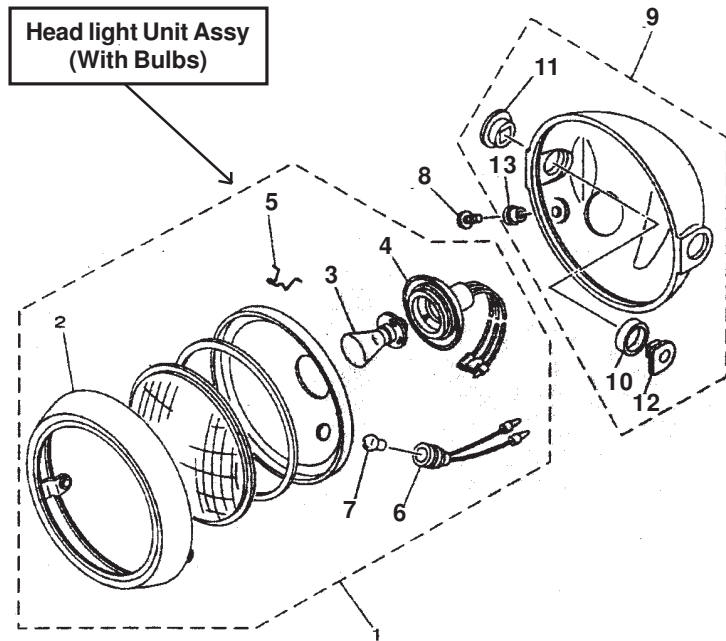
36L5664-A300

FIG. 30 HEADLIGHT

REF. NO.	EXISTING PART NO.	PART NAME	36L0	9 DIGIT PART NO.	ESCORT 12 DIGIT	SUPERSEDED PART NO.	REMARKS
1	36LH41100900	HEAD LIGHT UNIT ASSY.,1 (WITHOUT BULBS)	1			36LH4310V000	
2	36LH4115V000	RIM HEAD LIGHT	1	1L1280400	1L1280400X00		
3	36LH4140V000	SOCKET CORD ASSY H/L	1	1L1280700			
4	36LH4124V000	SPRING SET	3	1L1280301			
5	36LH41500000	SOCKET CORD ASSY P/L	1	1L1280800		36LH4150V000	
6	36LH4147V000	BULB PARK LIGHT	1	000018142	000018142X00		
7	9760N0521200	SCREW,PAN W/WASHER	2	000034216		976070521200	
8	36LH413E0000	BODY ASSY.	1	1L1280200		36LH4130V000	
9	36LH41630000	DAMPER HEAD LIGHT A	2	1L1280202			
10	36LH41640000	DAMPER HEAD LIGHT B	2	1L1280203			
11	36LH43070000	COLLAR BODY FITTING	2	1L1280204			
12	902090680000	WASHER SPECIAL	2	1L1280205	1L1280205X00		#

NOTE :-

- 1) Requested to create the parts order in existing part no. i.e in 12 digit
- 2) Part numbers having no symbol in remarks column indicates its serviceability
- A) Part nos with symbol (Δ) are serviceable till stock
- B) Part nos with symbol (#) are not serviceable due to constraints




 36L5664-A300

FIG. 30A HEADLIGHT

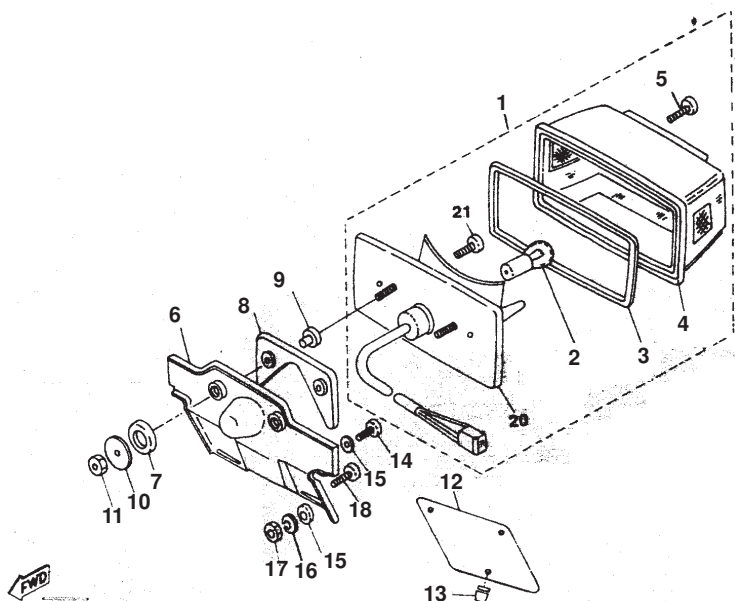
FOR EXPORT USE ONLY

REF. NO.	EXISTING PART NO.	PART NAME	36L0	9 DIGIT PART NO.	ESCORT 12 DIGIT	SUPERSEDED PART NO.	REMARKS
1	36LH4110V000	HEAD LIGHT UNIT ASSY.,1 (WITH BULBS)	1			36LH4310V000	
2	36LH4115V000	RIM HEAD LIGHT	1	1L1280400	1L1280400X00		
3	36LH4114V000	BULB,HEAD LIGHT (6 V/25/25 W)	1		18141	000018141X00	
4	36LH4140V000	SOCKET CORD ASSY H/L	1	1L1280700			
5	36LH4124V000	SPRING SET	3	1L1280301			
6	36LH41500000	SOCKET CORD ASSY P/L	1	1L1280800		36LH4150V000	
7	36LH4147V000	BULB PART LIGHT	1	000018142	000018142X00		
8	9760N0521200	SCREW,PAN W/WASHER	2	000034216		976070521200	
9	36LH413E0000	BODY ASSY.	1	1L1280200		36LH4130V000	
10	36LH41630000	DAMPER HEAD LIGHT A	2	1L1280202			
11	36LH41640000	DAMPER HEAD LIGHT B	2	1L1280203			
12	36LH43070000	COLLAR BODY FITTING	2	1L1280204			
13	36LH4127V000	WASHER SPECIAL	2	1L1280205	1L1280205X00		#
14	36LH41210000	REF. ASSY. WITH SOCKET	1	1L1280900	1L12809000000		

NOTE :-

- 1) Requested to create the parts order in existing part no. i.e in 12 digit
- 2) Part numbers having no symbol in remarks column indicates its serviceability
- A) Part nos with symbol (Δ) are serviceable till stock
- B) Part nos with symbol (#) are not serviceable due to constraints

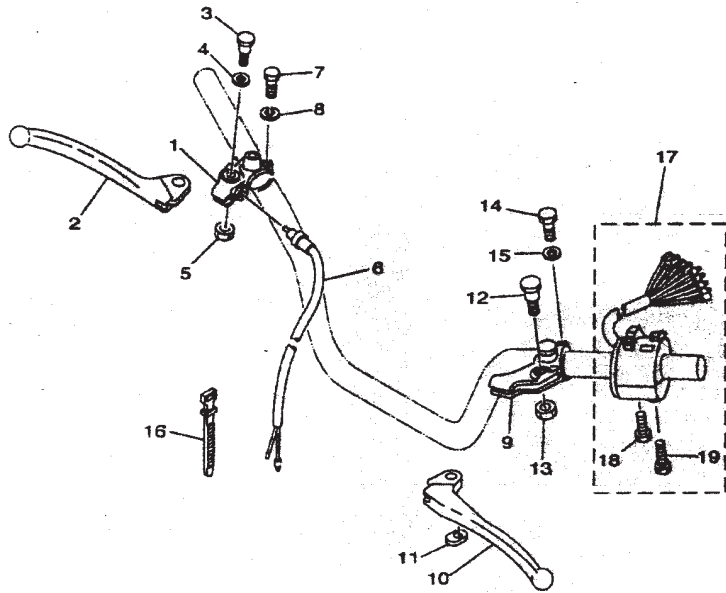
FIG 31 TAILLIGHT



REF. NO.	EXISTING PART NO.	PART NAME	36LO	9 DIGIT PART NO.	ESCORT 12 DIGIT	SUPERSEDED PART NO.	REMARKS
1	36LH4510V000	TAIL LIGHT UNIT ASSY.	1	1L1290200			
2	36LH4514V000	BULB TAIL LIGHT	1	000018123	000018123C00		Δ
3	36LH4523V000	GASKET LENS	1	1L1290201			Δ
4	36LH4521V000	LENS TAIL LIGHT	1	1L1290300			
5	9850N0601200	SCREW TAPPING	2	000033815	000033815C00	985070601200	Δ
6	36LH4551V000	BRKT.,LICENSE	1	1L1290101			
7	36LH4553V000	DAMPER	2	1L1290102			Δ
8	36LH4542V000	SHEET,BASE	1	1L1290103			Δ
9	36LH4557V000	COLLAR	2	1L1290104			
10	36LH4554V000	WASHER,PLAIN	2	1L1290001			Δ
11	9530N0660000	NUT,HEX.	4	000004107		953070660000	
12	36LF16811000	PLATE LICENCE	1	1L1290002			
13	4LSF16490000	RUBBER PAD	1	1L1010003		131010003C00	#
14	9850N0601600	SCREW PANHEAD	4		0000034222	985070601600	
15	929070620000	WASHER,PLAIN	2				
16	9290N0610000	WASHER,SPRING	2	000005105		9290706100	
17	9530N0660000	NUT,HEX.	2	000004107		9530706600	
18	9850N0601200	SCREW PANHEAD	2			985070601200	

NOTE :-

- 1) Requested to create the parts order in existing part no. i.e in 12 digit
- 2) Part numbers having no symbol in remarks column indicates its serviceability
- A) Part nos with symbol (Δ) are serviceable till stock
- B) Part nos with symbol (#) are not serviceable due to constraints




36L6664-B320

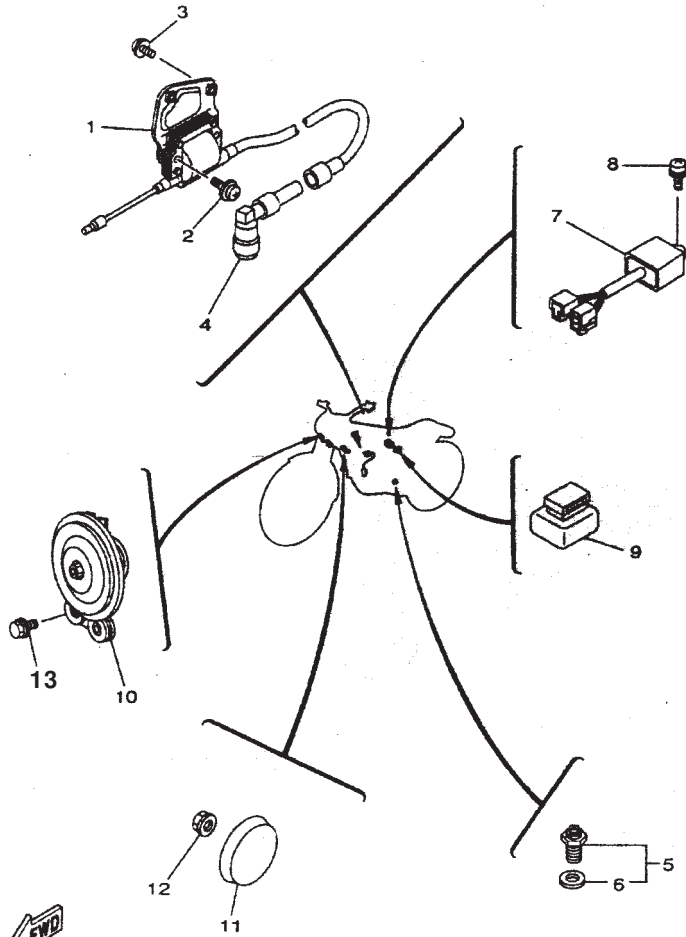
FIG. 32 HANDLE SWITCH, LEVER

REF. NO.	EXISTING PART NO.	PART NAME	36L0	9 DIGIT PART NO.	ESCORT 12 DIGIT	SUPERSEDED PART NO.	REMARKS
1	36LH2921V000	HOLDER, LEVER 2	1	1L1191201			
2	36LH3922V000	LEVER, 2	1	1L1191202			
3	36LH39451000	BOLT, LEVER	2	1L1191203		36LH3945V000	
4	902010808500	WASHER, PLAIN	1	1L1600402			
5	9570N0630000	NUT, NYLON	2	000004408		9570L0630000	
6	36LH3980V000	FR. STOP SWITCH ASSY.	1	1L1191300			
7	36LH39451000	BOLT, LEVER	1	1L1191203		36LH3945V000	
8	9290N0610000	WASHER, SPRING	1	000009105		929070610000	Δ
9	5YYH29110000	HOLDER, LEVER 1	1	1L1191401		36LH2911V000	
10	36LH39120000	LEVER, 1	1	1L1191402		36LH3912V000	
11	36LH3929V000	PLATE, SPRING	1	1L1191403	1L1191403C00		
12	36LH39451000	BOLT, LEVER	1	1L1191203		36LH3945V000	
13	9570N0630000	NUT, NYLON	2				
14	9700N0602500	BOLT, HEX.	1	000002106		9702N0602200	
15	902010808500	WASHER, PLAIN	1	1L1600402			
16	36LH39360000	BAND, SWITCH CORD	2	1L1191500			
17	36LH3972V000	SWITCH HANDLE 4	1	1L1301100			
18	985060503000	SCREW, PAN HEAD	1	1L1301117	1L1301117X00	985070503000	Δ
19	985060503500	SCREW, PAN HEAD	1	1L1301117	1L1301118X00		#

NOTE :-

- 1) Requested to create the parts order in existing part no. i.e in 12 digit
- 2) Part numbers having no symbol in remarks column indicates its serviceability
- A) Part nos with symbol (Δ) are serviceable till stock
- B) Part nos with symbol (#) are not serviceable due to constraints

FIG. 33 ELECTRICAL 1



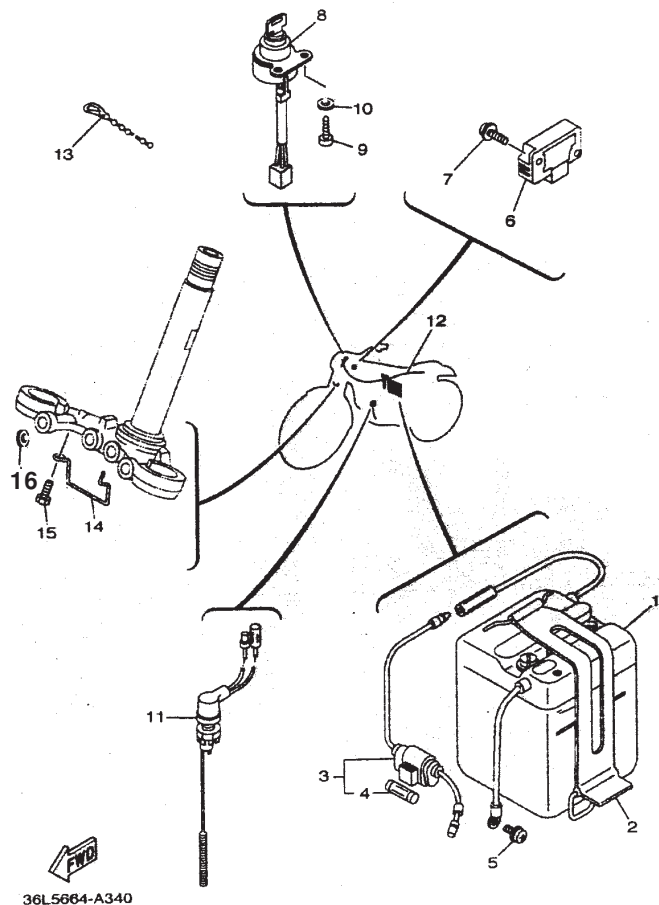
36L6664-B330

NOTE :-

- 1) Requested to create the parts order in existing part no. i.e in 12 digit
- 2) Part numbers having no symbol in remarks column indicates its serviceability
- A) Part nos with symbol (Δ) are serviceable till stock
- B) Part nos with symbol (#) are not serviceable due to constraints

REF. NO.	EXISTING PART NO.	PART NAME	36L0	9 DIGIT PART NO.	ESCORT 12 DIGIT	SUPERSEDED PART NO.	REMARKS
1	36LH2310V000	IGN. COIL ASSY.	1	1L1303100		36LH23100000	
2	9760N0612000	SCREW,PAN W/WASHER	2				Δ
3	9850N0601200	SCREW,PAN HEAD W/WASHER	2	000034221		9760N0601200	Δ
4	36LH2370V000	PLUG CAP ASSY.	1	1A1301800	1A1301806		
5	36LH2540V100	NEUTRAL SWITCH ASSY.	1	1L1302300			
6	36LH258HV000	GASKET	1	1L1302305		36LH258H0000	
7	36LH55401000	CDI. UNIT ASSY.	1	1L1300500			
8	9760N0612000	SCREW,PAN W/WASHER	1				Δ
9	36LH3350V000	FLASHER RELAY ASSY.	1	1L1300700			
10	36LH3371V000	HORN	1	1L1300400			
11	36LH5110V000	FR. REFLECTOR ASSY.,1	2	1A1013300			
12	9570L0530000	NUT,NYLON	2	000004405		9570N0550000	Δ
13	950270602000	BOLT,HEX	2			970070602000	

FIG. 34 ELECTRICAL 2

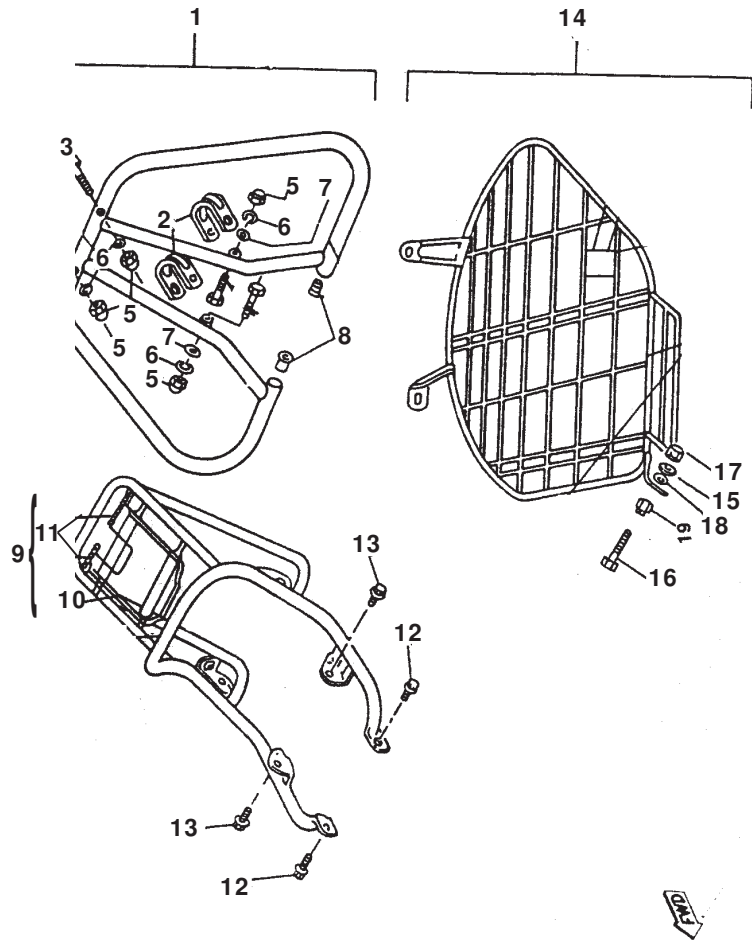


REF. NO.	EXISTING PART NO.	PART NAME	36L0	9 DIGIT PART NO.	ESCORT 12 DIGIT	SUPERSEDED PART NO.	REMARKS
1	36LH21100000	BTRY. ASSY.	1	1L1300800			
2	36LH21310000	BAND,BATTERY	1	1L1301000			
3	36LH2150V000	FUSE HOLDER ASSY.	1	1L1300900			
4	36LH2151V000	FUSE	2	1L1300901			
5	9850N0601200	SCREW,PAN W/WASHER	1	000034221		9760N0601200	Δ
6	36LH1960V000	RECTIFIER REGULATOR ASSY.	1	1L1300300			
7	9850N0601200	SCREW,PAN W/WASHER	2	000034221		9760N0601200	Δ
8	36LH25100100	MAIN SWITCH ASSY.	1	1L1303300		36LH25100000	
9	9770N4051000	SCREW,PAN TAPPING	2	000033808		977074051000	
10	929070660000	WASHER,PLAIN	1	000005105		9290N0660000	
11	36LH2530V100	BRAKE LIGHT SWITCH ASSY.	1	1L1300600		36LH2530V000	
12	36LH25900000	WIRE HARNESS ASSY.	1	1L1300100			
13	904642003100	CLAMP	4	1L1300001			
14	36LH25940000	CLAMP	1	1L1300002			
15	970170601600	BOLT,HEX	1	000002104		9700N0601600	
16	929070660000	WASHER	1	000006105		9290N0660000	

NOTE :-

- 1) Requested to create the parts order in existing part no. i.e in 12 digit
- 2) Part numbers having no symbol in remarks column indicates its serviceability
- A) Part nos with symbol (Δ) are serviceable till stock
- B) Part nos with symbol (#) are not serviceable due to constraints

FIG. 35 OPTIONAL PARTS



REF. NO.	EXISTING PART NO.	PART NAME	36LO	9 DIGIT PART NO.	ESCORT 12 DIGIT	SUPERSEDED PART NO.	REMARKS
1	36LF840K0000	GUARD COMP.,1	1	1L1320000			
2	36LF84130000	CLAMP	2	1L1320001			
3	970070804000	BOLT	2	000002122			
4	970070803500	BOLT	2	000002229			#
5	901760880000	NUT CAP	4	000004603		953040880000	#
6	9290N0810000	WASHER SPRING	4	000005106		929070810000	
7	929070860000	WASHER	2	000006106			
8	36LF59160000	PLUG	2	1L1320102			#
9	36LF48319000	LUGGAGE CARRIER	1	1L1180100			
10	36LF63930000	LUGGAGE HOLDER	1	1L1180101			#
11	36LF63931000	SPRING LUGGAGE	1	1L1180102,03			#
12	958170601200	BOLT FLANGE	2	000002605			
13	9580N0801200	BOLT FLANGE	2	000002606		958170801200	
14	36LWF1290000	PROTECTOR FOOTREST	1				
15	9290N0810000	WASHER,SPRING (B-LOCAL)	4	000005106		92907N0810000	
16	970070805000	BOLT	1	000002242			#
17	953040880000	NUT CAP	1	000004603			
18	929070860000	WASHER	4	000006106			

NOTE :-

- 1) Requested to create the parts order in existing part no. i.e in 12 digit
- 2) Part numbers having no symbol in remarks column indicates its serviceability
- A) Part nos with symbol (Δ) are serviceable till stock
- B) Part nos with symbol (#) are not serviceable due to constraints

INDEX-RX100

PART NO	REF. NO.	PART NO	REF. NO.	PART NO	REF. NO.	PART NO	REF. NO.	PART NO	REF. NO.	PART NO	REF. NO.
901090680600	12-20	36LE31380000	3-3	36LE41580000	5-33	36LE51280000	7-7	36LE63460000	10-27	36LE85610000	12-3
932101980900	8-29	36LE31460000	3-10	36LE41610000	5-28	36LE53530000	12-16	36LE63510000	10-6	36LE85790000	12-8
985070501400	3-14	36LE31740000	3-20	36LE41690000	5-11	36LE53570000	8-13	36LE63560000	10-17	36LWE5150000	7-1
36LE11110000	1-4	36LE31750100	3-11	36LE41710000	5-6	36LE53620000	8-28	36LE63570000	10-19	36LXE7410000	11-1
36LE11270000	1-2	36LE31760000	3-16	36LE41810000	5-34	36LE53710000	7-9	36LE63710000	10-3	36LXE8110000	13-1
36LE11280000	1-3	36LE31780000	3-17	36LE41840000	5-3	36LE54110000	8-1	36LE71210000	11-2	401161110000	10-11
36LE11610000	1-9	36LE35650000	4-3	36LE41850000	5-4	36LE54150000	8-14	36LE71310000	11-3	4TLE56210000	9-12
36LE11620000	1-10	36LE36100000	4-1	36LE41860000	5-2	36LE54210000	8-27	36LE71410000	11-4	4TLE85890000	12-7
36LE11810000	1-5	36LE36210000	4-2	36LE41902000	5-22	36LE54350000	8-15	36LE72110100	11-8	5KAE63211000	10-5
36LE13111000	1-8	36LE41010000	5-1	36LE41910000	5-10	36LE54350000	8-25	36LE72210000	11-11	5REE63240000	10-4
36LE13510000	1-11	36LE41122000	5-18	36LE41950000	5-23	36LE54430000	8-16	36LE72310000	11-12	5URE56610000	9-4
36LE14000900	2-1	36LE41160200	5-20	36LE41960000	5-9	36LE54470000	8-19	36LE72410000	11-13	901091438500	12-15
36LE16030000	2-11	36LE41220000	5-25	36LE41960000	5-15	36LE54510000	8-23	36LE72850000	11-14	901130601300	10-21
36LE16040000	2-11	36LE41230000	5-21	36LE44010000	4-8	36LE54900000	8-24	36LE74210000	11-7	901160816600	6-4
36LE16050000	2-11	36LE41240000	5-29	36LE44020000	4-12	36LE56110000	9-11	36LE74710000	11-17	901160839300	1-7
36LE16060000	2-11	36LE41260000	5-13	36LE44240000	4-10	36LE56180000	9-17	36LE81110000	13-10	901161027800	1-13
36LE16070000	2-11	36LE41310000	5-14	36LE44510100	4-11	36LE56200000	9-19	36LE81120000	13-16	901190580100	10-8
36LE16310100	2-9	36LE41330000	5-24	36LE44530000	4-6	36LE56410000	9-5	36LE81130000	13-11	901490809400	13-4
36LE16330000	2-10	36LE41340000	5-26	36LE44760100	4-9	36LE56510000	9-1	36LE81150000	13-15	901700802900	13-5
36LE16350000	2-9	36LE41360000	5-32	36LE44840000	4-20	36LE56660000	9-9	36LE81400000	12-19	901701206000	10-9
36LE16360000	2-9	36LE41370000	5-31	36LE46110000	6-1	36LE56760000	9-7	36LE81880000	8-7	901790841000	1-6
36LE16370000	2-9	36LE41412800	5-17	36LE46120000	6-2	36LE61500000	10-1	36LE85110000	12-10	901791081200	1-12
36LE16380000	2-9	36LE41420000	5-19	36LE46130000	6-3	36LE61540000	10-2	36LE85120000	12-11	901791280000	10-13
36LE31000100	3-1	36LE41432300	5-16	36LE47101000	6-6	36LE63410000	8-2	36LE85130000	12-12	901791622600	11-24
36LE31160000	3-13	36LE41450000	5-12	36LE47130000	6-9	36LE63410000	10-23	36LE85310000	12-13	902010685700	4-22
36LE31370003	3-2	36LE41460000	5-5	36LE47140000	6-10	36LE63420000	8-3	36LE85350000	12-14	902010808500	13-13
36LE31370005	3-2	36LE41470000	5-30	36LE47530000	6-7	36LE63420000	10-24	36LE85400200	12-1	902010862400	3-12
36LE31370010	3-2	36LE41471000	5-27	36LE48620000	6-12	36LE63460000	8-6	36LE85420000	12-5	90201122H200	13-17

INDEX-RX100

PART NO	REF. NO.	PART NO	REF. NO.	PART NO	REF. NO.	PART NO	REF. NO.	PART NO	REF. NO.	PART NO	REF. NO.
902011458600	13-8	904682604800	9-6	931041180600	10-25	947030083000	1-1	9890N0400800	3-6		
902011580900	9-15	904801205300	4-15	931041480800	3-15	9530M0560000	3-4	995301401600	7-6		
902011582700	9-2	904801410200	4-16	931090580400	10-20	953170660000	10-22				
902011582800	11-10	905011035300	12-17	931091480300	13-7	957070850000	6-5				
902011755800	10-15	905011208100	9-14	932101802300	2-3	9580N0801600	6-11				
902012026600	11-5	905012056800	10-7	93306205Y000	2-13	9700N0602500	4-18				
902081201500	10-10	905060881800	13-2	93306303Y100	11-16	9700N0602500	13-19				
902081201500	10-14	905060980900	12-21	93306304Y100	11-19	9750N0652500	4-4				
902150801400	13-6	905061006900	8-5	93306304Y200	2-12	976070511200	12-4				
902151612700	11-25	905061006900	10-26	93310214Y200	2-7	9760N0611600	4-21				
902400805300	13-12	905082648400	9-8	93311315Y000	11-15	9760N0611600	6-8				
902800301700	2-2	905083281100	13-3	93311315Y000	11-21	9850N0600800	12-9				
902820500500	10-12	905601714700	10-16	934102080900	11-6	9850N0601200	11-18				
903381980200	11-26	913170802500	9-18	934300881000	3-19	9850N0601600	4-19				
903401200500	7-11	914011601200	13-14	934301081100	9-16	9850N0601600	8-18				
903870739000	4-17	916095001600	12-6	934301081100	13-18	9850N0602500	8-17				
903872049100	11-23	918101480400	7-5	934301281200	13-9	9850N0602500	8-26				
90387205E900	2-4	918101480400	8-9	934401102900	8-8	9850N0603000	8-10				
904300400400	3-7	918101480400	8-20	934401580200	9-3	9850N0603500	8-21				
904301220700	7-12	929070620000	4-14	934401580200	11-9	9850N0604000	4-13				
904450526600	3-9	9290N0410000	5-8	934501509000	2-8	9850N0604500	7-2				
904450910700	3-9	9290N0510000	3-5	935031680700	10-18	9850N0604500	8-11				
904460700900	7-10	931011080600	3-15	935051681400	12-18	9850N0605500	7-3				
904604305300	4-5	931011780700	9-10	935073281900	9-13	9850N0605500	8-12				
904604905800	4-7	931022580700	2-5	936032280500	3-18	9850N0605500	8-22				
904611007100	3-22	931022680500	11-20	936032280500	3-18	9850N0606500	7-4				
904680203300	3-8	931032880000	2-6	936042280600	12-2	9850N0801000	7-8				
904680203300	3-21	931041180600	8-4	938221580800	11-22	985170401600	5-7				

INDEX-RX100

PART NO	REF. NO.	PART NO	REF. NO.	PART NO	REF. NO.	PART NO	REF. NO.	PART NO	REF. NO.	PART NO	REF. NO.
2YAF45680000	21-13	36LF22011000	18-	36LF31450000	20-20	36LF41621000	21-25	36LF51381100	23-10	36LF63120000	25-6
36LF11550000	17-12	36LF22100100	18-11	36LF31460000	20-12	36LF41621000	21-7	36LF513A0000	23-20	36LF63210000	25-7
36LF13980100	14-2	36LF22160000	18-	36LF31460000	20-28	36LF41810000	21-2	36LF51550000	23-15	36LF63350000	25-8
36LF15180000	15-3	36LF22390000	18-	36LF31570000	20-19	36LF41820000	21-3	36LF51810000	23-27	36LF63410000	25-11
36LF15210000	15-4	36LF23150000	18-10	36LF31580000	20-8	36LF45000200	21-13	36LF53211135	24-8	36LF63520000	25-27
36LF16100093	15-8	36LF31002000	20-45	36LF31580000	20-24	36LF45150000	21-22	36LF533A0000	24-15	36LF63631000	25-10
36LF16210100	15-17	36LF31020100	20-1	36LF31580000	20-47	36LF45180000	21-15	36LF53510000	23-18	36LF63720000	25-9
36LF16290000	15-14	36LF31030100	20-17	36LF31630000	20-42	36LF45210000	21-17	36LF53510000	24-11	36LF63720000	25-12
36LF16811000	31-12	36LF31060000	20-2	36LF31630000	20-44	36LF4522V000	21-16	36LF53550000	24-12	36LF63930000	35-10
36LF17110135	16-1	36LF31070000	20-18	36LF31680000	20-16	36LF45230000	21-18	36LF53640000	24-7	36LF63931000	35-11
36LF171101H6	16-1	36LF31100000	20-5	36LF31680000	20-32	36LF45240000	21-14	36LF53661000	24-16	36LF71110100	26-1
36LF171101P0	16-1	36LF31100000	20-21	36LF31700000	20-6	36LF45250000	21-16	36LF53710000	24-30	36LF71120000	26-2
36LF171101P1	16-1	36LF31110000	20-14	36LF31700000	20-22	36LF45310000	21-19	36LF53810100	24-38	36LF71140000	26-5
36LF172101H6	16-10	36LF31110000	20-30	36LF31730000	20-7	36LF45320100	21-23	36LF53870100	24-20	36LF71150000	26-3
36LF172101P1	16-10	36LF31140000	20-15	36LF31730000	20-23	36LF45600000	21-20	36LF54120000	24-23	36LF71310000	18-
36LF17450000	17-9	36LF31140000	20-31	36LF31810000	20-9	36LF45600100	21-14	36LF54390000	24-21	36LF71320000	18-
36LF17510000	17-1	36LF31160000	20-41	36LF31810000	20-25	36LF45760000	21-17	36LF59160000	35-8	36LF71340000	18-
36LF17630000	17-4	36LF31160000	20-43	36LF33180000	20-35	36LF4650V100	21-24	36LF62400000	25-28	36LF71350000	18-
36LF17640000	17-3	36LF31180000	20-13	36LF33400000	20-33	36LF470E0000	22-8	36LF62410000	25-18	36LF72110100	26-7
36LF176A0000	17-2	36LF31180000	20-29	36LF33460100	20-36	36LF47301000	22-1	36LF62420000	25-19	36LF72310000	26-9
36LF17710000	17-5	36LF31190100	20-46	36LF33950000	19-11	36LF47310000	22-2	36LF62430000	25-20	36LWF7310000	26-19
36LF17760000	17-13	36LF31210000	20-38	36LF34110000	20-34	36LF47410000	22-3	36LF62490000	25-21	36LF74110000	26-16
36LF17811000	16-2	36LF31220000	20-40	36LF34111000	19-2	36LF474A0000	22-5	36LF62600000	25-2	36LF74130000	26-17
36LF17820000	16-11	36LF31310000	20-37	36LF34120000	19-1	36LF47850000	22-9	36LF62610000	25-3	36LF74310200	26-25
36LF17830000	16-4	36LF31320000	20-39	36LF34121000	19-3	36LF48319000	35-9	36LF62680000	25-4	36LF74320000	26-23
36LF17840000	16-13	36LF31411000	20-11	36LF34350000	19-10	36LF511X0000	23-26	36LF62802000	25-25	36LF74330200	26-26
36LF21101000	18-1	36LF31411000	20-27	36LF34410100	19-16	36LF51211000	23-5	36LF62810000	25-22	36LF743E0000	26-27
36LF21230000	18-2	36LF31440000	20-10	36LF34800000	19-23	36LF51351100	23-8	36LF62821000	25-23	36LF74420000	26-24
36LF21410100	18-3	36LF31440000	20-26	36LF34840000	19-20	36LF51360000	23-9	36LF62902000	25-26	36LF81001000	14-12
36LF21510000	18-6	36LF31450000	20-4	36LF4100009V	21-1	36LF51370000	23-31	36LF63110000	25-5	36LF81110000	14-13

INDEX-RX100

PART NO	REF. NO.	PART NO	REF. NO.	PART NO	REF. NO.	PART NO	REF. NO.	PART NO	REF. NO.	PART NO	REF. NO.
36LF838700	13	36LH3313V000	28-18	36LH39451000	32-7	36LH5580V000	27-4	901760880000	35-5	901230804600	25-14
36LF840K0000	35-1	36LH3313V000	28-25	36LH39451000	32-12	36LWF1290000	35-14	902010861200	21-5	901460600900	16-8
36LF84130000	35-2	36LH3320V000	28-8	36LH3972V000	32-17	36LWF5360000	23-6	929070620000	31-15	901520400600	21-26
36LH1313V000	27-3	36LH3330V000	28-16	36LH3980V000	32-6	36LWF5360000	24-9	929070660000	34-16	901520400600	21-8
36LH131XV000	27-5	36LH3340V000	28-23	36LH4110V000	30-1	36LXF1727035	16-10	929070860000	35-7	901530801100	24-46
36LH1960V000	34-6	36LH3350V000	33-9	36LH4114V000	30-3	36LXF4119033	21-1	929070860000	35-18	901570312200	21-21
36LH21100000	34-1	36LH33540000	28-15	36LH4115V000	30-2	36LXF411A0P0	21-1	931042280500	24-5	901570511600	15-10
36LH21310000	34-2	36LH3371V000	33-10	36LH4124V000	30-5	4LSF31530000	20-3	953040880000	35-17	901570511600	25-24
36LH2150V000	34-3	36LH3509V000	29-2	36LH413E0000	30-9	4TLF11100100	14-1	957070850000	14-5	901701206500	18-4
36LH2151V000	34-4	36LH3510V000	29-1	36LH4140V000	30-4	4TLF17106000	16-1	958170601200	35-12	901701234700	27-17
36LH2310V000	33-1	36LH3516V000	29-3	36LH4147V000	30-7	4TLF17206000	16-10	970070803500	35-4	901702080100	24-39
36LH2370V000	33-4	36LH3516V000	29-6	36LH41500000	30-6	4TLF23100200	18-7	970070804000	35-3	901711000400	23-28
36LH25100100	34-8	36LH3516V000	29-9	36LH41630000	30-10	4TLF41006000	21-1	970070805000	35-16	901711480000	24-42
36LH2530V100	34-11	36LH3519V000	29-10	36LH41640000	30-11	4TLXF41AA0H6	21-1	970170601600	34-15	901761007300	18-14
36LH2540V100	33-5	36LH3520V000	29-5	36LH43070000	30-12	5KAF15100100	15-1	977023052000	28-5	901790614300	25-17
36LH258HV000	33-6	36LH3523V000	29-11	36LH4510V000	31-1	5KAF53770000	24-40	977023052000	28-12	901790626400	16-9
36LH25900000	34-12	36LH35240000	29-12	36LH4514V000	31-2	5TRF51110000	23-1	977023052000	28-20	901790680600	26-15
36LH25940000	34-14	36LH3530V000	29-4	36LH4521V000	31-4	5TRF53110000	24-1	977023052000	28-27	901790814800	25-15
36LH2921V000	32-1	36LH35500000	29-14	36LH4523V000	31-3	5TSXF5390100	24-44	901010681400	23-16	901790816800	24-24
36LH3310V000	28-1	36LH355TV000	29-8	36LH4542V000	31-8	5TSXF5390100	24-45	901010681400	24-13	901792503300	19-7
36LH3311V000	28-2	36LH350HV0000	29-18	36LH4551V000	31-6	5USF51960000	23-21	901011080200	19-14	901830404700	16-3
36LH3311V000	28-9	36LH3568V0000	29-16	36LH4553V000	31-7	5USF51960000	24-25	901050809900	14-10	901830404700	16-12
36LH3311V000	28-17	36LH35690000	29-17	36LH4554V000	31-10	5USF51970000	23-21	901051004000	14-4	901830601800	16-5
36LH3311V000	28-24	36LH3569V0000	29-19	36LH4557V000	31-9	5USF51970000	24-25	901051008900	14-3	901830601800	16-14
36LH3312V000	28-4	36LH35821000	29-7	36LH5110V000	33-11	5USF53950000	23-21	901090803200	26-21	902010503600	15-19
36LH3312V000	28-11	36LH39120000	32-10	36LH5520V000	27-2	5USF53950000	24-25	901090806300	24-31	902010572500	15-5
36LH3312V000	28-19	36LH3922V000	32-2	36LH55401000	33-7	5YYF34160000	19-6	901090836100	24-22	902010638000	16-7
36LH3312V000	28-26	36LH3929V000	33-11	36LH5550V000	27-12	5YYF510B0000	24-2	901090883100	24-34	902010707600	23-12
36LH3313V000	28-3	36LH39360000	33-16	36LH5560V000	27-1	5YYF61110000	25-1	901230601000	25-16	902010808500	32-4
36LH3313V000	28-10	36LH39451000	32-3	36LH5569V000	27-7	5YYH29110000	32-9	901230801300	25-13	902010808500	32-15

INDEX-RX100

PART NO	REF. NO.	PART NO	REF. NO.	PART NO	REF. NO.	PART NO	REF. NO.	PART NO	REF. NO.	PART NO	REF. NO.
90201106F200	18-13	905011024500	26-13	9290N1010000	28-13	950270602000	33-13	9580N0805000	19-17	9850N0601600	31-14
902011217800	27-15	905020902400	19-22	9290N1010000	28-21	953010820N00	15-12	958170601200	15-13	985170401200	27-8
902011421800	18-12	905061480100	23-7	9290N1010000	28-28	953010820N00	19-12	958170601200	17-10	9851N0402500	27-9
902011580400	15-16	905061480100	24-10	9290N1020000	23-29	953010820N00	21-6	9582N0803000	19-21	9870N0601400	27-13
902012026900	23-13	905062504700	26-20	9290N1210000	27-16	953010820N00	24-32	9700N0601200	21-11	9870N0601600	26-28
902012081600	26-29	905062905400	26-4	9290N1220000	18-5	9530M0560000	15-7	9700N0602500	14	9870N0603000	14-11
902020480100	21-12	905083205600	26-8	931021880200	23-4	9530M0560000	15-20	9700N0802000	15-9	NO YGK NO	
902080402900	19-9	905601281400	23-2	931040780400	23-11	9530M0560000	29-13	9760N0411000	27-10	NO YGK NO	
902090680000	30-13	914011601200	24-33	931054780100	23-19	9530N0660000	23-17	9760N0521200	15-6	NO YGK NO	
902091080500	19-15	914011601200	26-31	931062680100	24-19	9530N0660000	23-17	9760N0521200	30-8	NO YGK NO	
902400605200	26-30	914012002000	23-30	932104280700	24-6	9530N0660000	24-14	9760N0521600	15-18	No YGK no	21-15
902491200800	26-14	914012002000	24-37	93306004Y000	24-18	9530N0660000	31-11	9760N0612000	33-2		
902525580000	24-43	914012002000	26-11	93306202Y000	24-3	9530N0870000	24-35	9760N0612000	33-8		
902690400300	19-19	929070520000	19-8	93306202Y100	24-4	9530N0870000	24-47	9760N0621200	18-8		
903850802900	17-8	929070660000	26-10	93306301Y300	23-3	9530N0870000	26-22	9760N0621200	21-9		
903852402800	17-6	929070660000	26-12	934102080800	23-14	9530N1060000	28-7	9760N0621600	18-9		
90387208W800	24-41	929070660000	26-10	934204280100	24-17	9530N1060000	28-14	9770N4011600	29-15		
904450905900	21-9	929090805000	14-9	934301280900	26-6	9530N1060000	28-22	9770N4051000	34-9		
904450905900	21-11	9290N0510000	21-12	935010480500	19-4	9530N1060000	28-29	985060503000	32-18		
904450910700	17-14	9290N0610000	21-10	935031680700	19-5	957070850000	22-4	985060503500	32-19		
904610503600	27-6	9290N0610000	32-8	941251883800	23-22	9570L0530000	33-12	985070400600	27-11		
904620501200	27-14	9290N06100000	31-16	941271882600	24-26	9570N0630000	32-5	9850N0500800	21-8		
904640802000	15-15	9290N0810000	14-7	942251882300	23-23	9570N0630000	32-13	9850N0501000	19-18		
904642003100	34-13	9290N0810000	15-11	942271882400	24-27	9570N1050000	14-6	9850N0501000	21-7		
904670800300	17-11	9290N0810000	19-13	943251882200	23-24	9580N0601200	22-6	9850N0601200	34-5		
904670800300	21-10	9290N0810000	24-36	943251882200	24-28	9580N0601600	15-2	9850N0601200	31-18		
904801205300	16-6	9290N0810000	35-6	944161880000	23-25	9580N0801200	22-7	9850N0601200	33-3		
904801205300	16-15	9290N0810000	35-15	944161880000	24-29	9580N0801200	35-13	9850N0601200	34-5		
904801817100	17-7	9290N1010000	14-8	945080410900	24-48	9580N0802000	26-18	9850N0601200	34-7		
904802518900	21-4	9290N1010000	28-6	946688100100	24-49	9580N0802000	26-32	9850N0601600	16-16		

*COPYRIGHT: All rights reserved. No part of this publication
may be reproduced without permission.*



INDIA YAMAHA MOTOR PVT. LIMITED

A-3 INDUSTRIAL AREA, Noida - Dadri Road, Surajpur - 201 306 (UP)

.....
PRINTED IN INDIA