

We have pleasure in presenting the Spare Parts Catalogue for 'Bajaj XCD 125cc DTS-Si' Motorcycle. This catalogue has been specially designed to assist you in selecting the correct parts for procurement to maintain 100% availability.

The Bajaj spares are subjected to the stringent quality control standards to ensure longer life of the vehicle. It is therefore necessary that only the Genuine Bajaj Spares are used.

In a continual effort to improve Performance and Efficiency of the vehicles, Specifications, Diagrams, Illustrations and Part Numbers can change without notice. Consequently, the description in this Spare Parts Catalogue cannot therefore be final and binding on us.

The modifications / alterations which are carried out after the issue of this catalogue, will be conveyed to you through our Service Circulars. You are requested to make necessary corrections in the Parts Catalogue as per the circulars so as to keep your catalogue up-to-date. This will ensure the appropriate and speedy delivery of the Spare Parts as the order placed will bear the latest part numbers.

In case, if you need any technical assistance contact the concerned Regional Office or write to us on the following address :

Bajaj Auto Limited
International Marketing
Akurdi, Pune 411 035 India
Phone : 020-27472851
Fax : 020-27407395
E-mail : exports@bajajauto.co.in

All information contained in this manual is based on the latest product information at the time of publication. Bajaj Auto Limited accepts no liability for any inaccuracies or omissions in this publication, although every possible care has been taken to make it as complete and accurate as possible. All procedures and specifications subject to change without prior notice. The right is reserved to make such changes at any time without prior notice and without incurring an obligation to make such changes to product manufactured previously. Contact your authorized Bajaj Dealer for the latest information on product improvements incorporated after this manual was issued.

DOC. NO.: 71110580

REV. 00. JAN. 08

Instructions for using the Catalogue



- How to Read the Catalogue : Open the catalogue and from the pictorial index locate the group in which the part you want to find is present. Turn over to the concerned page number (as given by pictorial index). Now find out the figure of the part you wish to order. Write down the part number against that particular figure number from the text.

In case, if you have the part number and you need the other details, the part index can be used. The part index (at the end of the catalogue) will give you the figure and page number of the part you wish to order.

- How to Order Spare Parts : The part number and the description of the part required should be invariably mentioned in the order as per the catalogue text.

The latest part number as conveyed through our service circulars should only appear on the order. In case of ordering painted components, colour shade of the components should be mentioned.

The quantity shown against the part number is the quantity per vehicle for that group so that particular quantity should be multiplied by the number of sets required.

- Part Number System: We have used 8 digit system for part numbers. The model or hardware item is indicated by first two digits or alphanumeric, the next two or four digits indicate main group and the last four or two digits indicate serial number in main group or serial number or subgroup of fastener respectively. Thus the part numbers will be indicated by 2-2-4 or 2-4-2 digit system. Understanding this system will enable you to identify the spare parts easily.

- Abbreviations : The following abbreviations are used in this catalogue.

assly.	Assembly	V	Volts
N.I.	Not illustrated	W	Watts
C'case	Crankcase	accl.	Accelerator
Cyl	Cylinder	Comp.	Complete
o/s.	Over size	Fr	Front
Std.	Standard	L	Length
A/t.	Alternate	Rr	Rear
R.H.	Right hand	Hex.	Hexagonal
L.H.	Left hand	AR	As required

INDEX



No.	Description	Page No.
1	Cover Cylinder head	1
2	Cylinder Head	2
3	Rocker Arm / Valve	3
4	Camshaft Tensioner	4
5	Cylinder & Piston	5
6	Crankshaft	6
7	Transmission	7 & 8
8	Change Drum / Shift Fork	9
9	Gear Change Mechanism	10
10	Crankcase RH	11
11	Crankcase LH	12&13
12	Clutch cover	14&15
13	Cover Magneto	16
14	Clutch	17
15	Kick starter Mechanism	18
16	Carburetor Assembly Ucal	19&20
16A	Carburetor Assembly Kehin	21
17	Air Filter Assembly	22
18	Silencer Assembly	23
19	Seat Assembly	24
20	Oil Pump	25
21	Magneto Assembly	26
22	Starter Assembly	27
23	Starter Motor (Flash)	28
23A	Starter Motor (TVS)	29
24	Frame Fittings	30
25	Frame & Frame Fittings	31
26	Swing Arm / Rear Shock Absorber	32&33
27	Stay Main Step	34
28	Pillion Foot Rest / Holder	35
29	Fender - Front & Rear	36
30	Stand Assembly	37

No.	Description	Page No.
31	Tyre / Tube / Rim	38
32	Front Hub	39&40
33	Front Hum (For Disc Brake)	41&42
34	Front Master Cylinder	43&44
35	Front Disc Brake	45&46
36	Rear Hub	47&48
37	Brake Pedal	49
37	Handle Bar	50&51
38	Front Fork	52&53
		54&55
39	Painted Part	56&57
		58
40	Fuel Tank Gap Assly. & Fuel Gauge	59
41	Fitting Petrol Tank & Side Cover	60
42	Chain Case	61
43	Meter Assembly	62
44	Control Cable	63
45	Head Lamp Assly. Fairing	64&65
46	Turn Signal Lamp	66
47	Tail Lamp Assembly	67
48	Number Plate	68
49	Electrical Equipment	69&70
50	Tool Kit	71
51	Accessories Leg Guard Saree Guard	72
		73
	Kits List	73
	Amendment Sheet (Parts Added)	75
	Amendment Sheet (Parts Deleted)	
	Parts Index	77

PLATE NO. : 1 COVER CYLINDER HEAD	PAGE NO.: 1
--------------------------------------	----------------

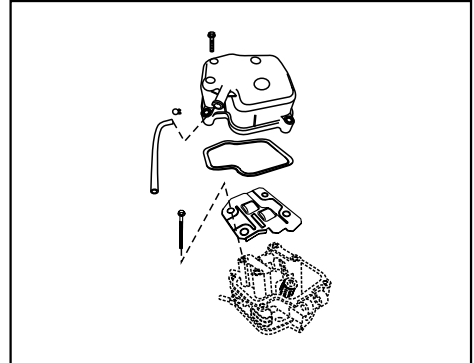


PLATE NO. : 3 ROCKER ARM / VALVE	PAGE NO.: 3
-------------------------------------	----------------

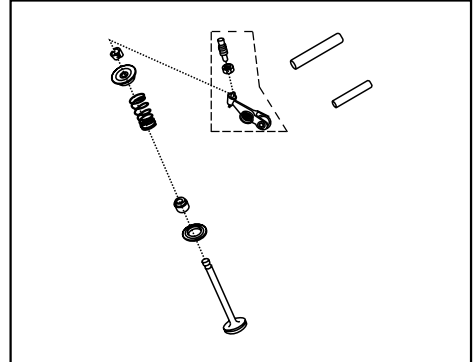


PLATE NO. : 5 CYLINDER AND PISTON	PAGE NO.: 5
--------------------------------------	----------------

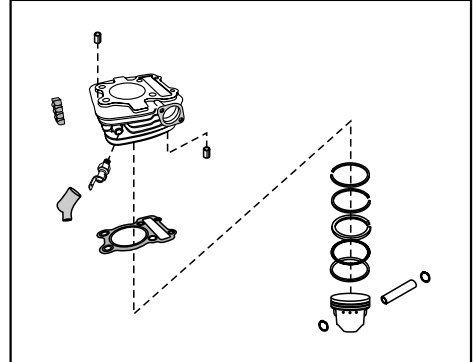


PLATE NO. : 2 CYLINDER HEAD	PAGE NO.: 2
--------------------------------	----------------

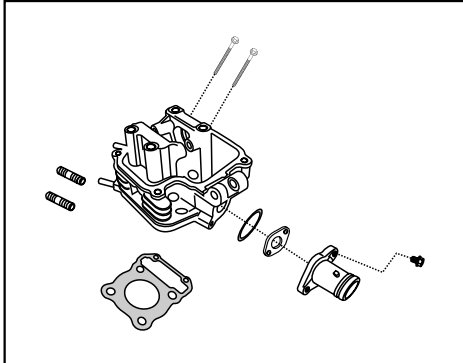


PLATE NO. : 4 CAMSHAFT / TENSIONER	PAGE NO.: 4
---------------------------------------	----------------

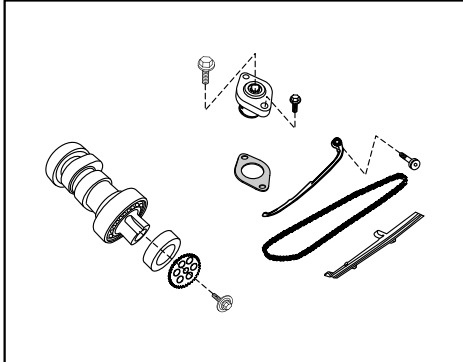


PLATE NO. : 6 CRANKSHAFT	PAGE NO.: 6
-----------------------------	----------------

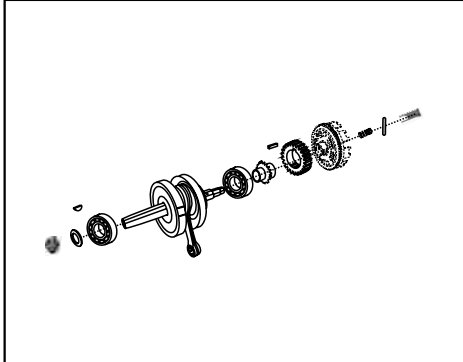


PLATE NO. : 7
TRANSMISSION

PAGE NO.:
7 & 8

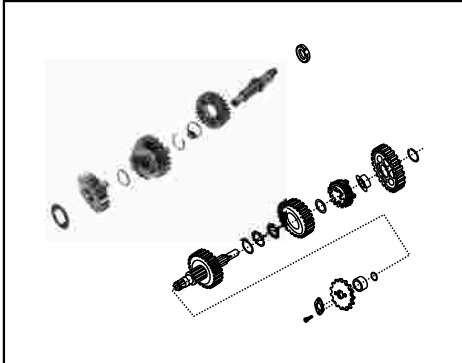


PLATE NO. : 9
GEAR CHANGE MECHANISM

PAGE NO.:
10

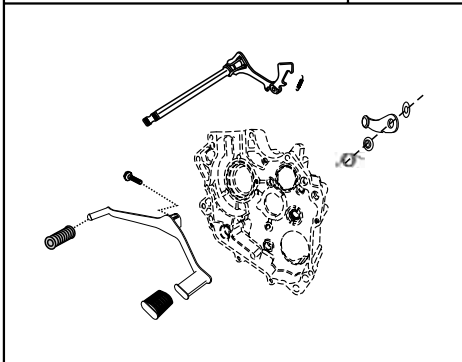


PLATE NO. : 11
CRANKCASE LH

PAGE NO.:
12 & 13

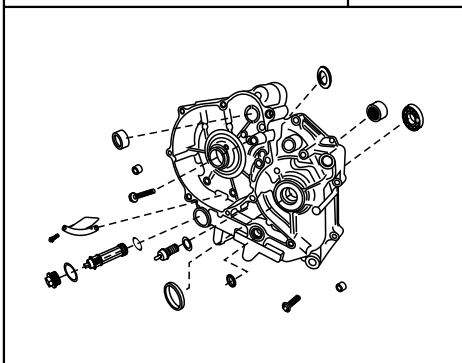


PLATE NO. : 8
CHANGE DRUM / SHIFT FORK

PAGE NO.:
9



PLATE NO. : 10
CRANKCASE RH

PAGE NO.:
11

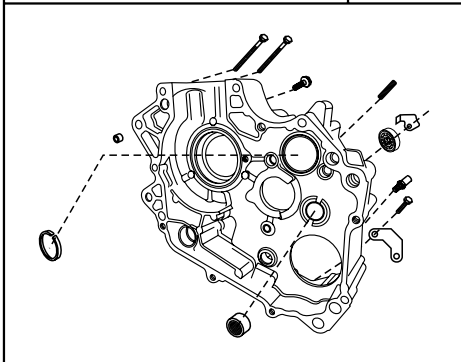


PLATE NO. : 12
CLUTCH COVER

PAGE NO.:
14 & 15

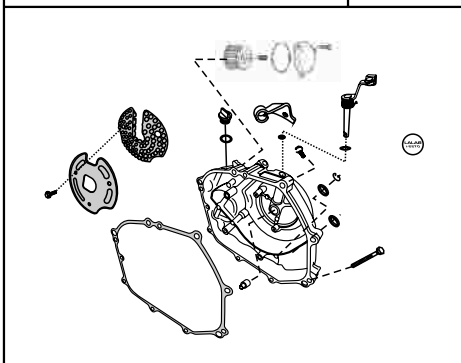


PLATE NO. : 13
COVER MAGNETO

PAGE NO.:
16

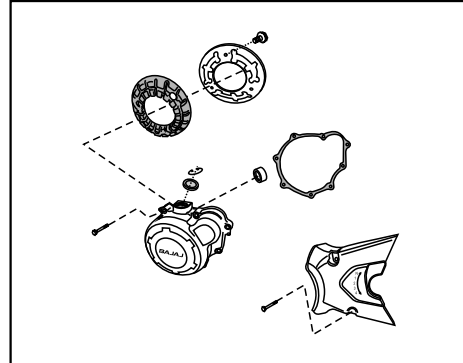


PLATE NO. : 15
KICK STARTER MECHANISM

PAGE NO.:
18

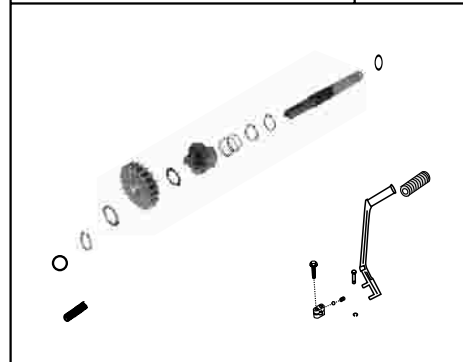


PLATE NO. : 16A
CARBURETTOR (KEHIN)

PAGE NO.:
21



PLATE NO. : 14
CLUTCH

PAGE NO.:
17

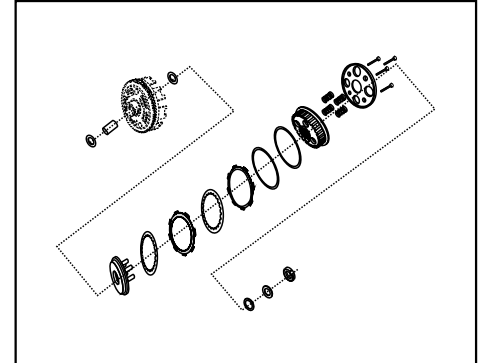


PLATE NO. : 16
CARBURETTOR (UCAL)

PAGE NO.:
19 & 20

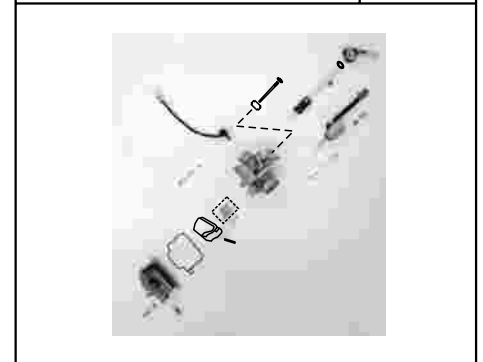


PLATE NO. : 17
AIR FILTER ASSEMBLY

PAGE NO.:
22

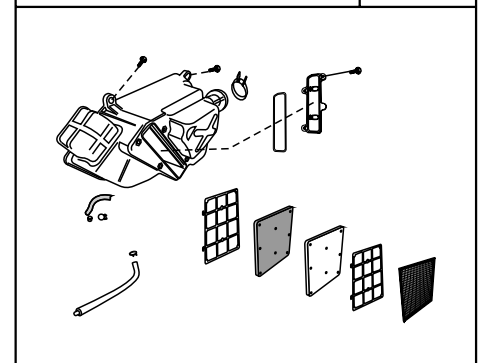


PLATE NO. : 18	PAGE NO.:
SILENCER ASSEMBLY	23

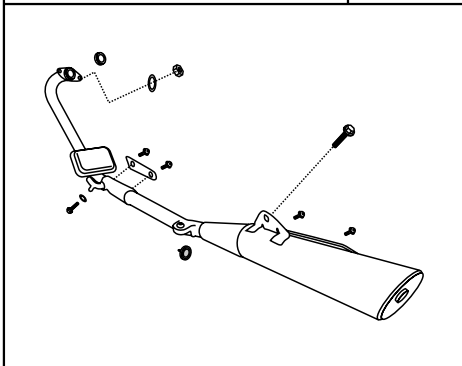


PLATE NO. : 20	PAGE NO.:
OIL PUMP	25

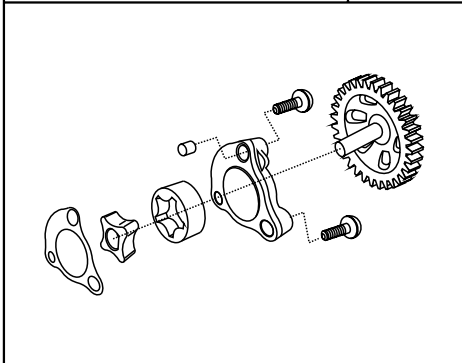


PLATE NO. : 22	PAGE NO.:
STARTER ASSEMBLY	27

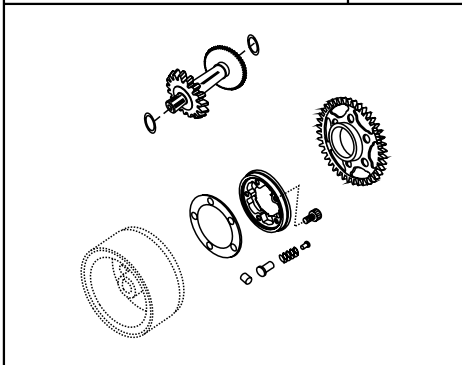


PLATE NO. : 19	PAGE NO.:
SEAT ASSEMBLY	24

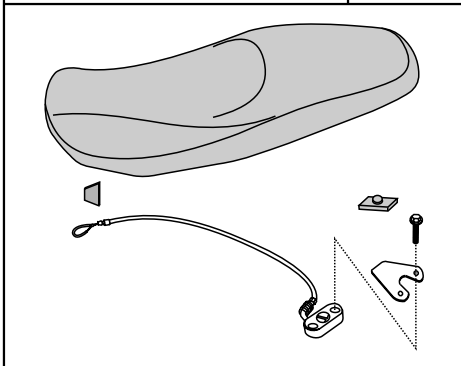


PLATE NO. : 21	PAGE NO.:
MAGNETO ASSEMBLY	26

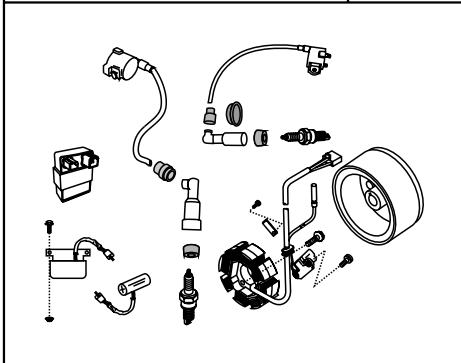


PLATE NO. : 23	PAGE NO.:
STARTER MOTOR (FLASH)	28

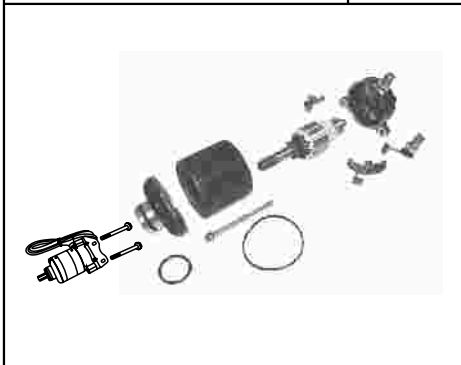


PLATE NO. : 23A	PAGE NO.:
STARTER MOTOR (TVS MAKE)	29

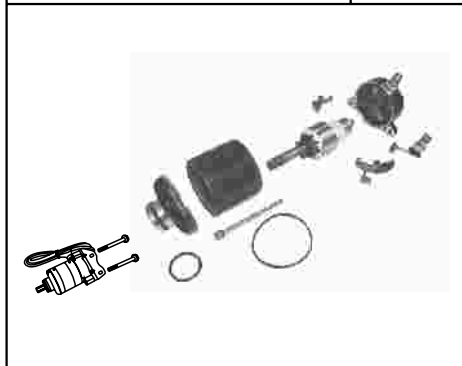


PLATE NO. : 25	PAGE NO.:
FRAME & FRAME FITTING	31

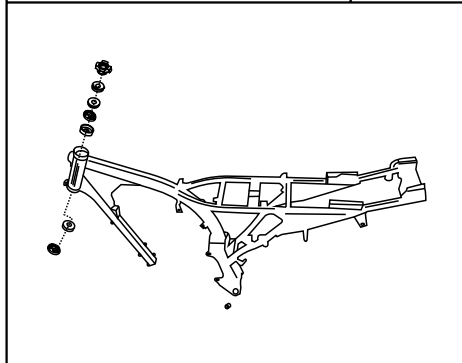


PLATE NO. : 27	PAGE NO.:
STAY MAIN STEP	34

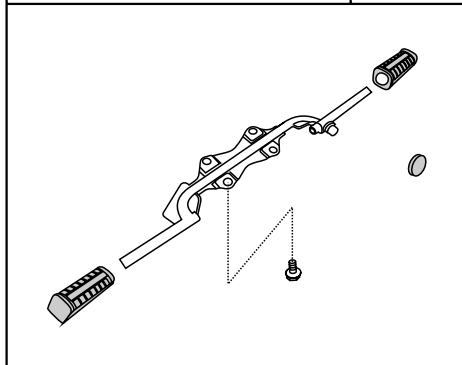


PLATE NO. : 24	PAGE NO.:
FRAME FITTING	30

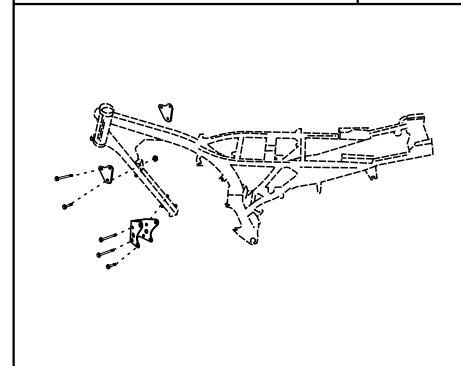


PLATE NO. : 26	PAGE NO.:
SWING ARM / REAR SHOCKABSORBER	32 & 33

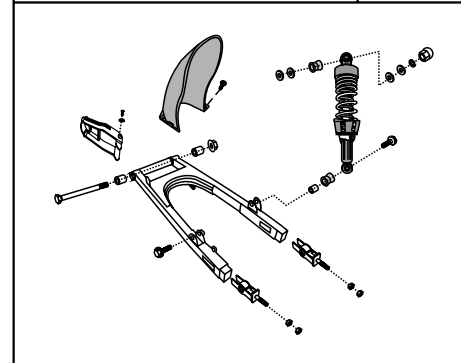


PLATE NO. : 28	PAGE NO.:
PILLION FOOTREST / HOLDER	35

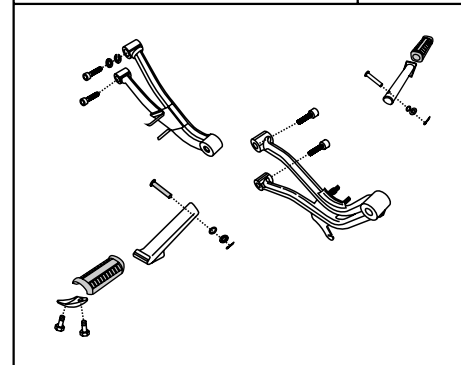


PLATE NO. : 29	PAGE NO.:
FENDER FRONT & REAR	36

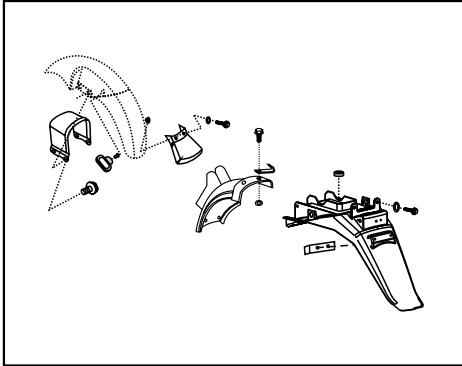


PLATE NO. : 31	PAGE NO.:
TYRE, TUBE, RIM	38

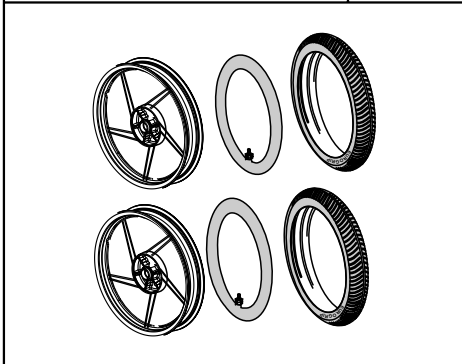


PLATE NO. : 33	PAGE NO.:
FRONT HUB (FOR DISC BRAKE)	41 & 42

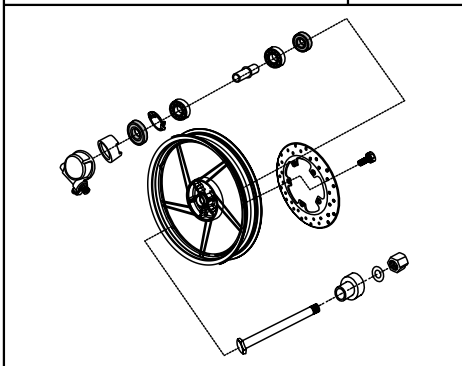


PLATE NO. : 30	PAGE NO.:
STAND ASSEMBLY	37

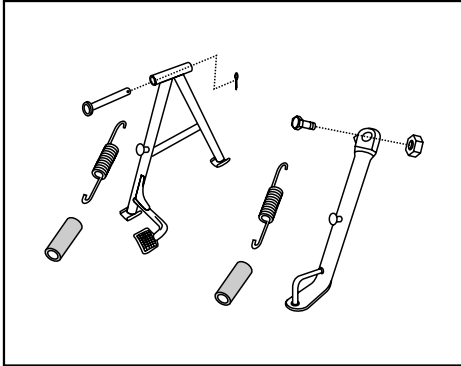


PLATE NO. : 32	PAGE NO.:
FRONT HUB	39 & 40

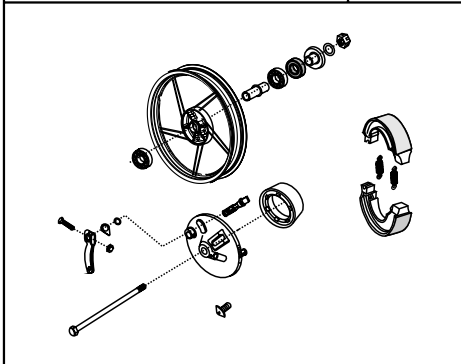


PLATE NO. : 34	PAGE NO.:
FRONT MASTER CYLINDER	43 & 44

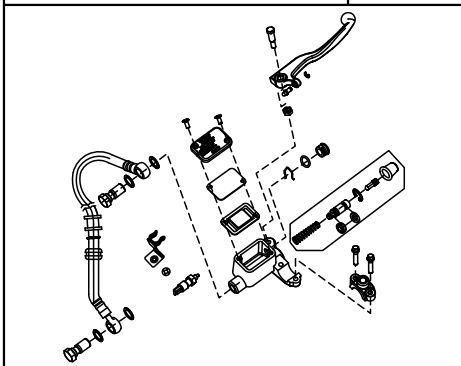


PLATE NO. : 35	PAGE NO.:
FRONT DISC BRAKE	45 & 46

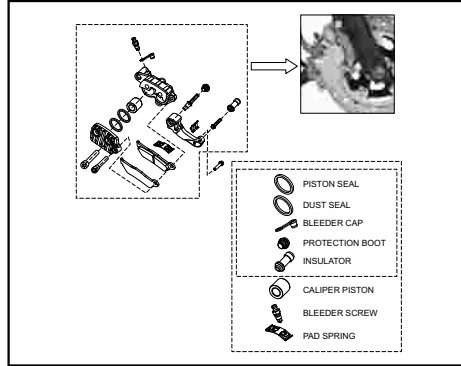


PLATE NO. : 37	PAGE NO.:
BRAKE PEDAL	49

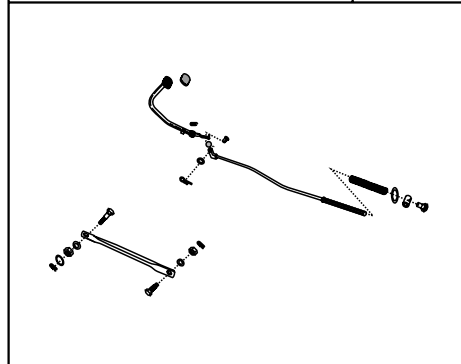


PLATE NO. : 39	PAGE NO.:
FRONT FORK	52/53/54/55

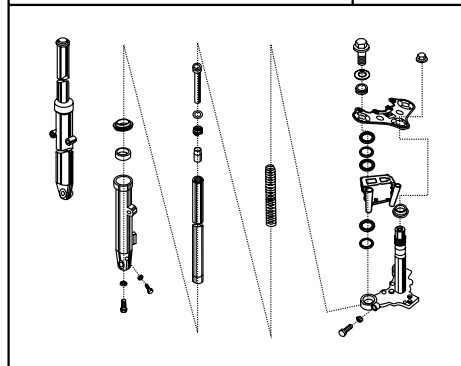


PLATE NO. : 36	PAGE NO.:
REAR HUB	47 & 48

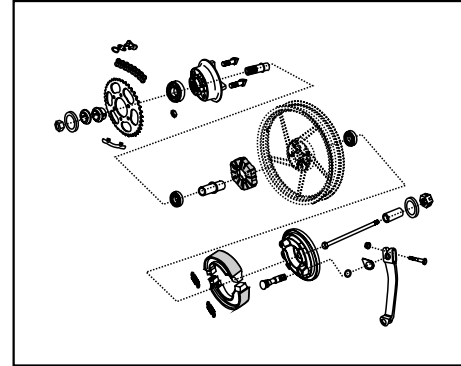


PLATE NO. : 38	PAGE NO.:
HANDLE BAR	50 & 51

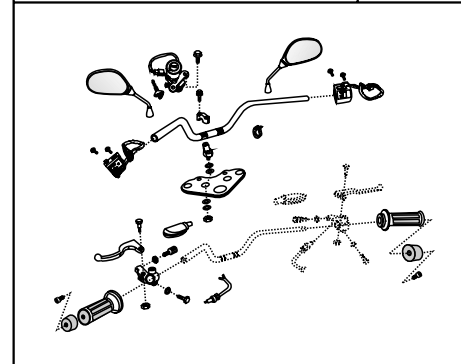


PLATE NO. : 40	PAGE NO.:
PAINTED PARTS	56/57/58

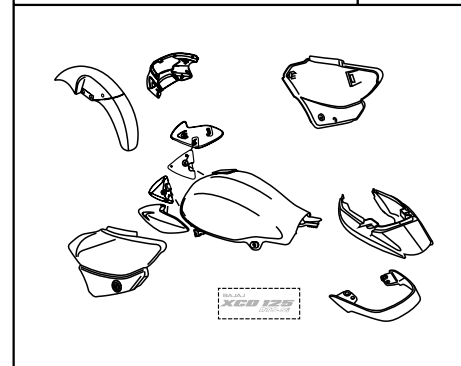


PLATE NO. : 41	PAGE NO.:
PETROL TANK CAP & FUEL GAUGE	59

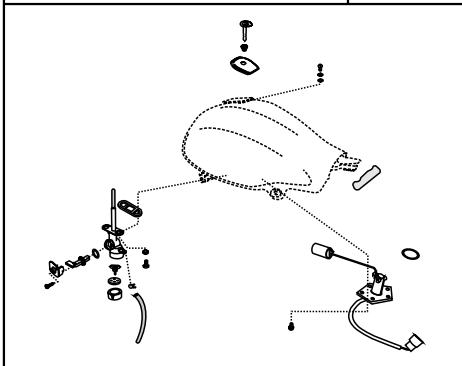


PLATE NO. : 43	PAGE NO.:
CHAIN CASE	61

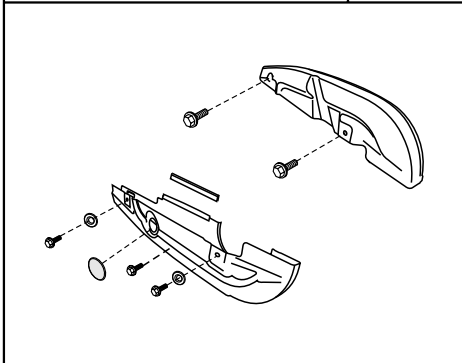


PLATE NO. : 45	PAGE NO.:
CONTROL CABLES	63

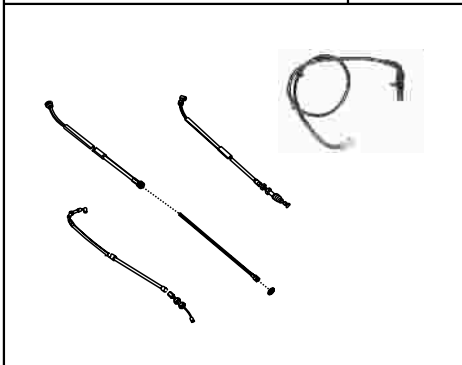


PLATE NO. : 42	PAGE NO.:
FITTING PETROL TANK	60

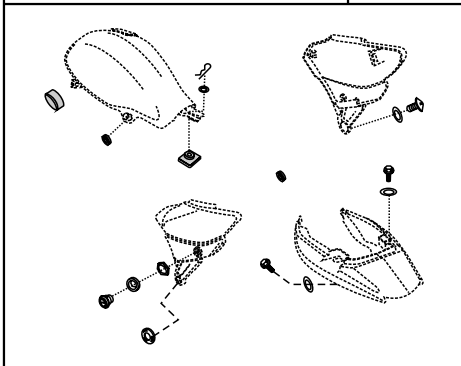


PLATE NO. : 44	PAGE NO.:
METER ASSEMBLY	62

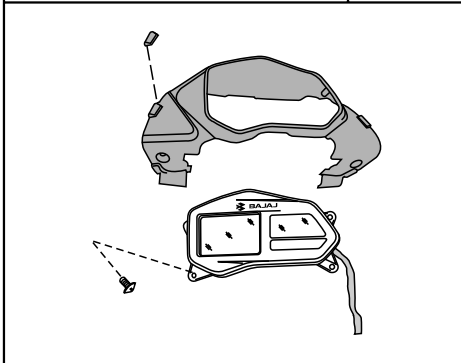


PLATE NO. : 46	PAGE NO.:
HEAD LAMP ASSEMBLY / FAIRING	64 & 65

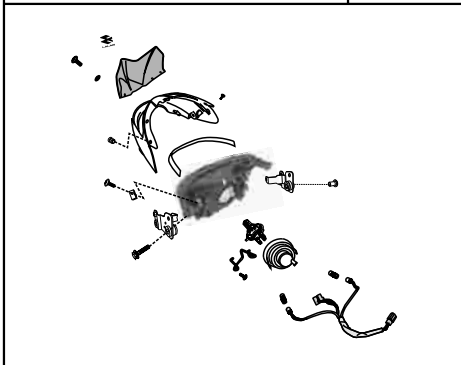


PLATE NO. : 47	PAGE NO.:
TURN SIGNAL LAMP	66

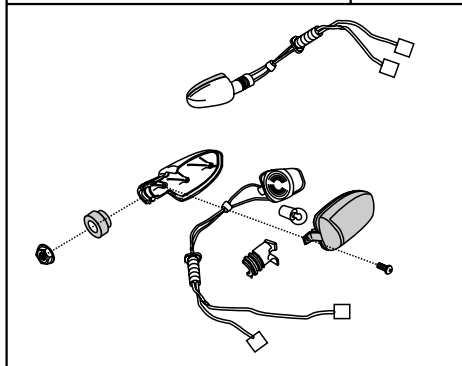


PLATE NO. : 49	PAGE NO.:
NUMBER PLATE	68

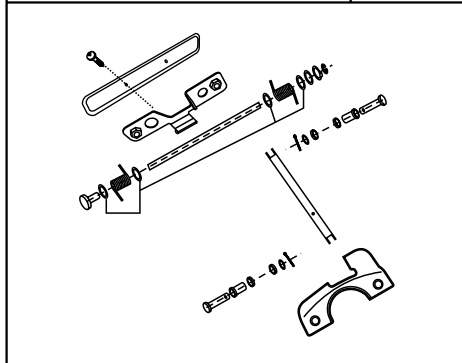


PLATE NO. : 51	PAGE NO.:
TOOL KIT	71

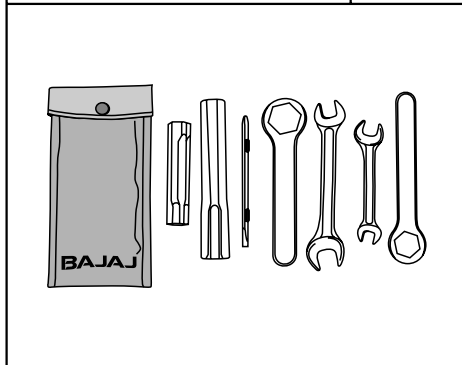


PLATE NO. : 48	PAGE NO.:
TAIL LAMP ASSEMBLY	67

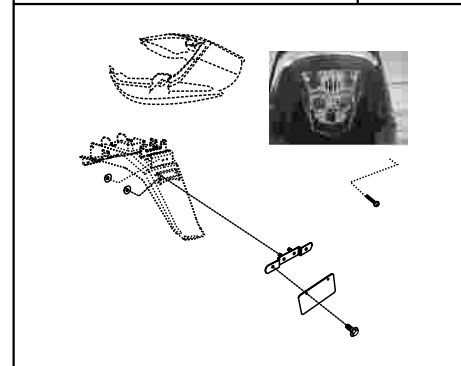


PLATE NO. : 50	PAGE NO.:
ELECTRICAL EQUIPMENTS	69 & 70

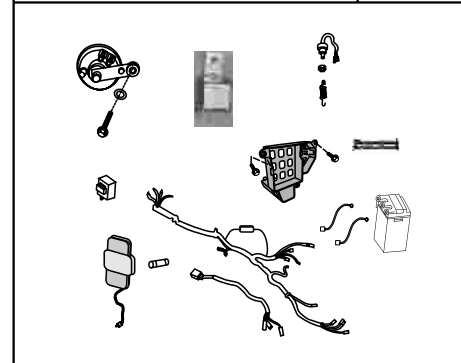
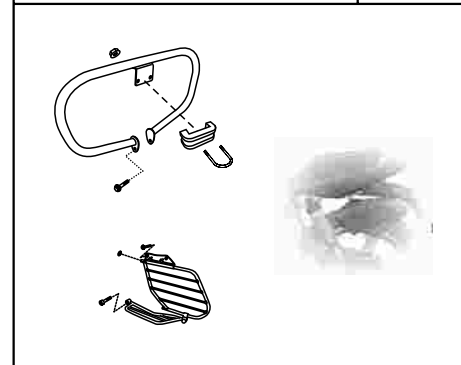
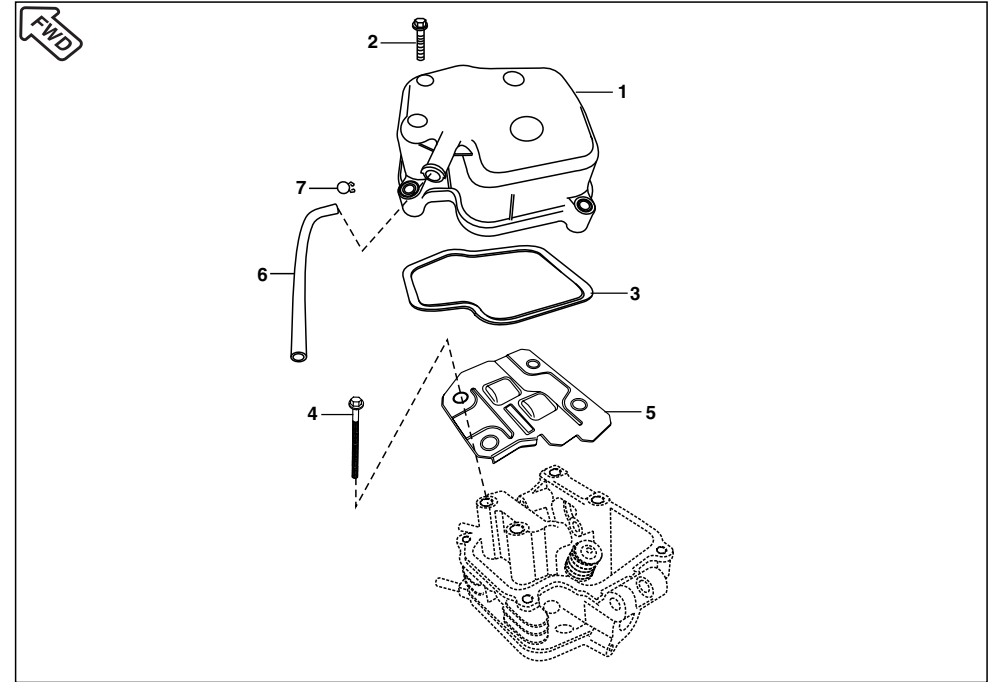
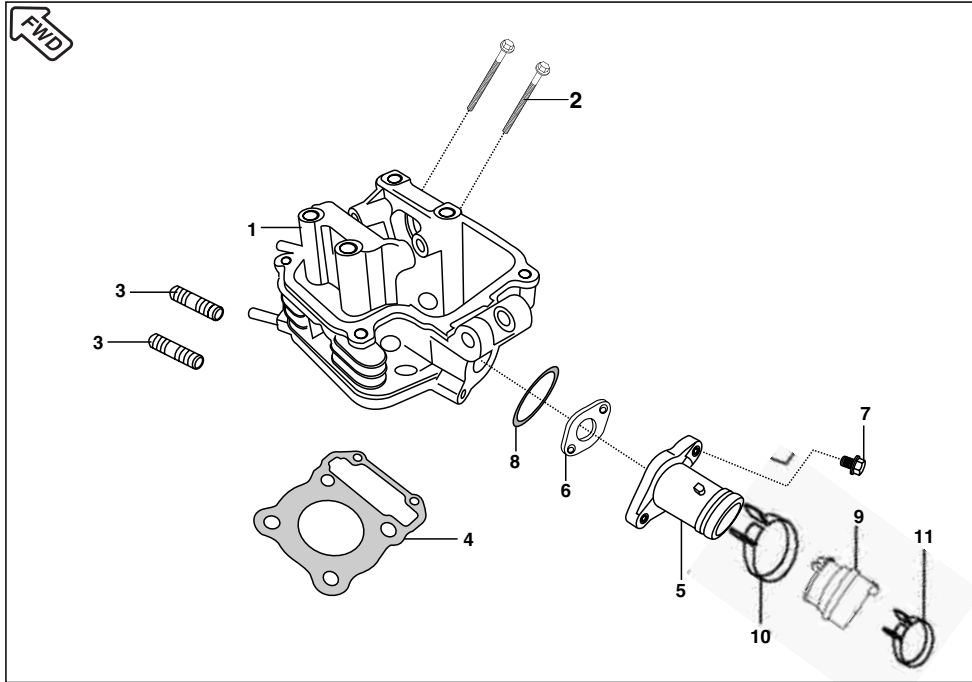


PLATE NO. : 52	PAGE NO.:
ACCESSORIES, LEG GUARD & SARI GUARD	72

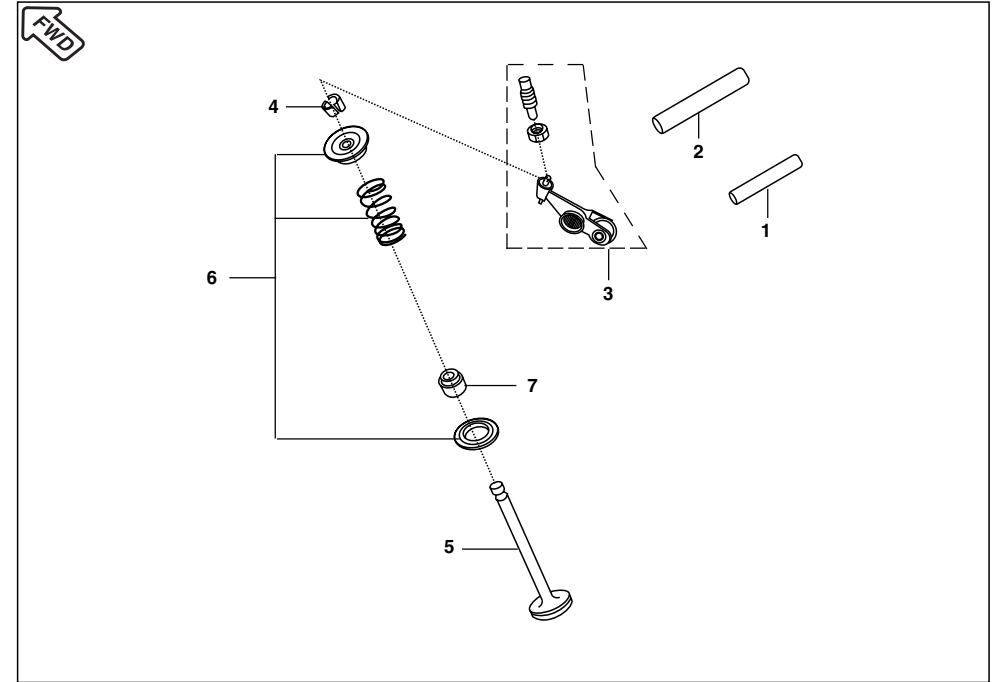




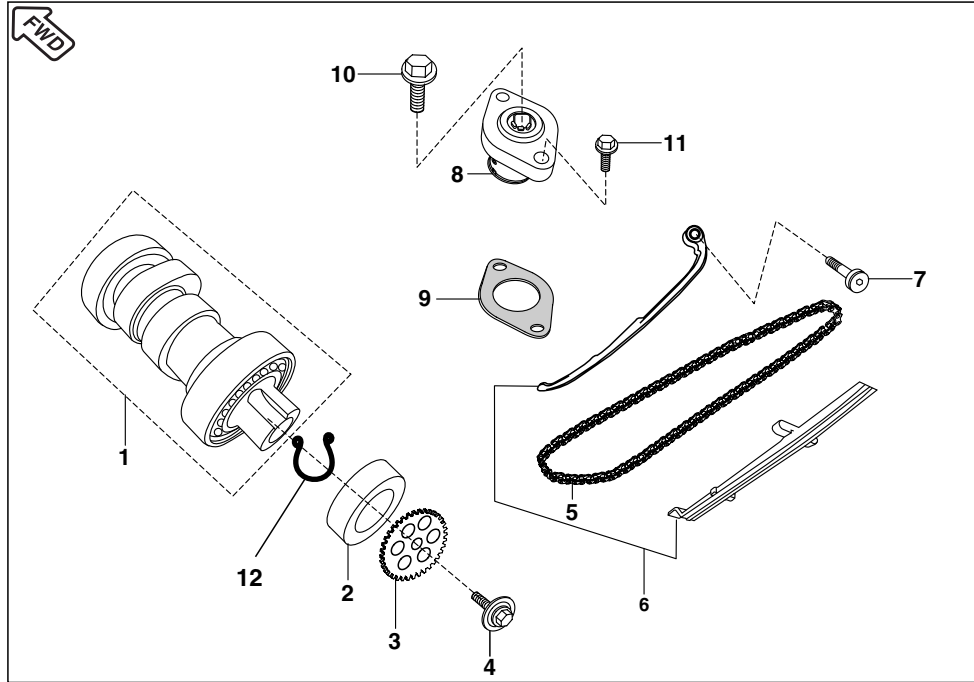
No.	Part No.	Description	1A	1B	Remarks
			ES	KS	
1	JA 5110 09	Cover Complete cylinder head	1	1	
2	59 0400 38	Bolt flange	4	4	
3	JA 5110 12	"O" ring head cover	1	1	
4	JA 5110 08	Bolt flange	4	4	
5	JA 5110 07	Plate breather	1	1	
6	JA 5110 11	Breather tube	1	1	
7	JA 5110 29	Wire Clip	1	1	



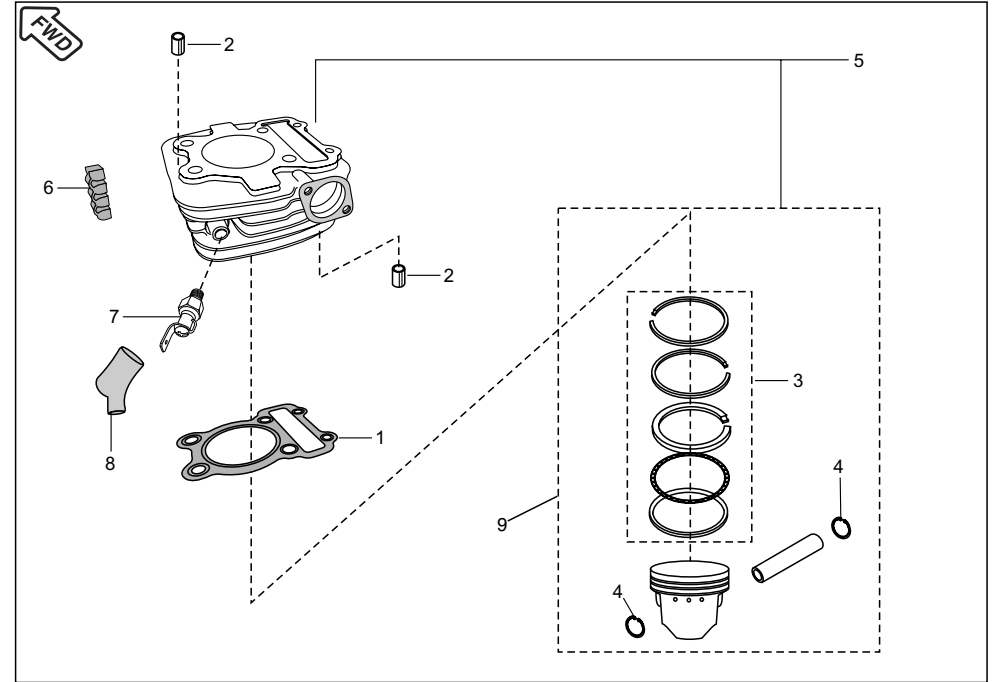
No.	Part No.	Description	2A	2B	Remarks
			ES	KS	
1	JA 5110 30	Head Cylinder complete	1	1	with Valve guides & Studs
2	JA 5110 08	Bolt head mtg.	2	2	
3	JA 5110 28	Stud	2	2	
4	JA 5110 06	Gasket Cylinder Head	1	1	
5	JA 5814 05	Intake manifold (Rubber)	1	1	For Ucal Carburetor
	JA 5814 03	Intake manifold (Alu. Casting)	1	1	For Kehin Carburetor
6	DU 1010 57	Insulator	1	1	
7	JA 5814 06	Bolt flange	2	2	
8	39 1283 21	'O' Ring (Intake Pipe)	2	2	
9	JA 5812 08	Sleeve (Carburator Rubber Duct)	1	1	Ucal Carburetor
10	JA 5812 18	Clamp (35 MM)	1	1	
11	JA 5814 07	Clamp (39 MM)	1	1	



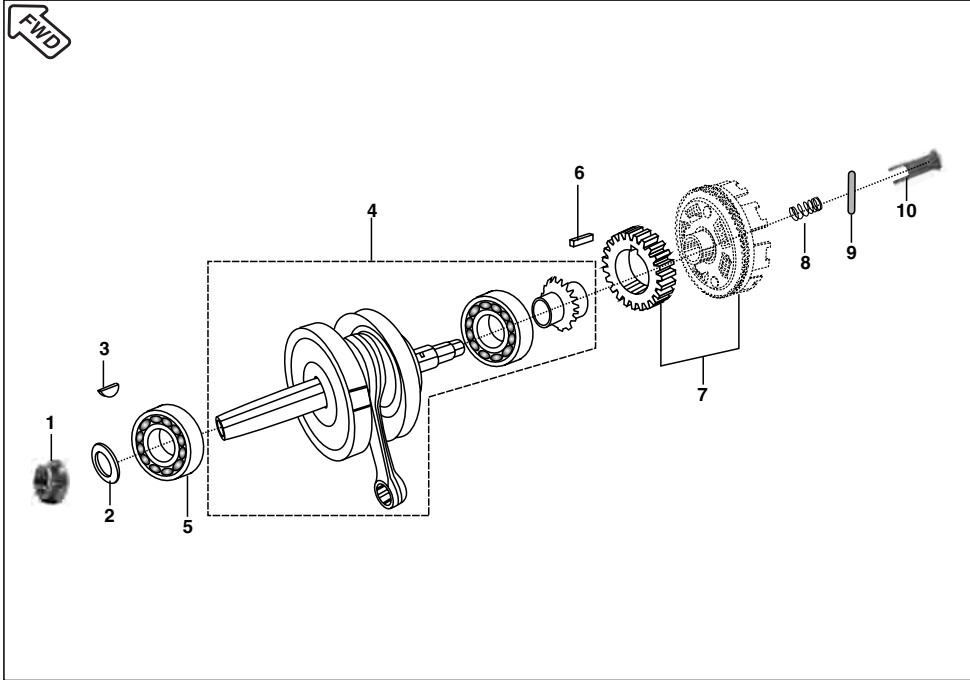
No.	Part No.	Description	3A	3B	Remarks
			ES	KS	
1	JA 5112 10	Shaft Rocker arm intake	1	1	(Length 36mm)
2	JA 5112 11	Shaft rocker arm exhaust	1	1	(Length 48mm)
3	JA 5112 04	Rocker arm with roller	2	2	
4	DG 1010 29	Collet Valve	4	4	
5	36 JA00 02	Valve kit	1	1	Ref. page no.
6	36 JA00 03	Valve repair kit	1	1	Ref. page no.
7	39 2017 19	Seal valve stem	2	2	



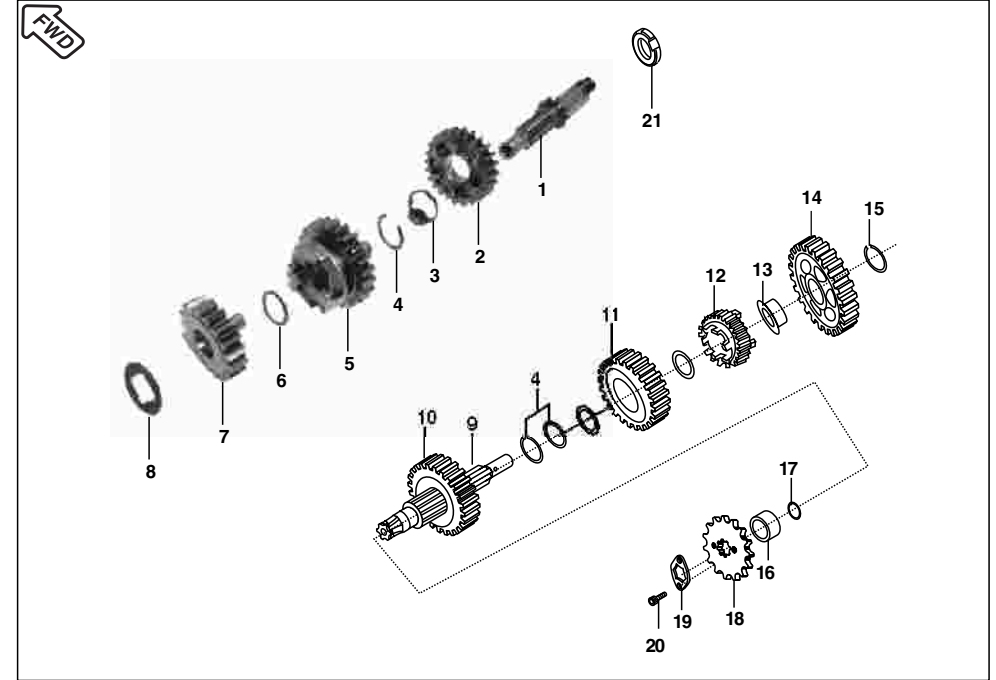
No.	Part No.	Description	4A	4B	Remarks
			ES	KS	
1	JA 5112 12	Camshaft assly.	1	1	
2	JA 5112 16	Specer cam sprocket	1	1	
3	JA 5112 17	Sprocket cam shaft	1	1	
4	JA 5112 18	Bolt integral collar	1	1	
5	JA 5310 11	Cam chain link	1	1	
6	36 JA00 04	Guide chain kit	1	1	Ref. page no. 60
7	DH 1010 11	Bolt special	1	1	
8	JA 5210 17	Adjuster assly chain	1	1	
9	CS 1011 28	Gasket	1	1	
10	JA 5210 18	Bolt	1	1	
11	JA 5210 19	Flange bolt	2	2	Adjuster assly chain mtg.
12	39 0594 17	Circlip for Camshaft	1	1	



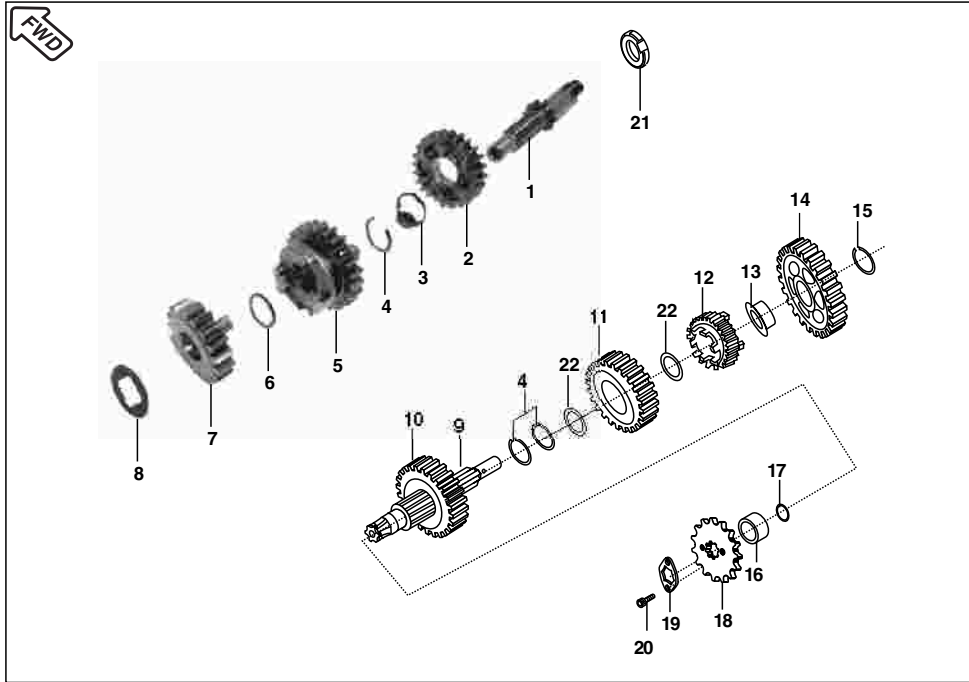
No.	Part No.	Description	5A	5B	Remarks
			ES	KS	
1	JA 5210 01	Gasket cylinder	1	1	
2	39 1000 06	Dowel Pin	2	2	
3	JA 5212 07	Piston ring set	1	1	(Escorts)
4	DP 1011 65	Wire circlip	2	2	
5	JA 5210 14	Cylinder block / Piston assly.	1	1	
6	JA 5210 15	Damper	3	3	
7	JA 3514 00	Thermal sensor	1	1	
8	JB 4022 02	Grommet for thermal sensor	1	1	
9	JP 5212 00	Piston Assly.	1	1	



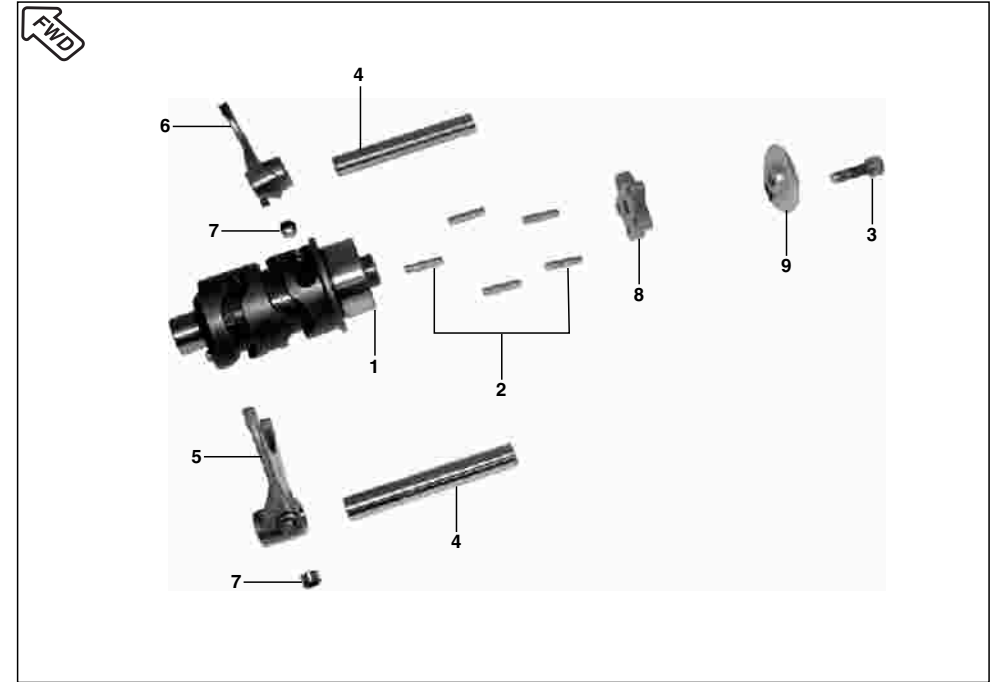
No.	Part No.	Description	6A	6B	Remarks
			ES	KS	
1	59 1500 14	Flange Nut	1	1	
2	59 1100 08	Belleville washer	1	1	
3	31 1011 73	Woodruff key	1	1	
4	JA 5310 00	Crank shaft assly.	1	1	
5	39 1864 20	Ball bearing	1	1	
6	DS 1011 54	Parallel key	1	1	
7	36 JA00 10	Set primary drive / driven	1	1	
8	JA 531012	Spring	1	1	
9	JA 5310 15	Parallel pin	1	1	
10	28 1010 58	Plunger oil	1	1	



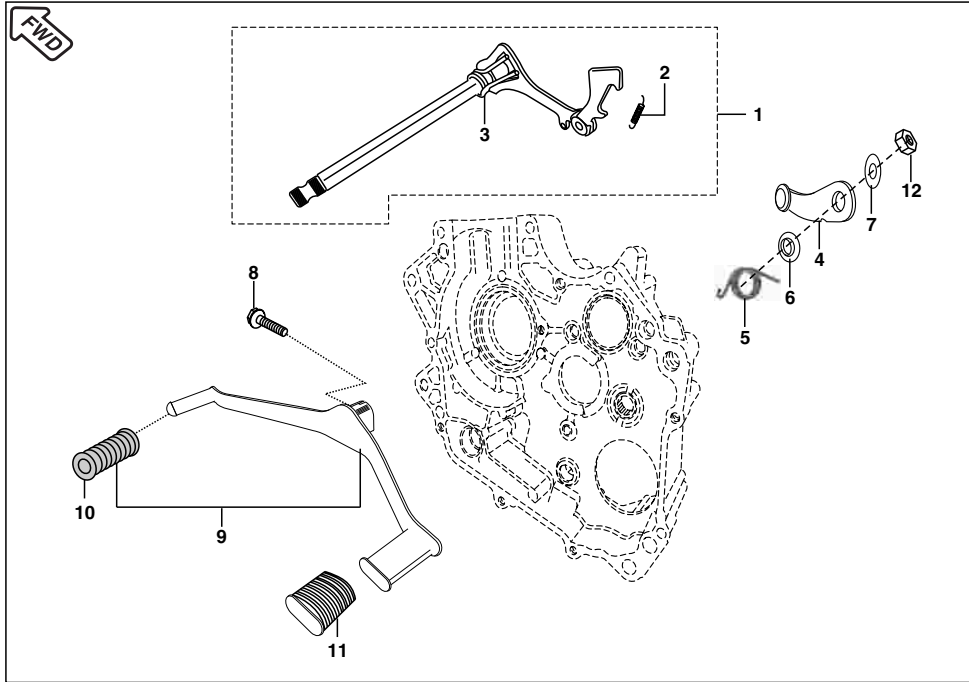
No.	Part No.	Description	7A	7B	Remarks
			ES	KS	
1	JB 5510 01	Shaft input transmission (12T)	1	1	
2	JA 5512 00	Gear 4th drive (24T)	1	1	
3	JA 5510 02	Spline washer	1	1	
4	39 0987 17	Ring snap	4	4	
5	JA 5512 01	Gear 3rd drive (22T)	1	1	
6	DS 1012 90	Washer 2nd drive	1	1	
7	JA 5512 02	Gear 2nd drive (17T)	1	1	
8	JA 5510 04	Washer thrust 2nd drive	1	1	
9	JA 5510 06	Shaft output transmission (34T)	1	1	
10	JA 5512 03	Gear 2nd driven (29T)	1	1	
11	JA 5512 04	Gear 3rd driven (26T)	1	1	
12	JA 5512 05	Gear 4th driven (23T)	1	1	
13	JA 5510 07	Bush 1st driven	1	1	
14	JA 5512 06	Gear 1st driven	1	1	
15	JA 5510 08	Washer thrust	1	1	



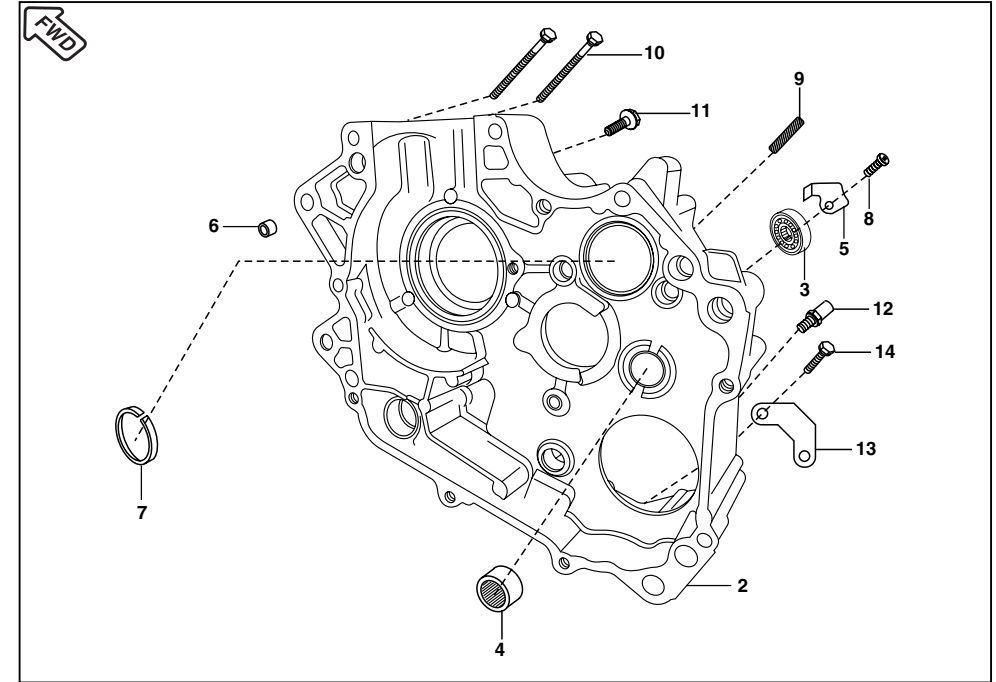
No.	Part No.	Description	7A	7B	Remarks
			ES	KS	
16	JA 5510 09	Caller sprocket drive	1	1	
17	59 2100 24	"O" ring caller sprocket	1	1	
18	JA 5510 10	Sprocket drive (15T)	1	1	
19	DU 1012 13	Plate lock sprocket	1	1	
20	39 1981 04	Socket head bolt	2	2	
21	JA 5310 07	Flange nut	1	1	
22	JA 5510 02	Spline Washer	2	2	



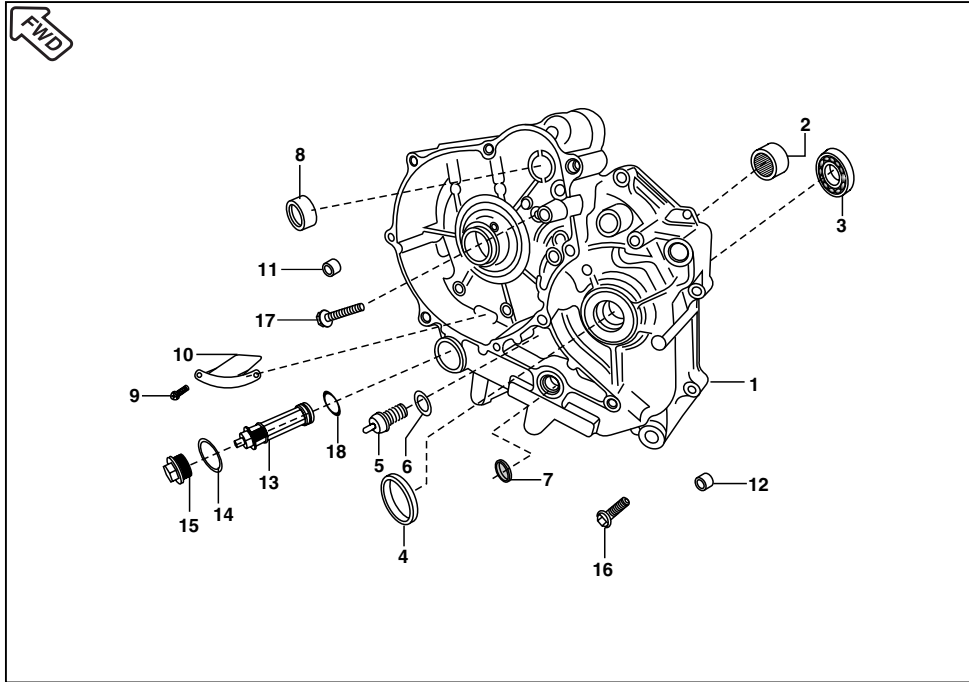
No.	Part No.	Description	8A	8B	Remarks
			ES	KS	
1	JA 5610 00	Drum complete gear shift	1	1	
2	39 0992 06	Dowel	5	5	
3	DP 1013 40	Allen bolt	1	1	
4	JA 5610 04	Shaft gear shift fork	2	2	
5	JA 5610 05	Fork gear shift output	1	1	
6	JA 5610 06	Fork gear shift input	1	1	
7	DK 1011 35	Bush	2	2	
8	JA 5610 02	Cam drum change	1	1	
9	JA 5610 03	Cup washer	1	1	



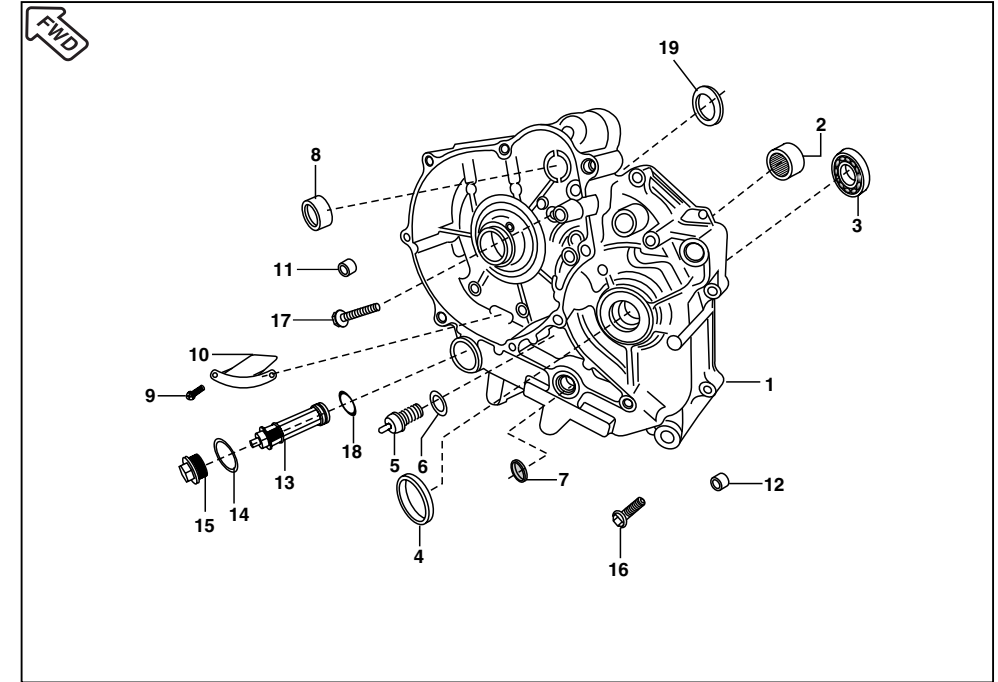
No.	Part No.	Description	9A	9B	Remarks
			ES	KS	
1	JA 5612 00	Lever comp. gear shift	1	1	
2	JA 5612 05	Extension spring	1	1	
3	JA 5612 06	Spring gear shift return	1	1	
4	JA 5612 07	Inhibitor com. gear shift	1	1	
5	JA 5612 08	Spring	1	1	
6	JA 5612 09	Step washer	1	1	
7	39 2704 11	Washer	1	1	
8	39 0817 15	Flange bolt	1	1	
9	JA 5614 00	Lever comp. gear shifter	1	1	with rubber damper
10	DH 1015 09	Damper	1	1	
11	DG 1013 39	Damper	1	1	
12	39 0817 15	Nut	1	1	



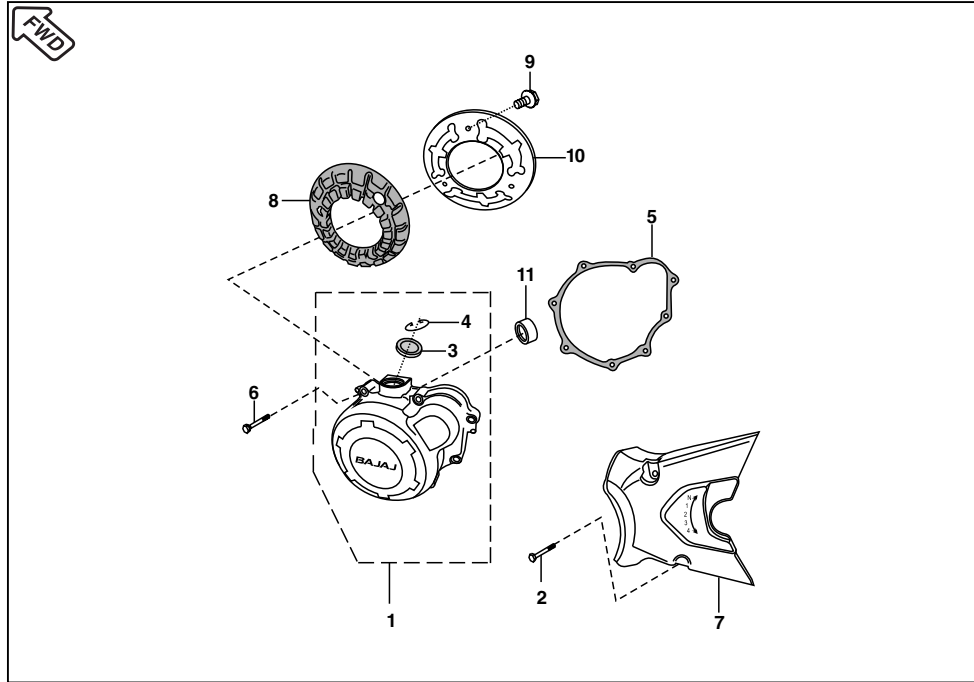
No.	Part No.	Description	10A	10B	Remarks
			ES	KS	
1	JA 5010 00	Engine Assly.	1	--	N.I.
	JP 5010 00	Engine Assly.	--	1	N.I.
2	JA 5410 45	Crankcase RH	1	--	NRB + bush + stud
3	59 2000 36	Bearing Ball	1	1	
4	JA 5410 11	Needle Roller Brg.	1	1	
5	JA 5410 10	Stopper Plate	1	1	
6	39 1000 06	Dowel Pin	2	2	
7	DU 1010 85	Bushing	1	1	
8	39 0746 01	Screw	1	1	
9	JA 5410 15	Stud inhibitor mtg.	1	1	
10	JA 5412 35	Bolt	2	2	Cr. case mtg.
11	59 0400 38	Bolt flange	1	1	
12	JA 5410 14	Bolt shift change	1	1	
	52 JA00 29	Bolt Precoated	1	1	Alt. for JA541014
13	JA 5410 12	Guide kick	1	1	
14	39 1964 04	Hexagon bolt	2	2	



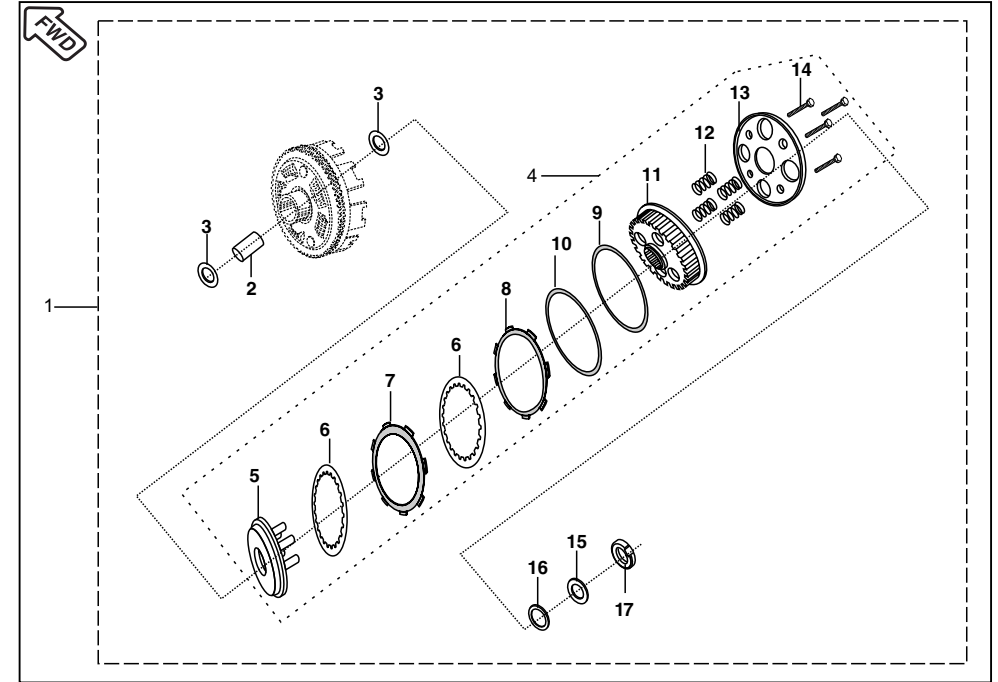
No.	Part No.	Description	11A	11B	Remarks
			ES	KS	
1	JA 5410 46	Crankcase LH	1	--	NRB + Bush + Orifice
	JP 5410 09	Crankcase LH	--	1	NRB + Orifice
2	39 2562 20	Needle roller bearing	1	1	
3	59 2000 36	Ball bearing	1	1	
4	39 1715 19	Seal oil	1	1	Output shaft
5	31 2010 81	Neutral switch	1	1	
6	DH 1012 64	Gasket neutral switch	1	1	
7	39 2190 19	Oil seal	1	1	Shifter shaft
8	JA 5410 05	Bush brass	1	1	Starter clutch
9	39 0747 01	Pan head screw	2	2	
10	JA 5410 34	Stopper gear starter clutch	1	1	
11	39 1000 06	Hollow dowel pin	2	2	
12	39 0999 06	Hollow dowel pin	2	2	
13	JA 5410 19	Mesh filter oil pump	1	1	
14	59 2100 23	"O" ring cap strainer	1	1	
15	JA 5410 21	Cap strainer	1	1	



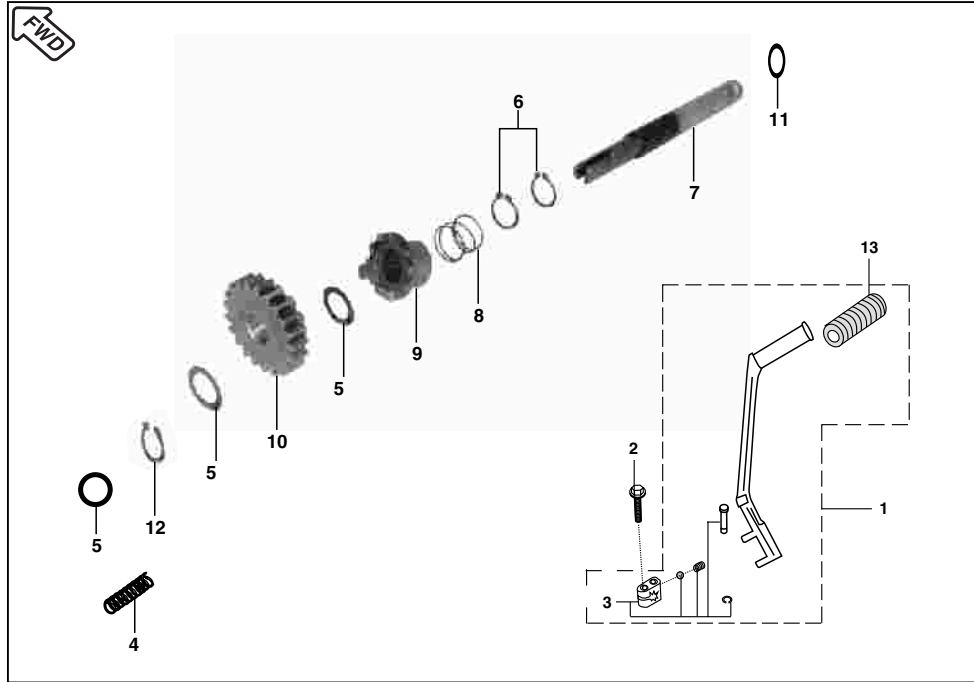
No.	Part No.	Description	11A	11B	Remarks
			ES	KS	
16	59 0400 38	Bolt flange	6	6	
17	39 1759 04	Bolt	1	1	
18	JA 5410 20	"O" ring mesh filter oil pump	1	1	
19	JA 5410 27	Damper for Crankshaft	1	1	



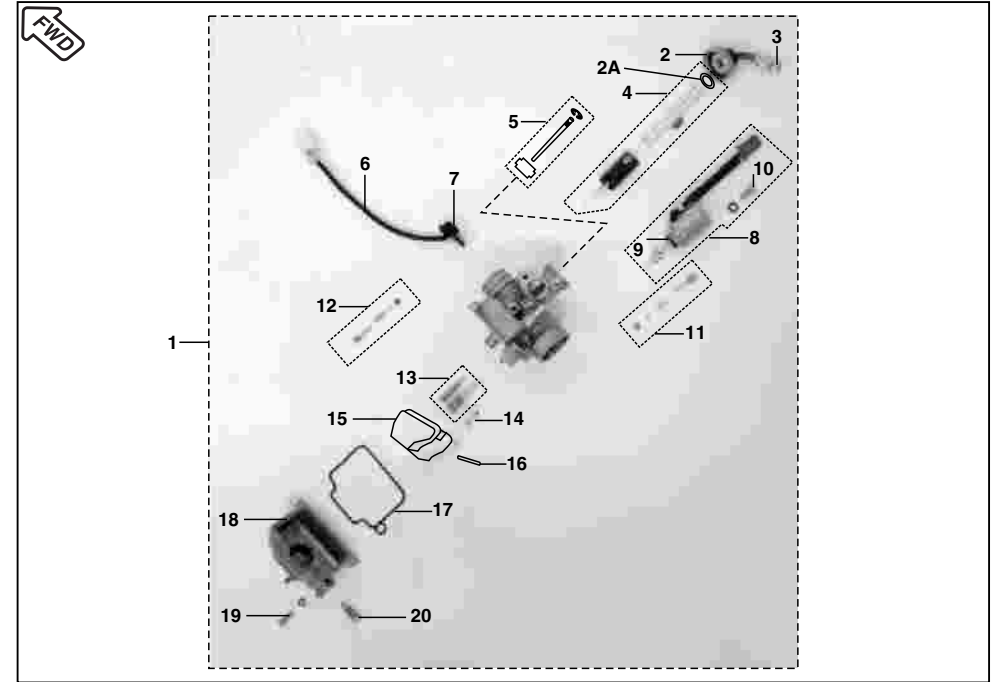
No.	Part No.	Description	13A	14B	Remarks
			ES	KS	
1	JA 5412 41	Cover magneto	1	--	With bush (Threaded cap design) (Gauge + Circlip)
	JP 5412 05	Cover magneto	--	1	
2	59 0400 38	Bolt	2	2	
3	DG 1014 18	Gauge	1	1	
4	DS 1012 15	Wire Circlip	1	1	
5	JA 5412 05	Gasket Magneto Cover	1	--	
	JP 5412 08	Gasket Magneto Cover	--	1	
6	JA 5410 44	Bolt flange	8	8	
7	JA 5412 14	Cover LH Rear with Decal	1	--	
	JP 5412 03	Cover LH Rear with Decal	--	1	
8	JA 5412 20	Damper Cover LH	1	1	
9	39 2208 04	Flanged Bolt	3	3	
10	JA 5412 21	Plate Damper Cover LH	1	1	
11	JA 5410 05	Bush	1	1	
12	JA 5412 33	Threaded Cap	1	1	N.I. From Nov. 2007
13	30 1011 95	"O" Ring	1	1	N.I. From Nov. 2007



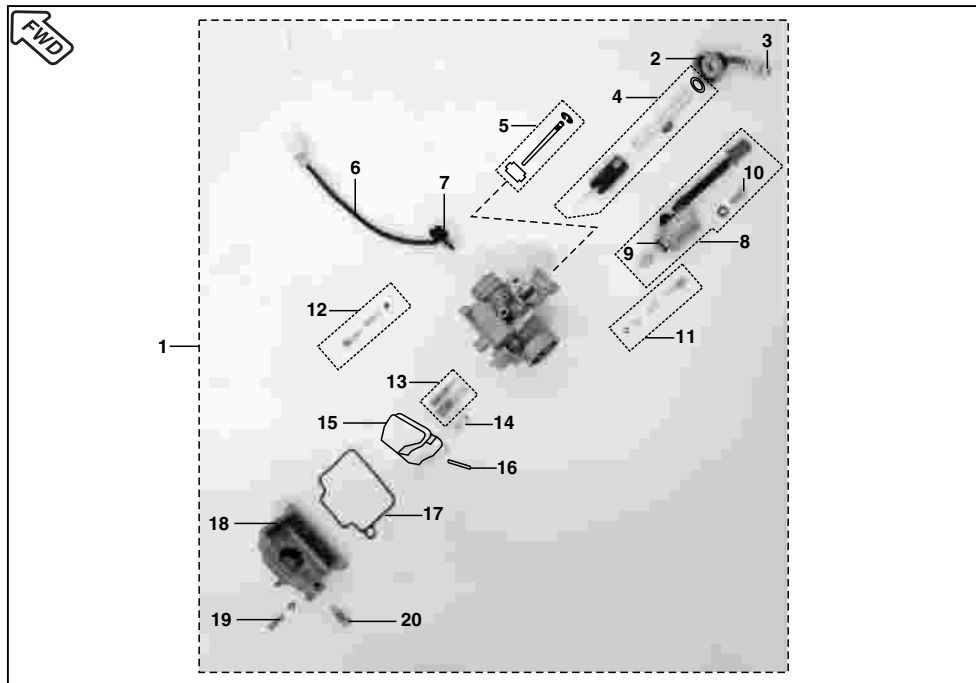
No.	Part No.	Description	14A	14B	Remarks
			ES	KS	
1	JA 5514 00	Clutch assly. complete	1	1	
2	JA 5514 06	Collar clutch	1	1	
3	39 2600 11	Washer	2	2	
4	JA 5514 13	Clutch plate assly.	1	1	
5	JA 5514 14	Wheel clutch	1	1	
6	JA 5514 19	Plate clutch	4	4	
7	JA 5514 18	Plate friction	4	4	(45 Segments)
8	JA 5514 17	Plate friction reduced	1	1	(30 Segments)
9	JA 5514 21	Plate judder	1	1	One side chamfer
10	JA 5514 22	Spring judder	1	1	
11	JA 5514 15	Hub clutch	1	1	
12	JA 5514 23	Compression spring	4	4	
13	JA 5514 08	Holder	1	1	
14	39 1553 04	Bolt upset	4	4	
15	JA 5514 16	Belleville washer	1	1	
16	JA 5514 20	Plain Washer	1	1	
17	JA 5310 07	Nut	1	1	Hub clutch lock



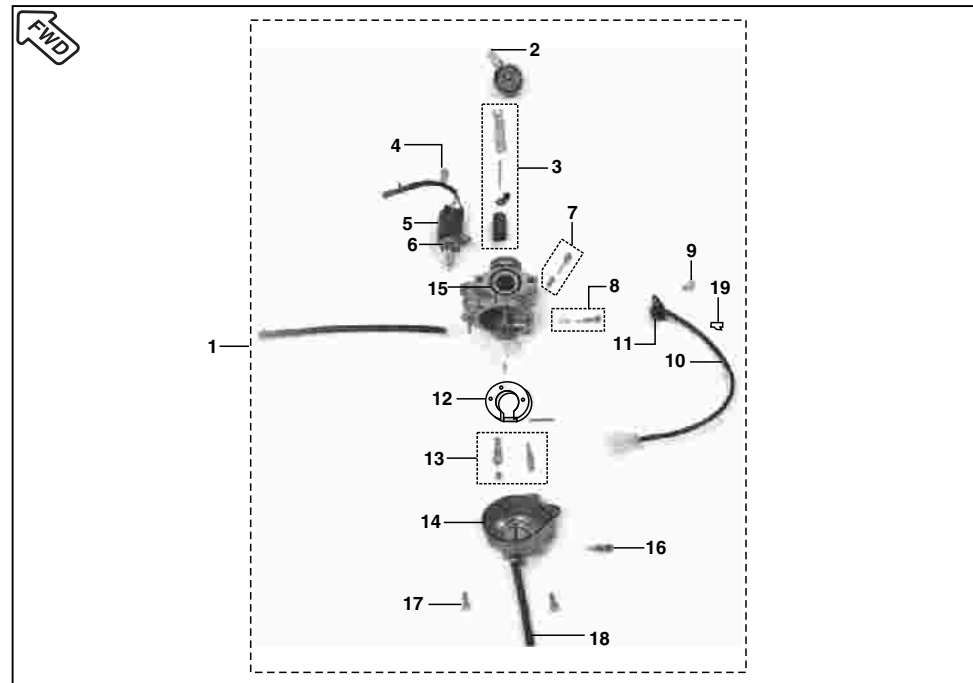
No.	Part No.	Description	15A	15B	Remarks
			ES	KS	
1	JA 6212 01	Lever assly. kick	1	1	Ref. page no. 65
2	DP 1510 18	Bolt Special	1	1	
3	36 DU10 07	Boss Kick Set	1	1	
4	DH 1011 25	Spring Kick Start Return	1	1	
5	39 0993 11	Plain Washer small	3	3	
6	39 0738 17	Circlip	2	2	
7	JA 6210 01	Spindle Kick Starter	1	1	
8	DS 1011 17	Spring Kick Starter	1	1	
9	JA 6210 02	Ratchet	1	1	
10	JA 6210 03	Gear spur kick starter	1	1	
11	JA 6210 06	Washer Thrust	1	1	
12	39 2408 17	Circlip	1	1	
13	DD 1010 97	Kick rubber	1	--	



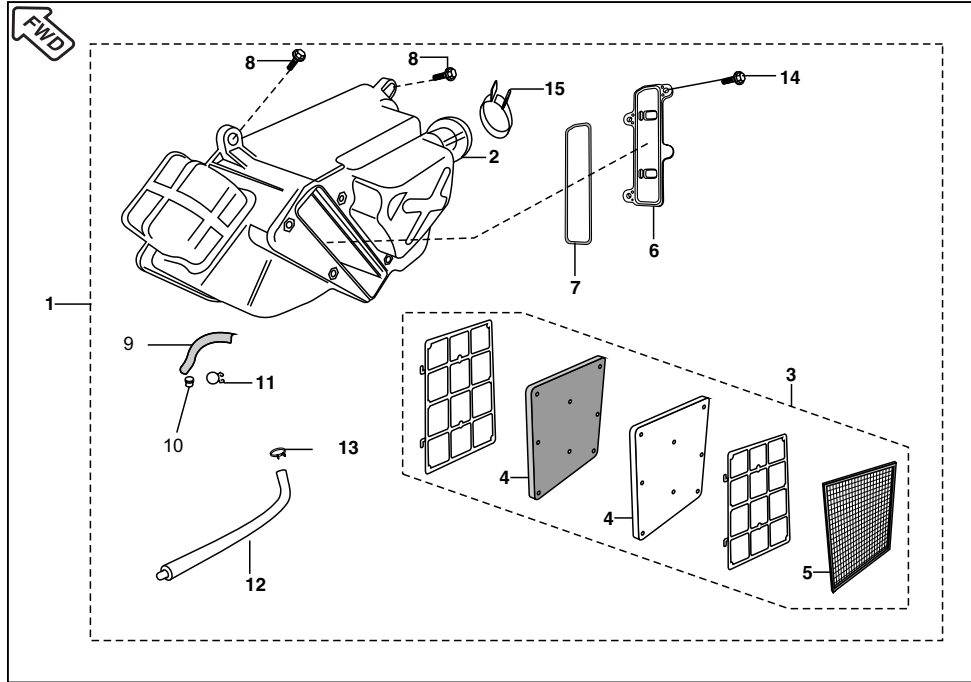
No.	Part No.	Description	16A	16B	Remarks
			ES	KS	
1	JA 5812 09	Carburettor assly.	1	1	Ref. page no. 66
2	JA 5812 23	Mixing cap assly	1	1	
2A	JA 5812 32	'O' Ring	1	1	
3	CB 1210 61	Cable adjuster	1	1	
4	JA 5812 45	Piston valve kit	1	1	
5	JA 5812 41	Needle jet kit	1	1	
6	JB 5812 02	Throttle position sensor	1	1	
7	JA 5812 38	"O" ring (TPS)	1	1	
8	JA 5812 39	Solenoid choke assly	1	1	
9	JA 5812 40	"O" ring (solenoid fixing)	1	1	
10	JA 5812 33	Screw	2	2	
11	JA 5812 42	Air screw kit	1	1	
12	JA 5812 43	Idling screw kit	1	1	
13	JA 5812 44	Jet kit	1	1	
14	JA 5812 21	Needle valve assly	1	1	
15	24 1213 65	Float assly	1	1	



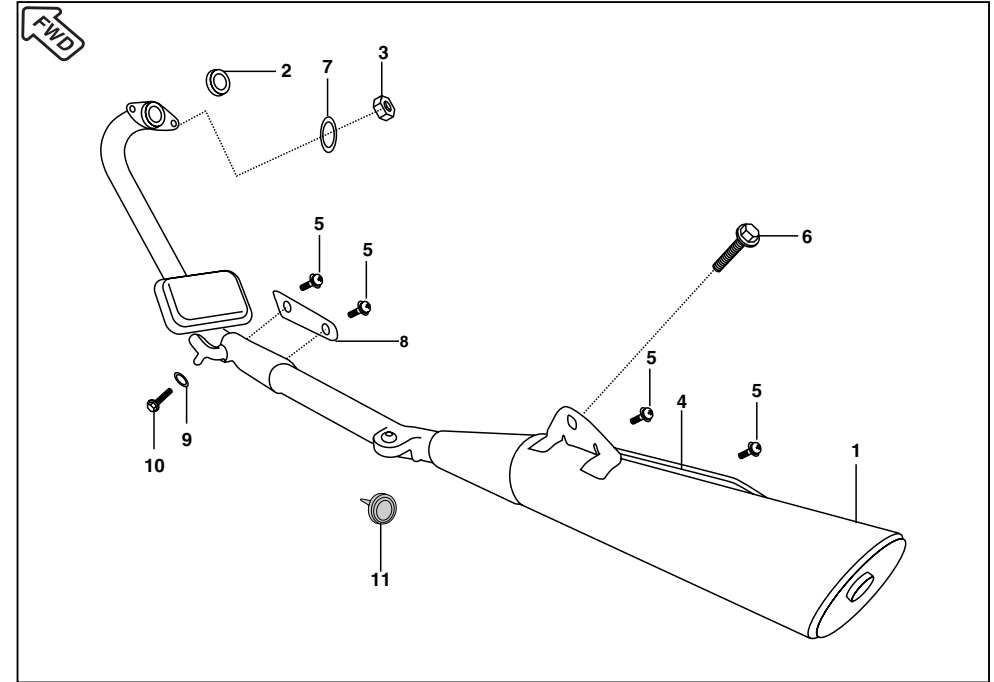
No.	Part No.	Description	16A	16B	Remarks
			ES	KS	
16	24 1210 69	Float pin	1	1	
17	JA 5812 32	"O" ring	1	1	
18	JA 5812 20	Float body assly	1	1	
19	CB 1210 46	Screw	4	4	
20	24 1210 86	Drain screw	1	1	



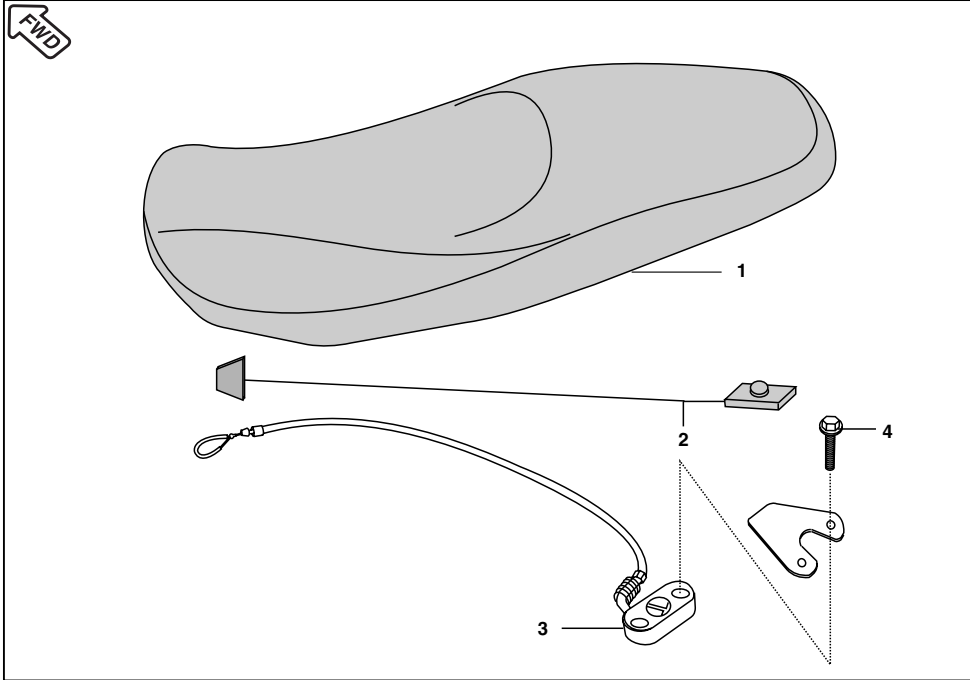
No.	Part No.	Description	16A	16B	Remarks
			ES	KS	
1	JB 5812 00	Carburettor assly.	1	1	
2	JA 5812 91	Cable adjuster	1	1	
3	JA 5813 10	Needle jet kit	1	1	Ref. page no.
4	JA 5813 07	Screw	1	1	
5	JB 5812 05	Solenoid choke assly	1	1	
6	JA 5812 40	"O" ring	1	1	
7	JA 5813 11	Air screw kit	1	1	Ref. page no.
8	JA 5813 12	Idling screw kit	1	1	Ref. page no.
9	JA 5813 09	Screw	1	1	
10	JB 5812 02	Throttle position sensor	1	1	
11	JA 5812 38	"O" Ring	1	1	
12	JA 5812 68	Float Complete	1	1	
13	JA 5813 13	Jet kit	1	1	Ref. page no.
14	JA 5812 76	Gasket	1	1	
15	JA 5813 01	"O" ring	1	1	
16	JA 5812 78	Drain Screw	1	1	
17	JA 5812 77	Screw Washer Bowl M4x14	1	1	
18	JA 5812 98	Tube Over Flow	1	1	
19	JA 5812 38	'O' Ring (TPS)	1	1	



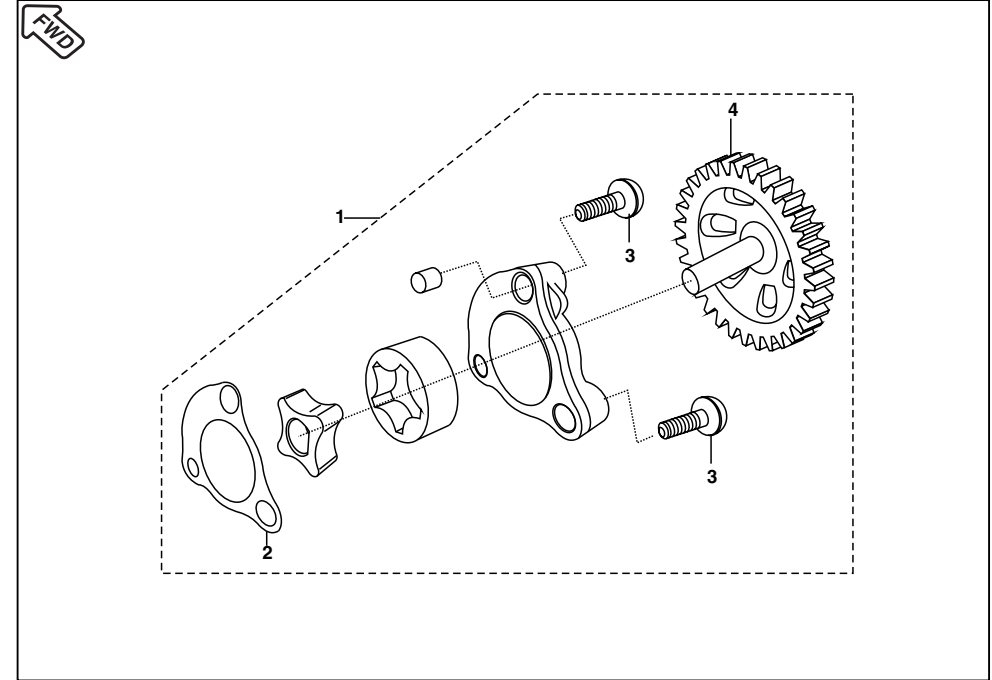
No.	Part No.	Description	17A	17B	Remarks
			ES	KS	
1	JA 5810 17	Air filter assly	1	1	For Ucal Carburettor
	JP 5810 00	Air Filter Assly.	1	1	For Kehin Carburettor
2	JA 5810 16	Air Filter duct	1	1	For Ucal Carburettor
	JA 5810 15	Connecting Tube	1	1	For Kehin Carburettor
3	JA 5810 05	Cartridge assly.	1	1	
4	JA 5810 06	Element air filter	2	2	
5	JA 5810 09	Flame arrestor	1	1	
6	JA 5810 10	Cartridge cover	1	1	
7	JA 5810 11	"O" ring cartridge	1	1	
8	39 1773 04	Flange bolt	4	4	
9	JA 5810 12	Tube drain	1	1	
10	DS 1211 26	Plug	1	1	
11	DP 1210 25	Clamp	1	1	
12	JA 5110 11	Hose breather	1	1	
13	JA 5110 29	Clamp breather	1	1	
14	39 1673 04	Flange bolt	3	3	
15	JA 5812 17	Clamp	1	1	For Ucal Carburettor
	DH 1210 38	Clamp	1	1	For Kehin Carburettor



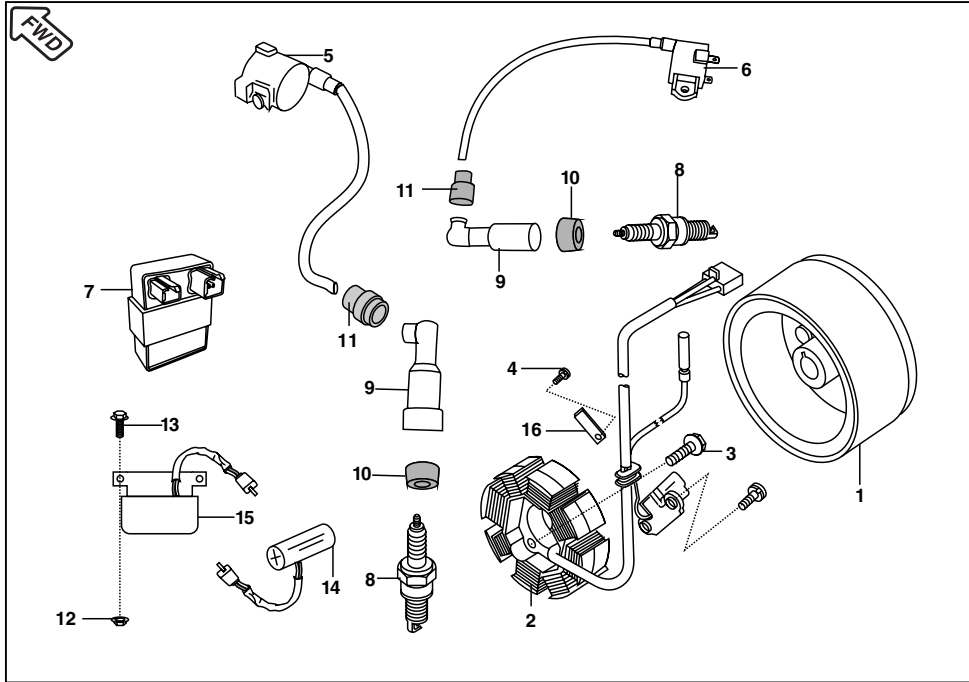
No.	Part No.	Description	18A	18B	Remarks
			ES	KS	
1	JA 5910 42	Silencer assly. W/o shield	1	1	Stand rubber mtd. on silencer
	JA 5910 43	Silencer assly W/o shield	1	1	Stand rubber mtd. on Frame From Nov. 2007 onwards
2	CB 1011 14	Gasket exhaust mtg.	1	1	
3	JA 5910 40	Flange nut	2	2	
4	JA 5910 36	Shield silencer	1	1	
5	DH 1016 07	Trues screw	4	4	
6	JB 1130 04	Hex head bolt flange	1	1	
7	39 2492 11	Plain washer	1	1	
8	JA 5910 37	Shield exhaust tube	1	1	(CAT)
9	39 2492 11	Plain washer	1	1	
10	39 2754 04	Bolt	1	1	
11	DG 1612 24	Stand Stopper Rubber	1	1	



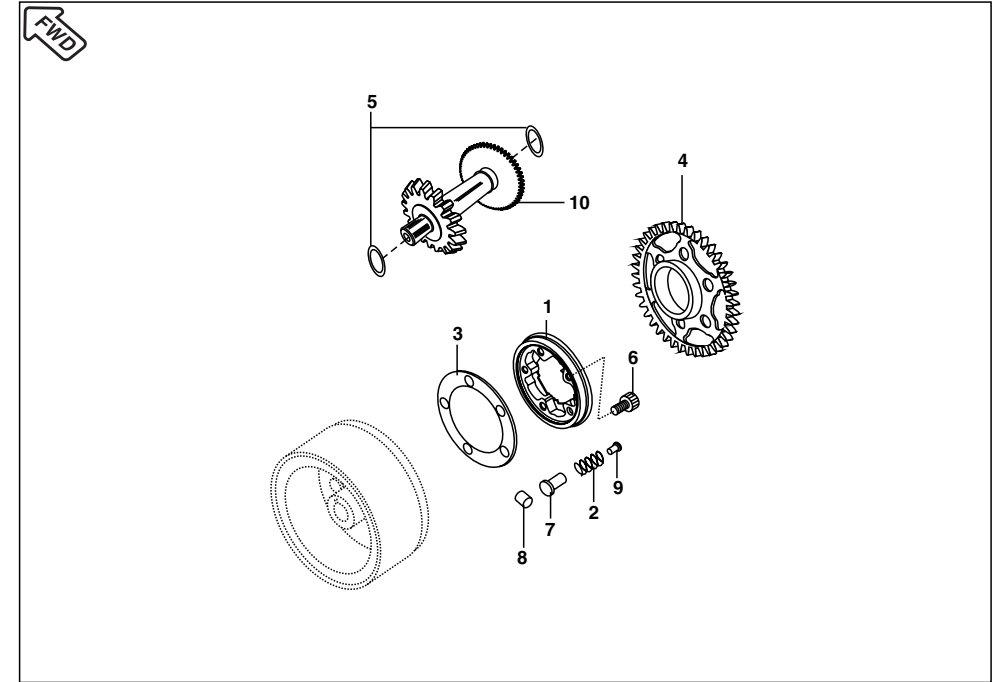
No.	Part No.	Description	19A	19B	Remarks
			ES	KS	
1	JB 1910 00	Seat assy. complete	1	1	Ref. page no.
2	36 DS21 01	Seat damper kit	1	1	
3	JB 1910 03	Lock assy. seat	1	1	
4	39 1902 04	Bolt flange small	2	2	



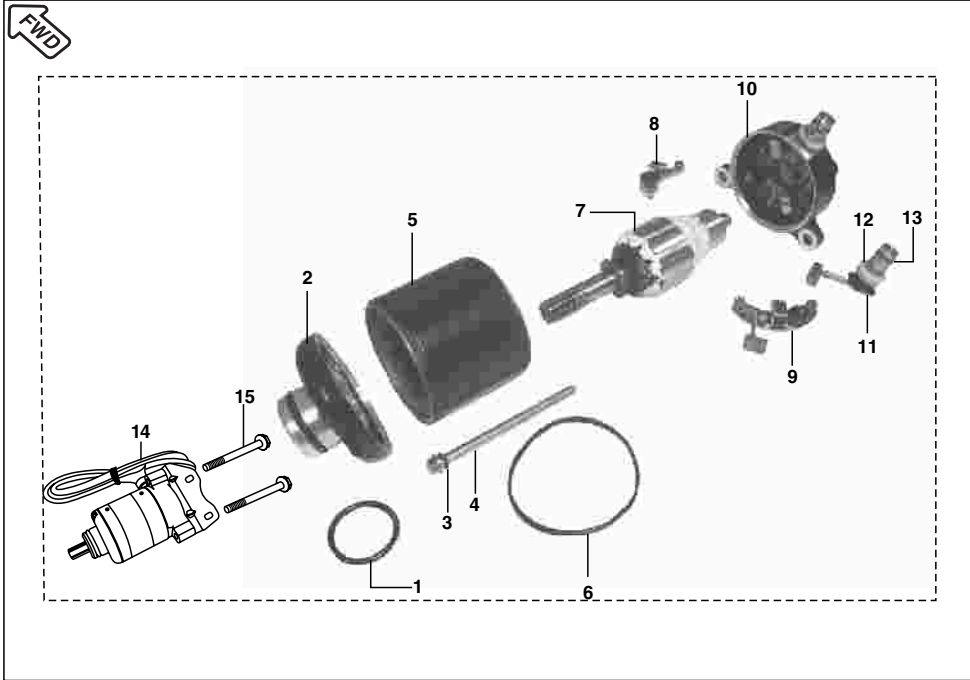
No.	Part No.	Description	20A	20B	Remarks
			ES	KS	
1	52 JA00 23	Oil pump assy.	1	1	
2	JA 5410 16	Gasket case oil pump	1	1	
3	39 0753 01	Pan head screw	3	3	
4	JA 5410 18	Gear driven + shaft oil pump	1	1	



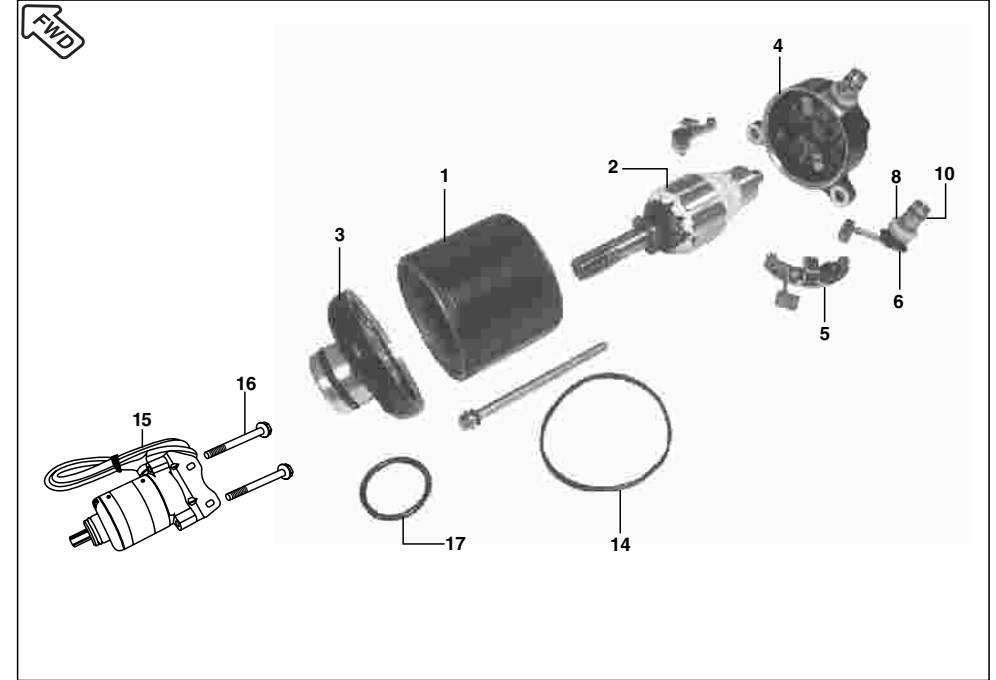
No.	Part No.	Description	21A	21B	Remarks
			ES	KS	
1	JA 3510 00	Roter assly.	1	--	
	JP 3510 01	Roter assly.	--	1	
2	JA 3510 12	Stator assly. complete	1	1	
3	39 1674 04	Bolt flange	2	2	
4	39 0746 01	Pan head screw	3	3	
5	JA 3512 03	Ignition coil with cable & cap LH	1	1	
6	JA 3512 04	Ignition coil with cable & cap RH	1	1	
7	JA 3512 00	C.D.I. assly.	1	1	
8	DG 1110 08	Spark plug	2	2	
9	DD 1110 48	Spark plug cap	2	2	
10	DD 1110 11	Grommet spark plug cap	2	2	
11	DD 1110 12	Grommet for HT cable	2	2	
12	DJ 1810 65	Clip nut	1	1	
13	39 1943 04	Bolt flange	2	2	
14	DK 2010 36	Condenser	1	1	
15	JB 4020 00	DC Regulator	1	--	Till 1st week of Dec. 2007.
	JB 4020 01	Capacitor integral with regulator	1	1	(ES) From 2nd week of Dec. 2007 (KS) Since beginning.
16	JA 5410 28	Lock plate	1	1	



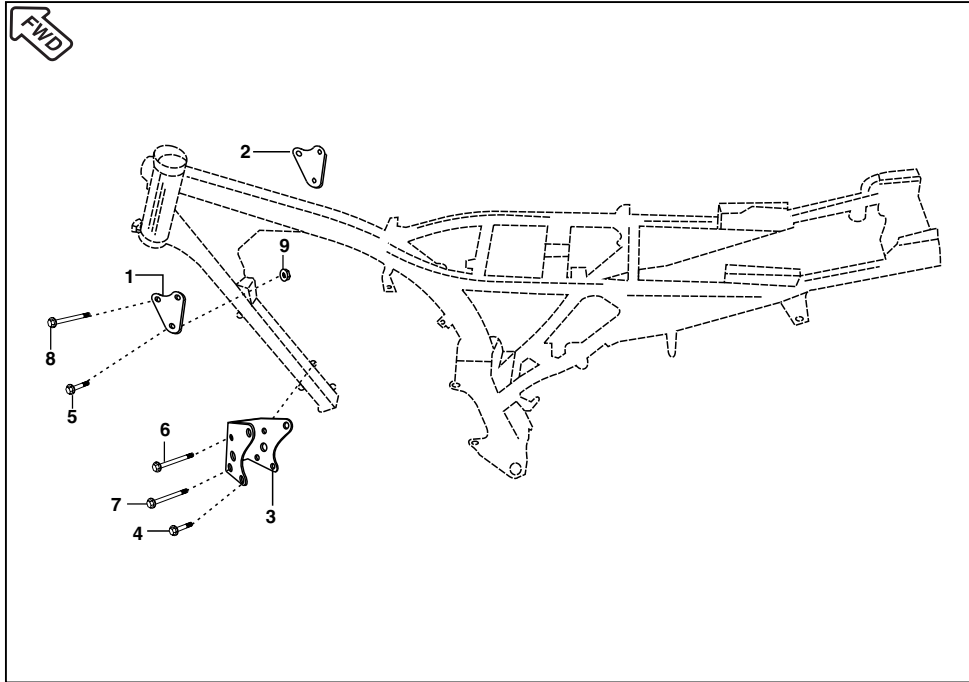
No.	Part No.	Description	22A	22B	Remarks
			ES	KS	
1	JA 6214 03	Body comp. starter clutch	1	--	
2	JA 6214 12	Spring	5	--	
3	DH 1017 81	Plate roller clutch	1	--	
4	JA 6214 10	Gear starter clutch	1	--	
5	JA 6214 02	Washer	2	--	
6	39 2437 04	Bolt socket	3	--	
7	DJ 1011 09	Bush for Spring Starter	5	--	
8	DH 1011 63	Roller	5	--	
9	JA 6214 11	Bush Spring Starter Clutch	5	--	
10	JA 6214 06	Drive assly.	1	--	



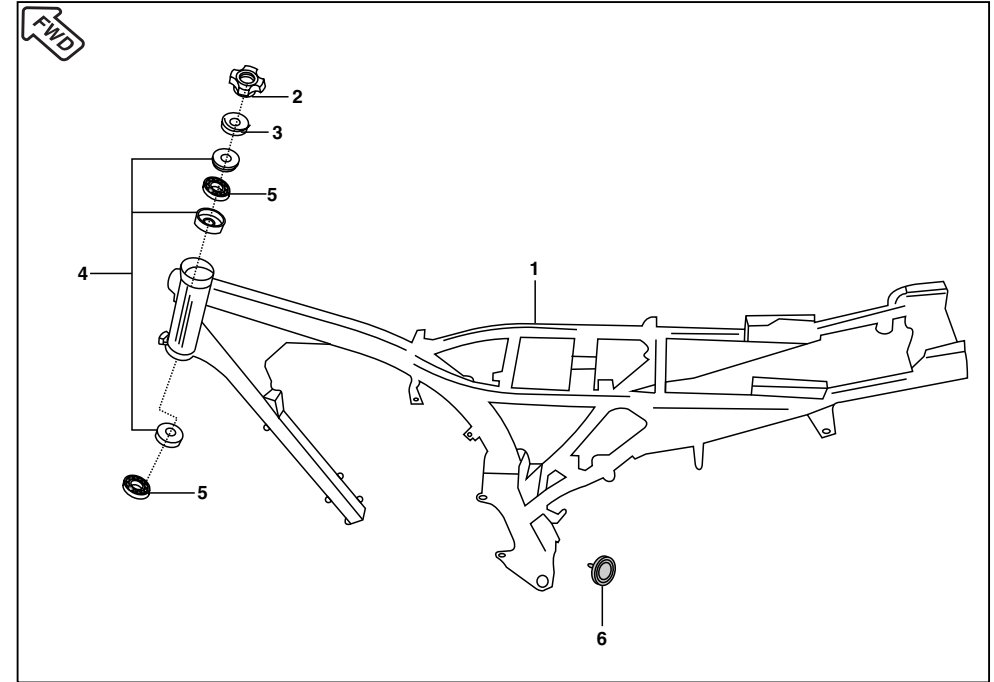
No.	Part No.	Description	22A	22B	Remarks
			ES	KS	
1	JA 3516 02	"O" ring for Motor Assly.	1	--	
2	JA 3516 01	DE bracket assly	1	--	
3	JA 3516 04	"O" ring for tie screw	1	--	
4	JA 3516 03	Tie screw	1	--	
5	JA 3516 05	Yoke assly	1	--	
6	JA 3516 06	Sealing Ring	1	--	
7	JA 3516 07	Armature assly	1	--	
8	JA 3516 08	Positive brush holder assly	1	--	
9	JA 3516 09	Negative brush holder assly	1	--	
10	JA 3516 11	CE bracket assly	1	--	
11	JA 3516 10	Positive terminal assly	1	--	
12	JA 3516 12	"O" ring inside insulator bush	1	--	
13	JA 3516 13	"O" ring	1	--	
14	JA 3516 00	Motor Assly. Stater	1	--	
15	JA 5210 19	Flange Bolt	2	--	



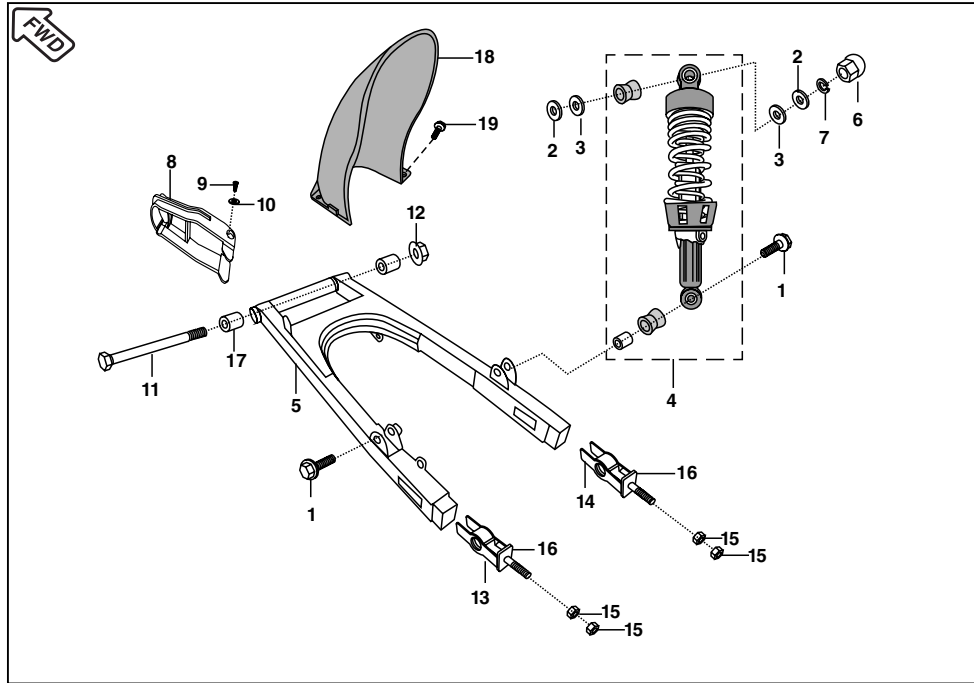
No.	Part No.	Description	22A	22B	Remarks
			ES	KS	
1	JA 3516 14	Yoke Assly.	1	--	
2	JA 3516 15	Armature Assly.	1	--	
3	JA 3516 16	DE Bracket Assly.	1	--	
4	JA 3516 17	CE Bracket Assly.	1	--	
5	JA 3516 18	Brush & Earth Plate Assly.	1	--	
6	JA 3516 19	Terminal Assly.	1	--	N.I.
7	JA 3516 20	Insul Bush	1	--	
8	JA 3516 21	"O" Ring (Terminal Insul)	1	--	
9	JA 3516 22	Insul Bush Outer	1	--	
10	JA 3516 23	"O" Ring Terminal	1	--	
11	JA 3516 24	Brush Spring	2	--	
12	JA 3516 25	"O" Ring (Terminal Bolt)	2	--	
13	JA 3516 26	Seal Yoke	2	--	
14	JA 3516 27	"O" Ring Spigot	1	--	
15	JA 3516 00	Motor Assly.	1	--	
16	JA 5210 19	Flange Bolt	2	--	
17	JA 3516 02	"O" ring for motor assly.	1	--	



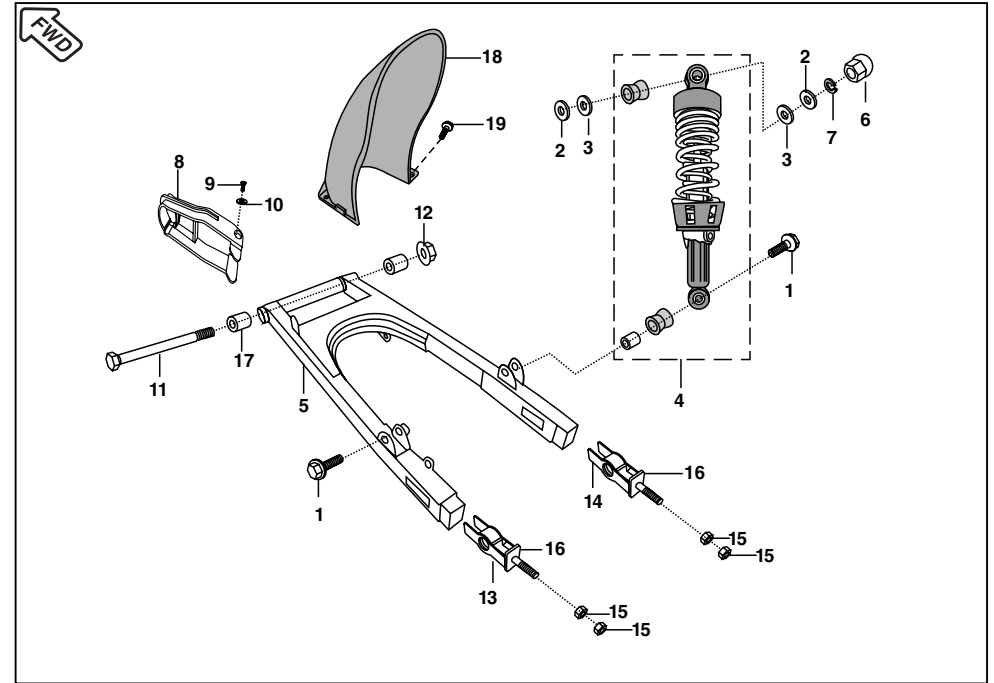
No.	Part No.	Description	23A	23B	Remarks
			ES	KS	
1	JA 1134 00	Bracket engine hanger LH	1	1	
2	JA 1134 01	Bracket engine hanger RH	1	1	
3	JA 1134 02	Engine Mounting bracket front	1	1	
4	39 2723 15	Hex Nut Flanged	2	2	
5	JA 1134 03	Bolt Flanged	2	2	for engine mtg.
6	JA 1134 04	Bolt flanged	3	3	for engine mtg.
7	39 2312 04	Bolt Flanged	3	3	
8	59 0400 17	Hex Bolt Flanged	1	1	
9	39 1970 15	Nut Flanged	7	7	



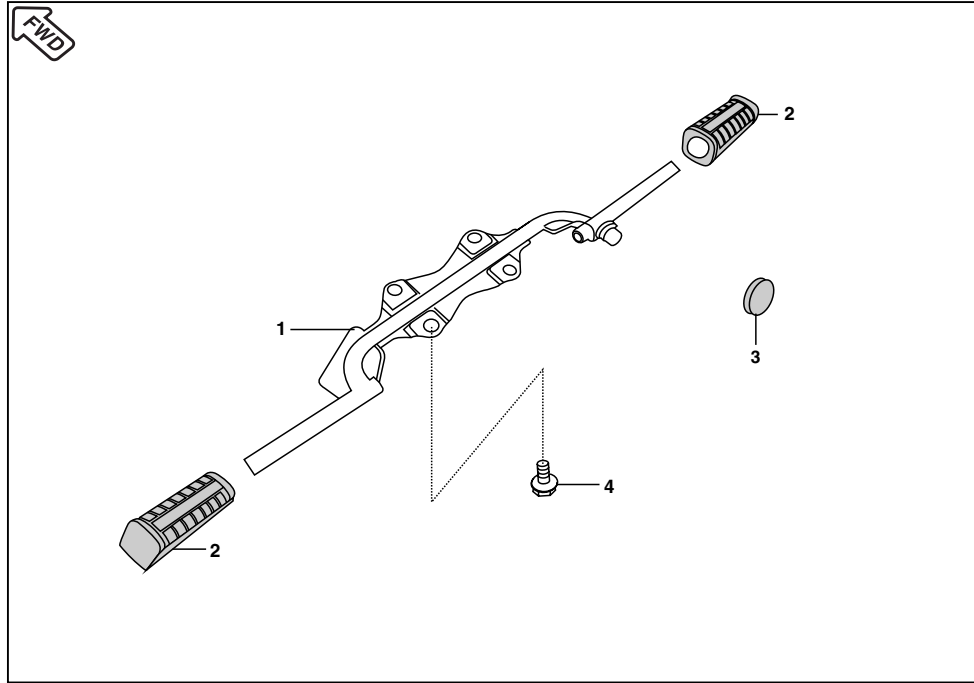
No.	Part No.	Description	24A	24B	Remarks
			ES	KS	
1	JB 1110 48	Frame Assly. comp.	1	1	
	JB 1110 31	Frame Assly. comp.	1	1	Stand rubber Mtd. on silencer
	JB 1110 43	Frame Assly. comp.	1	1	Stand rubber Mtd. on Frame From Nov. 2007 onwards
2	DS 1810 18	Nut Fork	1	1	
3	DH 1810 14	Cup - Steering	1	1	
4	36 DS18 02	Bearing cone Kit	1	1	Ref. page no.
5	DJ 1811 15	Cage Bearing	2	2	
6	JN 1132 00	Stand stopper rubber	1	1	



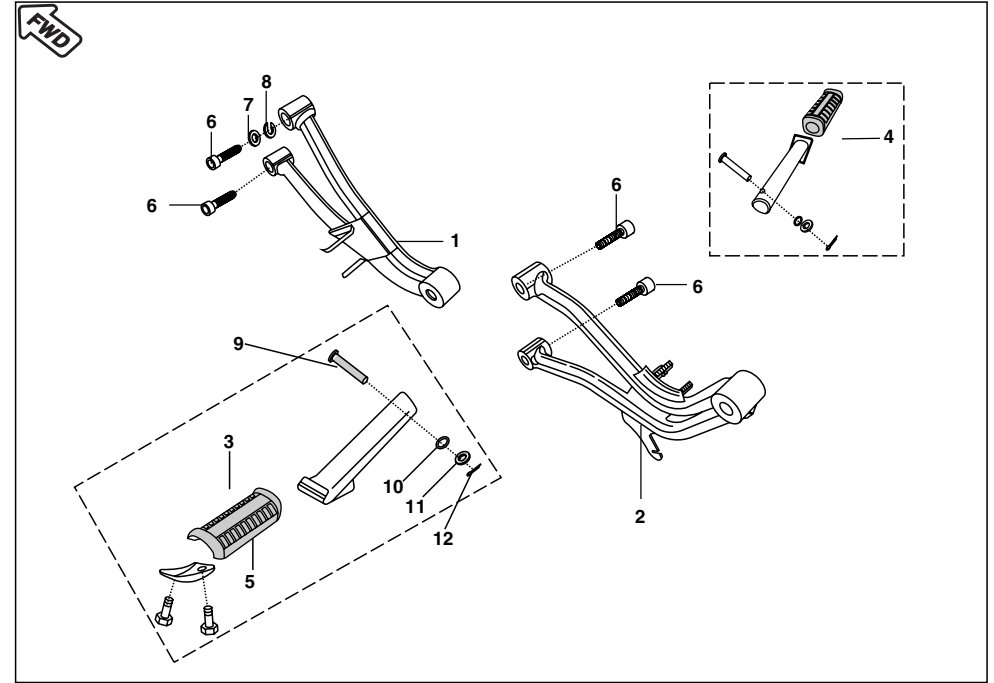
No.	Part No.	Description	25A	25B	Remarks
			ES	KS	
1	JB 1220 16	Hex. Bolt/ Flange	2	2	
2	JB 1220 11	Plain washer	4	4	
3	JB 1220 10	Plain washer	4	4	
4	JB 1220 13	Rear Shock Absorber	2	2	For Orange Colour
	JB 1220 14	Rear Shock Absorber	2	2	For Blue Colour
	JB 1220 05	Rear Shock Absorber	2	2	For Red Colour
	JB 1220 15	Rear Shock Absorber	2	2	For Silver Colour
5	JB 1220 07	Swing arm assly.	1	1	
6	JB 1220 09	Domed Cap Nut	2	2	
7	39 2726 12	Spring Washer	2	2	
8	JB 1220 03	Chain slider	1	1	
9	39 0553 02	Screw	2	2	
10	39 0454 11	Plain washer	2	2	



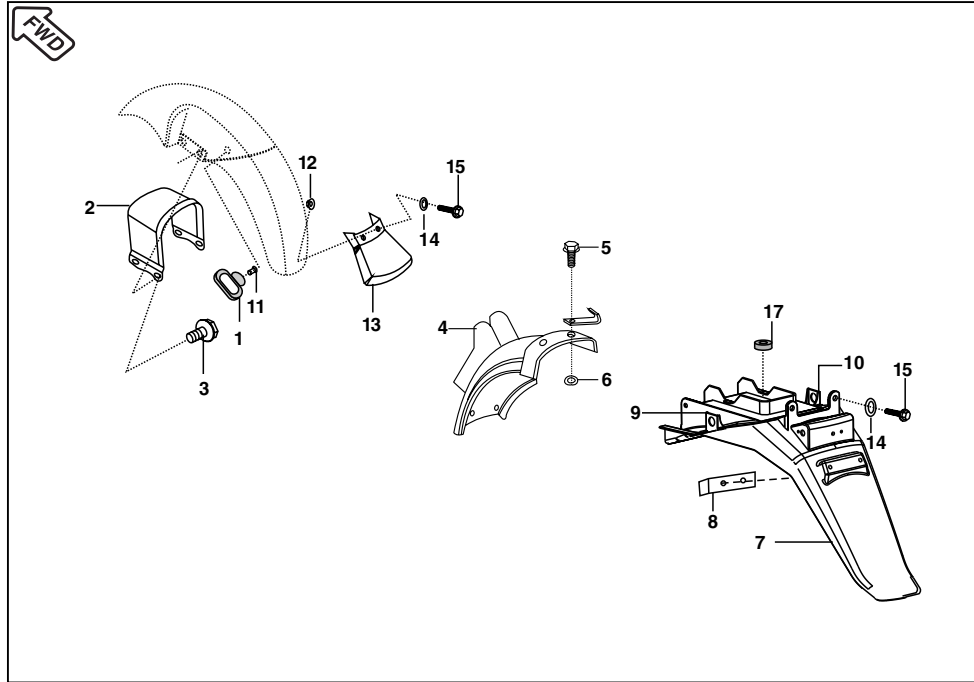
No.	Part No.	Description	25A	25B	Remarks
			ES	KS	
11	JB 1220 04	Shaft swing arm	1	1	
12	JB 1220 08	Special Nylock Nut	1	1	
13	DJ 1510 36	Adjuster chain LH	1	1	
14	DX 1510 14	Adjuster chain RH	1	1	
15	39 0292 15	Hexagon nut	4	4	
16	DJ 1510 47	Plate Chain Adjuster	2	2	
17	DP 1710 06	Silent bush	2	2	
18	JA 1814 20	Hugger	1	1	
19	DS 1612 24	Bolt step flange	3	3	



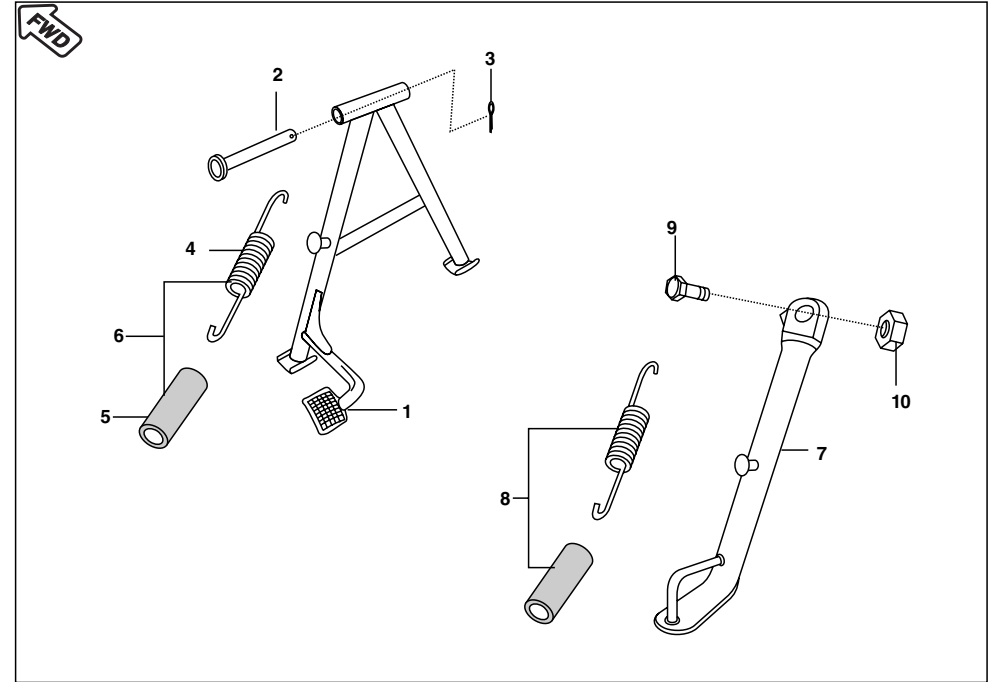
No.	Part No.	Description	26A	26B	Remarks
			ES	KS	
1	JA 1130 10	Stay main step fix	1	1	
2	DF 1614 13	Damper step front in PVC	2	2	
3	DH 1611 94	Stopper kick	1	1	
4	JA 1130 11	Bolt flange	4	4	



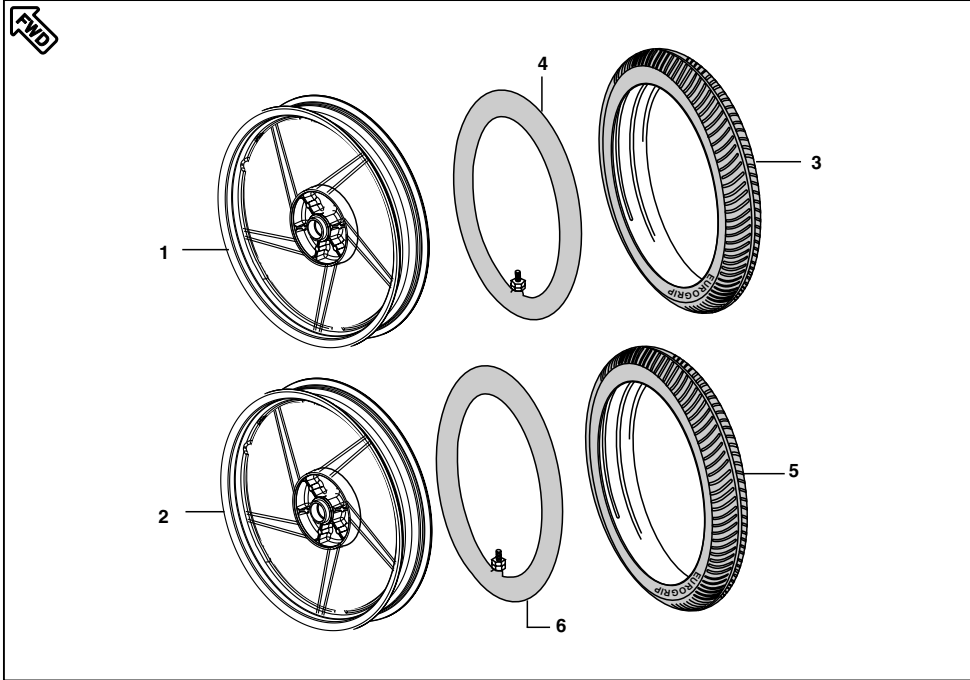
No.	Part No.	Description	27A	27B	Remarks
			ES	KS	
1	JB 1130 01	Holder LH step	1	1	
2	JB 1130 03	Holder RH step	1	1	
3	DX 1610 21	Pillion step assly. comp. LH	1	1	
4	DX 1610 24	Pillion step assly. comp. RH	1	1	
5	DX 1610 56	Rubber pillion step	2	2	
6	JB 1130 06	Special Bolt	-	4	
	39 2310 04	Bolt - Hex. Head with Flange -M8	4	-	
7	39 0254 11	Plain Washer	4	4	
8	39 0463 12	Spring Washer	4	4	
9	DD 1613 81	Pin Pillion Step	2	2	
10	30 1410 31	"O" Ring	2	2	
11	39 1040 11	Plain Washer	2	2	
12	39 0784 08	Split Pin	2	2	



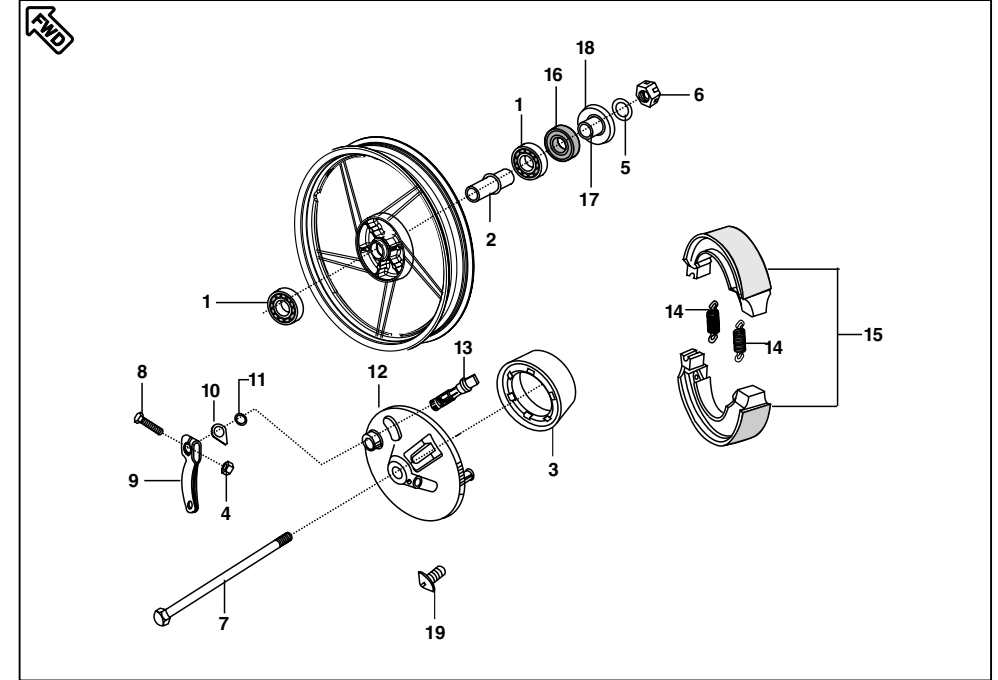
No.	Part No.	Description	28A	28B	Remarks
			ES	KS	
1	DS 1611 25	Cable Guide	1	1	
2	JB 1814 01	Brace fender	1	1	
	JB 1814 14	Brace fender	1	1	For fixed fr. no. plate
	JB 1814 16	Brace fender	1	1	For W/o fr. no. plate
3	JB 1814 12	Flange bolt	4	4	Fender front mtg.
4	JB 1814 04	Fender rear front	1	1	
5	39 1943 04	Flange bolt	3	3	
6	39 0211 11	Plain washer	3	3	
7	JB 1814 06	Fender rear	1	1	
8	JB 1814 07	Stay RR fender	2	2	
9	JB 1814 08	Clip nut LH	1	1	
10	JB 1814 09	Clip nut RH	1	1	
11	DJ 1610 69	Nail for Cable Guide	1	1	
12	39 0326 15	Nyloc Nut	3	3	
13	JB 1814 03	Flap Front fender	1	1	
14	39 0242 11	Plain Washer	3	3	
15	39 2420 01	Screw pan head	3	3	
16	DK 1810 41	Speed sensor holding clamps	2	2	NI
17	DK 1810 42	Rubber	2	2	



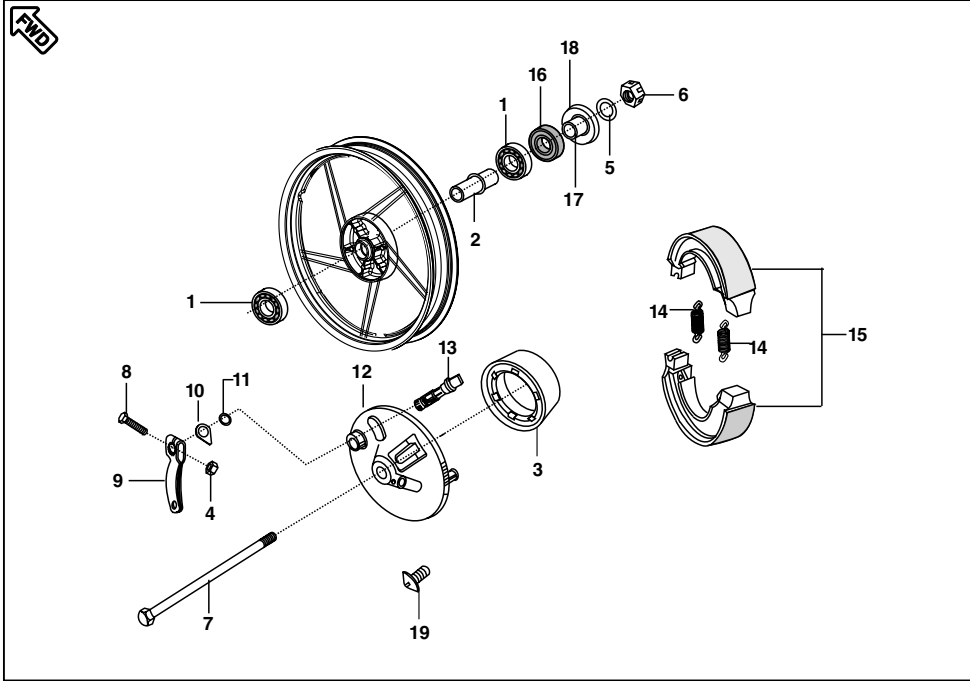
No.	Part No.	Description	29A	29B	Remarks
			ES	KS	
1	JA 1132 00	Center Stand	1	1	Stand rubber mtd. on silencer
	JB 1132 00	Center Stand	1	1	Stand rubber mtd. on frame From Nov. 2007
2	JA 1132 01	Shaft stand	1	1	
3	39 0797 08	Pin cotter	1	1	
4	DH 1611 21	Spring main stand	1	1	
5	DH 1611 45	Cover spring main stand	1	1	
6	DH 1612 39	Spring main stand with cover	1	1	
7	JA 1132 02	Stand side	1	1	
8	DH 1612 40	Spring side stand with cover	1	1	
9	DF 1611 02	Bolt	1	1	
10	39 0422 15	Nut	1	1	



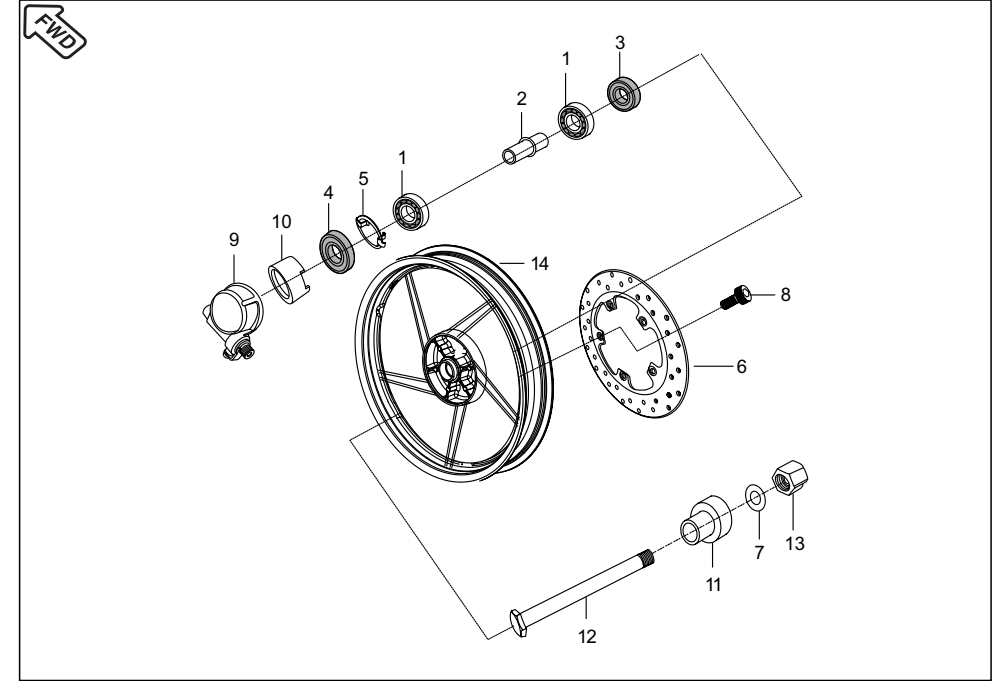
No.	Part No.	Description	30A	30B	Remarks
			ES	KS	
1	JB 1310 16	Wheel Rim Front	1	1	} Not Serviceable
2	JB 1312 22	Wheel Rim Rear	1	1	
3	DS 1510 48	Tyre Front	1	1	
4	DS 1510 49	Tube Front	1	1	
5	DS 1510 52	Tyre Rear	1	1	
6	DS 1510 53	Tube Rear	1	1	



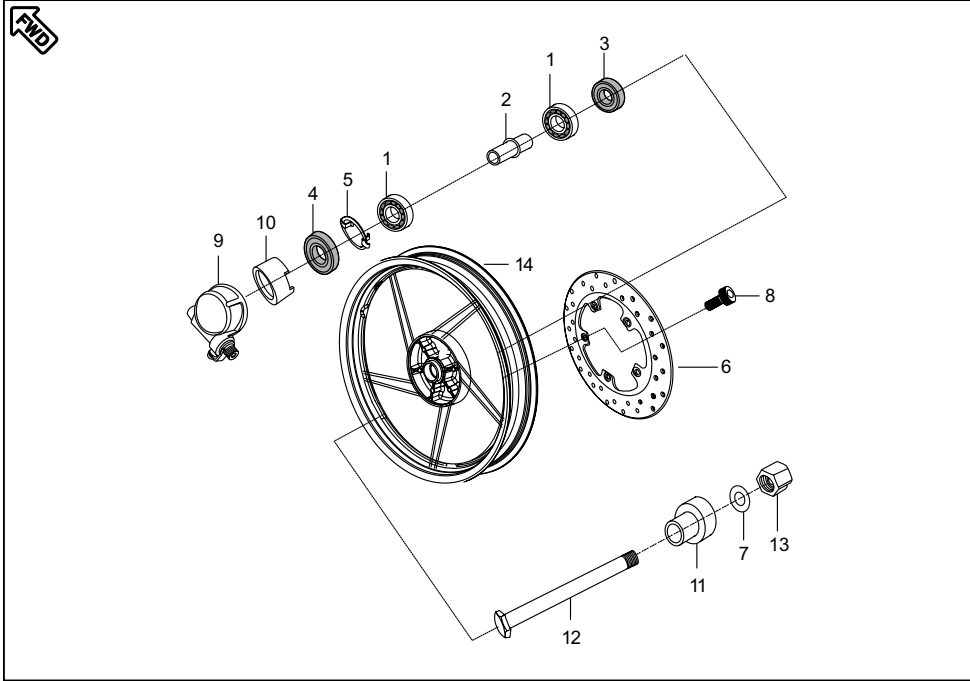
No.	Part No.	Description	31A	31B	Remarks
			ES	KS	
1	39 2688 20	Bearing Ball	2	2	
2	30 1510 32	Collar Bearing	1	1	
3	JB 1310 08	Ring speed sensor	1	1	
4	DS 1510 94	Nut	1	1	
5	JB 1310 18	Plain washer	1	1	
6	JB 1310 19	U Nut	1	1	
7	JB 1310 17	Axle	1	1	
8	DS 1510 95	Bolt	1	1	
9	DS 1510 92	Lever brake cam	1	1	
10	DS 1510 91	Indicator	1	1	
11	30 1510 38	Ring 'O'	1	1	
12	JB 1316 01	Panel front brake	1	1	
13	DS 1510 89	Cam brake	1	1	
14	30 1510 69	Spring	2	2	
15	30 1510 68	Shoe Brake	1	1	



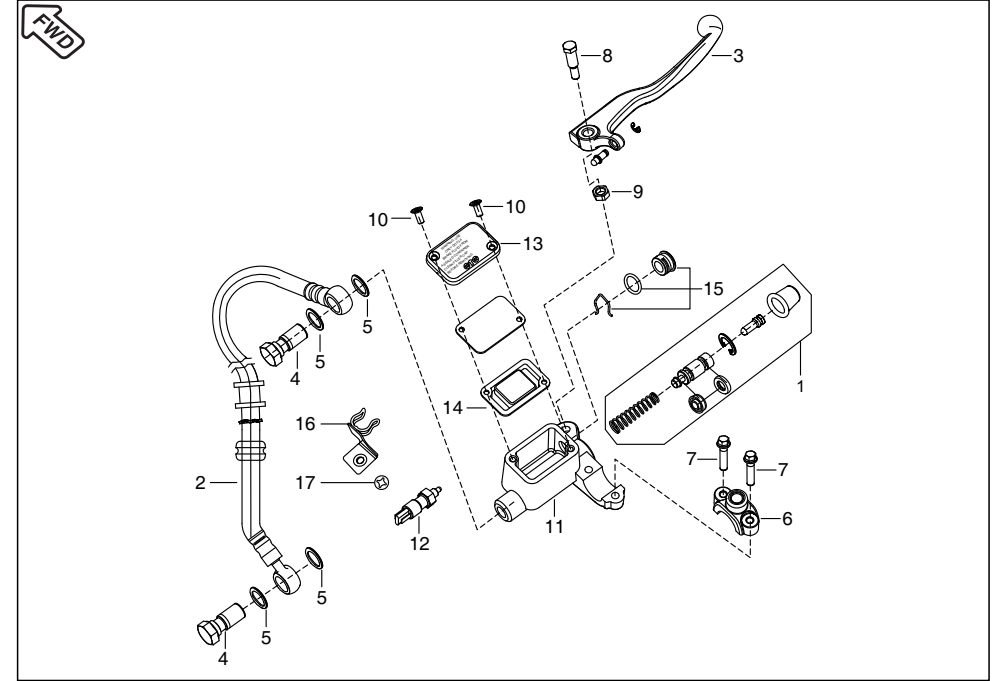
No.	Part No.	Description	31A	31B	Remarks
			ES	KS	
16	30 1510 33	Oil Seal	1	1	
17	JB 1310 22	Spacer Assly.	1	1	
18	DS 1510 56	Dust Seal	1	1	
19	JB 1310 20	Pan head screw	1	1	



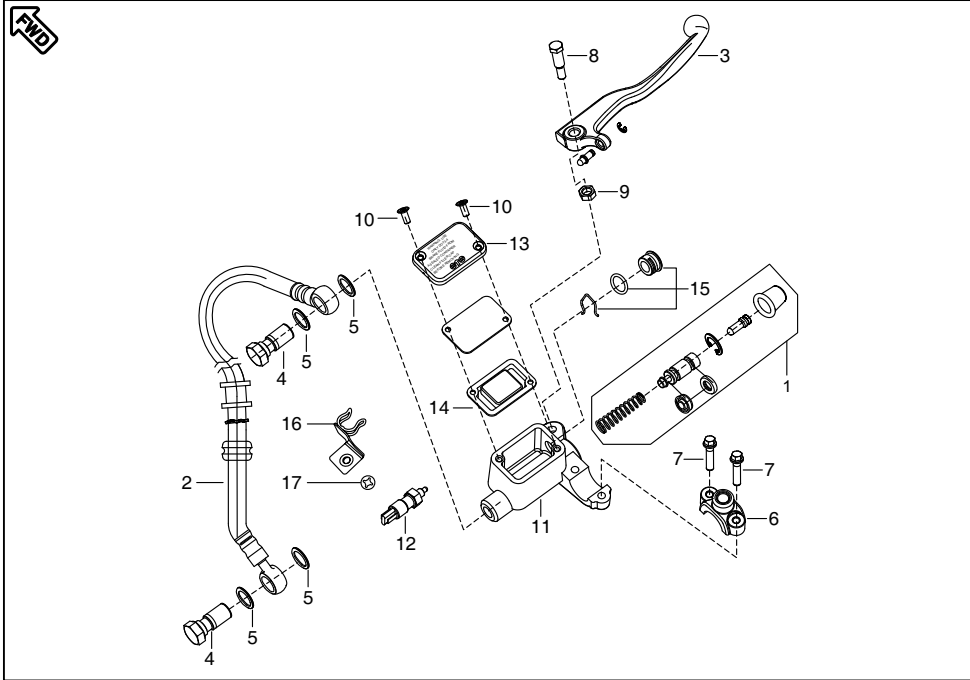
No.	Part No.	Description	32A	32B	Remarks
			ES	KS	
1	39 2688 20	Bearing Ball	2	--	
2	DE 1510 06	Spacer Assly.	1	--	
3	30 1510 33	Seal Oil	1	--	
4	DE 1510 08	Seal Oil	1	--	
5	DE 1510 12	Plate Drive	1	--	
6	JW 1318 06	Disc (200 mm Dia)	1	--	
7	JB 1310 18	Plain Washer	1	--	
8	LA C000 02	Hex. Soc. Head Bolt	5	--	
9	JN 1316 03	Case Meter Assly	1	--	
10	DJ 1510 94	Rotor Speedo (Disc)	1	--	
11	JN 1310 03	Spacer	1	--	



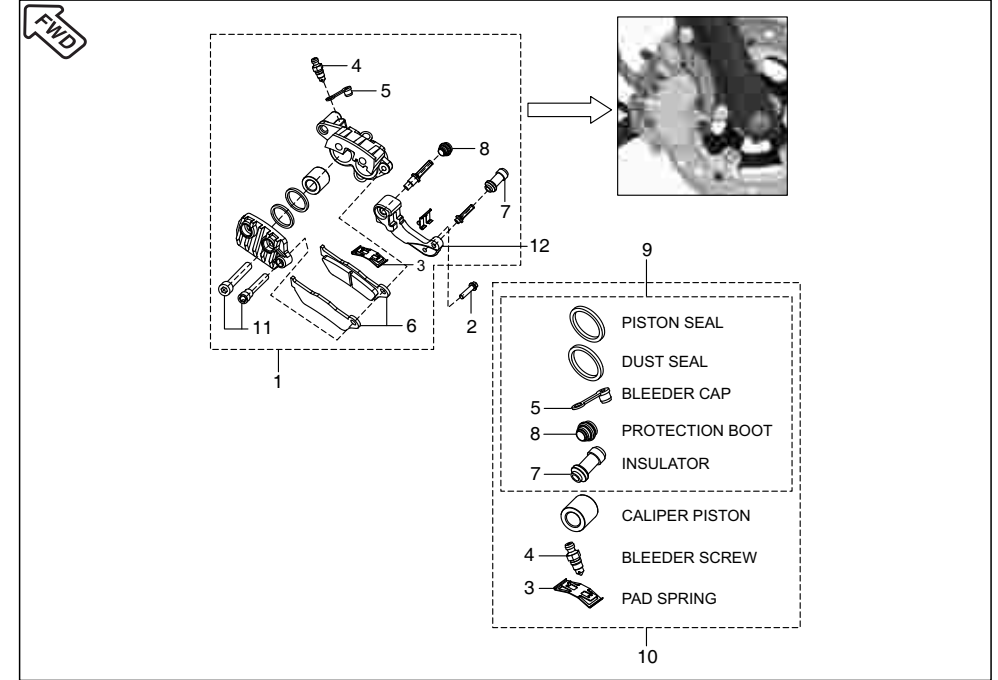
No.	Part No.	Description	31A	31B	Remarks
			ES	KS	
12	JB 1310 17	Axle	1	--	
13	JB 1310 19	'U' Nut	1	--	
14	JW 1310 04	Wheel Rim	1	--	



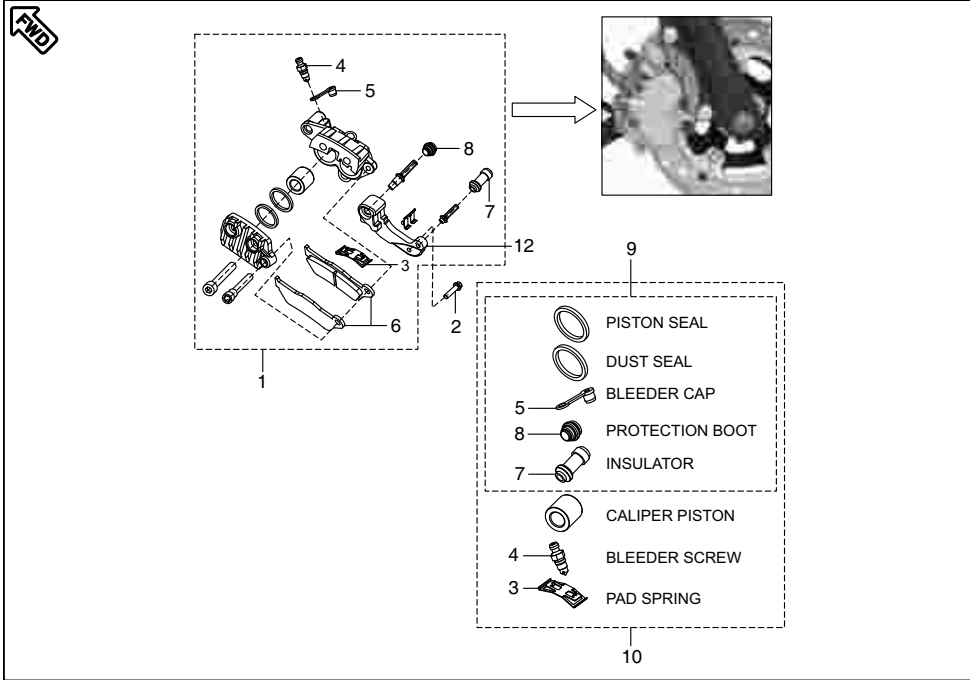
No.	Part No.	Description	32A	32B	Remarks
			ES	KS	
1	DJ 1910 23	Major Kit - Master Cylinder	1	--	
2	JW 1318 05	Hose Brake Front	1	--	
3	DJ 1910 06	Lever Grip RH	1	--	
4	DE 1910 11	Banjo Bolt	2	--	
5	DE 1910 10	Washer Copper	4	--	
6	DE 1910 34	Clamp Holder RH	1	--	
7	DJ 1910 28	Bolt	2	--	
8	DJ 1910 29	Bolt Front Brake Lever	1	--	
9	39 1943 04	Nut Flanged	1	--	
10	DE 1910 30	Screw	2	--	
11	DE 1510 15	Cylinder Master	1	--	
12	DE 2010 16	Front Brake Switch	1	--	



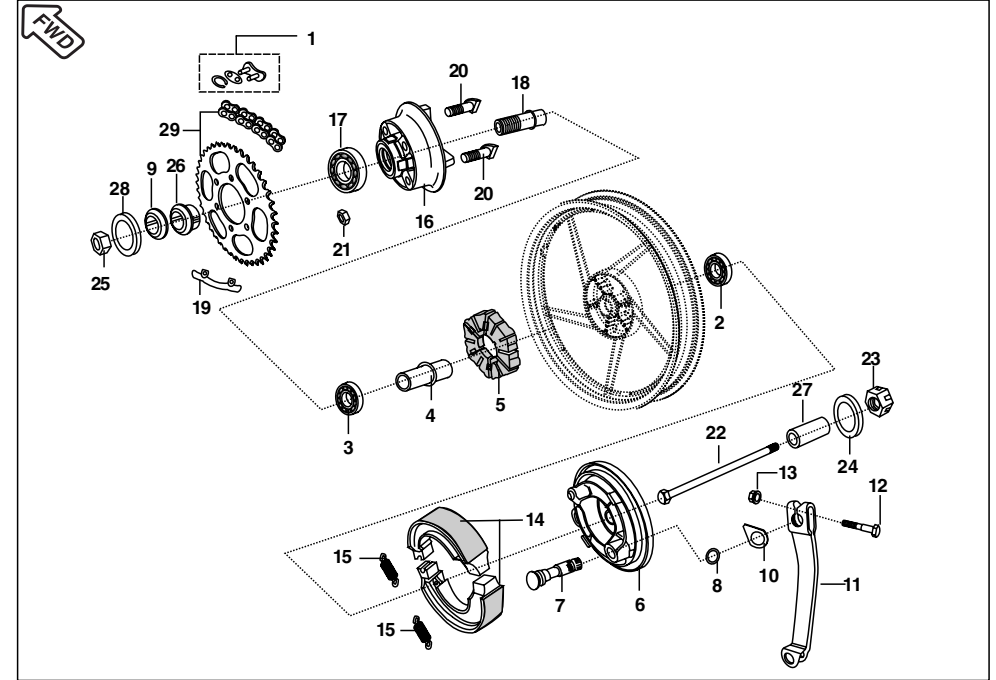
No.	Part No.	Description	31A	31B	Remarks
			ES	KS	
13	DE 1910 29	Reservoir Cover	1	--	
14	DE 1910 28	Diaphragm	1	--	
15	59 2100 19	'O' Ring Master Cylinder Kit	1	--	
16	JW 1318 04	Clamp Hose Pipe Upper	1	--	
17	DE 1510 41	Lock Washer	1	--	
18	DJ 2011 08	Cable Assly For Switch	1	--	N.I.



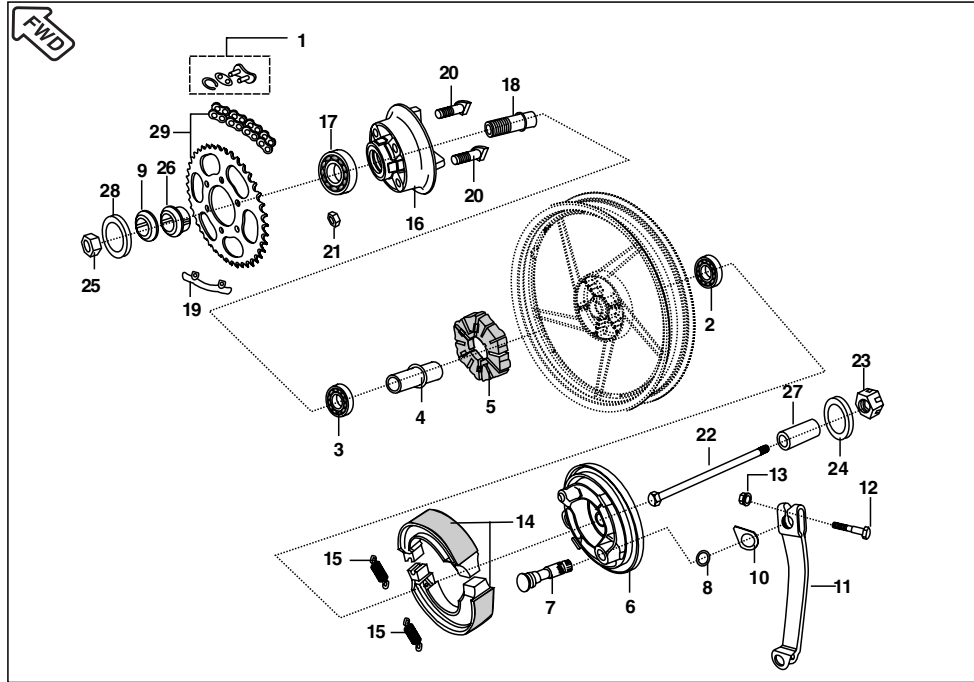
No.	Part No.	Description	32A	32B	Remarks
			ES	KS	
1	JW 1318 01	Caliper Assly. Front	1	--	
2	39 1943 04	Bolt Flanged Caliper Mounting	2	--	
3	DE 1510 48	Spring Pad	1	--	
4	DE 1510 46	Bleeder Screw	1	--	
5	DE 1510 47	Bleeder Cap	1	--	
6	JW 1318 07	Disc Pad Set	1	--	
7	DJ 1510 73	Protection Boot (8 mm Dia)	1	--	
8	DE 1910 27	Protection Boot (9 mm Dia)	1	--	
9	JW 1318 09	Minor Kit - Caliper	1	--	
10	DJ 1510 75	Major Kit - Caliper	1	--	
11	DJ 1612 80	Bolts	2	--	



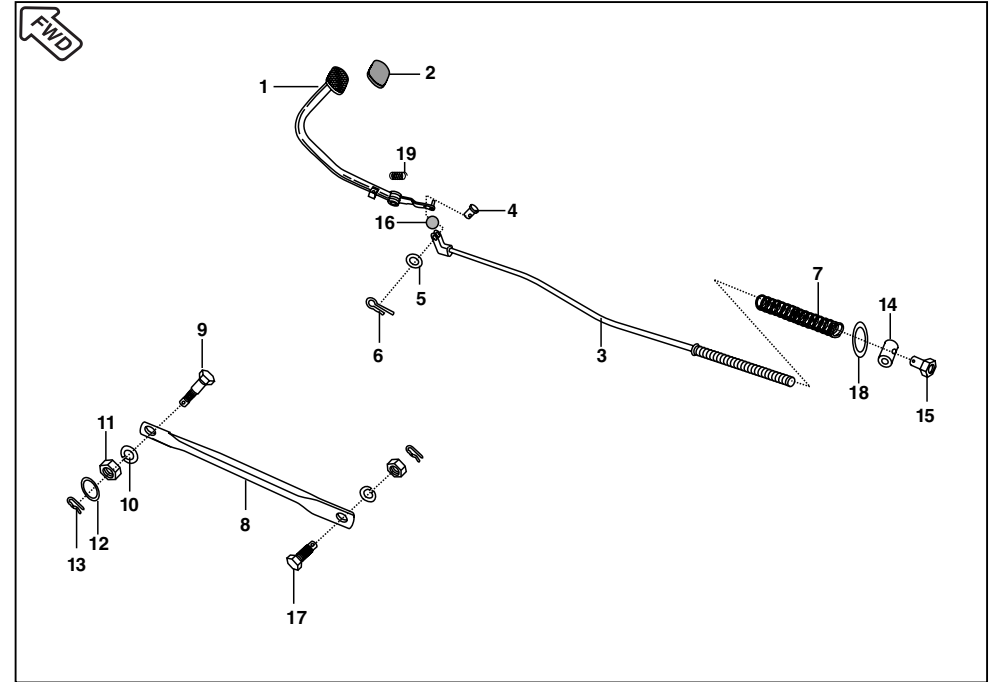
No.	Part No.	Description	31A	31B	Remarks
			ES	KS	
11	JW 1318 10	Anchor Pin Ki	1	--	N.I.
12	JW 1318 02	Holder Bracket	1	--	



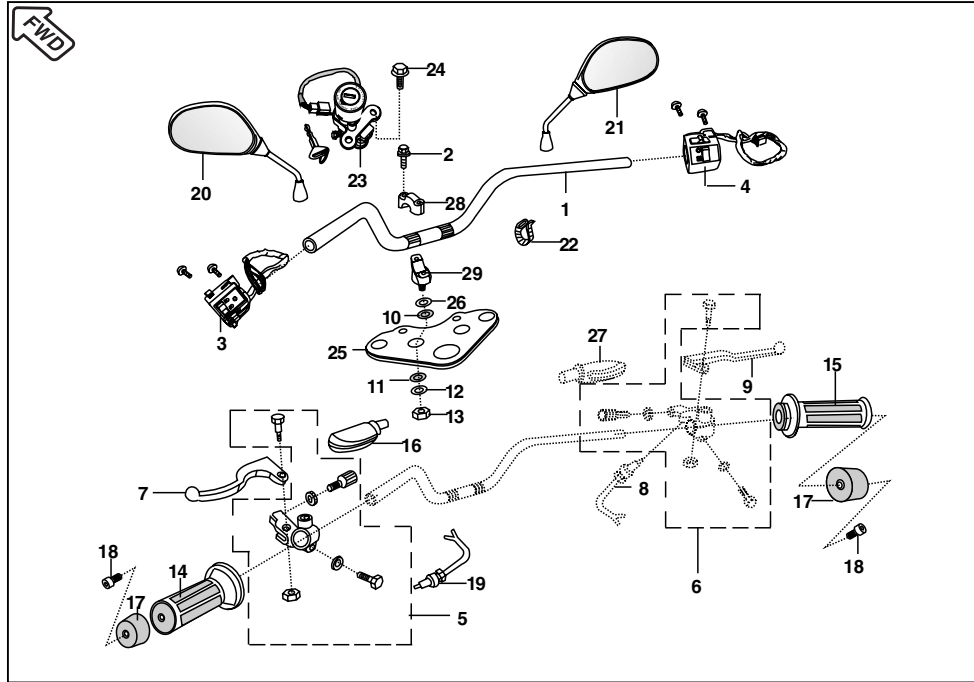
No.	Part No.	Description	32A	32B	Remarks
			ES	KS	
1	JB 1410 01	Drive Chain Lock	1	1	
2	39 2682 20	Bearing ball	1	1	
3	39 1364 20	Bearing ball	1	1	
4	31 1510 18	Collar bearing	1	1	
5	31 1510 21	Damper	1	1	
6	JA 1312 05	Panel rear brake	1	1	
7	JB 1312 23	Cam brake	1	1	
8	30 1510 38	Ring 'O'	1	1	
9	DS 1510 57	Dust cover	1	1	
10	DS 1510 90	Indicator	1	1	
11	JB 1316 05	Lever brake	1	1	
12	JB 1312 24	Flange Bolt	1	1	
13	DS 1510 94	Nut	1	1	
14	31 1510 60	Shoe brake	2	2	
15	30 1510 69	Spring	2	2	



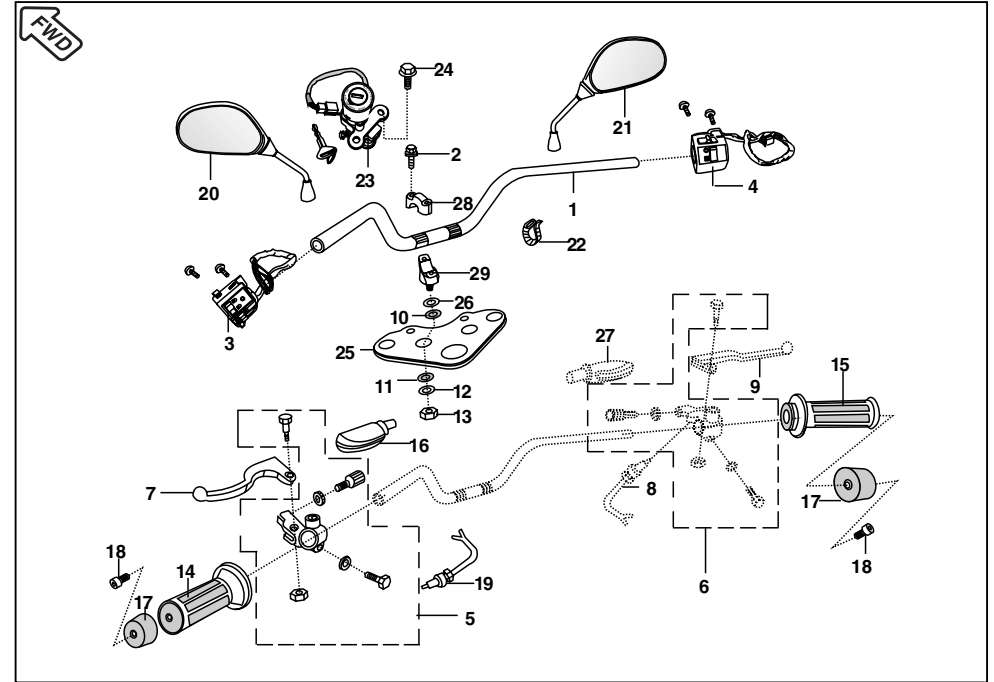
No.	Part No.	Description	32A	32B	Remarks
			ES	KS	
16	DX 1510 08	Coupling	1	1	
17	39 2240 20	Bearing ball	1	1	
18	DX 1510 09	Sleeve	1	1	
19	31 1510 29	Lock Washer	4	4	
20	DX 1510 10	'D' Bolt	4	4	
21	39 0794 15	Hex. lock nut	4	4	
22	DX 1510 16	Axle	1	1	
23	JB 1310 19	'U' nut	1	1	
24	DX 1510 15	Plain washer	1	1	
25	JB 1312 25	Nut	1	1	
26	JA 1312 02	Collar	1	1	
27	DX 1510 13	Collar	1	1	
28	DX 1510 18	Plain washer	1	1	
29	36 JA00 05	Chain sprocket kit	1	1	Refer page no. 61



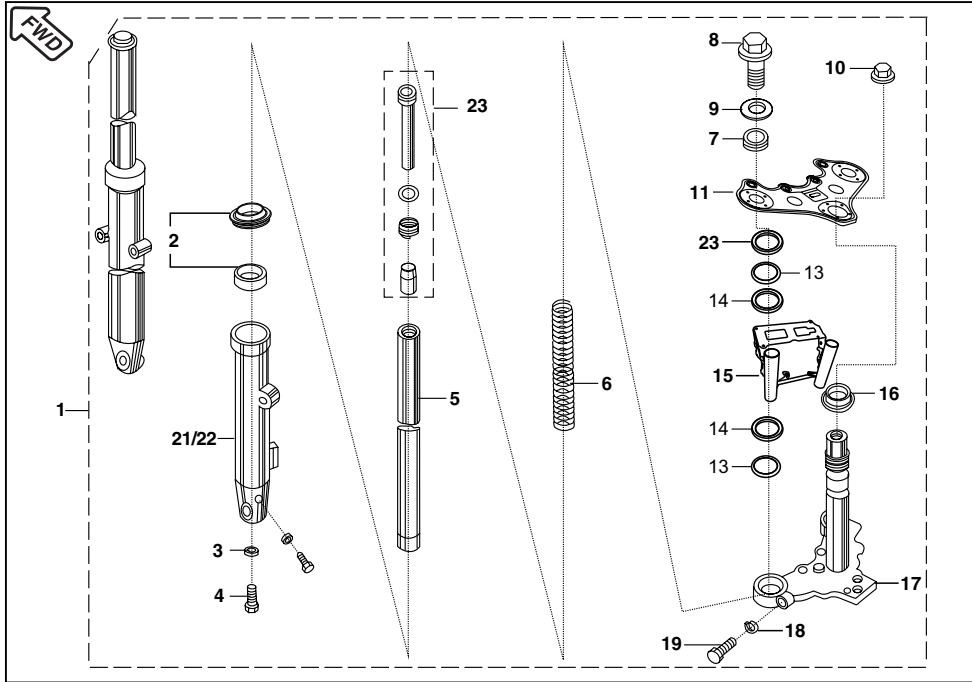
No.	Part No.	Description	33A	33B	Remarks
			ES	KS	
1	JA 1610 00	Brake Pedal	1	1	
2	JA 1610 03	Pad Brake Lever (PVC)	1	1	
3	JB 1610 05	Rod brake	1	1	
4	30 1910 38	Pin	1	1	
5	39 0198 11	Plain washer	2	2	
6	39 0808 08	Split pin	1	1	
7	30 1910 35	Spring	1	1	
8	JA 1210 04	Rod torque	1	1	
9	JA 1210 05	Step bolt	1	1	
10	39 1540 11	Plain washer	1	1	
11	39 0694 15	Hex. lock nut	2	2	
12	39 0789 12	Washer spring	2	2	
13	39 0807 08	Pin snap	2	2	
14	JB 1610 02	Pin	1	1	
15	JB 1610 03	Brake Adjuster Nut	1	1	
16	DS 1910 35	Packing brake rod	1	1	
17	30 1510 96	Hex bolt	1	1	
18	JK 1610 00	Washer	1	1	
19	JB 1610 04	Brake pedal spring	1	1	



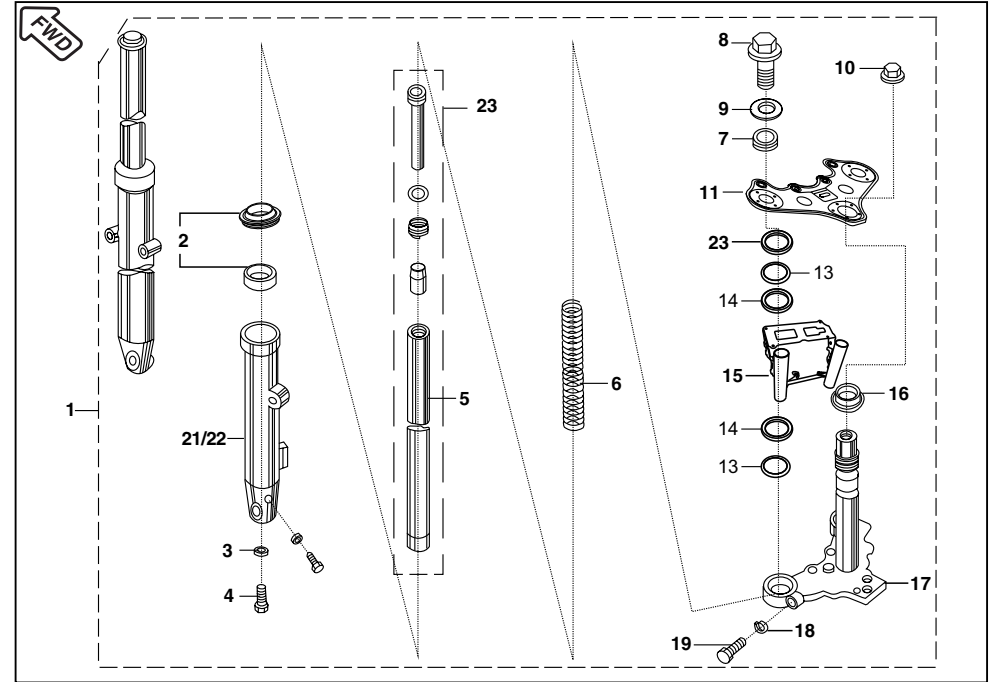
No.	Part No.	Description	34A	34B	Remarks
			ES	KS	
1	DS 1810 44	Handle	1	1	
2	39 1714 04	Flanged bolt	4	4	
3	JB 4014 00	Control switch LH	1	1	
4	JB 4014 01	Control switch RH	1	--	
	JB 4014 04	Control switch RH	--	1	
5	DJ 1910 53	Holder Assly. LH	1	-	
	DX 1910 08	Lever Assembly LH	-	1	
6	DX 1910 09	Holder Assly. RH	1	1	
7	DJ 1910 55	Lever grip Left	1	--	
	DL 1910 13	Lever grip Left	--	1	
9	DD 1911 42	Lever Grip - Right	1	1	
8	29 2011 17	Front Brake Switch	1	1	
10	DS 1810 08	Damper handle upper	2	2	
11	DS 1810 09	Damper handle lower	2	2	
12	DS 1810 10	Washer handle lower	2	2	
13	39 0422 15	Nylock Nut	2	2	
14	DS 1910 15	Grip LH	1	1	
15	DS 1910 16	Grip RH	1	1	



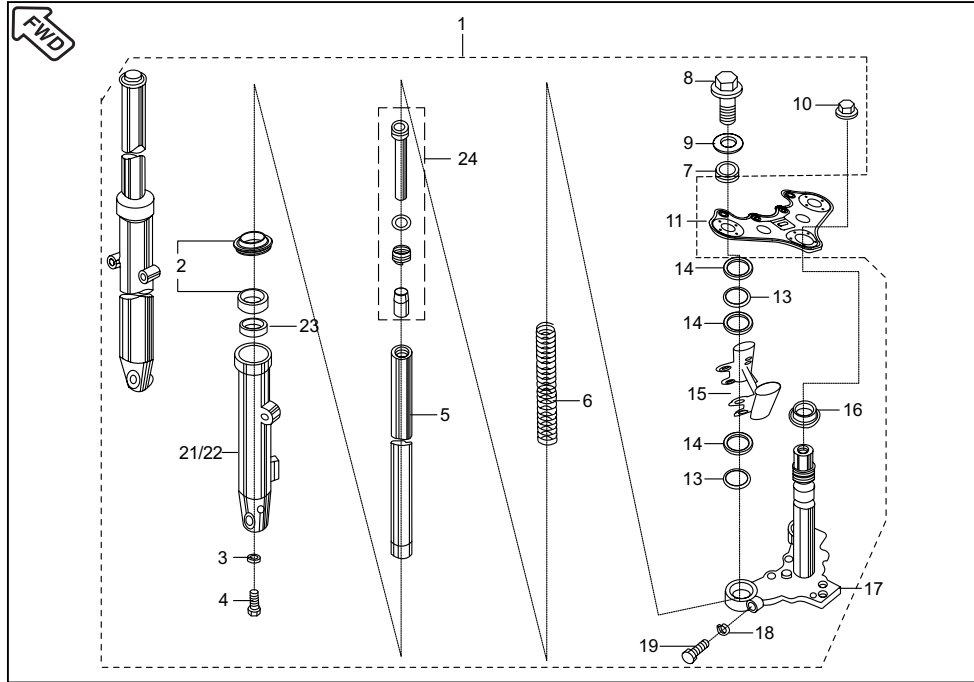
No.	Part No.	Description	34A	34B	Remarks
			ES	KS	
16	DS 1910 52	Boot for lever LH	1	1	
17	DH 1810 22	Handle bar weight	2	2	
18	39 2427 04	Hex. soc. head cap screw	2	2	
19	JB 4014 05	Clutch Switch	1	1	
20	DJ 2210 03	Mirror assly. LH	1	1	
21	DJ 2210 04	Mirror assly. RH	1	1	
22	30 1910 48	Band	2	2	
23	JB 4014 02	Switch assly. ignition	1	1	
24	39 1943 04	Flange bolt	2	2	
25	JB 1510 03	Holder Fork Upper	1	1	
26	DS 1810 07	Washer handle Upper	2	2	
27	DS 1910 18	Boot For Lever RH	1	1	
28	DS 1810 06	Holder Up	2	2	
29	DS 1810 19	Holder lower	2	2	



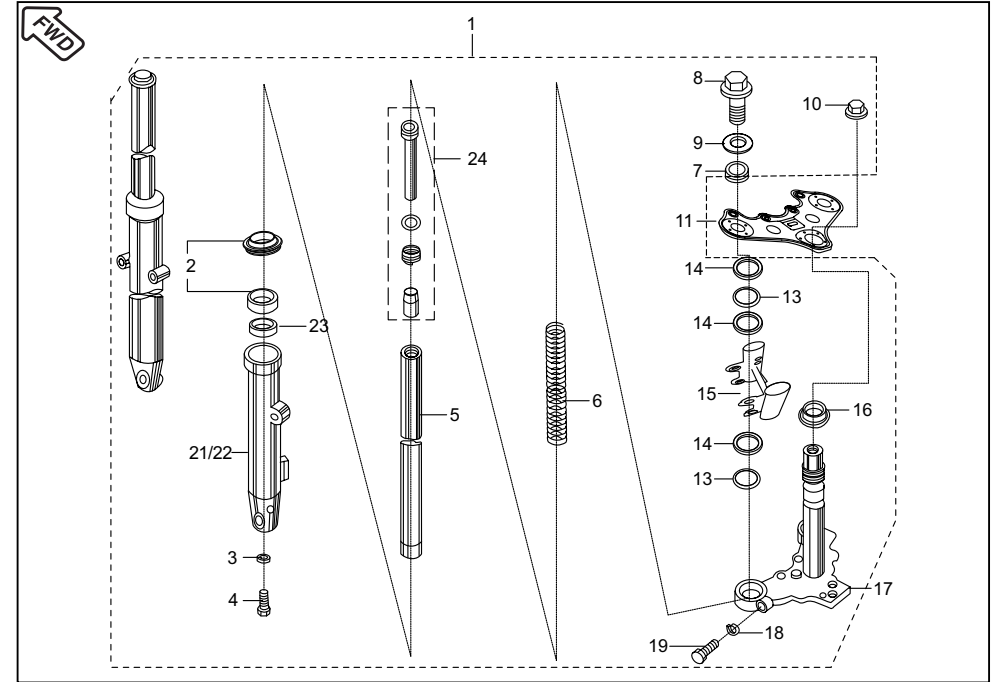
No.	Part No.	Description	35A	35B	Remarks
			ES	KS	
1	JB 1510 00	Fork front	1	1	Common for Endurance & Gabriel
2	36 DZ00 20	Front fork seal kit	1	1	-----"do"-----
3	30 1810 26	Gasket	2	2	-----"do"-----
4	30 1810 25	Bolt	2	2	-----"do"-----
5	JA 1510 13	Fork Pipe Spinning	2	2	Endurance
	JB 1510 25	Fork Pipe Spinning	2	2	Gabriel
6	DJ 1811 04	Spring front fork	2	2	-----"do"-----
7	DH 1810 09	Grommet Top	2	2	-----"do"-----
8	DS 1810 12	Bolt fork	2	2	-----"do"-----
9	DS 1810 18	Washer	2	2	-----"do"-----
10	DS 1810 15	Cap Nut Fork	1	1	-----"do"-----
11	JB 1510 03	Holder fork upper	1	1	-----"do"-----
12	DG 1810 08	Socket Bolt	2	2	N.I. -----"do"-----
13	DJ 1810 85	Cushion Rubber	2	2	-----"do"-----
14	DJ 1810 52	Cover Trail B	4	4	-----"do"-----
15	JB 1510 01	Lamp Shade asly.	1	1	N.I. -----"do"-----



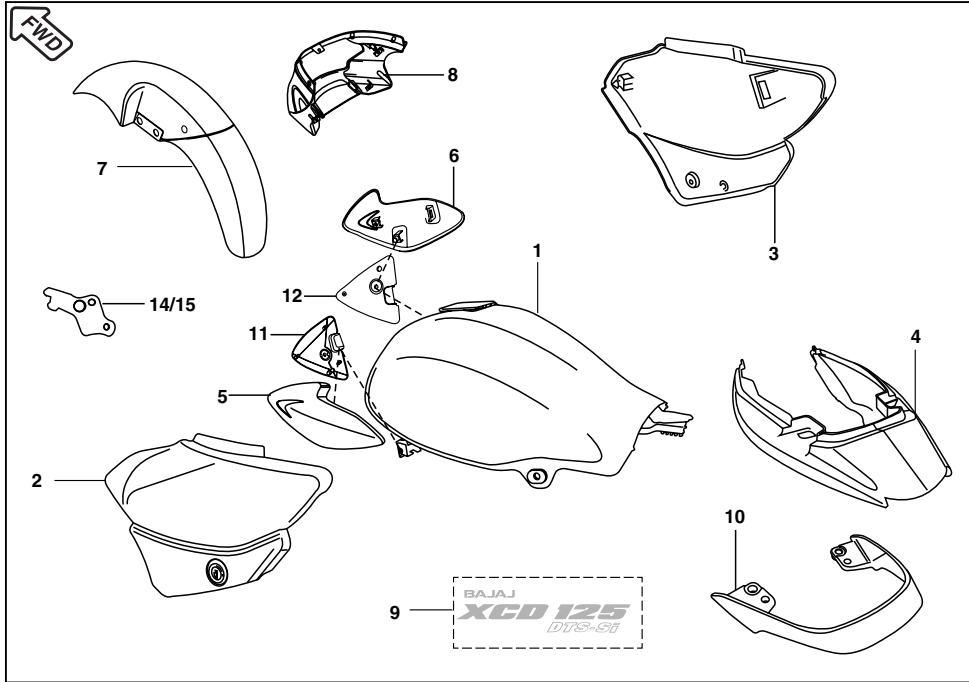
No.	Part No.	Description	35A	35B	Remarks
			ES	KS	
16	DH 1810 23	Bearing cone	1	1	-----"do"-----
17	JA 1510 03	Holder fork under	1	1	-----"do"-----
18	39 0789 12	Spring washer	2	2	-----"do"-----
19	39 1714 04	Bolt	2	2	-----"do"-----
20	DS 1810 17	Nylon spacer	2	2	-----"do"-----
21	JB 1510 05	Outer Tube LH	1	1	For Endurance
	JB 1510 23	Outer Tube LH	1	1	For Gabriel
22	JB 1510 06	Outer Tube RH	1	1	For Endurance
	JB 1510 24	Outer Tube RH	1	1	For Gabriel
23	JB 1510 32	Cylinder Complete - Fork	1	1	



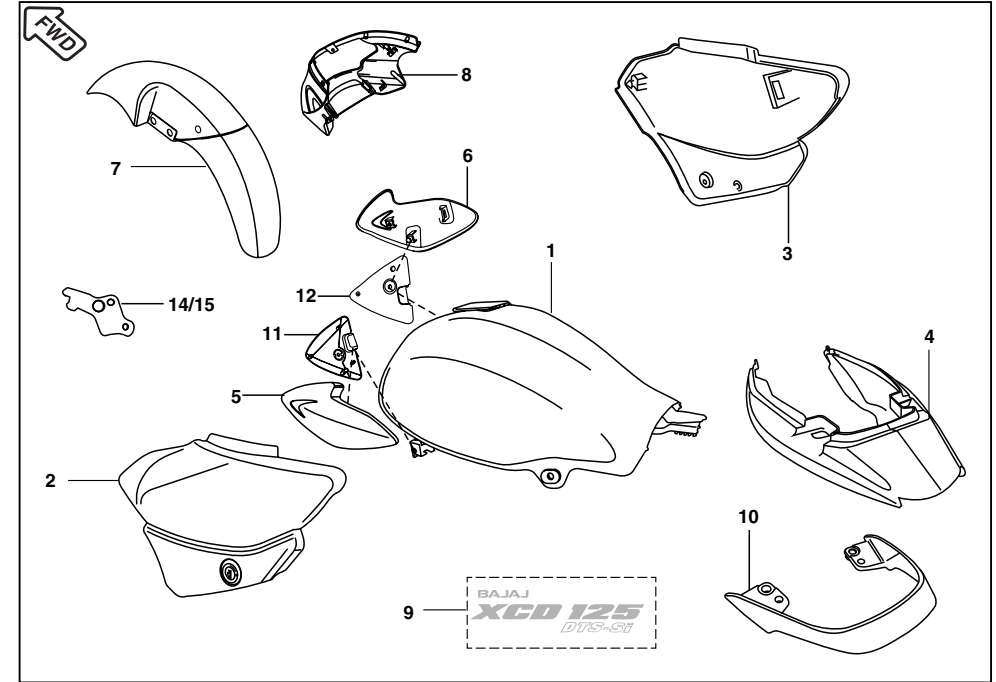
No.	Part No.	Description	35A	35B	Remarks
			ES	KS	
1	JW 1510 02	Fork front (Drum)	--	1	
	JW 1510 03	Front Fork (Disc)	1	--	
2	36 DZ00 20	Front fork seal kit	1	1	
3	30 1810 26	Gasket	2	2	
4	30 1810 25	Bolt	2	2	
5	JA 1510 13	Fork Pipe Inner	2	2	
6	DJ 1811 04	Spring front fork	2	2	
7	DH 1810 09	Grommet Top	2	2	
8	DS 1810 12	Bolt fork	2	2	
9	DS 1810 18	Washer	2	2	
10	DS 1810 15	Cap Nut Fork	1	1	
11	JW 1510 01	Holder fork upper	1	1	
12	DG 1810 08	Socket Bolt	2	2	
13	DJ 1810 85	Cushion Rubber	2	2	
14	DJ 1810 52	Cover Trail B	4	4	
15	JW 1510 08	Lamp Shade assly	1	1	



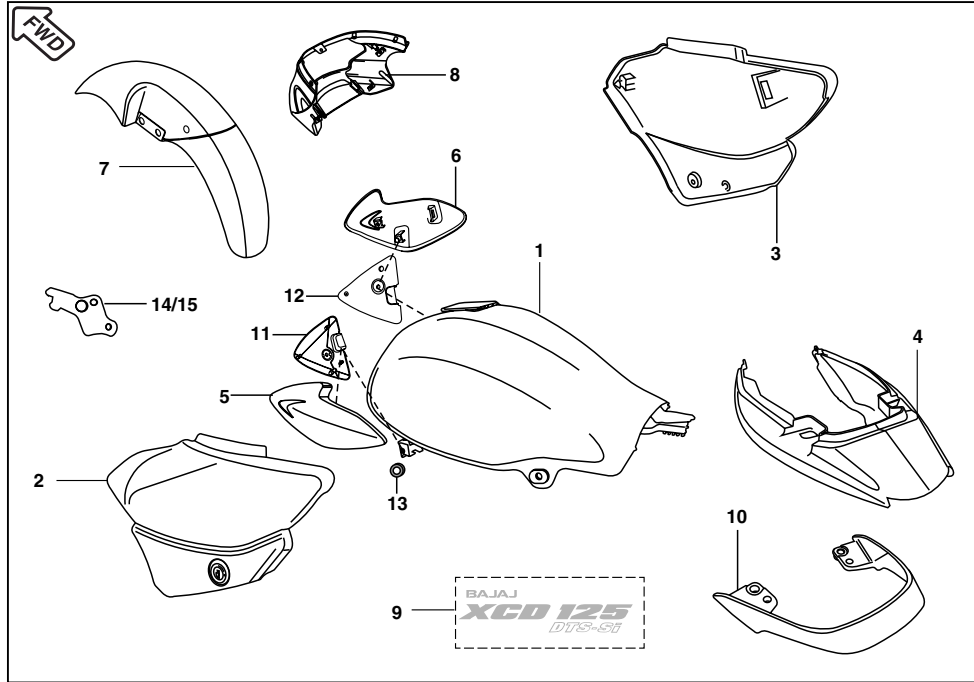
No.	Part No.	Description	35A	35B	Remarks
			ES	KS	
16	DH 1810 23	Bearing cone	1	1	
17	JA 1510 03	Holder fork under	1	1	
18	39 0789 12	Spring washer	2	2	
19	39 1714 04	Bolt	2	2	
20	DS 1810 17	Nylon spacer	2	2	
21	JW 1510 05	Outer Tube LH (Drum)	--	1	
22	JW 1510 21	Outer Tube LH (Disc)	1	--	
	JW 1510 07	Outer Tube RH (Drum)	--	1	
	JW 1510 22	Outer Tube RH (Disc)	1	--	
23	JK 1210 07	Anti Friction Bush	2	2	
24	JW 1510 23	Cylinder Complete Fork	2	2	



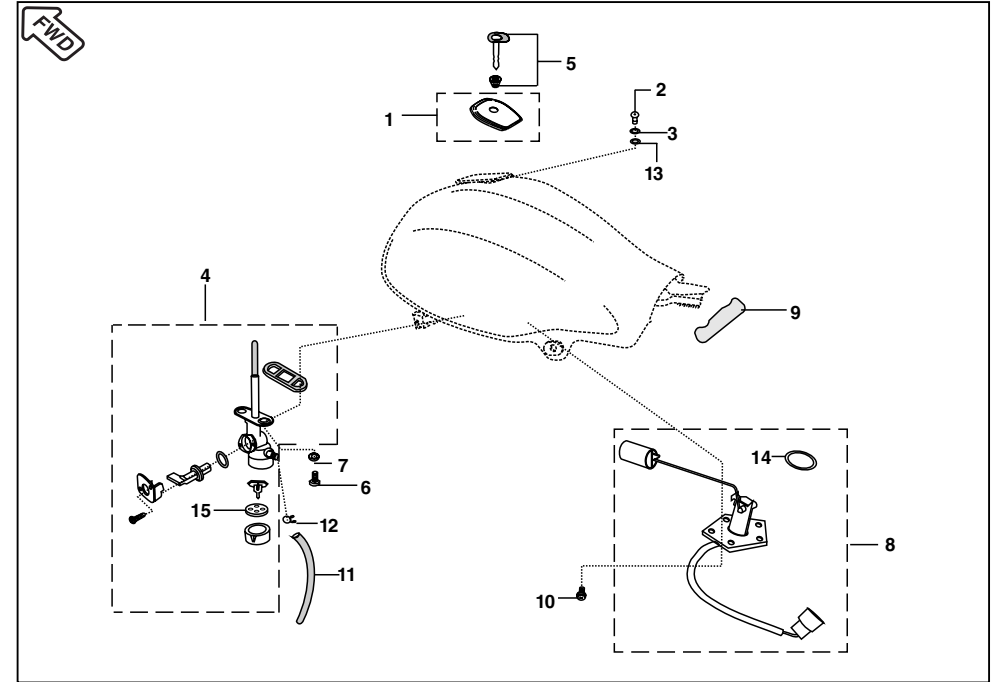
No.	Part No.	Description	36A	36B	Remarks
			ES	KS	
1	JB 7101 22	Petrol tank with decal	1	1	Jet black
	JB 7101 2V	Petrol tank with decal	1	1	Cocktail wine red
	JB 7101 3A	Petrol tank with decal	1	1	Long beach blue
	JB 7101 3Q	Petrol tank with decal	1	1	Silver
2	JB 7301 22	Side cover LH with decal	1	1	Jet black
	JB 7301 2V	Side cover LH with decal	1	1	Cocktail wine red
	JB 7301 3A	Side cover LH with decal	1	1	Long beach blue
	JB 7301 3Q	Side cover LH with decal	1	1	Silver
3	JB 7302 22	Side cover RH with decal	1	1	Jet black
	JB 7302 2V	Side cover RH with decal	1	1	Cocktail wine red
	JB 7302 3A	Side cover RH with decal	1	1	Long beach blue
	JB 7302 3Q	Side cover RH with decal	1	1	Silver
4	JB 7303 22	Seat cover with decal	1	1	Jet black
	JB 7303 2V	Seat cover with decal	1	1	Cocktail wine red
	JB 7303 3A	Seat cover with decal	1	1	Long beach blue
	JB 7303 3Q	Seat cover with decal	1	1	Silver
5	JB 7304 22	Spoiler cover LH with decal	1	1	Jet black
	JB 7304 2V	Spoiler cover LH with decal	1	1	Cocktail wine red
	JB 7304 3A	Spoiler cover LH with decal	1	1	Long beach blue
	JB 7304 3Q	Spoiler cover LH with decal	1	1	Silver



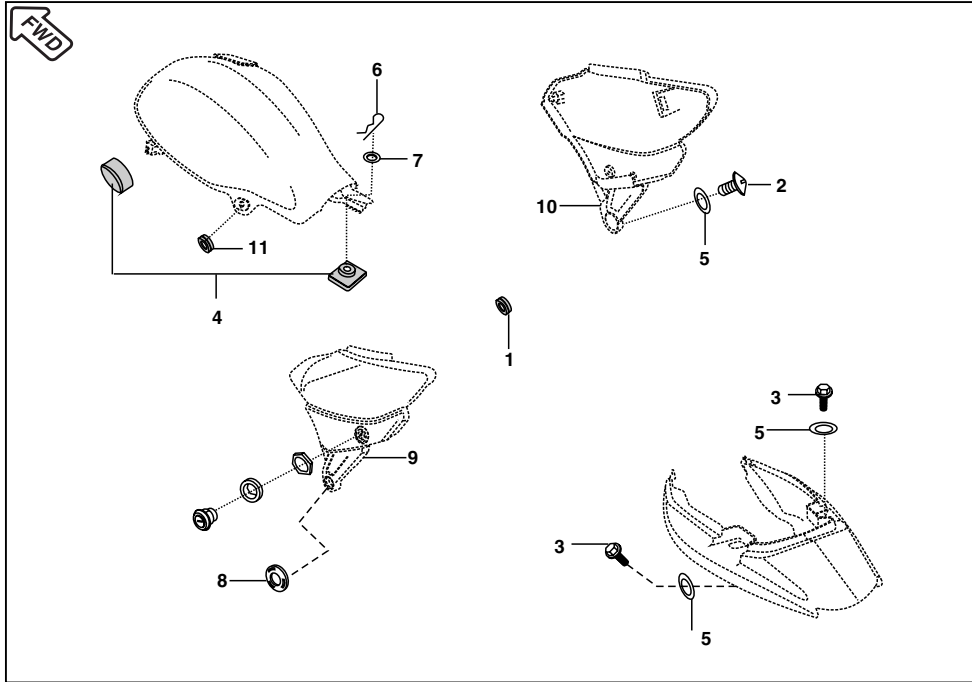
No.	Part No.	Description	36A	36B	Remarks
			ES	KS	
6	JB 7305 22	Spoiler cover RH with decal	1	1	Jet black
	JB 7305 2V	Spoiler cover RH with decal	1	1	Cocktail wine red
	JB 7305 3A	Spoiler cover RH with decal	1	1	Long beach blue
	JB 7305 3Q	Spoiler cover RH with decal	1	1	Silver
7	JB 7306 22	Front fender	1	1	Jet black
	JB 7308 22	Front fender (fixed fr. no. plate)	1	1	Jet black
	JB 7311 22	Front fender (W/o fr. no. plate)	1	1	Jet black
	JB 7306 2V	Front fender	1	1	Cocktail wine red
	JB 7308 2V	Front fender (fixed fr. no. plate)	1	1	Cocktail wine red
	JB 7311 2V	Front fender (W/o front no. plate)	1	1	Cocktail wine red
	JB 7306 3A	Front fender	1	1	Long beach blue
	JB 7308 3A	Front fender (fixed fr. no. plate)	1	1	Long beach blue
	JB 7311 3A	Front fender (W/o fr. no. plate)	1	1	Long beach blue
	JB 7306 3Q	Front fender	1	1	Silver
	JB 7308 3Q	Front fender (fixed fr. no. plate)	1	1	Silver
JB 7311 3Q	Front fender (W/o front no. plate)	1	1	Silver	
8	JB 1814 15	Front Fender	1	1	
	JB 7401 22	Fairing with decal	1	1	Jet black
	JB 7401 2V	Fairing with decal	1	1	Cocktail wine red
	JB 7401 3A	Fairing with decal	1	1	Long beach blue
JB 7401 3Q	Fairing with decal	1	1	Silver	



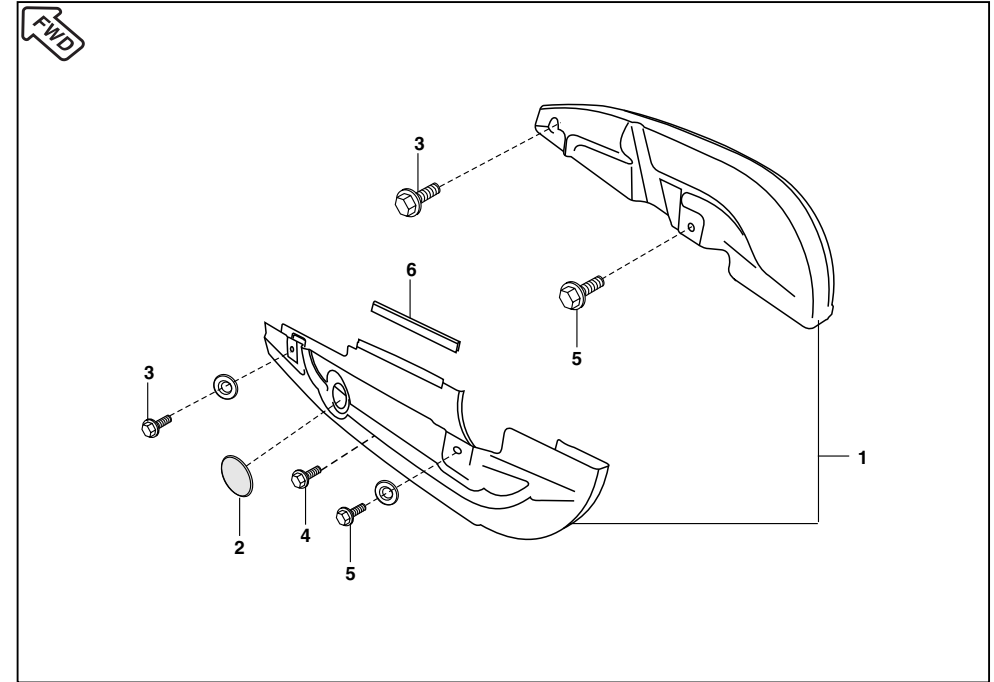
No.	Part No.	Description	36A	36B	Remarks
			ES	KS	
9	36 JA00 07	Decal set	1	1	Jet black
	36 JB00 01	Decal set	1	1	Cocktail wine red
	36 JB00 02	Decal set	1	1	Long beach blue
	36 JA00 08	Decal set	1	1	Silver
10	52 JB00 32	Grip frame	1	1	Jet black
	52 JB00 24	Grip frame	1	1	Cocktail wine red
	52 JB00 25	Grip frame	1	1	Long beach blue
	52 JB00 33	Grip frame	1	1	Silver
11	JB 1710 10	Spoiler mtg. bkt. LH	1	1	
12	JB 1710 11	Spoiler mtg. bkt. RH	1	1	
13	DS 1610 82	Rubber Grommet for spoiler	2	2	
14	JB 1710 18	Cover Spoiler LH	1	1	
15	JB 1710 19	Cover Spoiler RH	1	1	



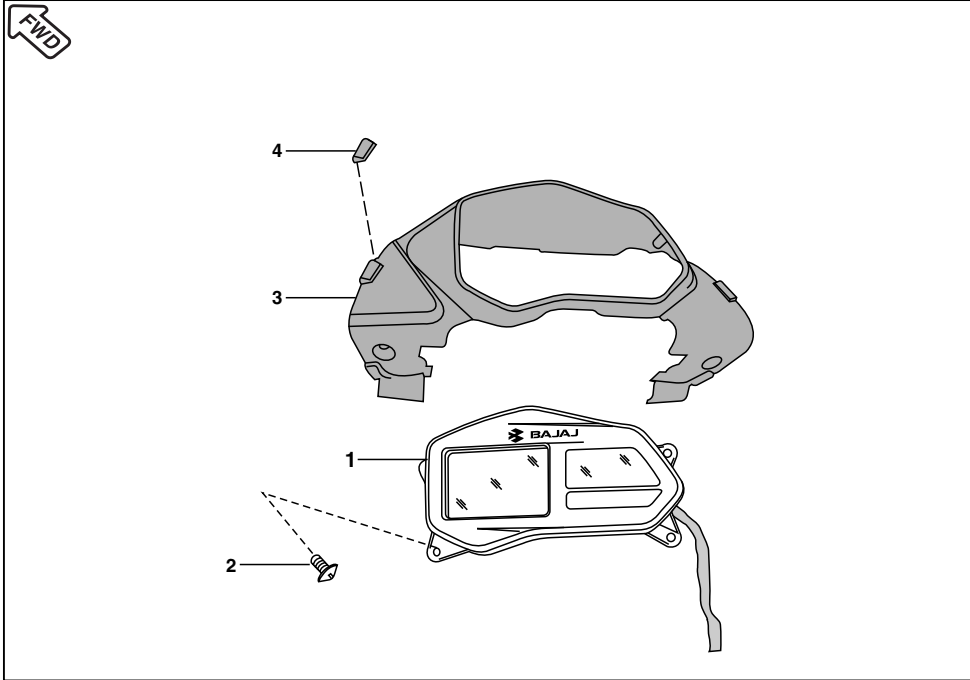
No.	Part No.	Description	37A	37B	Remarks
			ES	KS	
1	DS 1410 09	Cap Assly. Tank	1	1	
2	39 0761 01	Screw Pan Cross	2	2	
3	39 2179 24	Washer	2	2	
4	JB 1718 00	Fuel Tap Assly	1	1	
5	JB 2326 00	3 In 1 Lock set With Key	1	1	
6	DD 1410 22	Bolt flanged	2	2	
7	39 0740 11	Washer (Non-Metallic)	2	2	
8	JA 4026 00	Gauge Fuel	1	1	
9	JB 1710 20	Seat Tape	1	1	
10	30 1410 32	Bolt	4	4	
11	JA 1718 01	Tube fuel	1	1	
12	30 1410 15	Pipe clip	2	2	
13	30 1410 31	"O" Ring	2	2	
14	39 2758 21	"O" ring	1	1	
15	DZ 1410 75	4 hole washer	1	1	



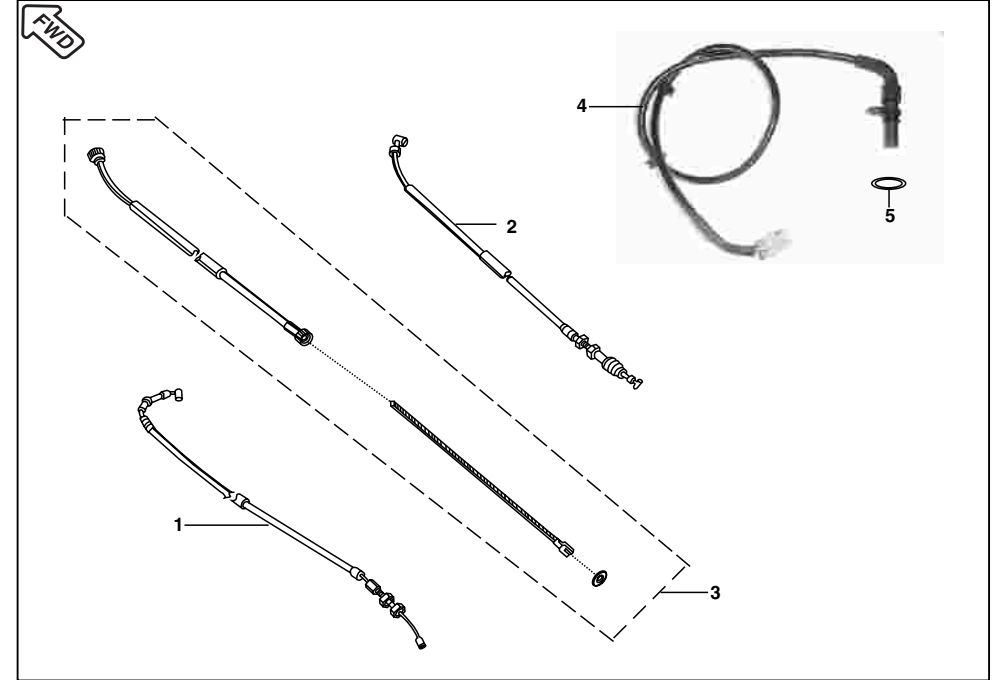
No.	Part No.	Description	38A	38B	Remarks
			ES	KS	
1	36 DS14 01	Grommet Kit for Side Cover	1	1	Ref. page no. 61
2	DG 1611 21	Screw	5	5	
3	39 1943 04	Flanged Bolt	2	2	
4	36 DS14 02	Damper Kit Petrol Tank	1	1	Ref. page no. 61
5	39 1789 24	Washer Nylon	3	3	
6	39 0983 08	Pin Snap	1	1	
7	39 1054 11	Plain Washer	1	1	
8	JB 1812 15	Rubber ring	1	1	
9	JB 1812 06	Cover LH side lower	1	1	
10	JB 1812 07	Cover RH side lower	1	1	
11	JC 1410 17	Rubber Grommet for Tank	2	2	



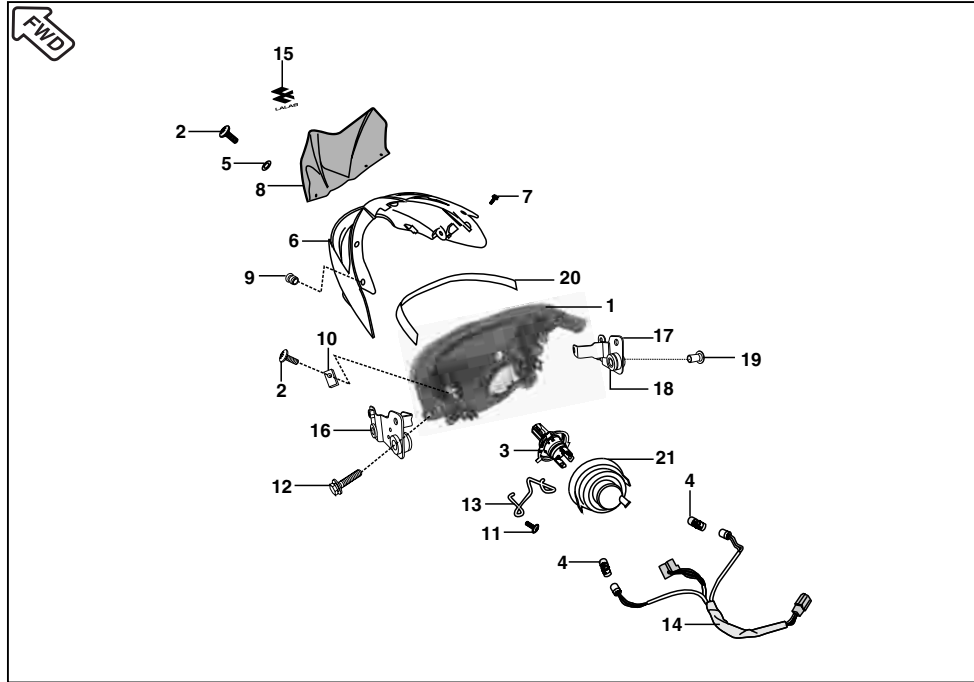
No.	Part No.	Description	39A	39B	Remarks
			ES	KS	
1	36 JA00 06	Case Chain Kit	1	1	Ref. page no. 61
2	JB 1812 18	Rubber Cap	1	1	
3	JB 1812 20	Flange bolt	2	2	
4	JB 1812 21	Flange bolt	1	1	
5	DH 1612 83	Bolt flange	2	2	
6	DF 1614 15	Trim for Chain Case	1	1	



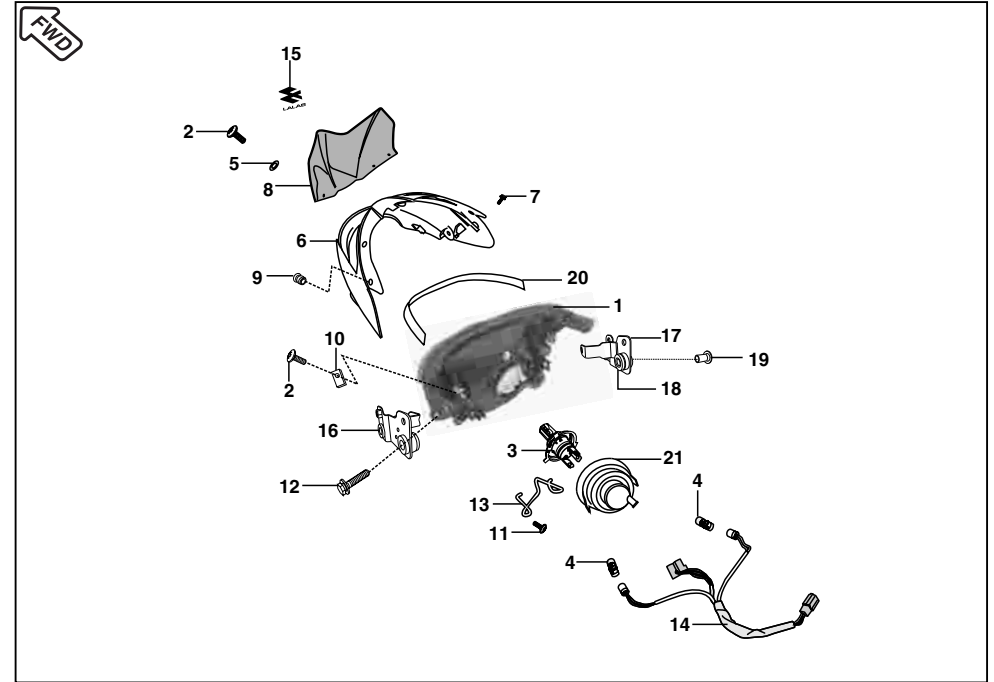
No.	Part No.	Description	40A	40B	Remarks
			ES	KS	
1	JB 4024 00	Meter assly.	1	1	
2	39 1778 02	Self tapping screw	4	4	
3	JB 1812 12	Speedo cap	1	1	
4	JB 1812 23	Beading Speedo Flap	4	4	



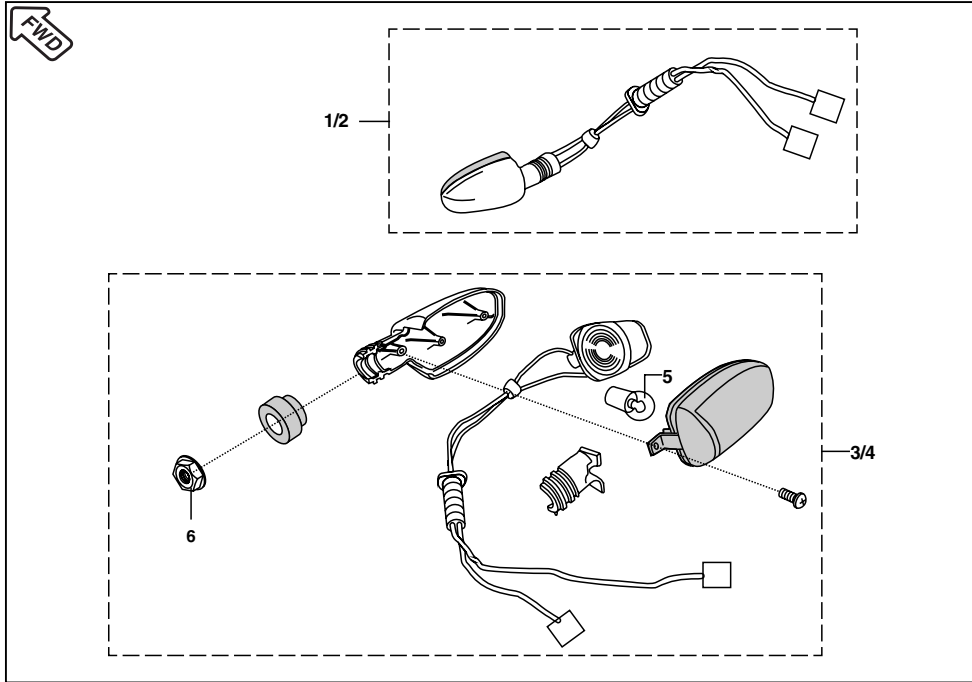
No.	Part No.	Description	41A	41B	Remarks
			ES	KS	
1	JB 1612 03	Cable accelerator	1	1	For Ucal
	JB 1612 00	Cable accelerator	1	1	For Kehin
2	JA 1612 01	Cable clutch	1	1	
3	JA 1612 03	Brake cable	1	1	
4	JB 1310 07	Speed sensor	1	1	
	JB 4024 01	Speed sensor	1	1	
5	JB 1310 23	Speed sensor "O" ring	1	1	



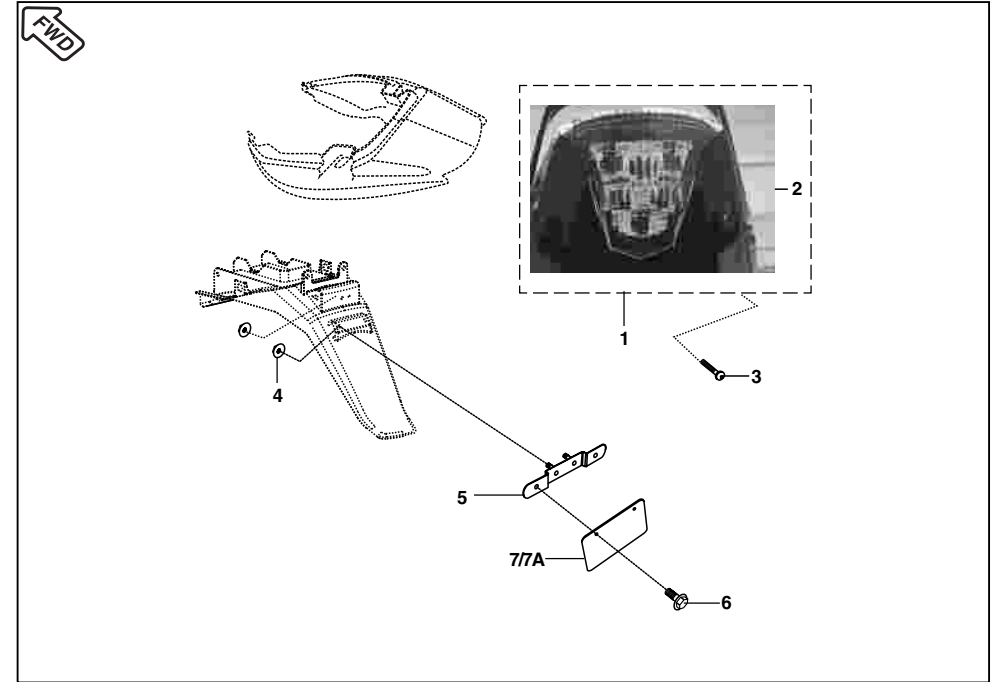
No.	Part No.	Description	42A	42B	Remarks
			ES	KS	
1	JB 4010 11	Head Lamp Without Bulb	1	1	
2	39 1778 02	Self Tapping Screw	8	8	
3	CL 2010 23	Lamp 12V 35/35W-HS1	1	1	
4	DJ 2010 72	Lamp 12V 5W	2	2	
5	39 2141 24	Washer	4	4	
6	JB 1812 10	Cowling	1	1	
7	DF 1810 98	Bolt	4	4	
8	JB 1812 11	Wind Shield	1	1	
9	DL 1810 10	Well Nut	4	4	
10	DJ 1810 65	Clip Nut	2	2	
11	39 0716 01	Screw	2	2	
12	39 1553 04	Flange Bolt	4	4	
13	DS 2010 36	Head Lamp Bulb Clip	1	1	
14	DS 2010 39	Head lamp Harness Branch	1	1	
15	JB 1812 13	'B' Monogram	1	1	On Wind shield



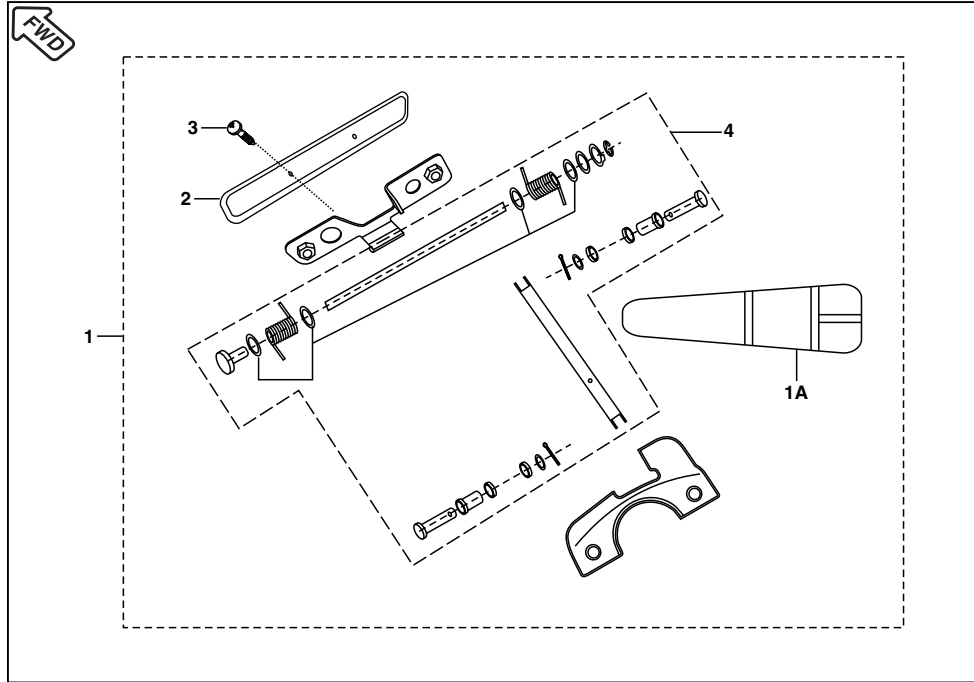
No.	Part No.	Description	42A	42B	Remarks
			ES	KS	
16	JB 1510 08	Head lamp mtg. bkt. LH	1	1	
17	JB 1510 09	Head lamp mtg. bkt. RH	1	1	
18	JB 1510 12	Grommet fairing mounting	4	4	
19	JB 1510 13	Sleeve fairing mounting	4	4	
20	JB 1812 14	Packing fairing	1	1	
21	JB 4010 20	Cap for head lamp bulb holder	1	1	



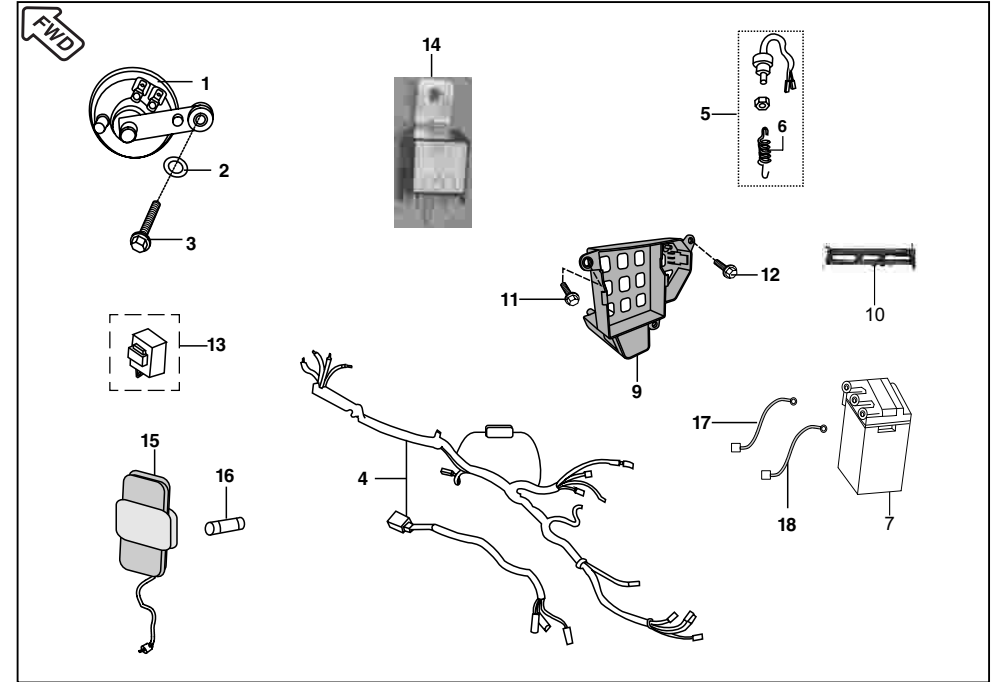
No.	Part No.	Description	43A	43B	Remarks
			ES	KS	
1	JB 4010 06	Blinker front LH	1	1	
2	JB 4010 07	Blinker front RH	1	1	
3	JB 4010 08	Blinker rear LH	1	1	alt. JB401007
4	JB 4010 09	Blinker rear RH	1	1	
5	GH 2010 12	Lamp 12V 10W	4	4	
6	39 1970 15	Hex nut / flange	2	2	



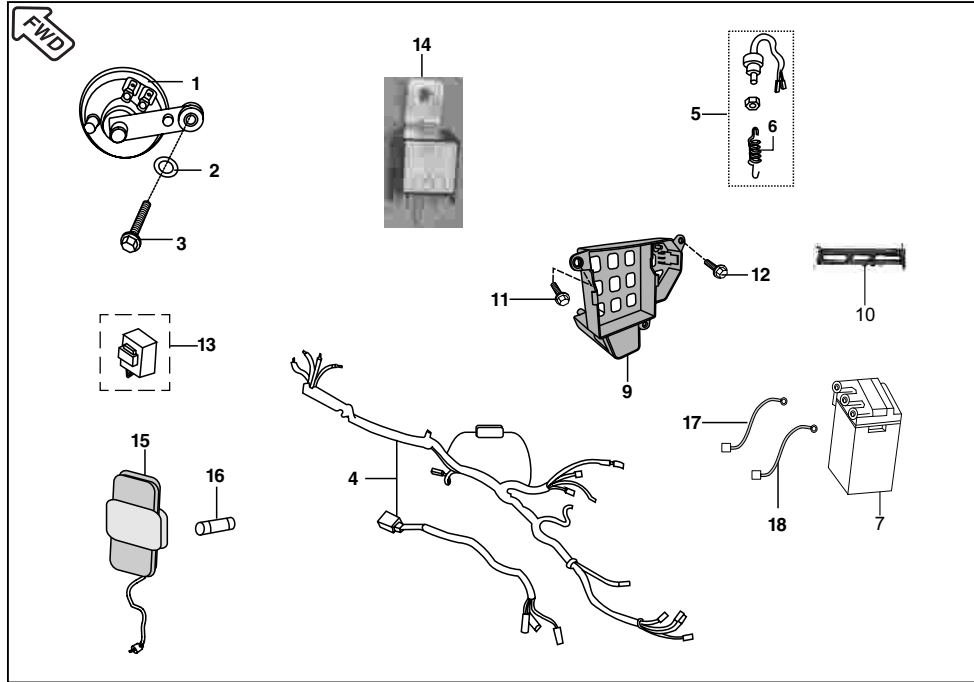
No.	Part No.	Description	44A	44B	Remarks
			ES	KS	
1	JB 4010 01	Tail light with Lamp	1	1	
2	DK 2010 24	Lamp Assly. for Rear No. Plate	1	1	
3	59 0200 01	Screw Tapping	4	4	
4	39 2124 15	Flange Nut	2	2	
5	DJ 1610 72	Bracket Rear No. Plate	1	1	
6	39 2476 04	Bolt flange	2	2	
7	DP 1611 45	Number plate Rear	1	1	
7A	DF 1612 52	Rear Number Palte	1	1	For Export N.I.



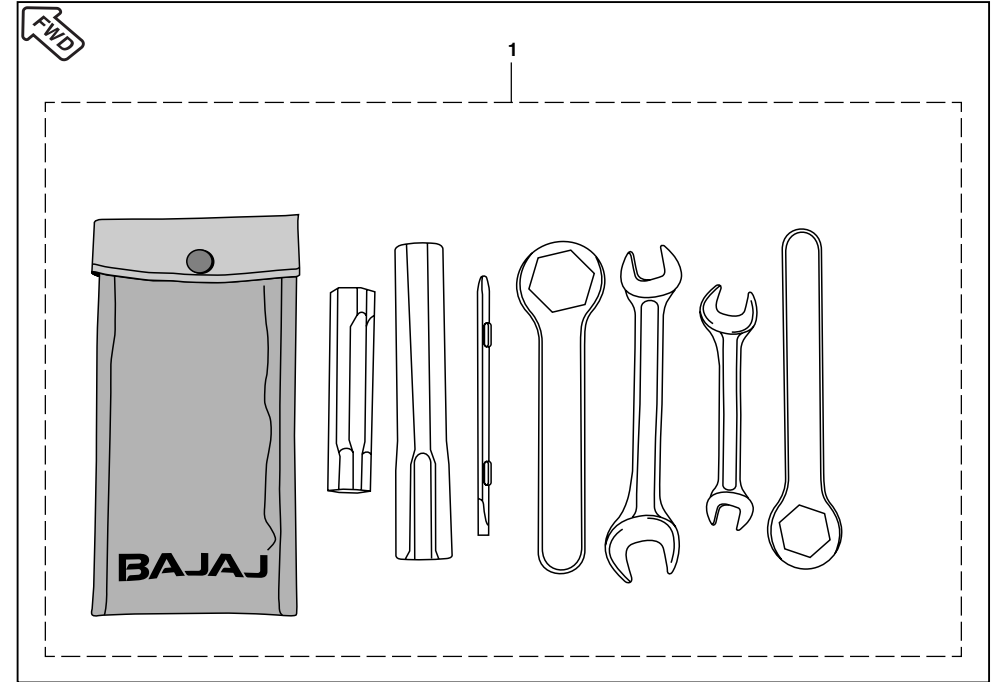
No.	Part No.	Description	45A	45B	Remarks
			ES	KS	
1	JB 2328 17	Number Plate Assly.	1	1	Without mtg. screw (Inclusive JB232812)
1A	JB 2328 27	Bkt For Fixed Number Plate	1	1	For Export
2	DP 1611 44	Number plate front	1	1	
2A	JB 2328 25	Front Number Plate	1	1	For Export
3	39 1783 01	Truss Screw (For Fr. No. Plate)	2	2	
4	JB 2328 12	Number plate kit	1	1	(Inclusive JB232826) N.I.
5	JB 2328 26	Front number plate sub. assly.	1	1	N.I.
6	JB 2328 28	Damper Front Number Plate	1	1	For Export N.I.
7	39 1944 04	Bolt	3	3	For Export N.I.
8	39 1783 01	Screw	2	2	For Export N.I.



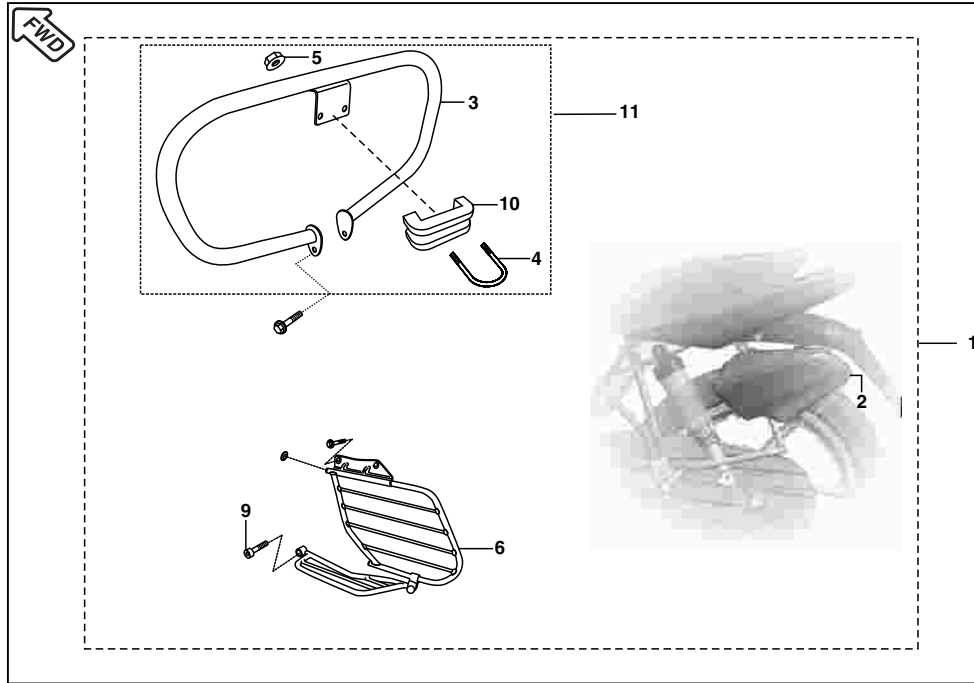
No.	Part No.	Description	46A	46B	Remarks
			ES	KS	
1	JB 4016 00	Horn with Stay	1	1	
2	39 1507 11	Plain Washer	1	1	
3	39 1689 04	Flange Bolt	1	1	
4	JB 4022 04	Wiring Harness	1	--	Separate capacitor and regulator can be till 1st week of Dec. 07
	JB 4022 05	Wiring Harness	1	--	Intrigal capacitor with regulator from 2nd week of Dec. 07
	JB 4022 01	Wiring Harness	--	1	
5	DS 2010 29	Rear Brake Switch assly.	1	1	
6	DS 1910 07	Spring Brake Switch	1	1	
7	DS 2010 81	Battery 5AH	1	--	
	DS 2010 82	Battery 5AH Dry Battery MF	1	--	For Export
	31 2010 27	Battery 2.5 AH	--	1	
8	JB 4010 13	Head lamp controller	1	1	N.I.
9	JA 4018 00	Case Battery	1	--	
	JA 4018 02	Case Battery	--	1	
10	JA 4018 01	Band Battery	1	--	
	JA 4018 03	Band Battery	--	1	



No.	Part No.	Description	46A	46B	Remarks
			ES	KS	
11	DS 1612 24	Stepped Bolt	2	2	
12	JK 1110 27	Stepped Bolt	1	1	
13	DS 2010 25	Assly DC flasher	1	1	
14	AP 2010 29	Starter Relay /	1	1	
15	30 2011 04	Fuse box Assly.	1	1	
16	30 2010 85	Fuse	4	4	
17	DS 2010 22	Cable assly. (Battery to St.Relay)	1	1	
18	JA 4022 02	Cable assly. (Battery to Earth)	1	1	
19	DK 2010 36	Capacitor	1	1	N.I.



No.	Part No.	Description	47A	47B	Remarks
			ES	KS	
1	JA 2310 00	Tool kit	1	1	



No.	Part No.	Description	48A	48B	Remarks
			ES	KS	
1	36 JA00 01	Saree / Leg Guard kit with hardware	1	1	
2	JB 2312 05	Utility Box Comp.	1	1	
3	JB 2312 01	Leg Guard	1	1	
4	JA 2312 01	Hook Leg Guard	2	2	
5	39 0798 15	Nut Hexagon with flange	2	2	
6	JB 2312 00	Saree Guard	1	1	
7	39 0589 15	Nut Hexagon weld	3	3	N.I.
8	39 2228 15	Nut domed cap	1	1	N.I.
9	39 2495 04	Bolt Hexagon	1	1	
10	JA 2312 02	Leg Guard Spacer	1	1	
11	JB 2312 02	Leg Guard Kit	1	1	

Sr. No.	Kit Part No.	Kit Description	Consisting of Following Parts		
			Part No.	Description	Qty./Kit
1	36JA0002	Valve kit	JA511200	Valve intake	1
			JA511201	Valve Exhaust	1
2	36JA0003	Valve Repair Kit	28101129	Seat Spring	2
			39201719	Seal Oil	2
			JA511202	Spring washer	2
			JA511203	Retainer valve spring	2
			DG101029	Collet	4
3	36JA0004	Chain Guide Kit	JA541013	Guide Chain Slack side	1
			JA521002	Guide Chain Tight side	1
4	JA521207	Set Piston Ring	JP521201	Ring Piston (Second)	1
			JP521202	Ring Piston (Oil)	1
			JP521203	Ring Piston (Piston)	1
5	36JA0010	Set Drive Driven	JA531010	Gear Primary Drive	1
			JA551401	Housing	1
6	36DU1007	Boss Kick Kit	30101233	Boss Kick	1
			30101234	Spring	1
			30101236	Ball Steel	1
			30101235	Pin	1
			39085517	E - Type Circlip	1
7	JA 5812 41	Needle jet kit	JA 5812 22	Needle jet	1
			JA 5812 26	Jet needle	1
			JA 5812 31	Jet holder	1
			DD1210 54	E ring	1
8	JA 5812 42	Air Screw Kit	JA581236	Screw - Air (Adjust)	1
			24121064	Spring - Screw Air	1
			24121062	"O" ring	1
			16121032	Washer	1
9	JA581243	Idling screw kit	JA581230	Adjuster	1
			CB121044	Sping	1
			24121062	"O" ring	1
			24121063	Washer	1
10	JA581244	Jet Kit	24121360	Pilot jet	1
			24121367	Main jet	1

Part No.	Figure No.	Page No.
39078912	18	53
39078912	18	55
39079415	21	48
39079708	3	37
39079815	5	72
39080708	13	49
39080808	6	49
39081715	8	10
39081715	12	10
39098308	6	60
39098717	4	7
39098717	4	8
39099206	2	9
39099311	5	18
39099906	12	12
39100006	2	5
39100006	6	11
39100006	11	12
39104011	11	35
39104119	3	14
39105411	7	60
39128321	8	2
39136420	3	47
39150711	2	69
39154011	10	49
39155304	14	17
39155304	12	64
39167121	20	15
39167304	14	22
39167404	3	26
39168904	3	69
39171404	2	50
39171404	19	53
39171404	19	55
39171519	4	12
39175904	17	13
39177304	8	22
39177802	2	62
39177802	2	64

Part No.	Figure No.	Page No.
39178301	3	68
39178301	8	68
39178924	5	60
39186420	5	6
39190204	4	24
39194304	13	26
39194304	5	36
39194304	9	43
39194304	2	45
39194304	24	51
39194304	3	60
39194404	7	68
39196404	14	11
39197015	9	30
39197015	6	66
39201719	7	3
39212415	4	67
39214124	5	64
39217924	3	59
39219019	7	12
39220804	15	14
39220804	9	16
39222815	8	72
39224020	17	48
39231004	6	35
39231204	7	30
39240817	12	18
39242001	15	36
39242704	18	51
39243704	6	27
39247604	6	67
39249211	7	23
39249211	9	23
39249504	9	72
39256220	2	12
39260011	3	17
39268220	2	47
39268820	1	39
39268820	1	41

Part No.	Figure No.	Page No.
39270411	7	10
39272315	4	30
39272612	7	32
39275404	10	23
39275821	14	59
52JA0023	1	25
52JA0029	12	11
52JB0024	10	58
52JB0025	10	58
52JB0032	10	58
52JB0033	10	58
59020001	3	67
59040017	8	30
59040038	2	1
59040038	11	11
59040038	16	13
59040038	17	15
59040038	2	16
59110008	2	6
59150014	1	6
59200036	3	11
59200036	3	12
59210019	15	44
59210023	14	12
AP201029	14	70
CB101114	2	23
CB121046	19	20
CB121061	3	19
CL201023	3	64
CS101128	9	4
DD101097	13	18
DD111011	10	26
DD111012	11	26
DD111048	9	26
DD121181	19	15
DD141022	6	59
DD161381	9	35
DD191142	9	50
DE151006	2	41

Part No.	Figure No.	Page No.
DE151008	4	41
DE151012	5	41
DE151015	11	43
DE151041	17	44
DE151046	4	45
DE151047	5	45
DE151048	3	45
DE191010	5	43
DE191011	4	43
DE191027	8	45
DE191028	14	44
DE191029	13	44
DE191030	10	43
DE191034	6	43
DE201016	12	43
DF161102	9	37
DF161252	7A	67
DF161413	2	34
DF161415	6	61
DF181098	7	64
DG101029	4	3
DG101339	11	10
DG101418	7	14
DG101418	3	16
DG111008	8	26
DG161121	2	60
DG161224	11	23
DG181008	12	52
DG181008	12	54
DH101011	7	4
DH101125	4	18
DH101163	8	27
DH101264	6	12
DH101509	10	10
DH101607	5	23
DH101781	3	27
DH121038	15	22
DH161121	4	37
DH161145	5	37

Part No.	Figure No.	Page No.
DH161194	3	34
DH161239	6	37
DH161240	8	37
DH161283	5	61
DH181009	7	52
DH181009	7	54
DH181014	3	31
DH181022	17	51
DH181023	16	53
DH181023	16	55
DJ101109	7	27
DJ151036	13	33
DJ151047	16	33
DJ151073	7	45
DJ151075	10	45
DJ151094	10	41
DJ161069	11	36
DJ161072	5	67
DJ161280	11	45
DJ181052	14	52
DJ181052	14	54
DJ181065	12	26
DJ181065	10	64
DJ181085	13	52
DJ181085	13	54
DJ181104	6	52
DJ181104	6	54
DJ181115	5	31
DJ191006	3	43
DJ191028	7	43
DJ191029	8	43
DJ191053	5	50
DJ191055	7	50
DJ191023	1	43
DJ201072	4	64
DJ201108	18	44
DJ221003	20	51
DJ221004	21	51
DK101135	7	9

Part No.	Figure No.	Page No.
DK181041	16	36
DK181042	17	36
DK201024	2	67
DK201036	14	26
DK201036	19	70
DL181010	9	64
DL191013	7	50
DP101165	4	5
DP101269	6	14
DP101340	3	9
DP121025	11	22
DP151018	2	18
DP161144	2	68
DP161145	7	67
DP171006	17	33
DS101117	8	18
DS101154	6	6
DS101215	8	14
DS101215	4	16
DS101290	6	7
DS101290	6	8
DS121126	10	22
DS141009	1	59
DS151048	3	38
DS151049	4	38
DS151052	5	38
DS151053	6	38
DS151056	18	40
DS151057	9	47
DS151089	13	39
DS151090	10	47
DS151091	10	39
DS151092	9	39
DS151094	4	39
DS151094	13	47
DS151095	8	39
DS161082	13	58
DS161125	1	36
DS161224	19	33

Part No.	Figure No.	Page No.
DS161224	11	70
DS181006	28	51
DS181007	26	51
DS181008	10	50
DS181009	11	50
DS181010	12	50
DS181012	8	52
DS181012	8	54
DS181015	10	52
DS181015	10	54
DS181017	20	53
DS181017	20	55
DS181018	2	31
DS181018	9	52
DS181018	9	54
DS181019	29	51
DS181044	1	50
DS191007	6	69
DS191015	14	50
DS191016	15	50
DS191018	27	51
DS191035	16	49
DS191052	16	51
DS201022	17	70
DS201025	13	70
DS201029	5	69
DS201036	13	64
DS201039	14	64
DS201081	7	69
DS201082	7	69
DU101057	6	2
DU101085	7	11
DX151008	16	48
DX151009	18	48
DX151010	20	48
DX151013	27	48
DX151014	14	33
DX151015	24	48
DX151016	22	48

Part No.	Figure No.	Page No.
DX151018	28	48
DX161021	3	35
DX161024	4	35
DX161056	5	35
DX191008	5	50
DX191009	6	50
DZ141075	15	59
GH201012	5	66
JA113010	1	34
JA113011	4	34
JA113200	1	37
JA113201	2	37
JA113202	7	37
JA113400	1	30
JA113401	2	30
JA113402	3	30
JA113403	5	30
JA113404	6	30
JA121004	8	49
JA121005	9	49
JA131202	26	48
JA131205	6	47
JA151003	17	53
JA151003	17	55
JA151013	5	52
JA151013	5	54
JA161000	1	49
JA161003	2	49
JA161201	2	63
JA161203	3	63
JA171801	11	59
JA181420	18	33
JA231000	1	71
JA231201	4	72
JA231202	10	72
JA233000	2	14
JA351000	1	26
JA351012	2	26
JA351200	7	26

Part No.	Figure No.	Page No.
JA351203	5	26
JA351204	6	26
JA351400	7	5
JA351600	14	28
JA351600	15	29
JA351601	2	28
JA351602	1	28
JA351602	17	29
JA351603	4	28
JA351604	3	28
JA351605	5	28
JA351606	6	28
JA351607	7	28
JA351608	8	28
JA351609	9	28
JA351610	11	28
JA351611	10	28
JA351612	12	28
JA351613	13	28
JA351614	1	29
JA351615	2	29
JA351616	3	29
JA351617	4	29
JA351618	5	29
JA351619	6	29
JA351620	7	29
JA351621	8	29
JA351622	9	29
JA351623	10	29
JA351624	11	29
JA351625	12	29
JA351626	13	29
JA351627	14	29
JA401800	9	69
JA401801	10	69
JA401802	9	69
JA401803	10	69
JA402202	18	70
JA402600	8	59

Part No.	Figure No.	Page No.
JA501000	1	11
JA511006	4	2
JA511007	5	1
JA511008	4	1
JA511008	2	2
JA511009	1	1
JA511011	6	1
JA511011	12	22
JA511012	3	1
JA511028	3	2
JA511029	7	1
JA511029	13	22
JA511030	1	2
JA511204	3	3
JA511210	1	3
JA511211	2	3
JA511212	1	4
JA511216	2	4
JA511217	3	4
JA511218	4	4
JA521001	1	5
JA521014	5	5
JA521015	6	5
JA521017	8	4
JA521018	10	4
JA521019	11	4
JA521019	15	28
JA521019	16	29
JA521207	3	5
JA531000	4	6
JA531007	17	17
JA531011	5	4
JA531012	8	6
JA531015	9	6
JA541005	8	12
JA541005	11	16
JA541010	5	11
JA541011	4	11
JA541012	13	11

Part No.	Figure No.	Page No.
JA541014	12	11
JA541015	9	11
JA541016	2	25
JA541018	4	25
JA541019	13	12
JA541019	22	15
JA541020	18	13
JA541021	15	12
JA541027	19	13
JA541028	16	26
JA541034	10	12
JA541044	6	16
JA541045	2	11
JA541046	1	12
JA541205	5	16
JA541209	5	14
JA541211	11	14
JA541212	16	15
JA541214	7	16
JA541215	13	14
JA541216	14	14
JA541219	21	15
JA541220	8	16
JA541221	10	16
JA541222	18	15
JA541225	12	14
JA541233	12	16
JA541235	10	11
JA541236	9	14
JA541237	10	14
JA541240	1	14
JA541241	1	16
JA551002	3	7
JA551002	3	8
JA551004	8	7
JA551004	8	8
JA551006	9	7
JA551006	9	8
JA551007	13	7

Part No.	Figure No.	Page No.
JA551007	13	8
JA551008	15	7
JA551008	15	8
JA551200	2	7
JA551200	2	8
JA551201	5	7
JA551201	5	8
JA551202	7	7
JA551202	7	8
JA551203	10	7
JA551203	10	8
JA551204	11	7
JA551204	11	8
JA551205	12	7
JA551205	12	8
JA551206	14	7
JA551206	14	8
JA551400	1	17
JA551406	2	17
JA551408	13	17
JA551413	4	17
JA551414	5	17
JA551415	11	17
JA551416	15	17
JA551417	8	17
JA551418	7	17
JA551419	6	17
JA551420	16	17
JA551421	9	17
JA551422	10	17
JA551423	12	17
JA561000	1	9
JA561002	8	9
JA561003	9	9
JA561004	4	9
JA561005	5	9
JA561006	6	9
JA561200	1	10
JA561205	2	10

Part No.	Figure No.	Page No.
JA561206	3	10
JA561207	4	10
JA561208	5	10
JA561209	6	10
JA561400	9	10
JA581005	3	22
JA581006	4	22
JA581009	5	22
JA581010	6	22
JA581011	7	22
JA581012	9	22
JA581015	2	22
JA581016	2	22
JA581017	1	22
JA581208	9	2
JA581209	1	19
JA581217	15	22
JA581218	10	2
JA581220	18	20
JA581221	14	19
JA581223	2	19
JA581232	2A	19
JA581232	17	20
JA581233	10	19
JA581238	7	19
JA581238	11	21
JA581238	19	21
JA581239	8	19
JA581240	9	19
JA581240	6	21
JA581241	5	19
JA581242	11	19
JA581243	12	19
JA581244	13	19
JA581245	4	19
JA581268	12	21
JA581276	14	21
JA581277	17	21
JA581278	16	21

Part No.	Figure No.	Page No.
JA581291	2	21
JA581298	18	21
JA581301	15	21
JA581307	4	21
JA581309	9	21
JA581310	3	21
JA581311	7	21
JA581312	8	21
JA581313	13	21
JA581403	5	2
JA581405	5	2
JA581406	7	2
JA581407	11	2
JA591036	4	23
JA591037	8	23
JA591040	3	23
JA591042	1	23
JA591043	1	23
JA591046	1	23
JA621001	7	18
JA621002	9	18
JA621003	10	18
JA621006	11	18
JA621201	1	18
JA621402	5	27
JA621403	1	27
JA621406	10	27
JA621410	4	27
JA621411	9	27
JA621412	2	27
JB111031	1	31
JB111043	1	31
JB111048	1	31
JB113001	1	35
JB113003	2	35
JB113004	6	23
JB113006	6	35
JB113200	1	37
JB122003	8	32

Part No.	Figure No.	Page No.
JB122004	11	33
JB122005	4	32
JB122007	5	32
JB122008	12	33
JB122009	6	32
JB122010	3	32
JB122011	2	32
JB122013	4	32
JB122014	4	32
JB122015	4	32
JB122016	1	32
JB131007	4	63
JB131008	3	39
JB131016	1	38
JB131017	7	39
JB131017	12	42
JB131018	5	39
JB131018	7	41
JB131019	6	39
JB131019	13	42
JB131019	23	48
JB131020	19	40
JB131022	17	40
JB131023	5	63
JB131222	2	38
JB131223	7	47
JB131224	12	47
JB131225	25	48
JB131601	12	39
JB131605	11	47
JB141001	1	47
JB151000	1	52
JB151001	15	52
JB151003	25	51
JB151003	11	52
JB151005	21	53
JB151006	22	53
JB151008	16	65
JB151009	17	65

Part No.	Figure No.	Page No.
JB151012	18	65
JB151013	19	65
JB151023	21	53
JB151024	22	53
JB151025	5	52
JB151032	23	53
JB161002	14	49
JB161003	15	49
JB161004	19	49
JB161005	3	49
JB161200	1	63
JB161203	1	63
JB171010	11	58
JB171011	12	58
JB171018	14	58
JB171019	15	58
JB171020	9	59
JB171800	4	59
JB181206	9	60
JB181207	10	60
JB181210	6	64
JB181211	8	64
JB181212	3	62
JB181213	15	64
JB181214	20	65
JB181215	8	60
JB181218	2	61
JB181220	3	61
JB181221	4	61
JB181223	4	62
JB181401	2	36
JB181403	13	36
JB181404	4	36
JB181406	7	36
JB181407	8	36
JB181408	9	36
JB181409	10	36
JB181412	3	36
JB181414	2	36

