



NOTICE

The description and illustrations in this booklet are not to be taken as binding on the manufacturers. The essential features of the type described and illustrated herein remains unaltered, TVS MOTOR COMPANY LIMITED, reserves the right to carry out any moment, without being obliged to bring this booklet up-date modifications, on the vehicle, parts or accessories, as may be convenient and necessary.

FOREWORD

We have pleasure in presenting the spare parts catalogue for TVS XL 100.

The catalogue has been specifically designed to assist you in selecting the correct parts to maintain the vehicle in the best possible condition.

TVS MOTOR COMPANY, Genuine Parts have been subjected to stringent standards of quality control to ensure long life of the vehicle. It is therefore necessary that only TVS Genuine Parts are used. In continuous efforts to improve the performance and efficiency of the vehicle, design specifications, diagram / illustrations and part numbers can change without notice. Consequently, the description in this spare parts catalogue cannot therefore be final and binding on us.

While ordering spare parts ensure that correct part numbers, parts description and quantity are clearly mentioned.

Please note that the drawings and the illustrations are for ready reference of spare part numbers and description only. It is not designed to be used as an assembly or servicing reference manual. For servicing please use "TVS XL 100 SERVICE MANUAL".

This parts catalogue is exclusively for "TVS MOTOR COMPANY'S" Authorised Outlets.

In case of any assistance, please contact us.

TVS MOTOR COMPANY LIMITED
Parts Business

CYLINDER HEAD ASSEMBLY

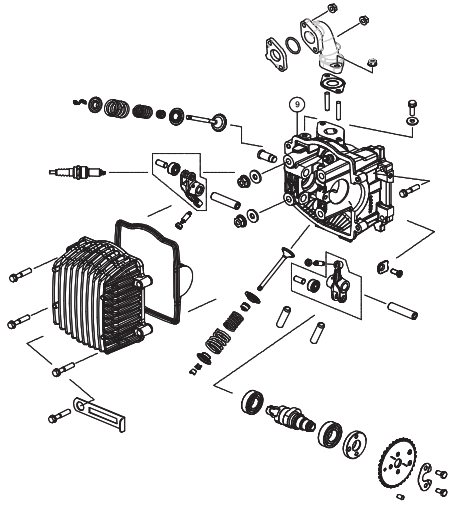


FIG.No.01
PAGE No. 05

CYLINDER BLOCK & CRANKSHAFT ASSY.

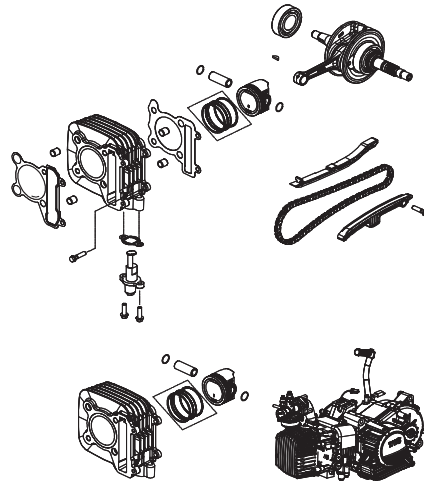


FIG.No.02
PAGE No. 07

DRUM CLUTCH ASSEMBLY

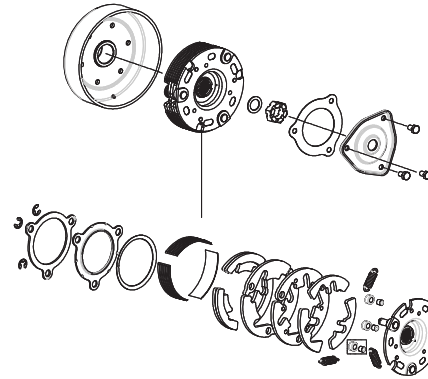


FIG.No.03
PAGE No. 08

CRANKCASE LH ASSEMBLY

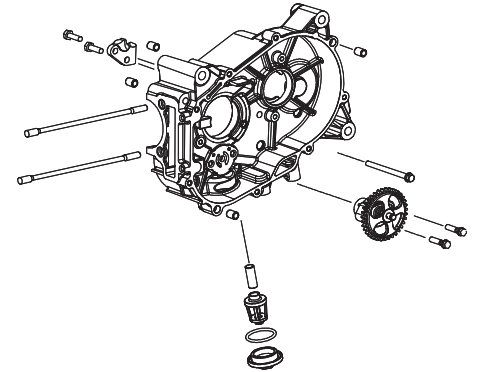


FIG.No.04
PAGE No. 09

CRANKCASE RH ASSEMBLY

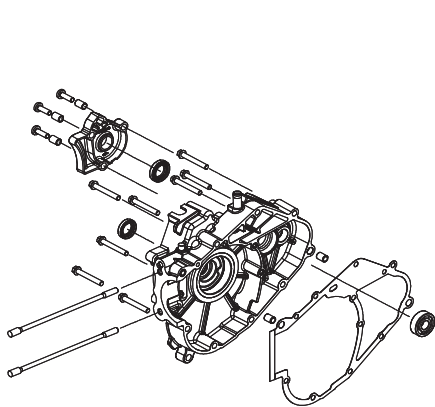


FIG.No.05
PAGE No. 10

MAGNETO ASSEMBLY

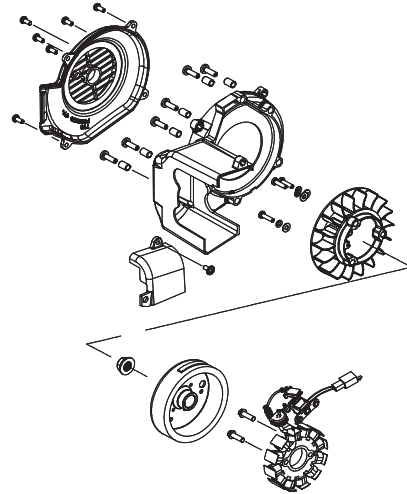


FIG.No.06
PAGE No. 11

COVER CLUTCH ASSEMBLY

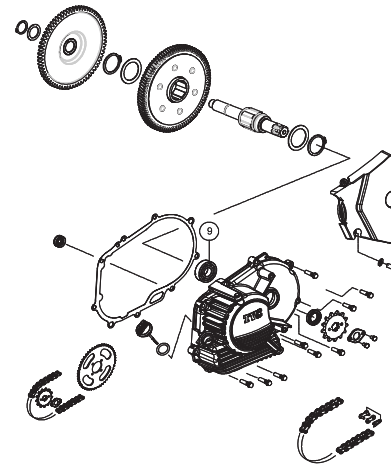


FIG.No. 07
PAGE No. 12

KICK STARTER ASSEMBLY

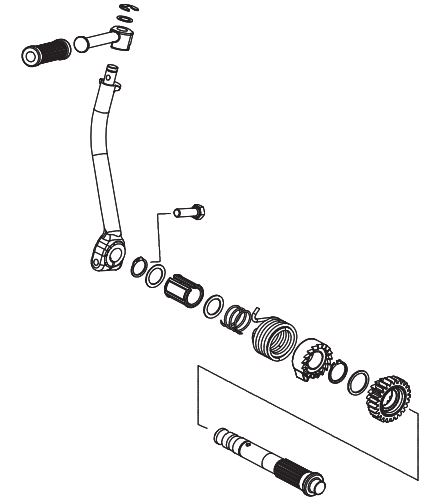


FIG.No.08
PAGE No. 13

CARBURETTOR ASSEMBLY

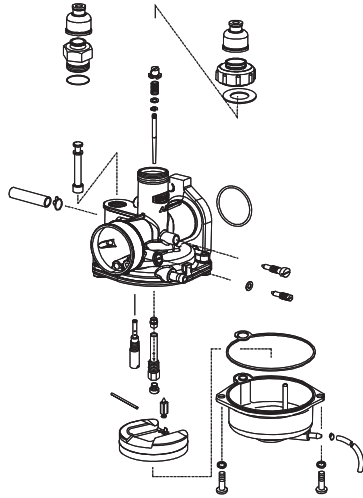


FIG.No.09
PAGE No. 14

AIRCLEANER ASSEMBLY

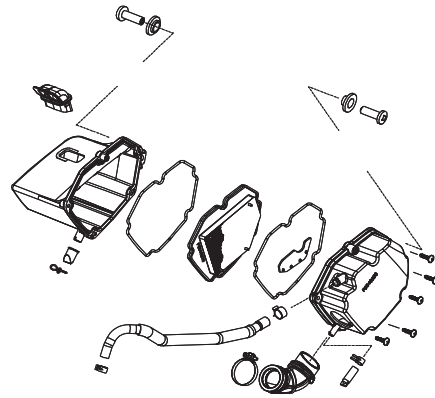


FIG.No.10
PAGE No. 16

SECONDARY AIR INJECTION ASSEMBLY

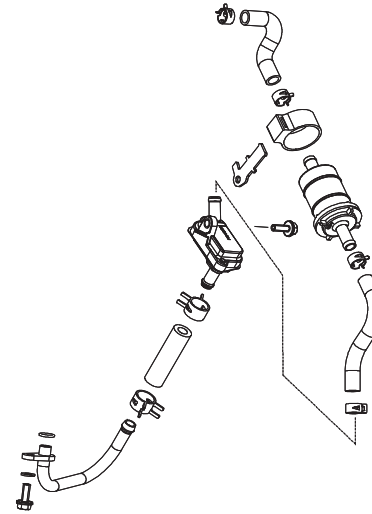


FIG.No.11
PAGE No. 17

MUFFLER ASSEMBLY

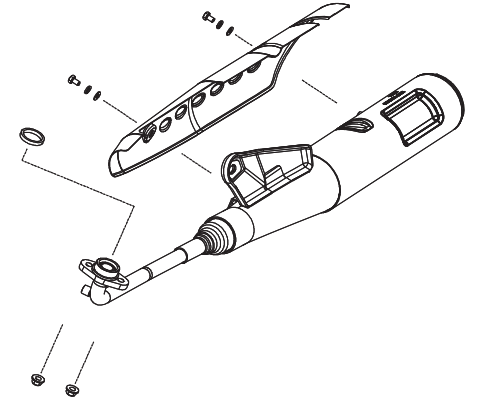


FIG.No.12
PAGE No. 18

FUEL TANK ASSEMBLY

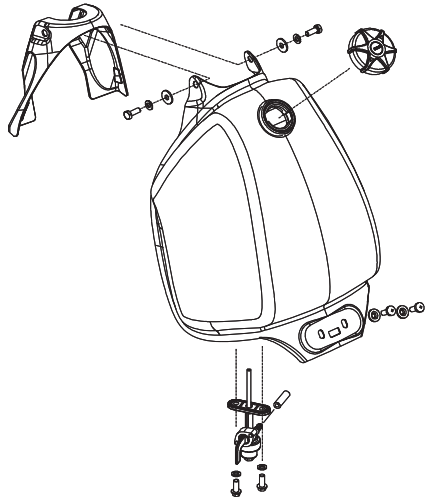


FIG.No.13
PAGE No. 19

HEAD LAMP AND TSL FR. ASSEMBLY

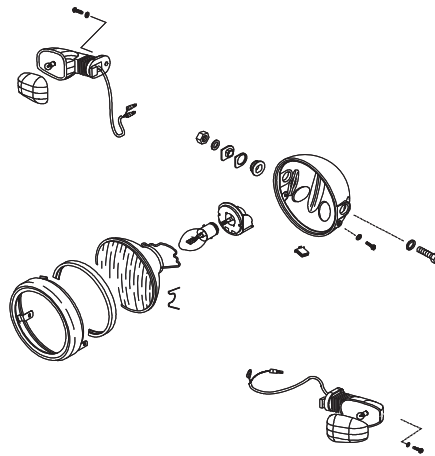


FIG.No.14
PAGE No. 20

FRAME ASSEMBLY

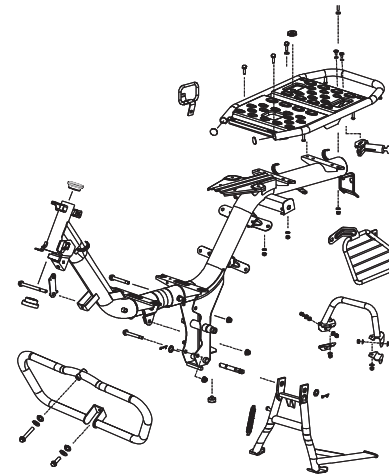


FIG.No. 15
PAGE No. 21

FOOT REST ASSEMBLY

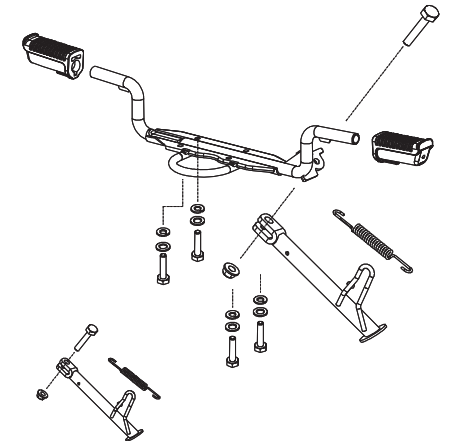


FIG.No.16
PAGE No. 23

FRONT SUSPENSION ASSEMBLY

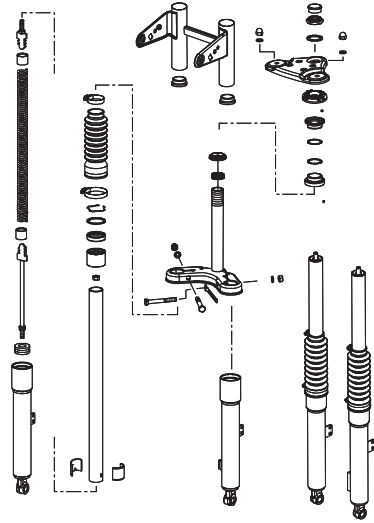


FIG.No.17
PAGE No. 24

COVER FRAME & TOOL BOX ASSEMBLY

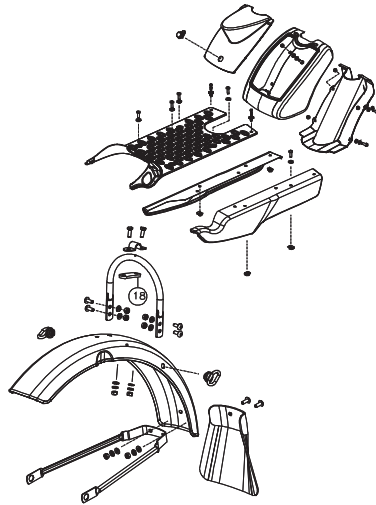


FIG.No.18
PAGE No. 26

REAR FENDER ASSEMBLY

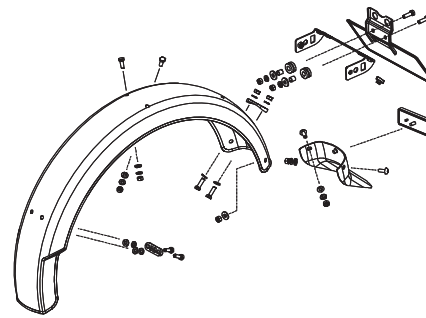


FIG.No.19
PAGE No. 27

SEAT ASSEMBLY

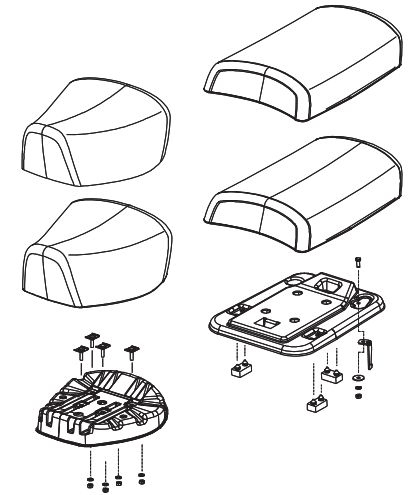


FIG.No.20
PAGE No. 28

TAIL LAMP & TSL REAR ASSEMBLY

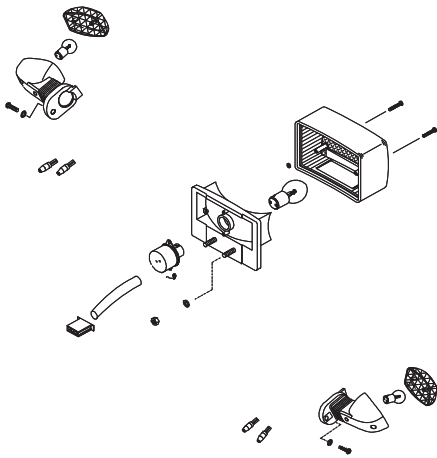


FIG.No.21
PAGE No. 29

FRONT WHEEL ASSEMBLY

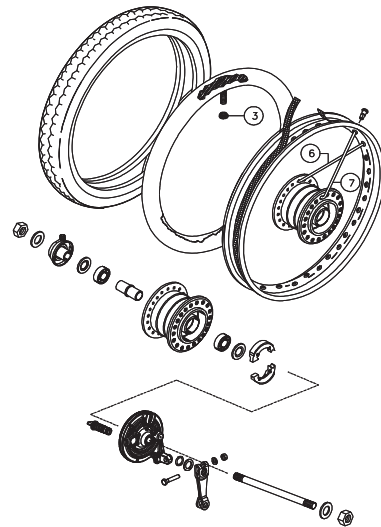


FIG.No.22
PAGE No. 30

REAR WHEEL ASSEMBLY

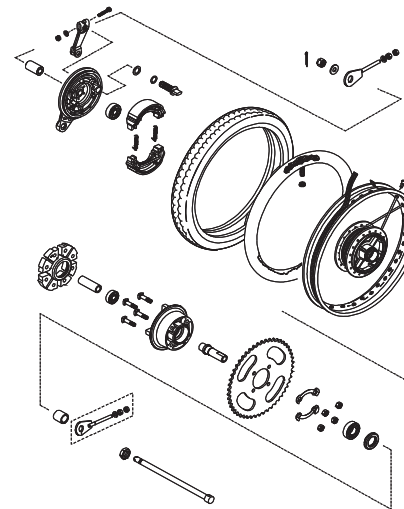


FIG.No. 23
PAGE No. 32

SPEEDOMETER ASSEMBLY

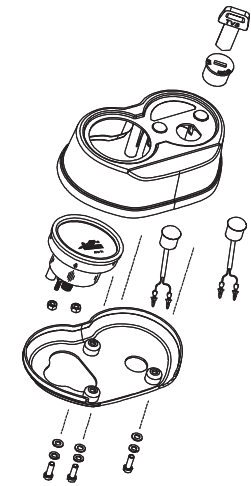


FIG.No.24
PAGE No. 34

HANDLE BAR ASSEMBLY

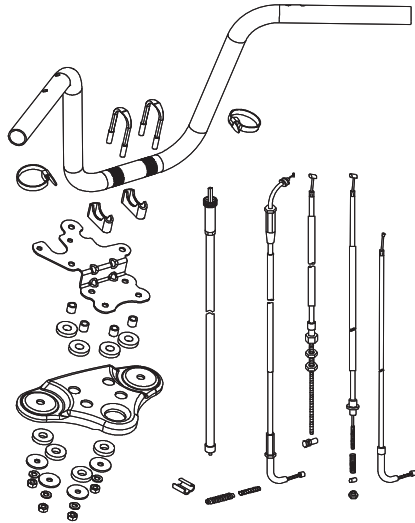


FIG.No.25
PAGE No. 35

BRAKE LEVER ASSEMBLY LH & RH

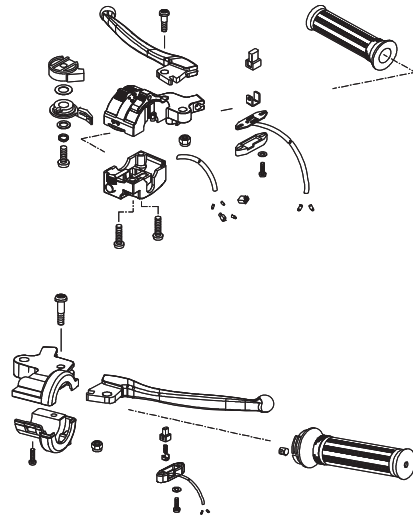


FIG.No.26
PAGE No. 36

WIRING HARNESS & IGNITION COIL ASSEMBLY

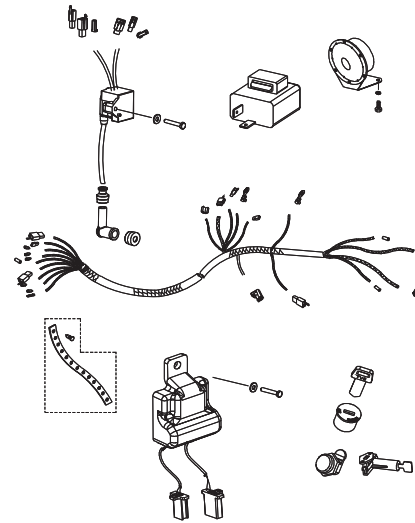


FIG.No.27
PAGE No. 37

SWINGARM ASSEMBLY

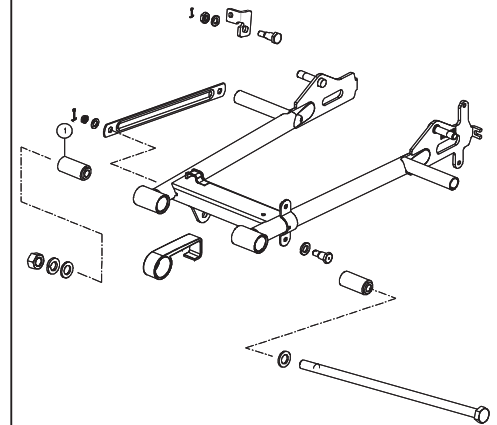


FIG.No.28
PAGE No. 38

SHOCK ABSORBER ASSEMBLY

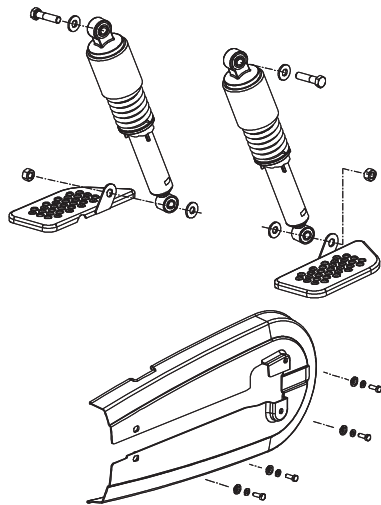


FIG.No.29
PAGE No. 39

TOOL KIT ASSEMBLY

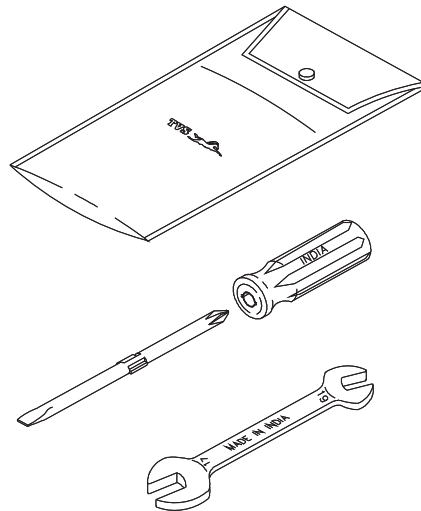


FIG.No.30
PAGE No. 40

KIT & KIT CONTENTS

PAGE No. 42

PAINTED PART NUMBER



PAGE No. 45

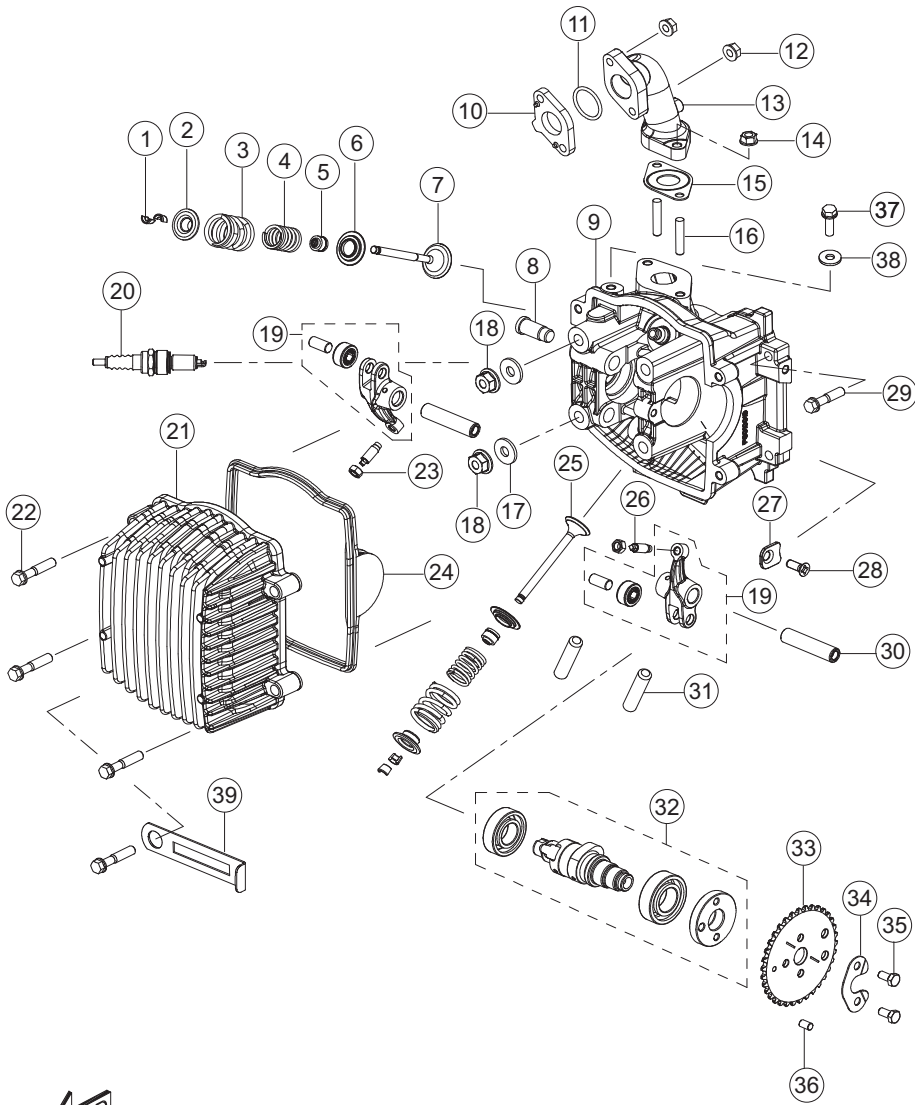
PART NUMBER INDEX

PAGE No. 42

ABBREVIATIONS

- N.I : NOT ILLUSTRATED
- N.S : NOT SERVICED
- KS : KICK START
- STD : STANDARD
- O/S : OVER SIZE
- 13T : 13 TEETH
- TSL : TURN SIGNAL LAMP
- LH : LEFT HAND SIDE
- RH : RIGHT HAND SIDE
- HL : HEAD LAMP
- BR : BRAKE
- MTG : MOUNTING
- FWD : FORWARD

FIG. No. 01



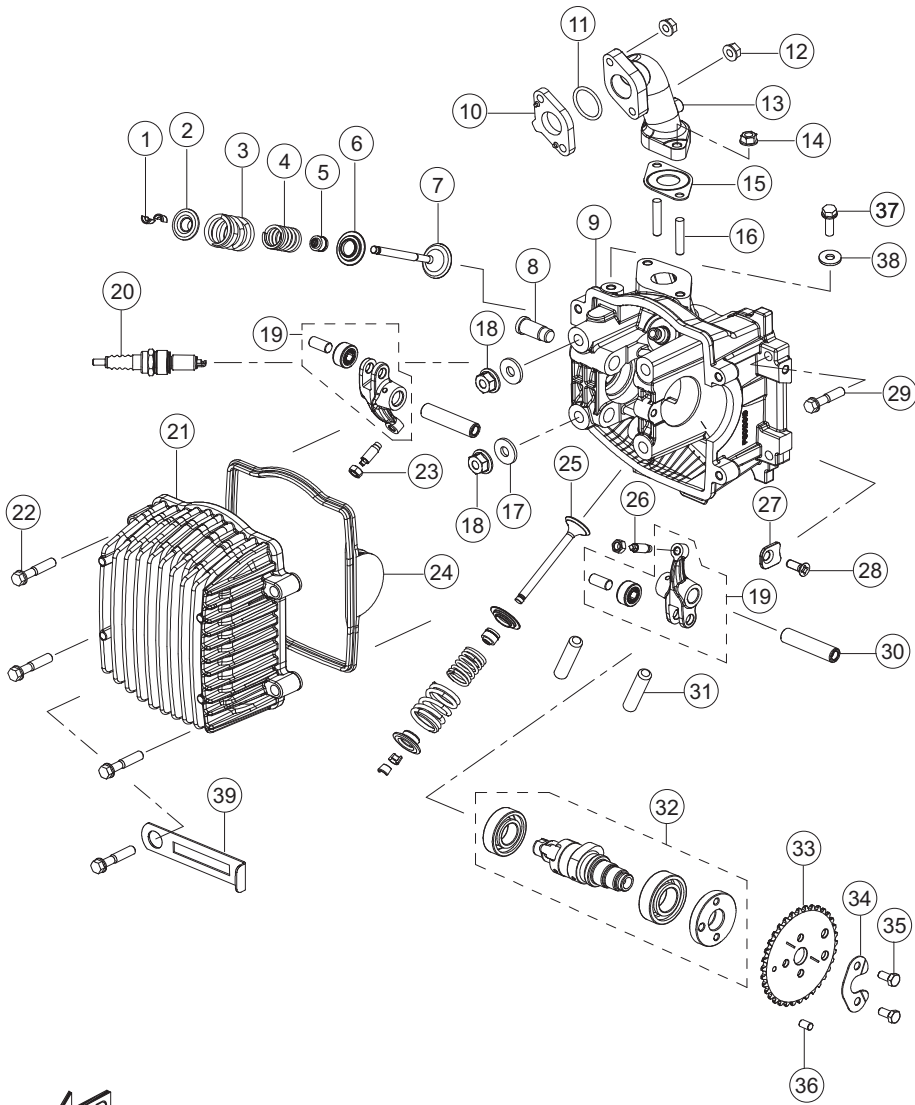
CYLINDER HEAD ASSEMBLY

FIG. No. 01

CYLINDER HEAD ASSEMBLY

REF. NO.	PART NO.	DESCRIPTION	NO. OFF	REMARKS
			XL 100 KS	
1	S1010320	COTTER VALVE	4	
2	N2011040	RETAINER VALVE SPRING	2	
3	N2010350	SPRING VALVE OUTER	2	
4	N2010340	SPRING VALVE INNER	2	
5	M1010620	SEAL VALVE STEM OIL	2	
6	K3010680	SEAT VALVE SPRING	2	
7	P6010210	VALVE INTAKE	1	
8	K3011090	STOPPER ROCKER SHAFT	1	
9	P6010020	HEAD CYLINDER COMP.	1	
10	K6040480	INSULATOR PAD	1	
11	K3040180	O RING INSULATOR PAD	1	
12	409047000	NYLON LOCK NUT M6	2	
13	P6040020	PIPE INTAKE COMP	1	
14	M1200900	HEX FLANGE NUT M6x1	2	
15	P6040040	GASKET PIPE INTAKE	1	
16	0333528	STUD BOLT CYLINDER No.1	1	
17	T4200150	WASHER CYLINDER HEAD NUT	4	
18	K3200760	HEX FLANGE NUT M7x1	4	
19	K6010200	ARM VALVE ROCKER ASSY.	2	
20	N3011780	SPARK PLUG UR5DC	1	

FIG. No. 01



CYLINDER HEAD ASSEMBLY

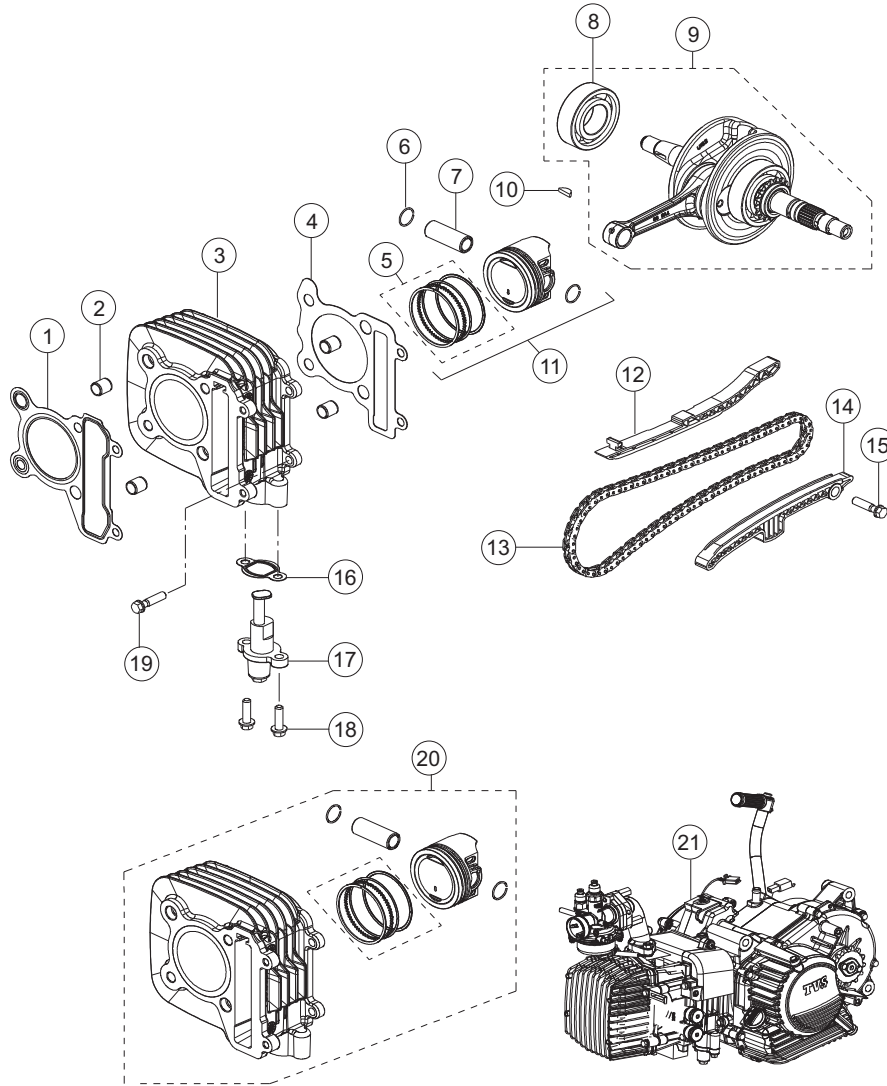
FIG. No. 01

CYLINDER HEAD ASSEMBLY

REF. NO.	PART NO.	DESCRIPTION	NO. OFF	REMARKS
			XL 100 KS	
21	P6010180	COVER CYLINDER HEAD	1	
22	M1200470	HEX FLANGE BOLT M6x30	4	
23	S1010250	NUT TAPE SET ADJUSTING	2	
24	P6010050	PACKING SEAL COVER CYLINDER HEAD	1	
25	P6010220	VALVE EXHAUST	1	
26	S1010240	SCREW TAPPET ADJUSTING	2	
27	P6010060	STOPPER CAMSHAFT	1	
28	N8200090	CRR CSK HEAD SCREW M5x15	1	
29	M1200510	HEX FLANGE BOLT M6x25	2	
30	T4010760	SHAFT ROCKER ARM	1	
31	0333558	STUD BOLT CYLINDER No.1	2	
32	P6010100	CAMSHAFT COMP.	1	
33	N5010320	SPROCKET 34T CAMSHAFT	1	
34	N5010400	WASHER SPROCKET	1	
35	M1200940	HEX SCREW M5x10	2	
36	M1010490	PIN SPROCKET KNOCK	1	
37	N8200060	HEX FLANGE BOLT M6x10	1	
38	N2010960	WASHER A6.6	1	
39	S1125320	CLAMP OIL HOSE NO. 2	1	
40	P6010110	CYLINDER HEAD ASSY KIT	1	**

** - REF. KIT & KIT CONTENTS

FIG. No. 02



CYLINDER BLOCK & CRANK SHAFT ASSEMBLY

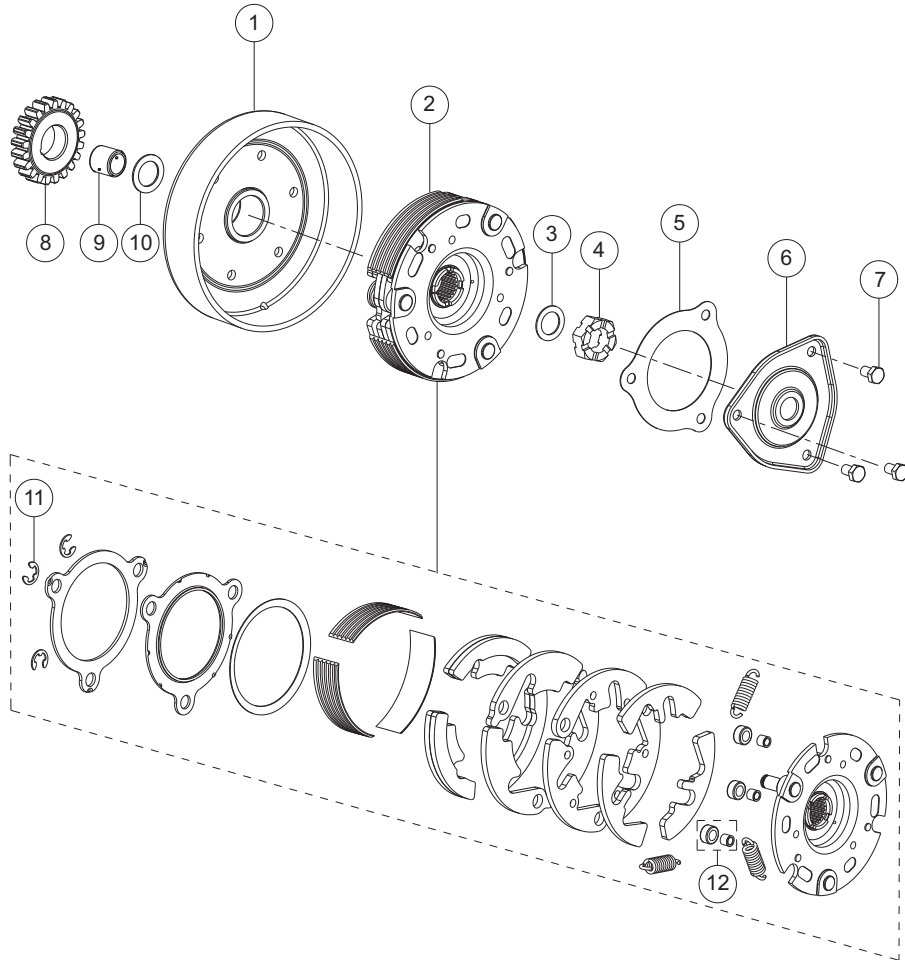
FIG. No. 02

CYLINDER BLOCK & CRANK SHAFT ASSEMBLY

REF. NO.	PART NO.	DESCRIPTION	NO. OFF		REMARKS
			XL 100	KS	
1	P6010120	GASKET CYLINDER HEAD	1		
2	S1200270	TUBLER DOWEL	4		
3	P6010040	CYLINDER BLOCK	1		
4	P6010130	GASKET CYLINDER	1		
5	N5320440	RING SET STD	1		**
6	N2200340	CIRCLIP PIN PISTON	2		
7	P010680	PIN PISTON	1		
8	N8200750	BALL BEARING 25x52x15	1		
9	P6020040	CRANKSHAFT COMP	1		
10	420702000	WOODRUFF KEY	1		
11	B5020100	PISTION KIT STD	1		
11A	P6320070	PISTON KIT I O/S	1		
11B	P6320080	PISTON KIT II O/S	1		
12	P6010070	GUIDE CAMCHAIN	1		
13	P6010150	CAMCHAIN	1		
14	P6010080	TENSIONER CAMCHAIN	1		
15	K3010640	BOLT CAM CHAIN TENSIONER	1		
16	P6010160	GASKET TENSIONER ADJUSTER	1		
17	K3010430	ADJUSTER ASSY. TENSIONER	1		
18	N2200490	HEX SCREW M6x20	2		
19	M1200530	HEX FLANGE BOLT M6x20	2		
20	P6320110	CYLINDER BLOCK & PISTON KIT	1		**
21	P6180020	ENGINE ASSEMBLY	1		KS

** - REF. KIT & KIT CONTENTS

FIG. No. 03

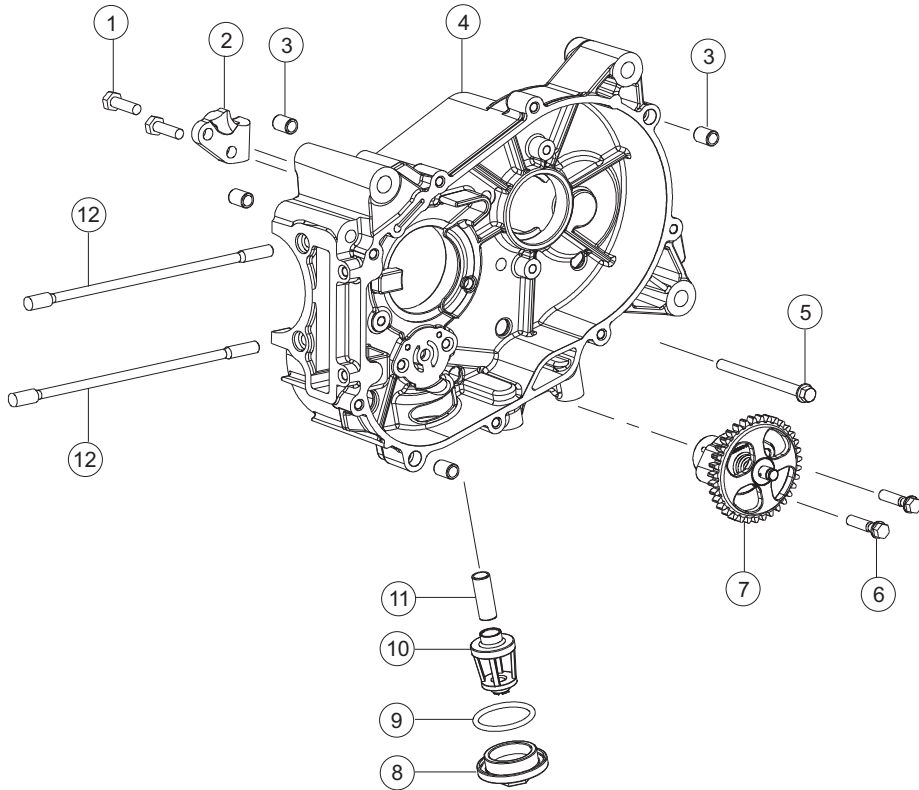


DRUM CLUTCH ASSEMBLY

FIG. No. 03

DRUM CLUTCH ASSEMBLY

REF. NO.	PART NO.	DESCRIPTION	NO. OFF	REMARKS
			XL 100 KS	
1	B5070010	DRUM CLUTCH COMP.	1	
2	B5070020	PLATE ASSY. PRIMARY DRIVE	1	
3	R1200050	DISC SPRING	1	
4	R1200060	NUT CRANKSHAFT	1	
5	R1020310	GASKET COVER OIL FILTER	1	
6	R1020309	COVER OIL FILTER	1	
7	C1200020	HEX SCREW M5x8	3	
8	B5080220	GEAR OIL PUMP DRIVE	1	
9	P6070010	SPACER CLUTCH	1	
10	M7010810	THRUST WASHER 17x26x1.5	1	
11	K3200100	E-RING SIDE WASHER	3	
12	R1070590	BUSH CARRIER COMP.	3	

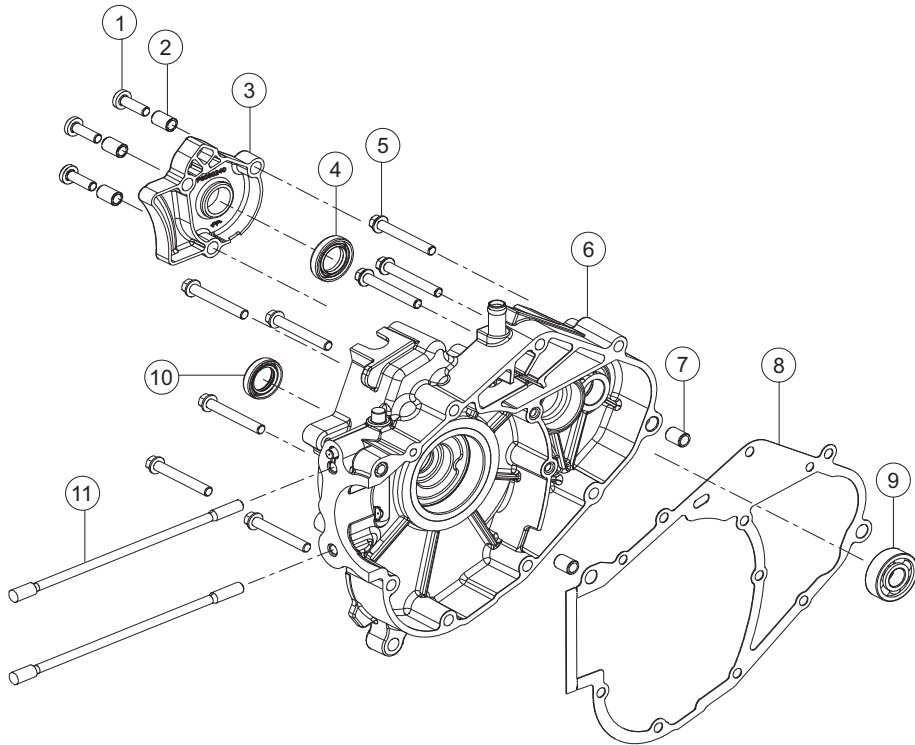


CRANKCASE LH ASSEMBLY

CRANKCASE LH ASSEMBLY

REF. NO.	PART NO.	DESCRIPTION	NO. OFF	REMARKS
			XL 100 KS	
1	420462700	HEX BOLT M8x70	2	
2	P6080260	LIFTER RATCHET	1	
3	0074010	DOWEL PIN	4	
4	P6030030	CRANKCASE ASSY. KIT LH	1	Ref. P. No. 41
5	M1200440	HEX FLANGE BOLT M6x75	1	
6	M1200510	HEX FLANGE BOLT M6x25	2	
7	B5080410	OIL PUMP ASSY.	1	
8	K4080150	TDB	1	
9	K3200730	O RING 29.5x3	1	
10	P6080220	OIL FILTER	1	
11	S1080409	PIPE INLET OIL PUMP	1	
12	K3200180	STUD CYLINDER	2	

FIG. No. 05



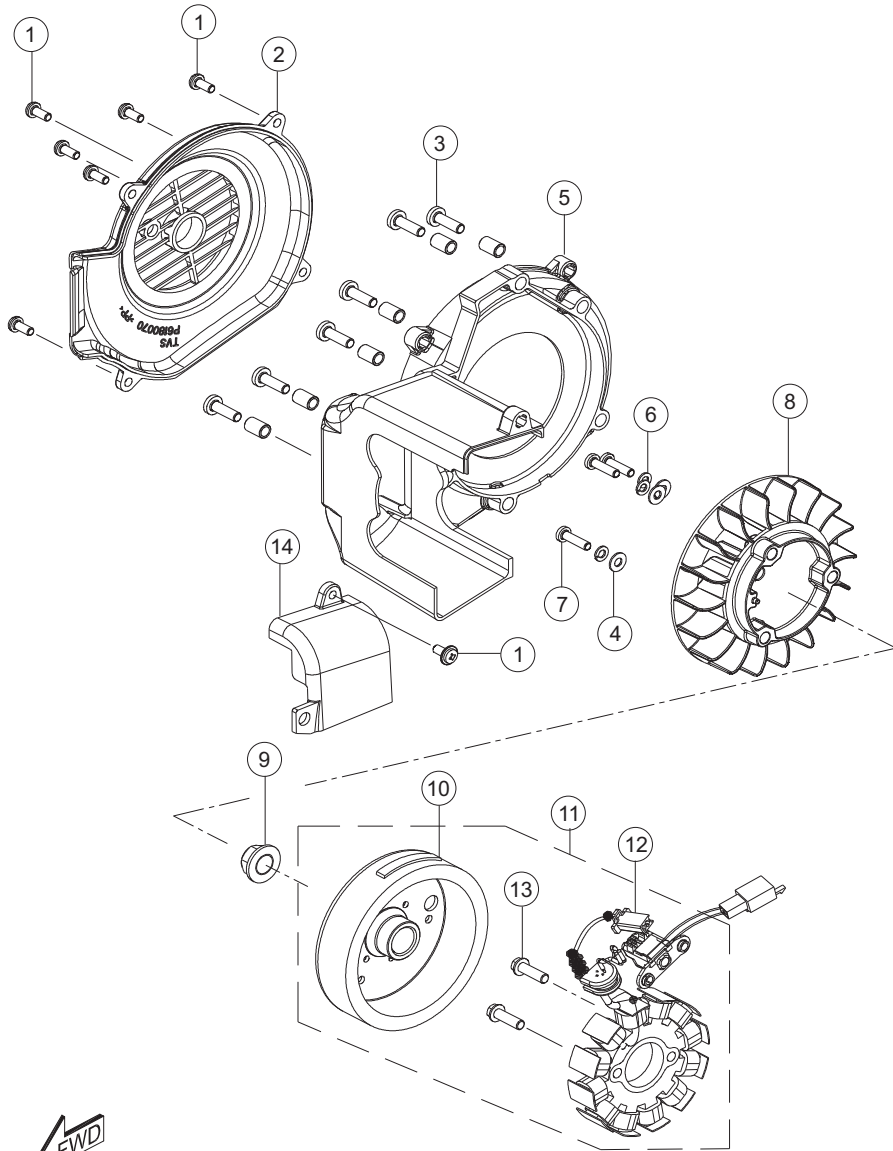
CRANKCASE RH ASSEMBLY

FIG. NO. 05

CRANKCASE RH ASSEMBLY

REF. NO.	PART NO.	DESCRIPTION	NO. OFF	REMARKS
			XL 100 KS	
1	M1200820	REC PAN HEAD SCREW M6x25	3	
2	N5030200	BUSH MANETO COVER MTG	3	
3	P6080240	COVER KICK STARTER	1	
4	T4080540	OIL SEAL SHAFT DRIVE DIA 17x29x6	1	
5	N5200160	HEX FLANGE BOLT M6x45	8	
6	P6030150	CRANKCASE ASSY KIT RH	1	Ref. P. No. 41
7	0074010	DOWEL PIN	2	
8	P6030060	GASKET CRANKCASE	1	
9	420602000	BALL BEARING 12x32x10	1	
10	K3200640	OIL SEAL 17x26x6	1	
11	K3200180	STUD CYLINDER	1	

FIG. NO. 06



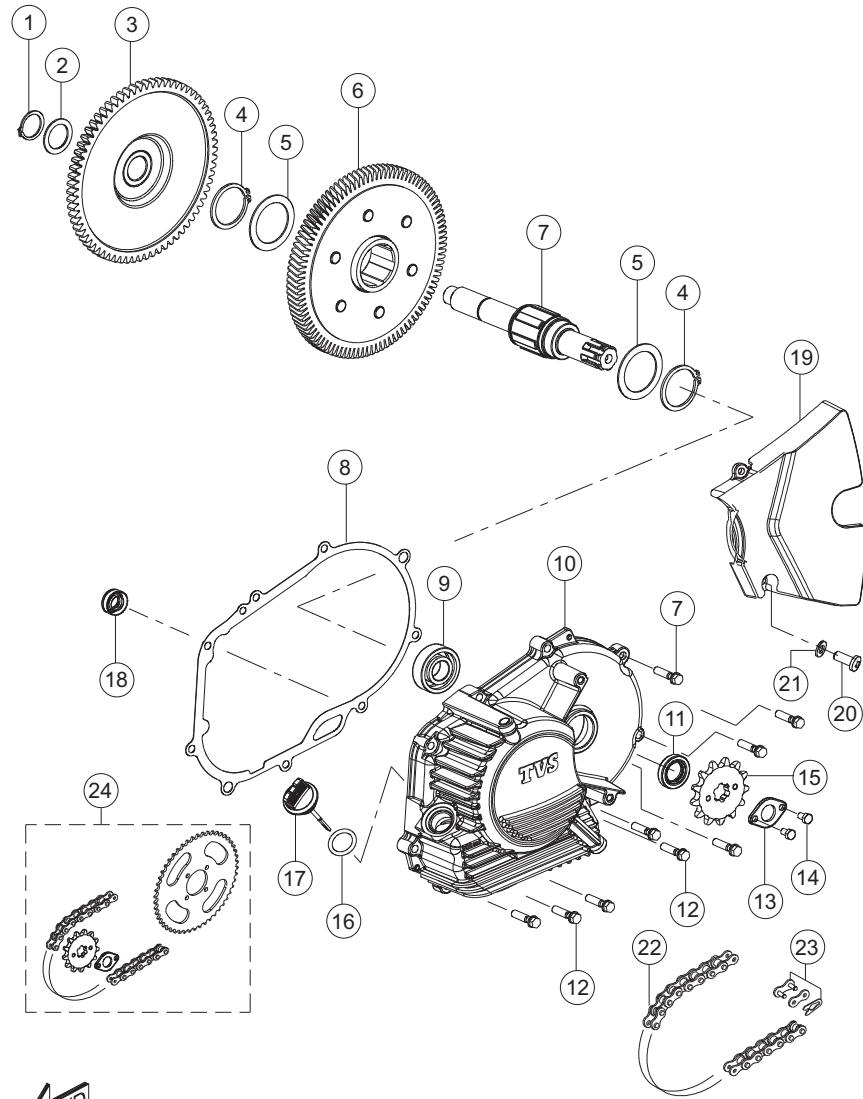
MAGNETO ASSEMBLY

FIG. NO. 06

MAGNETO ASSEMBLY

REF. NO.	PART NO.	DESCRIPTION	NO. OFF	REMARKS
			XL 100 KS	
1	8200120	CRR PAN HEAD SCREW M5x12	7	
2	P6180070	COVER FAN	1	
3	M1200820	CRR PAN HEAD SCREW M6x25	7	
4	P1200140	PUNCHED WASHER 5.5x12x1	3	
5	P6180060	COWL FAN	1	
6	P1200150	WAVE SPRING WASHER M5	3	
7	0332808	CRR PAN HEAD SCREW M5x25	3	
8	P6180050	FAN ENGINE COOLING	1	
9	M1200770	U NUT M8x1.25	1	
10	P6320060	ROTOR ASSY.	1	
11	P6060010	MAGNETO ASSY.	1	
12	P6320050	STATOR ASSY.	1	
13	M1200530	HEX FLANGE BOLT M6x20	1	
14	P6180080	DEFLECTOR	1	

FIG. No. 07



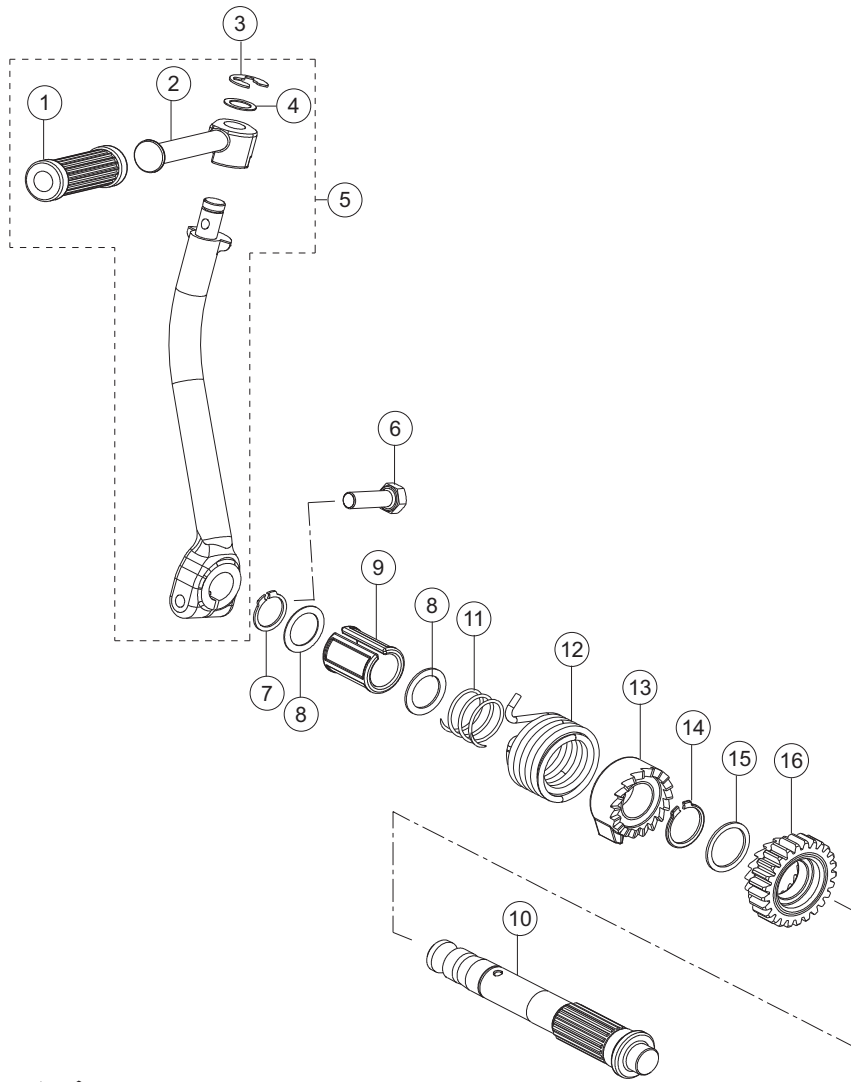
COVER CLUTCH ASSEMBLY

FIG. No. 07

COVER CLUTCH ASSEMBLY

REF. NO.	PART NO.	DESCRIPTION	NO. OFF	REMARKS
			XL 100 KS	
1	P200030	CIRCLIP 16x1	1	
2	0335024	SHIIM 17x24x1	1	
3	P6080150	GEAR KS IDLER	1	
4	G2200980	CIRCLIP	2	
5	G2200970	SHIM 28x38x1	2	
6	B5080360	GEAR COMP. PRIMARY DRIVEN	1	
7	P6080020	SHAFT GEAR PRIMARY DRIVEN	1	
8	P6030070	GASKET COVER CLUTCH	1	
9	N2200150	BALL BEARING 12x40x12	1	
10	P6030090	COVER CLUTCH	1	
11	T4080540	OIL SEAL SHAFT DRIVE DIA 17x29x6	1	
12	M1200510	HEX FLANGE BOLT M6x25	9	
13	N3080250	LOCK PLATE SPROCKET	1	
14	C1200020	HEX SCREW M5x8	2	
15	P6080090	SPROCKET 13T	1	
16	S1200860	O RING	1	
17	G2081880	OIL GUAGE LEVEL	1	
18	N2200550	OIL SEAL CRANKSHAFT RH	1	
19	P6080010	COVER ENGINE SPROCKET	1	
20	P200270	CRPH SCREW M6x12	2	
21	420001700	PUNCHED WASHER A6.6	2	
22	P6110160	CHAINASSY. 104	1	
23	P321420	CONNECTING LINK SET	1	
24	P6320140	CHAIN SPROCKET KIT	1	**

FIG. No. 08



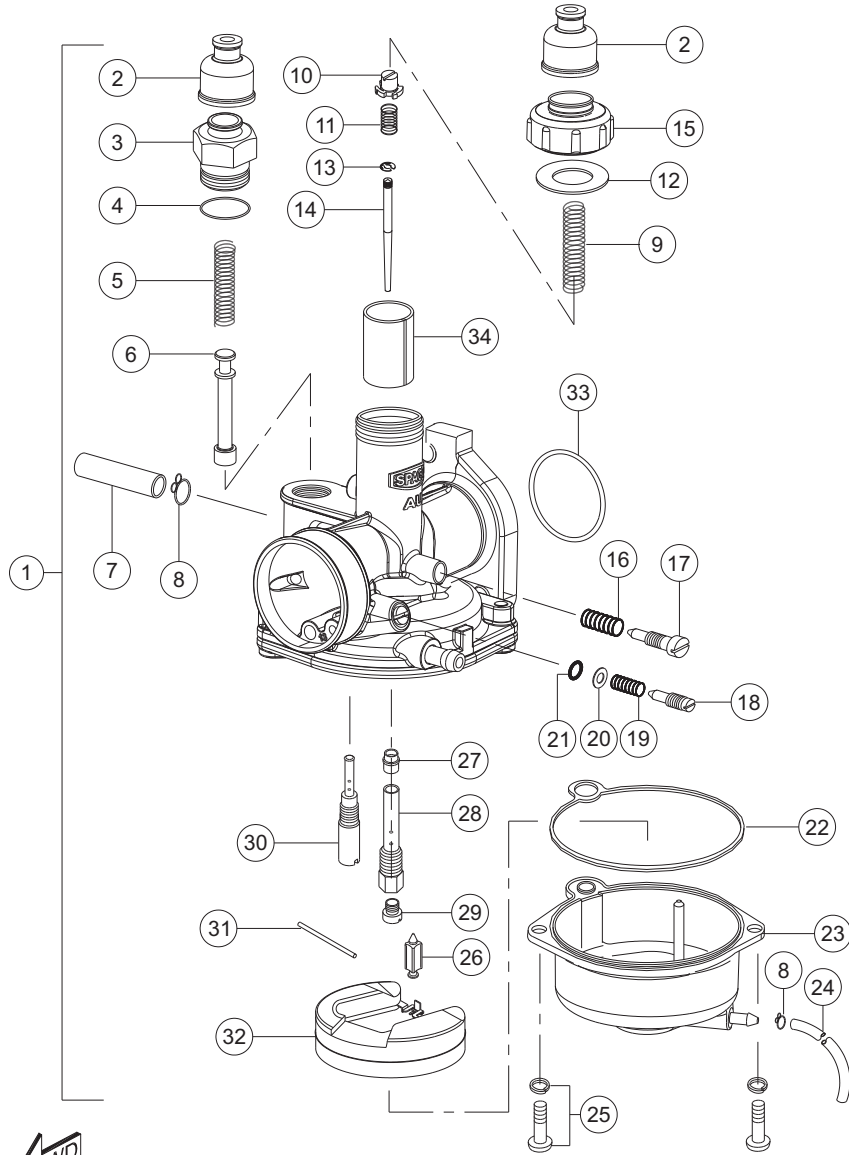
KICK STARTER ASSEMBLY

FIG. No. 08

KICK STARTER ASSEMBLY

REF. NO.	PART NO.	DESCRIPTION	NO. OFF	REMARKS
			XL 100 KS	
1	0258040	RUBBER KICK STARTER LEVER	1	
2	F084088	PEDAL LEVER M/C	1	
3	0330208	CIRCLIP 8.0	1	
4	F084100	WASHER LEVER KICK STARTER	1	
5	P6080050	LEVER KICK STARTER ASSY.	1	
6	0331268	HEX BOLT M8x1.25x25	1	
7	0330164	CIRCLIP 3RD DRIVE GEAR	1	
8	0335024	SHIM 17x24x1	1	
9	N5081280	GUIDE KICK STARTER SPRING	1	
10	P6080119	SHAFT KICK STARTER	1	
11	P6080130	SPRING KICK STARTER RATCHET	1	
12	N5081370	SPRING KICK STARTER	1	
13	N5081330	RATCHER KICK STARTER	1	
14	0330174	CIRCLIP 16x1	1	
15	N5200140	SHIM 20.5x25.5x1.2	1	
16	P6080250	GEAR KICK STARTER	1	

FIG. No. 09



CARBURETTOR ASSEMBLY

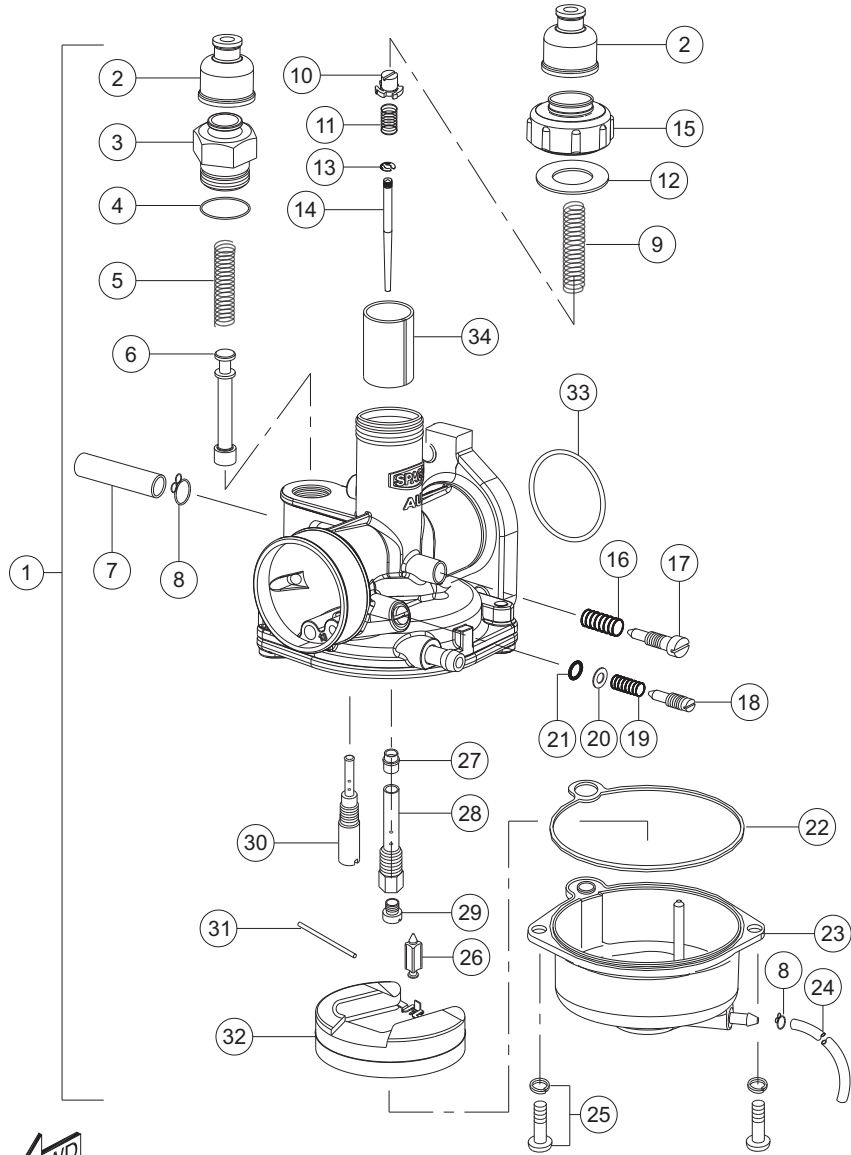


FIG. No. 09

CARBURETTOR ASSEMBLY

REF. NO.	PART NO.	DESCRIPTION	NO. OFF	REMARKS
			XL 100 KS	
1	P6040030	CARBURETTOR ASSY.	1	
2	N8320270	TOP CAP ASSY.	2	
3	N8320940	HOUSING CHOCK	1	
4	N8320730	O RING	1	
5	P320110	SPRING	1	
6	N8320950	VALVE SPINDLE CHOKE	1	
7	P6320390	VENT HOSE	1	
8	P320330	TUBE CLIP	2	
9	P6320290	SPRING THROTTLE VALVE	1	
10	P6320430	RETAINER DISC	1	
11	N8320310	SPRING COMPRESSION	1	
12	P1320570	GASKET	1	
13	P320280	CIRCLIP	1	
14	P6320220	JET NEEDLE TYPE H1	1	
15	P1320500	CAP THROTTLE	1	
16	P6320470	SPRING VALVE CONTROLLER	1	
17	P1320560	VALVE CONTROLLER	1	
18	P6320460	AIR ADJUSTER	1	
19	N8320360	SPRING AIR ADJ.	1	

FIG. No. 09



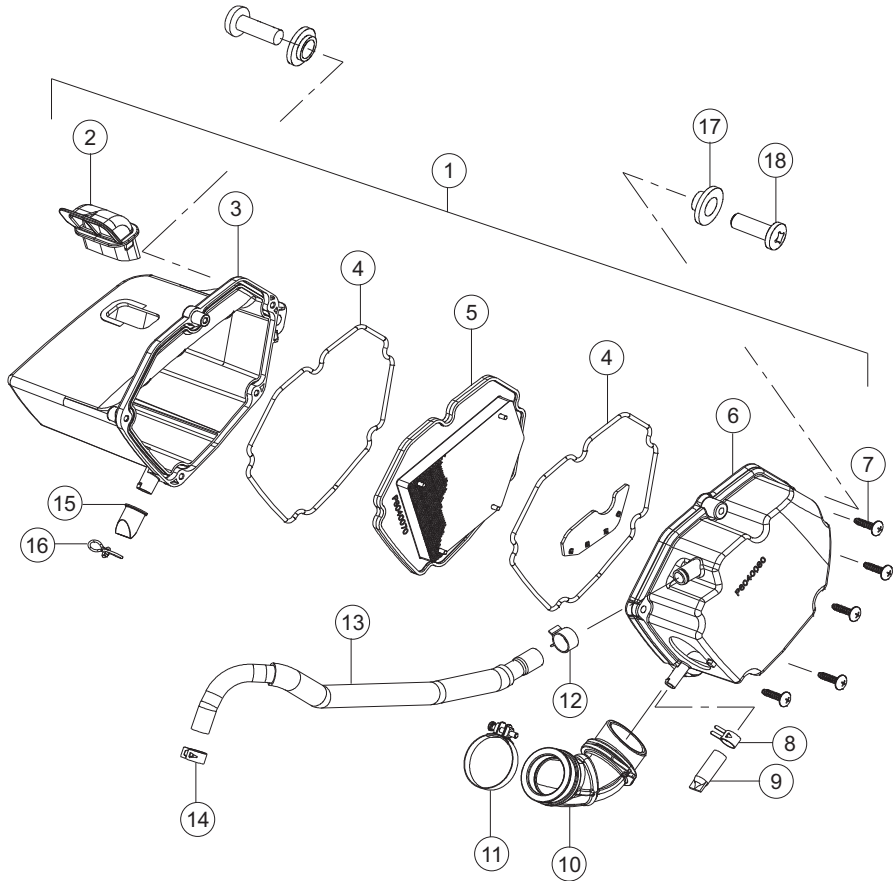
CARBURETTOR ASSEMBLY

FIG. No. 09

CARBURETTOR ASSEMBLY

REF. NO.	PART NO.	DESCRIPTION	NO. OFF	REMARKS
			XL 100 KS	
20	N8320370	WASHER AIR ADJ.	1	
21	N8320380	O RING AIR ADJ.	1	
22	N8320440	GASKET FLOT BODY	1	
23	P6320310	FC COVER ASSY.	1	
24	P6320410	HOSE DRAIN	1	
25	P320050	SCREW + SPRING WASHER	2	
26	P6320320	PETROL STOP NEEDLE	1	
27	P6320260	NEEDLE JET	1	
28	P6320280	NEEDLE JET HOLDER	1	
29	P6320230	MAIN JET No.52	1	
30	N8323590	SLOW JET NO.32	1	
31	N8320490	PIN FLOAT	1	
32	N8320500	FLOAT	1	
33	P6320420	O RING INSULATOR PAD	1	
34	P6320440	THROTTLE VALVE	1	

FIG. No. 10



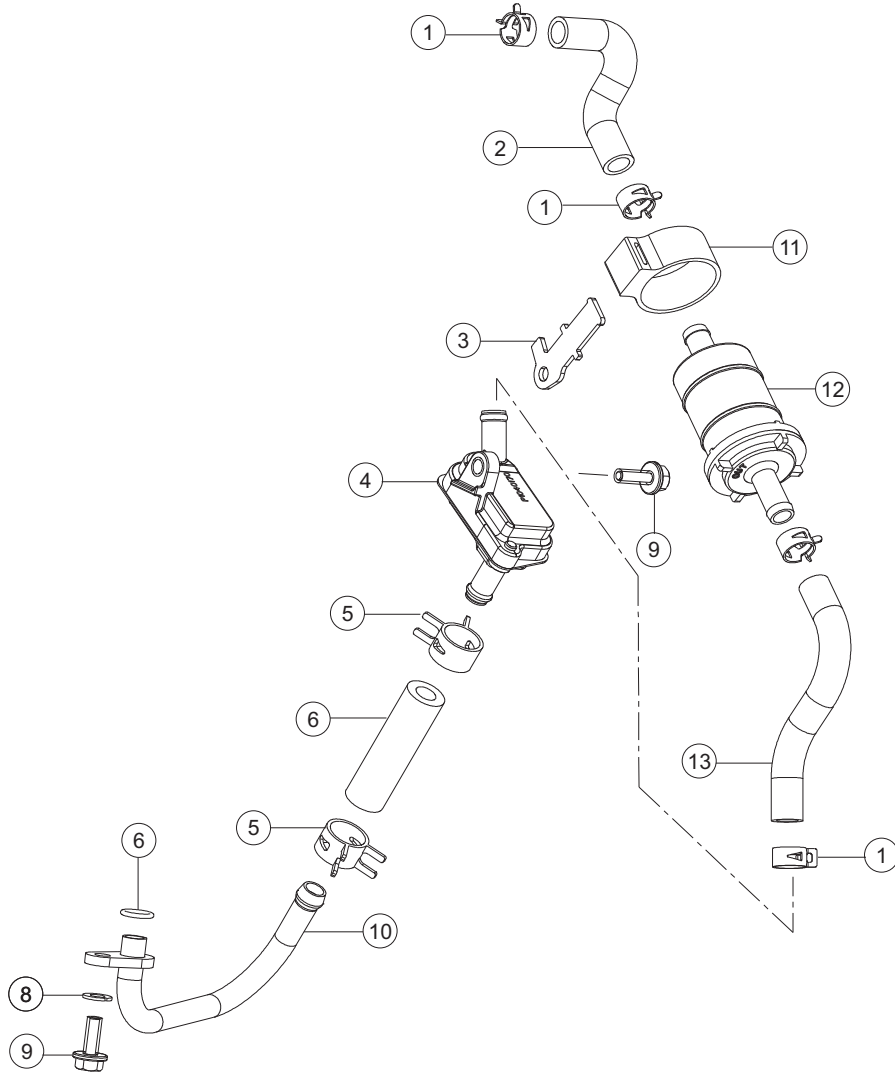
AIR CLEANER ASSEMBLY

FIG. No. 10

AIR CLEANER ASSEMBLY

REF. NO.	PART NO.	DESCRIPTION	NO. OFF	REMARKS
			XL 100 KS	
1	P6040050	AIR FILTER ASSY.	1	
2	P6040150	TUBE INLET	1	
3	P6040060	COVER AIR CLEANER	1	
4	P6040090	SEAL AIR CLEANER	2	
5	P6040070	FILTER HOLDER COMP.	1	
6	P6040080	CASE COMP AIR CLEANER	1	
7	K6200240	SELF TAP SCREW	5	
8	R1040460	CLIP HOSE BREATHER	1	
9	N3040360	DRAIN PIPE	1	
10	P6040100	TUBE OUTLET	1	
11	0086010	HOSE CLIP 41.5	1	
12	K140820	HOSE CLIP	1	
13	P6040160	HOSE BREATHER PVC COMP	1	
14	R2040400	HOSE CLAMP DIA 12.5	1	
15	P6040110	DRAIN PIPE	1	
16	R1140440	HOSE CLIP DIA 13	1	
17	N9051860	CUP WASHER	2	
18	0332275	SCREW CRPH M6x16	2	

FIG. No. 11



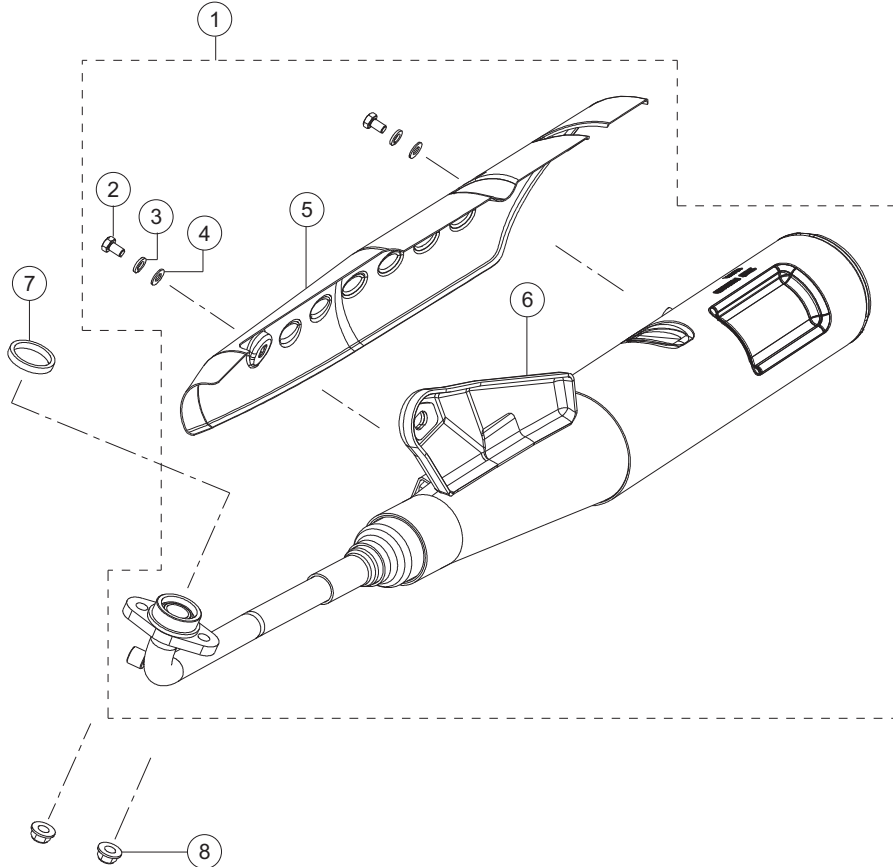
SECONDARY AIR INJECTION ASSEMBLY

FIG. No. 11

SECONDARY AIR INJECTION ASSEMBLY

REF. NO.	PART NO.	DESCRIPTION	NO. OFF	REMARKS
			XL 100 KS	
1	R2040400	HOSE CLIP DIA 12.5	4	
2	P6040180	HOSE AIR INLET	1	
3	P6040170	BRKT AIR FILTER	1	
4	P1040170	SAI VALVE ASSY.	1	
5	N8040350	HOSE CLIP AIR INJECTION	2	
6	N8040620	HOSE SAI OUTLET	1	
7	N8040340	O RING 1.9x10	1	
8	P1200050	WAVE SPRING WASHER M6	1	
9	M1200520	HEX FLANGE BOLT M6x16	2	
10	P6040140	PIPE COMP. SAI	1	
11	P1040220	BOOT AIR SAI FILTER	1	
12	N9041670	AIR CLEANER SAI	1	
13	P6040190	HOSE SAI INLET	1	

FIG. No. 12



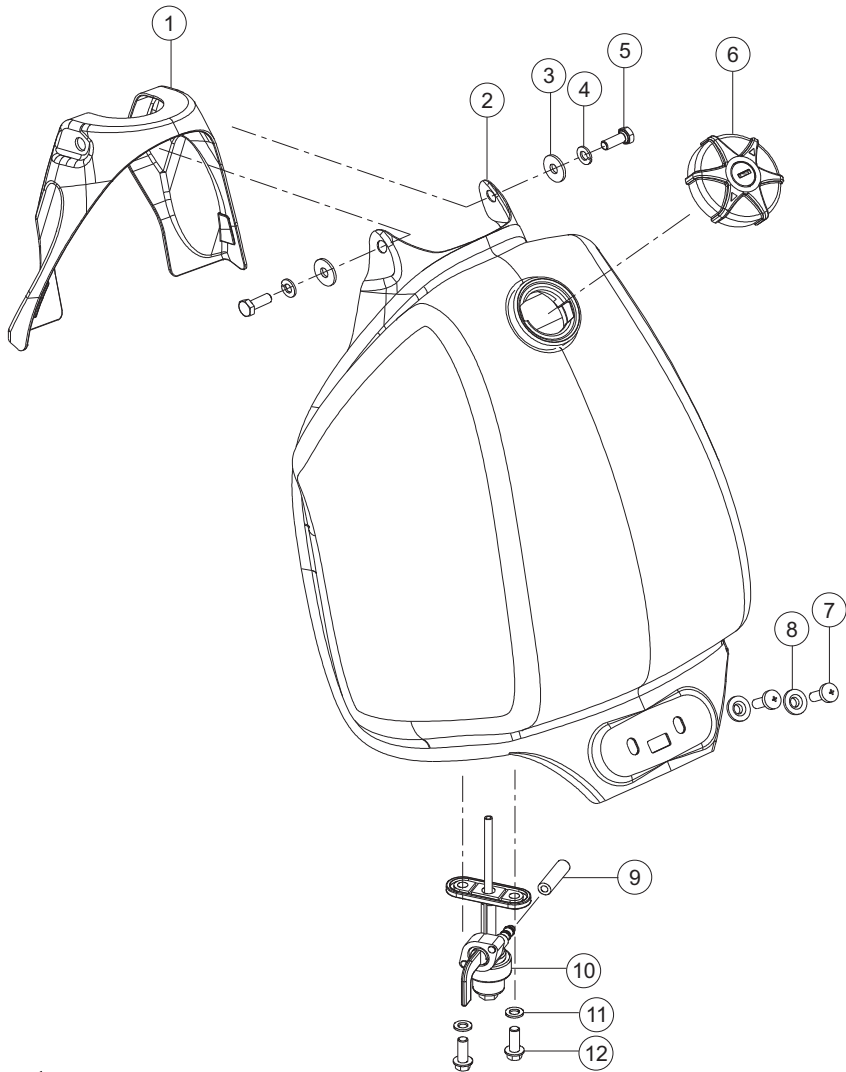
MUFFLER ASSEMBLY

FIG. No. 12

MUFFLER ASSEMBLY

REF. NO.	PART NO.	DESCRIPTION	NO. OFF	REMARKS
			XL 100 KS	
1	P6050020	MUFFLER SUBASSY.	1	
2	N3200250	HEX SCREW M6x10	2	
3	0330408	SPRING WASHER	2	
4	420001700	PUNCHED WASHER 6.5x13x1	2	
5	P6220260	GUARD MUFFLER	1	
6	P6050030	MUFFLER COMP.	1	
7	T4050180	GASKET EXHAUST	1	
8	M1200890	U NUT M8x1.25	2	

FIG. No. 13



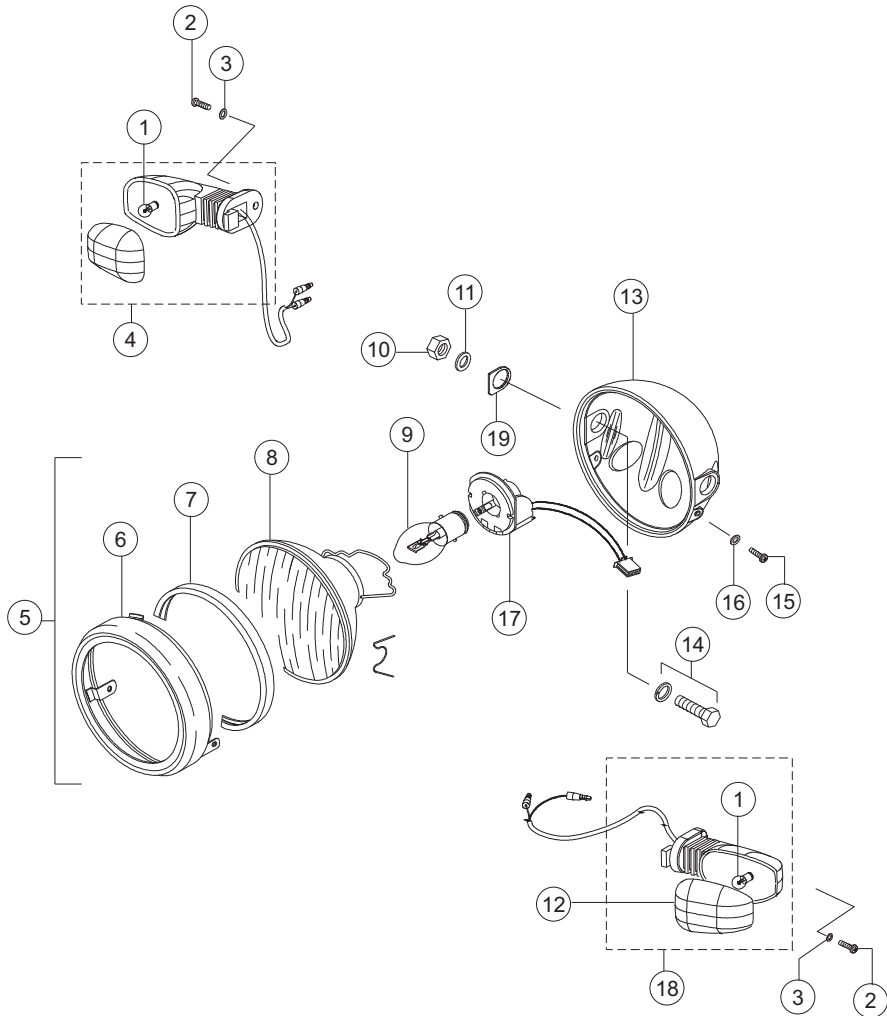
FUEL TANK ASSEMBLY

FIG. No. 13

FUEL TANK ASSEMBLY

REF. NO.	PART NO.	DESCRIPTION	NO. OFF		REMARKS
			XL 100	KS	
1	P6220200	COVER FUEL TANK	1		
2	—	FUEL TANK COMP. (WITH STICKER)	1		Ref. P. No. 45
3	0335928	PLAIN WASHER 18x6.5x1.6	2		
4	P1200050	WAVE SPRING WASHER M6	2		
5	M1200640	HEX SCREW M6x16	2		
6	T140160	TANK ASSY. FUEL CAP	1		
7	P1200040	CRR PAN HD SCREW M6x16	2		
8	P1200110	CUP WASHER	2		
9	N9142120	HOSE FUEL COCK (WITH HOSE CLIP)	1		
10	P6140080	FUEL COCK COMP.	1		
11	N3140120	GASKET OIL LEVEL PLUG	2		
12	N3200220	HEX FLANGE BOLT M6x1.25x16	2		

FIG. No. 14



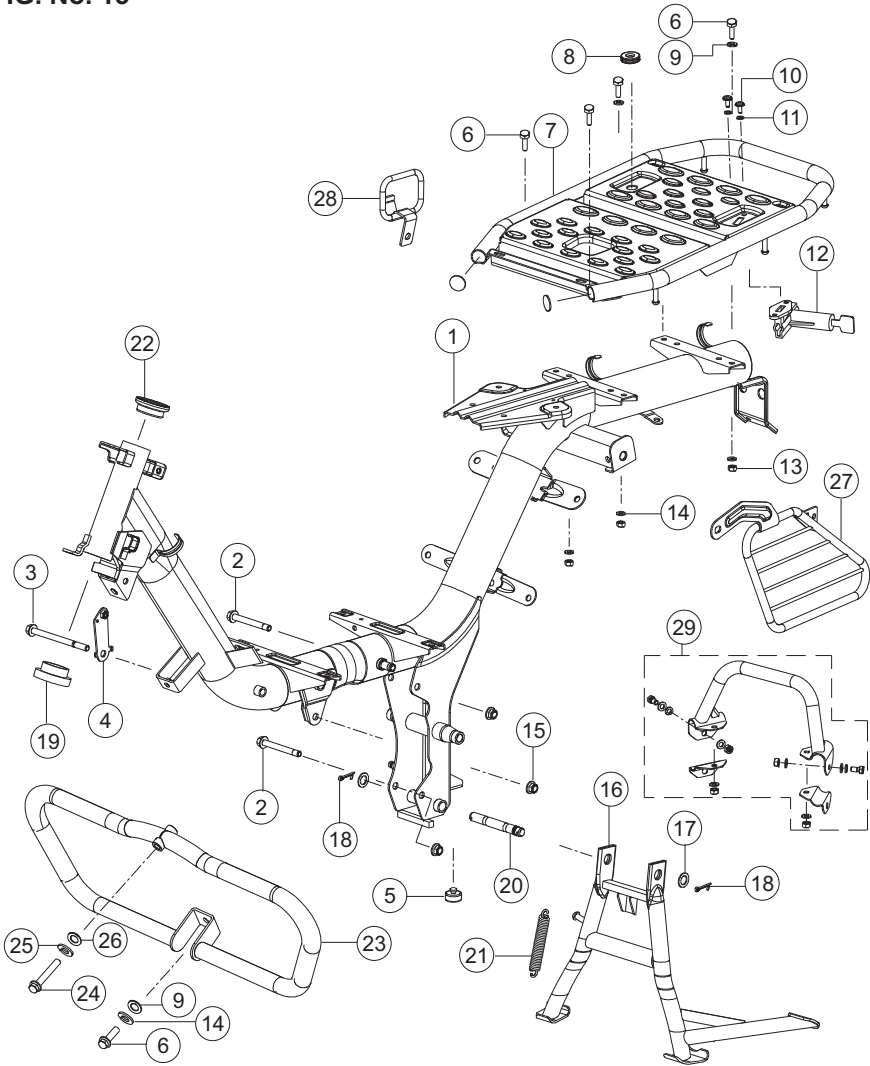
HEADLAMP & TSL FRONT ASSEMBLY

FIG. No. 14

HEADLAMP & TSL FRONT ASSEMBLY

REF. NO.	PART NO.	DESCRIPTION	NO. OFF		REMARKS
			XL 100	KS	
1	N3160210	BULB 12V 10W	2		
2	P1200040	CRR PAN HEAD SCREW M6x16	2		
3	420001700	PUNCHED WASHER A6.6	2		
4	B1160190	TURN SIGNAL LAMP FRONT RH	1		
5	P1160030	HEAD LAMP ASSY.	1		
6	P1320650	RIM HEADLAMP	1		
7	P1320660	GASKET HEADLAMP	1		
8	P1320640	REFLECTOR UNIT	1		
9	P160460	BULB HEADLAMP	1		
10	0334548	HEX NUT M8	2		
11	0335516	WASHER	4		
12	P1320830	LENS COMP. TSL	2		
13	P1320670	SHELL HEADLAMP	1		
14	0331058	HEX BOLT+WAVE SPRING WASHER M8x16	2		
15	420465700	SCH SCREW M5x16	2		
16	0330308	WAVE SPRING WASHER	2		
17	P3160020	BULB HOLDER ASSY.	1		
18	B1160180	TURN SIGNAL LAMP FRONT LH	1		
19	P320540	RUBBER BUSH ASSY.	2		

FIG. No. 15



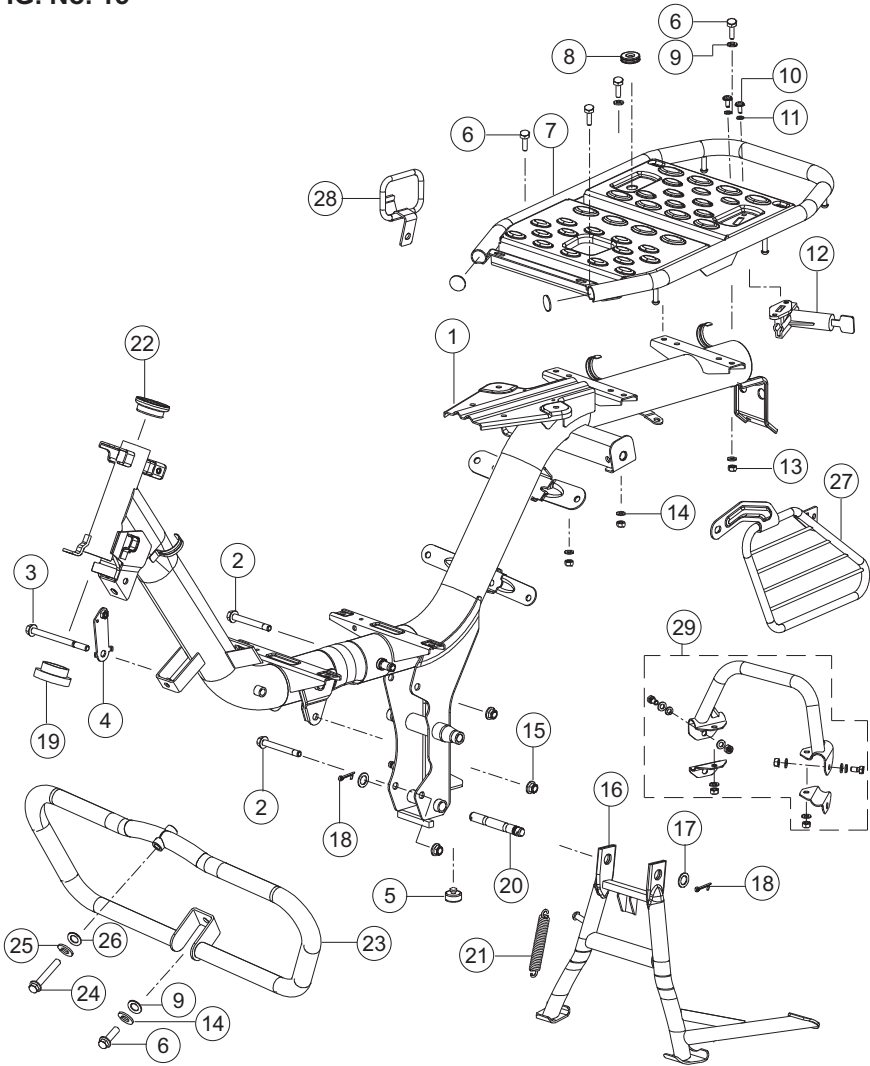
FRAME ASSEMBLY

FIG. No. 15

FRAME ASSEMBLY

REF. NO.	PART NO.	DESCRIPTION	NO. OFF	REMARKS
			XL 100 KS	
1	P6120110	FRAME COMP.	1	
2	N8200040	HEX SCREW M8x65	2	
3	N5200330	HEX FLANGE BOLT M8x100	1	
4	P6120340	BRKT TCI MTG	1	
5	K130190	STOPPER SEAT	1	
6	P1200070	HEX SCREW M6x16	5	
7	P6120350	CARRIER COMP	1	
8	N3130100	CUSHION	1	
9	420001700	PUNCHED WASHER A6.6	3	
10	8200120	CRPH SCREW M5x12	2	
11	P1200150	WAVE SPRING WASHER M5	2	
12	K130110	SEAT LOCK	1	
13	P1200060	HEX NUT	4	
14	P1200050	WAVE SPRING WASHER	5	
15	M1200890	U NUT M8x1.25	3	
16	P6120170	CENTER STAND COMP.	1	
17	420015700	PUNCHED WASHER 12.5x20x1.2	2	
18	0330028	SPLIT PIN 3.20x25	1	

FIG. No. 15



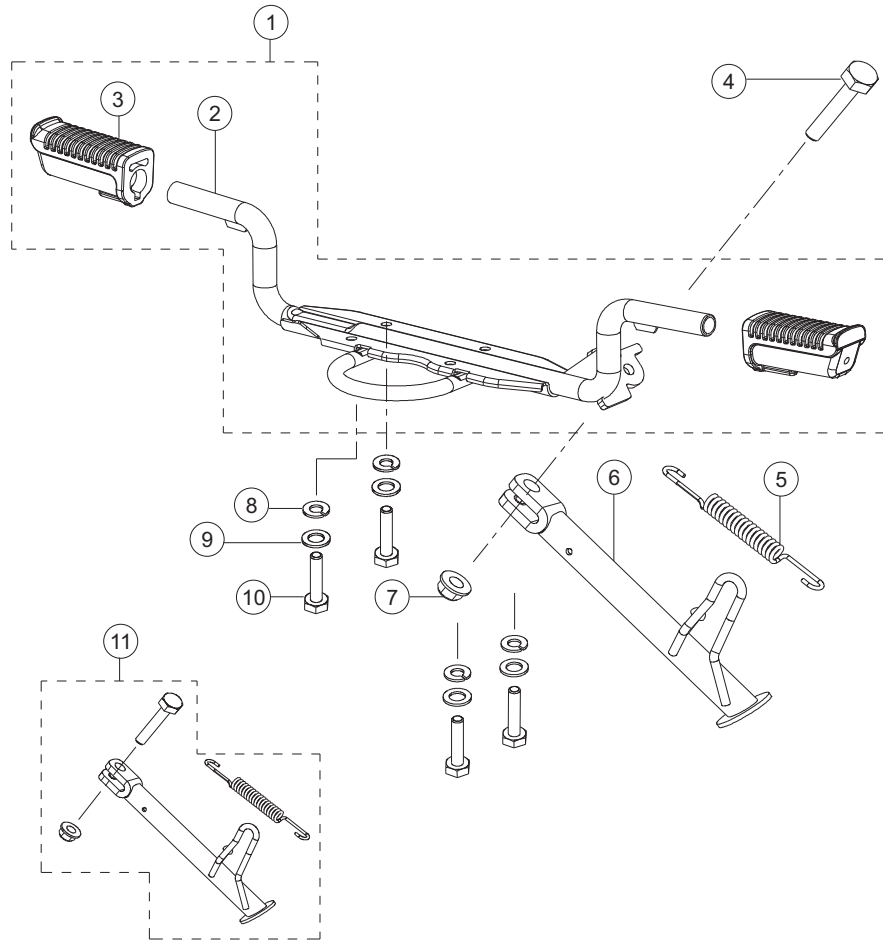
FRAME ASSEMBLY

FIG. No. 15

FRAME ASSEMBLY

REF. NO.	PART NO.	DESCRIPTION	NO. OFF	REMARKS
			XL 100 KS	
19	410114700	CUP BOTTOM	1	
20	F123718	PIVOT PIN STAND	1	
21	409115000	STAND SPRING	1	
22	K101430	CUP TOP	1	
23	P6300010	CRAUSH GUARD COMP	1	
24	M1200840	HEX FLANGE BOLT M8x50	1	
25	0330318	WAVE SPRING WASHER M8	1	
26	G5200490	PUNCHED WASHER 8.5x16x1.2	1	
27	P6220210	SAREE GUARD COMP. L	1	
28	P6300020	HOLDER	1	
29	P1320920	KIT PILLION HANDLE REAR	1	

FIG. No. 16



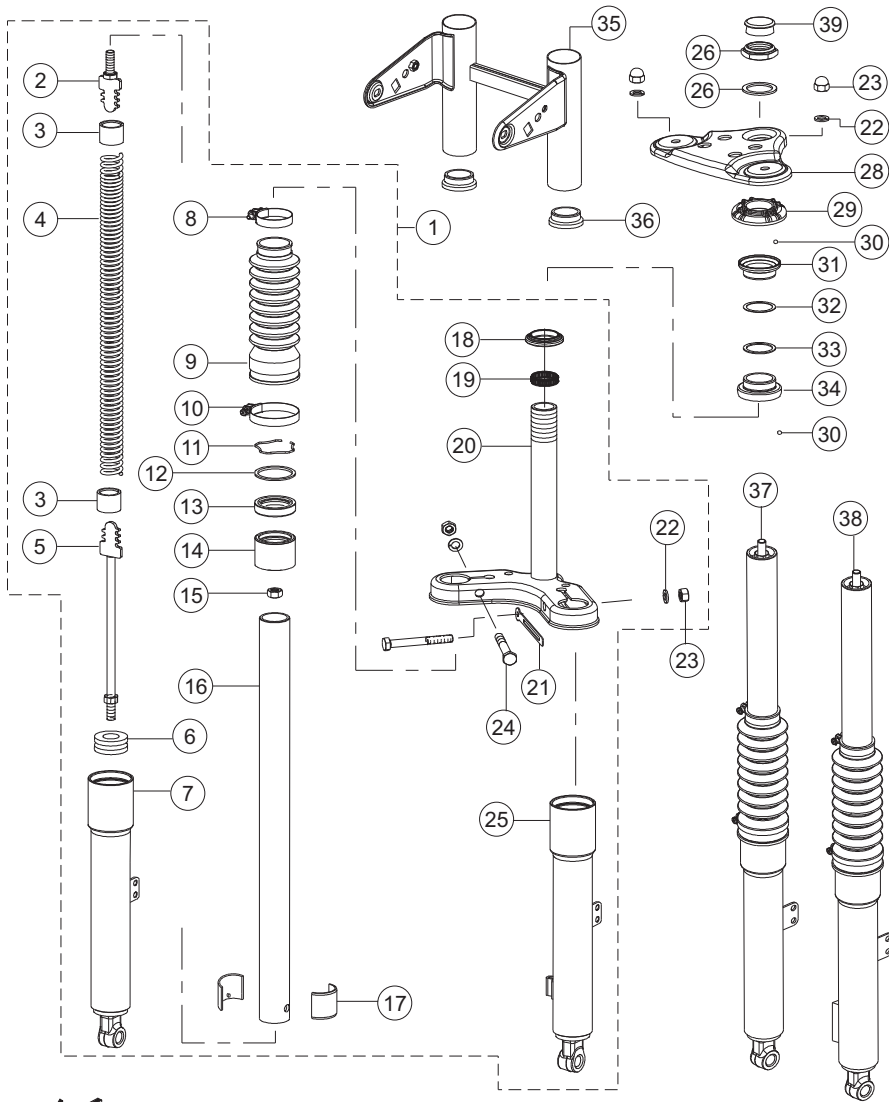
RIDER FOOTREST ASSEMBLY

FIG. No. 16

RIDER FOOTREST ASSEMBLY

REF. NO.	PART NO.	DESCRIPTION	NO. OFF		REMARKS
			XL 100	KS	
1	P6120130	RIDER FOOTREST SUBASSY.	1		
2	P6120120	FOOTREST COMP.	1		
3	N3122460	RUBBER RIDER FOOTREST	2		
4	N9200010	HEX BOLT M8x1.25x30	1		
5	N8121890	SPRING PROP STAND	1		
6	P6120710	PROP STAND COMP	1		
7	0334548	HEX NUT M8	1		
8	0330318	WAVE SPRING WASHER M8	4		
9	G5200490	PUNCHED WASHER 8.5x16x1.2	4		
10	420454700	HEX SCREW M8x20	4		
11	P6320100	PROP STAND KIT	1		

FIG. No. 17



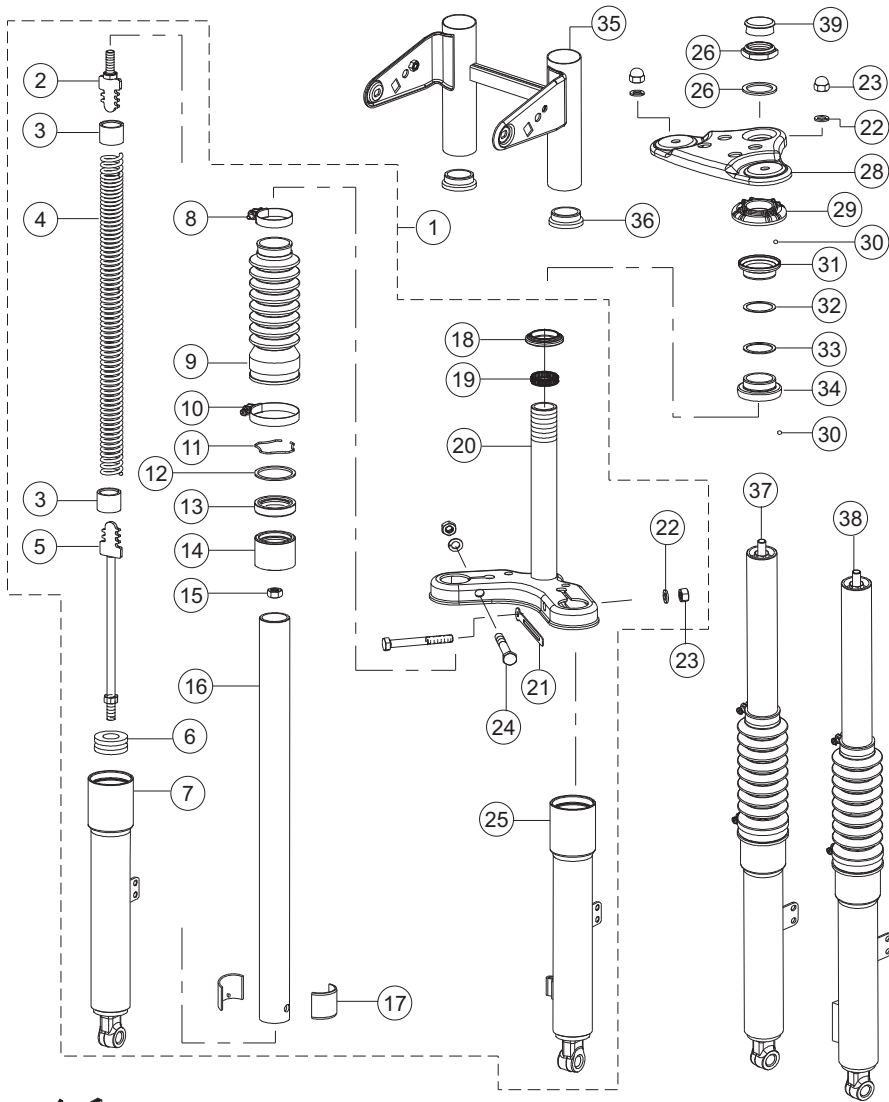
FRONT SUSPENSION ASSY. (HYDRAULIC FORK)

FIG. No. 17

FRONT SUSPENSION ASSY. (HYDRAULIC FORK)

REF. NO.	PART NO.	DESCRIPTION	NO. OFF		REMARKS
			XL 100	KS	
1	P3320040	FRONT FORK SUSPENSION - SIL GR	1		
2	T4100139	LOCK PLATE COMP. UPPER	2		
3	T4100300	GUIDE BUSH	4		
4	P100790	SPRING OIL FORK	2		
5	T4100110	SPRING ANCHOR COMP.	2		
6	T4100280	BUMP STOPPER	2		
7	T4100080	FORK TUBE COMP. LOWER RH	1		
8	A054190	HOSE CLIP 35	2		
9	P3100120	BELLOW DUST	2		
10	M100050	HOSE CLIP 48	2		
11	1257281	SNAP RING	2		
12	1257466	WASHER	2		
13	1257290	OIL SEAL	2		
14	7100610	SLIDE METAL	2		
15	0334548	HEX NUT M8	2		
16	T4100510	FORK TUBE COMP. UPPER	2		
17	T4100290	SLIDER	2		
18	410115700	CONE BOTTOM PLATED	4		
19	410073000	TOLLERENCE RING	1		
20	T4100200	CROWN PLATE COMP. BOTTOM	1		

FIG. No. 17



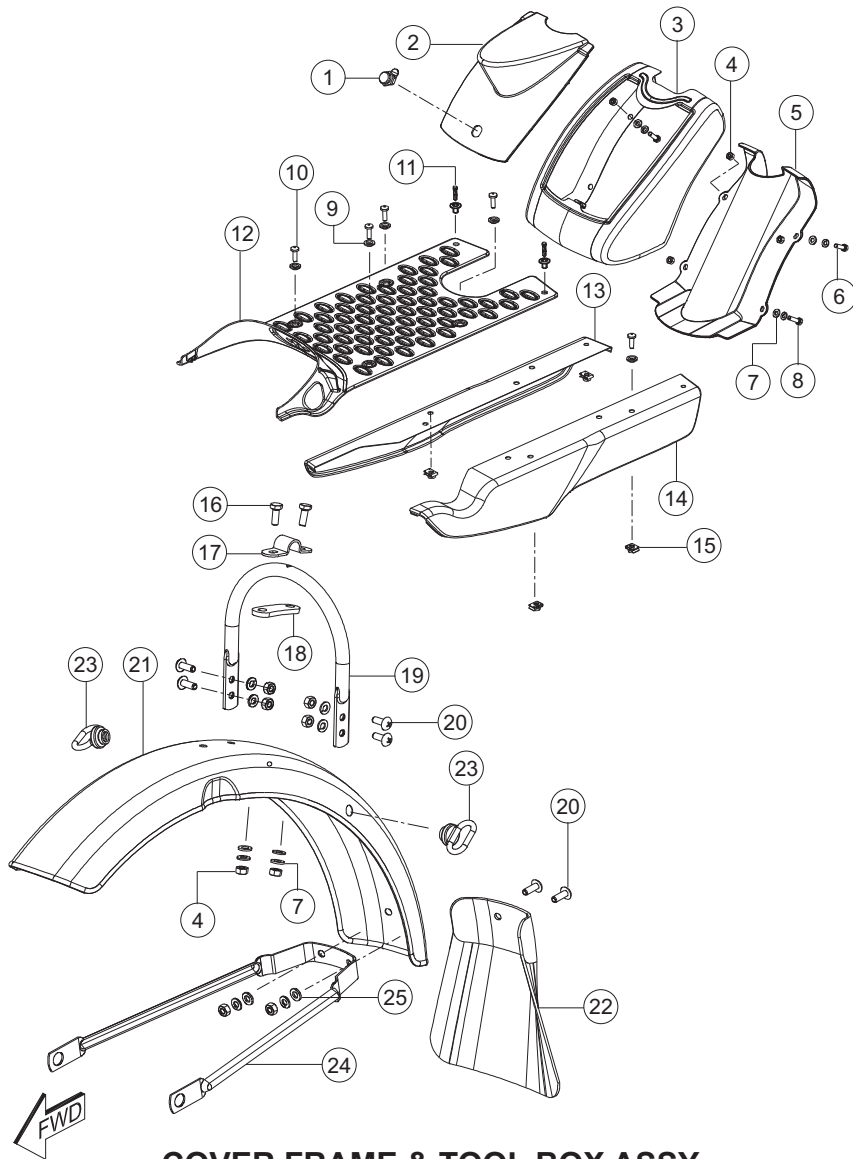
FRONT SUSPENSION ASSY. (HYDRAULIC FORK)

FIG. No. 17

FRONT SUSPENSION ASSY. (HYDRAULIC FORK)

REF. NO.	PART NO.	DESCRIPTION	NO. OFF		REMARKS
			XL 100	KS	
21	T4100600	STRAP CABLE	1		
22	0330318	WAVE SPRING WASHER M8	2		
23	0334548	HEX NUT M8 8	4		
24	420469700	HEX BOLT M8x65	2		
25	T4100080	FORK TUBE COMP. LOWER LH	1		
26	410058700	STEERING LOCK NUT	1		
27	410043700	SPECIAL WASHER	1		
28	P1000800D	CROWN PLATE TOP	1		
29	410013700	CONE TOP PLATED	1		
30	420402000	BALLS 5/32" (DIA 3.9)	52		
31	K101430	CUP TOP	1		
32	410055700	SHIM 26x32x1	1		
33	410056700	SHIM	1		
34	410114700	CUP BOTTOM PLATED	1		
35	P3100100	BRKT COMP. HEAD LAMP MTG.	1		
36	T4100550	PACKING	4		
37	P3320020	FORK LEG ASSY RH - SIL. GREY	1		
38	P3320030	FORK LEG ASSY LH - SIL. GREY	1		
39	410059000	CAP LOCK NUT	1		
40	P3320060	FRONT SUSPENSION KIT	1		

FIG. No. 18



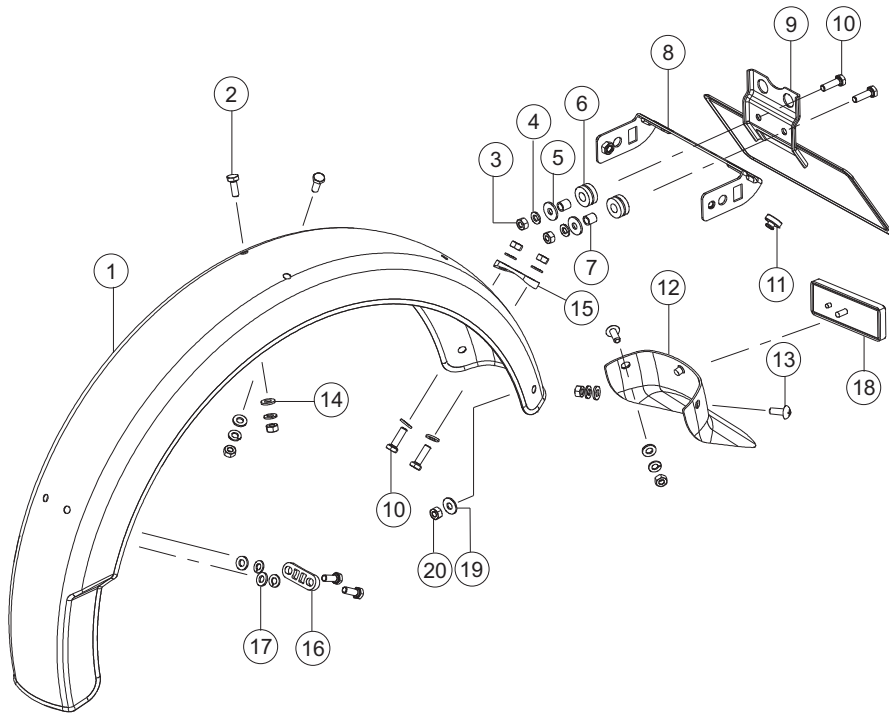
COVER FRAME & TOOL BOX ASSY.

FIG. No. 18

COVER FRAME & TOOL BOX ASSY.

REF. NO.	PART NO.	DESCRIPTION	NO. OFF		REMARKS
			XL 100	KS	
1	D046200	LOCK TOOL BOX	1		
2	P6220190	LID TOOL BOX	1		
3	—	TOOL BOX COMP.	1		Ref. P. No. 45
4	P1200060	HEX NUT M6	10		
5	P6220180	COVER TOOL BOX CTR RR	1		
6	M1200610	HEX SCREW M6x20	4		
7	P1200050	WAVE SPRING WASHER M6	12		
8	420001700	PUNCHED WASHER A6.6	4		
9	7130140	WASHER	6		
10	M1200670	CRR PAN HEAD SCREW M6x20	6		
11	A128730	SOCKET FLOOR MAT	2		
12	P6220140	FLOOR BOARD	1		
13	—	COVER FRAME RH	1		Ref. P. No. 45
14	—	COVER FRAME LH	1		Ref. P. No. 45
15	S1200700	RETAINER CLIP PANEL	4		
16	P1200070	HEX SCREW M6x16	2		
17	P1100090	BRKT STABILISER	1		
18	410019000	PAD STABILISER	1		
19	—	STABILISER TUBE	1		Ref. P. No. 45
20	0332275	CRR PAN HD SCREW M6x16	6		
21	—	FENDER FRONT	1		Ref. P. No. 45
22	P300050	MUDFLAP FRONT	1		
23	P6100030	CABLE GUIDE SPEEDO	2		
24	—	STAY MUDGUARD	1		Ref. P. No. 45
25	P1200120	PUNCHED WASHER	4		

FIG. No. 19



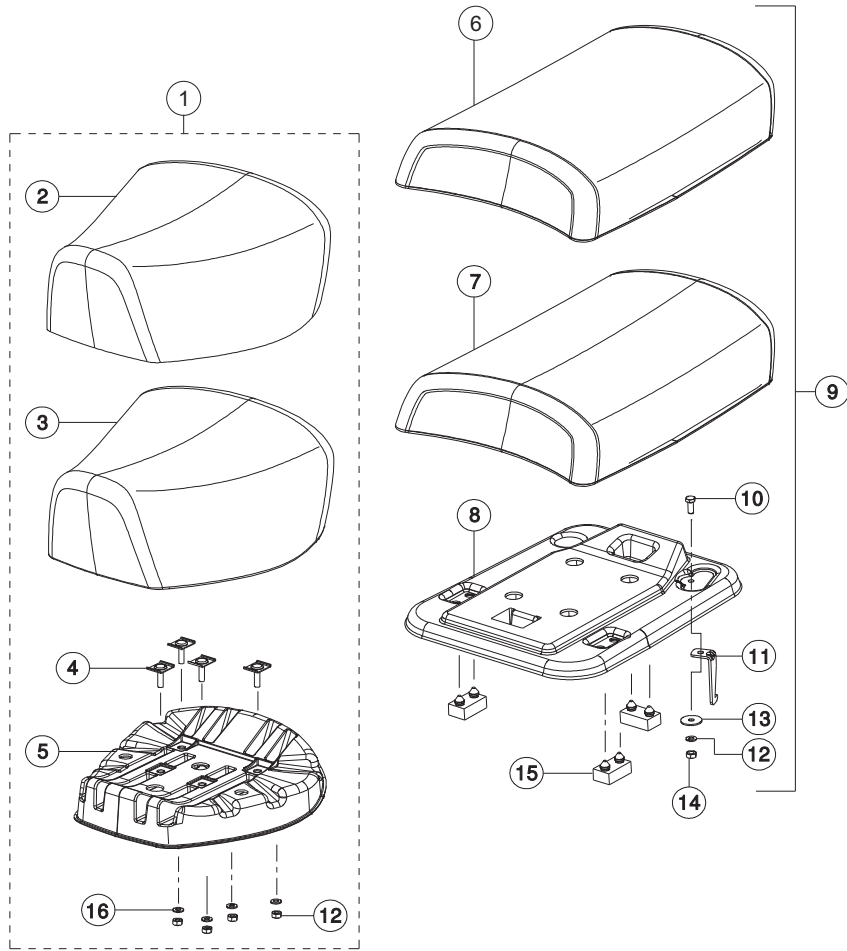
REAR FENDER ASSEMBLY

FIG. No. 19

REAR FENDER ASSEMBLY

REF. NO.	PART NO.	DESCRIPTION	NO. OFF	REMARKS
			XL 100 KS	
1	—	FENDER REAR	1	Ref. P. No. 45
2	P1200070	HEX SCREW M6x16	4	
3	P1200060	HEX NUT M6	4	
4	P1200050	WAVE SPRING WASHER M6	4	
5	0335928	PLAIN WASHER 18x6.5x1.6	4	
6	1228880	CUSHION RC LAMP	2	
7	N3160220	SPACER RC LAMP	2	
8	P3120160	BRKT TURN SIGNAL LAMP	1	
9	P121630	LICENCE PLATE COMP.	1	
10	M1200610	HEX SCREW M6x20	2	
11	412069000	TANK REST COMP TOP	1	
12	P6220500	MUDFLAP REAR	1	
13	0332275	CRR PAN HD SCREW M6x16	2	
14	420001700	PUNCHED WASHER A6.6	8	
15	412092000	PAD	1	
16	P121060	PAD FENDER REAR	1	
17	420001700	PUNCHED WASHER A6.6	2	
18	M7160120	REFLEX REFLECTOR ASSY.	1	
19	P1200140	PUNCHED WASHER 18x6.5x1.6	1	
20	420302700	HEX NUT M5	1	

FIG. No. 20



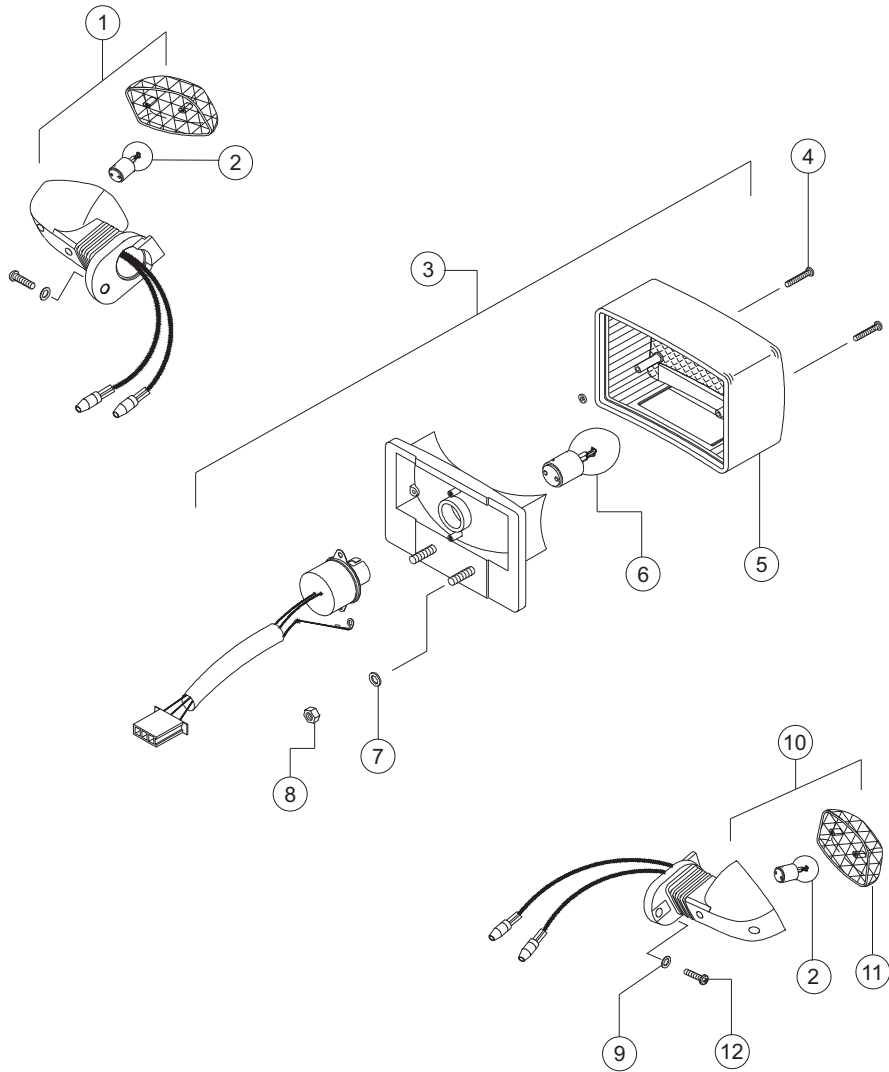
SEAT ASSEMBLY

FIG. No. 20

SEAT ASSEMBLY

REF. NO.	PART NO.	DESCRIPTION	NO. OFF	REMARKS
			XL 100 KS	
1	P6130020	SEAT COMP FRONT	1	
2	P6130050	COVER COMP SEAT FRONT	1	
3	P6130040	SEAT FOAM FRONT	1	
4	P6130100	BOLT PALTE FRONT	4	
5	P6130030	SEAT BASE FRONT	1	
6	P6130090	COVER COMP SEAT REAR	1	
7	P6130080	SEAT FOAM REAR	1	
8	P3130030	SEAT BASE REAR	1	
9	P6130060	SEAT COMP REAR	1	
10	420464700	HEX SCREW M6x16	1	
11	P3130240	SEAT LATCH	1	
12	P1200050	WAVE SPRING WASHER M6	5	
13	0335876	PUNCHED WASHER 6.5x24x1.6	1	
14	420305700	HEX NUTM6	1	
15	0138010	CUSHION	3	
16	P1200060	HEX NUT M6	4	

FIG. No. 21



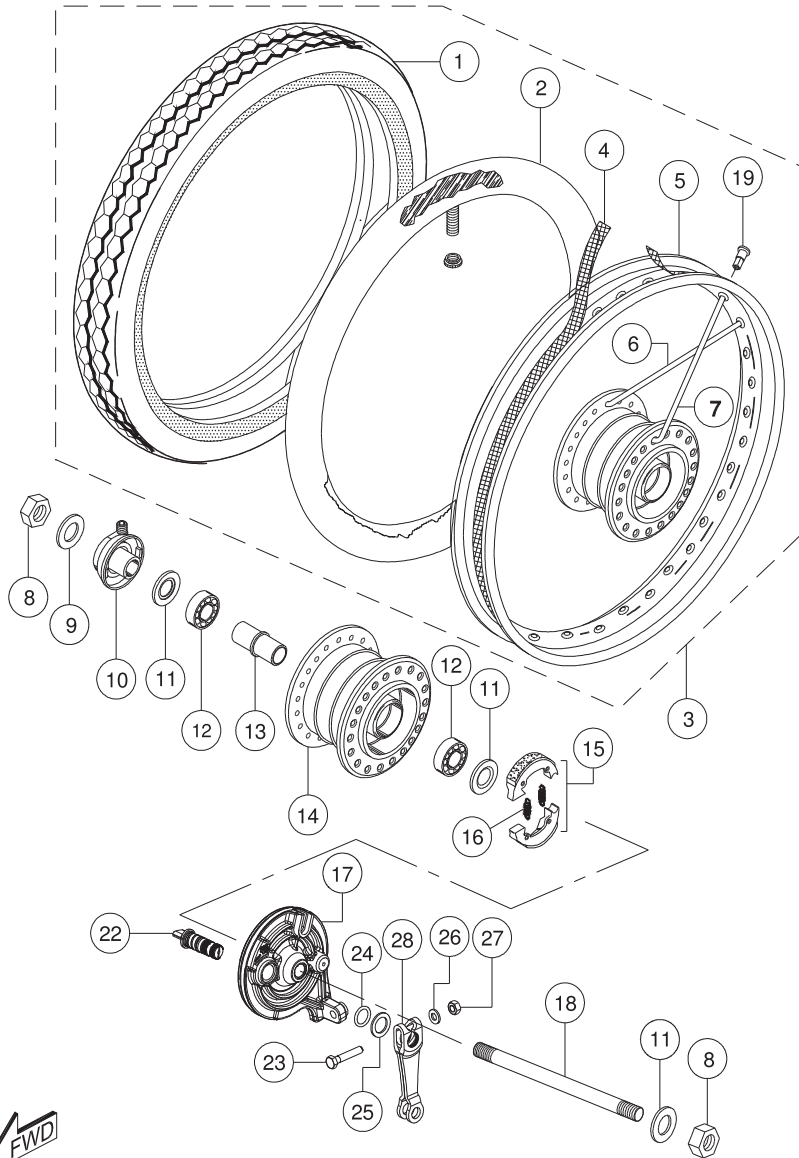
TAIL LAMP & TSL REAR ASSEMBLY

FIG. No. 21

TAIL LAMP & TSL REAR ASSEMBLY

REF. NO.	PART NO.	DESCRIPTION	NO. OFF		REMARKS
			XL 100	KS	
1	B1160080	LENS TURN SIGNAL REAR RH	1		
2	5227350	BULB 12V / 10W	1		
3	P6220520	LAMP ASSY. REAR COMP. 12V	1		
4	F200058	CRPH SCREW M5x35	2		
5	P320550	LENS R.C. LAMP	1		
6	K3160750	BULB TAIL LAMP 12V / 5W	1		
7	P1200050	WAVE SPRING WASHER M6	2		
8	P1200060	HEX NUT M6	2		
9	420001700	PUNCHED WASHER A6.6	2		
10	B1160150	LAMP ASSY. TSL REAR LH	1		
11	P1320830	LENS COMP. TSL	2		
12	P1200040	CRR PAN HD SCREW M6x16	2		

FIG. No. 22



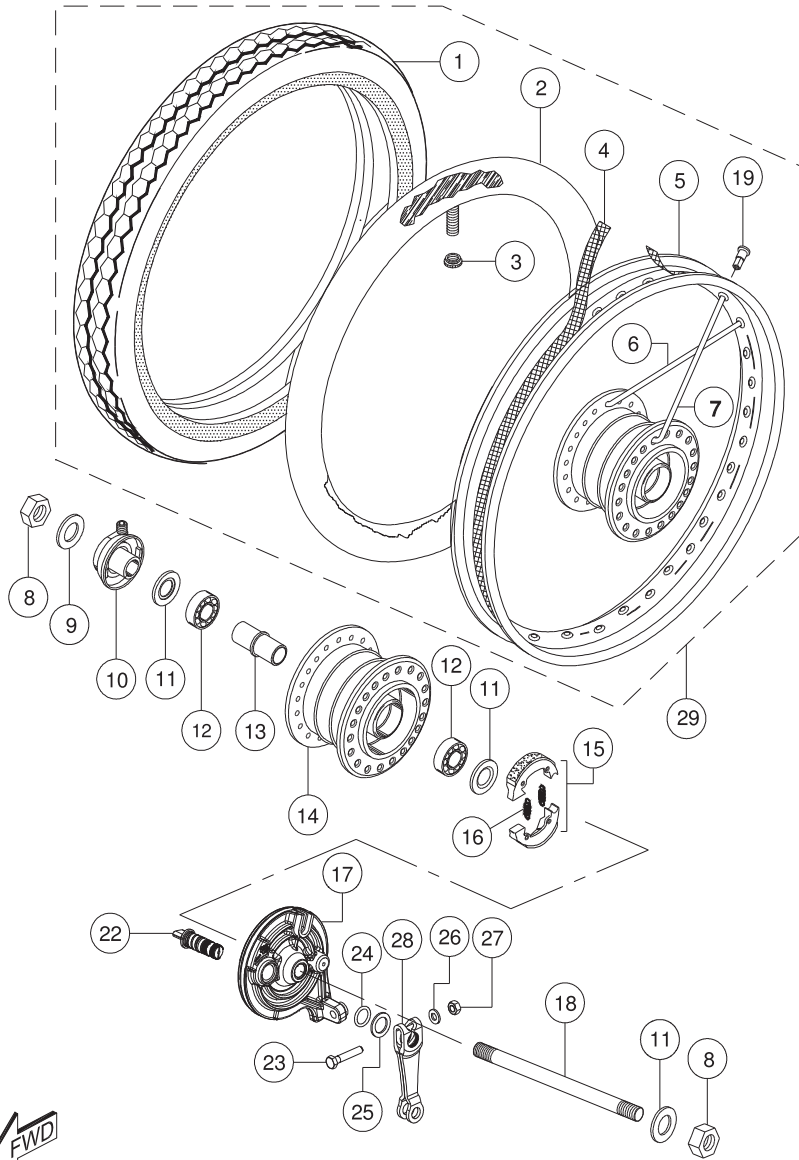
FRONT WHEEL ASSEMBLY

FIG. No. 22

FRONT WHEEL ASSEMBLY

REF. NO.	PART NO.	DESCRIPTION	NO. OFF	REMARKS
			XL 100 KS	
1	411199000	TYRE FRONT 2.5x16	1	
2	411341000	TUBE - BUTYL	1	
3	111227000	WHEELASSY. FRONT	1	
4	411016000	RIM TAPE	1	
5	111048700	WHEEL RIM 1.5 - 16	1	
6	411004000	SPOKE aid 2.98x159 LONG INNER	18	
7	411209000	SPOKE aid 2.98 - 159 LONG OUTER	18	
8	420313700	HEX NUT M12x1	1	
9	0335538	PUNCHED WASHERA12.5x22x2.3	1	
10	21204800	WHEEL HUB FRONT	1	
11	420661000	SEALING RING	2	
12	420602000	BALL BEARING 12x32x10	2	
13	411257000	SPACER BUSHASSY. FRONT	1	
14	211204800	WHEEL HUB FRONT	1	
15	P6110300	BRAKE SHOE SET FRONT	1	
16	411187000	SPRING BRAKE SHOE	2	
17	P6110220	BRAKE PANEL COMP.	1	
18	P110060	AXLE FRONT	1	

FIG. No. 22



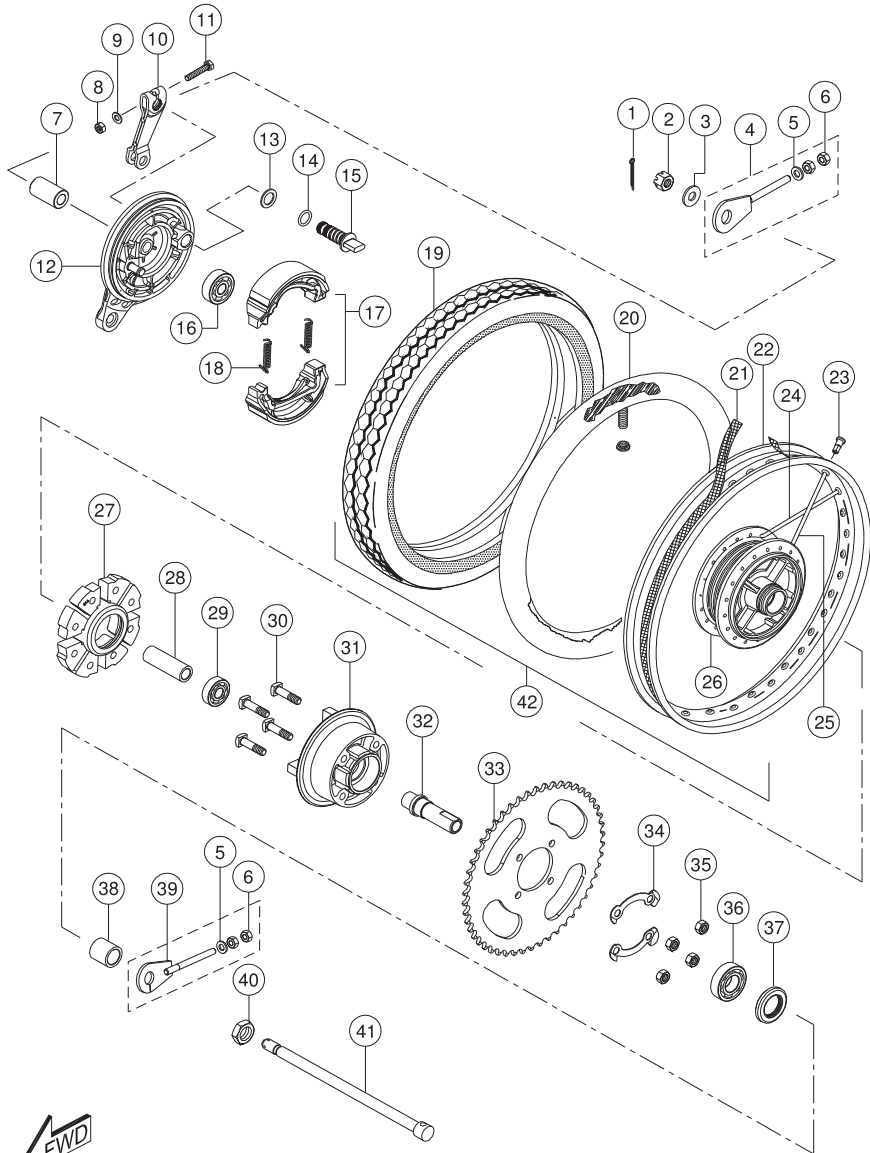
FRONT WHEEL ASSEMBLY

FIG. No. 22

FRONT WHEEL ASSEMBLY

REF. NO.	PART NO.	DESCRIPTION	NO. OFF	REMARKS
			XL 100 KS	
19	411005000	NIPPLE SPOKE	36	
20	A326070	SPOKE & NIPPLE ASSY INNER (SET)	1	
21	A326080	SPOKE & NIPPLE ASSY OUTER (SET)	1	
22	P6110010	CAM BRAKE	1	
23	0331248	HEX BOLT M6x1x33	1	
24	0178030	O RING BRAKE CAM	1	
25	0335698	PUNCHED WASHER 14.5x22x1.6	1	
26	420001700	PUNCHED WASHER A6.6	1	
27	420305700	HEX NUT M6	1	
28	P6110240	LEVER CAM FRONT	1	

FIG. No. 23



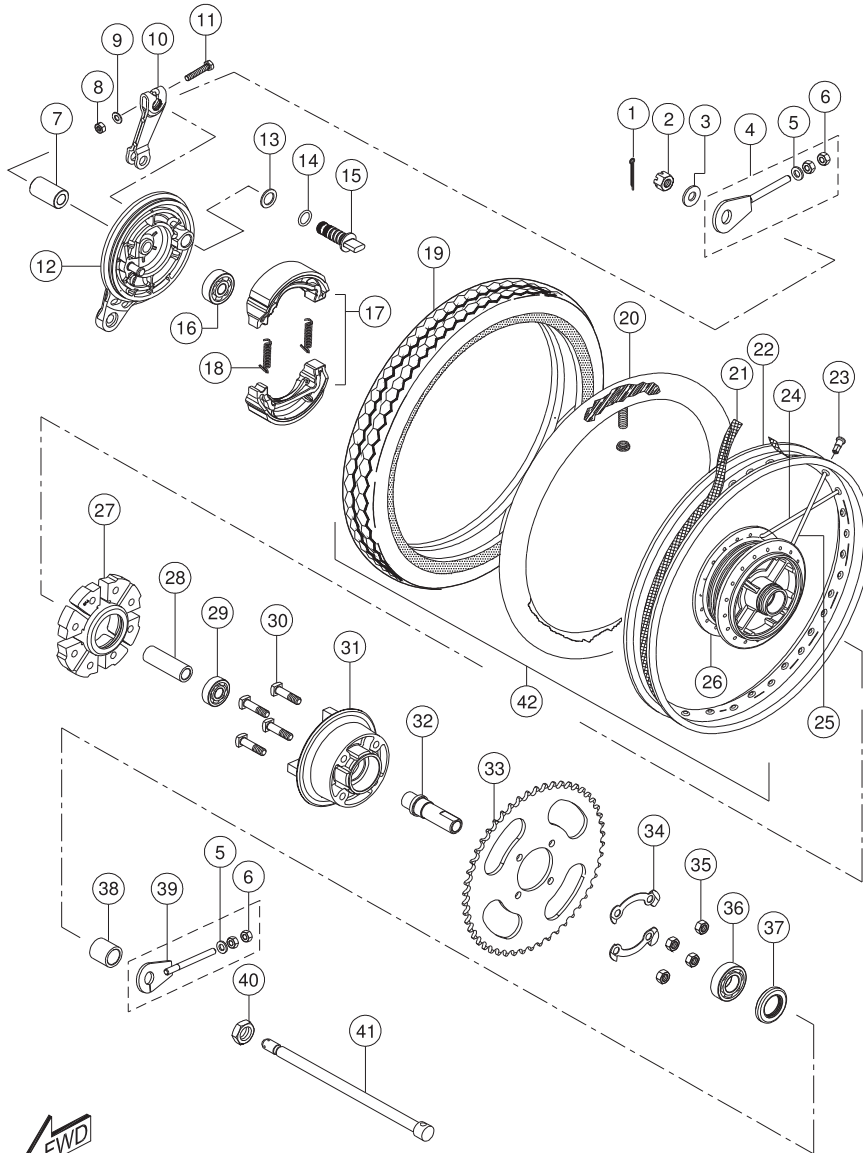
REAR WHEEL ASSEMBLY

FIG. No. 23

REAR WHEEL ASSEMBLY

REF. NO.	PART NO.	DESCRIPTION	NO. OFF	REMARKS
			XL 100 KS	
1	0330048	SPLIT PIN 2x20	1	
2	K200570	SLOTTED NUT M10x1.25	1	
3	0335628	PUNCHED WASHER	1	
4	P1090210	ADJUSTER ASSY. CHAIN RH NEW	1	
5	P1200060	HEX NUT M6	2	
6	0331308	BOLT CHAIN ADJUSTER	2	
7	P1110290	SPACER REAR AXLE RH	1	
8	420305700	HEX NUT M6x1	2	
9	420001700	PUNCHED WASHER	1	
10	N3110420	LEVER REAR BRAKE CAM	1	
11	0331248	HEX BOLT M6x33	1	
12	3171043	PANEL COMP. RR BRAKE	1	
13	0335698	WASHER	1	
14	0178030	O - RING BRAKE CAM	1	
15	0234038	CAM BRAKE	1	
16	0339480	BEARING 20x42x12	1	
17	3171090	BRAKE SHOE SET 110DIA	1	
18	3230515	SPRING BRAKE SHOE	2	
19	411018000	TYRE 2.50 - 16	1	
20	411341000	TUBE - BUTYL	1	
21	411016000	RIM TAPE	1	
22	P3110080	WHEEL RIM 1.5 x 16 NEW	1	

FIG. No. 23



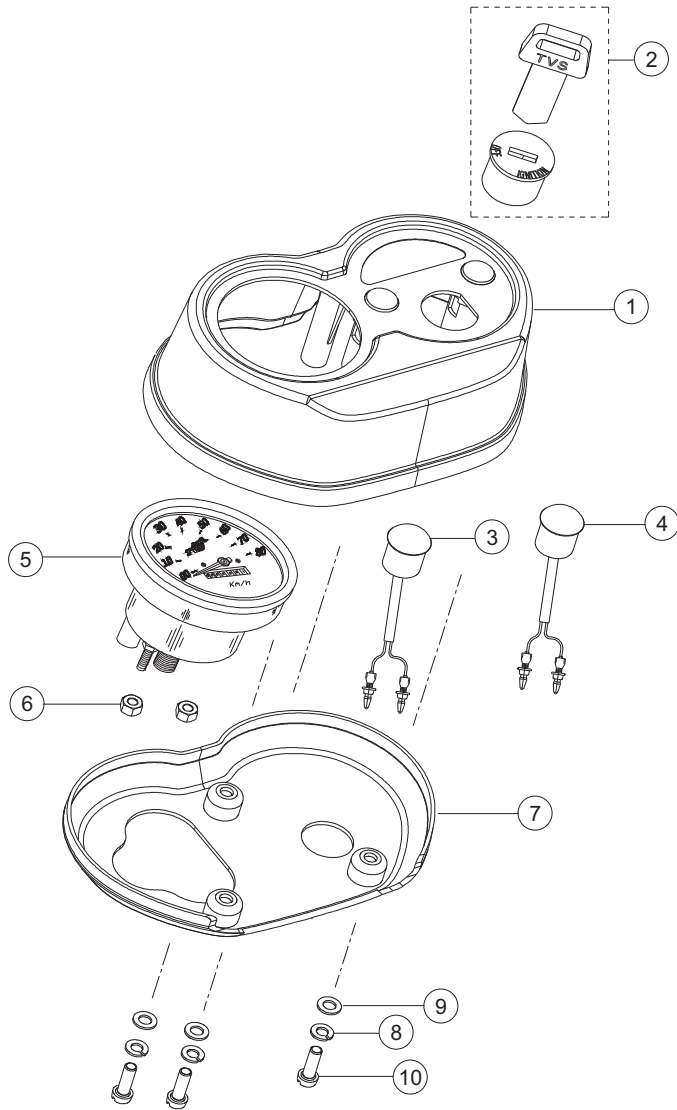
REAR WHEEL ASSEMBLY

FIG. No. 23

REAR WHEEL ASSEMBLY

REF. NO.	PART NO.	DESCRIPTION	NO. OFF	REMARKS
			XL 100 KS	
23	N3110200	NIPPLE DIA3.5 NEW	36	
24	P3110050	SPOKE REAR WHEEL INNER NEW	18	
25	P3110060	SPOKE REAR WHEEL OUTER NEW	18	
26	0181013	HUB COMPLETE REAR WHEEL M/C	1	
27	P110650	SHOCK ABSORBER RR WHEEL HUB	1	
28	1182190	SPACER REAR HUB BEARING	1	
29	0339100	BEARING 12x32x10	1	
30	0331318	BOLT REAR SPROCKET	4	
31	3181043	DRUM REAR SPROCKET	1	
32	3184038	SHAFT RR SPROCKET MTG DRUM	1	
33	P6110170	CHAIN WHEEL 50T	1	
34	N3110470	WASHER REAR SPROCKET	2	
35	0334548	HEX NUT M8x1.25	4	
36	N3200010	BEARING 12x37x12	1	
37	0259520	OIL SEAL REAR SPROCKET DRUM	1	
38	P1110300	SPACER REAR AXLE LH	1	
39	P1090200	ADJUSTER ASSY. CHAIN LH NEW	1	
40	J200030	HEX NUT M18	1	
41	P3110230	AXLE 12 x 244	1	
42	P3110220	WHEEL ASSY. REAR	1	
43	P3320070	SPOKE & NIPPLE KIT INNER	1	Ref. P. No.45
44	P3320080	SPOKE & NIPPLE KIT OUTER	1	Ref. P. No.45

FIG. No. 24



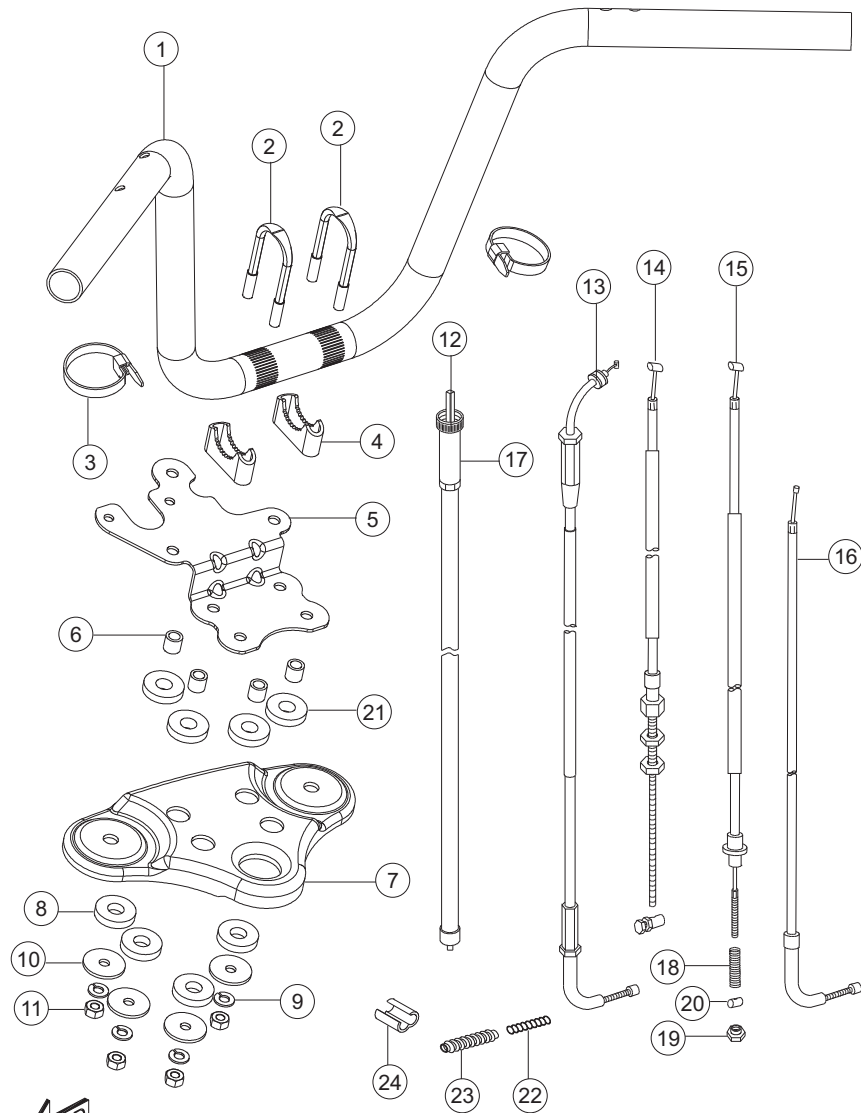
SPEEDO METER ASSEMBLY

FIG. No. 24

SPEEDO METER ASSEMBLY

REF. NO.	PART NO.	DESCRIPTION	NO. OFF	REMARKS
			XL 100 KS	
1	P1150050	HOUSING INSTRUMENT PANEL	1	
2	P1160130	ASSY. SWITCH IGNITION	1	
3	P1160100	INDICATOR ASSEMBLY, TSL NEW	1	
4	P1160090	INDICATOR ASSEMBLY M HI-BEAM NEW	1	
5	P1150030	SPEEDO METER 12 V NEW	1	
6	420302700	HEX NUT M5 8 ZNB	2	
7	B1150099	COVER INSTRUMENT PANEL NEW	1	
8	P1200150	WAVE SPRING WASHER M5 (Ref.A200140)	3	
9	420010700	PUNCHED WASHER A5.5 ZNC	3	
10	420465700	CH HD SCR M5x16 6.6 ZNB	3	

FIG. No. 25



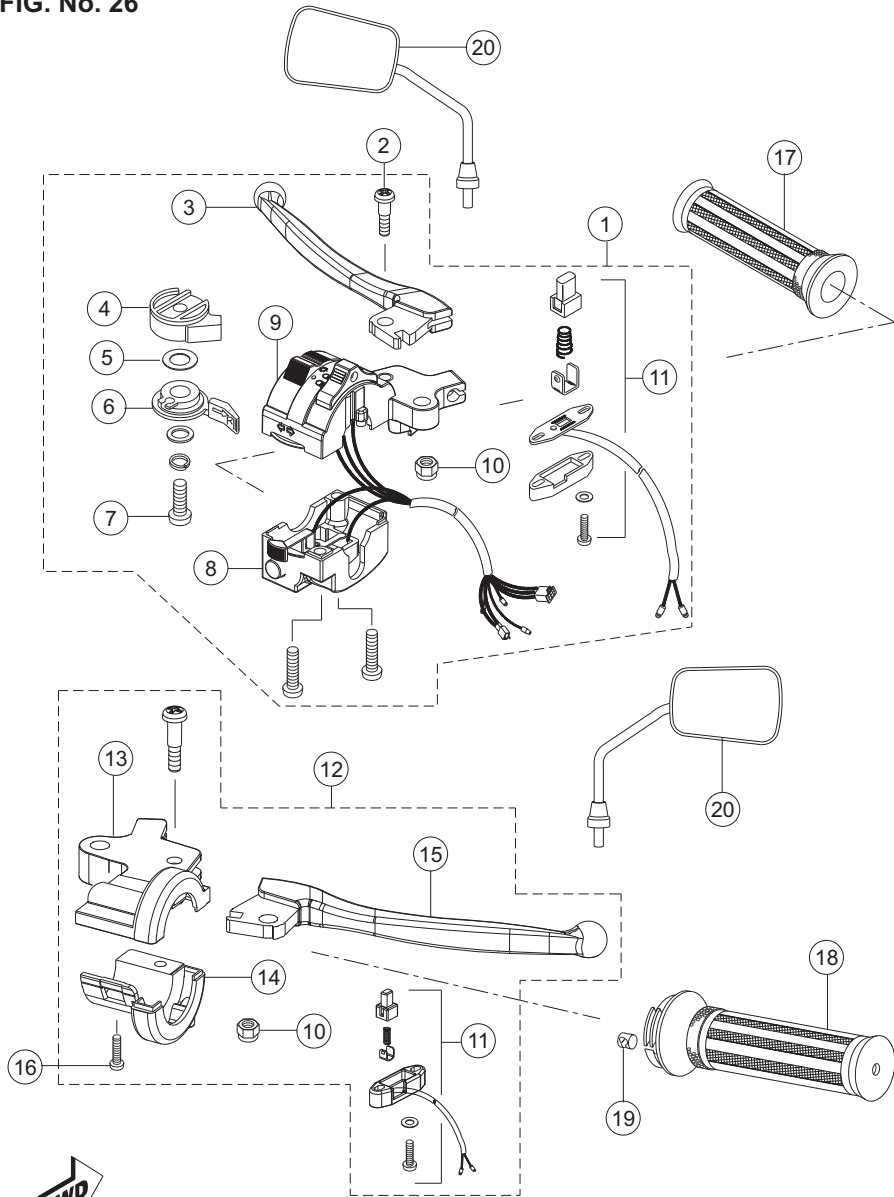
HANDLE BAR ASSEMBLY

FIG. No. 25

HANDLE BAR ASSEMBLY

REF. NO.	PART NO.	DESCRIPTION	NO. OFF	REMARKS
			XL 100 KS	
1	P1150090	HANDLE BAR NEW	1	
2	P150250	CLAMP BOLT	2	
3	N3160310	CLAMP HANDLE SWITCH HARNESS	2	
4	415005700	SUPPORT	2	
5	P1150010	BRKT INSTRUMENT PANEL MTG.	1	
6	P150280	SPACER BUSH	4	
7	T41004400D	CROWN PLATE COMP BOTTOM PAINTED	1	
8	P150270	DAMPER RUBBER LOWER	4	
9	P1200050	WAVE SPRING WASHER M6	4	
10	P1200060	HEX NUT M6	4	
11	412124700	SPL WASHER	4	
12	P320590	SPEEDO INNER CABLE	1	
13	P6170010	CABLE ASSY. THROTTLE	1	
14	P6170050	CABLE ASSY. BRAKE FRONT	1	
15	P6170030	CABLE ASSY BRAKE REAR	1	
16	P6170020	CABLE ASSY CHOKE 860.0 47.0	1	
17	P170080	CABLE ASSY SPEEDOMETER XL/HD BAS/UPG	1	
18	N3110360	SPRING REAR BRAKE ROD ADJUSTER	1	
19	S1111940	PIN FR CABLE LEVER ZNC	2	
20	0334268	NUT FR. BR. CABLE ADJ.-BR	2	
21	P150260	DAMPER RUBBER UPPER	4	
22	3250508	SPRING FR BRAKE CABLE	1	
23	0258130	DUST SEAL FR BRK CABLE	1	
24	P6170070	CLIP CABLE	1	

FIG. No. 26



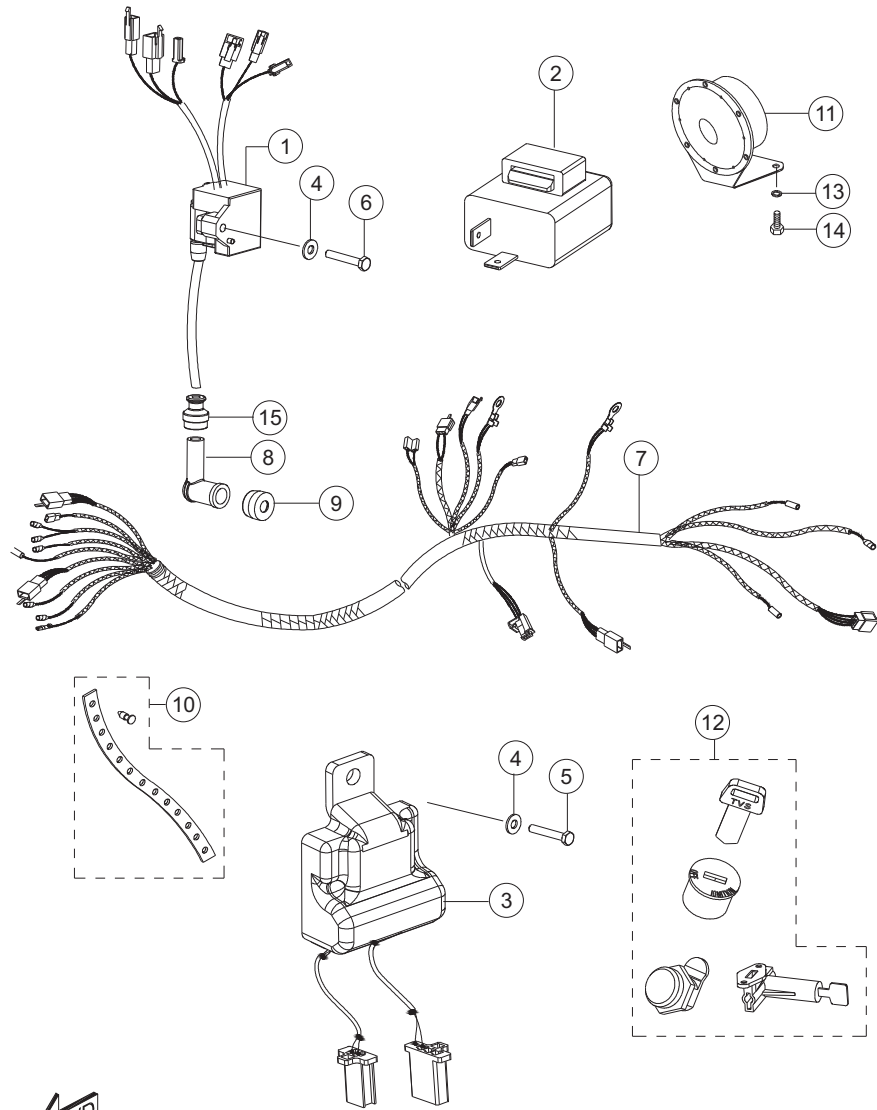
BRAKE LEVER ASSYEMBLY LH & RH

FIG. No. 26

BRAKE LEVER ASSEMBLY LH & RH

REF. NO.	PART NO.	DESCRIPTION	NO. OFF	REMARKS
			XL 100 KS	
1	P6150030	CONTROL LEVER ASSY LH	1	
2	3160218	LEVER SET SCREW	2	NS
3	P6150050	BRAKE LEVER LH	1	
4	3168610	BODY CHOCK LEVER	1	
5	3160424	ADJUSTER WASHER	1	
6	3168600	LEVER STARTER	1	
7	3160725	SET SCREW CHOKE	1	
8	P1150160	CASE UNDER LH	1	
9	P1150130	CASE UPPER LH	1	
10	41502100	U NUT M8x1.25	2	NS
11	—	SET BRAKE LIGHT SWITCH	2	
12	P6150040	CONTROL LEVER ASSY. RH	1	
13	P1150120	CASE UPPER RH	1	
14	P1150170	CASE UNDER RH	1	
15	P6150060	BRAKE LVER RH	1	
16	0332808	SCREW	2	
17	P150330	GRIP LH	1	
18	P150320	GRIP COMP. THROTTLE RH	1	
19	0254096	PIECE THROTTLE CABLE END	1	
20	P150510	MIRROR ASSY. LH, RH	2	

FIG. No. 27



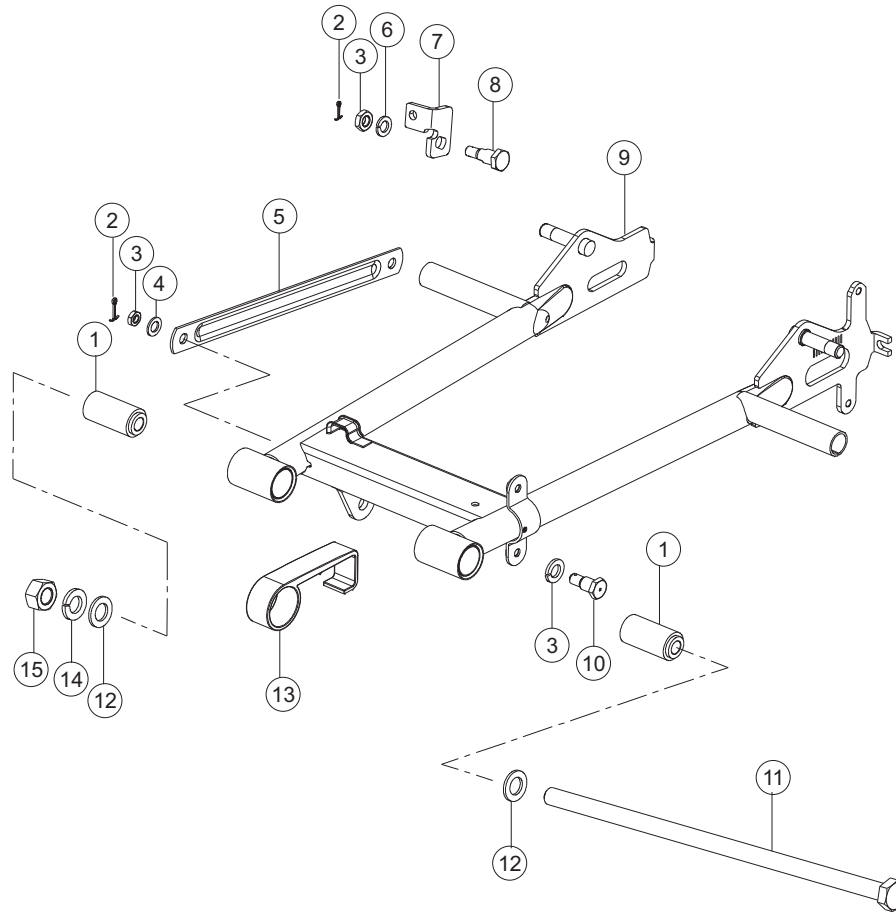
WIRING HARNESS & IGNITION COIL ASSY.

FIG. No. 27

WIRING HARNESS & IGNITION COIL ASSY.

REF. NO.	PART NO.	DESCRIPTION	NO. OFF		REMARKS
			XL 100	KS	
1	P6060020	COMBINED IDI & IGNITION COIL	1		
2	P6160040	AC FLASHER UNIT	1		
3	P6060030	REGULATOR CUM RECTIFIER	1		
4	P1200050	WAVE SPRING WASHER M6	2		
5	P1200070	HEX FLANGE BOLT M6x16	1		
6	M1200470	HEX FLANGE BOLT M6x30	1		
7	P6160010	WIRING HARNESS	1		
8	N8060170	SUPPRESOR CAP	1		
9	S1060310	SEAL SPARK PLUG	1		
10	P210650	CABLE ASSY. STRAPPING	2		
11	2162280L	HORN ASSY. 12V	1		
12	P3210160	LOCK SET XL HD	1		
13	P1200050	SPRING WASHER	2		
14	P200310	HEX SCREW	2		
15	R1060200	SEAL HT CORD	1		

FIG. No. 28



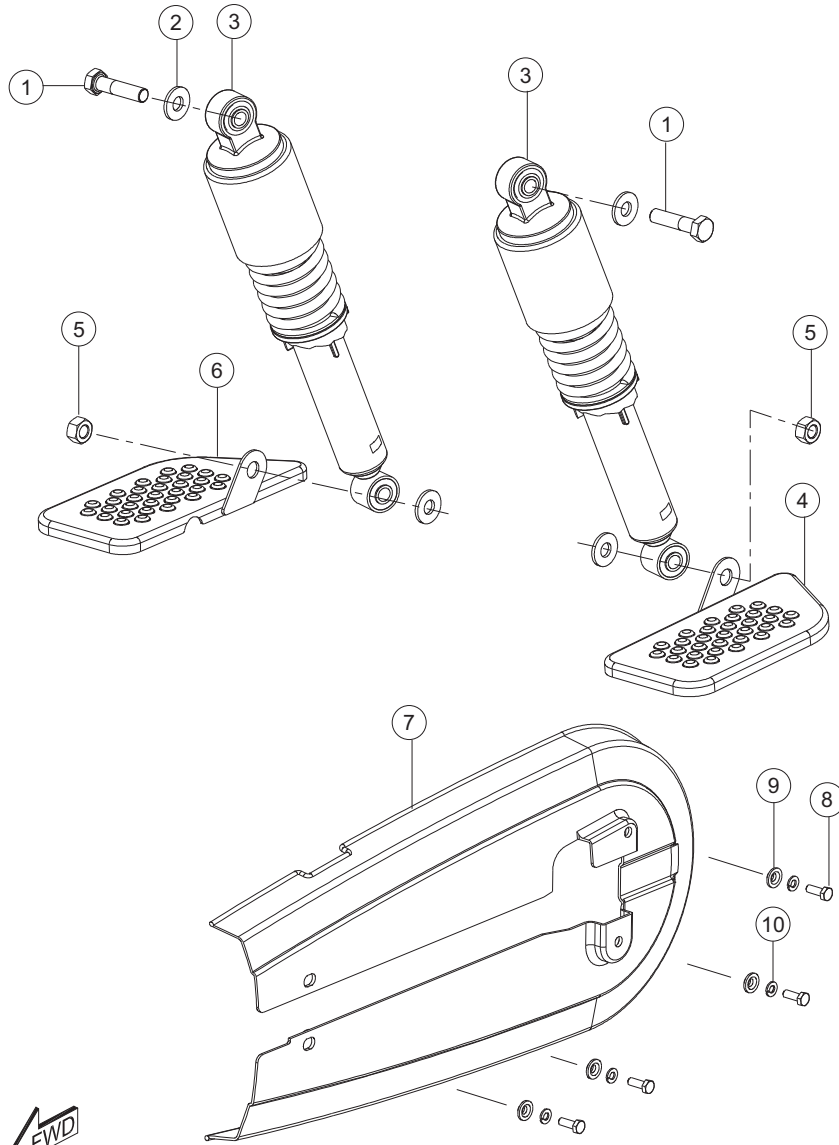
SWINGARM ASSEMBLY

FIG. No. 28

SWINGARM ASSEMBLY

REF. NO.	PART NO.	DESCRIPTION	NO. OFF	REMARKS
			XL 100 KS	
1	R1090420	SILENT BLOCK	1	
2	0330048	SPLIT PIN 2x20	1	
3	G5200310	PUNCHED WASHER 10.5x18x1.6	2	
4	0334218	HEX NUT M8x1.25	2	
5	P3090290	TORQUE LINK REAR	1	
6	0330318	WAVE SPRING WASHER M8	1	
7	J110270	ABUTMENT REAR BRAKE CABLE	1	
8	F113620	BOLT CABLE ABUTMENT	1	
9	P6320380	SWINGARM COMP. (WITH BUSH)	1	
10	0331348	BOLT TORQUE LINK REAR	1	
11	K6200060	HEX BOLT M10x250	1	
12	0335528	PUNCHED WASHER 10.5x10x1.6	2	
13	P090840	PAD CHAIN PROTECTION	1	
14	420053000	SPRING WASHER A10	1	
15	P200530	HEX NUT M10	1	

FIG. No. 29

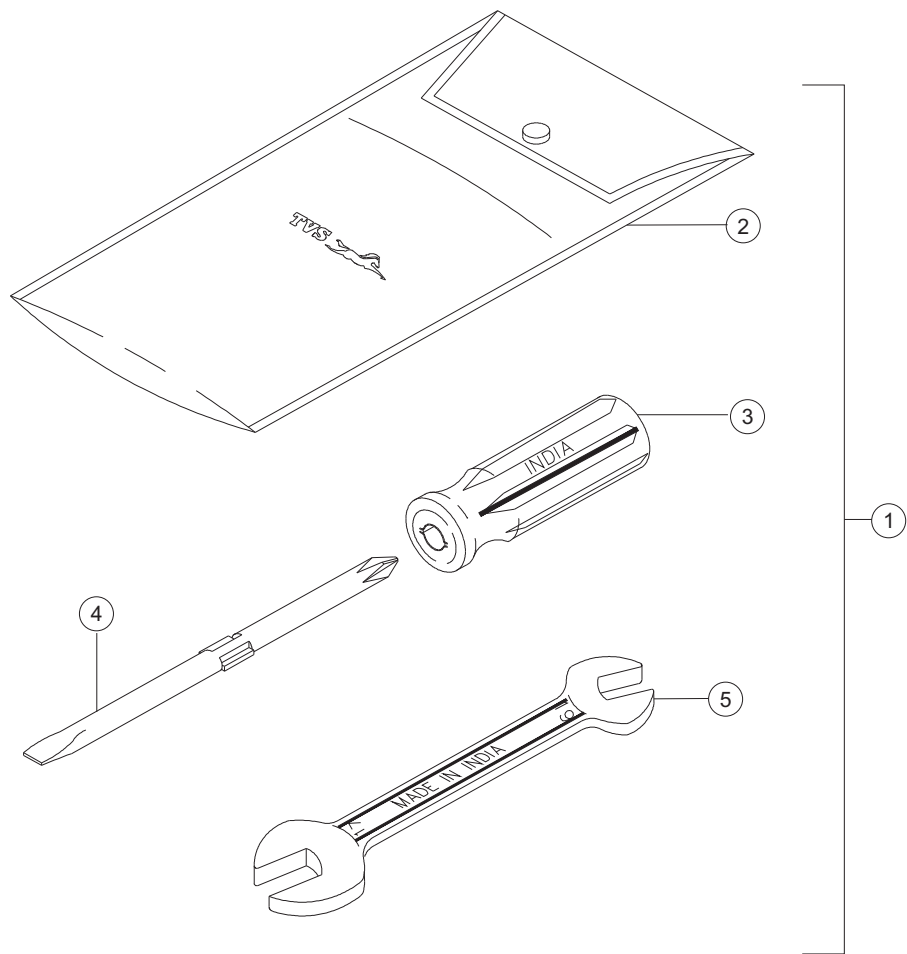


SHOCK ABSORBER ASSEMBLY

FIG. No. 29

SHOCK ABSORBER ASSEMBLY

REF. NO.	PART NO.	DESCRIPTION	NO. OFF	REMARKS
			XL 100 KS	
1	420496700	HEX BOLT M10x40	2	
2	0335628	PUNCHED WASHER 10.5x24x2.3	4	
3	P30900100D	SHOCK ABSORBER BLACK	2	
4	P3090210	PLATE COMP. FOOTREST LH	1	
5	P1200240	HEX NUT M10x1.25	2	
6	P3090240	PLATE COMP. FOOTREST RH	1	
7	P3090270	CHAIN COVER	1	
8	7130140	WASHER	4	
9	P1200070	HEX SCREW M6x16	4	
10	P1200050	WAVE SPRING WASHER M6	4	



TOOL KIT ASSEMBLY

TOOL KIT ASSEMBLY

REF. NO.	PART NO.	DESCRIPTION	NO. OFF	REMARKS
			XL 100 KS	
1	P6210030	TOOL KIT	1	
2	—	TOOLBAG	1	
3	—	GRIP DRIVER	1	
4	—	BIT STAR + NORMAL SCREW DRIVER	1	
5	—	DOUBLE ENDED SPANNER 17x19	1	
<u>SPECIAL TOOL</u>				
6	P6310020	MANDREL FOR OIL SEAL	1	

TVS XL 100 KIT & KIT CONTENTS

S. No.	KIT PART NO.	KIT DESCRIPTION	MODEL	KIT CONTENTS			
				S. NO.	PART NO.	DESCRIPTION	QTY
1	P6010110	CYLINDER HEAD ASSY. KIT	XL100	1	P6010020	CYLINDER HEAD COMP	1
				2	P6010100	CAMSHAFT COMP	1
				3	N2010340	SPRING VALVE INNER	2
				4	P6010210	VALVE INTAKE 500	1
				5	P6010220	VALVE EXHAUST 500	1
				6	M1010620	SEAL VALVE STEM OIL	2
				7	N2010350	SPRING VALVE OUTER	2
				8	K3010680	SEAT VALVE SPRING	2
				9	S1010320	COTTER VALVE	4
				10	N2011040	RETAINER VALVE SPRING	2
				11	K6010200	ARM COMP ROCKER - PEP+	2
				12	T4010760	SHAFT ROCKER ARM	2
				13	K3011090	STOPPER ROCKER SHAFT	1
				14	N3011780	SPARK PLUG	1
				15	P6010060	STOPPER CAMSHAFT	1
				2	P6030030	CRANKCASE KIT LH	XL100
2	P6030020	CRANKCASE MACHINING L	1				
3	P6030150	CRANKCASE KIT RH	XL100	1	P6030050	CRANKCASE MACHINING R	1
				2	420602000	BALL BEARING 12x32x10 - 6201	1
				3	N2080920	PIPE BREATHER	1
4	B5020100	PISTON & RING KIT STD	XL100	1	B5020060	PISTON STD	1
				2	P010680	PISTON PIN	1
				3	N5320440	RING SET PISTON STD 5PC	1
				4	N2200340	CIRCLIP PISTON PIN	2
5	N5320440	RING SET PISTON STD	XL100	1	N5010520	RING PISTON 1st	1
				2	N8020700	PISTON RING 2ND 51.00 CHROME PLATED	1
				3	N5010540	RING OIL PISTON	1
6	N8324660	RING SET PISTON 51.00 DIA I OS	XL 100	1	N5320030	RING PISTON 1ST I O/S - 0.25	1
				2	N8324240	RING PISTON BOTTOM I O/S	1
				3	N5320070	OIL RING SET PISTON I O/S	1

TVS XL 100 KIT & KIT CONTENTS

S. No.	KIT PART NO.	KIT DESCRIPTION	MODEL	KIT CONTENTS			
				S. NO.	PART NO.	DESCRIPTION	QTY
7	P6320070	PISTON & RING KIT I OS	XL 100	1	P6320210	PISTON DIA I OS	1
				2	P010680	PISTON PIN	1
				3	N5320030	RING PISTON 1st I OS	1
				4	N8324240	PISTON RING 2ND I OS	1
				5	N5320070	RING OIL PISTON I OS	1
				6	B5020140	CIRCLIP PISTON PIN	2
8	P6320080	PISTON & RING KIT II OS	XL 100	1	P6320200	PISTON II OS	1
				2	P010680	PISTON PIN	1
				3	N5320040	RING PISTON 1st II OS	1
				4	N8324250	PISTON RING 2ND II OS	1
				5	N5320080	RING OIL PISTON II OS	1
				6	B5020140	CIRCLIP PISTON PIN	2
9	N8324670	RING SET PISTON 51.00 DIA II OS	XL 100	1	N5320040	RING SET PISTON 11 O/S (TOP)	1
				2	N8324250	RING PISTON BOTTOM II O/S	1
				3	N5320080	OIL RING SET PISTON II O/S (TOP)	1
10	P6320120	KIT OIL SEAL	XL 100	1	T4080540	OILSEAL 17296 TYPE-A	2
				2	K3200640	OILSEAL 17x26x6 MAGNETO - PEP	1
				3	N2200550	OIL SEAL CRANKSHAFT R	1
11	P6320110	CYLINDER BLOCK PISTON KIT	XL 100	1	P6010040	CYLINDER BLOCK	1
				2	P6010120	GASKET CYLINDER HEAD	1
				3	P6010130	GASKET CYLINDER	1
				4	B5020100	PISTON ASSY.DIA	1
12	P6320130	KIT MAJOR GASKET ENGINE	XL 100	1	P6010160	GASKET TENSIONER ADJ	1
				2	P6010120	GASKET CYL HEAD	1
				3	P6010130	GASKET CYLINDER	1
				4	P6030070	GASKET CLUTCH COVER	1
				5	R1020310	GASKET COVER CENTRIFUGAL FILTER	1
				6	P6030060	GASKET CRANKCASE	1
				7	P6040040	GASKET PIPE INTAKE	1
				8	T4050180	GASKET PIPE EXHAUST	1
				9	N3140120	GASKET OIL LEVEL PLUG	2

TVS XL 100 KIT & KIT CONTENTS

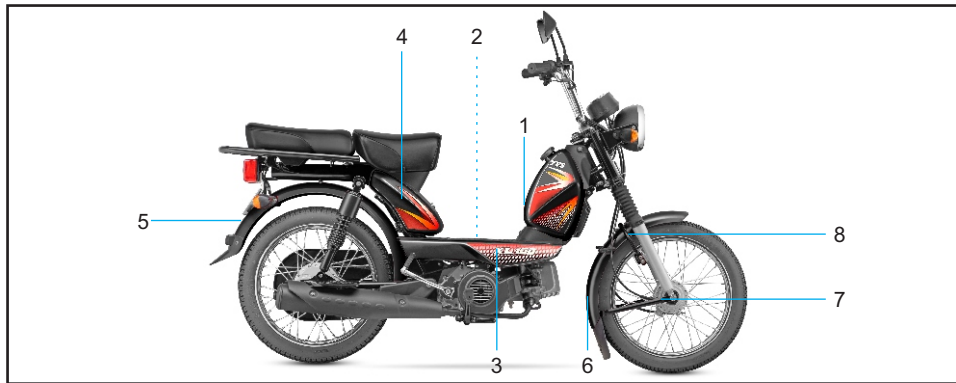
S. No.	KIT PART NO.	KIT DESCRIPTION	MODEL	KIT CONTENTS			
				S. NO.	PART NO.	DESCRIPTION	QTY
13	P6320140	KIT CHAIN & SPROCKET	XL 100	1	P6080090	SPROCKET ENGINE	1
				2	P6110160	CHAIN ASSY 104	1
				3	P6110170	SPROCKET RR WHEEL 42 52 68 N	1
				4	N3080250	LOCK PLATE SPROCKET	1
				5	N3110470	WASHER REAR SPROCKET	2
14	P6320180	KIT KICK STARTER	XL 100	1	N5081330	RATCHET KICK STARTER	1
				2	P6080260	LIFTER RATCHET	1
				3	N5081370	SPRING KICK STARTER	1
				4	P6080119	SHAFT KICK STARTER	1
				5	N5081280	GUIDE KICK STARTER SPRING	1
				6	P6080130	SPRING KICK STARTER RATCHET	1
				7	K3200880	SHIM 17x24x0.5	1
15	P6320380	SWING ARM WITH 2 SILENT BLOCKS	XL 100	1		SWINGARM COMP with Bush	1
16	P6320160	KIT VALVE	XL 100	1	P6010210	VALVE INTAKE 500	1
				2	P6010220	VALVE EXHAUST 500	1
				3	M1010620	SEAL VALVE STEM OIL	2
17	P6320170	KIT CONNECTING ROD	XL 100	1	R1020539	CONNECTING ROD MACHINED	1
				2	N2200010	NEEDLE CAGE STAR CITY 110CC	1
				3	N3020120	CRANK PIN 26.00 42.00 H	1
18	P6320190	KIT PIPE INTAKE	XL 100	1	P6040020	PIPE INTAKE COMP	1
				2	K3040180	O-RING PIPE INTAKE	1
				3	P080700	SPECIAL HEX NUT	2
				4	M1200900	HEX FLANGE NUT M6	2
				5	P6040040	GASKET PIPE INTAKE	1
19	P6320150	KIT MINOR GASKET	XL 100	1	P6010160	GASKET TENSIONER ADJ	1
				2	P6010120	GASKET CYL HEAD	1
				3	P6010130	GASKET CYLINDER	1
				4	T4050180	GASKET PIPE EXHAUST	1
20	P6320370	KIT CARBURETTOR FLOAT	XL 100	1	N8320500	FLOAT	1
				2	N8320490	PIN FLOAT	1
				3	P6320320	PETROL STOP NEEDLE	1
				4	N8320440	GASKET- FLOAT CHAMBER	1

TVS XL 100 KIT & KIT CONTENTS

S. No.	KIT PART NO.	KIT DESCRIPTION	MODEL	KIT CONTENTS			
				S. NO.	PART NO.	DESCRIPTION	QTY
21	P6320360	CARBURETTOR MINOR	XL 100	1	P6320230	MAIN JET	1
				2	P6320270	SLOW JET	1
				3	P6320280	NEEDLE JET HOLDER	1
				4	N8320440	GASKET- FLOAT CHAMBER	1
24	P6320350	CARBURETTOR MAJOR	XL 100	1	P1320600	RETAINER DISC	1
				2	P1320530	CIRCLIP	1
				3	P6320290	SPRING JET NEEDLE	1
				4	P6320230	MAIN JET	1
				5	P6320270	SLOW JET	1
				6	P1320560	VALVE CONTROLLER	1
				7	N8320350	AIR ADJUSTER	1
				8	N8320440	GASKET- FLOAT CHAMBER	1
				9	P1320550	SPRING VALVE CONTROLLER	1
				10	N8320360	SPRING AIR ADJUSTER	1
				11	P6320440	THROTTLE VALVE	1
23	P3320070	SPOKES & NIPPLE KIT INNER - REAR (QD WHL)	XL100	1	P3110050	SPOKE REAR WHEEL INNER27250	18
				2	N3110200	NIPPLE DIA3.5 WHEEL SPOKE	18
24	P3320080	SPOKES & NIPPLE KIT OUTER - REAR (QD WHL)	XL100	1	P3110060	SPOKE REAR WHEEL OUTER	18
				2	N3110200	NIPPLE DIA3.5 WHEEL SPOKE	18
25	P321410	SPOKES & NIPPLE KIT	XL100	1	P3110060	SPOKE REAR WHEEL OUTER	18
				2	P3110050	SPOKE EAR WHEEL INNER27250	18
				3	N3110200	NIPPLE DIA3.5 WHEEL SPOKE	36
26	P1320060	HANDLE BAR DAMPER KIT (XL SUPER)	XL100	1	P150260	DAMPER RUBBER UPPER	4
				2	P150280	SPACER BUSH	4
				3	P150270	DAMPER RUBBER LOWER	4
27	P321260	BEARING KIT- FRONT XLS-ALL/REAR XLS OLD	XL100	1	420602000	BALL BEARING 12X32X10 - 6201	2
28	P3320120	REAR AXLE KIT - MAX	XL100	1	P3110230	AXLE OD 12 X 244	1
				2	K200570	N UUT 10 X 1.25 FLANGED	1
29	P321300	STEERING CONE KIT(XL, CHAMP, XL SUP, SPORT	XL100	1	410013700	CONE TOP PLATED	1
				2	K101430	CUP TOP	1
				3	420402000	BALLS DIA 5/32	52
				4	410114700	CUP BOTTOM PLATED	1
				5	410115700	CONE BOTTOM PLATED	1
				6	410073000	TOLERANCE RING	1

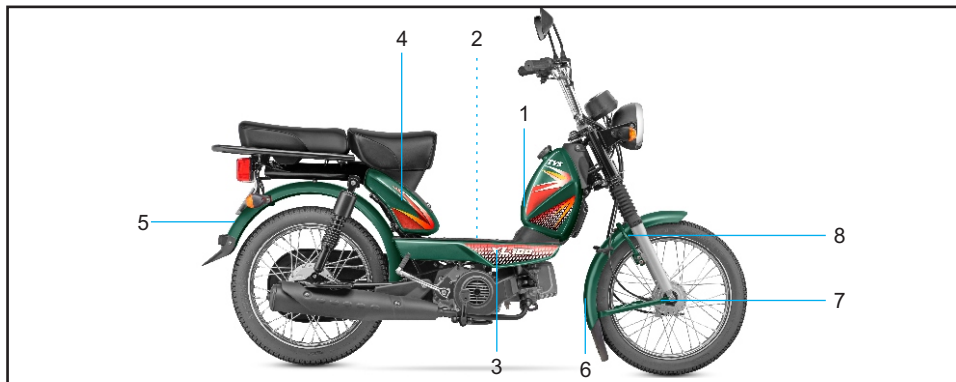
TVS XL 100 PAINTED PARTS

HG BLACK



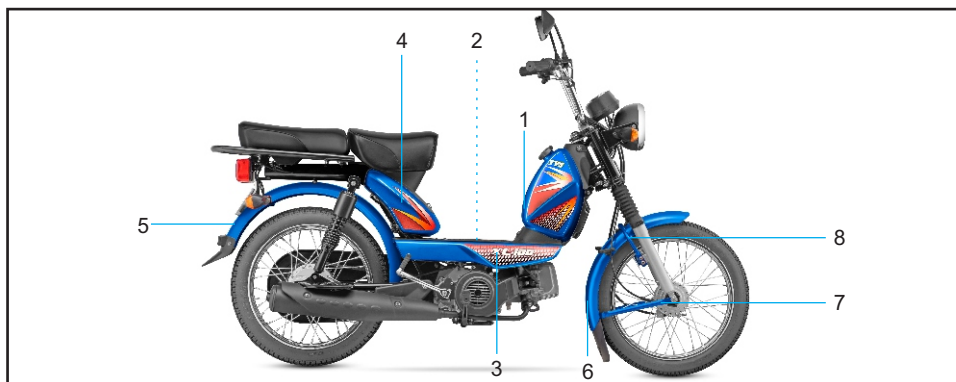
S.No.	PART NO	DESCRIPTION
1	P61400200D	FUEL TANK COMP+TAPESET HG BLACK
2	P62201100D	COVER FRAME COMP L+TAPESET HG BLACK
3	P62201200D	COVER FRAME COMP R BLACK+TAPESET HG BLACK
4	P62201500D	TOOL BOX COMP+TAPESET HG BLACK
5	P1205100D	FENDER REAR HG BLACK
6	P1003500D	FENDER FRONT HG BLACK
7	3100218000D	STAY MUDGUARD HG BLACK
8	T41003800D	STABLISER TUBE HG BLACK
9	P6220620	TAPESET

MOSS GREEN



S.No.	PART NO	DESCRIPTION
1	P61400207L	FUEL TANK COMP+TAPESET MOSS GREEN
2	P62201107L	COVER FRAME COMP L+TAPESET MOSS GREEN
3	P62201207L	COVER FRAME COMP R+TAPESET MOSS GREEN
4	P62201507L	TOOL BOX COMP+TAPESET MOSS GREEN
5	P1205107L	FENDER REAR MOSS GREEN
6	P1003507L	FENDER FRONT MOSS GREEN
7	3100218007L	STAY MUDGUARD MOSS GREEN
8	T41003807L	STABLISER TUBE MOSS GREEN
9	P6220620	TAPESET

METALLIC BLUE

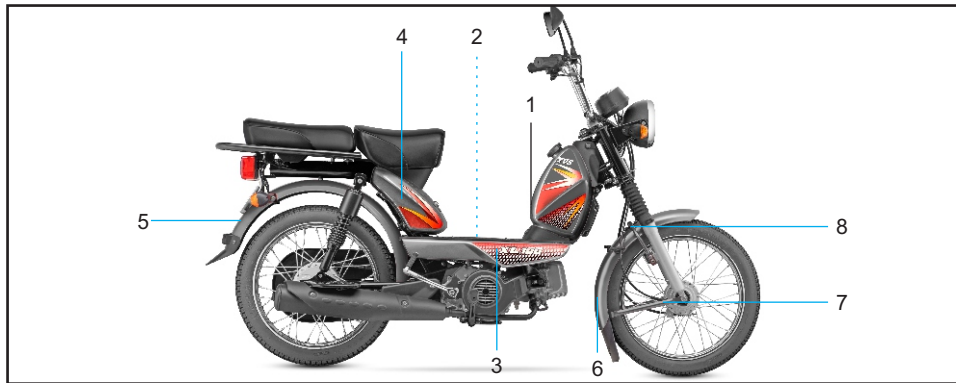


S.No.	PART NO	DESCRIPTION
1	P61400208B	FUEL TANK COMP+TAPESET DP MET BLUE
2	P62201108B	COVER FRAME COMP L+TAPESET DP MET BLUE
3	P62201208B	COVER FRAME COMP R+TAPESET DP MET BLUE
4	P62201508B	TOOL BOX COMP+TAPESET DP MET BLUE
5	P1205108B	FENDER REAR DEEP MET BLUE
6	P1003508B	FENDER FRONT DEEP MET BLUE
7	3100218008B	STAY MUDGUARD DEEP MET BLUE
8	T41003808B	STABLISER TUBE DEEP MET BLUE
9	P6220620	TAPESET

--- LINE INDICATES LH SIDE

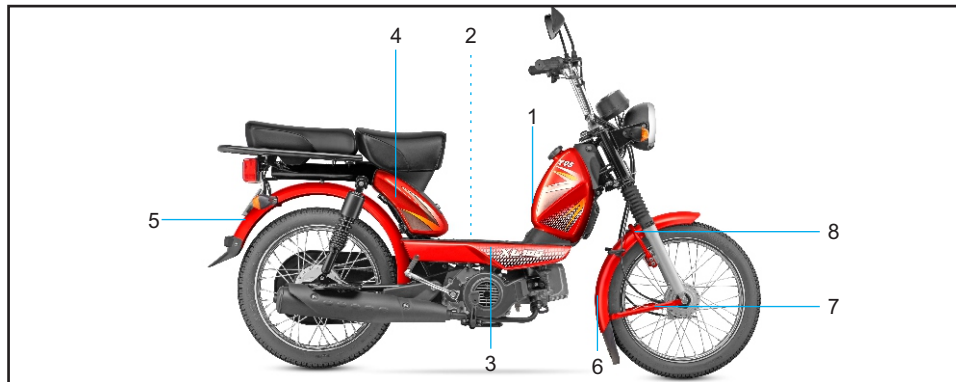
TVS XL 100 PAINTED PARTS

TITANIUM GREY



S.No.	PART NO	DESCRIPTION
1	P61400208D	FUEL TANK COMP+TAPESET TITANIUM GREY
2	P62201108D	COVER FRAME COMP L+TAPESET TITANIUM GREY
3	P62201208D	COVER FRAME COMP R+TAPESET TITANIUM GREY
4	P62201508D	TOOL BOX COMP+TAPESET TITANIUM GREY
5	P1205108D	FENDER REAR TITANIUM GREY
6	P1003508D	FENDER FRONT TITANIUM GREY
7	3100218008D	STAY MUDGUARD TITANIUM GREY
8	T41003808D	STABLISER TUBE TITANIUM GREY
9	P6220620	TAPESET

APACHE RED



S.No.	PART NO	DESCRIPTION
1	P61400202H	FUEL TANK COMP + TAPESET AP RED
2	P62201102H	COVER FRAME COMP L + TAPESET AP RED
3	P62201202H	COVER FRAME COMP R + TAPESET AP RED
4	P62201502H	TOOL BOX COMP+TAPESET AP RED
5	P1205102H	FENDER REAR AP RED
6	P1003502H	FENDER FRONT AP RED
7	3100218002H	STAY MUDGUARD AP RED
8	T41003802H	STABLISER TUBE AP RED
9	P6220630	TAPESET

--- LINE INDICATES LH SIDE

PART NUMBER INDEX

PART NO.	FIG. No.	REF. No.
0074010	04	3
0074010	05	7
0086010	10	11
0138010	20	15
0178030	22	24
0178030	23	14
0181013	23	26
0234038	23	15
0254096	26	20
0258040	08	1
0258130	25	23
0259520	23	37
0330028	15	18
0330048	23	1
0330048	28	2
0330164	08	7
0330174	08	14
0330208	08	3
0330308	14	16
0330318	15	25
0330318	16	8
0330318	28	6
0330318	17	22
0330408	12	3
0331058	14	14
0331248	22	23
0331248	23	11
0331268	08	6
0331308	23	6
0331318	23	30
0331348	28	10
0332275	10	18
0332275	18	20
0332275	19	13
0332808	06	7
0332808	26	16

PART NO.	FIG. No.	REF. No.
0333528	01	16
0333558	01	31
0334218	28	4
0334268	25	20
0334548	16	7
0334548	23	35
0334548	14	10
0334548	17	15
0334548	17	23
0335024	07	2
0335024	08	8
0335516	14	11
0335528	28	12
0335538	22	9
0335628	29	2
0335628	23	3
0335698	22	25
0335698	23	13
0335876	20	13
0335928	13	3
0335928	19	5
0339100	23	29
0339480	23	16
1182190	23	28
1228880	19	6
1257281	17	11
1257290	17	13
1257466	17	12
3160218	26	2
3160424	26	5
3160725	26	7
3168600	26	6
3168610	26	4
3171043	23	12
3171090	23	17
3181043	23	31

PART NO.	FIG. No.	REF. No.
3184038	23	32
3230515	23	18
3250508	25	22
5227350	21	2
7100610	17	14
7130140	18	9
7130140	29	8
8200120	15	10
41502100	26	10
111048700	22	5
111227000	22	29
211204800	22	14
2162280L	27	11
311325000	22	10
409115000	15	21
410013700	17	29
410019000	18	18
410043700	17	27
410055700	17	32
410056700	17	33
410058700	17	26
410059000	17	39
410073000	17	19
410114700	15	19
410114700	17	34
410115700	17	18
411004000	22	6
411005000	22	19
411016000	22	4
411016000	23	21
411018000	23	19
411173000	22	3
411187000	22	16
411199000	22	1
411209000	22	7
411257000	22	13

PART NO.	FIG. No.	REF. No.
411341000	22	2
411341000	23	20
412069000	19	11
412092000	19	15
412124700	25	11
415005700	25	4
420001700	07	21
420001700	15	9
420001700	18	8
420001700	19	14
420001700	19	17
420001700	21	9
420001700	22	26
420001700	23	9
420010700	24	9
420015700	15	17
420053000	28	14
420302700	19	20
420302700	24	6
420305700	20	14
420305700	22	27
420305700	23	8
420313700	22	8
420402000	17	30
420454700	16	10
420464700	20	10
420465700	14	15
420465700	24	10
420469700	17	24
420496700	29	1
420602000	22	12
420661000	22	11
409047000	01	12
420001700	12	4
420001700	14	3
420462700	04	1

PART NUMBER INDEX

PART NO.	FIG. No.	REF. No.
420602000	05	9
420702000	02	10
8200120	06	1
A054190	17	8
A128730	18	11
A326070	22	20
A326080	22	21
B5080410	04	7
B1150099	24	7
B1160080	21	1
B1160150	21	10
B1160180	14	18
B1160190	14	4
B5020100	02	11
B5070010	03	1
B5070020	03	2
B5080220	03	8
B5080360	07	6
C1200020	03	7
C1200020	07	14
D046200	18	1
F084088	08	2
F084100	08	4
F113620	28	8
F123718	15	20
F200058	21	4
G2081880	07	17
G2200970	07	5
G2200980	07	4
G5200310	28	3
G5200490	15	26
G5200490	16	9
J110270	28	7
J200030	23	40
K101430	15	22
K101430	17	31

PART NO.	FIG. No.	REF. No.
K130110	15	12
K140820	10	12
K200570	23	2
K3010430	02	17
K3010640	02	15
K3010680	01	6
K3011090	01	8
K3040180	01	11
K3040180	09	33
K3160750	21	6
K3200100	03	11
K3200180	04	12
K3200180	05	11
K3200640	05	10
K3200730	04	9
K3200760	01	18
K4080150	04	8
K6010200	01	19
K6040480	01	10
K6200060	28	11
K6200240	10	7
M100050	17	10
M1010490	01	36
M1010620	01	5
M1200440	04	5
M1200470	01	22
M1200470	27	6
M1200510	01	29
M1200510	04	6
M1200510	07	12
M1200520	11	9
M1200530	02	19
M1200530	06	13
M1200610	18	6
M1200610	19	10
M1200640	13	5

PART NO.	FIG. No.	REF. No.
M1200670	18	10
M1200770	06	9
M1200820	05	1
M1200820	06	3
M1200840	15	24
M1200890	12	8
M1200890	15	15
M1200900	01	14
M1200940	01	35
M7010810	03	10
M7160120	19	18
N2010340	01	4
N2010350	01	3
N2010960	01	38
N2011040	01	2
N2200150	07	9
N2200340	02	6
N2200490	02	18
N2200550	07	18
N3011780	01	20
N3040360	10	9
N3080250	07	13
N3110200	23	23
N3110360	25	18
N3110420	23	10
N3110470	23	34
N3122460	16	3
N3130100	15	8
N3140120	13	11
N3160210	14	1
N3160220	19	7
N3160310	25	3
N3200010	23	36
N3200220	13	12
N3200250	12	2
N5010320	01	33

PART NO.	FIG. No.	REF. No.
N5010400	01	34
N5030200	05	2
N5081280	08	9
N5081330	08	13
N5081370	08	12
N5200140	08	15
N5200160	05	5
N5200330	15	3
N8040340	11	7
N8040350	11	5
N8040620	11	6
N8060170	27	8
N8121890	16	5
N8200040	15	2
N8200060	01	37
N8200090	01	28
N8200750	02	8
N8320270	09	2
N8320350	09	18
N8320360	09	19
N8320370	09	20
N8320380	09	21
N8320440	09	22
N8320460	09	25
N8320490	09	31
N8320500	09	32
N8320730	09	4
N8320940	09	3
N8320950	09	6
N9041670	11	12
N9051860	10	17
N9142120	13	9
N9200010	16	4
P010680	02	7
P090840	28	13
P1000800D	17	28

PART NUMBER INDEX

PART NO.	FIG. No.	REF. No.
P100790	17	4
P1040170	11	4
P1040220	11	11
P1090200	23	39
P1090210	23	4
P1100090	18	17
P110060	22	18
P110650	23	27
P1110290	23	7
P1110300	23	38
P1150010	25	5
P1150030	24	5
P1150050	24	1
P1150090	25	1
P1150120	26	13
P1150130	26	9
P1150160	26	8
P1150170	26	14
P1160030	14	5
P1160090	24	4
P1160100	24	3
P1160130	24	2
P1200040	13	7
P1200040	14	2
P1200040	21	12
P1200050	11	8
P1200050	13	4
P1200050	15	14
P1200050	18	7
P1200050	19	4
P1200050	20	12
P1200050	21	7
P1200050	25	9
P1200050	27	4
P1200050	27	13
P1200050	29	10

PART NO.	FIG. No.	REF. No.
P1200060	15	13
P1200060	18	4
P1200060	19	3
P1200060	20	16
P1200060	21	8
P1200060	23	5
P1200060	25	10
P1200070	15	6
P1200070	18	16
P1200070	19	2
P1200070	27	5
P1200070	29	9
P1200110	13	8
P1200120	18	25
P1200140	06	4
P1200140	19	19
P1200150	06	6
P1200150	15	11
P1200150	24	8
P1200240	29	5
P120510	19	1
P121060	19	16
P121630	19	9
P1320500	09	15
P1320530	09	13
P1320550	09	16
P1320560	09	17
P1320600	09	10
P1320640	14	8
P1320650	14	6
P1320660	14	7
P1320670	14	13
P1320830	14	12
P1320830	21	11
P150250	25	2
P150260	25	21

PART NO.	FIG. No.	REF. No.
P150270	25	8
P150280	25	6
P150320	26	18
P150330	26	17
P150510	26	19
P160460	14	9
P170080	25	17
P200030	07	1
P200270	07	20
P200310	27	14
P200530	28	15
P210650	27	10
P300050	18	22
P30900100D	29	3
P3090210	29	4
P3090240	29	6
P3090270	29	7
P3090290	28	5
P3100100	17	35
P3100120	17	9
P3110050	23	24
P3110060	23	25
P3110080	23	22
P3110220	23	42
P3110230	23	41
P3120160	19	8
P3130030	20	8
P3130240	20	11
P3160020	14	17
P320050	09	24
P320110	09	5
P320330	09	8
P320540	14	19
P320550	21	5
P320590	25	12
P3210160	27	12

PART NO.	FIG. No.	REF. No.
P321420	07	23
P3300640	15	29
P3300650	15	30
P3320020	17	37
P3320030	17	38
P3320040	17	1
P3320060	17	40
P3320070	23	43
P3320080	23	44
P6010020	01	9
P6010040	02	3
P6010050	01	24
P6010060	01	27
P6010070	02	12
P6010080	02	14
P6010100	01	32
P6010120	02	1
P6010130	02	4
P6010150	02	13
P6010160	02	16
P6010180	01	21
P6010210	01	7
P6010220	01	25
P6020040	02	9
P6030030	04	4
P6030060	05	8
P6030070	07	8
P6030090	07	10
P6030150	05	6
P6040020	01	13
P6040030	09	1
P6040040	01	15
P6040050	10	1
P6040060	10	3
P6040070	10	5
P6040080	10	6

PART NUMBER INDEX

PART NO.	FIG. No.	REF. No.
P6040090	10	4
P6040100	10	10
P6040110	10	15
P6040140	11	10
P6040150	10	2
P6040160	10	13
P6040170	11	3
P6040180	11	2
P6040190	11	13
P6050020	12	1
P6050030	12	6
P6060010	06	11
P6060020	27	1
P6060030	27	3
P6070010	03	9
P6080010	07	19
P6080020	07	7
P6080050	08	5
P6080090	07	15
P6080119	08	10
P6080130	08	11
P6080150	07	3
P6080220	04	10
P6080240	05	3
P6080250	08	16
P6080260	04	2
P6100030	18	23
P6110010	22	22
P6110160	07	22
P6110170	23	33
P6110220	22	17
P6110240	22	28
P6110300	22	15
P6120110	15	1
P6120120	16	2
P6120130	16	1

PART NO.	FIG. No.	REF. No.
P6120170	15	16
P6120340	15	4
P6120350	15	7
P6120530	15	5
P6120710	16	6
P6130020	20	1
P6130030	20	5
P6130040	20	3
P6130050	20	2
P6130060	20	9
P6130080	20	7
P6130090	20	6
P6130100	20	4
P6140080	13	10
P6150030	26	1
P6150040	26	12
P6150050	26	3
P6150060	26	15
P6160010	27	7
P6160040	27	2
P6170010	25	13
P6170020	25	16
P6170030	25	15
P6170050	25	14
P6170070	25	24
P6180020	02	21
P6180050	06	8
P6180060	06	5
P6180070	06	2
P6180080	06	14
P6210030	30	1
P6220140	18	12
P6220180	18	5
P6220190	18	2
P6220200	13	1
P6220210	15	27

PART NO.	FIG. No.	REF. No.
P6220260	12	5
P6220500	19	12
P6220520	21	3
P6300010	15	23
P6300020	15	28
P6320050	06	12
P6320060	06	10
P6320070	02	11A
P6320080	02	11B
P6320100	16	11
P6320140	07	24
P6320220	09	14
P6320230	09	29
P6320260	09	27
P6320270	09	30
P6320280	09	28
P6320290	09	11
P6320300	09	12
P6320310	09	23
P6320320	09	26
P6320330	09	9
P6320380	28	9
P6320390	09	7
R1020309	03	6
R1020310	03	5
R1040460	10	8
R1060200	27	15
R1070590	03	12
R1090420	28	1
R1140440	10	16
R1200050	03	3
R1200060	03	4
R2040400	10	14
R2040400	11	1
S1010240	01	26
S1010250	01	23

PART NO.	FIG. No.	REF. No.
S1010320	01	1
S1060310	27	9
S1080409	04	11
S1111940	25	19
S1125320	01	39
S1200270	02	2
S1200700	18	15
S1200860	07	16
T140160	13	6
T4010760	01	30
T4050180	12	7
T4080540	05	4
T4080540	07	1
T4100080	17	7
T4100080	17	25
T4100110	17	5
T4100139	17	2
T4100200	17	20
T4100280	17	6
T4100290	17	17
T4100300	17	3
T4100440	25	7
T4100510	17	16
T4100550	17	36
T4100600	17	21
T4200150	01	17