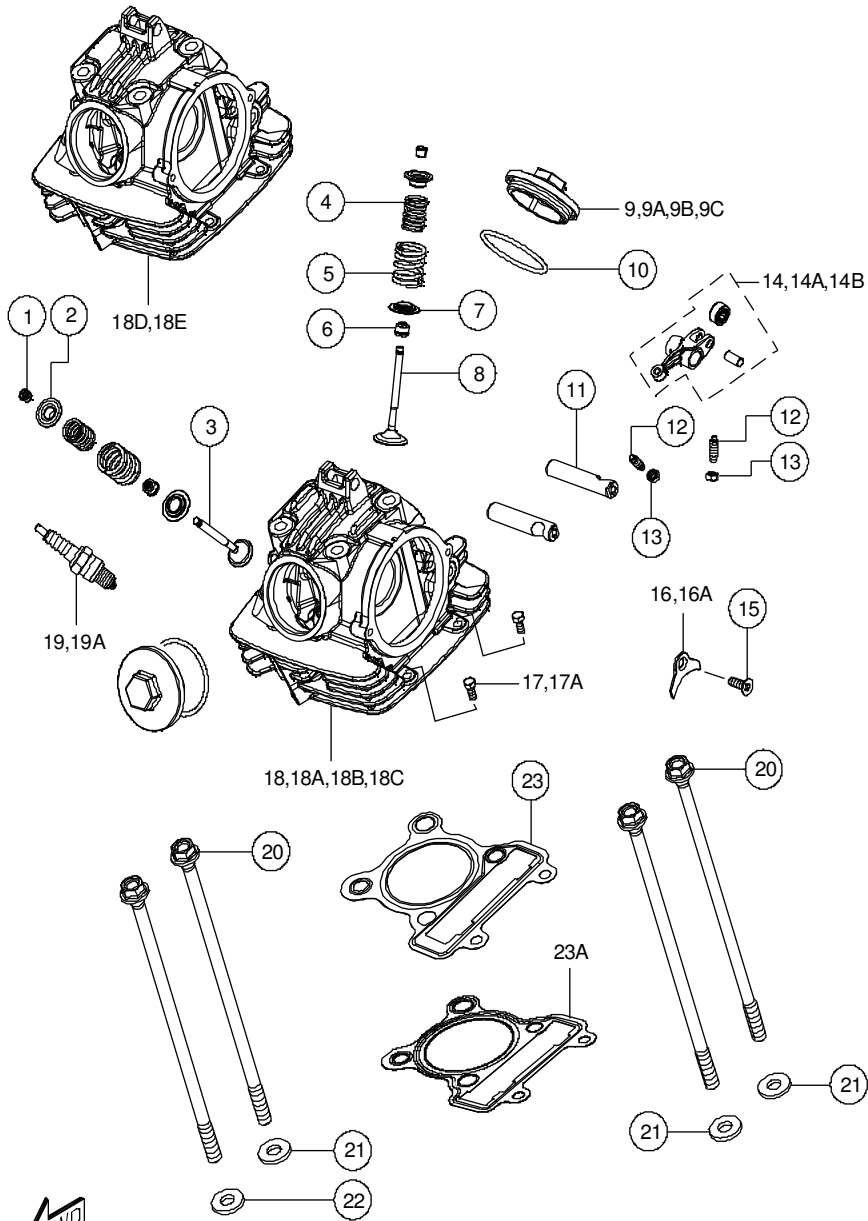


TVS

STAR BASIC/DLX/CITY/CITY REF./SPORT DLX/SPORT CVTI/CITY 110 CVTI/CITY110CVTI REF.

PARTS CATALOGUE



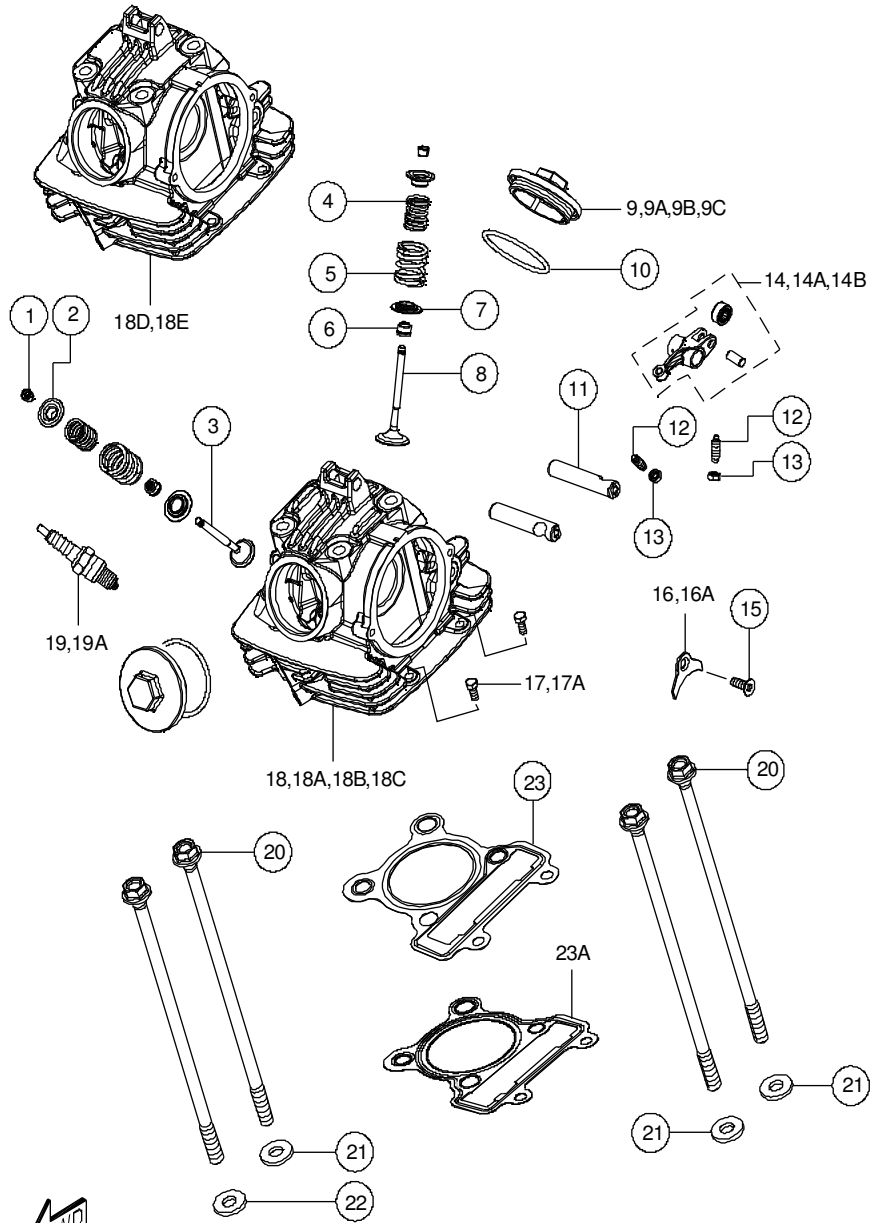


CYLINDER HEAD ASSEMBLY

CYLINDER HEAD ASSEMBLY

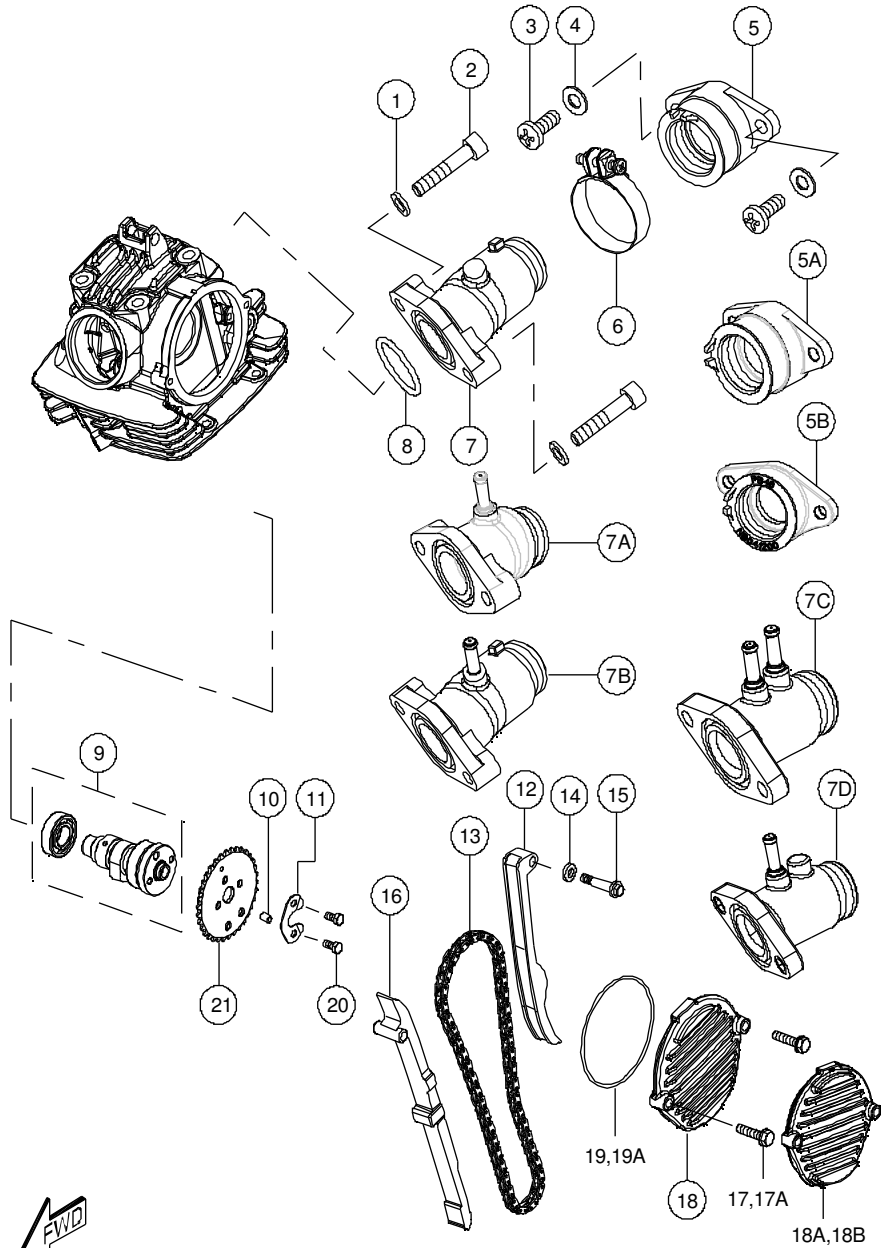
REF NO.	PART NO.	DESCRIPTION	NO. OFF								REMARKS
			STAR		STAR CITY		STAR SPORT		STAR CITY 110		
			BASE	DLX	CITY	ALLOY	REF.	DLX	CVTI	CITY CVTI	
1	S1010320	COTTER VALVE	4	4	4	4	4	4	4	4	
2	N2011040	RETAINER VALVE SPRING	2	2	2	2	2	2	2	2	
3	N2010620	VALVE EXHAUST	1	1	1	1	1	1	1	1	
4	N2010340	SPRING VALVE INNER	2	2	2	2	2	2	2	2	
5	N2010350	SPRING VALVE OUTER	2	2	2	2	2	2	2	2	
6	M1010620	SEAL VALVE STEM OIL	2	2	2	2	2	2	2	2	
7	K3010680	SEAT VALVE SPRING	2	2	2	2	2	2	2	2	
8	N3011140	VALVE INTAKE	1	1	1	1	1	1	1	1	
9	N8010240	CAP INSPECTION HOLE	2	2							
9A	N8010700	CAP INSPECTION HOLE			2	2	2	2			
9B	N8011100	CAP INSPECTION HOLE (METAL)							2	2	(TIT. GREY)
9C	N8010860	CAP INSPECTION HOLE							2	2	"
10	N8010260	O RING CAP INSPECTION HOLE	2	2	2	2	2	2	2	2	
11	N8010350	SHAFT VALVE ROCKER ARM	2	2	2	2	2	2	2	2	
12	S1010240	SCREW TAPPET ADJUSTING	2	2	2	2	2	2	2	2	
13	S1010250	NUT TAPPET ADJUSTING	2	2	2	2	2	2	2	2	
14	N2010320	ARM VALVE COMP. ROCKER	2	2							
14A	N8011000	ARM VALVE ROCKER ASSY.			2	2	2	2	2	2	
15	N8200090	CRR CSK SCREW M6x16	1	1	1	1	1	1	1	1	
16	N8010340	STOPPER ROCKER ARM SHAFT	1	1	1	1	1	1	1	1	
16A	N8010800	STOPPER ROCKER SHAFT									1
17	N5200340	HEX SCREW M6x16	2	2	1	1	1	1			
17A	M1200520	HEX FL BOLT M6x16							1	1	
18	N8010230	HEAD CYLINDER COMP. (WITH SAI)	1	1							
18A	N8321310	HEAD CYLINDER COMP. (W/O SAI)	1*	1*							*
18B	N8010460	HEAD CYLINDER COMP.			1	1	1	1			KS

* - APPLICABLE FOR VEHICLES PRODUCED BEFORE APRIL 2005



CYLINDER HEAD ASSEMBLY

REF NO.	PART NO.	DESCRIPTION	NO. OFF							REMARKS				
			STAR			STAR CITY		STAR SPORT			STAR CITY			
			BASE	DLX	CITY	ALLOY	REF.	DLX	CVTI		110 CVTI			
18C	N8011200	HEAD CYLINDER COMP.								1		(TIT. GREY)		
18D	N8010750	HEAD CYLINDER COMP. (SILVER)										1		
18E	N80107507D	HEAD CYLINDER COMP. (TIT GREY)											1	
19	N2180040	SPARK PLUG (UR4 AC)	1	1	1	1	1	1	1	1	1			
19A	M1180030	SPARK PLUG											1	
20	N8010310	BOLT CYLINDER HEAD	4	4	4	4	4	4	4	4	4	4	4	
21	S1010130	WASHER CYLINDER HEAD UNIT	3	3	3	3	3	3	3	2	2	4		
22	M1010360	GASKET CYLINDER HEAD NUT	1	1	1	1	1	1	1	2	2	4		
23	N8010290	GASKET CYLINDER HEAD	1	1	1	1	1	1	1	1	1			
23A	N8010590	GASKET CYLINDER HEAD									1	1		
24	N8011210	CYLINDER HEAD ASSY.(TIT. GREY)									1			N.I
24A	N8010830	CYLINDER HEAD ASSY.											1	"
24B	N80108307D	CYLINDER HEAD ASSY.											1	"

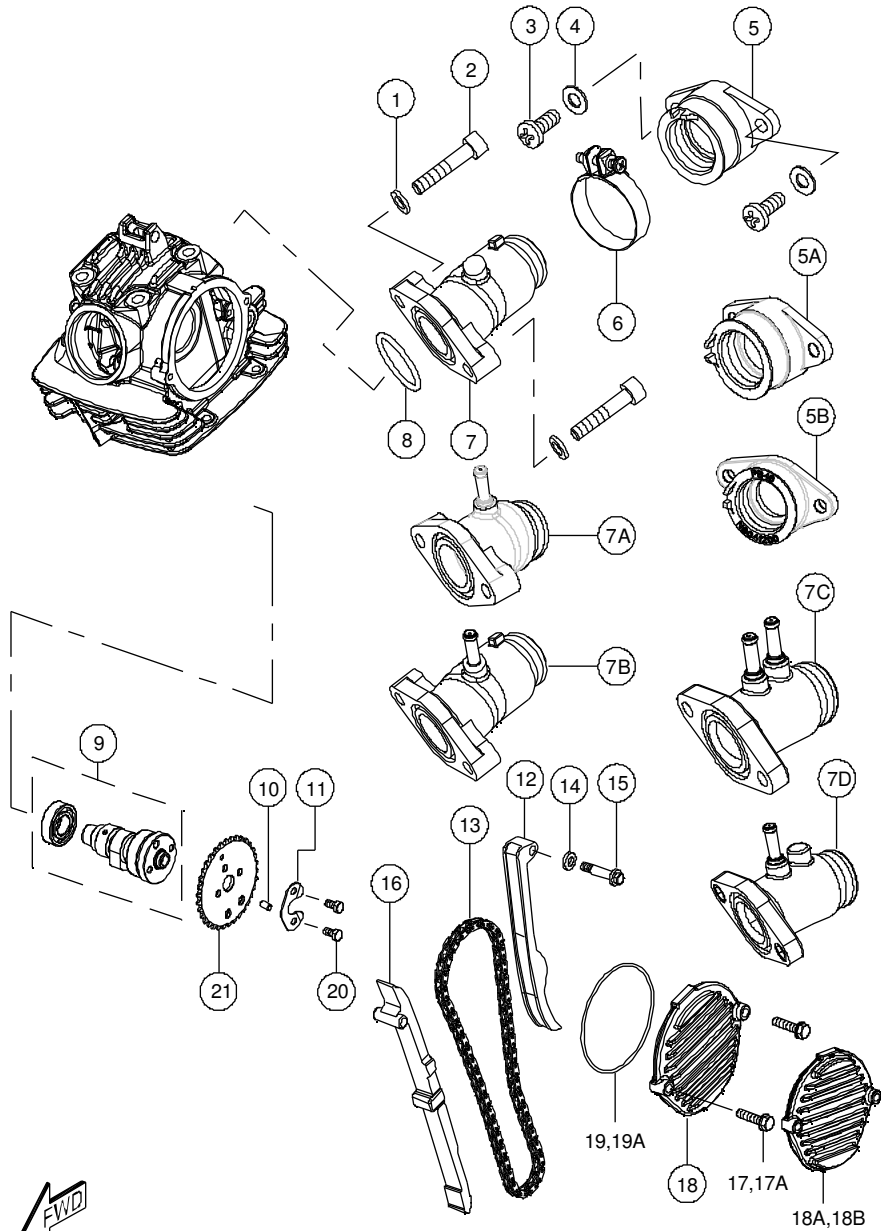


CAMSHAFT ASSEMBLY

REF NO.	PART NO.	DESCRIPTION	NO. OFF								REMARKS
			STAR			STAR CITY		STAR SPORT		STAR CITY	
			BASE	DLX	CITY	ALLOY	REF.	DLX	CVTI	110 CVTI	
1	8200130	PUNCHED WASHER 6.5x11x1.6	2	2	2	2	2	2	2	2	
2	A200050	HEX SH. HEAD CAP SCREW M6x25	2	2	2	2	2	2	2	2	
3	0331748	CRR PAN HEAD SCREW M6x16	2	2	2	2	2	2	2	2	
4	0335578	PUNCHED WASHER 6.5x13x1	2	2	2	2	2	2	2	2	
5	N2041400	ADOPTER COMP. CARBURETTOR	1	1	1	1	1		1		SPACO CARB.
5A	N8040700	ADOPTER COMP. CARBURETTOR			1	1	1	1			KEIHIN CARB.
5B	N8041200	ADOPTER COMP. CARBURETTOR								1	
5C	N8041460	ADOPTER COMP. CARBURETTOR								1	
6	A054190	HOSE CLIP 35	1	1	1	1	1	1	1	1	
7	N8040430	PIPE INTAKE (W/O SAI)	1	1							#
7A	N8040760	PIPE INTAKE			1	1	1	1			KEIHIN CARB.
7B	N3040340	PIPE INTAKE			1	1	1	1	1		SPACO CARB.
7C	N4040690	PIPE INTAKE COMP.								1	
7D	N8041280	PIPE INTAKE COMP.								1	
8	N2040940	O RING PIPE INTAKE	1	1	1	1	1	1	1	1	
9	N8010440	CAMSHAFT ASSY.	1	1							
9A	N8010480	CAMSHAFT ASSY.			1	1	1	1	1		
9B	N8010820	CAMSHAFT ASSY.								1	
10	M1010490	PIN SPROCKET KNOCK	1	1	1	1	1	1	1	1	
11	N5010400	WASHER SPROCKET	1	1	1	1	1	1	1	1	
12	N8010690	TENSIONER CAM CHAIN ES	1	1	1	1	1	1	1	1	
13	N5010790	CAM CHAIN (ROLLER CHAIN) 88LINK	1	1	1	1	1	1	1	1	
14	N2010960	WASHER CAM CHAIN TENSIONER	1	1	1	1	1	1	1	1	
15	N2010710	BOLT CAM CHAIN TENSIONER	1	1	1	1	1	1	1	1	
16	N8010320	GUIDE CAM CHAIN	1	1	1	1	1	1	1	1	

*1 - APPLICABLE ONLY FOR THE VEHICLE FITED WITH SPACO CARBURETTOR

- APPLICABLE FOR THE PRODUCED BEFORE APRIL 2005

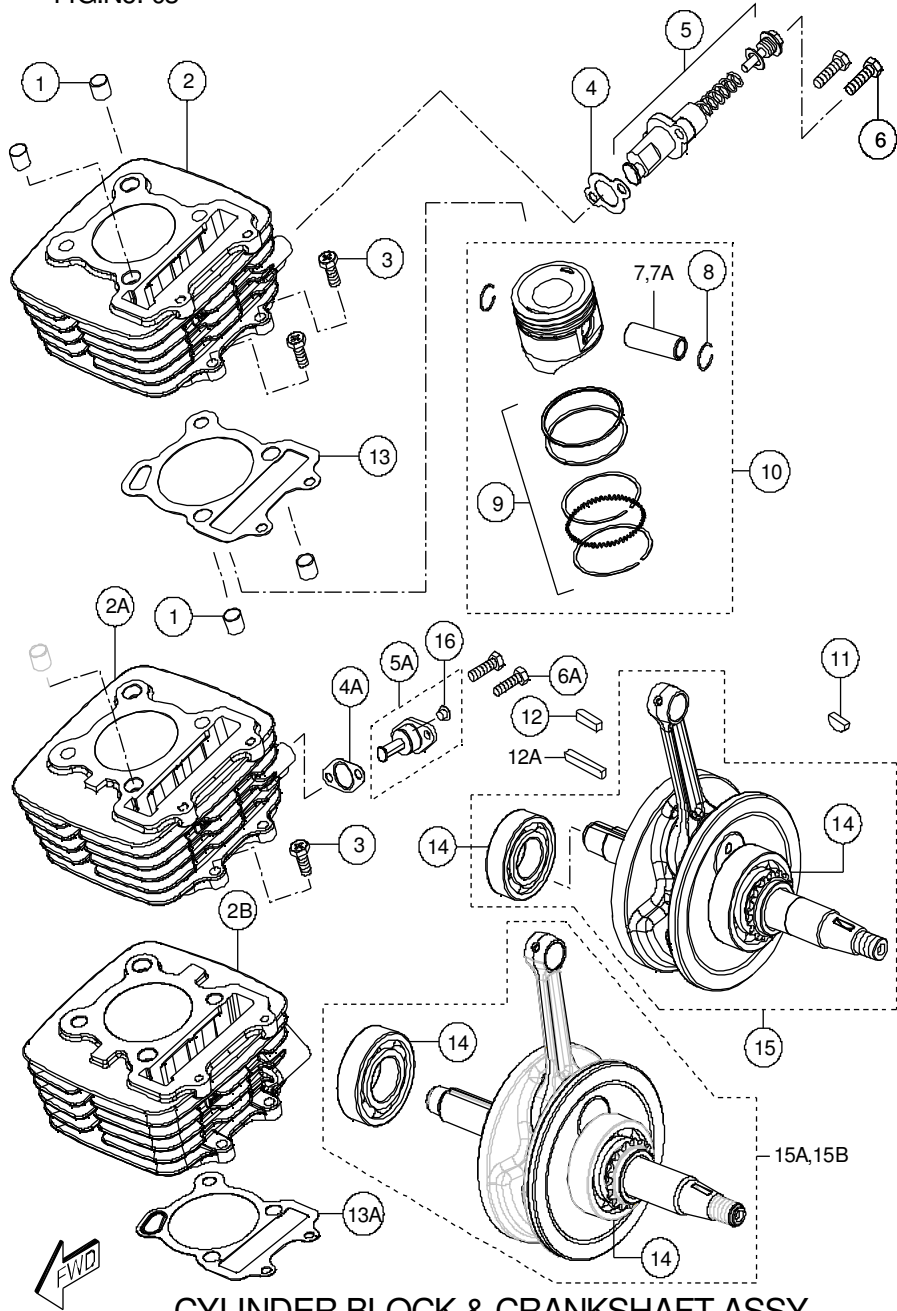


CAMSHAFT ASSEMBLY

CAMSHAFT ASSEMBLY

REF NO.	PART NO.	DESCRIPTION	NO. OFF							REMARKS			
			STAR		STAR CITY		STAR SPORT		STAR CITY				
			BASE	DLX	CITY	ALLOY	REF.	DLX	CVTI		110 CVTI		
17	N5200340	HEX SCREW M6x16	2	2									
17A	M1200510	HEX FLANGE BOLT M6x25			2	2	2	2	2	2			
18	N8010280	COVER CYLINDER HEAD LH	1	1									
18A	N8010500	COVER CYLINDER HEAD LH			1	1	1	1			1		(SILVER)
18B	N8011110	COVER CYLINDER HEAD LH								1	1		(TIT. GREY)
19	N5010080	O RING COVER CYLINDER HEAD	1	1									
19A	N3010550	O RING COVER CYLINDER HEAD			1	1	1	1	1	1	1		
20	M1200940	HEX SCREW M5x10	2	2	2	2	2	2	2	2	2		
21	N5010320	SPROCKET 34T CAMSHAFT	1	1	1	1	1	1	1	1	1		
22	N8323560	PIPE INTAKE KIT										1	**

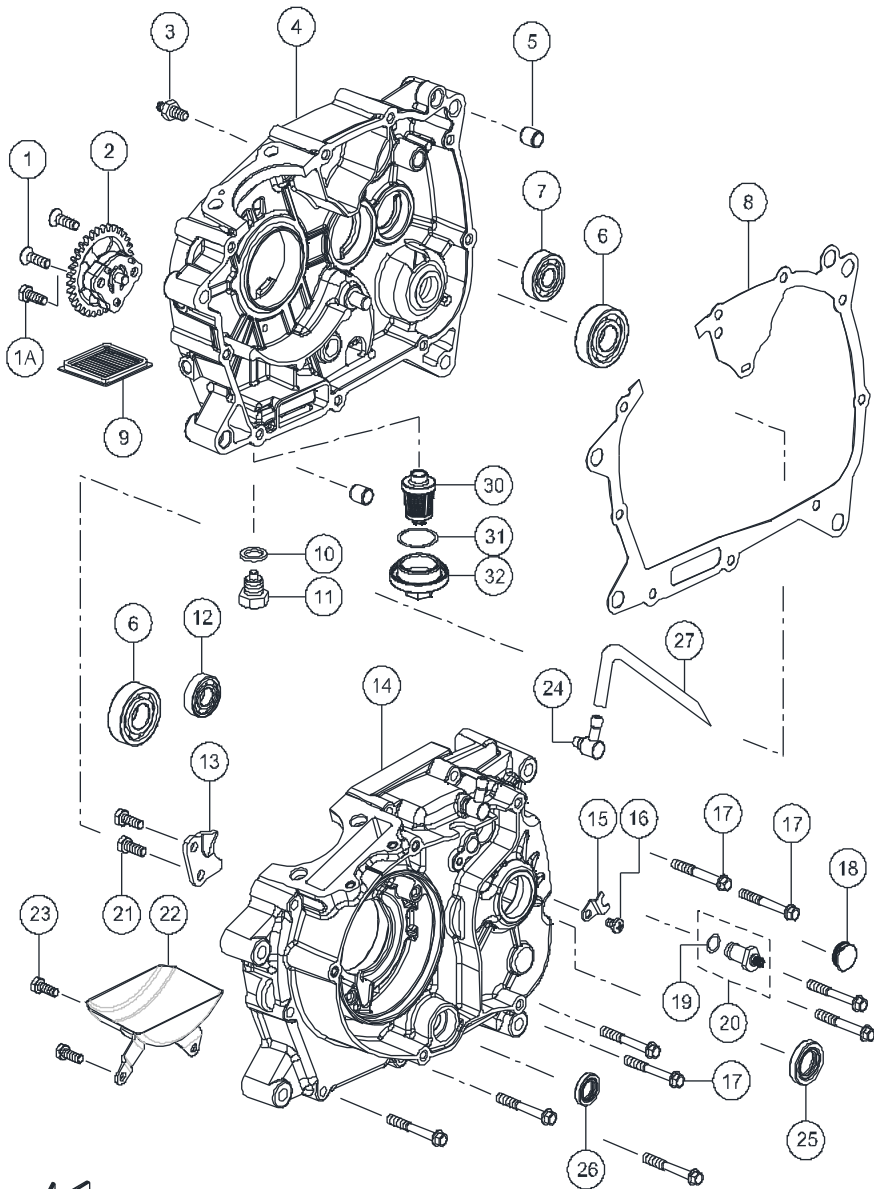
** - REF. KIT & KIT CONTENTS



CYLINDER BLOCK & CRANKSHAFT ASSY.

REF NO.	PART NO.	DESCRIPTION	NO. OFF								REMARKS
			STAR		STAR CITY		STAR SPORT		STAR CITY		
			BASE	DLX	CITY	ALLOY	REF.	DLX	CVTI	110 CVTI	
14	N2200390	BALL BEARING 25x52x15	2	2	2	2	2	2	2	2	
15	N8020100	CRANKSHAFT ASSY. KS	1	1	1						
15A	N8020210	CRANKSHAFT ASSY. KS/ES				1	1	1	1		
15B	N8020190	CRANKSHAFT ASSY.								1	
16	N3011670	PLUG ADJUSTER TENSIONER					1				1
17	N8320130	CYLINDER BLOCK & PISTON KIT KS	1	1	1	1	1	1	1		N. I
17A	N8322720	CYLINDER BLOCK & PISTON KIT ES					1				"
17B	N8323610	CYLINDER BLOCK & PISTON KIT								1	KS/ES
18	N8180030	ENGINE ASSY. STAR	1								N. I
18A	N8180210	ENGINE ASSY. + POS LUB	1								"
18B	N8180090	ENGINE ASSY. DLX		1							"
18C	N8180070	ENGINE ASSY. CITY			1						"
18D	N8180110	ENGINE ASSY. KS				1	1				"
18E	N8180130	ENGINE ASSY. ES					1				"
18F	N8180240	ENGINE ASSY. KS						1			"
18G	N8180360	ENGINE ASSY. KS							1		"
18H	N5180040	ENGINE ASSY. ES							1		"
18I	N8180120	ENGINE ASSY. STAR CITY110 KS								1	"
18J	N8180300	ENGINE ASSY. STAR CITY110 ES								1	BLOCKED
18K	N8180380	ENGINE ASSY. 110 KS BLACK								1	"
18L	N8180390	ENGINE ASSY. 110 ES BLACK								1	"
18M	N8180530	ENGINE ASSY. 110 - TCI ES								1	N. I
18N	N8180540	ENGINE ASSY. 110 - TCI KS								1	"
19	N8323810	CONNECTING ROD KIT	1	1	1	1	1	1	1		**
19A	N8323820	CONNECTING ROD KIT								1	**

FIG.No. 04

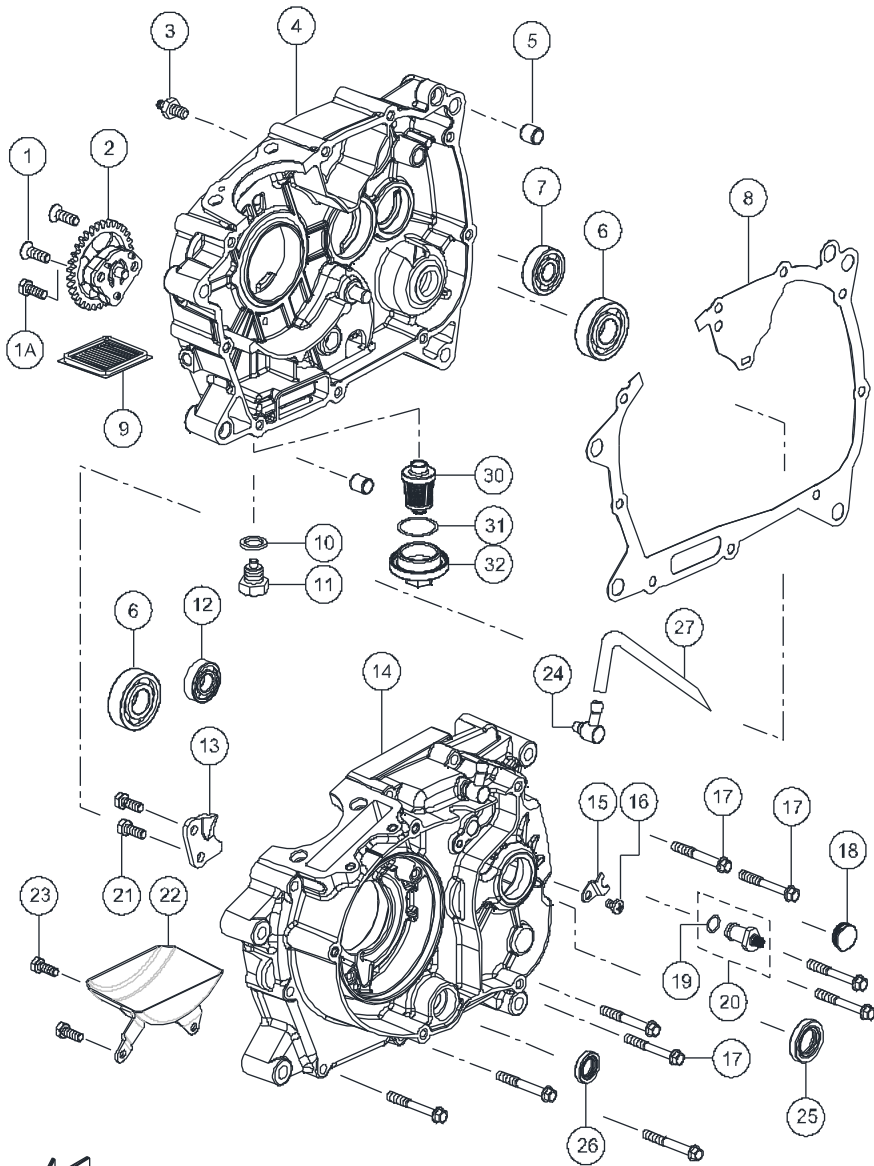


CRANKCASE ASSEMBLY

CRANKCASE ASSEMBLY

FIG.NO. 04

REF NO.	PART NO.	DESCRIPTION	NO. OFF								REMARKS		
			STAR			STAR CITY		STAR SPORT		STAR CITY			
			BASE	DLX	CITY	ALLOY	REF.	DLX	CVTI	110 CVTI			
1	N3200360	CRR CSK HEAD SCREW M6x20	2	2	2	2	2	2					
1A	N2200470	REC CSK HEAD SCREW M6x22						2	2	2	2		
2	N8080900	PUMP ASSY. OIL	1	1	1	1							
2A	N4080280	PUMP ASSY. OIL						1	1	1	1		
3	N5080920	HOOK SPRING CAM STOPPER	1	1	1	1	1	1	1	1	1		
4	N8320200	CRANK CASE ASSY. RH	1	1	1	1							BLOCKED
4A	N8322700	CRANK CASE ASSY. RH KS/ES						1	1			1	(SILVER)
4B	N8030560	CRANK CASE COMP. RH (BLACK)									1	1	KS
4C	N8323730	CRANK CASE ASSY. RH (BLACK)									1	1	ES
5	S1200270	DOWEL PIN 11x12	2	2	2	2	2	2	2	2	2	2	
6	N2200150	BALL BEARING 17x40x12	2	2	2	2	2	2	2	2	2	2	
7	420602000	BALL BEARING 12x32x10	1	1	1	1	1	1	1	1	1	1	
8	N8030180	GASKET CRANKCASE	1	1	1	1	1	1	1	1	1	1	
9	N5080460	OIL STRAINER	1	1	1	1	1	1	1	1	1	1	
10	S1011290	SEALING WASHER	1	1	1	1	1	1	1	1	1	1	
11	S1200900	PLUG COMP. OIL DRAIN	1	1	1	1	1	1	1	1	1	1	
12	N2200400	BALL BEARING 12x28x8	1	1	1	1	1	1	1	1	1	1	
13	N5080330	PLATE RATCHET GUIDE	1	1	1	1	1	1	1				
13A	N5081320	LIFTER RATCHET	1	1	1	1	1	1	1	1	1	1	
14	N8320190	CRANKCASE ASSY. LH KS	1	1	1	1	1	1	1			1	(SILVER)
14A	N8322710	CRANKCASE ASSY. LH ES						1				1	
14B	N8323720	CRANKCASE ASSY. LH KS (BLACK)									1	1	

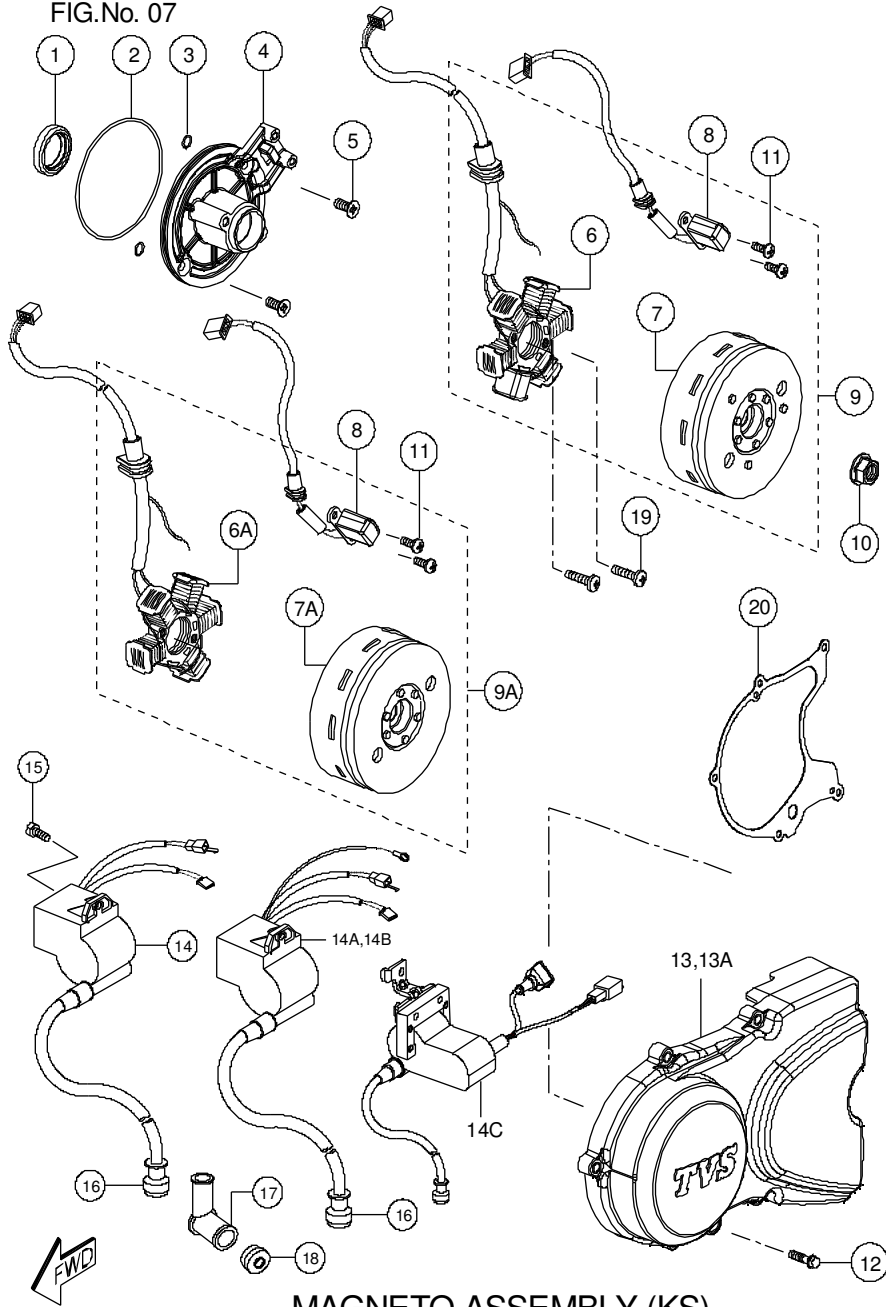


CRANKCASE ASSEMBLY

CRANKCASE ASSEMBLY

REF NO.	PART NO.	DESCRIPTION	NO. OFF							REMARKS		
			STAR		STAR CITY		STAR SPORT		STAR CITY			
			BASE	DLX	CITY	ALLOY	REF.	DLX	CVTI		110 CVTI	
14C	N80304307D	CRANKCASE COMP. LH ES (BLACK)								1	1	
15	N8060010	CLAMP GEAR SHIFT SWITCH	1	1	1	1	1	1	1	1	1	
16	0332028	CRR PAN HEAD SCREW M5x8	1	1	1	1	1	1	1	1	1	
17	N5200160	HEX FLANGE BOLT M6x45	9	9	9	9	9	9	9	9	9	
18	N8080410	DUST COVER GEAR SHIFTCAM	1	1	1	1	1	1	1	1	1	
19	---	O RING GEAR SHIFT SWITCH	1	1	1	1	1	1	1	1	1	
20	N5060080	GEAR SHIFT SWITCH	1	1	1	1	1	1	1	1	1	
21	420464700	HEX SCREW M6x16	2	2	2	2	2	2	2	2	2	
22	N8080490	OIL SEPERATOR	1	1	1	1	1	1	1	1	1	
23	0331708	CRPH SCREW M5x12	2	2	2	2	2	2	2	2	2	
24	R1080950	PIPE COMP. BREATHER	1	1	1	1	1	1	1	1	1	
25	T4080540	OILSEAL DRIVE SHAFT	1	1	1	1	1	1	1	1	1	
26	N2081720	OILSEAL GS SHAFT	1	1	1	1	1	1	1	1	1	
27	N8040500	HOSE CRANKCASE BREATHER KS	1	1	1	1	1	1	1	1	1	
27A	N8041070	HOSE CRANKCASE BREATHER					1				1	KS / ES
28	N8321320	KIT OIL PUMP	1	1	1	1						**
29	M7081870	BUSH CRANK CASE								1	1	
30	N3080290	OIL FILTER	1	1	1	1	1	1	1	1	1	
31	R1200490	O RING	1	1	1	1	1	1	1	1	1	
32	R1011010	CAP INSPECTIONM HOLE	1	1	1	1	1	1	1	1	1	

FIG.No. 07



MAGNETO ASSEMBLY (KS)

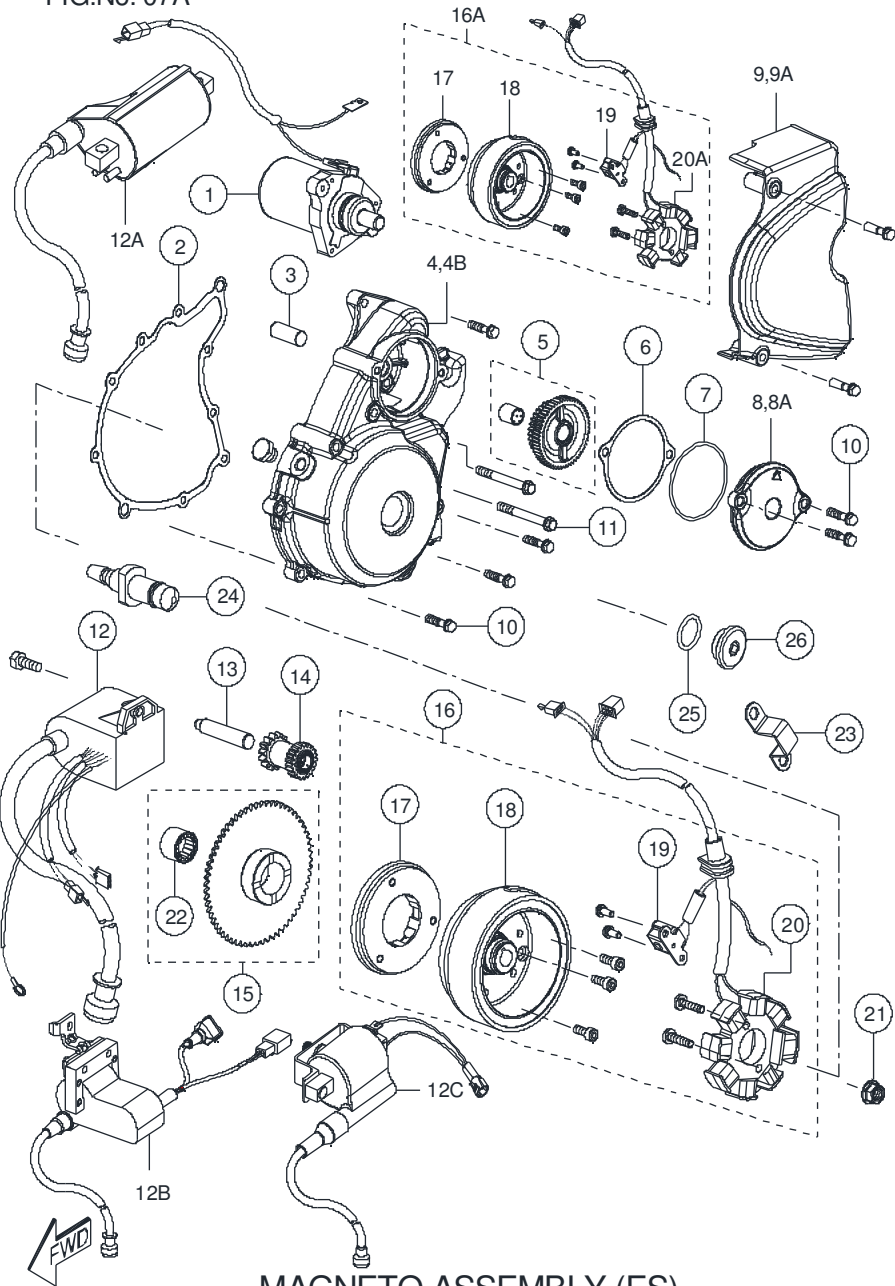
MAGNETO ASSEMBLY (KS)

FIG.NO. 07

REF NO.	PART NO.	DESCRIPTION	NO. OFF								REMARKS		
			STAR			STAR CITY		STAR SPORT		STAR CITY			
			BASE	DLX	CITY	ALLOY	REF.	DLX	CVTI	110 CVTI			
1	N5200270	OIL SEAL 20x30x6	1	1	1	1	1	1	1	1			
2	N5200070	O RING 95.5x2	1	1	1	1	1	1	1	1			
3	N5200050	O RING 6x 1.7	2	2	2	2	2	2	2	2			
4	N8060100	BACK PLATE MAGNETO	1	1	1	1	1	1	1	1			
5	0332228	CRPH SCREW M6x16	2	2	2	2	2	2	2	2			
6	N8060130	STATOR ASSY. KS	1	1	1	1	1	1	1	1		CDI	
6A	N8324020	STATOR ASSY. KS									1	TCI	
7	N8060120	ROTOR ASSY. KS	1	1	1	1	1	1	1	1		CDI & TCI	
7A	N8324040	ROTOR ASSY. KS									1	TCI	
8	N3060130	PULSAR COIL	1	1	1	1	1	1	1	1			
9	N8060110	MAGNETO ASSY. KS 100	1	1	1	1	1	1	1	1		CDI	
9A	N8060650	MAGNETO ASSY. KS 110 REF.									1	TCI	
10	M1200770	HEX FLANGE NUT M12x1.25	1	1	1	1	1	1	1	1			
11	0331718	CRR PAN HD. SCREW M5x6	2	2	2	2	2	2	2	2			
12	M1200510	HEX FLANGE BOLT M6x25	5	5	5	5	5	5	5	5			
13	N8030240	COVER COMP. MAGNETO	1	1	1	1	1	1				KS	
13A	N8030580	COVER MAGNETO (TIT. GREY)									1	1	"
14	N8060140	COMBINED DIGITAL CDI	1*	1*									
14A	N8060180	COMBINED DIGITAL CDI NEW	1	1	1	1							
14B	N8060320	COMBINED CDI UNIT KS/ ES						1	1	1			NEW
14C	N8060520	COMBINED CDI UNIT										1	
15	420452700	HEX BOLT M6x15	1	1	1	1	1	1	1	1			
16	N2180130	SEAL HIGH TENSIONER CORD	1	1	1	1	1	1	1	1			
17	N8060170	SUPPRESSOR CAP	1	1	1	1	1	1	1	1			
18	S1060310	SEAL SPARK PLUG	1	1	1	1	1	1	1	1			
19	M1200820	SCREW COIL M6x25	2	2	2	2	2	2	2	2			
20	N8030500	GASKET COVER MAGNETO	1		1	1	1	1	1	1			

* - APPLICABLE FOR THE VEHICLES PRODUCTION BEFORE APR 2005

FIG.No. 07A



MAGNETO ASSEMBLY (ES)

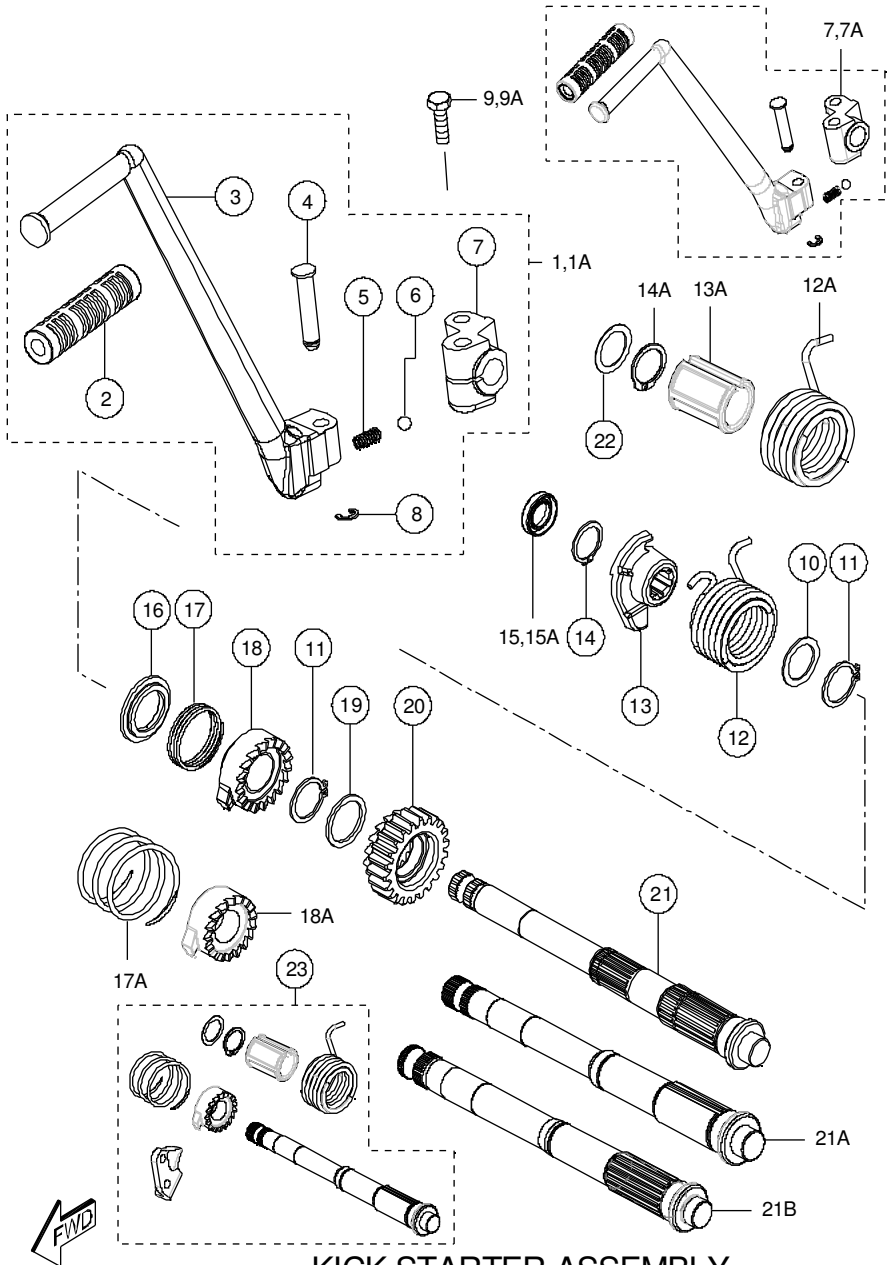
MAGNETO ASSEMBLY (ES)

FIG.NO.07A

REF NO.	PART NO.	DESCRIPTION	NO. OFF								REMARKS	
			STAR		STAR CITY		STAR SPORT		STAR CITY			
			BASE	DLX	CITY	ALLOY	REF.	DLX	CVTI	110 CVTI		
17	R1060110	ONE WAY CLUTCH						1		1	1	
18	N8060390	ROTOR ASSY. ES						1		1	1	
19	N3060130	PULSAR COIL						1		1	1	
20	N8060380	STATOR ASSY. ES						1		1	1	
20A	N8324010	STATOR ASSY. ES									1	TCI
21	M1200770	HEX FLANGE NUT M12x1.25						1		1	1	
22	R1200090	NEEDLE ROLLER BEARING						1		1	1	
23	N8080940	CLAMP WIRING HARNESS						1		1	1	
24	N8060340	NEUTRAL SWITCH						1		1	1	
25	N2081690	O RING						1			1	
26	N2081610	PLUG CRANK SHAFT HOLE						1			1	
27	N8323550	GASKET KIT								1	1	N.I *

N.I - NOT ILLUSTRATED

* - PL. REF. KIT & KIT CONTENTS

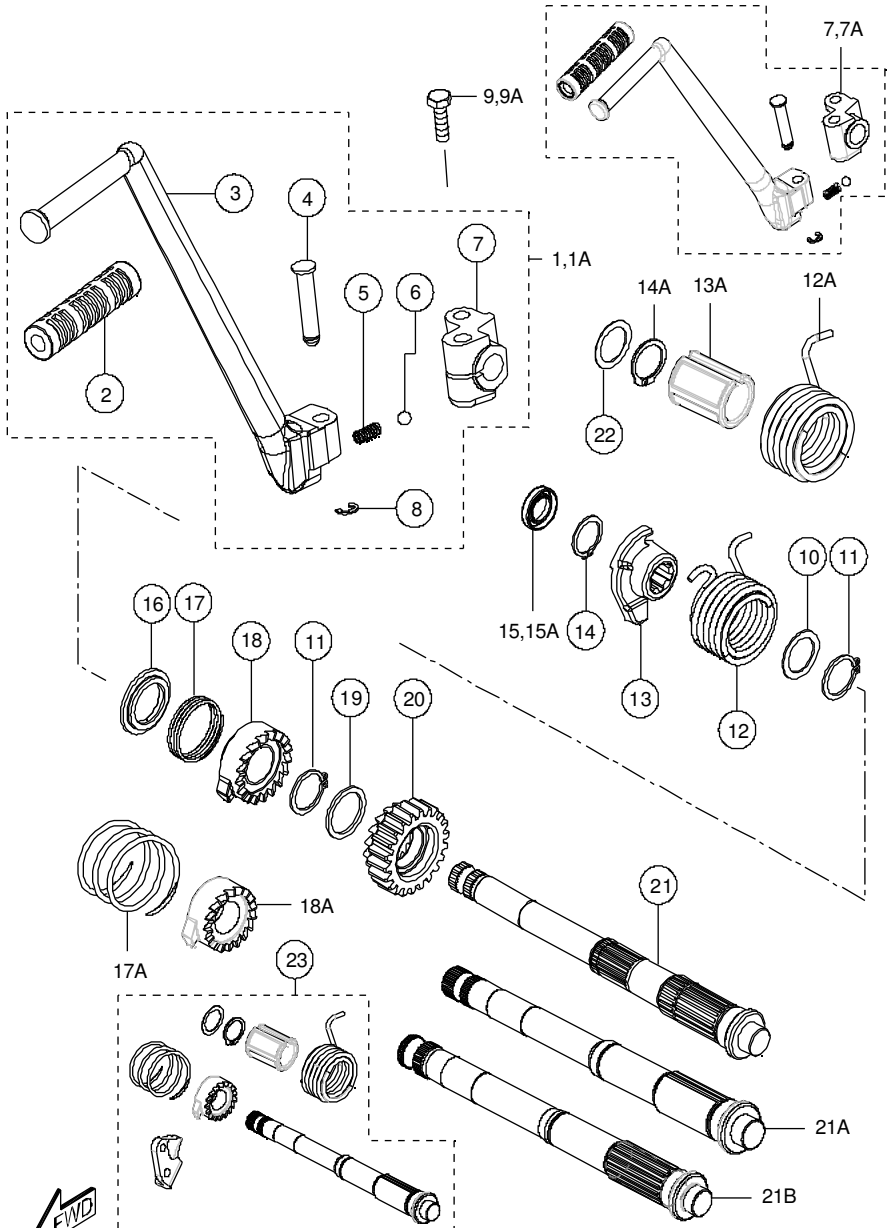


KICK STARTER ASSEMBLY

KICK STARTER ASSEMBLY

REF NO.	PART NO.	DESCRIPTION	NO. OFF							REMARKS	
			STAR		STAR CITY		STAR SPORT		STAR CITY		
			BASE	DLX	CITY	ALLOY	REF.	DLX	CVTI		110 CVTI
1	N8080420	LEVER ASSY. KICK STARTER	1	1	1	1	1	1			
1A	N1080090	LEVER ASSY. KICKSTARTER						1		1	1
2	N2081470	RUBBER KICK STARTER LEVER	1	1	1	1	1	1	1	1	1
3	N1080080	LEVER KICK STARTER	1	1	1	1	1	1	1	1	1
4	N2081450	PIN KICK STARTER LEVER	1	1	1	1	1	1	1	1	1
5	N2081430	SPRING KICK STARTER LEVER	1	1	1	1	1	1	1	1	1
6	N2081440	BALL KICK STARTER LEVER	1	1	1	1	1	1	1	1	1
7	N8080430	JOINT KICK STARTER	1	1	1	1	1	1			
7A	N2081400	JOINT KICKSTARTER LEVER						1		1	1
8	N3200240	E RING	1	1	1	1	1	1	1	1	1
9	420476700	HEX SCREW M6x30	1	1	1	1	1	1			
9A	S1101250	HEX B M8x35						1		1	1
10	0335024	SHIM 17x24x1	1	1	1	1	1	1	1	1	1
11	0330174	CIRCLIP EXT. 20x1.2	2	2	2	2	2	2	2	2	2
12	N5080340	SPRING KICK STARTER LEVER	1	1	1	1	1	1			*
12A	N5081370	SPRING KICK STARTER LEVER NEW	1	1	1	1	1	1	1	1	1
13	N5080320	RETAINER KICK STARTER	1	1	1	1	1	1			*
13A	N5081280	GUIDE KICK STARTER SPRING NEW	1	1	1	1	1	1	1	1	1

* - APPLICABLE FOR THE VEHICLES PRODUCTION BEFORE JULY 2005



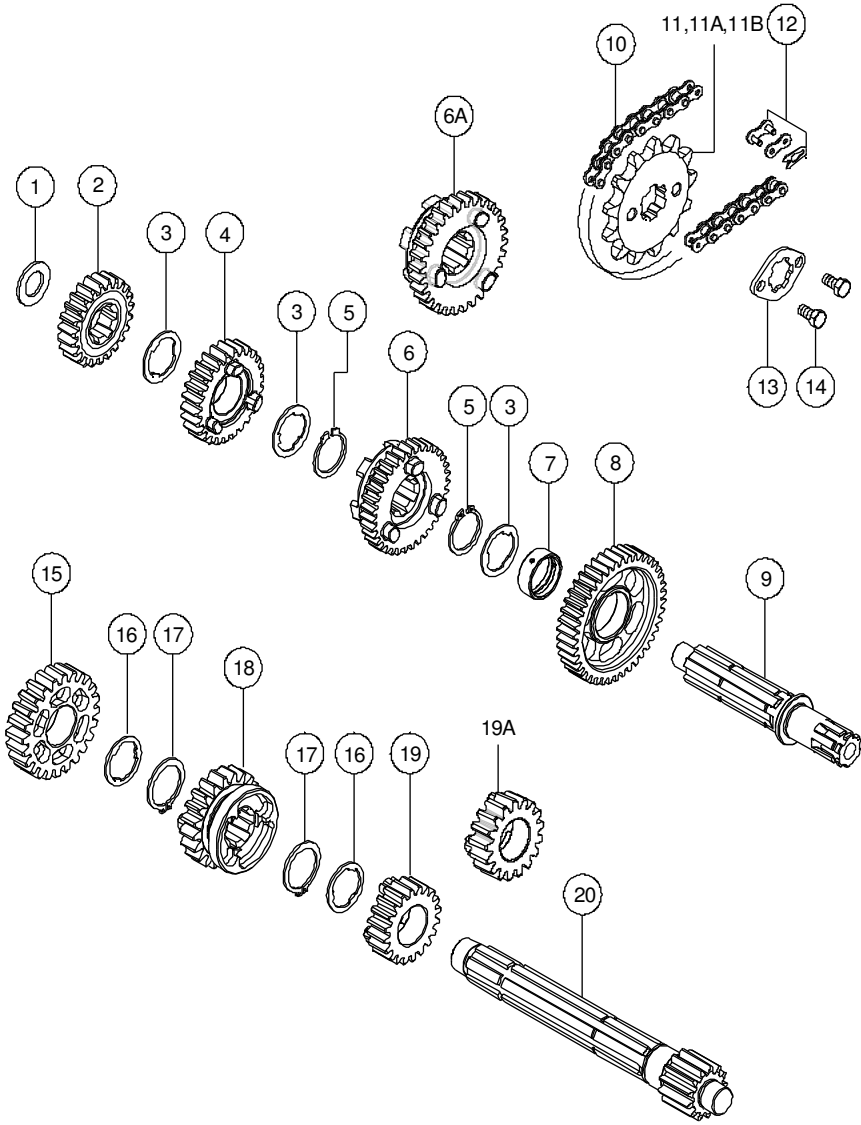
KICK STARTER ASSEMBLY

KICK STARTER ASSEMBLY

REF NO.	PART NO.	DESCRIPTION	NO. OFF								REMARKS	
			STAR			STAR CITY		STAR SPORT		STAR CITY		
			BASE	DLX	CITY	ALLOY	REF.	DLX	CVTI	110 CVTI		
14	P200030	CIRCLIP EXTERNAL 16x1	1	1	1	1	1	1				*
14A	0330164	CIRCLIP THIRD DRIVE GEAR NEW	1	1	1	1	1	1	1	1	1	
15	N5200150	OIL SEAL	1	1	1	1	1	1				
15A	S1200490	OIL SEAL K.S. SHAFT								1	1	
16	N5080220	RETAINER K S SPRING	1	1	1	1	1	1				
17	N5080240	SPRING K S RATCHET	1	1	1	1	1	1				*
17A	N5081360	SPRING K S RATCHET NEW	1	1	1	1	1	1	1	1	1	
18	N5080200	RATCHET KICK STARTER	1	1	1	1	1	1				*
18A	N5081330	RATCHET KICK STARTER NEW	1	1	1	1	1	1	1	1	1	
19	N5200140	SHIM 20x25.5x1.5	1	1	1	1	1	1	1	1	1	
20	N5080810	GEAR KICK STARTER DRIVE 22T	1	1	1	1	1	1	1	1	1	
21	N5080230	SHAFT KICK STARTER	1	1	1	1	1	1				*
21A	N5081340	SHAFT KICK STARTER NEW	1	1	1	1	1	1				
21B	N4080140	SHAFT KICK STARTER								1	1	
22	K3200880	SHIM 17x24x0.5	1	1	1	1	1	1	1	1	1	*
23	N5321240	SHAFT KICK STARTER ASSY. KIT	1	1	1	1	1	1				**
23A	---	SHAFT KICK STARTER ASSY. KIT								1	1	

* - APPLICABLE FOR THE VEHICLES PRODUCTION BEFORE JULY 2005

** - REF. KIT AND KIT CONTENTS

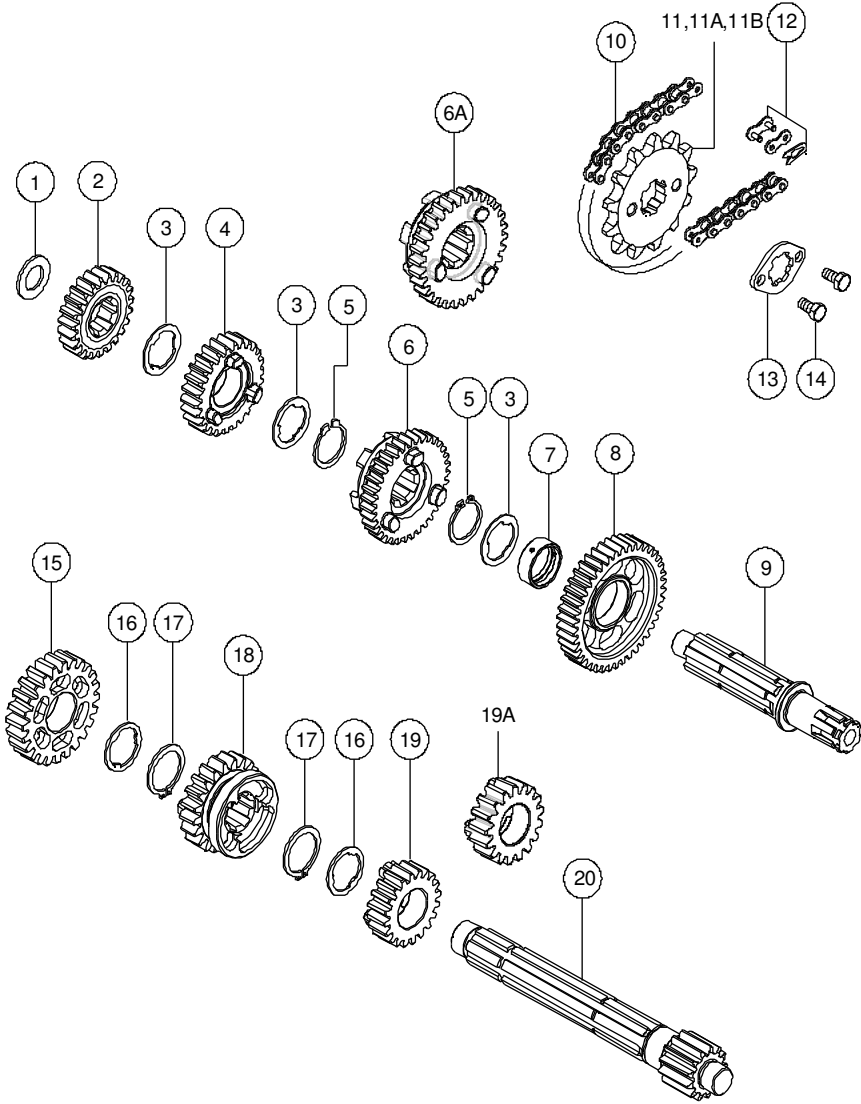


TRANSMISSION ASSEMBLY

TRANSMISSION ASSY.

REF NO.	PART NO.	DESCRIPTION	NO. OFF							REMARKS	
			STAR		STAR CITY		STAR SPORT		STAR CITY		
			BASE	DLX	CITY	ALLOY	REF.	DLX	CVTI		110 CVTI
1	N5200080	SHIM 12.7x22x1.5	1	1	1	1	1	1	1	1	
2	N5080170	GEAR 4TH DRIVEN (23T)	1	1	1	1	1	1	1	1	
3	N2080330	SHIM	3	3	3	3	3	3	3	3	
4	N5080150	GEAR 3RD DRIVEN (26T)	1	1	1	1	1	1	1	1	
5	0330174	CIRCLIP 20x1.2	2	2	2	2	2	2	2	2	
6	N5080130	GEAR 2ND DRIVEN (35T)	1	1	1	1	1	1			
6A	N8080810	GEAR 2ND DRIVEN (30T)	1						1	1	
7	N5080060	BUSH 1ST DRIVEN	1	1	1	1	1	1	1	1	
8	N5080110	GEAR 1ST DRIVEN (36T)	1	1	1	1	1	1	1	1	
9	N5080100	SHAFT DRIVE	1	1	1	1	1	1	1	1	
10	3254014	CHAIN ASSY. 112 LINKS	1*	1*							
10A	N3080370	CHAIN ASSY. 110 LINKS	1	1	1	1	1				1
10B	N8111740	CHAIN ASSY. 108 LINKS						1	1		
10C	N3080370	DRIVE CHAIN 110 LINKS									1
11	N3080040	SPROCKET ENGINE (14T)	1*	1*							1
11A	N3080160	SPROCKET ENGINE (13T)	1	1	1	1	1	1	1		
11B	N3080040	SPROCKET ENGINE 14T									1
12	3257200	LINK SET CHAIN	1	1	1	1	1	1	1	1	
13	N3080250	LOCK PLATE SPROCKET	1	1	1	1	1	1	1	1	
14	M1200940	HEX SCREW M5x10	2	2	2	2	2	2	2	2	
15	N5080160	GEAR 4TH DRIVE (24T)	1	1	1	1	1	1	1	1	
16	N5200110	SHIM 17.1x12x1	2	2	2	2	2	2	2	2	
17	N5200130	CIRCLIP 17x1.2	2	2	2	2	2	2	2	2	
18	N5080140	GEAR 3RD DRIVE (21T)	1	1	1	1	1	1	1	1	
19	N5080120	GEAR 2ND DRIVE (20T)	1	1	1	1	1	1			
19A	N8080800	GEAR 2ND DRIVE (17T)	1							1	1
20	N8080560	SHAFT CLUTCH (11T)	1	1	1	1	1	1	1	1	

* - APPLICABLE FOR THE VEHICLES PRODUCTION BEFORE JULY 2005



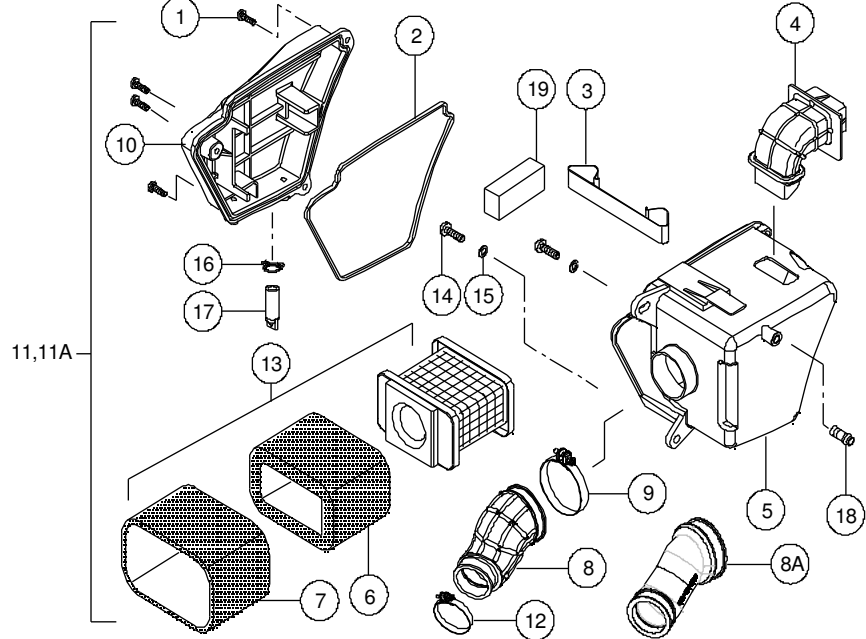
TRANSMISSION ASSEMBLY

TRANSMISSION ASSY.

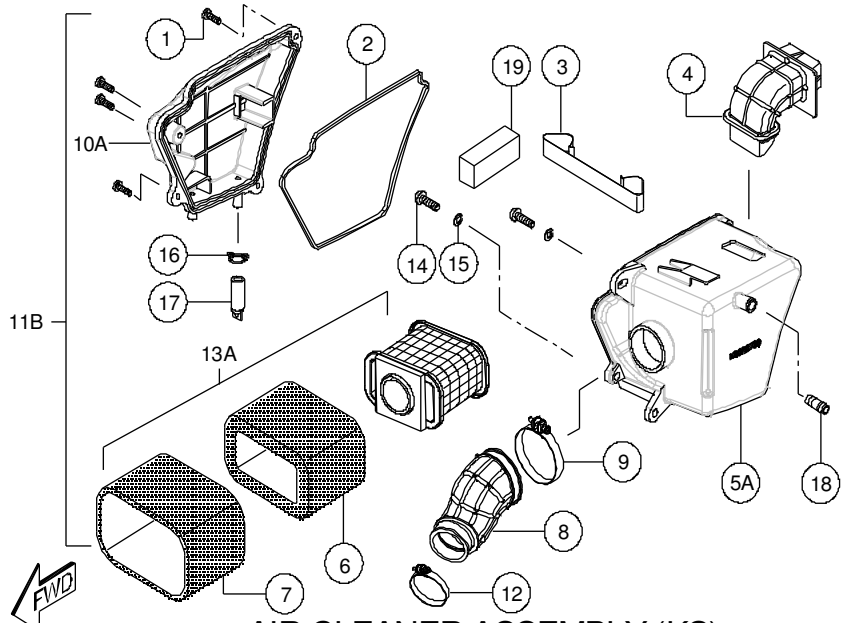
REF NO.	PART NO.	DESCRIPTION	NO. OFF							REMARKS		
			STAR			STAR CITY		STAR SPORT			STAR CITY	
			BASE	DLX	CITY	ALLOY	REF.	DLX	CVTI		110 CVTI	
21	N8320100	CHAIN&SPROCKET KIT (13/41/110L)	1	1	1							DRUM DIA 110, N.I**
21A	N8322820	CHAIN&SPROCKET KIT (14/44/112L)	1*	1*	1*							110, **
21B	N8322830	CHAIN&SPROCKET KIT (13/41/110L)				1						130, **
21C	N8322850	CHAIN&SPROCKET KIT (13/40/110L)					1					130, **
21D	N8322840	CHAIN&SPROCKET KIT (13/40/110L)					1					110, **
21E	N8323130	CHAIN&SPROCKET KIT (13/40/108)						1				130, **
21F	N8323690	CHAIN&SPROCKET KIT (13/39/108)							1			110, **
21G	N8323660	CHAIN&SPROCKET KIT (14/40/110)								1		130, **
21H	N8323650	CHAIN&SPROCKET KIT (14/40/110)									1	110, **
21I	N8325610	CHAIN&SPROCKET KIT (14/41/110)									1	BS3 (SPO&ALL)
22	N5080090	DRIVE SHAFT ASSY. DRIVEN (35T)	1	1	1	1	1	1				
22A	N4080230	DRIVE SHAFT ASSY. DRIVEN (30T)	1	1	1	1	1	1	1	1		
23	N8080570	CLUTCH SHAFT ASSY. (20T)	1	1	1	1	1	1				
23A	N4080240	CLUTCH SHAFT ASSY. (17T)	1	1	1	1	1	1	1	1		

N.I - NOT ILLUSTRATED , ** - REF. KIT AND KIT CONTENTS

FIG.No.11



11,11A



11B

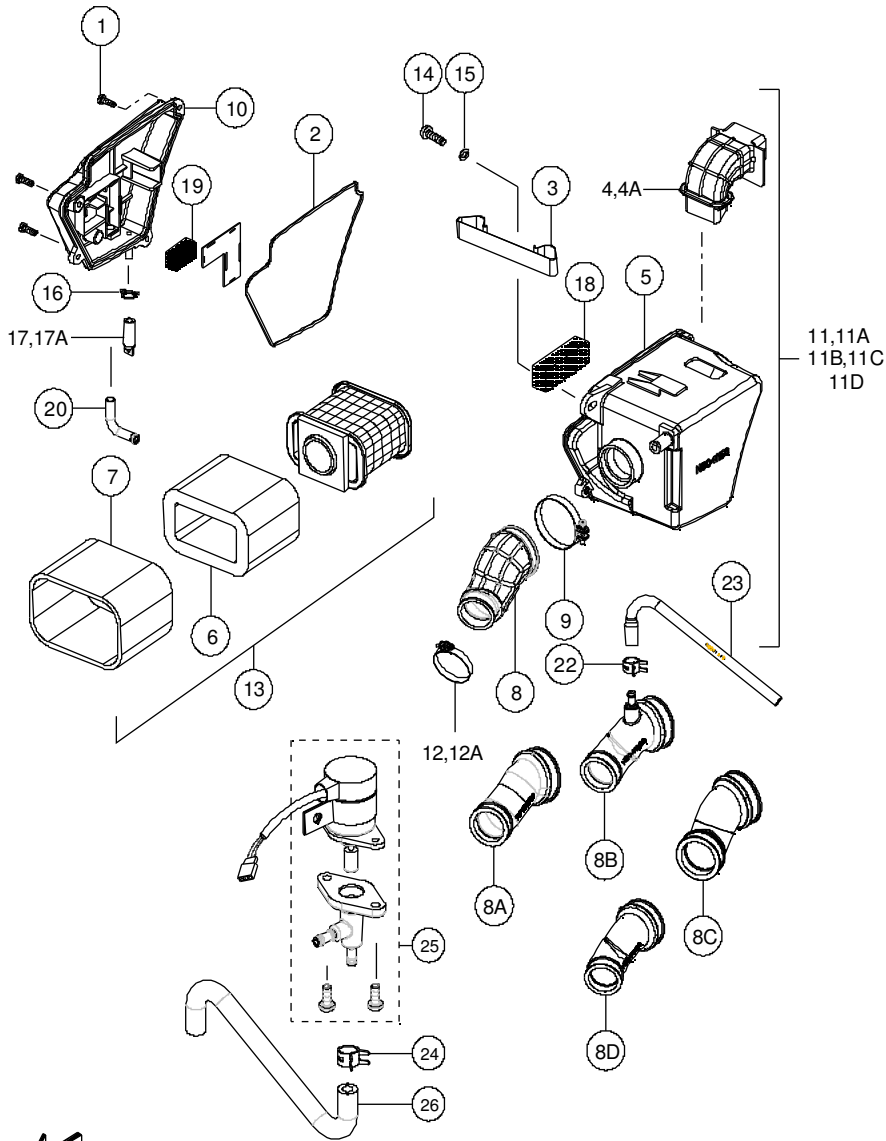
AIR CLEANER ASSEMBLY (KS)

AIR CLEANER ASSEMBLY (KS)

FIG.NO. 11

REF NO.	PART NO.	DESCRIPTION	NO. OFF								REMARKS
			STAR		STAR CITY		STAR SPORT		STAR CITY		
			BASE	DLX	CITY	ALLOY	REF.	DLX	CVTI	110 CVTI	
1	0331718	CRR PAN HEAD SCREW M5x16	3	3	4	4	4	4	4	4	
2	N2040210	SEAL AIR CLEANER	1	1	1	1	1	1	1	1	
3	N2041690	CLAMP END CAP	1	1	1	1	1	1	1	1	
4	N2041300	TUBE INTAKE	1	1	1	1	1	1	1	1	
4A	N1040010	TUBE INTAKE									1
5	N2041080	CASE AIR CLEANER LH	1	1	1	1					
5A	N3040730	CASE AIR CLEANER LH					1	1	1		
5B	N9041150	CASE AIR CLEANER LH									1
6	N2040650	FILTER INNER	1	1	1	1	1	1	1	1	
7	N2040640	FILTER OUTER	1	1	1	1	1	1	1	1	
8	N2041520	TUBE OUTLET	1	1	1	1	1	1	1	1	
8A	N8040690	TUBE OUTLET					1	1	1		
8B	N8041450	TUBE OUTLET AIR CLEANER									1
9	N2040490	HOSE CLIP	1	1	1	1	1	1	1	1	
10	N8040400	COVER AIR CLEANER	1	1	1	1					
10A	N8040810	COVER AIR CLEANER					1	1	1		
10B	N9041140	COVER AIR CLEANER									1
11	N8040390	AIR CLEANER ASSY.	1	1	1						
11A	N8041030	AIR CLEANER ASSY.			1						
11B	N8040820	AIR CLEANER ASSY.				1	1	1	1		
11C	N8041380	AIR CLEANER ASSY.									1
12	A054190	HOSE CLIP	1	1	1	1	1	1	1	1	
12A	M100050	HOSE CLIP									1
13	N2040660	FILTER COMP. AIR CLEANER	1	1	1	1					
13A	N3040750	FILTER COMP. AIR CLEANER					1	1	1	1	
14	0332275	SCREW M6x16	3	3	3	3	3	3	3	3	
15	0335608	WASHER	3	3	3	3	3	3	3	3	
16	N3040370	CLAMP DRAIN PIPE	1	1	1	1	1	1	1	1	
17	N3040360	DRAIN PIPE	1	1	1	1	1	1	1	1	
17A	R1040780	DRAIN PIPE									1
18	N8040510	INSERT AIR CLEANER	1	1	1						
19	N2041540	FILTER ELEMENT SAI	1	1	1	1	1	1	1	1	

* - REPLACES N8040720, FOR MORE DETAILS REFER SIB/M.CYCLE 11/06-07 DATED 20/03/07

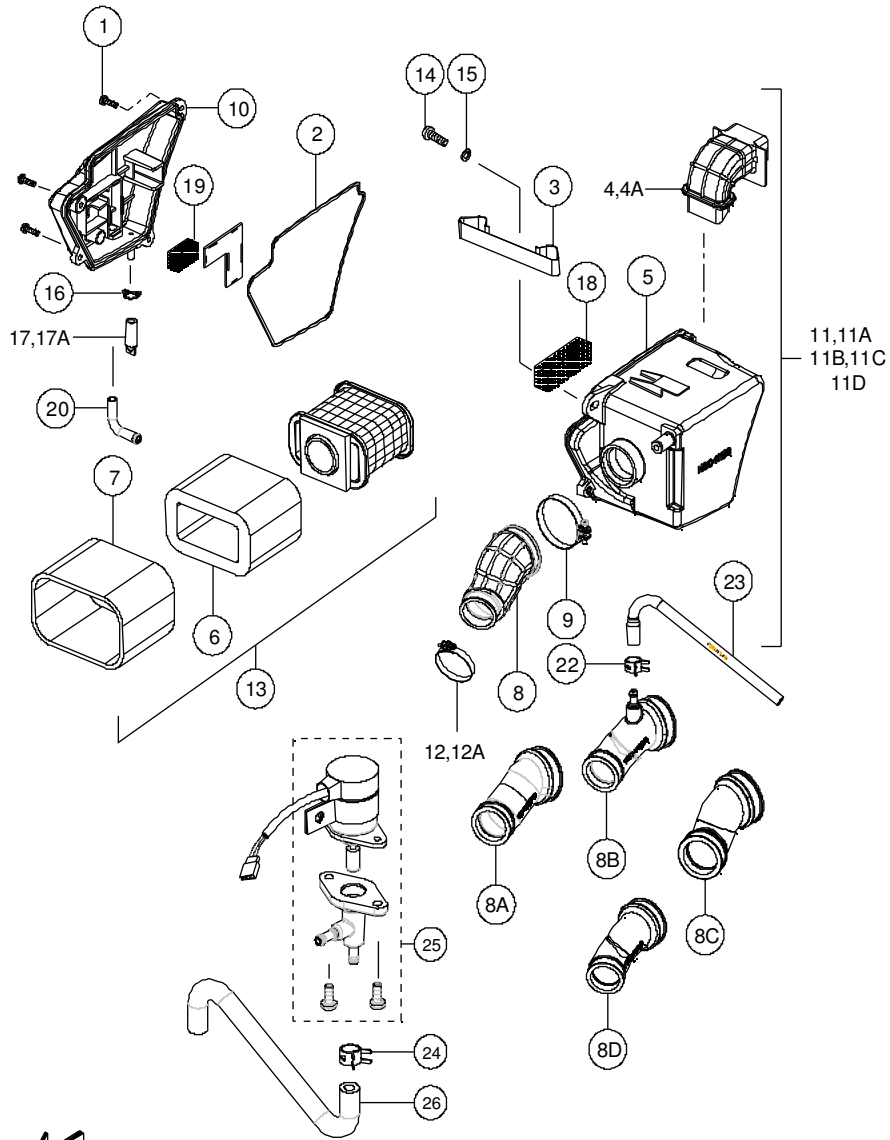


AIRCLEANER ASSEMBLY (ES)



AIR CLEANER ASSEMBLY (ES)

REF NO.	PART NO.	DESCRIPTION	NO. OFF							REMARKS		
			STAR			STAR CITY		STAR SPORT			STAR CITY	
			BASE	DLX	CITY	ALLOY	REF.	DLX	CVTI		110 CVTI	
1	0331718	CRR PAN HEAD SCREW M5x16						4		4	4	
2	N2040210	SEAL AIR CLEANER						1		1	1	
3	N2041690	CLAMP END CAP						1		1	1	
4	N2041300	TUBE INTAKE						1		1		
4A	N1040010	TUBE INTAKE									1	
5	N9041150	CASE LH AIR CLEANER						1		1	1	
6	N2040650	FILTER INNER						1		1	1	
7	N2040640	FILTER OUTER						1		1	1	
8	N2041520	TUBE OUTLET AIR CLEANER						1		1		FOR SPACO MAKE
8A	N8040690	TUBE OUTLET AIR CLEANER						1				FOR KEHINE MAKE
8B	N8041020	TUBE OUTLET AIR CLEANER									1	KS&ES
8C	N8041450	TUBE OUTLET AIR CLEANER									1	KS&ES
8D	N8041260	TUBE OUTLET AIR CLEANER									1	KS
9	N2040490	HOSE CLIP						1		1	1	
10	N9041140	COVER AIR CLEANER						1		1	1	
11	N8040830	AIR CLEANER ASSY. ES						1		1		FOR SPACO MAKE
11A	N8041120	AIR CLEANER ASSY. ES						1				FOR KEHINE MAKE
11B	N8041150	AIR CLEANER ASSY.									1	KS&ES
11C	N8041380	AIR CLEANER ASSY.									1	KS&ES
11D	N8041270	AIR CLEANER ASSY. (W/O SAI)									1	KS
12	A054190	HOSE CLIP						1		1		
12A	M100050	HOSE CLIP									1	
13	N3040750	FILTER COMP. AIR CLEANER KS/ES						1		1	1	
13A	N8041520	FILTER COMP. AIR CLEANER KS/ES						1		1	1	PAPER
14	0332275	SCREW M6x16						3		3	3	
15	0335608	WASHER						3		3	3	
16	N3040370	CLAMP DRAIN PIPE						1		1	1	
17	N3040360	DRAIN PIPE						1		1	1	

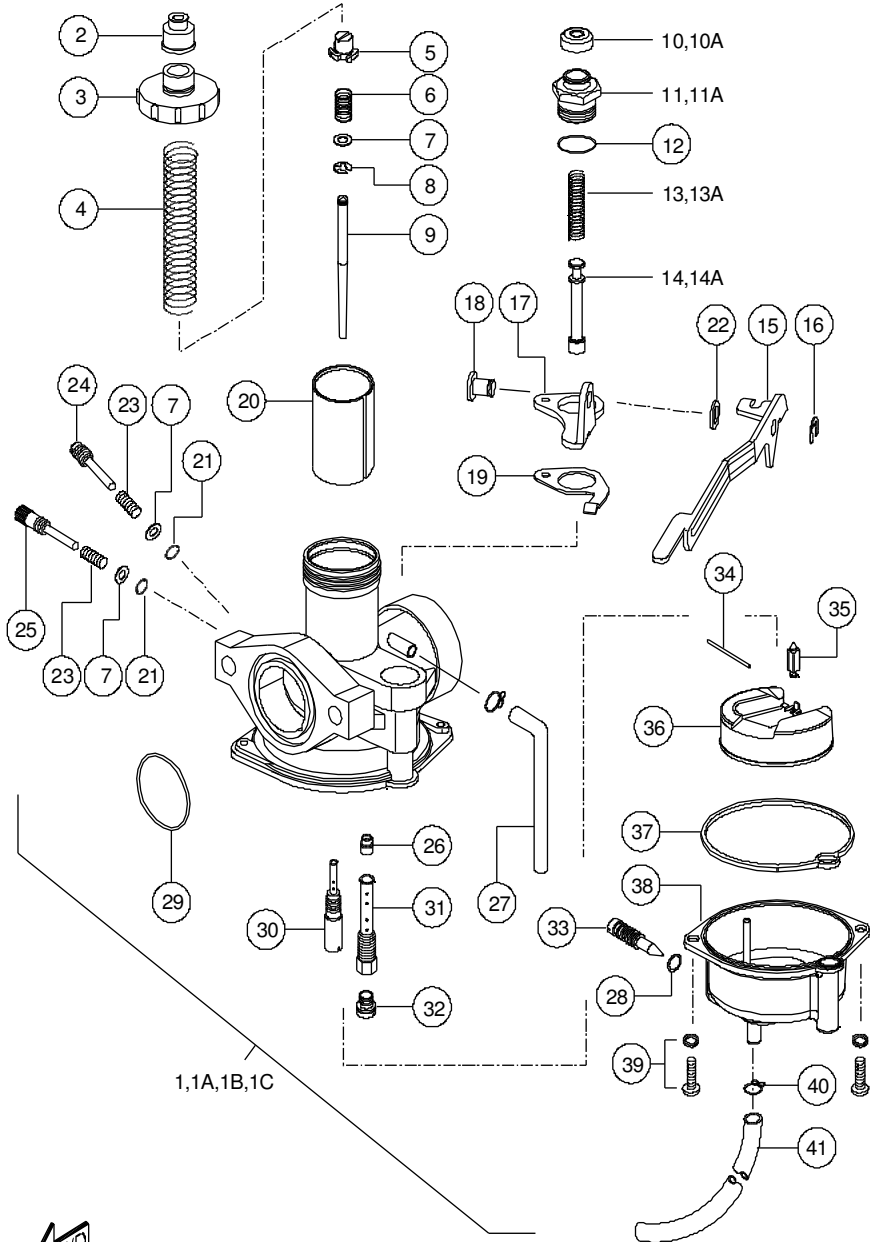


AIRCLEANER ASSEMBLY (ES)

REF NO.	PART NO.	DESCRIPTION	NO. OFF							REMARKS		
			STAR		STAR CITY		STAR SPORT		STAR CITY			
			BASE	DLX	CITY	ALLOY	REF.	DLX	CVTI		110 CVTI	
17A	R1040780	DRAIN PIPE									1	
18	N2041540	FILTER ELEMENT SAI					1			1	1	
19	---	FILTER ELEMENT					1			1		
20	---	TUBE AIRFILTER					1			1		
21	N3321480	FOAM KIT					1			1		**
22	M7041030	HOSE CLIP									1	
23	N8041210	HOSE INLET VTI									1	
24	N8040370	HOSE CLIP VACUUM									1	
25	N4160190	ACTUATOR ASSY.									1	
26	N8041220	HOSE OUTLET VTI									1	

** - REF. KIT & KIT CONTENTS

FIG.No. 13



CARBURETTOR ASSEMBLY (SPACO MAKE)

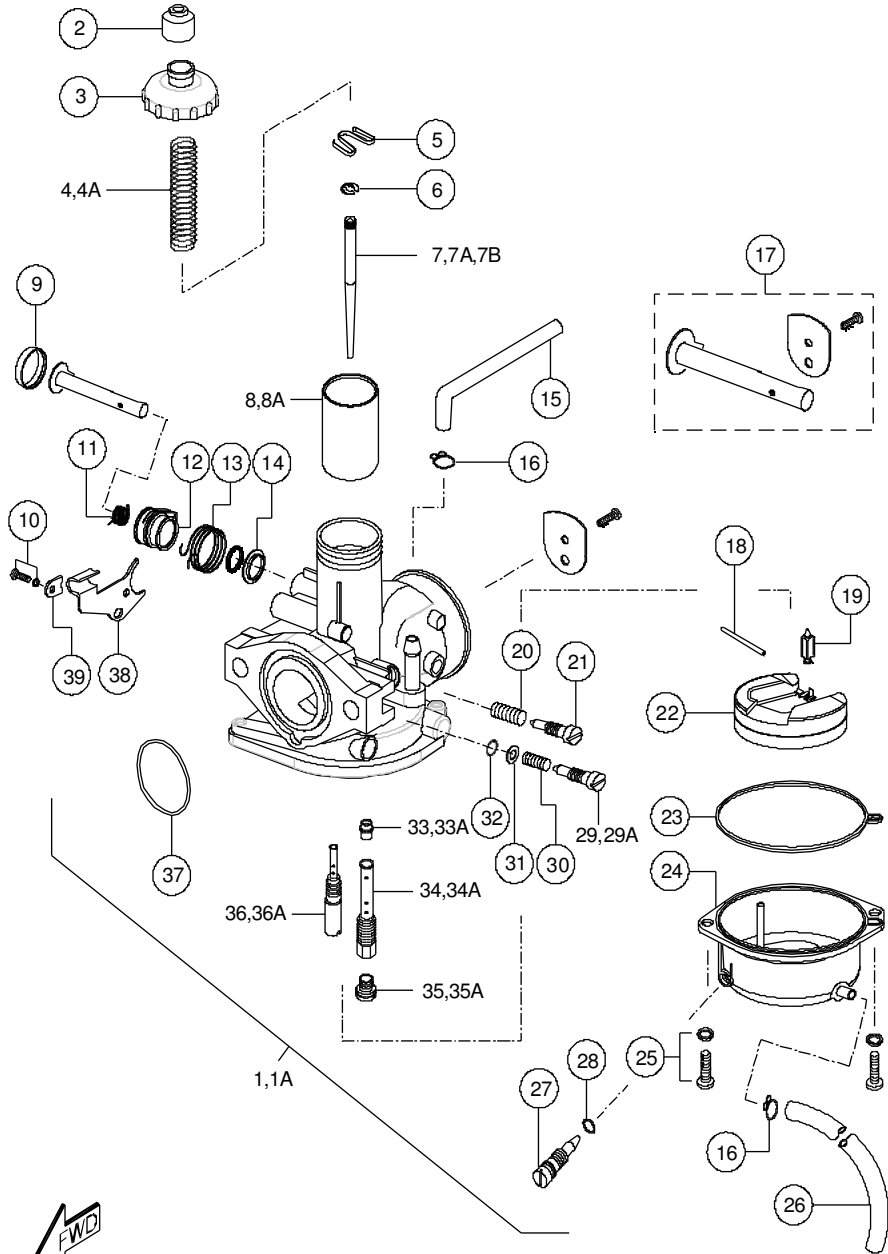
CARBURETTOR ASSY. (SPACO MAKE)

FIG.NO. 13

REF NO.	PART NO.	DESCRIPTION	NO. OFF								REMARKS
			STAR			STAR CITY		STAR SPORT		STAR CITY	
			BASE	DLX	CITY	ALLOY	REF.	DLX	CVTI	110 CVTI	
21	N8320380	O RING AS	2	2	2	2	2	2	2		
22	N8320770	WASHER CHOKE LEVER	1	1	1	1	1	1	1		
23	N8320360	SPRING AS	2	2	2	2	2	2	2		
24	N8320350	AIR SCREW (AS)	1	1	1	1	1	1	1		
25	N8320390	ADJUSTER (PISTON VALVE)	1	1	1	1	1	1	1		
26	N8320790	NEEDLE JET (JET)	1	1	1	1	1	1	1		
27	N8320480	HOSE AIR VENT	1	1	1	1	1	1	1		
28	N8320780	O RING DRAIN PLUG	1	1	1	1	1	1	1		
29	N8320560	O RING CARB. FLANGE	1	1	1	1	1	1	1		
30	N8320550	PILOT JET (H42)	1	1	1	1	1	1	1		
31	N8320540	JET HOLDER	1	1	1	1	1	1	1		
32	N8320520	MAIN JET (82)	1	1	1	1	1	1	1		
33	N8320470	SCREW DRAIN	1	1	1	1	1	1	1		
34	N8320490	PIN FLOAT	1	1	1	1	1	1	1		
35	N8320510	NEEDLE VALVE ASSY.	1	1	1	1	1	1	1		
36	N8320500	FLOAT ASSY.	1	1	1	1	1	1	1		
37	N8320440	SEAL BOWL	1	1	1	1	1	1	1		
38	N8320430	FLOAT BODY ASSY.	1	1	1	1	1	1	1		
39	N8320450	SCREW SET FLOAT CHAMBER	2	2	2	2	2	2	2		
40	N5320400	CLIP HOSE	2	2	2	2	2	2	2		
41	N8320460	HOSE DRAIN	1	1	1	1	1	1	1		



FIG.No. 13A



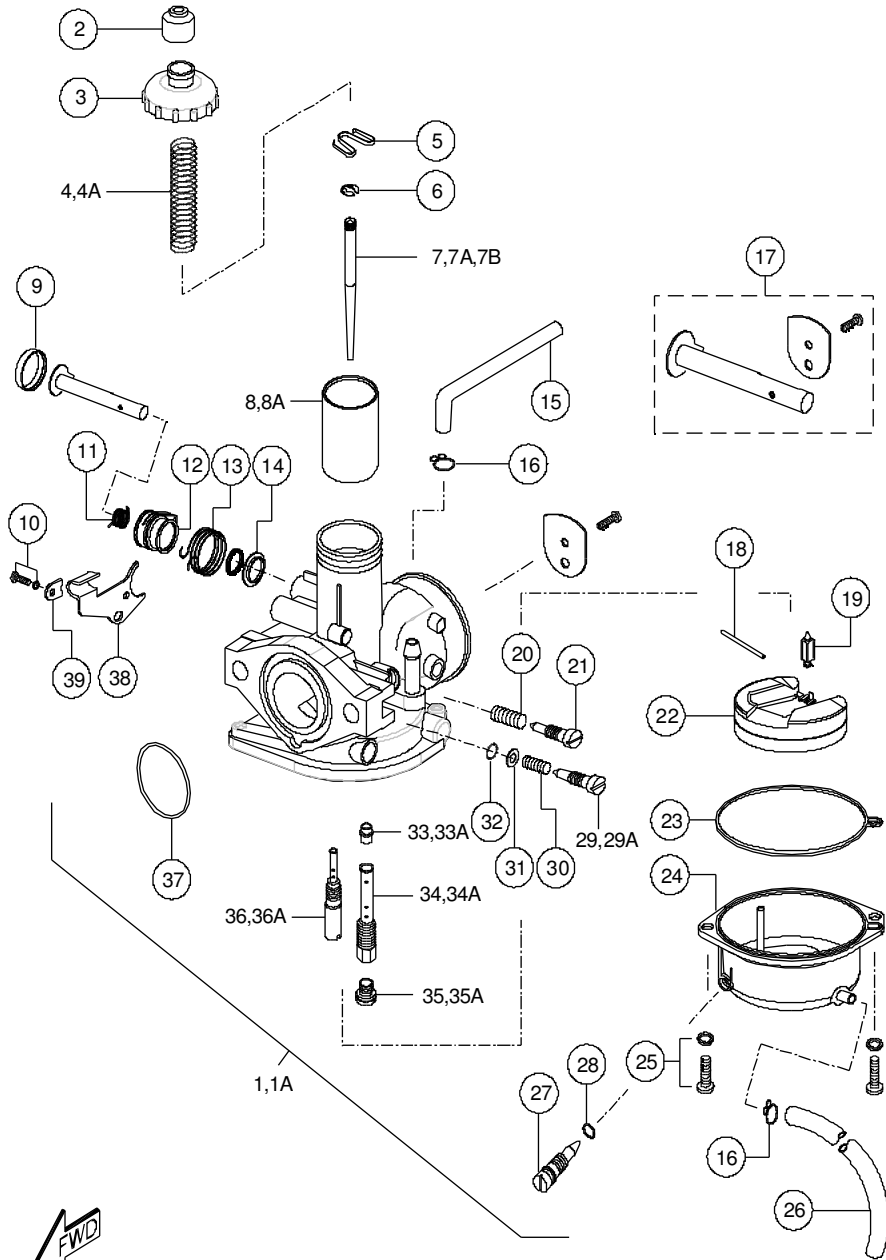
CARBURETTOR ASSY. (KEIHIN MAKE)

CARBURETTOR ASSY. (KEIHIN MAKE) - BS II FIG.NO.13A

REF NO.	PART NO.	DESCRIPTION	NO. OFF							REMARKS			
			STAR		STAR CITY		STAR SPORT		STAR CITY				
			BASE	DLX	CITY	ALLOY	REF.	DLX	CVTI		110 CVTI		
1	N8040680	CARBURETTOR ASSEMBLY			1	1	1					(KEIHIN)	
1A	N8041180	CARBURETTOR ASSEMBLY									1		
2	N8321610	TOP CAP			1	1	1					1	
3	N8321750	CAP THROTTLE			1	1	1					1	
4	N8321600	SPRING COMPRESSION AD4E			1	1	1						
4A	N8322930	SPRING COMPRESSION AD4G			1	1	1					1	*
5	N8321590	BAR CLIP			1	1	1					1	
6	N8321790	E RING			1	1	1					1	
7	N8321430	JET NEEDLE (NEEDLE) AD4E			1	1	1					1	
7A	N8322870	JET NEEDLE AD4G			1	1	1						*
7B	N8323530	JET NEEDLE										1	
8	N8321570	VALVE THROTTLE (PISTON) AD4E			1	1	1						
8A	N8322910	VALVE THROTTLE (PISTON) AD4G			1	1	1					1	*
9	N8321700	CHOCK DUST CAP			1	1	1					1	
10	N8321800	SCREW WASHER BRKT MTG.			1	1	1					1	
11	N8321810	SPRING CHOCK -1			1	1	1					1	
12	N8321820	HOLDER CHOCK			1	1	1					1	
13	N8321830	SPRING CHOCK -2			1	1	1					1	
14	N8321840	BUSH CHOCK CARB.			1	1	1					1	
15	N8321720	TUBE AIR VENT			1	1	1					1	
16	N8321730	CLIP TUBE			1	1	1					1	
17	N8321850	ROD ASSY. CHOCK			1	1	1					1	
18	N8321510	FLOAT ARM PIN			1	1	1					1	
19	N8321470	VALVE COMP. FLOAT			1	1	1					1	

* - APPLICABLE FOR THE VEHICLES FITTED WITH "KEIHIN AD4G" CARBURETTOR ASSY.

FIG.No. 13A



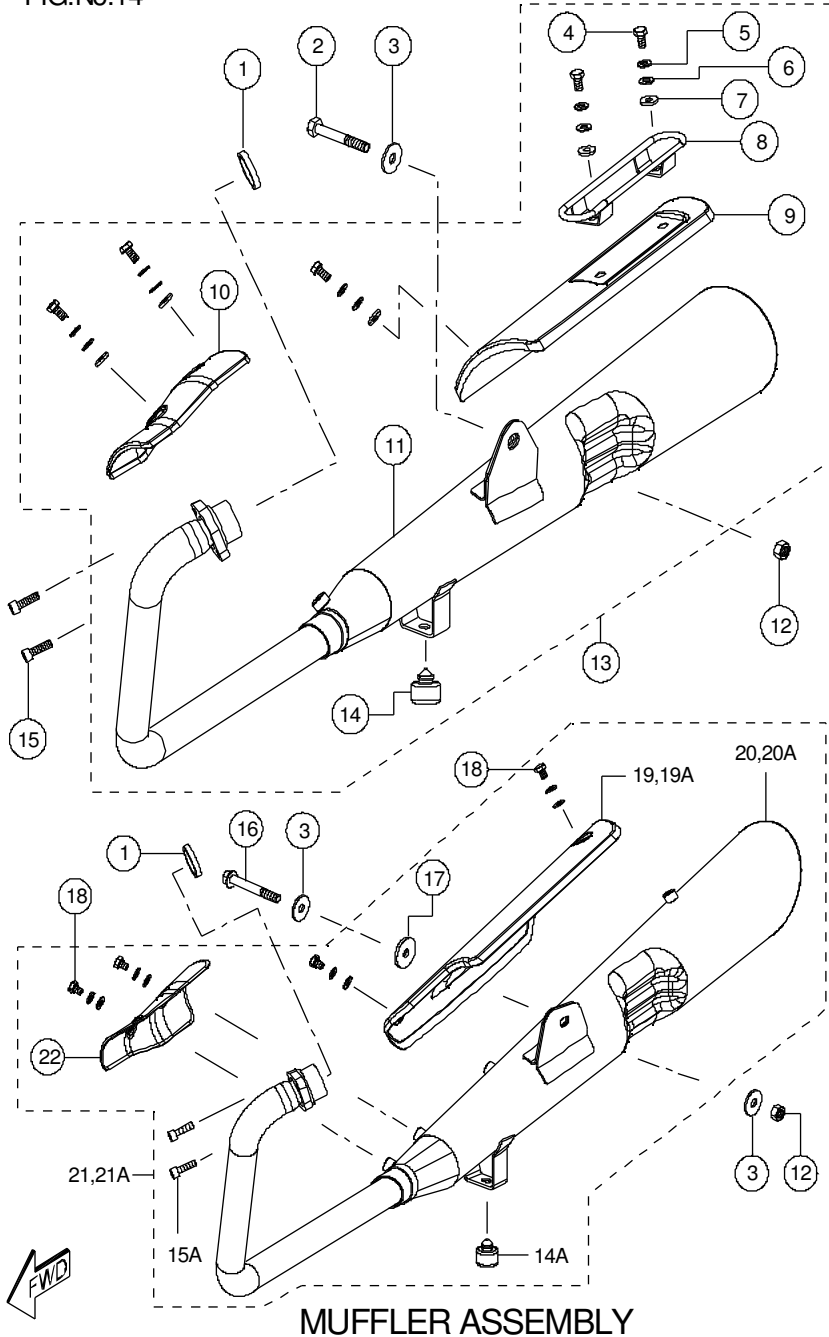
CARBURETTOR ASSY. (KEIHIN MAKE)

CARBURETTOR ASSY. (KEIHIN MAKE) - BS II FIG.NO.13A

REF NO.	PART NO.	DESCRIPTION	NO. OFF								REMARKS		
			STAR		STAR CITY		STAR SPORT		STAR CITY				
			BASE	DLX	ALLOY	REF.	DLX	CVTI	110 CVTI				
20	N8321650	SPRING STOP SCREW				1	1	1				1	
21	N8321640	SCREW STOP				1	1	1				1	
22	N8321480	FLOAT COMP.				1	1	1				1	
23	N8321530	GASKET FLOAT CHAMBER				1	1	1				1	
24	N8321520	BODY COMP. FLOAT CHAMBER				1	1	1				1	
25	N8321540	SCREW WASHER 4x14				2	2	2				1	
26	N8321710	TUBE OVER FLOW				1	1	1				1	
27	N8321550	DRAIN SCREW				1	1	1				1	
28	N8321560	O RING				1	1	1				1	
29	N8321660	SCREW ADJUSTER AD4E				1	1	1					
29A	N8322940	SCREW ADJUSTER AD4G				1	1	1				1	*
30	N8321670	SPRING IDLE MIXTURE ADJUSTER				1	1	1				1	
31	N8321680	WASHER PLAIN				1	1	1				1	
32	N8321690	O RING				1	1	1				1	
33	N8321580	NEEDLE JET AD4E				1	1	1					
33A	N8322920	NEEDLE JET AD4G				1	1	1				1	*
33B	N8323520	NEEDLE JET										1	
34	N8321440	HOLDER NEEDLE JET AD4E				1	1	1					
34A	N8322880	HOLDER NEEDLE JET AD4G				1	1	1					*
34B	N8323510	HOLDER JET NEEDLE										1	
35	N8321450	JET MAIN # 78 AD4E				1	1	1					
35A	N8322890	JET MAIN AE4G				1	1	1					*
35B	N8323540	MAIN JET										1	
36	N8321460	JET COMP. SLOW AD4E				1	1	1					
36A	N8322900	JET COMP. SLOW AD4G				1	1	1				1	*
37	N8321740	O RING 24x25				1	1	1				1	
38	N8321860	BRKT CHOCK CABLE				1	1	1				1	

* - APPLICABLE FOR THE VEHICLES FITTED WITH "KEIHIN AD4G" CARBURETTOR ASSY.

FIG.No.14



MUFFLER ASSEMBLY

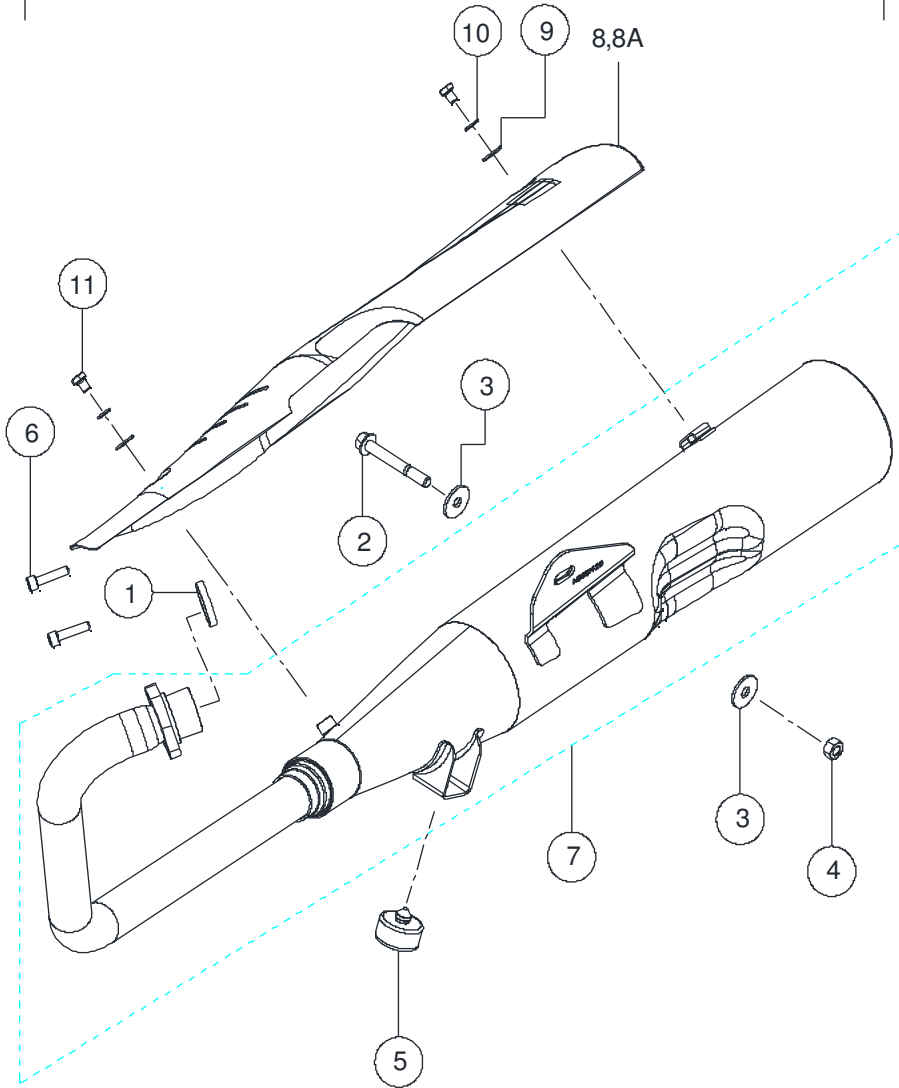
MUFFLER ASSEMBLY

FIG.NO. 14

REF NO.	PART NO.	DESCRIPTION	NO. OFF							REMARKS
			STAR		STAR CITY		STAR SPORT		STAR CITY	
			BASE	DLX	ALLOY	REF.	DLX	CVTI	110 CVTI	
1	T4050180	GASKET EXHAUST	1	1	1	1	1	1	1	
2	N3200200	HEX BOLT M8x55	1	1						
3	N3200210	PUNCHED WASHER 8.2x25x2	1	1	2	2	2	2	2	
4	N8200100	HEX SCREW M6x12	5	5						
5	N8200110	WAVE SPRING WASHER M6	5	5						
6	M7200230	PUNCHED WASHER 6.5x13x1	5	5						
7	N8050690	INSULATOR GUARD EXHAUST	5	5						
8	N8050520	LEG GUARD MUFFLER	1	1						
9	N8050680	GUARD EXHAUST RR (SIL. GREY)	1	1						
10	N8050670	GUARD EXHAUST FR (SIL. GREY)	1	1						
11	N8050340	MUFFLER COMP.	1	1						ALT.N8051730
12	0334548	HEX NUT M8	1	1	1	1	1	1	1	
13	N8320180	MUFFLER ASSY. WITH GUARD	1	1						ALT.N8051720
14	S1125310	CUSHION	1	1	1	1	1	1	1	
14A	K130190	CUSHION								1
15	N2200470	HEX SOCKET HD SCREW M6x20	2	2	2	2	2	2	2	
15A	A200050	HEX SOCKET HD SCREW M6x20								2
16	N8200150	HEX FLANGE BOLT M8x60			1	1	1	1	1	1
17	M7100630	3D WASHER A8.4			1	1	1	1	1	1
18	N5200680	HEX SCREW M6x8			4	4	4	4	4	4
19	N8220220	MUFFLER GUARD REAR BLACK			1	1	1	1	1	1
19A	N8221240	MUFFLER GUARD REAR PLATED			1	1	1	1	1	1
19B	N8221560	MUFFLER GUARD REAR								1
20	N8051080	MUFFLER COMP. (W/O GU.) PLATED			1	1	1	1	1	1
20A	N8051320	MUFFLER COMP. (W/O GU.) BLACK			1	1	1	1	1	1
21	N8321780	MUFFLER ASSY. (WITH GU.)			1	1	1	1	1	1
21A	N8051270	MUFFLER ASSY. (WITH GU.) BLACK			1	1	1	1	1	1
22	N8220230	MUFFLER GUARD FRONT PLATED			1	1	1	1	1	1
22A	N8221550	MUFFLER GUARD FRONT								1

ALT. - PL. USE ONLY ALTERNATE PART NUMBER

12,12A

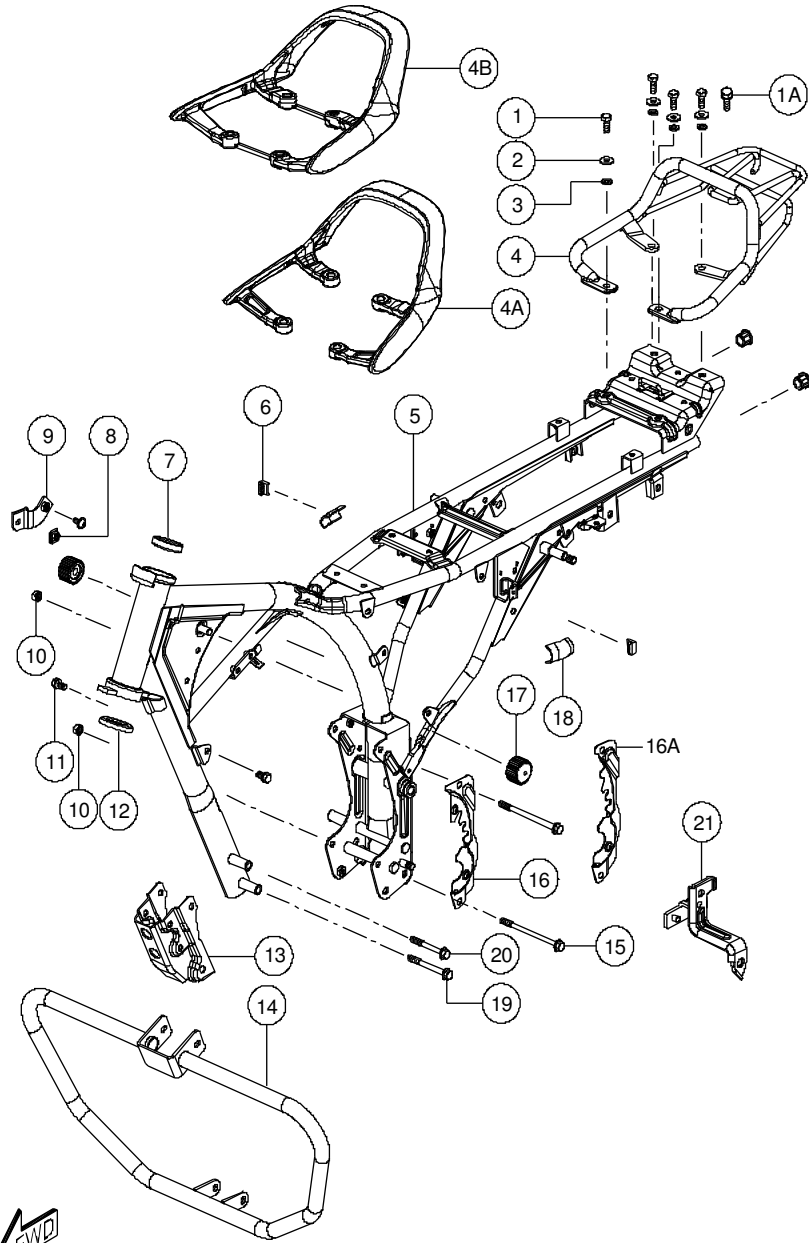


MUFFLER ASSEMBLY.

MUFFLER ASSEMBLY.

FIG.NO.14A

REF NO.	PART NO.	DESCRIPTION	NO. OFF							REMARKS		
			STAR			STAR CITY		STAR SPORT			STAR CITY	
			BASE	DLX	CITY	ALLOY	REF.	DLX	CVTI		110 CVTI	
1	T4050180	GASKET EXHAUST								1	1	
2	N8200150	HEX BOLT M8x60								1	1	
3	N3200210	PUNCHED WASHER 8.2x25.0x2								2	2	
4	0334548	HEX NUT M8								1	1	
5	K130190	STOPPER SEAT								1	1	
6	A200050	HEX SOC HD CAP SCR M6x25								2	2	
7	N8051730	MUFFLER COMPLETE								1	1	
8	N9050580	GUARD, EXHAUST								1	1	
8A	N5221920	GUARD, EXHAUST BLACK								1	1	
9	0335608	PUNCHED WASHER 6.5x16x1.2								2	2	
10	0330408	WAVE SPRING WASHER M6								2	2	
11	0331688	HEX SCREW M6x8								2	2	
12	N8051720	MUFFLER SUB ASSY. WITH GUARD								1	1	
12A	N5050730	MUFFLER SUB ASSY. WITH GUARD								1	1	BLACK

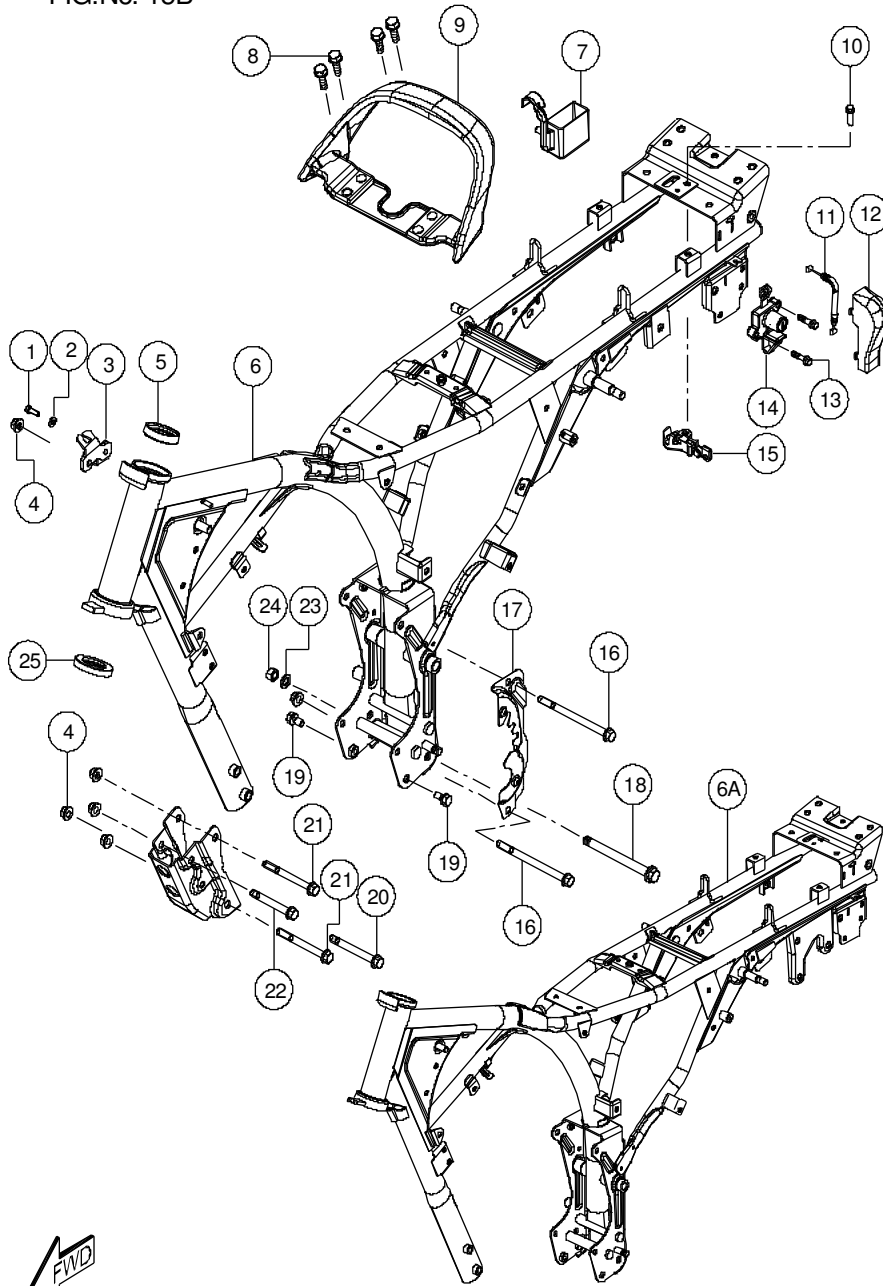


FRAME ASSEMBLY - DLX & CITY

FRAME ASSEMBLY - DLX&CITY

REF NO.	PART NO.	DESCRIPTION	NO. OFF							REMARKS			
			STAR		STAR CITY		STAR SPORT		STAR CITY				
			BASE	DLX	CITY	ALLOY	REF.	DLX	CVTI		110 CVTI		
1	420454700	HEX SCREW M8x20		4									
1A	M1200480	HEX FLANGE BOLT M8x25			4	4	4	4				4	
2	0336018	PUNCHED WASHER 8.5x20x2.8		4	4	4	4					4	
3	0330318	WAVE SPRING WASHER M8		4	4	4	4					4	
4	N8220210	PILLION HANDLE COMP.		1									
4A	N8221110	PILLION HANDLE COMP.			1	1	1						
4B	N8221580	PILLION HANDLE COMP. BLACK										1	
5	N8122170	FRAME COMP.		1	1	1	1					1	
6	N8220490	GROMMET COVER FRAME		2	2	2	2					2	
7	S1125290	RACE STEERING INNER		1	1	1	1					1	
8	S1200700	RETAINER CLIP COMP.		1	1	1	1					1	
9	N9120770	PLATE COMP. RH MTG. COVER FR.		1	1	1	1					1	
10	0334548	HEX NUT M8		4	4	4	4					4	
11	0331058	HEX BOLT M8x16(SPRING WASHER)		2	2	2	2					2	
12	K3100590	CUP BOTTOM		1	1	1	1					1	
13	N8121920	BRKT FRONT ENGINE MTG.		1	1	1	1					1	
14	N8300030	CRASH GUARD COMP.		1	1	1	1						
15	0331278	HEX FL. BOLT M8x115		2	2	2	2					2	
16	N8121490	DUST COVER CRANKCASE KS		1	1	1						1	
16A	N8122890	DUST COVER CRANKCASE ES					1					1	
17	N2140060	CUSHION FUEL TANK FRONT		2	2	2	2					2	
18	N8122300	CUSHION COVER FRAME FRONT		2	2	2	2					2	
19	N3200100	HEX FL. BOLT M8x80		2	2	2	2					2	
20	N8200030	HEX FL. BOLT M8x75		1	1	1	1					1	
21	N8124000	BRKT COMP. IGNITION COIL										1	"BLOCKED"

FIG.No. 15B



FRAME ASSEMBLY - SPORT

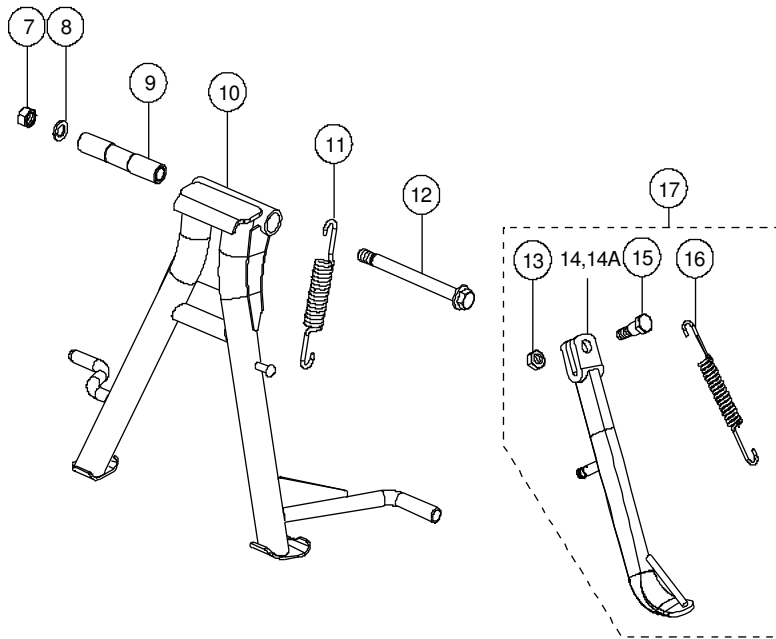
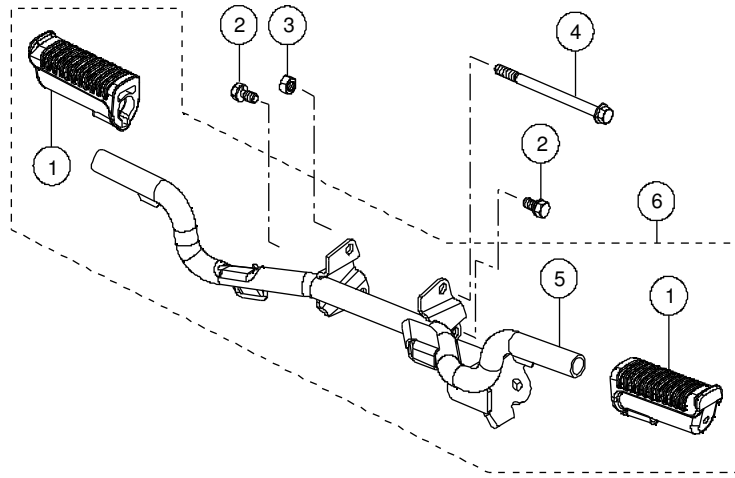
FRAME ASSEMBLY - SPORT

FIG.NO.15B

REF NO.	PART NO.	DESCRIPTION	NO. OFF						REMARKS		
			STAR			STAR CITY		STAR SPORT			
			BASE	DLX	CITY	ALLOY	REF.	DLX		CVTI	STAR CITY 110 CVTI
1	420464700	HEX SCREW M6x16						1	1		
2	0330408	PUNCHED WASHER						1	1		
3	N3121060	BRKT COMP. ABT CC&SL SWITCH						1	1		
4	M1200890	HEX FLANGE U NUT M8x1.25						6	6		
5	S1125290	RACE STEERING INNER						1	1		
6	N8122960	FRAME COMP.						1			
6A	N8124300	FRAME COMP.								1	
7	N8123770	BOX FIRST AID KIT						1	1		
8	M1200480	HEX FLANGE BOLT M8x25						4	4		
9	N8220810	HANDLE PILLION						1			
9A	N8221570	PILLION HANDLE COMP.						1	1		
10	M1200530	HEX FLANGE BOLT M6x20						1	1		
11	N8211800	CABLE COMP. SEAT LOCK						1	1		
12	N8123370	COVER SEAT LOCK CABLE						1	1		
13	N8200260	BREAK OFF BOLT						2	2		
14	N8211690	SEAT LOCK ASSY.						1	1		
15	N8211790	SEAT LATCH COMP.						1	1		
16	0331278	HEX FLANGE BOLT M8x1.25x115						2	2		
17	N8121490	DUST COVER CRANKCASE						1	1		
18	N8200050	HEX FL BOLT M10x1.25x110						1	1		
19	0331058	HEX BOLT M8x16+SPRING WASHER						2	2		
20	N8200030	HEX FL BOLT M8x75						1	1		
21	N3200100	HEX FL BOLT M8x65						2	2		
22	N8200040	HEX FL BOLT M8x65						1	1		
23	0330328	WAVE SPRING WASHER M10						1	1		
24	0334038	HEX NUT M10x1.25						1	1		
25	K3100590	CUP BOTTOM						1	1		
26	N8211780	LOCK SET						1	1		N.I

N.I - NOT ILLUSTRATED

CENTER STAND & FOOTREST ASSEMBLY

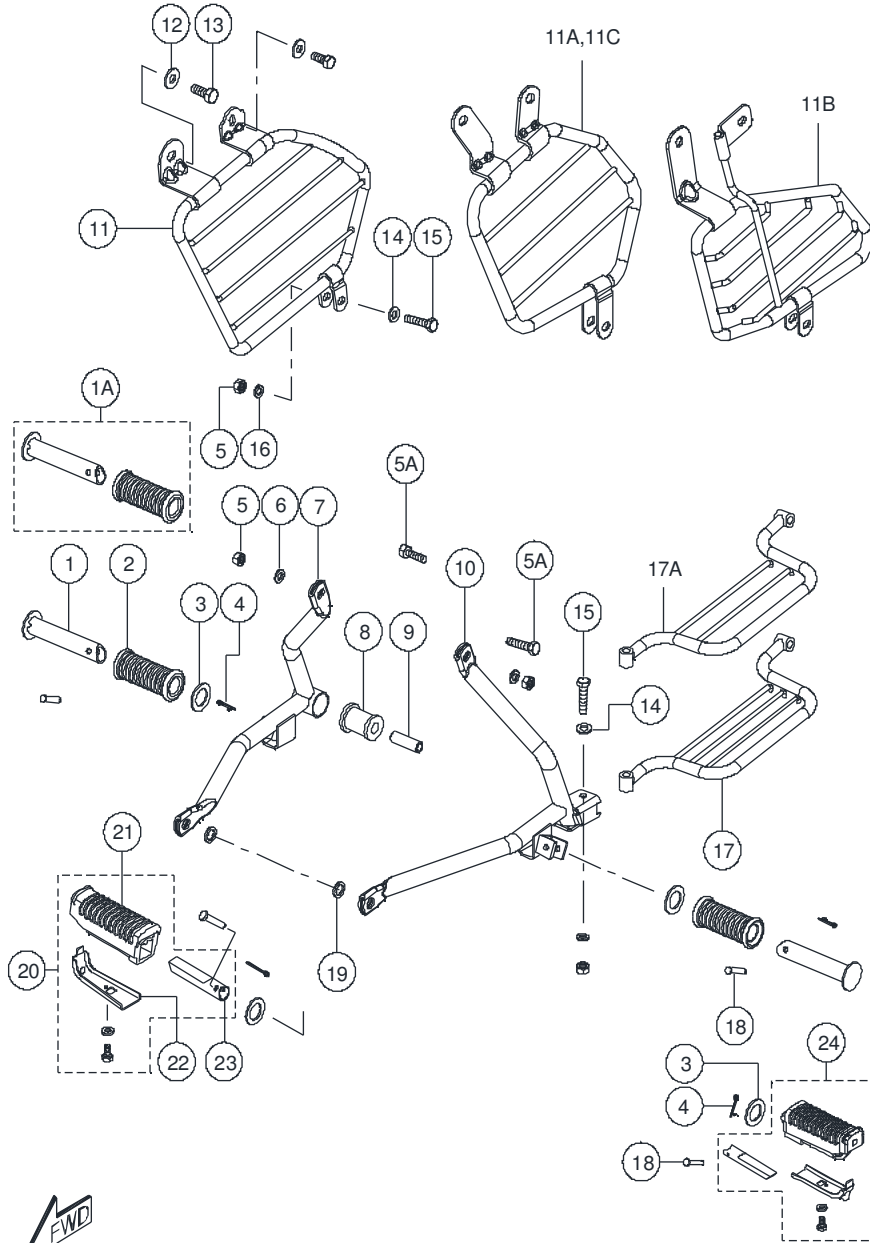


CENTER STAND & FOOTREST ASSEMBLY

REF NO.	PART NO.	DESCRIPTION	NO. OFF								REMARKS	
			STAR			STAR CITY		STAR SPORT		STAR CITY		
			BASE	DLX	CITY	ALLOY	REF.	DLX	CVTI	110 CVTI		
1	N3122460	RUBBER FOOTREST PILLION	2	2	2	2	2	2	2	2		
2	0331058	HEX BOLT M5x16	2	2	2	2	2	2	2	2		
3	0334548	HEX NUT M8	2	2	2	2	2	2	2	2		
4	0331278	HEX FLANGE BOLT M8x115	1	1	1	1	1	1	1	1		
5	N8120990	BAR COMP FOOTREST FRONT	1	1	1	1	1	1	1	1		
6	N8320060	FOOTREST ASSY.	1	1	1	1	1	1	1	1		
7	0334038	HEX NUT M10	1	1	1	1	1	1	1	1		
8	0330328	WAVE SPRING WASHER M10	1	1	1	1	1	1	1	1		
9	N3121540	SPACER CENTER STAND	1	1	1	1	1	1	1	1		
10	N8120930	STAND COMP. CENTER STAND	1	1	1	1	1	1	1	1		
11	N3120860	SPRING CENTER STAND	1	1	1	1	1	1	1	1		
12	N8200050	HEX FL. BOLT M10x1.25x110	1	1	1	1	1	1	1	1		
13	N3200160	HEX NUT M8	1	1	1	1	1	1	1	1		
14	N8121730	PROP STAND COMP.	1	1	1	1	1	1				
14A	N8124310	PROP STAND COMP.								1	1	
15	N9200010	HEX BOLT M8x1.25x30	1	1	1	1	1	1	1	1		
16	N8121890	SPRING PROP STAND	1	1	1	1	1	1	1	1		
17	N8320080	PROP STAND KIT	1	1	1	1	1	1			**	
17A	N8323740	PROP STAND KIT								1	1	**

** - REF. KIT & KIT CONTENTS

FIG.No. 17



PILLION FOOTREST ASSEMBLY LH & RH

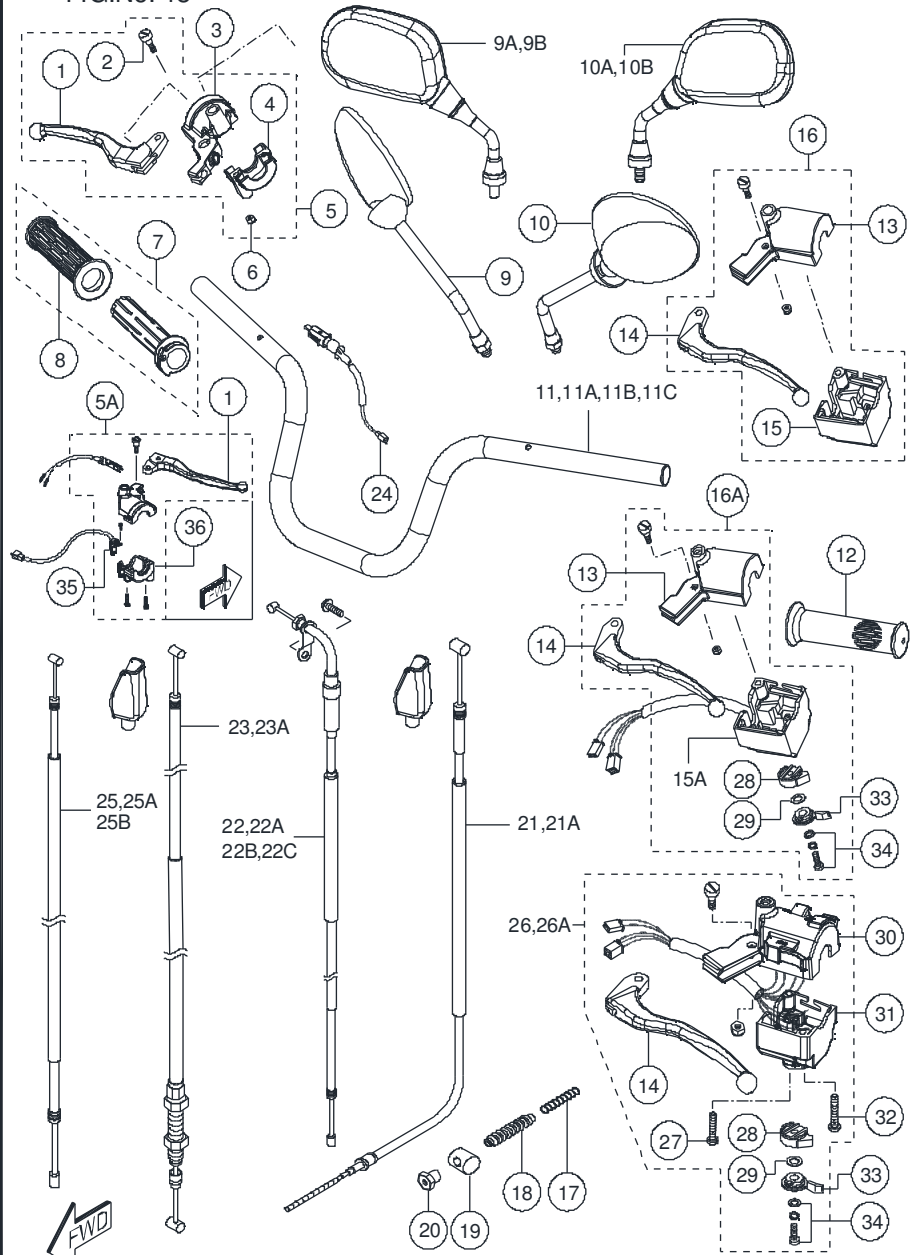
PILLION FOOTREST ASSEMBLY LH & RH

FIG.NO. 17

REF NO.	PART NO.	DESCRIPTION	NO. OFF							REMARKS	
			STAR		STAR CITY		STAR SPORT		STAR CITY		
			BASE	DLX	CITY	ALLOY	REF.	DLX	CVTI		110 CVTI
1	0250028	BAR COMP. PILLION FOOTREST	2	2	2	2	2	2			
1A	N8122910	BAR COMP. PILLION FOOTREST							2	2	
2	0258100	RUBBER PILLION FOOTREST	2	2	2	2	2	2	2	2	2
3	0335728	PUNCHED WASHER	2	2	2	2	2	2	2	2	2
4	0330048	SPLIT PIN	2	2	2	2	2	2	2	2	2
5	0334548	HEX NUT M8	4	4	4	4	4	4	2	2	
5A	M1200480	HEX FL. BOLT M8x25							2	2	
6	A200500	WAVE SPRING WASHER	3	3	3	3	3	3	3	3	3
7	N8121640	TUBE PILLION FOOTREST RH	1	1	1	1	1	1	1	1	1
8	N2121060	CUSHION EXHAUST MTG.	1	1	1	1	1	1	1	1	1
9	N3050350	SPACER MUFFLER BRKT.	1	1	1	1	1	1	1	1	1
10	N8121590	TUBE PILLION FOOTREST LH	1	1	1	1	1	1	1	1	1
11	N8300020	SAREE GUARD COMP. STAR	1								
11A	N8220190	SAREE GUARD COMP.		1	1	1	1				
11B	N8221080	SAREE GUARD COMP. SPORT							1		
11C	N8221440	SAREE GUARD COMP. BLACK									1
12	0336018	PUNCHED WASHER 8.5x20x2	2	2	2	2	2	2	2	2	2
13	420452700	HEX SCREW M6x12	2	2	2	2	2	2	2	2	2
14	420007700	PUNCHED WASHER	2	2	2	2	2	2	2	2	2
15	S1101250	HEX BOLT M8x35	2	2	2	2	2	2	2	2	2
16	0330318	WAVE SPRING WASHER	1	1	1	1	1	1	1	1	1
17	N8300040	FOOTREST COMP. PILLION STAR	1								
17A	N8220200	FOOTREST COMP. PILLION		1	1	1	1	1			
17B	N8221460	FOOTREST SAREE GUARD BLACK									1
18	S1125300	PIN PILLION FOOTREST	2	2	2	2	2	2	2	2	2
19	0335708	PUNCHED WASHER 15.5x26x2.3	2	2	2	2	2	2	2	2	2
20	N3120940	HOLDER ASSY. RH PILLION	1	1	1*						
21	N3120630	RUBBER FOOTREST PILLION	2	2	2*						
22	N3120890	PLATE FOOTREST	2	2	2*						
23	N3120650	HOLDER FOOTREST PILLION	2	2	2*						
24	N3120910	HOLDER ASSY. LH PILLION	1	1	1*						

* - APPLICABLE FOR THE VEHICLE PRODUCED BEFORE SEP. 2005

FIG.No. 18



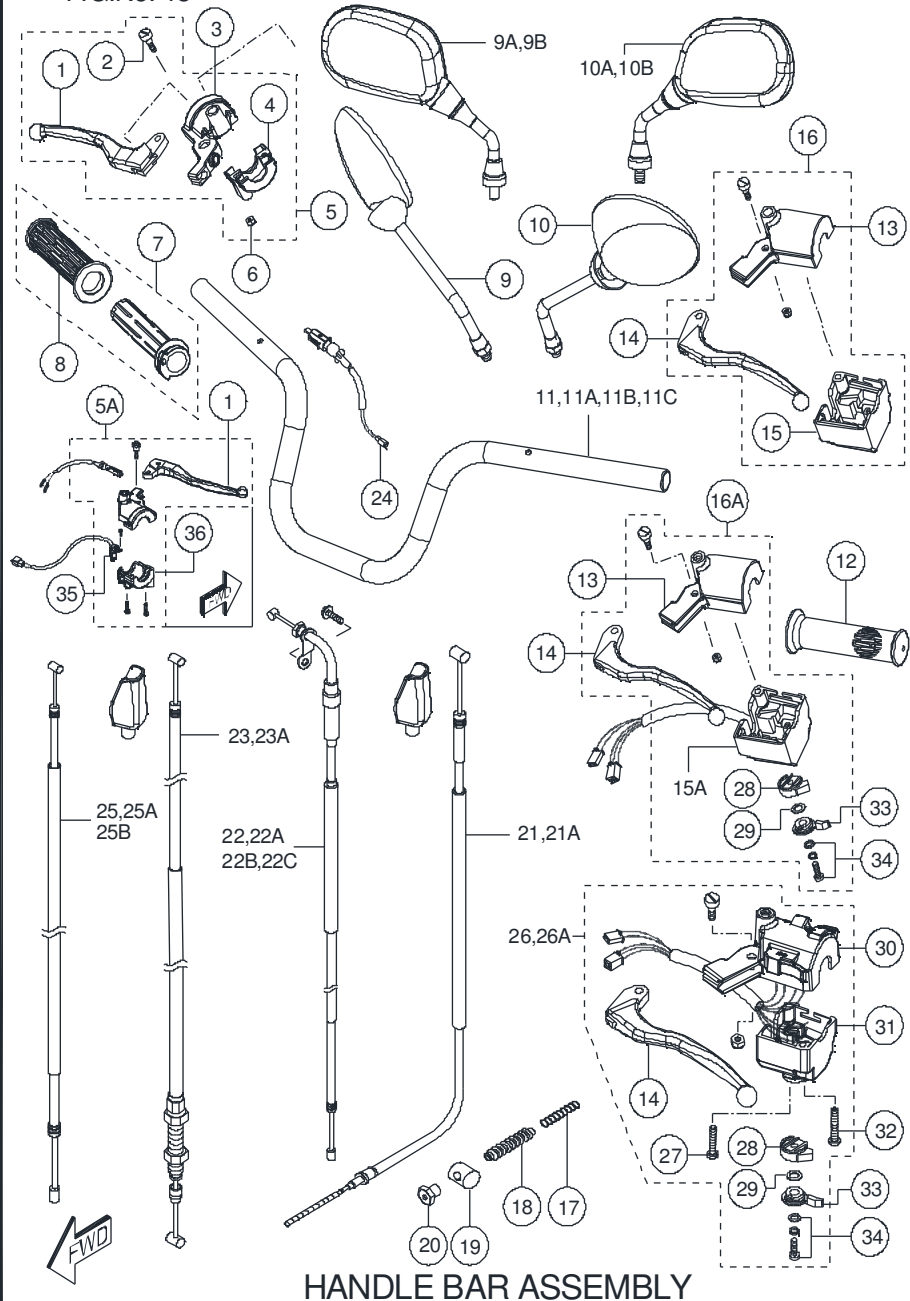
HANDLE BAR ASSEMBLY

HANDLE BAR ASSEMBLY

FIG.NO. 18

REF NO.	PART NO.	DESCRIPTION	NO. OFF								REMARKS	
			STAR			STAR CITY		STAR SPORT		STAR CITY		
			BASE	DLX	CITY	ALLOY	REF.	DLX	CVTI	110 CVTI		
1	N5150150	BRAKE LEVER	1	1	1	1	1			1	1	
2	N3150280	SPECIAL BOLT M5	2	2	2	2	2			2	2	
3	N8150150	HOLDER BRAKE	1	1	1	1	1			1	2	
4	N8160200	CASE UNDER RH	1	1	1	1	1			1	1	KS
5	N8150120	BRAKE LEVER&SWITCH ASSY. RH	1	1	1	1	1			1	1	KS
5A	N8160480	CONTROL LEVER ASSY. RH						1		1	1	ES
6	415021000	NYLON LOCK NUT M5 x 0.8	2	2	2	2	2			2	2	
7	N8150190	GRIP COMP. THROTTLE	1	1	1	1	1			1	1	
8	0168510	RUBBER THROTTLE GRIP	1	1	1	1	1			1	1	
9	N8150100	MIRROR ASSY. RH	1									
9A	N8220430	MIRROR ASSY. RH		1	1							N.I
9B	N8221100	MIRROR ASSY. RH (DUAL TONE)				1	1			1	1	
10	N8150090	MIRROR ASSY. LH	1									
10A	N8220420	MIRROR ASSY. LH		1	1							N.I
10B	N8221090	MIRROR ASSY. LH (DUAL TONE)				1	1			1	1	
11	N8150110	HANDLE BAR	1	1	1	1	1				1	
11A	N81501105D	HANDLE BAR									1	

FIG.No. 18



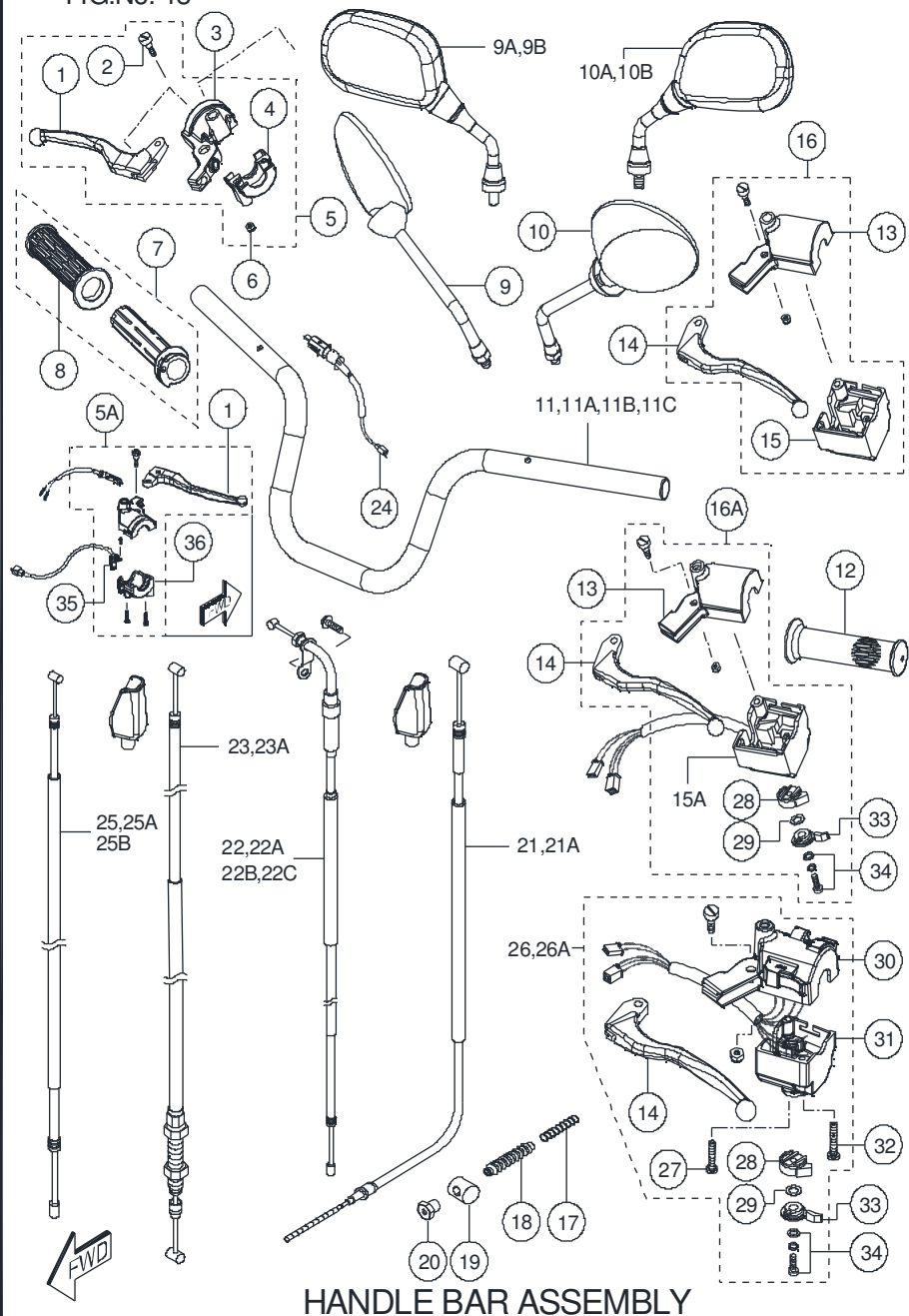
HANDLE BAR ASSEMBLY

FIG.NO. 18

REF NO.	PART NO.	DESCRIPTION	NO. OFF							REMARKS			
			STAR		STAR CITY		STAR SPORT		STAR CITY				
			BASE	DLX	CITY	ALLOY	REF.	DLX	CVTI		110 CVTI		
11B	N8150380	HANDLE BAR (CHROME PLATED)								1	1		
11C	N81503805D	HANDLE BAR (BLACK)									1	1	ES
12	N8150180	GRIP LH	1	1	1	1	1	1	1	1	1	1	
13	N8150160	HOLDER CLUTCH	1	1									
14	N5150120	CLUTCH LEVER	1	1	1	1	1				1		
15	N8160190	CASE UNDER LH	1*										
15A	N8150240	CASE UNDER LH (W.CHOKE PROV.)	1	1									
16	N8150050	CONTROL SWITCH ASSY. LH	1*										
16A	N8150220	CONTROL SWITCH ASSY. LH	1	1							1		
17	N2110690	SPRING FRONT BRAKE CABLE	1	1	1	1	1	1	1	1	1	1	
18	N2110680	DUST SEAL FRONT BRAKE CABLE	1	1	1	1	1	1	1	1	1	1	
19	S1111940	PIN FRONT CABLE LEVER	1	1	1	1	1	1	1	1	1	1	
20	0334268	NUT FRONT BRAKE CABLE ADJ.	1	1	1	1	1	1	1	1	1	1	
21	N5170020	CABLE ASSY. FRONT BRAKE	1	1									SPOKE
21A	N3170010	CABLE ASSY. FRONT BRAKE			1	1	1	1	1	1	1	1	ALLOY
21B	N8170180	CABLE ASSY. FRONT BRAKE									1		
22	N8170050	CABLE ASSY. THROTTLE	1	1	1	1							SPACO
22A	N8170100	CABLE ASSY. THROTTLE			1	1							KEIHIN

* - APPLICABLE FOR THE VEHICLE PRODUCED BEFORE 2005

FIG.No. 18



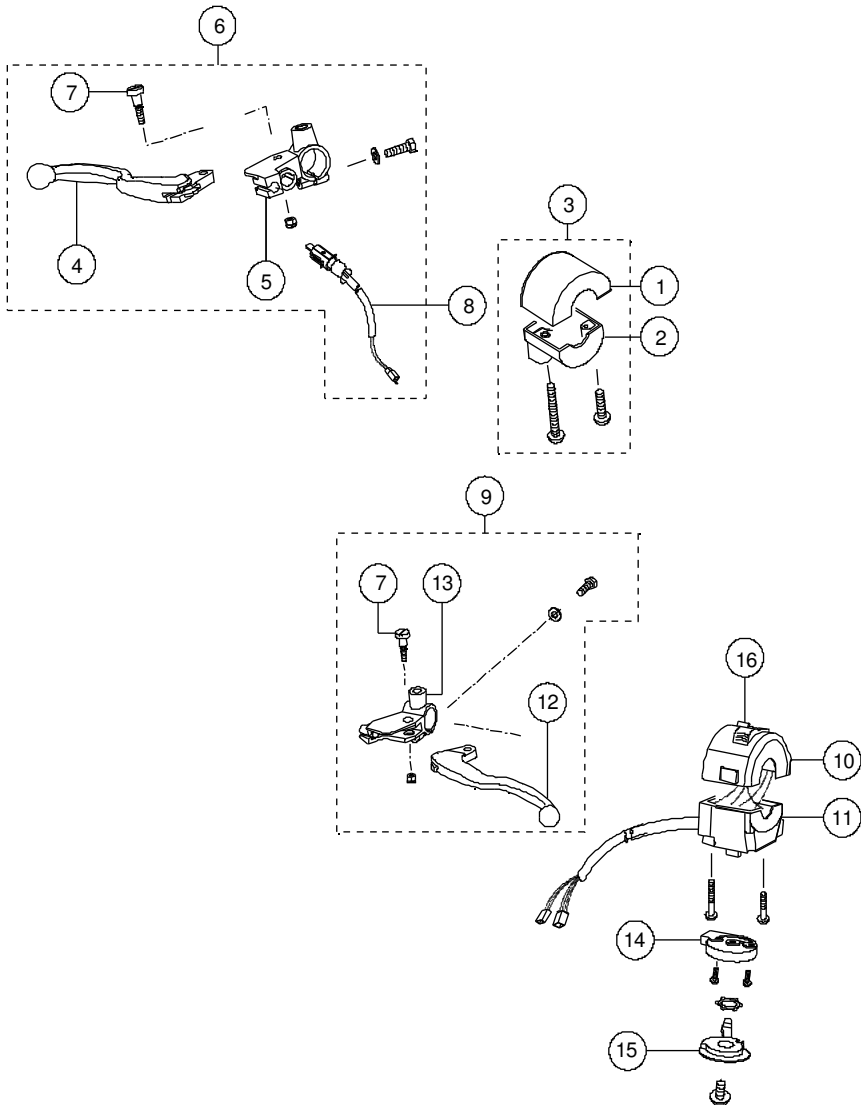
HANDLE BAR ASSEMBLY

HANDLE BAR ASSEMBLY

FIG.NO. 18

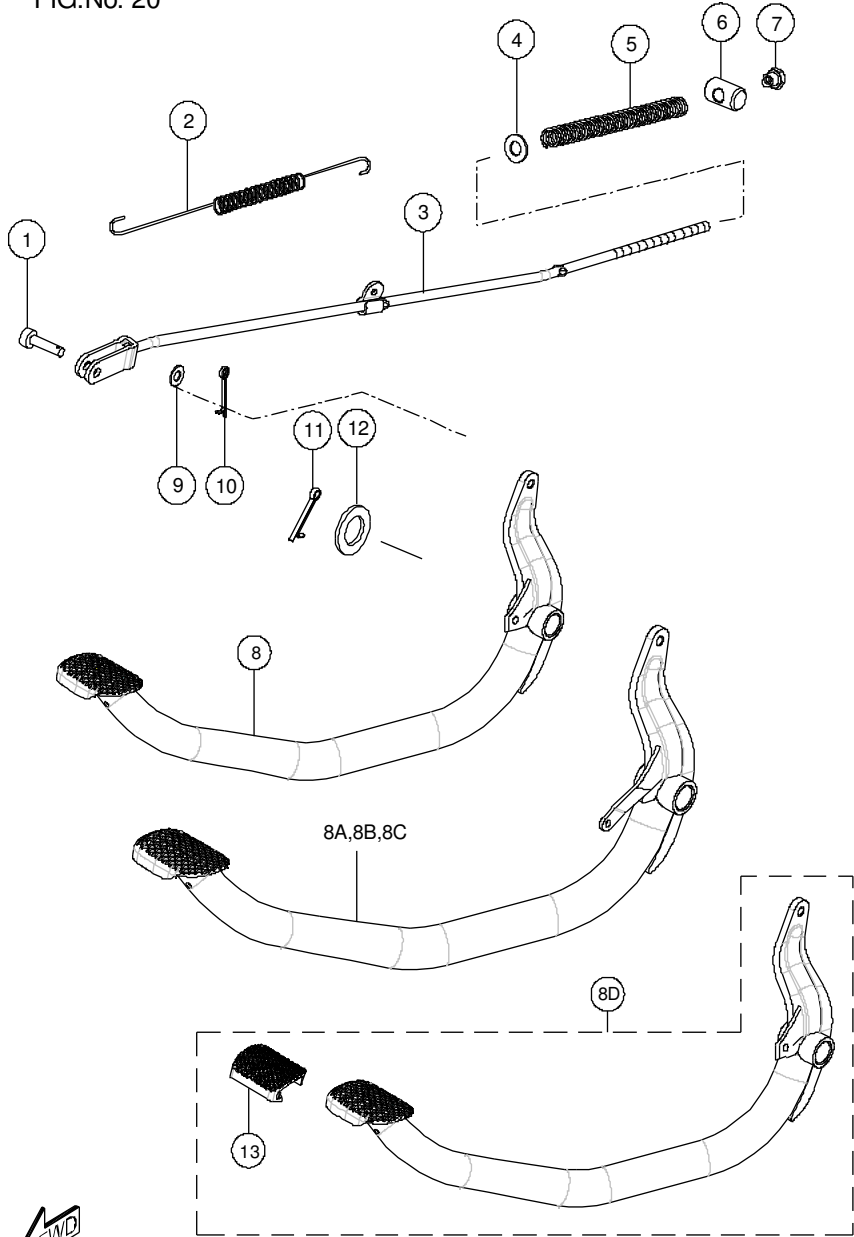
REF NO.	PART NO.	DESCRIPTION	NO. OFF							REMARKS			
			STAR		STAR CITY		STAR SPORT		STAR CITY				
			BASE	DLX	CITY	ALLOY	REF.	DLX	CVTI		110 CVTI		
22B	N8170170	CABLE ASSY. THROTTLE						1					SPACO
22C	N8170220	CABLE ASSY. THROTTLE						1					KEIHIN
22D	N8170200	CABLE ASSY. THROTTLE							1	1			
22E	N8170330	CABLE ASSY. THROTTLE										1	
23	N8170040	CABLE ASSY. CLUTCH	1	1	1	1	1						1
23A	N8170190	CABLE ASSY. CLUTCH							1	1			
24	N3320510	SWITCH STOP LAMP FRONT						1	1				
25	0167060	CABLE ASSY. CHOKE	1*	1									
25A	N8170130	CABLE ASSY. CHOKE			1	1	1						1
25B	N8170210	CABLE ASSY. CHOKE							1	1			
26	N8160390	CONTROL SWITCH ASSY. LH			1	1	1						
26A	N8161130	CONTROL SWITCH ASSY. LH	1									1	1
27	0332808	CRR PAN HEAD SCREW M5x25		1	1	1	1				1	1	
28	3168610	BODY CHOKE LEVER	1	1	1	1	1				1	1	
29	3160424	ADJUSTER WASHER	1	1	1	1	1				1	1	
30	N8160440	HOLDER CLUTCH LH (CASE UPPER)			1	1	1				1	1	
31	N8160450	CASE UNDER LH			1	1	1				1	1	
32	0331728	CRR PAN HEAD SCREW M5x30			1	1	1				1	1	
33	3168600	LEVER CHOKE	1	1	1	1	1				1	1	
34	3160725	SET SCREW	1	1	1	1	1				1	1	
35	N8160950	SWITCH STARTER						1					1
36	N8160940	CONTROL SWITCH CASEUNDER RH						1					1

* - APPLICABLE FOR THE VEHICLE PRODUCED AFTER JULY 2005



BRAKE LEVER & SWITCH ASSY.

REF NO.	PART NO.	DESCRIPTION	NO. OFF								REMARKS		
			STAR			STAR CITY		STAR SPORT		STAR CITY			
			BASE	DLX	CITY	ALLOY	REF.	DLX	CVTI	110 CVTI			
1	N8160980	THROTTLE HOLDER UPPER RH								1			
2	N8160990	THROTTLE HOLDER LOWER RH								1			
3	N8160810	THROTTLE HOLDER ASSY. RH								1			
4	N8150550	LEVER RH								1			
5	N8150560	BRACKET LEVER RH								1			
6	N8150610	LEVER ASSY. RH								1			
7	N3150280	SPECIAL BOLT M5								2			
8	N3320510	SWITCH STOP LAMP FRONT								1			
9	N8150600	LEVER ASSY. LH								1			
10	N8161000	CONTROL SWITCH CASE UPPER LH								1			
11	N8161010	CONTROL SWITCH CASE LOWER LH								1			
12	N8150520	LEVER LH								1			
13	N8150530	BRACKET LEVER LH								1			
14	N8323430	BODY CHOKE LEVER								1			
15	N8323440	LEVER CHOKE								1			
16	N8160800	SWITCH ASSY. LH								1			



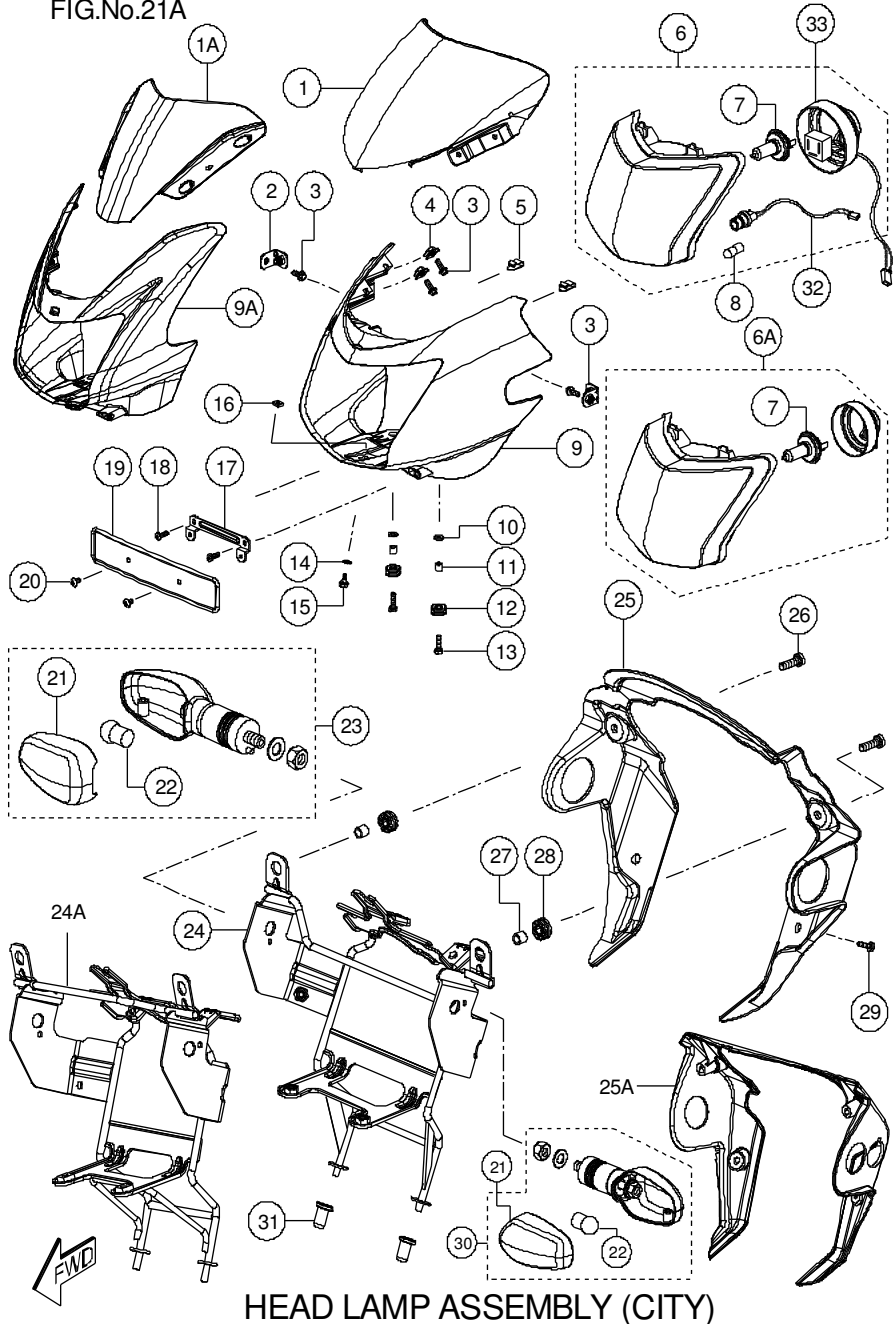
BRAKE PEDAL ASSEMBLY

BRAKE PEDAL ASSEMBLY

REF NO.	PART NO.	DESCRIPTION	NO. OFF								REMARKS
			STAR			STAR CITY		STAR SPORT		STAR CITY	
			BASE	DLX	CITY	ALLOY	REF.	DLX	CVTI	110 CVTI	
1	N2110600	PIN REAR BRAKE CONNECTOR	1	1	1	1	1	1	1	1	
2	N2110700	BRAKE RETURN SPRING	1	1	1	1	1	1	1	1	
3	N8110970	ROD COMP. REAR BRAKE	1	1	1	1	1			1	
3A	N8111520	ROD COMP. REAR BRAKE							1	1	1
4	0335578	PUNCHED WASHER	1	1	1	1	1	1	1	1	1
5	N3110360	SPRING RR BRAKE ROD ADJUSTER	1	1	1	1	1	1	1	1	1
6	S1111930	PIN REAR BRAKE ROD LEVER	1	1	1	1	1	1	1	1	1
7	0334278	NUT REAR BRAKE ROD ADJ.	1	1	1	1	1	1	1	1	1
8	N3111020	PEDAL COMP. BRAKE	1	1	1	1	1				
8A	N8111470	PEDAL COMP. BRAKE							1		
8B	N8112360	BRAKE PEDAL COMP. DRUM								1	
8C	N81114705D	PEDAL COMP BRAKE (BLACK)								1	
8D	N8112380	BRAKE PEDAL ASSY. (DRUM)									1
9	0335558	PUNCHED WASHER 5.5x12x1	1	1	1	1	1	1	1	1	1
10	0330048	SPLIT PIN 2.0x20	1	1	1	1	1	1	1	1	1
11	0330028	SPLIT PIN 3.2x25	1	1	1	1	1	1	1	1	1
12	0335708	PUNCHED WASHER 15.5x26x2.3	1	1	1	1	1	1	1	1	1
13	N8112359	PROTECTOR BRAKE PEDAL								1	

(BLACK)

FIG.No.21A



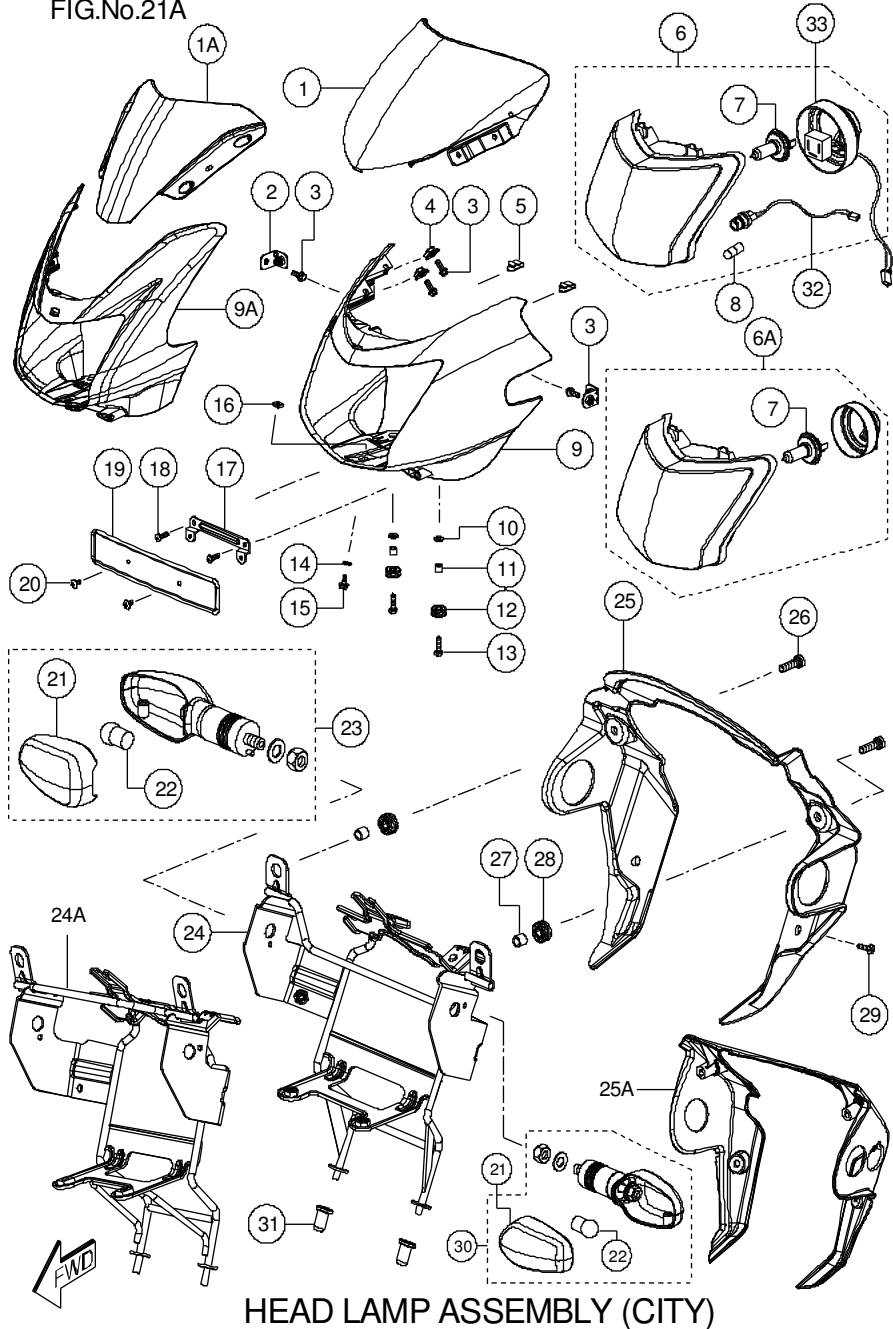
HEAD LAMP ASSEMBLY (CITY)

HEAD LAMP ASSEMBLY (CITY)

FIG.NO. 21A

REF NO.	PART NO.	DESCRIPTION	NO. OFF								REMARKS		
			STAR		STAR CITY		STAR SPORT		STAR CITY				
			BASE	DLX	ALLOY	REF.	DLX	CVTI	110 CVTI				
1	N8220370	VISOR HEAD LAMP			1	1	1						
1A	N8221290	VISOR HEAD LAMP										1	
2	M7121680	BRKT COMP. HOUSING HEAD LAMP			2	2	2					2	
2A	N8221310	BRKT COMP. HOUSING HEAD LAMP										1	
3	N3200150	HEX FLANGE BOLT M6x16			6	6	6					6	
4	K3200840	RETAINER CLIP COMP. PANEL			4	4	4					4	
5	N8220460	CLIP HEAD LAMP			2	2	2					2	
6	N8160340	HEAD LAMP ASSY.			1	1	1						
6A	N8161120	HEAD LAMP ASSY.										1	
7	M7160190	BULB HEAD LAMP			1	1	1					1	
8	K3160520	BULB PILOT 12V 3.4W HEAD LAMP			1	1	1						
9	---	HOUSING HEAD LAMP FRONT			1	1	1					1	REF.COLOUR MATRIX
10	420001700	PUNCHED WASHER A6.6			2	2	2					2	
11	N3120140	BUSH TAIL COVER			2	2	2					2	
12	N3120130	GROMMET HEAD LAMP			2	2	2					2	
13	M1200610	HEX SCREW M6x20			2	2	2						
13A	M1200160	HEX SCREW M6x45										2	
14	420201000	MULTI TOOTH LOCK WASHER A6.4			1	1	1					1	
15	N8160350	SPL HEX FLANGE BOLT M4x12			1	1	1					1	
16	N8321770	INSERT NUT			1	1	1					1	
17	N8220510	BRKT LICENSE PLATE			1	1	1					1	

FIG.No.21A



HEAD LAMP ASSEMBLY (CITY)

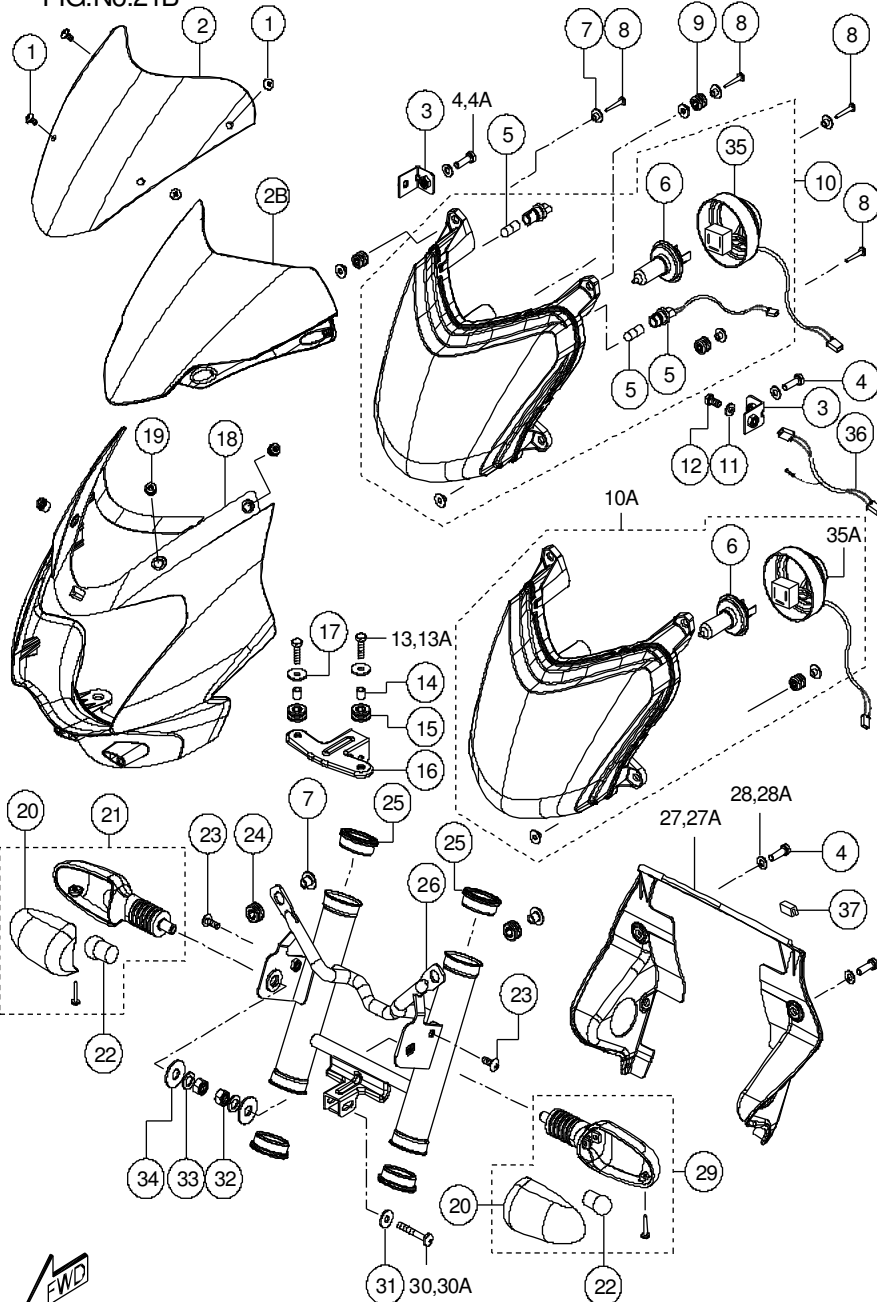
HEAD LAMP ASSEMBLY (CITY)

FIG.NO. 21A

REF NO.	PART NO.	DESCRIPTION	NO. OFF						REMARKS				
			STAR		STAR CITY		STAR SPORT			STAR CITY			
			BASE	DLX	CITY	ALLOY	REF.	DLX		CVTI	110 CVTI		
18	0332408	CRR PAN HEAD SCREW M5x20			2	2	2						
19	N3211120	LICENSE PLATE FRONT			1	1	1						1
20	N8200080	CRR FL. PAN HD SCREW M5x10			2	2	2						2
21	N8321130	LENS CUM REFLECTOR UNIT		2	2	2	2						2
22	1220230	BULB TURN SIGNAL LAMP		2	2	2	2						2
23	N8160290	TURN SIGNAL LAMP ASSY. FR. RH		1	1	1	1						1
23A	N5223090	TURN SIGNAL LAMP ASSY FR. RH											1
24	N8220410	BRKT COMP. HEAD LAMP HOUSING			1	1	1						
24A	N8221310	BRKT COMP. HEAD LAMP HOUSING											1
24B	N5222830	BRKT COMP. HEAD LAMP HOUSING											1
25	N8220440	HOUSING HEAD LAMP REAR			1	1	1						
25A	N8221300	HOUSING HEAD LAMP REAR											1
25B	N8222050	HOUSING HEAD LAMP REAR											1
25C	N5222820	HOUSING HEAD LAMP REAR											1
26	M1200610	HEX SCREW M6x20			2	2	2						2
27	N3120140	BUSH TAIL COVER			2	2	2						
28	N8220180	GROMMET TAIL COVER			2	2	2						2
29	N5200440	CRR PAN HEAD SCREW M6x20			2	2	2						2
30	N8160280	TURN SIGNAL LAMP ASSY. FR. LH		1	1	1	1						1
30A	N5223080	TURN SIGNAL LAMP ASSY. FR. LH											1
31	N8220500	PLUG BRKT HOUSING HEAD LAMP			2	2	2						2
32	N8161760	CORD SET POSITION LAMP		1	1	1	1						
33	N8321070	BULB HOLDER COMP.		1	1	1	1						1
34	N8321080	HEAD LAMP ASSY. W/O BULB		1	1	1	1						
35	N8323420	HEAD LAMP ASSY. W/O BULB											1

(MOBILE CH.)

FIG.No.21B



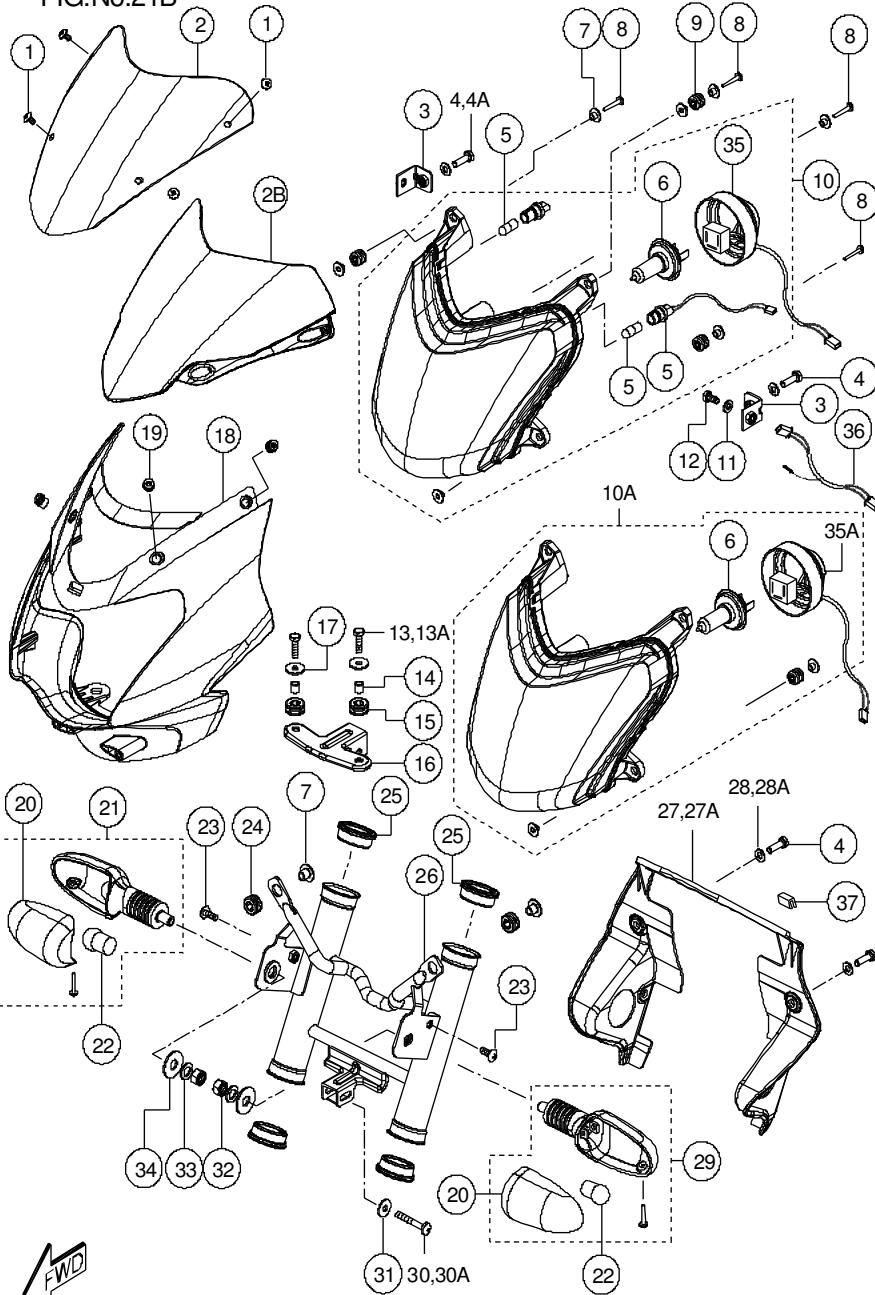
HEAD LAMP ASSEMBLY (SPORT)

HEAD LAMP ASSEMBLY (SPORT)

FIG.NO. 21B

REF NO.	PART NO.	DESCRIPTION	NO. OFF						REMARKS		
			STAR		STAR CITY		STAR SPORT			STAR CITY	
			BASE	DLX	CITY	ALLOY	REF.	DLX		CVTI	110 CVTI
1	N8200220	CRR MUSHROOM HD SCREW M5x10						4	4		
2	N8220710	VISOR HEADLAMP						1	1		
2A	N52204104D	VISOR HEADLAMP							1		ES
3	N3120300	BRKT HSG HEAD LAMP						2	2		
4	N3200110	HEX SCREW M6x20						2			
4A	N2200500	HEX SCREW M6x25							2		
5	K3160520	BULB POSITION LAMP						2			
6	M7160190	BULB HEAD LAMP						1	1		
7	S1160200	WASHER						8	8		
8	S1201000	CRR PAN HD. TAP SCR ST4.2x25						4	4		
9	S1160190	GROMMET HEAD LAMP						4	4		
10	N8160560	HEAD LAMP ASSY.						1			
10A	N8221480	HEAD LAMP ASSY.							1		
11	420001700	PUNCHED WASHER A6.6						2			
11A	N8122610	CUP WASHER							2		
12	420452700	HEX SCREW M6x12 8.8						2	2		
13	M1200610	HEX SCREW M6x20 6.8						2			
13A	420462700	HEX SCREW M6x20							2		
14	N3120140	BUSH HEAD LAMP						2			
15	N3120130	GROMMET HEADLAMP						2	2		
16	N8220970	BRACKET LOWER (HEAD LAMP)						1	1		
17	0335618	PUNCHED WASHER						2	2		
18	---	HOUSING HEAD LAMP						1	1		REF.COLOUR MATRIX
19	N3120990	GROMMET VISOR MTG.						4	4		
20	N8322260	LENS CUM REFLECTOR						2	2		
21	N8160770	TURN SIGNAL LAMP ASSY. FR. RH						1	1		

FIG.No.21B

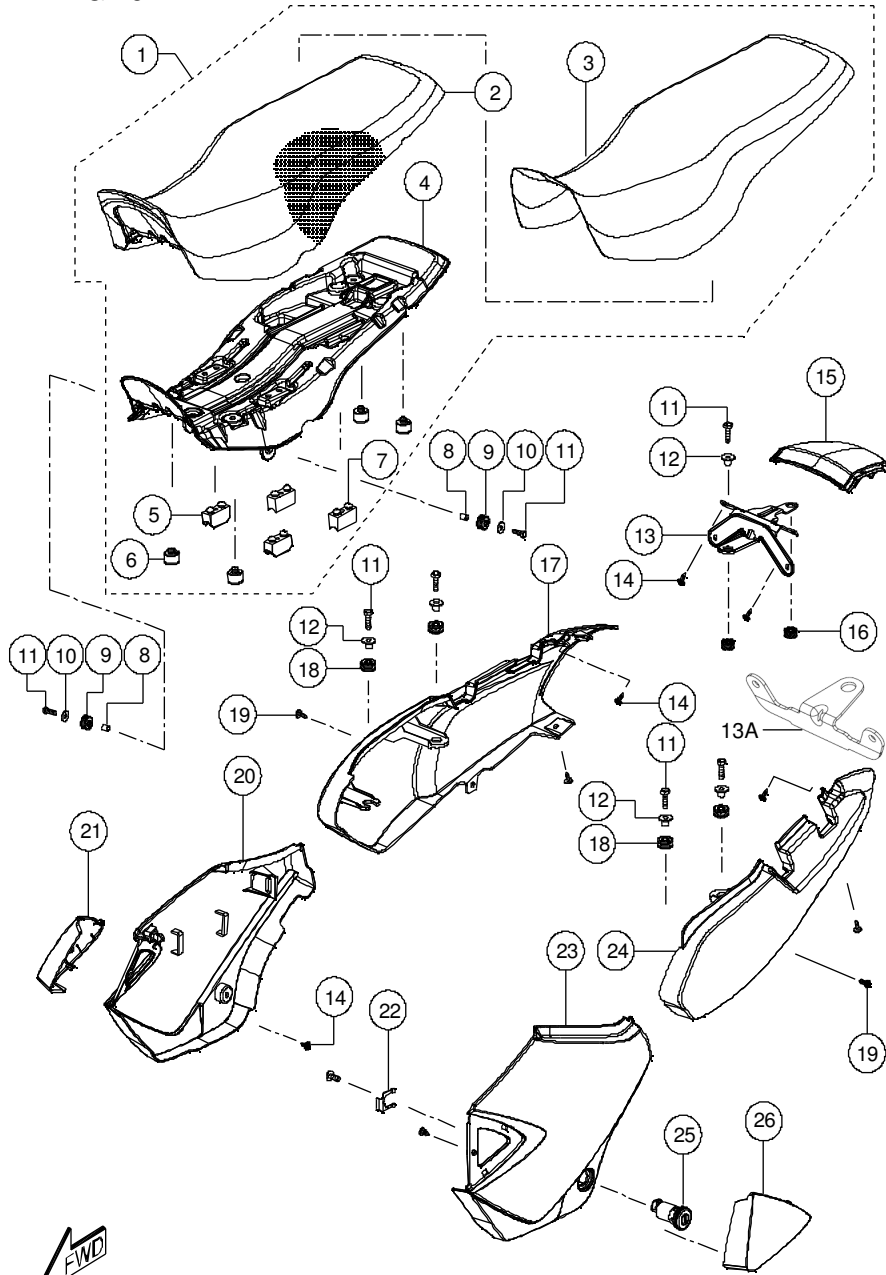


HEAD LAMP ASSEMBLY (SPORT)

HEAD LAMP ASSEMBLY (SPORT)

FIG.NO. 21B

REF NO.	PART NO.	DESCRIPTION	NO. OFF						REMARKS			
			STAR		STAR CITY		STAR SPORT			STAR CITY		
			BASE	DLX	CITY	ALLOY	REF.	DLX		CVTI	110 CVTI	
21A	N5226810	TURN SIGNAL LAMP FR RH							1			
22	1220230	BULB TSL						2	2			
23	0332275	SCREW - CRPH M6x16						2	2			
24	N5120820	GROMMET VISOR MTG.						2	2			
25	N3100140	PACKING						4	4			
26	N8220720	BRKT COMP. HSG HEAD LAMP						1	1			
27	N8220730	HOUSING HEAD LAMP REAR						1	1			
27A	N5220720	HOUSING HEAD LAMP REAR								1		ES
28	N3200120	PUNCHED WASHER						2				
28A	P1200100	PUNCHED WASHER 6.4X18X1.5								2		
29	N8160760	TURN SIGNAL LAMP FRONT LH						1	1			
29A	N5226800	TURN SIGNAL LAMP FRONT LH								1		
30	T3200100	CRR PAN HEAD SCREW						1				
30A	0332108	CRR PAN HEAD SCREW M6x45								1		
31	P1200100	PLAIN WASHER 6.4X18X1.5						1	1			
32	0334038	HEX NUT M10						2	2			
33	0330328	WAVE SPRING WASHER M10						2	2			
34	0335538	PUNCHED WASHER 12.5x22x2.3						2	2			
35	N8161210	CORD SET HEAD LAMP								1		
35A	N5160490	CORD SET HEAD LAMP								1		ES
36	N8161510	CORD SET(CONTROLE SWITCH LH)								1		
37	N5221900	PAD CUSHION								1		ES
38	N8322130	HEAD LAMP W/O BULB						1				
39	N8323670	HEAD LAMP W/O BULB								1		

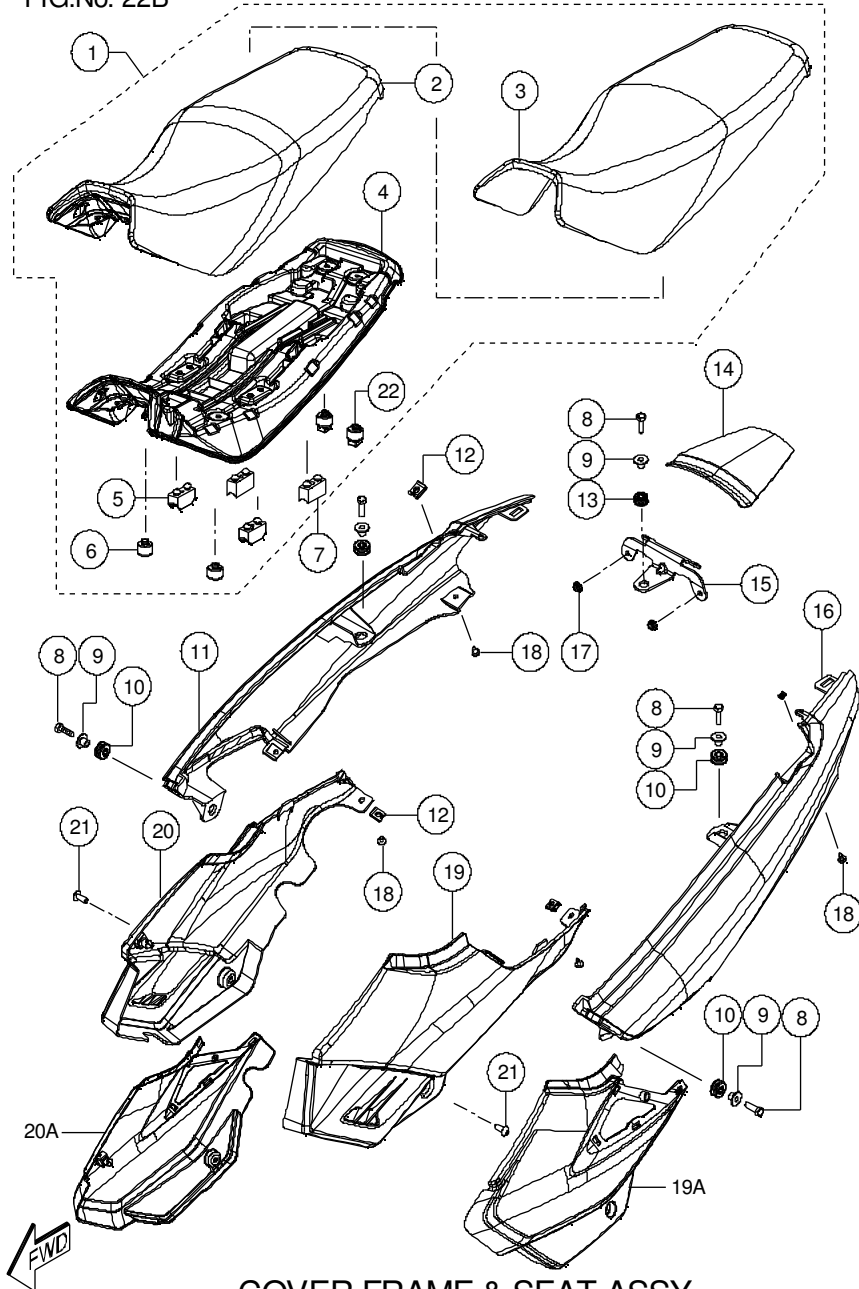


COVER FRAME & SEAT ASSY.

COVER FRAME & SEAT ASSY.

REF NO.	PART NO.	DESCRIPTION	NO. OFF							REMARKS	
			STAR		STAR CITY		STAR SPORT		STAR CITY		
			BASE	DLX	ALLOY	REF.	DLX	CVTI	110 CVTI		
1	N8130200	SEAT ASSEMBLY COMP.		1	1	1	1			1	
2	N8130180	SEAT FOAM		1	1	1	1			1	
3	N8130190	COVER COMP. SEAT		1	1	1	1			1	
4	N8130170	SEAT BASE		1	1	1	1			1	
5	N8130240	CUSHION SEAT		2	2	2	2			2	
6	N3130040	SEAT REST REAR		4	4	4	4			4	
7	N8130130	CUSHION SEAT		2	2	2	2			2	
8	N3130070	BUSH SEAT BASE		2	2	2	2			2	
9	N3130060	GROMMET SEAT BASE		2	2	2	2			2	
10	420011700	3D WASHER A6.4		2	2	2	2			2	
11	420462700	HEX BOLT M6x20		7	7	7	7			7	
12	N8122610	CUP WASHER		5	5	5	5			5	
13	N8220980	RC LAMP BRKT.		1	1	1	1				REP.N8220150
13A	N8221380	RC LAMP BRKT.								1	
14	N3200340	CRR FL. PAN HD TAP SCREW 4.2x13		6	6	6	6			6	
15	---	TAIL PIECE CENTER		1	1	1	1			1	REF.COLOUR MATRIX
16	N8220180	GROMMET TAIL COVER		2	2	2	2			2	
17	---	TAIL COVER RH		1	1	1	1			1	"
18	N3120130	GROMMET HEAD LAMP		4	4	4	4			4	
19	M1201000	CRR FL. PAN HD TAP SCREW 4x13		4	4	4	4			4	
20	---	COVER FRAME RH		1	1	1	1			1	"
21	N8220100	COVER FRAME FRONT RH BLACK		1	1	1	1			1	
22	N2210030	PLATE LOCK ASSY.		1	1	1	1			1	
23	---	COVER FRAME LH		1	1	1	1			1	"
24	---	TAIL COVER RH		1	1	1	1			1	"
25	N2210010	LOCK ASSY. COVER FRAME		1	1	1	1			1	
26	N8220090	COVER FRAME FRONT LH BLACK		1	1	1	1			1	

FIG.No. 22B

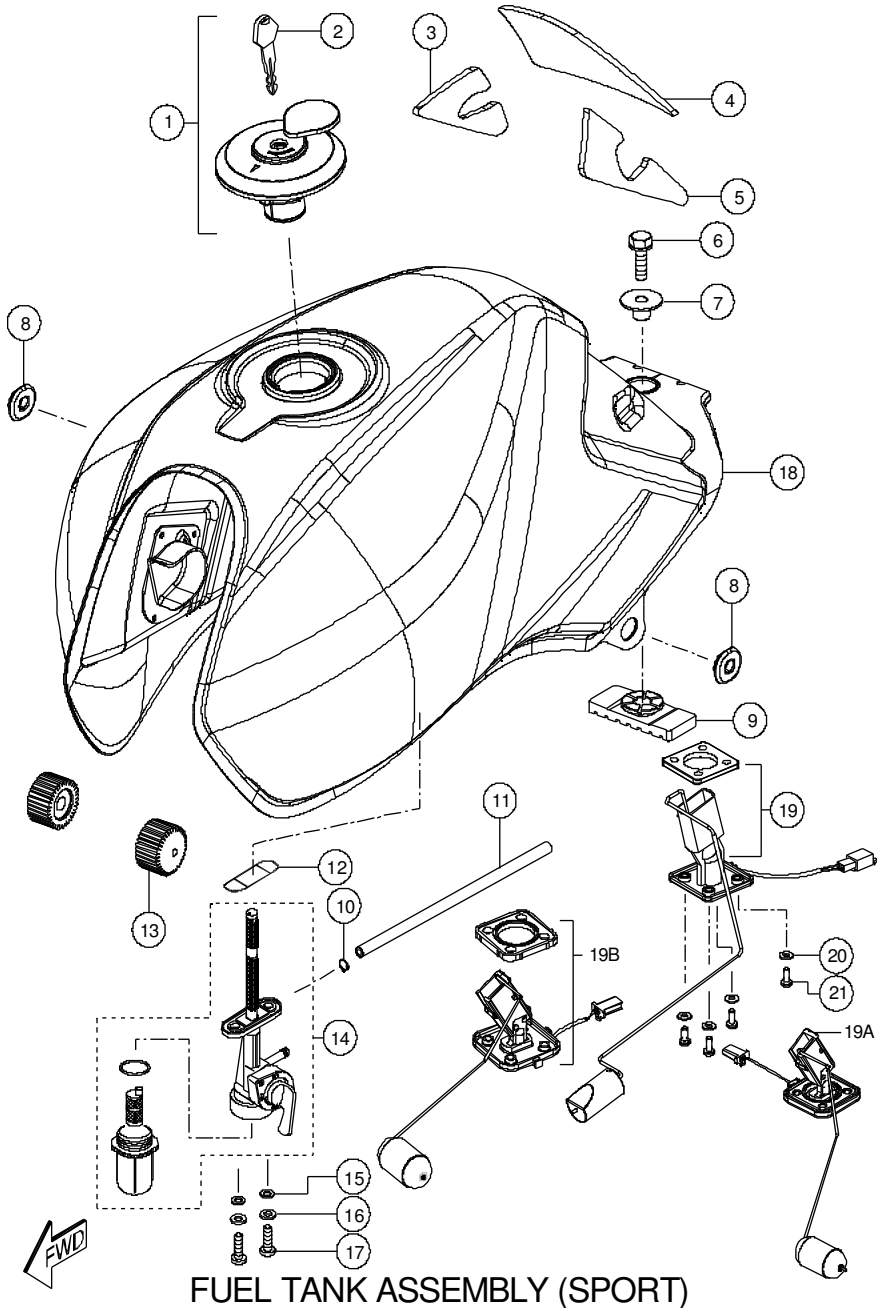


COVER FRAME & SEAT ASSY.

COVER FRAME & SEAT ASSY.

FIG.NO. 22B

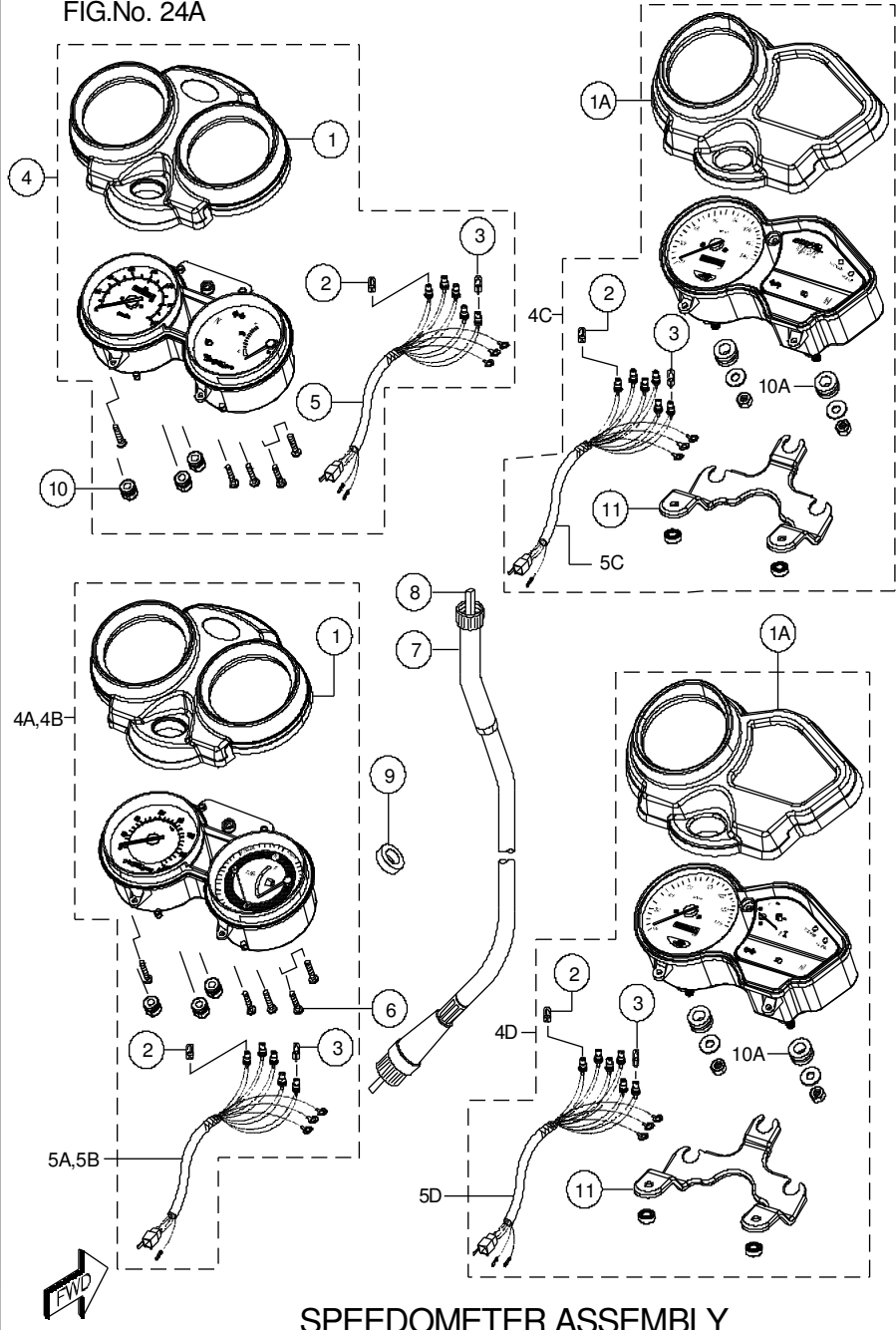
REF NO.	PART NO.	DESCRIPTION	NO. OFF						REMARKS		
			STAR		STAR CITY		STAR SPORT			STAR CITY	
			BASE	DLX	CITY	ALLOY	REF.	DLX		CVTI	110 CVTI
1	N8130280	SEAT ASSY.						1	1		
2	N8130300	SEAT FOAM						1	1		
3	N8130310	COVER COMP. SEAT (REXIN)						1	1		
4	N8130290	SEAT BASE						1	1		
5	N8130240	CUSHION SEAT						2	1		
6	N3130040	SEAT REST REAR						2	1		
7	N8130130	CUSHION SEAT REAR						2	1		
8	420462700	HEX BOLT M6x20						5	5		
9	N8122610	CUP WASHER						5	5		
10	N3120130	GROMMET						4	4		
11	---	COVER SEAT TAIL RH						1	1		REF.COLOUR MATRIX
11A	---	COVER SEAT TAIL RH							1		
12	7130020	RETAINER CLIP PANEL						4	4		
13	N8220180	GROMMET TAIL COVER						1	1		
14	---	COVER SEAT TAIL CENTER						1	1		REF.COLOUR MATRIX
15	N8220940	BRKT COMP. COVER SEAT TAIL						1	1		
16	---	COVER SEAT TAIL LH						1	1		REF.COLOUR MATRIX
16A	---	COVER SEAT TAIL LH							1		
17	0334146	HEX FLANGE NUT M6						2	2		
18	N3200340	CRR FL. PAN HD TAP SCREW4.2x13						4	4		
19	---	COVER FRAME LH						1	1		REF.COLOUR MATRIX
19A	N5220330	COVER FRAME LH							1		
20	---	COVER FRAME RH						1	1		REF.COLOUR MATRIX
20A	N5220340	COVER FRAME RH							1		
21	0332275	CRR PAN HD SCREW M6x16						2	2		
22	N8130320	CUSHION SEAT RR REAR						2	2		



FUEL TANK ASSEMBLY (SPORT)

REF NO.	PART NO.	DESCRIPTION	NO. OFF						REMARKS		
			STAR		STAR CITY		STAR SPORT			STAR CITY	
			BASE	DLX	CITY	ALLOY	REF.	DLX		CVTI	110 CVTI
1	N8211570	CAP COMP. FUEL TANK						1	1		
2	N5210590	KEY BLANK (ADEEPA MAKE)						1	1		
3	N8140540	CUSHION FUEL TANK RH						1	1		
4	N8140550	CUSHION FUEL TANK CENTER						1	1		
5	N8140530	CUSHION FUEL TANK LH						1	1		
6	M1200480	HEX FLANGE BOLT M8x25						1	1		
7	N9140540	BUSH FUEL TANK REAR MTG.						1	1		
8	N8220400	CUSHION FUEL TANK						2	2		
9	N9140530	CUSHION FUEL TANK REAR MTG.						1	1		
10	S1140390	CLIP FUEL HOSE						2	2		
11	K140720	HOSE FUEL						1	1		
12	M1140510	O RING FUEL COCK						1	1		
13	N2140060	CUSHION FUEL TANK FRONT						2	2		
14	N8140260	COCK ASSY. FUEL						1	1		
15	N3140120	GASKET FUEL COCK						2	2		
16	420001700	PUNCHED WASHER A6.6						2	2		
17	420462700	HEX BOLT M6x20						2	2		
18	---	FUEL TANK COMP. + TAPE SET						1			REF.COLOUR MATRIX
19A	N8160960	FUEL SENDER UNIT						1			
19A	N8161220	TANK UNIT (FUEL SENDER UNIT)							1		
19B	N5160570	FUEL SENDER UNIT ASSY. 1							1		ES
20	0335558	PUNCHED WASHER 5.5x12x1						4	4		
21	0331708	CRR PAN HEAD SCREW M5x12						4	4		
22	N5321340	KEY BLANK (SLD MAKE)						1	1		

FIG.No. 24A



SPEEDOMETER ASSEMBLY

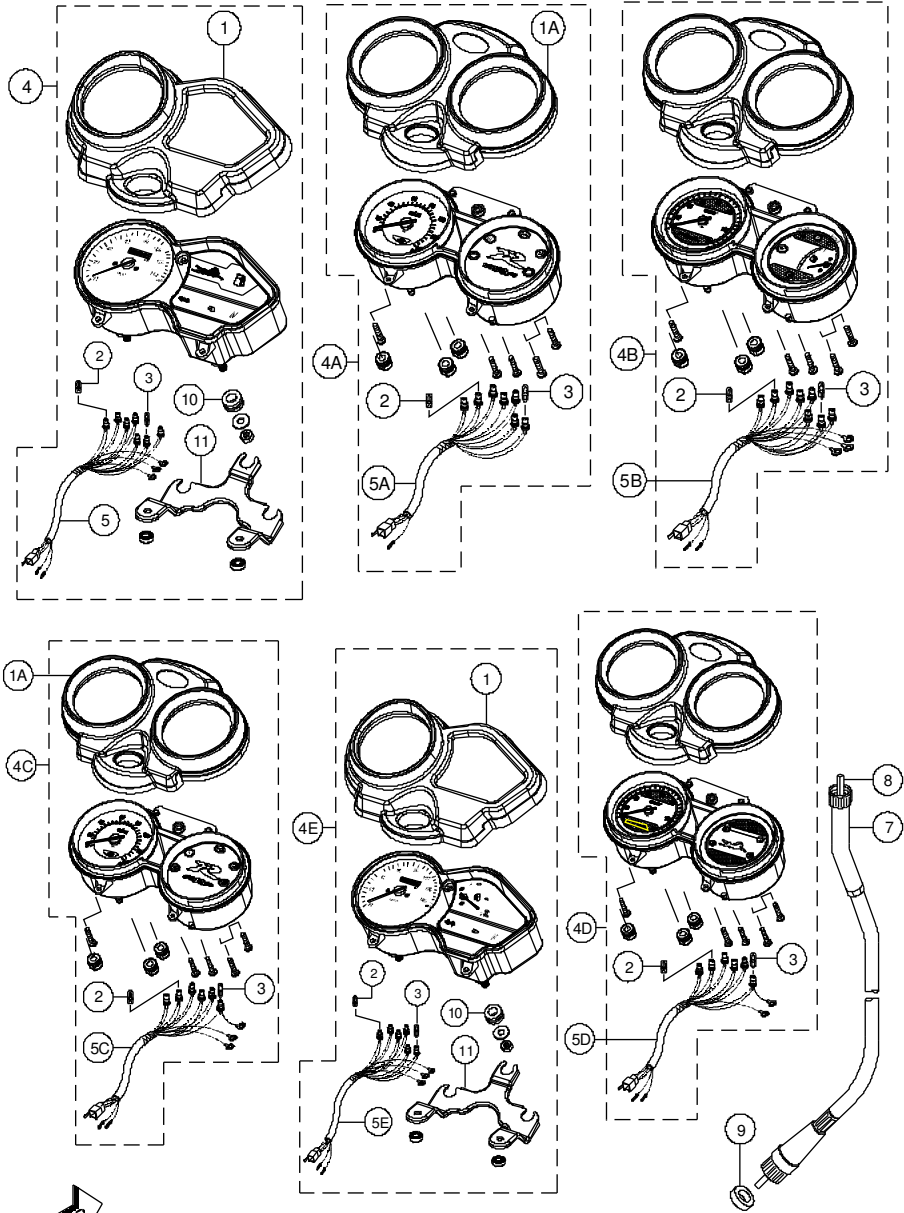
SPEEDOMETER ASSEMBLY

FIG.NO.24A

REF NO.	PART NO.	DESCRIPTION	NO. OFF							REMARKS		
			STAR			STAR CITY		STAR SPORT			STAR CITY	
			BASE	DLX	CITY	ALLOY	REF.	DLX	CVTI		110 CVTI	
1	N8321010	TOP COVER SPEEDOMETER				1	1					
1A	N8323340	TOP COVER SPEEDOMETER							1	1		
2	N3160610	BULB 12V 3.4W				2	2					
3	N5320860	BULB 12V 1.7W				3	3					
4	N8220870	SPEEDOMETER ASSY. (WITH FI)				1						
4A	N8221150	SPEEDOMETER (W/O FI)						1				
4B	N8221120	SPEEDOMETER ASSY. (WITH FI)						1				
4C	N8220740	SPEEDOMETER (W/O FI)							1			
4D	N8221260	SPEEDOMETER ASSY. (WITH FI)							1	1		
5	---	WIRING HARNESS SPEEDO				1						
5A	N8160880	WIRING HARNESS SPEEDO (W/O F.I.)						1				
5B	N8160870	WIRING HARNESS SPEEDO (W/O F.I.)						1				
5C	N8160750	WIRING HARNESS SPEEDO							1	1		
6	N8320690	SPEEDO SCREW KIT				1	1					
7	N9170010	CABLE ASSY. SPEEDOMETER				1	1					
7A	N8170030	CABLE ASSY. SPEEDOMETER						1	1			
7B	N8170320	CABLE ASSY. SPEEDOMETER								1		
8	---	SPEEDO CABLE INNER				1	1					
8A	N8320800	SPEEDO CABLE INNER				1						
9	N3170080	SEAL COMP. SPEEDO CABLE				1	1					
10	N8220560	GROMMET SPEEDO METER				3	3					
10A	N8323370	GROMMET SPEEDO METER							3	3		
11	N8323360	BRKT SPEEDOMETER							1	1		

F.W - FUEL WARNING

FIG.No. 24B



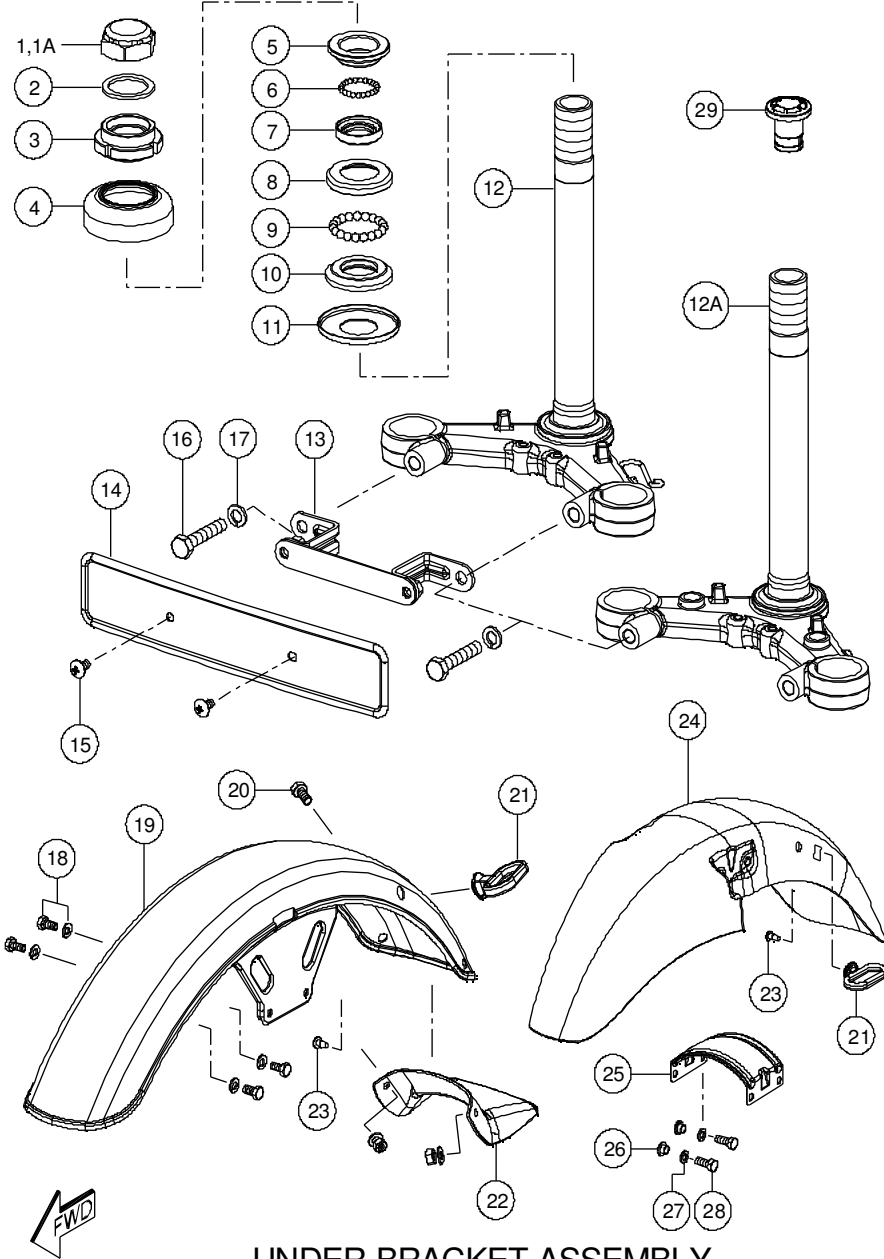
SPEEDOMETER ASSEMBLY

SPEEDOMETER ASSEMBLY

FIG.NO.24B

REF NO.	PART NO.	DESCRIPTION	NO. OFF						REMARKS			
			STAR		STAR CITY		STAR SPORT					
			BASE	DLX	CITY	ALLOY	REF.	DLX		CVTI	STAR CITY 110 CVTI	
1	N8323340	TOP COVER SPEEDOMETER							1			
1A	N8322430	TOP COVER SPEEDOMETER										1
2	N3160610	BULB 12V 3.4W							2	2		
3	N5320860	BULB 12V 1.7W							5	5		
4	N8221500	SPEEDOMETER ASSY.							1			KS
4A	N8221320	SPEEDOMETER ASSY. (W/O FI)										1
4B	N8221330	SPEEDOMETER ASSY. (WITH FI)										1
4C	N8221660	SPEEDOMETER ASSY. (WITH FI)										1
4D	N8222110	SPEEDOMETER ASSY. (WITH FI)										1
4E	N5221120	SPEEDOMETER ASSY. (WITH FI)							1			ES
5	N8161200	CORDSET SPEEDOMETER							1			
5A	N8161090	CORDSET SPEEDOMETER (W/O FI)										1
5B	N8161100	CORDSET SPEEDOMETER (WITH FI)										1
5C	N8161270	CORDSET SPEEDOMETER (WITH FI)										1
5D	N8161630	CORDSET SPEEDOMETER										1
5E	N5160480	CORDSET SPEEDOMETER							1			ES
6	N8320690	SPEEDO SCREW KIT								1	1	
7	N8170260	CABLE ASSY. SPEEDOMETER								1	1	
7A	R1170090	CABLE ASSY. SPEEDOMETER										1
7B	N8170320	CABLE ASSY. SPEEDOMETER										1
8	---	SPEEDO CABLE INNER								1	1	
9	N3170080	SEAL COMP. SPEEDO CABLE							1			
9A	N8200240	SEAL COMP. SPEEDO CABLE										1
10	N8323370	GROMMET SPEEDO METER								3	3	
11	N8323360	BRKT SPEEDOMETER								1		
12	N8322420	BOTTOM COVER SPEEDOMETER (W/O FI)										1
12A	N8322410	BOTTOM COVER SPEEDOMETER (W FI)										1

FIG.No. 25



UNDER BRACKET ASSEMBLY

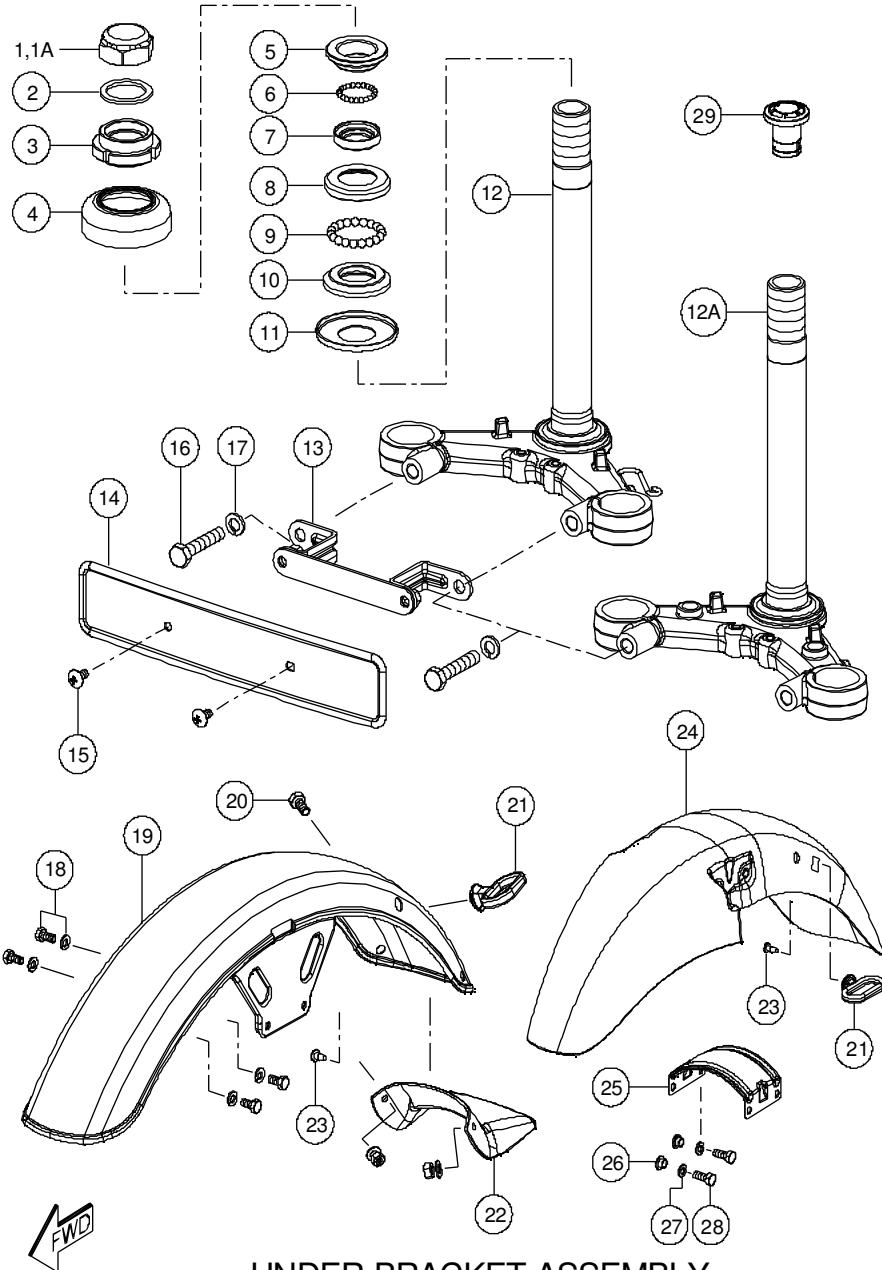
UNDER BRACKET ASSEMBLY

FIG.NO. 25

REF NO.	PART NO.	DESCRIPTION	NO. OFF							REMARKS			
			STAR			STAR CITY		STAR SPORT			STAR CITY		
			BASE	DLX	CITY	ALLOY	REF.	DLX	CVTI		110 CVTI		
1	N2100170	LOCK NUT STEERING STEM	1	1	1	1	1	1					
1A	410058700	LOCK NUT STEERING STEM									1	1	
2	410043700	SPECIAL WASHER	1	1	1	1	1	1	1	1	1	1	1
3	N2100180	ARRESTER STEERING STEM	1	1	1	1	1	1	1	1	1	1	1
4	M7101170	DUST SEAL	1	1	1	1	1	1	1	1	1	1	1
5	S1101150	RACE STEERING OUTER	1	1	1	1	1	1	1	1	1	1	1
6	420404000	BALL DIA (4.76)	22	22	22	22	22	22	22	22	22	22	22
7	S1125290	RACE STEERING INNER	1	1	1	1	1	1	1	1	1	1	1
8	K3100590	CUP BOTTOM	1	1	1	1	1	1	1	1	1	1	1
9	K3200450	BALL DIA (6.35)	19	19	19	19	19	19	19	19	19	19	19
10	N8120910	CONE BOTTOM	1	1	1	1	1	1	1	1	1	1	1
11	N8120920	DUST SEAL STEERING LOWER	1	1	1	1	1	1	1	1	1	1	1
12	N8100680	UNDER BRKT COMP.	1	1							1		
12A	N8101500	UNDER BRKT COMP.			1	1	1	1	1	1	1	1	1
13	N8121850	BRKT COMP. LICENSE PLATE FRON	1	1									
14	N3211120	LICENSE PLATE FRONT	1	1	1	1	1	1	1	1	1	1	1
15	N8200080	CRR PAN HEAD SCREW M5x12	2	2	2	2	2	2	2	2	2	2	2
16	420955700	HEX SCREW M8x40	2	2							2		
17	N5200610	WAVE SPRING WASHER M8	2	2							2		
18	0331058	HEX BOLT + SPRING WASHER	4								4		
19	1102510	FENDER COMP. FRONT PLATED	1										
20	420452700	HEX SCREW M6x12	2										
21	N3100220	GUIDE CABLE	1	1	1	1	1	1	1	1	1	1	1

** - REFER KIT & KIT CONTENTS

FIG.No. 25



UNDER BRACKET ASSEMBLY

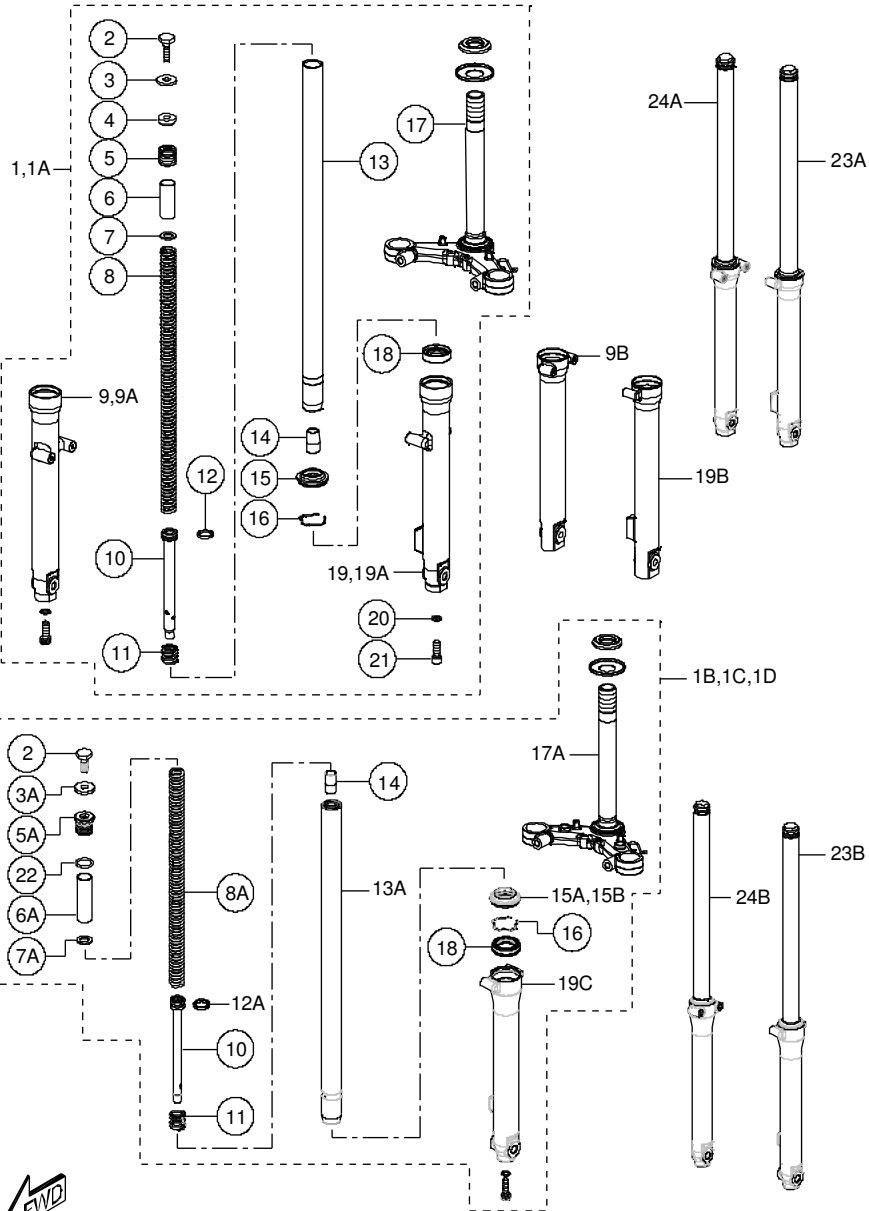
UNDER BRACKET ASSEMBLY

FIG.NO. 25

REF NO.	PART NO.	DESCRIPTION	NO. OFF								REMARKS			
			STAR			STAR CITY		STAR SPORT		STAR CITY				
			BASE	DLX	CITY	ALLOY	REF.	DLX	CVTI	110 CVTI				
22	1102560	MUD FLAP	1											
23	N3100230	CLIP	1	1	1	1	1	1	1	1	1	1		
24	---	FRONT FENDER		1	1	1	1	1						REF.COLOUR MATRIX
24A	---	FENDER COMP. FRONT									1	1		REF.COLOUR MATRIX
25	N5101690	BRACE FENDER FRONT (SPOKE)		1	1							1		
25A	N2100150	BRACE FENDER FRONT (ALLOY)				1	1	1					1	
26	N5101200	SPACER FENDER FRONT		4	4	4	4				4			
26A	N2100220	SPACER FENDER FRONT									4			
26B	M7101020	SPACER FENDER FRONT											4	
27	0330318	WAVE SPRING WASHER M8		4	4	4	4	4	4	4	4	4	4	
28	420454700	HEX SCREW M8x20		4	4	4	4	4	4	4	4	4	4	
29	N9100840	CAP LOCKNUT										1	1	
30	N8320070	STEERING CONE KIT	1	1	1	1	1	1	1	1	1	1	1	**

** - REFER KIT & KIT CONTENTS

FIG.No. 26



FRONT FORK ASSEMBLY

FRONT FORK ASSEMBLY

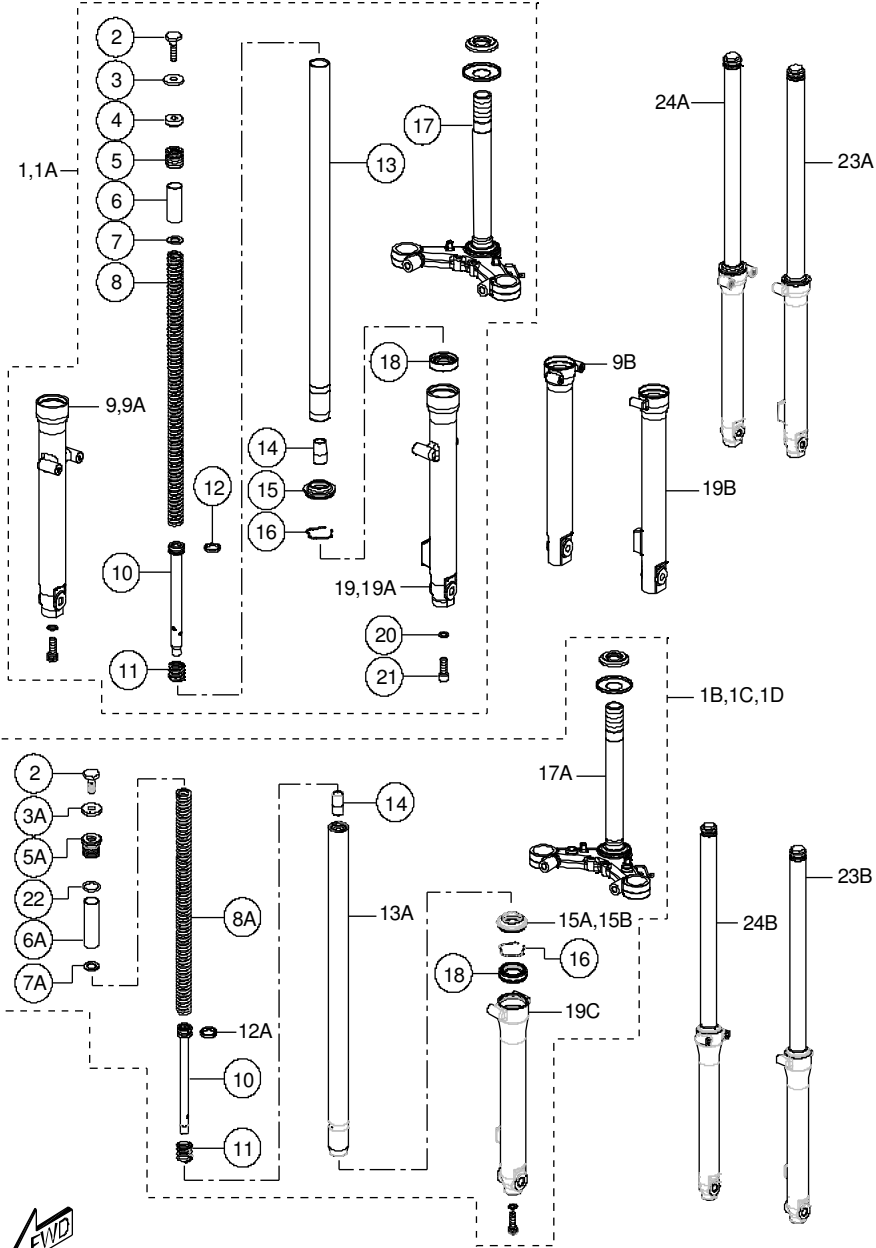
FIG.NO.26

REF NO.	PART NO.	DESCRIPTION	NO. OFF								REMARKS			
			STAR		STAR CITY		STAR SPORT		STAR CITY					
			BASE	DLX	CITY	ALLOY	REF.	DLX	CVTI	110 CVTI				
1	N8100970	FORK ASSY. FRONT 110 DIA	1*											
1A	N8101200	FORK ASSY. FRONT 110 DIA	1	1										
1B	N8101550	FORK ASSY. FRONT 110 DIA			1		1			1	1			
1C	N8101700	FRONT FORK ASSY. 130 DIA				1	1	1						
1D	N81017007D	FRONT FORK ASSY. 130 DIA								1	1			(BLACK)
1E	N31024007D	FRONT FORK ASSY. 130 DIA									1			
2	N5101999	BOLT FRONT FORK	2	2	2	2	2	2	2	2	2	2	2	
3	N5101989	WASHER	2	2	2	2	2	2	2	2	2	2	2	
4	1257370	PACKING	2	2	2	2	2	2	2	2	2	2	2	
5	N2100090	NUT FRONT FORK	2	2	2		2			2	2	2	2	(SPOKE)
5A	N3100090	NUT FRONT FORK				2	2	2	2	2	2	2	2	(ALLOY)
6	N8100650	SPACER	2	2	2		2			2	2	2	2	
6A	N3102430	SPACER				2	2	2	2	2	2	2	2	
7	N5101979	WASHER SPRING SEAT	2	2	2		2			2	2	2	2	
7A	N8101240	SHIM				2	2	2					2	
8	N8100820	SPRING FRONT FORK	2	2	2		2			2	2	2	2	
8A	N3100320	SPRING FRONT FORK				2	2	2	2	2	2	2	2	
9	N8101270	LEG OUTER RH (306.5 mm Length)	1*											
9A	N8101590	LEG OUTER RH (290.5 mm Length)	1#											
9B	N5101819	LEG OUTER RH		1	1		1			1	1	1	1	
9C	N2100250	OUTER TUBE RH				1	1	1	1	1	1	1	1	
9D	N21002507D	OUTER TUBE RH									1	1	1	(BLACK)
10	N3100340	CYLINDER FRONT FORK	2	2	2	2	2	2	2	2	2	2	2	
11	N8101320	REBOUND SPRING	2	2	2	2	2	2	2	2	2	2	2	
12	N3100330	RING DAMPER PISTON	2	2	2	2	2	2	2	2	2	2	2	
13	N8101280	TUBE INNER (546.5 length)	2											
13A	N8101570	TUBE INNER (551mm length)	2	2	2	2	2	2	2	2	2	2	2	
14	N3100300	PIECE OIL LOCK	2	2	2	2	2	2	2	2	2	2	2	

* - APPLICABLE FOR THE VEHICLE PRODUCED BEFORE JULY 2005

- APPLICABLE FOR THE VEHICLE PRODUCED AFTER JULY 2005

FIG.No. 26



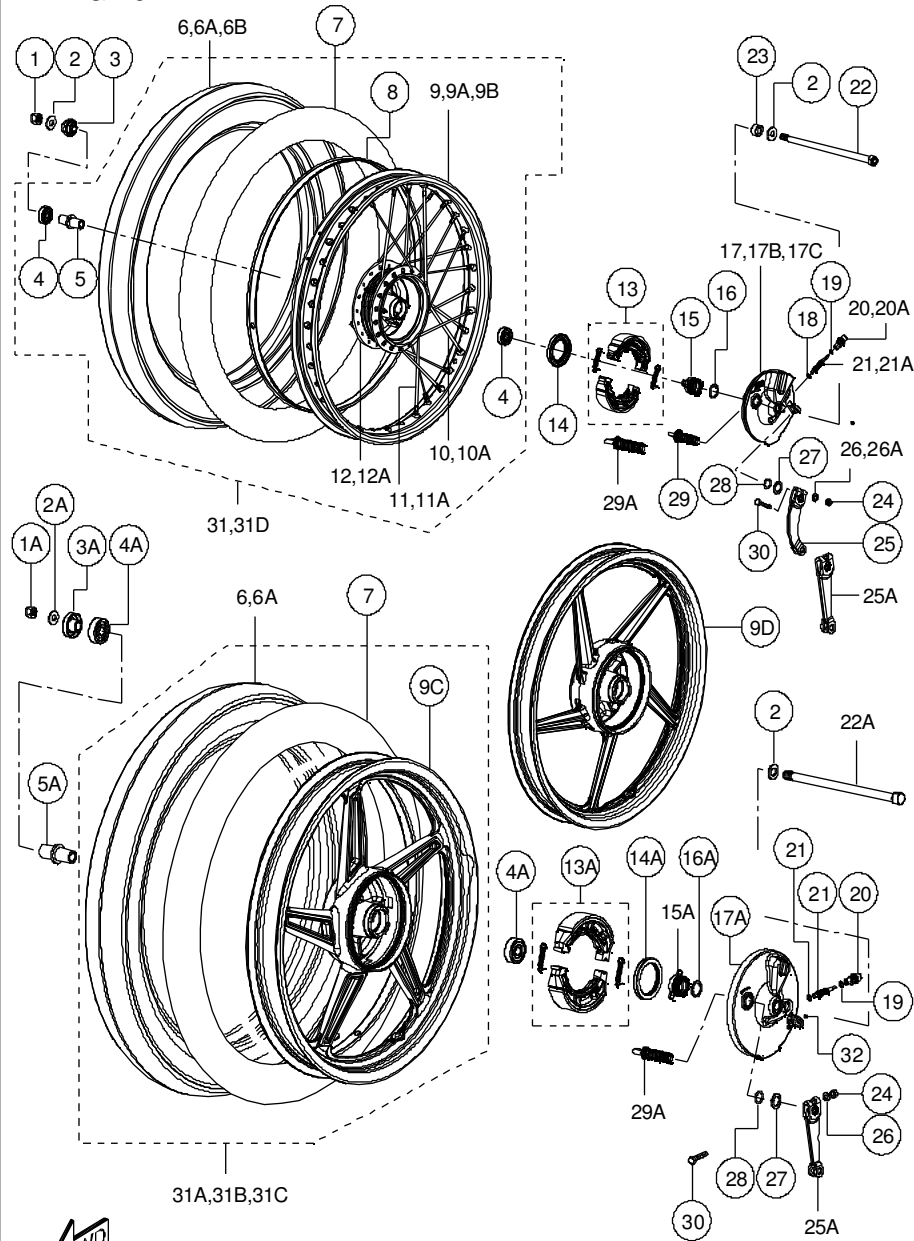
FRONT FORK ASSEMBLY

FRONT FORK ASSEMBLY

FIG.NO.26

REF NO.	PART NO.	DESCRIPTION	NO. OFF						REMARKS				
			STAR		STAR CITY		STAR SPORT						
			BASE	DLX	CITY	ALLOY	REF.	DLX		CVTI	STAR CITY 110 CVTI		
15	N8101370	SEAL DUST	2										
15A	N3102410	SEAL DUST		2	2	2	2	2	2	2	2	2	
16	N3100290	SNAP RING	2	2	2	2	2	2	2	2	2	2	
17	N8100680	UNDER BRACKET COMP.	1	1						1			
17A	N8101500	UNDER BRACKET COMP.			1	1	1	1	1			1	
18	N3102420	OIL SEAL	2	2	2	2	2	2	2	2	2	2	
19	N8101260	LEG OUTER LH (306.5mm Length)	1										
19A	N8101580	LEG OUTER LH (290.5mm Length)	1										
19B	N5101829	LEG OUTER LH		1	1					1	1		
19C	N2100240	LEG OUTER TUBE LH				1	1	1	1	1	1	1	
19D	N21002407D	LEG OUTER TUBE LH									1	1	(BLACK)
20	N8101220	PACKING ALLEN BOLT	2	2	2	2	2	2	2	2	2	2	
21	N8101230	HEX ALLEN BOLT	2	2	2	2	2	2	2	2	2	2	
22	N8101360	SHIM				2	2	2	2	2	2	2	
23	N8101290	LEG ASSY. LH 110 DIA	1										(OLD)
23A	N8100950	LEG ASSY. LH 110 DIA	1										(NEW)
23B	N8101020	LEG ASSY. LH 110 DIA		1	1		1			1	1		
23C	N3102340	LEG ASSY. LH 130 DIA				1	1	1	1	1	1	1	
23D	N31023407D	LEG ASSY. LH 130 DIA									1	1	
24	N8101300	LEG ASSY. RH 110 DIA	1										
24A	N8100960	LEG ASSY. RH 110 DIA	1										
24B	N8101040	LEG ASSY. RH 110 DIA		1	1		1			1	1		
24C	N3102350	LEG ASSY. RH 130 DIA				1	1	1	1	1	1	1	
24D	N31023507D	LEG ASSY. RH 130 DIA									1	1	(BLACK)

FIG.No. 27



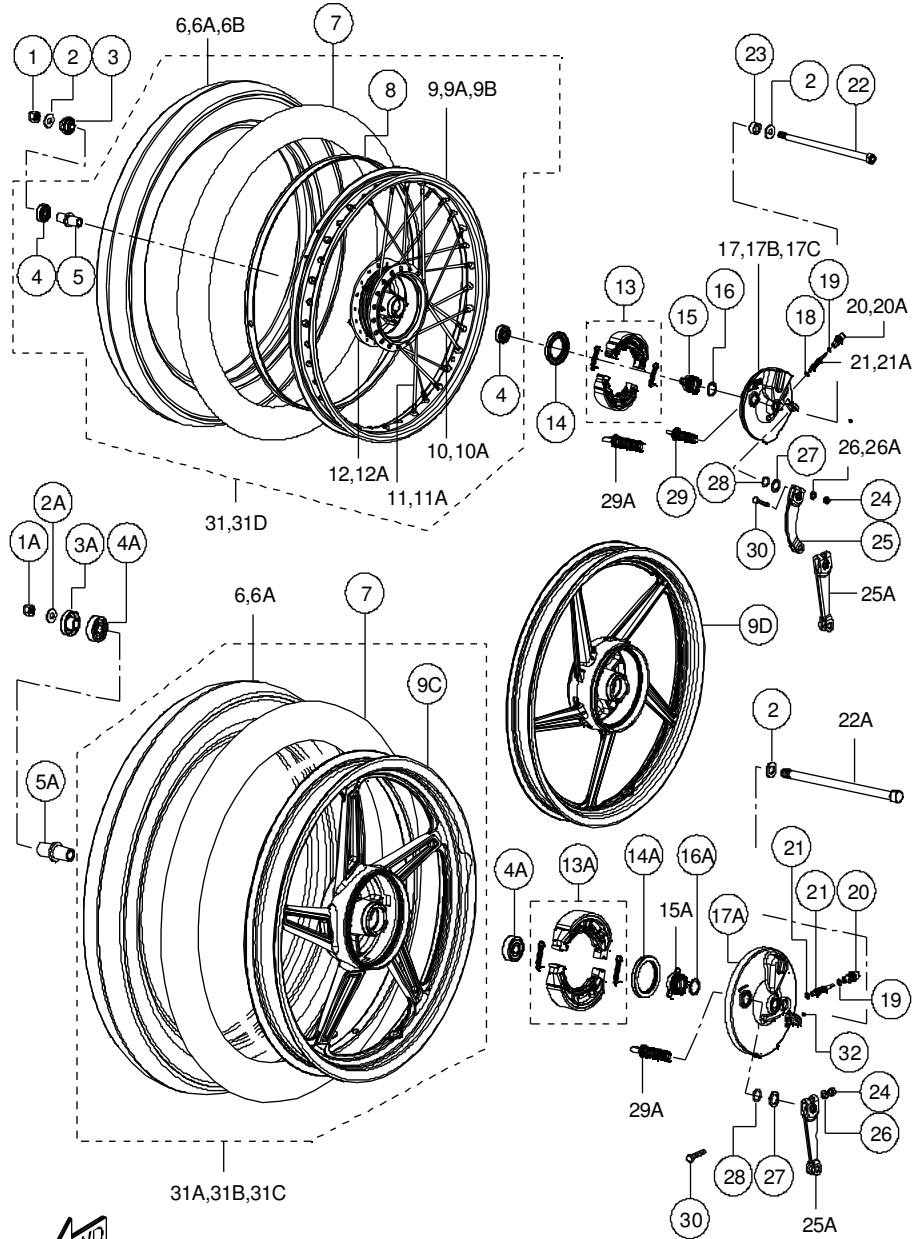
FRONT WHEEL ASSEMBLY

FRONT WHEEL ASSEMBLY

FIG.NO. 27

REF NO.	PART NO.	DESCRIPTION	NO. OFF								REMARKS		
			STAR			STAR CITY		STAR SPORT		STAR CITY			
			BASE	DLX	CITY	ALLOY	REF.	DLX	CVTI	110 CVTI			
1	K200570	U NUT 10x1.25	1	1	1								
1A	0334158	U - NUT M12x1.25				1	1	1				1	
2	0335628	PUNCHED WASHER 10.5x24x2.3	2	2	2								
2A	0335538	PUNCHED WASHER 12.5x22x2.3				2	2	2				2	
3	N5110890	SPACER COMP.	1	1	1		1						
3A	N3110390	SPACER COMP.				1	1						
3B	U1110080	SPACER COMP.						1				1	
4	N8110550	BALL BEARING 10x30x9	2	2	2								
4A	N3200010	BALL BEARING 12x37x12				2	2	2				2	
5	N5110210	SPACER COMP. FRONT HUB	1	1	1								
5A	N2110190	SPACER COMP. FRONT HUB				1	1	1				1	
6	M1110230	TYRE COMP. FRONT 2.75 " x 18	1	1	1	1	1						
6A	1177120	TYRE FRONT 2.75x18						1					
6B	N8112460	TYRE FRONT 2.75x17 ATT 525											1
7	N3110430	TUBE ASSY. 2.5 / 2.75 - 18	1	1	1	1	1	1					
7A	N8112340	TUBE ASSY. 2.75 x 17/ 3											1
8	N3110450	PROTECTOR WHEEL IN TUBE	1	1	1	1	1	1					
8A	N9110660	PROTECTOR WHEEL IN TUBE											1
9	N5110820	RIM WHEEL 1.6 x 18	1	1	1		1						
9A	U1110110	RIM WHEEL FRONT 1.4x18						1					
9B	N3111480	RIM WHEEL FRONT 1.6x17											1
9C	N9111080	ALLOY WHEEL FRONT1.6x18(5SPO)				1	1	1					130 DIA
9D	N8111800	ALLOY WHEEL FRONT1.6x18(5SPO)				1	1	1	1				"

FIG.No. 27



FRONT WHEEL ASSEMBLY

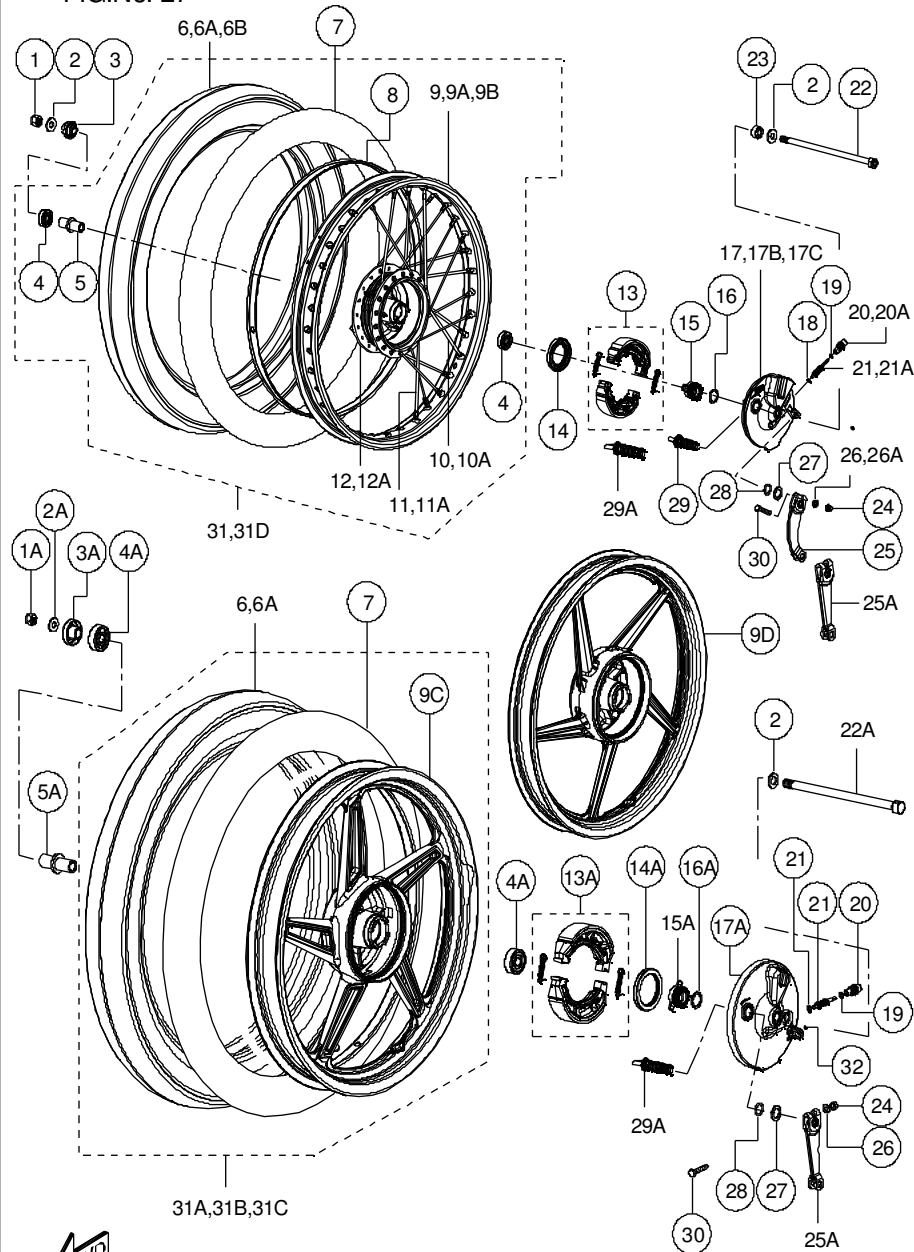
FRONT WHEEL ASSEMBLY

FIG.NO. 27

REF NO.	PART NO.	DESCRIPTION	NO. OFF							REMARKS		
			STAR			STAR CITY		STAR SPORT			STAR CITY	
			BASE	DLX	CITY	ALLOY	REF.	DLX	CVTI		110 CVTI	
10	N5320520	SPOKE & NIPPLE SET INNER (18Nos)	1	1	1		1	1				
10A	N8324190	SPOKE & NIPPLE SET INNER (18Nos)										1
11	N5320530	SPOKE & NIPPLE SET OUTER (18 Nos)	1	1	1		1	1				
11A	N8324200	SPOKE & NIPPLE SET OUTER (18 Nos)										1
12	N8110110	HUB COMP. FRONT WHEEL	1	1	1		1					
12A	N2110060	HUB COMP. FRONT WHEEL										1
13	N5110250	BRAKE SHOE SET 110 Dia (25mm)	1	1	1							
13A	1110020	SHOE SET BRAKE DIA 130					1	1	1			1
14	N8110830	OIL SEAL FRONT BRAKE PANEL	1	1	1							
14A	N3110260	SEAL FRONT BRAKE PANEL OIL					1	1	1			1
15	N2110650	GEAR SPEEDOMETER 24T	1	1	1	1	1	1	1			
15A	R1110930	GEAR SPEEDOMETER 20T										1
16	N5110790	THRUST WASHER SPEEDO PINION	1	1	1							1
16A	N3110280	WASHER SPEEDOMETER GEAR TR.					1	1	1			
17	N5110920	PANEL COMP. BRAKE FRONT	1	1	1							
17A	N2110030	PANEL COMP. FRONT BRAKE					1	1	1			
17B	N3111130	PANEL COMP. FRONT BRAKE										1
17C	N31111305D	PANEL COMP. FRONT BRAKE										1
18	N3110120	SHIM 5.7x10x0.4 SPEEDO PINION	1	1	1	1	1	1	1			1
19	0335078	SHIM 5.1x9x0.4 SPEEDOMETER	1	1	1	1	1	1	1			1
20	N3110460	BUSHING SPEEDOMETER PINION	1	1	1	1	1	1	1			
20A	N8111570	BUSHING SPEEDOMETER PINION										1
21	N3110110	PINION SPEEDOMETER	1	1	1	1	1	1	1			

(BLACK)

FIG.No. 27



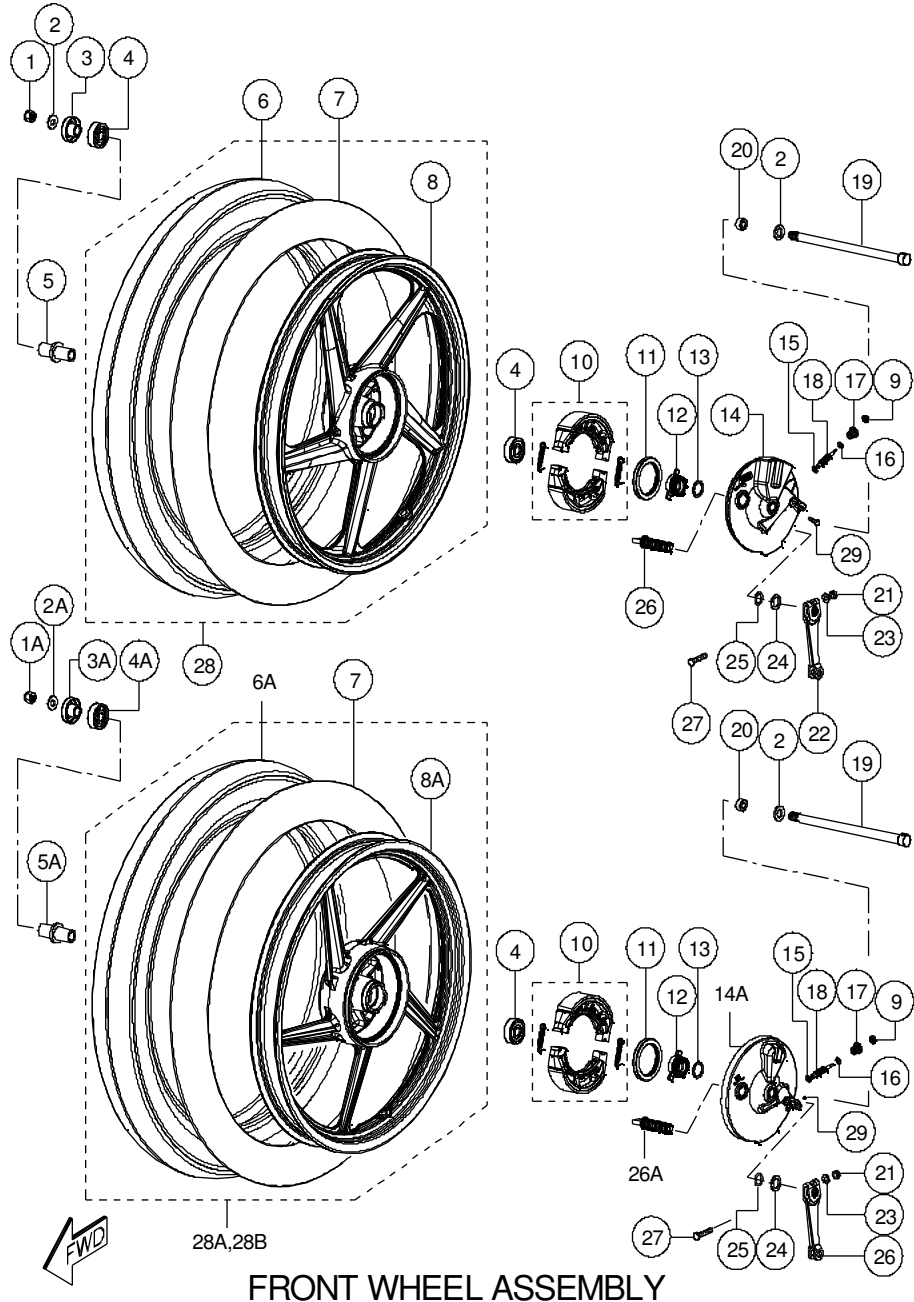
FRONT WHEEL ASSEMBLY

FRONT WHEEL ASSEMBLY

FIG.NO. 27

REF NO.	PART NO.	DESCRIPTION	NO. OFF							REMARKS		
			STAR			STAR CITY		STAR SPORT			STAR CITY	
			BASE	DLX	CITY	ALLOY	REF.	DLX	CVTI		110 CVTI	
21A	R1110940	PINION SPEEDOMETER									1	
22	N5111200	AXLE COMP. FRONT 10x22x3.5	1	1	1		1	1				
22A	N3110990	AXLE FRONT					1	1	1			
23	N5110900	SPACER FRONT WHEEL	1	1	1		1					
24	420305700	HEX NUT M6	1	1	1	1	1	1			1	
25	N5110630	LEVER FRONT BRAKE CAM	1	1	1							
25A	N3110400	LEVER FRONT BRAKE CAM FRONT					1	1	1			
26	0335578	PUNCHED WASHER 6.5x13x1	1	1	1	1	1	1				
26A	420001700	PUNCHED WASHER A6.6									1	
27	0335698	PUNCHED WASHER 14.5x22x1.6	1	1	1	1	1	1			1	
28	0178030	O RING CAM BRAKE	1	1	1	1	1	1			1	
29	K3110470	CAM BRAKE	1	1	1							
29A	N2110130	CAM BRAKE					1	1	1			
30	0331248	HEX BOLT M6x33	1	1	1	1	1	1			1	
31	N8111020	WHEEL ASSY. FRONT SPOKE	1	1	1		1					
31A	N8111370	WHEEL ASSY. FRONT SPOKE							1			
31B	N8111310	WHEEL ASSY. FRONT ALLOY					1	1				DIA 130
31C	N8111880	WHEEL ASSY. FRONT ALLOY							1			DIA 130
31D	N8112700	WHEEL ASSY. FRONT SPOKE									1	
32	0332346	SCREW SPEEDO MET. PINION BUSH					1	1	1			

FIG.No. 27A

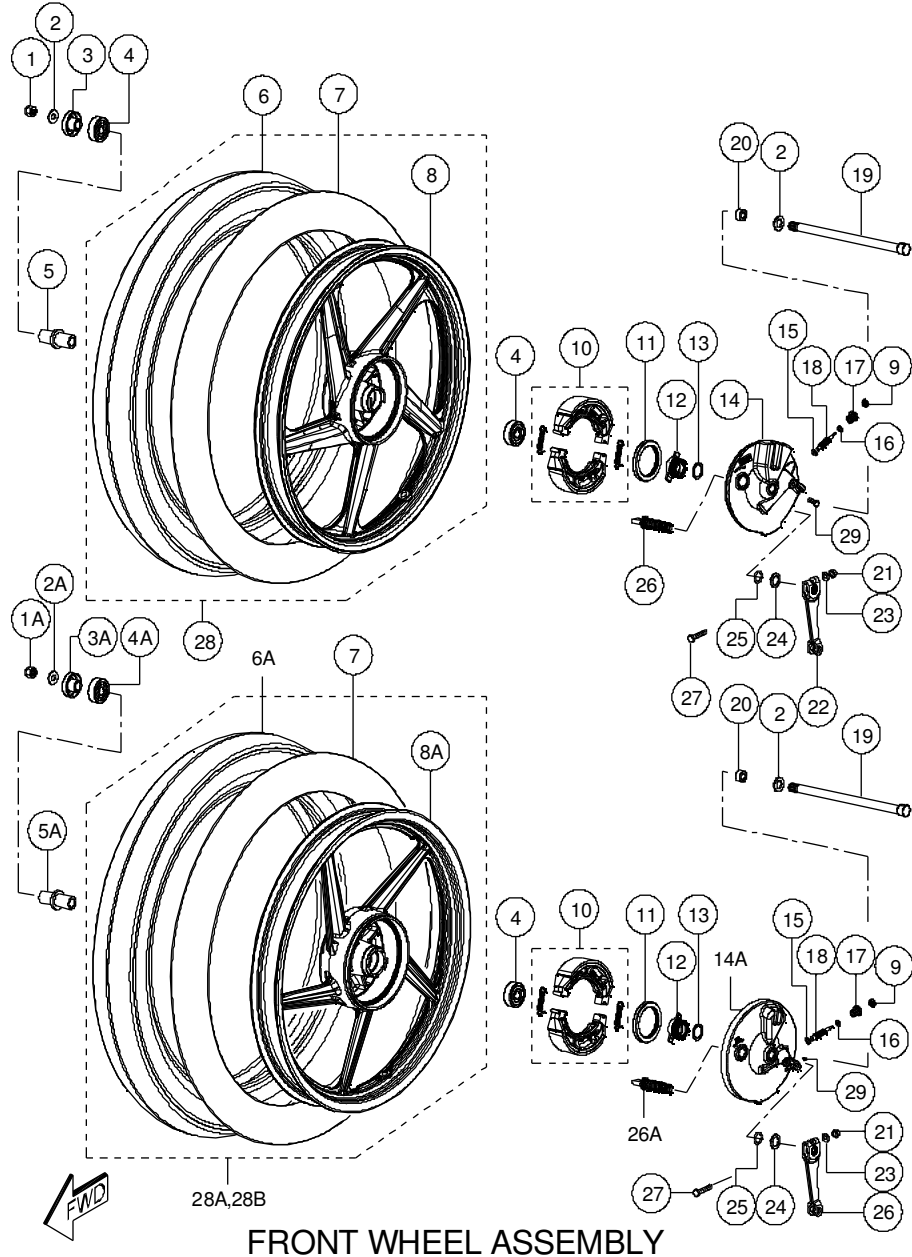


FRONT WHEEL ASSEMBLY (ALLOY)

FIG.NO. 27A

REF NO.	PART NO.	DESCRIPTION	NO. OFF							REMARKS		
			STAR		STAR CITY		STAR SPORT		STAR CITY			
			BASE	DLX	CITY	ALLOY	REF.	DLX	CVTI		110 CVTI	
1	K200570	U - NUT 10x1.25								1		
1A	0334158	U - NUT M12x1.25										1
2	0335628	PUNCHED WASHER 10.5x24x2.3								2		
2A	0335538	PUNCHED WASHER 12.5x22x2.3										2
3	R1110970	SPACER COMP.								1		
3A	U1110080	SPACER COMP.										1
4	N8110550	BALL BEARING 10x30x9								2		
4A	N3200010	BALL BEARING 12x37x12								2		2
5	N5110210	SPACER COMP. FRONT HUB								1		
5A	N2110190	SPACER COMP. FRONT HUB								1		1
6	N8112230	TYRE 17x2.75 FRONT								1		
6A	N8112460	TYRE 17x2.75 FRONT										1
7	R1110520	TUBE ASSY. 17"								1		1
8	N8112280	ALLOY WHEEL FRONT (SILVER)								1		1
8A	N8112660	ALLOY WHEEL FRONT (BLACK)								1		1
8B	N81126605D	ALLOY WHEEL FRONT (130 DIA)									1	1
9	N3170080	OIL SEAL								1		
9A	N8200240	OIL SEAL 4.8x14.5x4										1
10	C8110090	SHOE SET BRAKE DIA 110								1		
10A	K6320590	SHOE SET BRAKE DIA 130										1
11	N8110830	OIL SEAL FRONT BRAKE PANEL								1		
11A	N3110260	SEAL FRONT BRAKE PANEL OIL										1
12	R1110930	GEAR SPEEDOMETER								1		1
13	N5110790	THRUST WASHER SPEEDO PINION								1		1

FIG.No. 27A

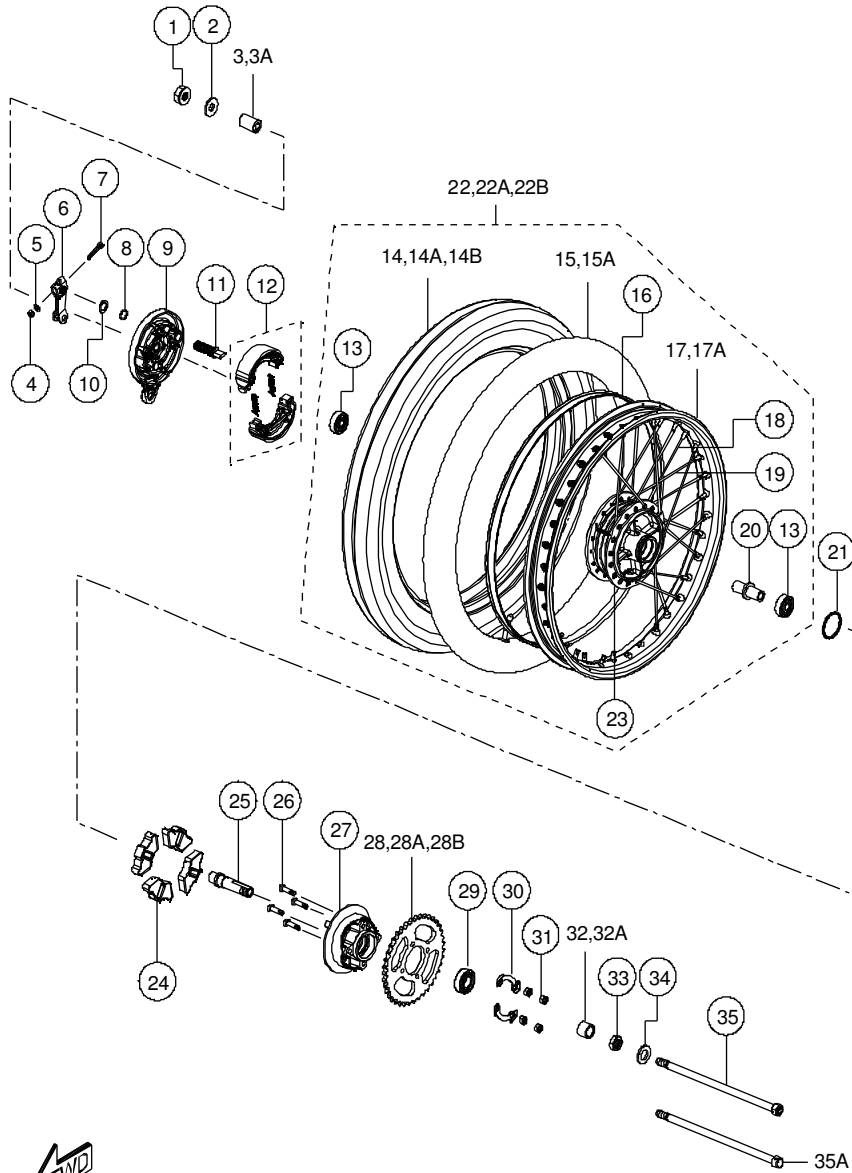


FRONT WHEEL ASSEMBLY

FRONT WHEEL ASSEMBLY (ALLOY)

FIG.NO. 27A

REF NO.	PART NO.	DESCRIPTION	NO. OFF							REMARKS		
			STAR		STAR CITY		STAR SPORT		STAR CITY			
			BASE	DLX	CITY	ALLOY	REF.	DLX	CVTI		110 CVTI	
14	R1111000	BRAKE PANEL COMP FRONT								1		
14A	N31111305D	BRAKE PANEL COMP FRONT										1
15	0335078	SHIM 5.7x10x0.4 SPEEDO PINION								1	1	
16	N3110120	SHIM 5.1x9x0.4 SPEEDOMETER								1	1	
17	N8111570	BUSHING PINION SPEEDOMETER								1	1	
18	R1110940	PINION SPEEDOMETER								1	1	
19	R1110960	AXLE COMP. FRONT 10x208								1		
19A	N3110990	AXLE FRONT										1
20	N5110900	SPACER FRONT WHEEL								1		
21	420305700	HEX NUT M6								1	1	
22	N3110400	LEVER FRONT BRAKE CAM FRONT								1	1	
23	420001700	PUNCHED WASHER								1	1	
24	0335698	PUNCHED WASHER 14.5x22x1.6								1	1	
25	0178030	O RING CAM BRAKE								1	1	
26	K3110470	CAM BRAKE								1		
26A	N2110130	CAM BRAKE										1
27	0331248	HEX BOLT M6x33								1	1	
28	N8112290	WHEEL ASSY. FRONT ALLOY								1		110 DIA
28A	N8112670	WHEEL ASSY. FRONT ALLOY									1	130 DIA
28B	N81126705D	WHEEL ASSY. FRONT ALLOY									1	"
28C	N51113705D	WHEEL ASSY. FRONT ALLOY								1		ES
29	0331718	CRR PAN HEAD SCREW M5x16								1	1	

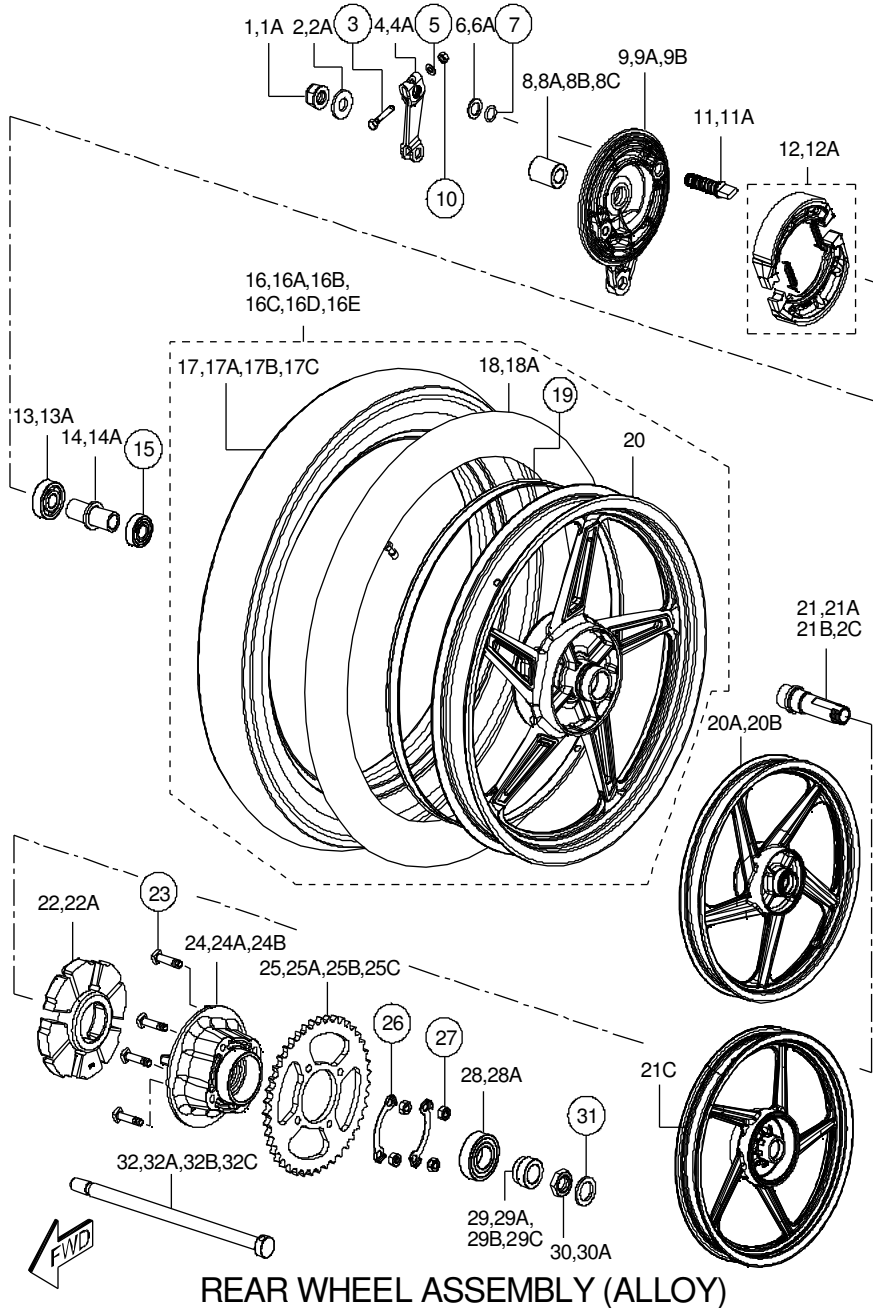


REAR WHEEL ASSEMBLY (SPOKE)

REF NO.	PART NO.	DESCRIPTION	NO. OFF							REMARKS				
			STAR		STAR CITY		STAR SPORT		STAR CITY					
			BASE	DLX	CITY	ALLOY	REF.	DLX	CVTI		110 CVTI			
22B	N8111390	WHEEL ASSY. REAR								1				
23	N2110250	HUB COMP. REAR WHEEL	1	1	1		1			1			1	
24	N2110360	ABSORBER SHOCK REAR HUB	4	4	4		4			4			4	
25	N3110020	SHAFT MTG. REAR SPROCKET DR.	1	1	1		1			1			1	
26	0331318	BOLT REAR SPROCKET	4	4	4		4			4			4	
27	N2110370	DRUM REAR SPROCKET MTG.	1	1	1		1			1			1	
28	N8111000	SPROCKET 44T	1*	1*	1*									
28A	N5110410	SPROCKET 41T	1	1	1		1						1	
28B	N5081020	SPROCKET 40T (SPOKE WHEEL)					1			1			1	
29	N3200090	BALL BEARING 20x42x12	1	1	1		1			1			1	
30	N3110470	WASHER SPROCKET	2	2	2		2			2			2	
31	0334548	HEX NUT M8	4	4	4		4			4			2	
32	N2110390	SPACER LH REAR AXLE	1	1	1		1						1	
32A	N8111710	SPACER LH REAR AXLE											1	
33	J200030	HEX NUT M18	1	1	1		1			1			1	
34	N3200020	PUNCHED WASHER 18.5x30x3.2	1	1	1		1			1			1	
35	N3110980	AXLE COMP. REAR	1	1	1		1						1	
35A	N8111620	AXLE COMP. REAR											1	
36	N8320100	CHAIN & SPROCKET KIT (13/41/110L)	1	1	1									N.I., **
36A	N8322820	CHAIN&SPROCKET KIT (14/44/112L)	1	1	1									" , **
36B	N8322840	CHAIN & SPROCKET KIT(13/40/110L)								1				" , **
36C	N8323130	CHAIN & SPROCKET KIT(13/40/108L)											1	" , **
36D	N8323650	CHAIN & SPROCKET KIT(14/40/110)												" , **

** - REFER KIT & KIT CONTENTS

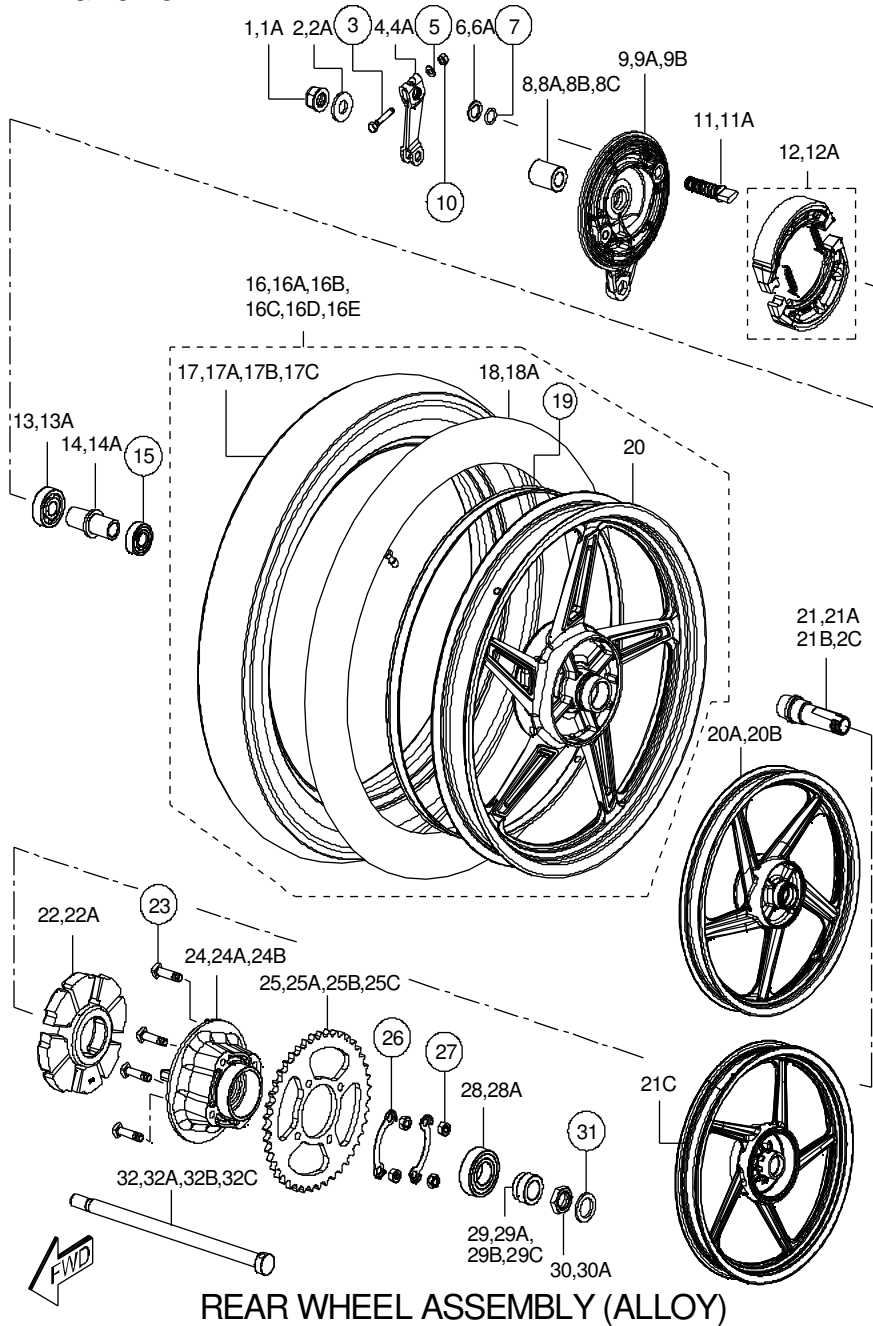
* - APPLICABLE FOR THE VEHICLES PRODUCED BEFORE JULY 2005



REAR WHEEL ASSEMBLY (ALLOY)

REF NO.	PART NO.	DESCRIPTION	NO. OFF							REMARKS				
			STAR		STAR CITY		STAR SPORT		STAR CITY					
			BASE	DLX	CITY	ALLOY	REF.	DLX	CVTI		110 CVTI			
1	K200410	U NUT M14x1.5				1	1	1						
1A	S1200790	HEX FLANGE U NUT M12x1.25									1	1		
2	M7200020	WASHER 14.5x32x3.2				1	1	--	--					
2A	N3200020	WASHER 18.5x30x3.2											1	
3	0331248	HEX BOLT M6x1x33				1	1	1	1	1				
4	M7110770	LEVER BRAKE CAM NEW				1	1	1						
4A	N5110740	LEVER BRAKE CAM NEW									1	1		
5	0335578	PUNCHED WASHER 6.5x13x1.0				1	1	1	1	1				
6	0335698	PUNCHED WASHER 14.5x22x1.6				1	1	1						
6A	N3200070	PUNCHED WASHER 14.5x22x0.8									1	1		
7	0178030	O RING BRAKE CAM-BR				1	1	1	1	1				
8	M7110750	SPACER REAR AXLE RH				1	1							
8A	N8111840	SPACER REAR AXLE RH						1						
8B	N8111720	SPACER REAR AXLE RH									1			
8C	N3110030	SPACER REAR AXLE RH											1	
9	1112450	PANEL BRAKE REAR 130 DIA				1	1	1						
9A	11124505D	PANEL BRAKE REAR 130 DIA				1	1	1						(SILVER)
9B	N2110290	PANEL BRAKE REAR 110 DIA				1	1	1						(BLACK)
9C	N21102905D	PANEL BRAKE REAR 110 DIA									1	1		
10	420305700	HEX NUT M6				1	1	1	1	1				
11	N2110130	CAM BRAKE				1	1	1						
11A	S1111710	CAM BRAKE									1	1		
12	K6320590	BRAKE SHOE SET DIA130				1	1	1						
12A	3171090	BRAKE SHOE SET DIA110									1	1		
13	1339510	BALL BEARING 15x42x13				1	1	1						
13A	N3200010	BALL BEARING 12x37x12									2	2		
14	1182200	SPACER COMP. FRONT HUB				1	1	1						
14A	N2110190	SPACER COMP. FRONT HUB									1	1		
15	1339520	BALL BEARING 15x35x11				1	1	1						
16	N8111330	WHEEL ASSY. REAR ALLOY				1	1							130 DIA
16A	N3111350	WHEEL ASSY. REAR ALLOY						1						130 DIA

FIG.No. 28A



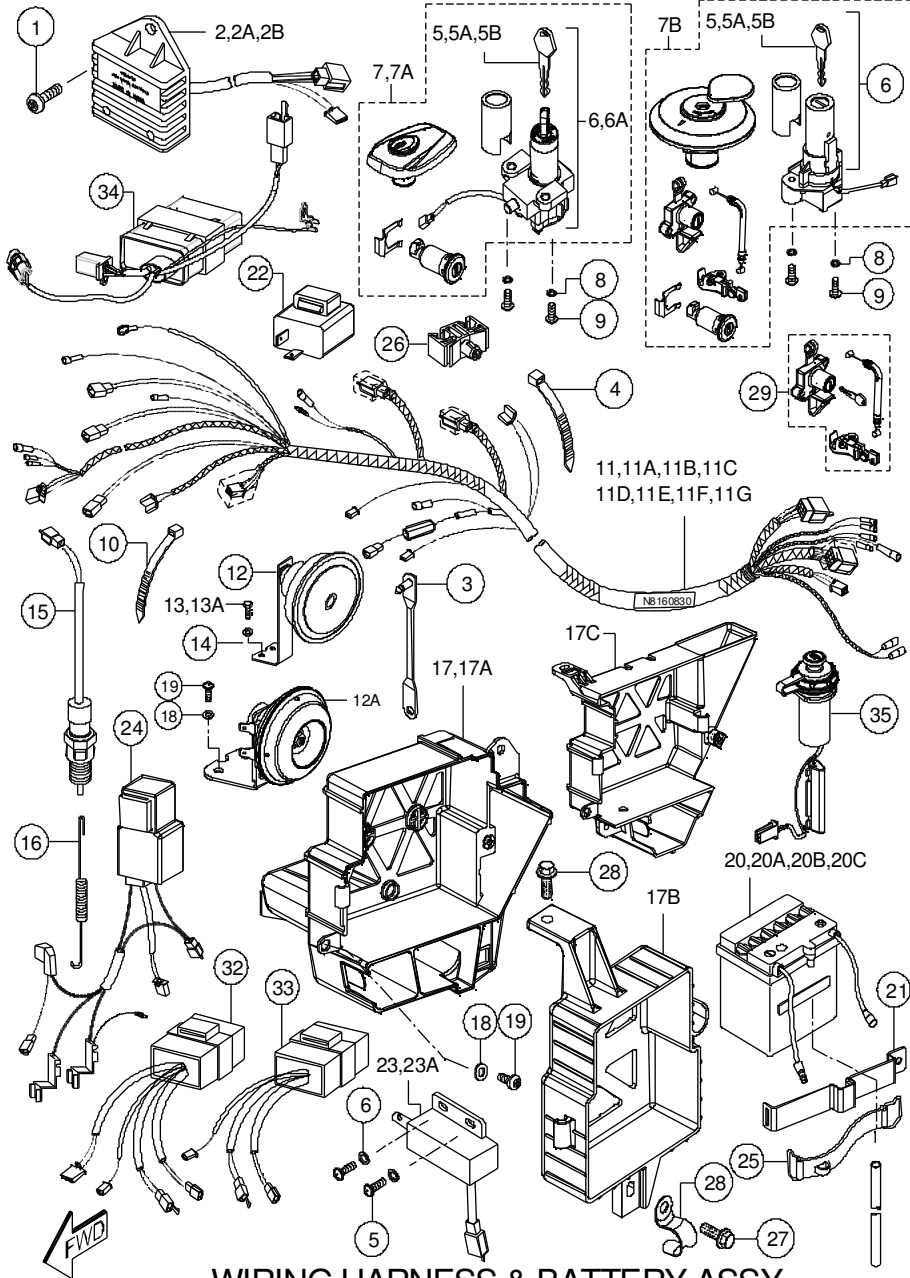
REAR WHEEL ASSEMBLY (ALLOY)

REAR WHEEL ASSEMBLY (ALLOY)

FIG.NO. 28A

REF NO.	PART NO.	DESCRIPTION	NO. OFF							REMARKS		
			STAR		STAR CITY		STAR SPORT		STAR CITY			
			BASE	DLX	CITY	ALLOY	REF.	DLX	CVTI		110 CVTI	
16B	N8112310	WHEEL ASSY. REAR ALLOY								1		
16C	N81123105D	WHEEL ASSY. REAR ALLOY								1		(BLACK)
16D	N8112500	WHEEL ASSY. REAR ALLOY									1	
16E	N81125005D	WHEEL ASSY. REAR ALLOY									1	(BLACK)
17	M1110300	TYRE REAR 3.00X18 ATT150				1	1					
17A	N3111360	TYRE REAR 3.00x18 ATT550								1		
17B	N8112240	TYRE 17 3.00 REAR									1	
17C	N8112470	TYRE 17 3.00 REAR ATT525										1
18	N3110440	TUBE ASSY.							1	1	1	
18A	N8112340	TUBE ASSY. REAR 3.00X17									1	1
19	N3110450	PROTECTOR WHEEL INNER TUBE				1	1		1			
20	M7111630	ALLOY WHEEL RR SILVER (5 SPO.)				1	1		1			
20A	N8112270	ALLOY WHEEL REAR 1.6x17x5									1	1
20B	N81122705D	ALLOY WHEEL REAR 1.6x17x5									1	1
20C	N8111810	ALLOY WHEEL REAR 1.85x18				1	1		1	1		130 DIA
21	N9110690	SHAFT RR SPROCKET MTG. DRUM				1	1					
21A	8110260	SHAFT RR SPROCKET MTG. DRUM								1		
21B	N8111580	SHAFT REAR SPROCKET DRUM									1	
21C	N3110030	SHAFT REAR SPROCKET DRUM										1
22	1181150	ABSORBER RR WHEEL HUB SHOCK				1	1		1			
22A	N2110360	ABSORBER RR WHEEL HUB SHOCK									1	1
23	0331318	BOLT REAR SPROCKET				4	4		4	4	4	
24	1181070	DRUM REAR SPROCKET - 130 DIA				1	1		1			
24A	N8112330	DRUM REAR SPROCKET - 110 DIA									1	1
24B	N2110370	DRUM REAR SPROCKET										1
25	1182040	SPROCKET REAR 41T					1					

FIG.No. 29A

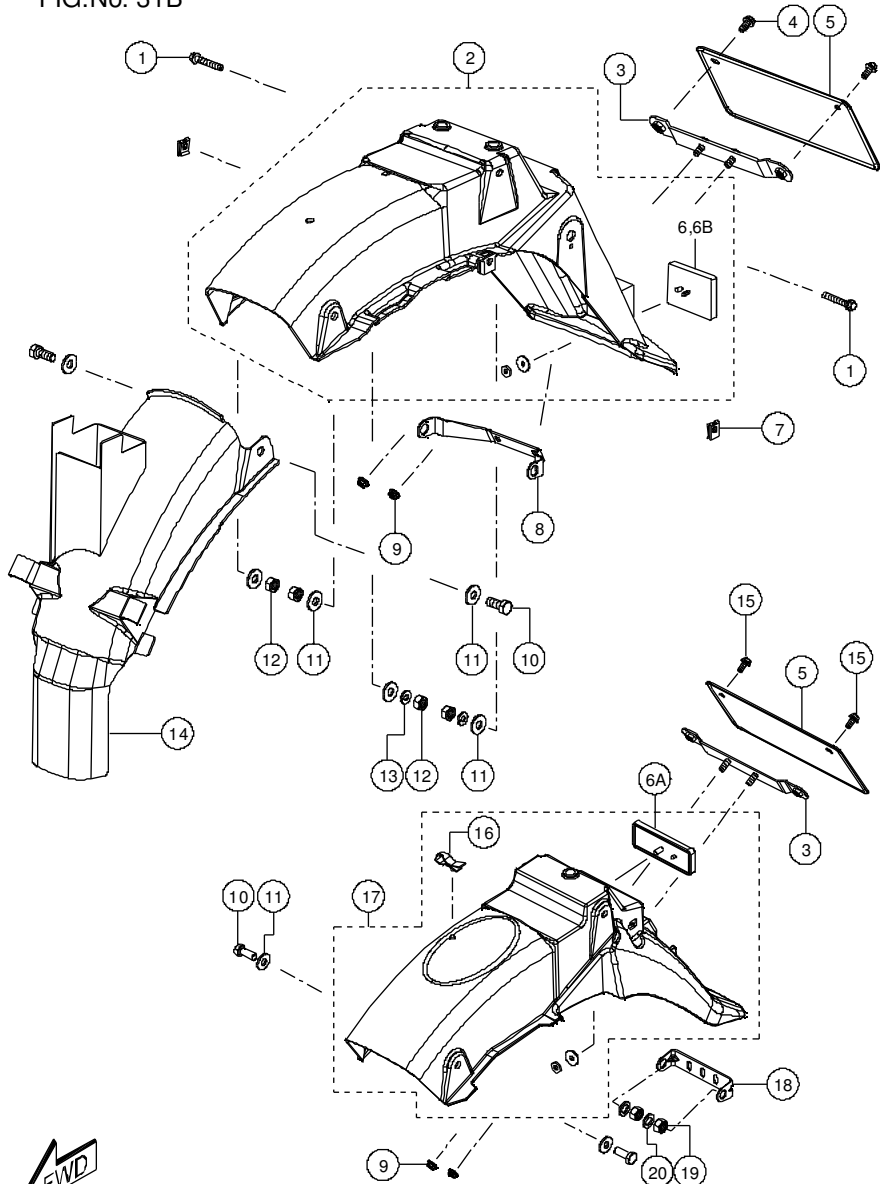


WIRING HARNESS & BATTERY ASSY.

WIRING HARNESS & BATTERY ASSY.

FIG.NO. 29A

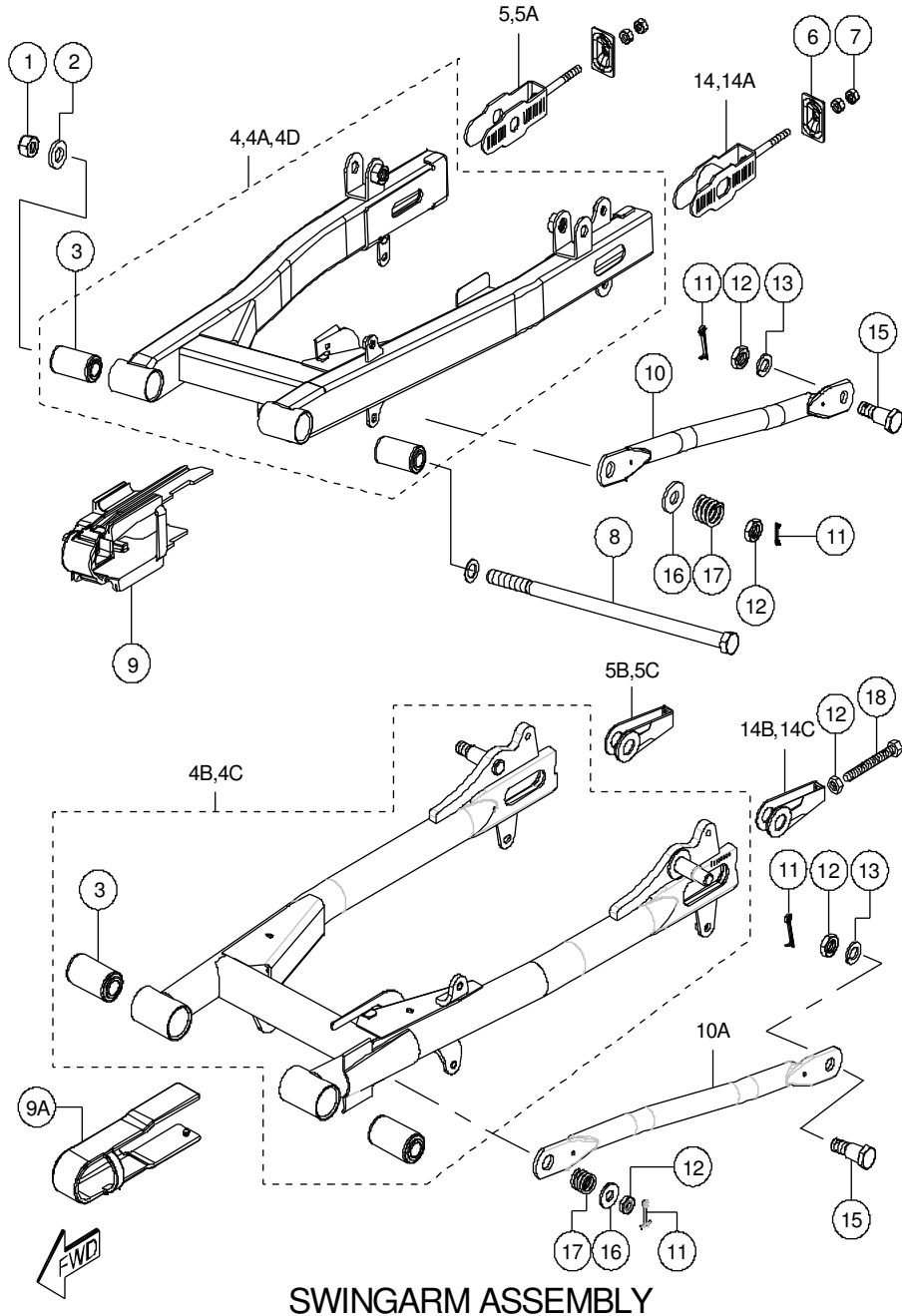
REF NO.	PART NO.	DESCRIPTION	NO. OFF						REMARKS		
			STAR		STAR CITY		STAR SPORT				
			BASE	DLX	CITY	ALLOY	REF.	DLX		CVTI	STAR CITY 110 CVTI
1	420518700	REC PAN HEAD SCREW M6x20					1	1	1	1	
2	N3060120	REGULATOR ASSY. 12V					1	1	1		KS
2A	N9060290	REGULATOR ASSY. ES					1			1	KS/ES
2B	N8060460	ELECTRONIC REGULATOR CONTROL								1	
3	0258570	CLAMP WIRING HARNESS					1	1			
4	N3160330	CLAMP WIRING HARNESS					1	1			
5	N5210590	BLANK KEY (ADEEP)					1	1	1	1	
6	N5160230	STEERING / IGNITION LOCK - KS					1	1	1	1	
6A	N8160490	STEERING / IGNITION LOCK - ES					1		1		
7	N5210080	LOCK SET KS					1	1		1	KS
7A	N8211510	LOCK SET ES					1			1	ES
7B	N8211780	LOCK SET KS						1	1		
7C	N8214260	LOCK SET ES							1		ES
8	0330408	WAVE SPRING WASHER					2	2	2		
9	K200700	CRR PAN HD SCREW M6x25					2	2			
10	N3160340	CLAMP WIRING HARNESS					3	2	2		
11	N8160730	WIRING HARNESS KS					1				
11A	N8160830	WIRING HARNESS ES					1				ES
11B	N8160860	WIRING HARNESS KS						1			
11C	N8161240	WIRING HARNESS KS							1		
11D	N8161070	WIRING HARNESS KS (CDI MODEL)								1	
11E	N8161080	WIRING HARNESS ES (CDI MODEL)								1	ES
11F	N8161260	WIRING HARNESS ES (TCI TYPE)								1	ES
11G	N8161270	WIRING HARNESS KS (TCI TYPE)								1	KS
11H	N5160470	WIRING HARNESS ES							1		ES
12	N8160010	HORN 12V DC					1			1	
12A	N8160900	HORN 12V DC						1	1		



REAR FENDER ASSEMBLY

REF NO.	PART NO.	DESCRIPTION	NO. OFF							REMARKS		
			STAR		STAR CITY		STAR SPORT		STAR CITY			
			BASE	DLX	CITY	ALLOY	REF.	DLX	CVTI		110 CVTI	
1	N5200170	HEX FLANGE BOLT M6x35		2	2	2	2	2	2	2		
2	N8220130	FENDER REAR		1	1	1	1					1
3	N8220300	BRKT COMP.LICE. PLATE RR MTG.		1	1	1	1	1	1	1		1
4	420452700	HEX FLANGE BOLT M6x12		2	2	2	2					2
5	N8121710	LICENCE PLATE REAR		1	1	1	1	1	1	1		1
5A	D127420	LICENCE PLATE REAR										1
6	8160020	REFLEX REFLECTOR		1	1	1	1					
6A	M7160120	REFLEX REFLECTOR							1	1		
6B	N3160240	REFLEX REFLECTOR										1
7	7130020	RETAINER CLIP PANEL		2	2	2	2					2
8	N8220390	BRKT FENDER REAR		1	1	1	1					1
9	0334146	HEX FLANGE NUT M6		2	2	2	2	2				2
10	420454700	HEX SCREW M8x20		2	2	2	2	2	2			2
11	0336018	PUNCHED WASHER 8.5x20x2		4	4	4	4	4	4			4
12	0334548	HEX NUT M8		2	2	2	2	2				2
13	0330408	WAVE SPRING WASHER M6		2	2	2	2					2
14	N8220240	BODY FRONT FENDER REAR		1	1	1	1		1			1
15	C8200040	HEX FLANGE BOLT M6x1x12							2	2		
16	0258570	CLAMP REAR FENDER							1	1		
17	N8220820	FENDER REAR COMP.							1	1		
18	N8221010	BRKT FENDER REAR							1	1		
19	0334038	HEX NUT							2	2		
20	0330328	SPRING WASHER							2	2		

FIG.No. 32

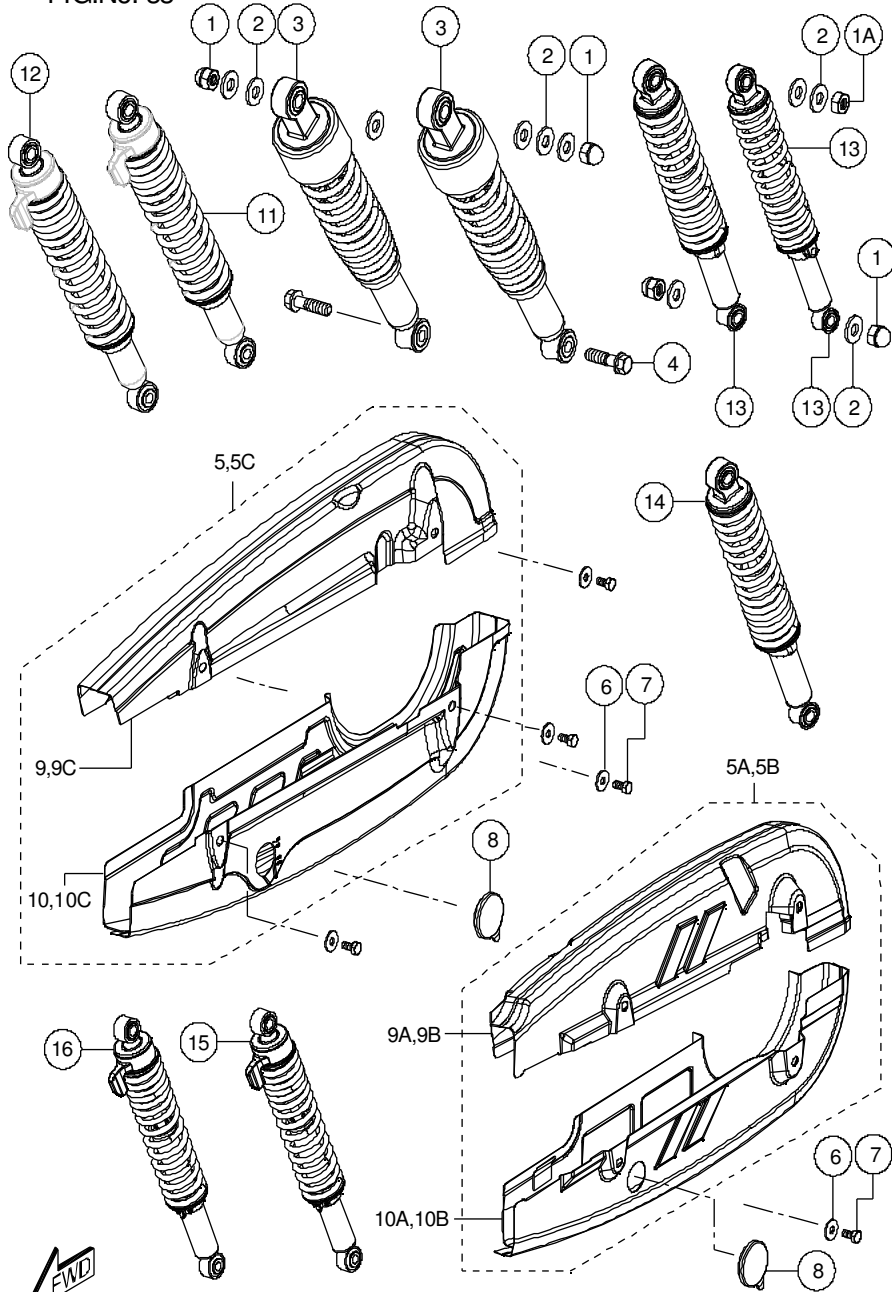


SWINGARM ASSEMBLY

FIG.NO. 32

REF NO.	PART NO.	DESCRIPTION	NO. OFF								REMARKS	
			STAR			STAR CITY		STAR SPORT		STAR CITY		
			BASE	DLX	CITY	ALLOY	REF.	DLX	CVTI	110 CVTI		
1	0334158	NUT REAR SWING ARM PIVOT	1	1	1	1	1	1	1	1		
2	420015700	PUNCHED WASHER 12.5x24	1	1	1	1	1	1	1	1		
3	N3090670	BUSH SWING ARM	2	2	2	2	2	2	2	2		
4	N8320040	SWING ARM ASSY.	1	1	1		1				1	(BLACK)
4A	N3321420	SWING ARM ASSY. (EDGE ALLOY)					1	1				
4B	N8323150	SWING ARM ASSY. (ALLOY)							1			
4C	N8323710	SWINGARM WITH BUSH								1		
5	N5091010	CHAIN ADJUSTER COMP. RH (SPOK	1	1	1		1				1	
5A	N9090910	CHAIN ADJ. COMP. RH (ALLOY)					1	1				
5B	8110280	CHAIN ADJ. COMP. RH							1			(BLACK)
5C	0202118	CHAIN ADJ. COMP. RH								1		
6	N5091170	CLAMP CHAIN ADJUSTER	2	2	2	2	2	2				
7	420305700	HEX NUT M6	4	4	4	4	4	4	4	4	4	
8	N3091280	AXLE REAR SWING ARM	1	1	1	1	1	1	1	1	1	
9	N8090380	BUFFER CHAINCASE DEFENCE	1	1	1	1	1	1			1	
9A	N8090760	BUFFER CHAINCASE DEFENCE							1	1		
10	N3090610	TORQUE LINK REAR	1	1	1	1	1	1			1	
10A	M7090970	TORQUE LINK REAR							1	1		
11	0330048	SPLIT PIN 2x20	2	2	2	2	2	2	2	2	2	
12	0334218	HEX NUT M8	2	2	2	2	2	2	4	4	4	
13	0330318	WAVE SPRING WASHER M8	1	1	1	2	2	2	2	2	2	
14	N5091050	CHAIN ADJUSTER COMP. LH	1	1	1						1	(SPOKE)
14A	N9090940	CHAIN ADJUSTER COMP. LH					1					(ALLOY)
14B	8110270	CHAIN ADJ. COMP. LH							1			
14C	3202318	CHAIN ADJ. COMP. LH								1		
15	N3090700	BOLT TORQUE LINK REAR	1	1	1	1	1	1	1	1	1	
16	0336018	PUNCHED WASHER 8.5x20x2.0	1	1	1	1	1	1	1	1	1	
17	3207018	SPRING	1	1	1	1	1	1	1	1	1	
18	0331308	BOLT CHAIN ADJUSTER							2	2		

FIG.No. 33



SHOCK ABSORBER & CHAIN COVER ASSY.

SHOCK ABSORBER & CHAIN COVER

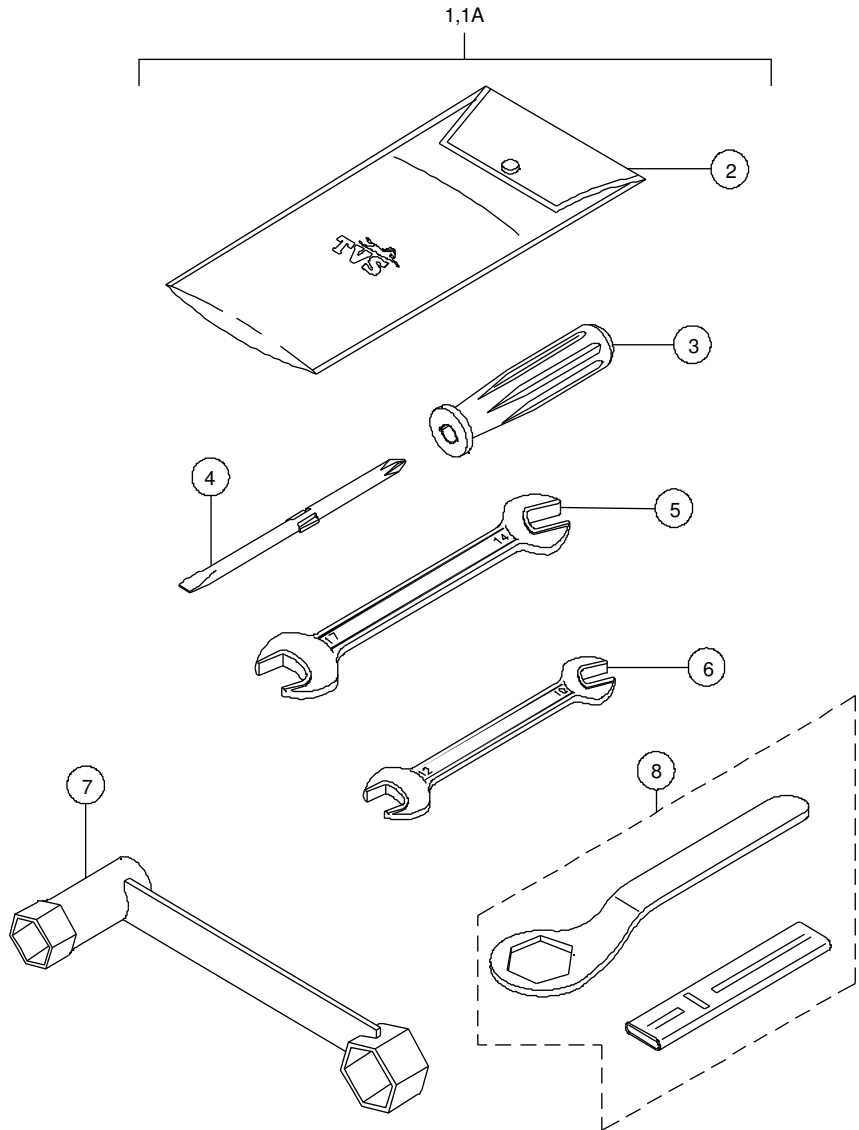
FIG.NO. 33

REF NO.	PART NO.	DESCRIPTION	NO. OFF							REMARKS	
			STAR		STAR CITY		STAR SPORT		STAR CITY		
			BASE	DLX	CITY	ALLOY	REF.	DLX	CVTI		110 CVTI
1	0334047	CAP NUTS	2	2	2	2	2			2	
1A	K200690	HEX NUT M10x1.25							2	2	
2	0335628	PUNCHED WASHER	6	6	6	6	6	6	6	6	
3	N8090400	SHOCK ABSORBER	2	2							
4	N3200050	HEX FLANGE BOLT M10x1.5x36	2	2	2	2	2				2
5	N8320050	CHAIN CASE SET	1	1	1	1	1				
5A	N8323140	CHAIN CASE SET							1		
5B	N8323700	CHAIN CASE SET								1	
5C	N8323760	CHAIN CASE SET BLACK									1
6	420011700	PLAIN WASHER A6.4	4	4	4	4	4	4	4	4	4
7	420452700	HEX SCREW M6x12	4	4	4	4	4	4	4	4	4
8	409198000	DUST SEAL CHAIN COVER	1	1	1	1	1	1	1	1	1
9	N8090330	CHAIN CASE COMP. UPPER	1	1	1	1	1				
9A	N8090620	CHAIN CASE COMP. UPPER							1		
9B	N8090900	CHAINCASE UPPER BLACK								1	
9C	N80903305D	CHAINCASE COMP. UPPER BLACK									1
10	N8090340	CHAIN CASE COMP. LOWER	1	1	1	1	1				
10A	N8090630	CHAIN CASE COMP. LOWER							1		
10B	N8090910	CHAINCASE LOWER BLACK								1	
10C	N80903405D	CHAINCASE LOWER BLACK									1
11	N8090360	SHOCK ABSORBER LH			1	1	1				
12	N8090280	SHOCK ABSORBER RH			1	1	1				
13	N8090750	SHOCK ABSORBER (LH, RH)								2	
14	N8091100	SHOCK ABSORBER (LH, RH)									2
15	N8091020	SHOCK ABSORBER LH (SILVER)									1
15A	N80910200D	SHOCK ABSORBER LH (BLACK)									1
16	N8091030	SHOCK ABSORBER RH (SILVER)									1
16A	N80910300D	SHOCK ABSORBER RH (BLACK)									1

NEW

NEW

FIG.No.34



TOOL KIT ASSEMBLY

TOOL KIT ASSEMBLY

FIG.NO. 34

REF NO.	PART NO.	DESCRIPTION	NO. OFF								REMARKS
			STAR			STAR CITY		STAR SPORT		STAR CITY	
			BASE	DLX	CITY	ALLOY	REF.	DLX	CVTI	110 CVTI	
1	N8210280	TOOL KIT SET	1	1	1	1			1	1	
1A	N8211830	TOOL KIT SET			1	1	1	1			
2	---	TOOL BAG	1	1	1	1	1	1	1	1	
3	---	GRIP DRIVER	1	1	1	1	1	1	1	1	
4	---	BIT (+) (-)	1	1	1	1	1	1	1	1	
5	---	SPANNER 14x17	1	1	1	1	1	1	1	1	
6	---	SPANNER 10x12	1	1	1	1	1	1	1	1	
7	---	BOX SPANNER 16	1	1	1	1	1	1	1	1	
8	---	RING SPANNER	1	1	1	1	1	1	1	1	