



**PARTS  
CATALOGUE**



**RX 135**

**INDIA**



**4TL1/2**

RX 135 (4TL1/2)  
PARTS CATALOGUE  
**INDIA YAMAHA MOTOR PVT. LTD.**  
All rights reserved.  
Any reprinting or unauthorized use  
without the written permission of  
**INDIA YAMAHA MOTOR PVT. LTD.**  
is expressly prohibited.  
Printed in INDIA

# FOREWORD

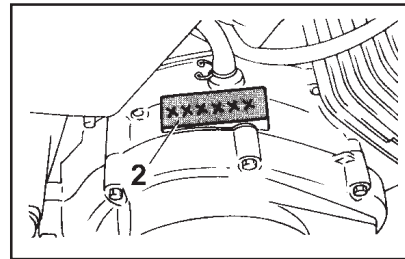
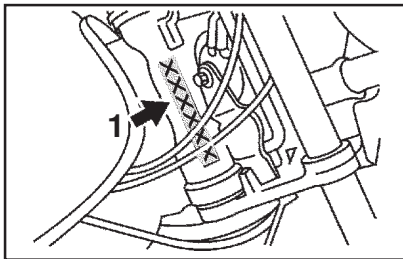
This Parts Catalogue is related to the parts in use for the YAMAHA - RX 135 (4TL1) When you are ordering replacement parts for RX 135 (4TL1) refer to this Parts Catalogue and quote both part numbers and part names correctly.

1. Modifications or additions which have been made after issue of the Parts Catalogue will be announced in the Service Actions. It is advisable that according to the Service Action you make necessary corrections to the Parts Catalogue on hand to keep it up-to-date.
2. Indication of No. of constituent parts for assembly.  
The numeral appearing to the right of each constituent part under the description indicates the quantity of such parts for each individual assembly unit.

### EXAMPLE

Part No.	Description	Qty
2YA-XE1400-00	CRANK SHAFT ASSY.	1
36L-H2110-01	BATTERY ASSY	1
4TL-E1111-10	CYLINDER HEAD	1

### 3. Applicable Serial No. and Color Code



Colour Code	Colour Name	Abbreviate
01H9	YAMAHA BLACK	YB
01H6	MAROON	CNM
019V	BLUE	BL

### NOTICE

The description and illustration in this Parts Catalogue may not necessarily match with the physical appearance of the parts.

INDIA YAMAHA MOTOR PVT. LTD. reserves the right to carry out modifications on the vehicle, parts or accessories, as may be considered necessary, without being obliged to update this Parts Catalogue immediately.

No part of this Publication may be reproduced without written permission of INDIA YAMAHA MOTOR PVT. LTD.

# CONTENTS

## ENGINE

CYLINDER .....	2
CRANKSHAFT/PISTON .....	3
OIL PUMP .....	4
INTAKE .....	5
CARBURETTOR .....	7
EXHAUST .....	9
CRANKCASE .....	10
CRANKCASE COVER 1 .....	11
STARTER .....	12
CLUTCH .....	13
TRANSMISSION .....	14
SHIFT CAM FORK .....	15
SHIFT SHAFT .....	16

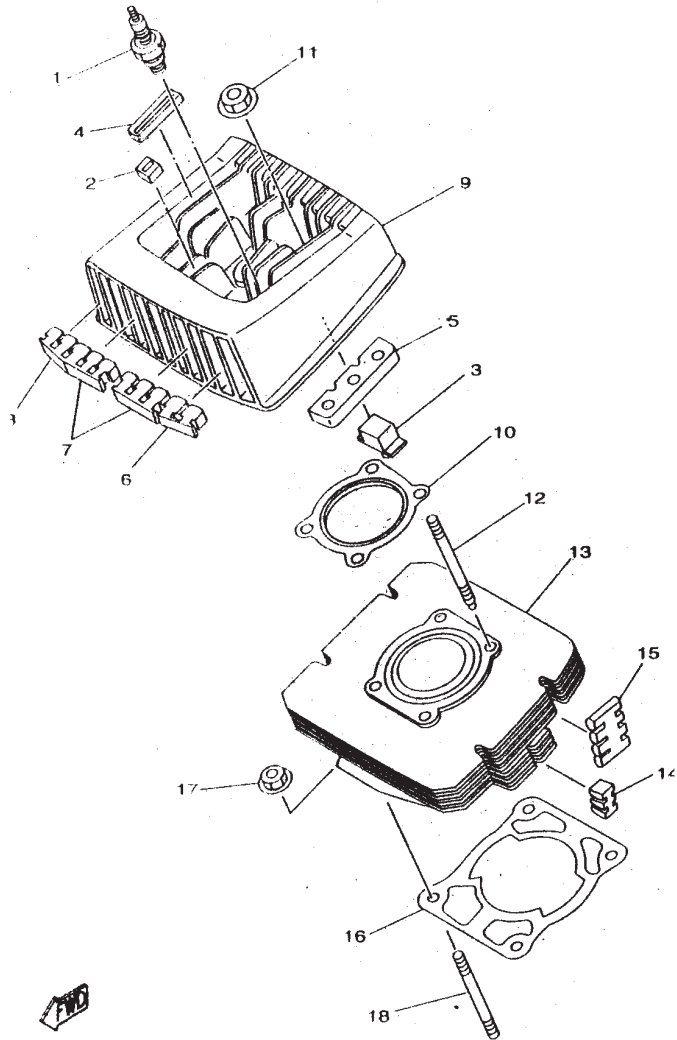
## CHASSIS

FRAME .....	17
FENDER .....	18
SIDE COVER .....	19
OIL TANK .....	20
REAR ARM. & SUSPENSION .....	21
STEERING .....	22
FRONT FORK .....	23
FUEL TANK .....	25
DOUBLE SEAT.....	27
FRONT WHEEL ... ..	28

REAR WHEEL ... ..	30
HANDLE & CABLE .....	32
STAND FOOTREST... ..	33
GENERATOR .....	35
FLASHER LIGHT .....	36
METER .....	37
HEAD LIGHT .....	38
TAIL LIGHT .....	39
HANDLE SWITCH & LEVER .....	40
ELECTRICAL 1 .....	41
ELECTRICAL 2 .....	42
OPTIONAL PARTS .....	43

NUMERICAL INDEX

FIG. 1 CYLINDER



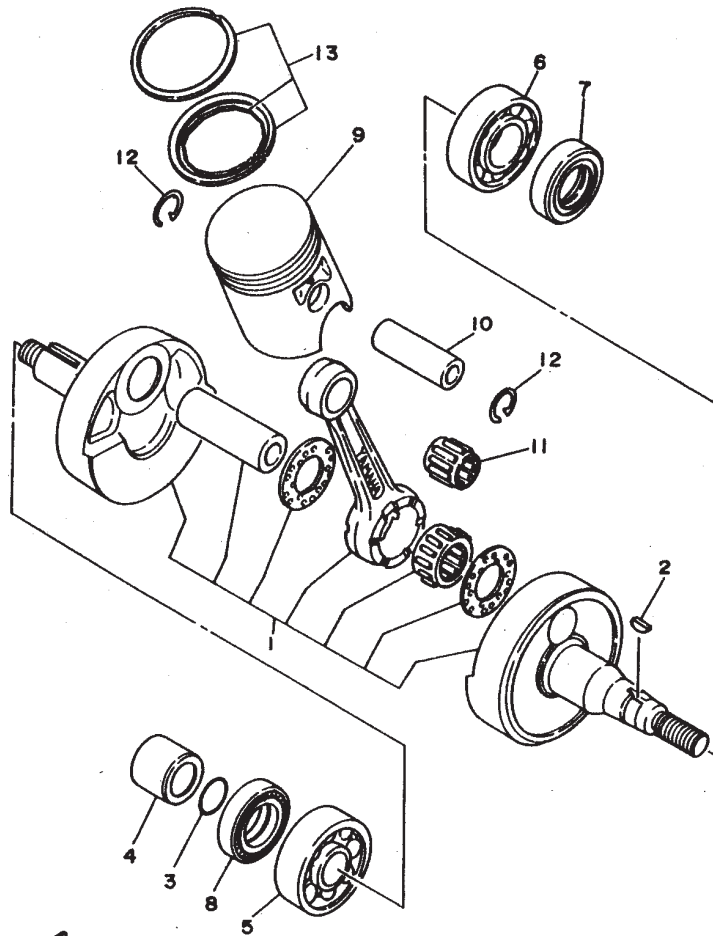
58X440-5010

NOTE :-

- 1) Requested to create the parts order in existing part no. i.e in 12 digit
- 2) Part numbers having no symbol in remarks column indicates its serviceability
- A) Part nos with symbol (Δ) are serviceable till stock
- B) Part nos with symbol (#) are not serviceable due to constraints

REF. NO.	EXISTING PART NO.	PART NAME	4TL1	9 DIGIT PART NO.	ESCORT 12 DIGIT	SUPERSEDED PART NO.	REMARKS
1	947030083000	SPARK PLUG-NGK-BPR7HS	1	000024204		947000022700	
2	36LE11270000	ABSORBER-3	6	1L1520006			
3	4TLE11280000	ABSORBER-4	2	1L5520007			
4	4TLE11270000	ABSORBER-4	2	1L5520003			
5	4TLE11281000	ABSORBER-6	2	1L5520004			
6	4TLE11620000	ABSORBER-2	1	1L5520006			
7	2YAE11290000	ABSORBER-5	4	1M1520005			
8	4TLE11610000	ABSORBER-1	1	1L5520005			
9	4TLE11111000	CYLINDER HEAD	1	1L5520002	1L5520002X00		#
10	4TLE11810000	GASKET CYL. HEAD 1	1	1L5520001			
11	901790841000	NUT	4	000004309			
12	901160839300	BOLT STUD	4	1L1520011			
13	4TLE13110000	BODY CYL.RXG/Z	1	1L5520100			#
14	36LE11610000	ABSORBER-1	4	1L1520104			
15	4TLE11611000	ABSORBER-9	4	1L5520009			
16	36LE13510000	GASKET CYLINDER	1	1L1520003			
17	901791081200	NUT	4	1L1520008			
18	901161027800	BOLT STUD	4	1L1520010			

FIG.2 CRANKSHAFT,PISTON

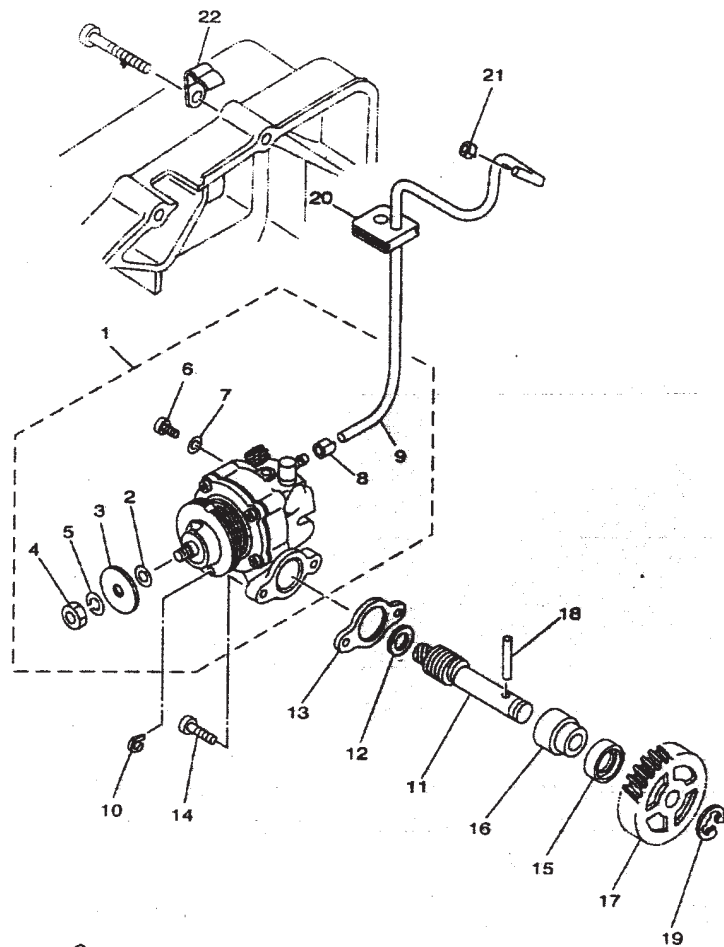


4TLI470-6020

NOTE :-

- 1) Requested to create the parts order in existing part no. i.e in 12 digit
- 2) Part numbers having no symbol in remarks column indicates its serviceability
- A) Part nos with symbol (Δ) are serviceable till stock
- B) Part nos with symbol (#) are not serviceable due to constraints

REF. NO.	EXISTING PART NO.	PART NAME	4TL1	9 DIGIT PART NO.	ESCORT 12 DIGIT	SUPERSEDED PART NO.	REMARKS
1	2YAXE1400000	CRANK ASSY	1	1M1540100			
2	902800301700	KEY WOODRUFF	1	1L1540001			
3	932101802300	O RING	1	1L1540002			
4	90387205E900	COLLAR	1	1L1540003			
5	93306304Y200	BEARING	1	1L1540005			
6	93306205Y000	BEARING	1	1L1540004			
7	931022580700	OIL SEAL	1	1L1540006			
8	931032880000	OIL SEAL	1	1L1540007			
9	4TLE16310000	PISTON STD	1	1L5540100			#
	4TL116350000	PISTON O/S(.25 MM)	1	1L5540200			#
	4TL116360000	PISTON O/S(.0.50 MM)	1	1L5540300			#
10	2YAE16330000	PIN PISTON	1	1M1540001			
11	93310216J200	BEARING CYLINDRICAL	1	1M1541200			
12	934501712900	CIRCLIP	2	1L5540004			
13	4TLE16030000	PISTON RING SET (STD)	2	1L5540400			
	4TLE16040000	PISTON RING SET (0.25MM O-S)	1	1L5540500			
	4TLE16050000	PISTON RING SET (0.50MM O-S)	1	1L5540600			



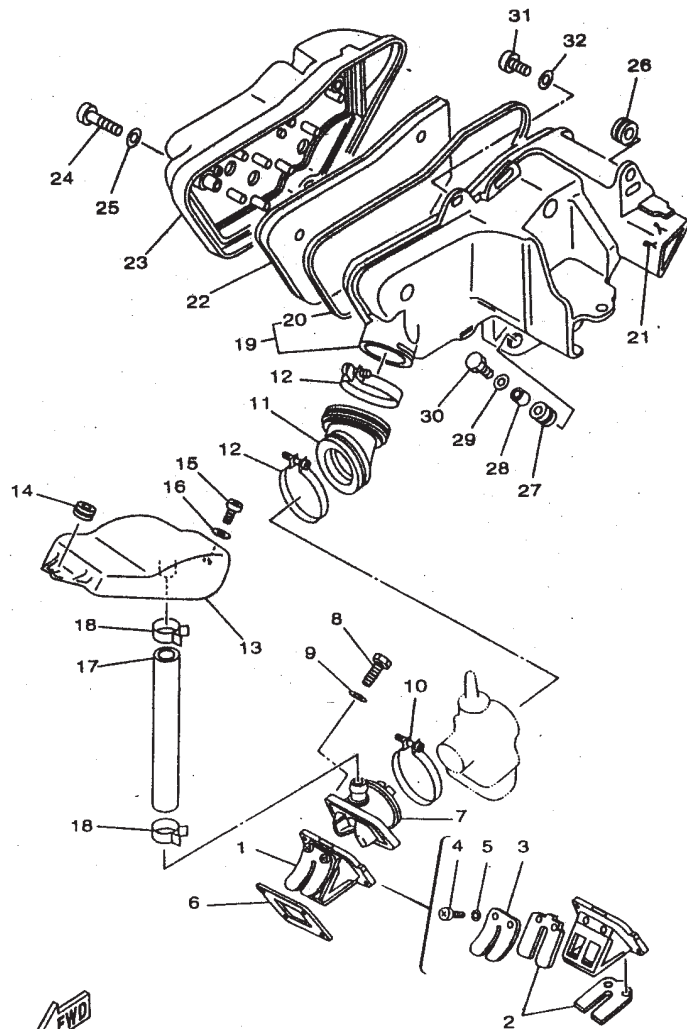
36L0470-4031

FIG.3 OIL PUMP

REF. NO.	EXISTING PART NO.	PART NAME	4TL1	9 DIGIT PART NO.	ESCORT 12 DIGIT	SUPERSEDED PART NO.	REMARKS
1	4TLE31001000	OIL PUMP ASSY	1	1L5630100		1L5630100X00	#
2	36LE31370005	SHIM PLUNGER	1	1A1630115			Δ
	36LE31370005	SHIM PLUNGER	1	1A1630116			Δ
	36LE31370010	SHIM PLUNGER	1	1A1630117			Δ
3		PLATE,ADJUSTING	1				#
4	9530M0560000	NUT HEX	1	000004105			Δ
5	9290N0510000	SPRING WASHER 5.5	1	000005110			
6	9890N0400800	SCREWBIND	1	000034207			Δ
7	904300400400	GASKET	1	1A1630104			
8	904680203300	CLIP	1	1A1630008			
9	904452155200	HOSE	1	1L5630101			
10	2YAE31330000	CLIP	1	1M1630001			#
11	36LE31750100	SHAFT WORM	1	1L1630002			
12	902010862400	WASHER PLATE	1	1A1630002			
13	36LE31160000	GASKET PUMP	1	1A1630006			
14	9850N0501400	CRPH SCREW	2	000032265		985800501400	Δ
15	931011080600	OIL SEAL	1	1A1630005			
16	36LE31760000	BUSH SPACING	1	1A1630004			
17	36LE31780000	GEAR DRIVE	1	1L1630003			
18	936032280500	PIN DOWEL	1	1A1590013			
19	934300881000	CIRCLIP	1	000016311			
20	36LE31740000	HOLDER OIL PIPE	1	1L1630004			
21	904680203300	CLIP	1	1A1630008			
22	904611007100	CLAMP	1	1L1630005			

NOTE :-

- 1) Requested to create the parts order in existing part no. i.e in 12 digit
- 2) Part numbers having no symbol in remarks column indicates its serviceability
- A) Part nos with symbol (Δ) are serviceable till stock
- B) Part nos with symbol (#) are not serviceable due to constraints



4TL1470-6040

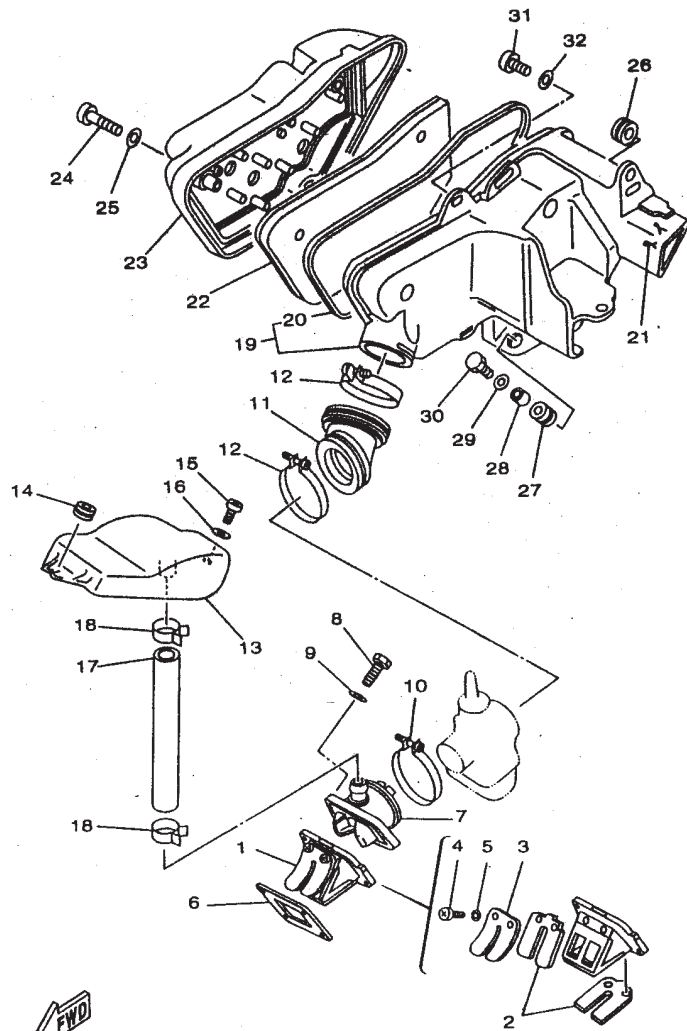
**NOTE :-**

- 1) Requested to create the parts order in existing part no. i.e in 12 digit
- 2) Part numbers having no symbol in remarks column indicates its serviceability
- A) Part nos with symbol (Δ) are serviceable till stock
- B) Part nos with symbol (#) are not serviceable due to constraints

**FIG. 4 INTAKE**

REF. NO.	EXISTING PART NO.	PART NAME	4TL1	9 DIGIT PART NO.	ESCORT 12 DIGIT	SUPERSEDED PART NO.	REMARKS
1	2YAE36100000	REED VALVE ASSY	1	1M1140300			
2	2YAE36131000	REED, VALVE	2	1M1140301			#
3	36LE36160000	STOPPER, REED VALVE	2	1A1520202			#
4	985070300800	SCREW PAN HEAD	4	000034206			#
5	929060310000	SPRING WASHER	4	000005101			#
6	36LE36210000	GASKET REED VALVE	1	1A1520005			
7	2YAE35650000	JOINT CARBURETTOR	1	1M1140200			
8	970170602500	BOLT HEXAGON	4	000202107			
9	929070660000	WASHER	4	000006204			
10	904604305300	CLAMP ASSY	1	1A1520600			
11	36LE44530000	JOINT 1	1	1L1140002			
12	904604905800	CLAMP HOSE	2	1L1140700			
13	2YAE35810000	AIR CHAMBER	1	1M1140001			
14	904801205300	GROMMET	1	1L1140003			
15	9850N0601600	PAN HEAD SCREW (C)	1	000034222		985070601600	
16	902010655700	WASHER	1	000006407			
17	904452155200	HOSE	1	1M1140003			
18	904672005000	CLIP	2	1M1140004			
19	36LE44012000	AIR FILTER CASE ASSY	1	1L2140300			
20	36LE44760100	SEAL	1	1L1140401		36LE44760000	
21	36LE44240000	CLIP	1	1L1140402			
22	36LE44510100	FILTER ELEMENT 1	1	1L5140101		4TLE44510000	
23	36LE44020000	CAP CASE ASSY	1	1L1140600			
24	9850N0604000	SCREW CHEESE HEAD	3	000034227		985070604000	
25	929070620000	WASHER	3	000006304			
26	904801205300	GROMMET	1	1L1140003			
27	904801410200	GROMMET	1	1L1140004			
28	903870739000	COLLAR	1	1L1140001			





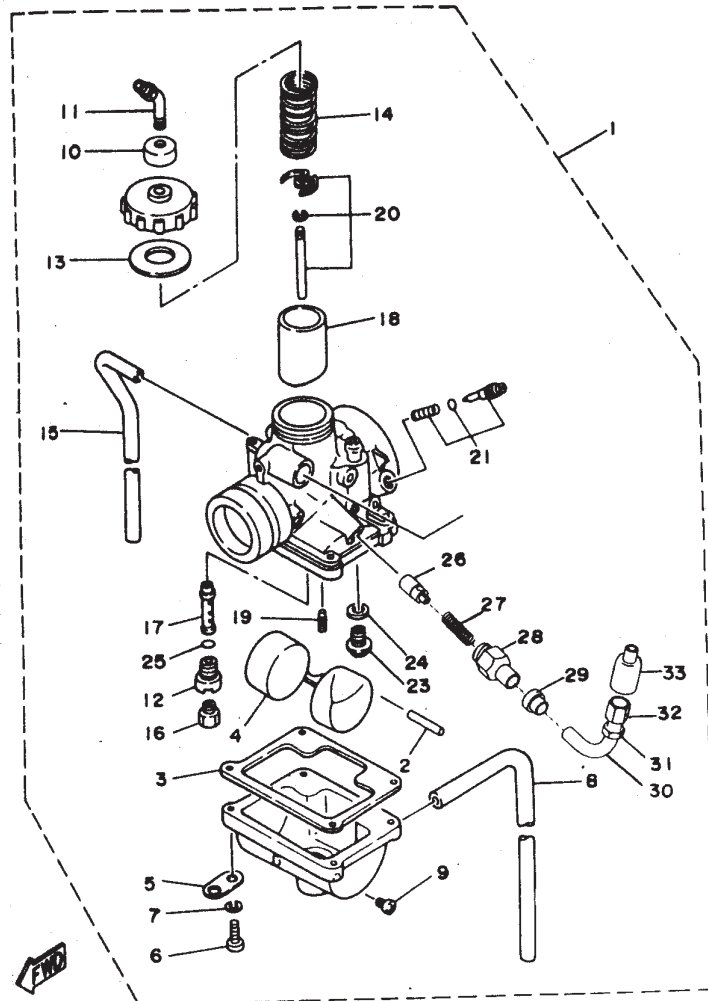
4TL1470-6040

**NOTE :-**

- 1) Requested to create the parts order in existing part no. i.e in 12 digit
- 2) Part numbers having no symbol in remarks column indicates its serviceability
- A) Part nos with symbol (Δ) are serviceable till stock
- B) Part nos with symbol (#) are not serviceable due to constraints

**FIG. 4 INTAKE**

REF. NO.	EXISTING PART NO.	PART NAME	4TL1	9 DIGIT PART NO.	ESCORT 12 DIGIT	SUPERSEDED PART NO.	REMARKS
29	902010655700	WASHER	1	000006407			
30	970170602500	BOLT HEXAGON	1	000002107			
31	9850N0601600	PAN HEAD SCREW (C)	1	000034222		985070601600	
32	902010655700	WASHER	1	000006407			
-----							
-----							
-----							
-----							
-----							
-----							
-----							
-----							



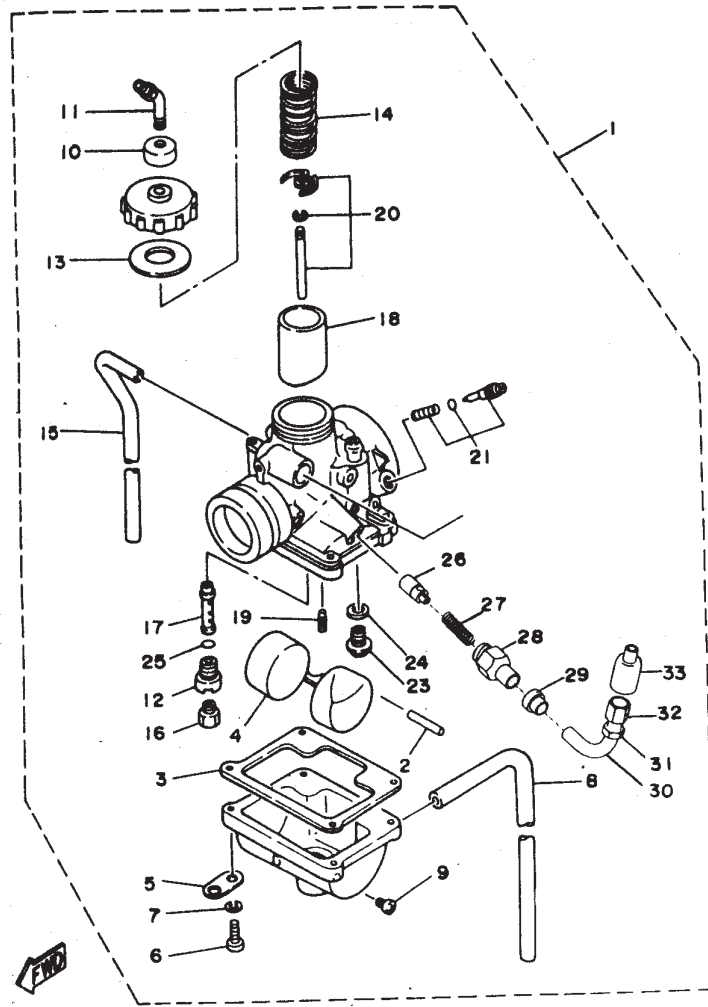
7L1470-6050

FIG. 5 CARBURETOR

REF. NO.	EXISTING PART NO.	PART NAME	4TL1	9 DIGIT PART NO.	ESCORT 12 DIGIT	SUPERSEDED PART NO.	REMARKS
1	4TL141010100	CAR BORETTOR ASSY.	1	1L5650000			#
2	127141860000	PIN FLOAT	1	1L1560001	127141860000		#
3	1L1560002X00	GASKET FLOAT CHAMBER	1	1L1560002	1L1560002X00		Δ
4	1L1560300X00	FLOAT	1	1L1560300	1L1560300X00		Δ
5	1L1560004X00	PLATE	1	1L1560004	1L1560004X00		#
6	9760N0411600	CRP HD SCREW W / WASHER	4	000034211			#
7	929900410000	SPRING WASHER	4	000005102			#
8	1V3141960000	PIPE	1	1L1560006			#
9	12R141910000	PLUG, DRAIN	1	1L1560007			#
10	1M1141690000	CAP	1	1L5560001			#
11	1L5662500X00	CABLE ADJ. SCREW SET	1	1L5662500	1L5662500X00		#
12	1L1560009X00	HOLDER	1	1L1560009	1L1560009X00		#
13	1L1560010X00	PACKING	1	1L1560010	1L1560010X00		Δ
14	4TL141310000	SPRING THROTTLE VALVE	1	1L5560002			#
15	3L7141970000	PIPE	1	1L5560003			#
16	1L5560006X00	JET MAIN	1	1L5560006	1L5560006X00		#
17	4TL141412800	NOZZLE MAIN	1	1L5560004			#
18	304141122000	VALVE, THROTTLE 1	1	1L1560015			#
19	1L5560005X00	JET PILOT20	1	1L5560005	1L5560005X00		#
20	4TL149030000	NEEDLE SET	1	1L5662600			#
21	3MB141040000	AIR SCREW SET	1	1L5662700			#
22	1L5662400X00	THROTTLE SCREW SET	1	1L5662400	1L5662400X00		#
23	31J141072000	NEEDLE VALVE SET	1	1L1560500			#
24	36LE41950000	WASHER VALVE SEAT	1	1L1560020			Δ
25	214141470000	O.RING	1	1L1560024			#
26	1L5650003X00	PLUNGER STARTER	1	1L5650003	1L5650003X00		#
27	509141350000	PLUNGER SPRING	1	1L5650004	1L5650004X00		#

NOTE :-

- 1) Requested to create the parts order in existing part no. i.e in 12 digit
- 2) Part numbers having no symbol in remarks column indicates its serviceability
- A) Part nos with symbol (Δ) are serviceable till stock
- B) Part nos with symbol (#) are not serviceable due to constraints



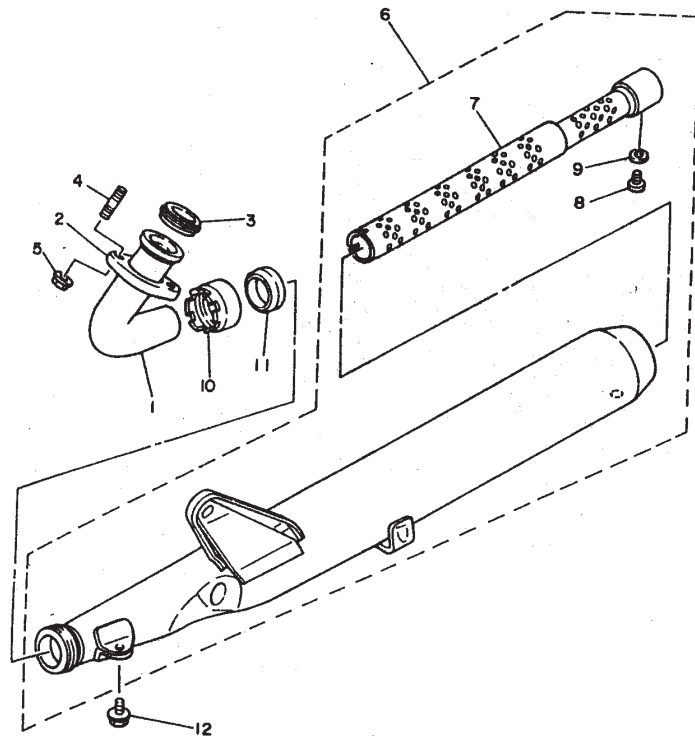
LI470-6050

FIG. 5 CARBURETOR

REF. NO.	EXISTING PART NO.	PART NAME	4TL1	9 DIGIT PART NO.	ESCORT 12 DIGIT	SUPERSEDED PART NO.	REMARKS
28	1L5650005X00	CAP PLUNGER	1	1L5650005	1L5650005X00		Δ
29	1L5650002X00	BOOT WIRE STARTER	1	1L5650002	1L5650002X00		Δ
30	1L5650006X00	GUIDE CABLE	1	1L5650006	1L5650006X00		Δ
31	1L5650008X00	NUT WIRE ADJUSTING	1	1L5650008	1L5650008X00		Δ
32	1L5650007X00	CABLE ADJUSTER	1	1L5650007	1L5650007X00		#
33	1L5650001X00	BOOT WIRE STARTER	1	1L5650001	1L5650001X00		#

NOTE :-

- 1) Requested to create the parts order in existing part no. i.e in 12 digit
- 2) Part numbers having no symbol in remarks column indicates its serviceability
- A) Part nos with symbol (Δ) are serviceable till stock
- B) Part nos with symbol (#) are not serviceable due to constraints



 IUW521-6060

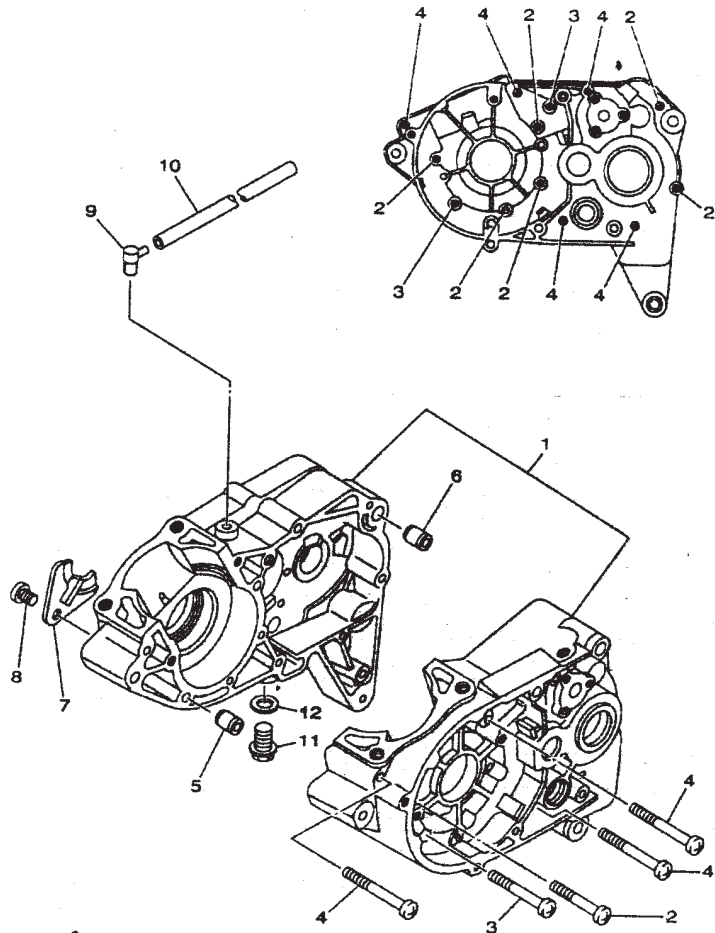
**FIG. 6 EXHAUST**

REF. NO.	EXISTING PART NO.	PART NAME	4TL1	9 DIGIT PART NO.	ESCORT 12 DIGIT	SUPERSEDED PART NO.	REMARKS
1	36LE46110000	PIPE EXHAUST ASSY	1	1L1130100			
2	36LE46120000	NUT RING	1	1L1130001			
3	36LE46130000	GASKET EXHAUST	1	1A1130002			
4	901160816600	BOLT STUD	2	1A1130003			
5	901790841000	NUT	2	1L1010006		901790882300	
6	36LE47101000	MUFFLER ASSY/RX/RXG	1	1L1130500		36LE47102000	
7	36LE47532000	SILENCER EXHAUST	1	1L1130700			#
8	985170601200	SCREW PAN HEAD	1	000032712			
9	9290N0610000	WASHER, SPRING	1	000006209		929070610000	Δ
10	36LE47130000	NUT MUFFLER JOINT	1	1A1130005			
11	36LE47140000	GASKET MUFFLER JOINT	1	1L1130002			
12	958170801600	BOLT FLANGE	1	000002602			

**NOTE :-**

- 1) Requested to create the parts order in existing part no. i.e in 12 digit
- 2) Part numbers having no symbol in remarks column indicates its serviceability
- A) Part nos with symbol (Δ) are serviceable till stock
- B) Part nos with symbol (#) are not serviceable due to constraints

FIG. 7 CRANKCASE



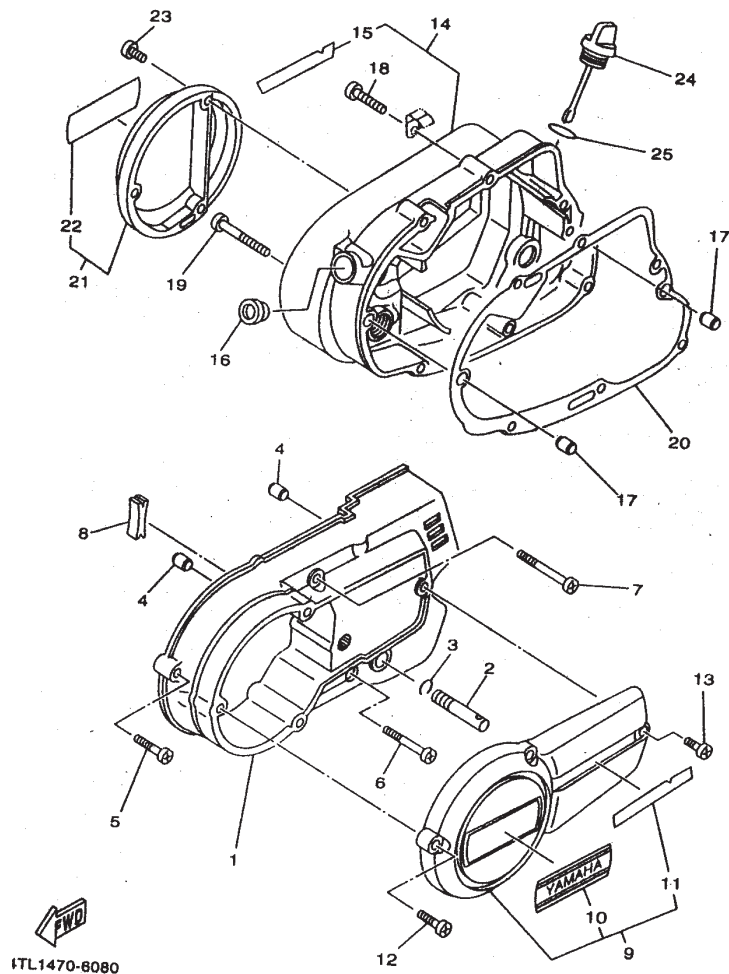
SJV1261-9070

NOTE :-

- 1) Requested to create the parts order in existing part no. i.e in 12 digit
- 2) Part numbers having no symbol in remarks column indicates its serviceability
- A) Part nos with symbol (Δ) are serviceable till stock
- B) Part nos with symbol (#) are not serviceable due to constraints

REF. NO.	EXISTING PART NO.	PART NAME	4TL1	9 DIGIT PART NO.	ESCORT 12 DIGIT	SUPERSEDED PART NO.	REMARKS
1	36LWE5150000	CRANKCASE SET	1	1L1661700		36LE51100000	
2	9850N0604500	SCREW PAN HEAD	6	000034231			
3	9850N0605500	SCREW PAN HEAD	2	000032214		985800655500	
4	9850N0606500	SCREW CHEESE HEAD	5	000034230			
5	918101480400	PIN DOWEL	1	1L1550001		995301011400	
6	995301401600	PIN DOWEL	1	1L1550002			
7	36LE51280000	HOLDER	1	1L1550003			
8	9850N0801000	SCREW CHEESE HEAD	1	000032414			
9	36LE53710000	BREA THER	1	1A1550005			
10	904460700900	HOSE	1	1L1550004			
11	903401200500	PLUG STRAIGHT SCREW	1	1L1550005			
12	904301220700	GASKET	1	1L1550006			

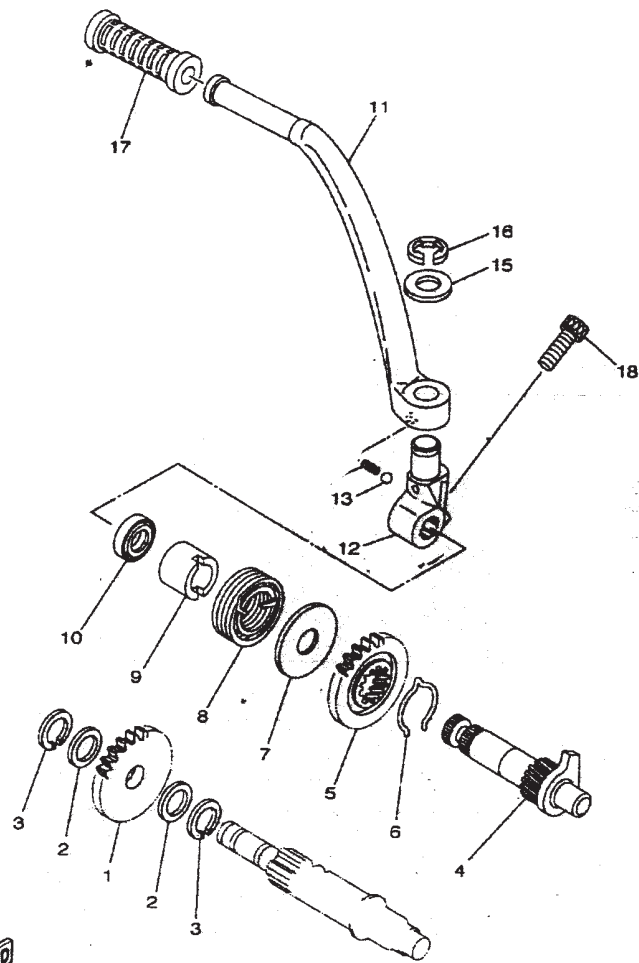
FIG. 8 CRANKCASE 1



REF. NO.	EXISTING PART NO.	PART NAME	4TL1	9 DIGIT PART NO.	ESCORT 12 DIGIT	SUPERSEDED PART NO.	REMARKS
1	36LE54110000	COVER CRANK CASE	1	1L1550007			
1	36LE54110000	COVER CRANK CASE	1	1L1550007			
2	36LE81880000	AXLE PAWL HOLDER	1	1L1600018			
3	934401102900	CIRCLIP	1	1L1600019			
4	918101480400	PIN DOWEL	2	1L1550001		995301011400	
5	9850N0603000	SCREW PAN HEAD	2	000034225		985800603000	
6	9850N0604500	SCREW PAN HEAD	1	000034228			
7	9850N0605500	SCREW PAN HEAD	1	000034229		985800655500	
8	36LE53570000	GROMMET	1	1L1550008			
9	36LE54210000	COVER CRANK CASE 2	1	1L1550400		36LWE5410000	
10	36LE54350000	EMBLEM	1	1L1550402			
11	36LE54430000	EMBLEM	1	1L1550403			
12	985170602500	SCREW PAN HEAD	3	000034224			Δ
13	9850N0601600	PAN HEAD SCREW (C)	1	000034222		985800601600	
14	36LE54210000	COVER CRANK CASE 2	1	1L1550501		36LWE5420000	
15	36LE54470000	EMBLEM	1	1L1550502			
16	903810880300	BUSH SOLID	1	1L1580022			#
17	918101480400	PIN DOWEL	2	1L1550001		995301011400	
18	978850603500	SCREW PAN HEAD	6	000034226			#
19	9850N0605500	SCREW PAN HEAD	1	000034229		985800655500	
20	36LE54510000	GASKET CRANK CASE COVER RH	1		1L1550009		
21	36LE54900000	PUMP COVER ASSY	1	1L1550600		36LWE5430000	
22	36LE54350000	EMBLEM	1	1L1550402			
23	901570680500	SCREW CROSS RESC	3	000034224		985170602500	
24	36LE53620000	PLUG OIL LEVEL	1	1L1550300			
25	932101980900	O RING	1	1L1550010			

NOTE :-

- 1) Requested to create the parts order in existing part no. i.e in 12 digit
- 2) Part numbers having no symbol in remarks column indicates its serviceability
- A) Part nos with symbol (Δ) are serviceable till stock
- B) Part nos with symbol (#) are not serviceable due to constraints



BL5684-A090

FIG. 9 STARTER

REF. NO.	EXISTING PART NO.	PART NAME	4TL1	9 DIGIT PART NO.	ESCORT 12 DIGIT	SUPERSEDED PART NO.	REMARKS
1	36LE56510000	GEAR SPROCKET IDLE	1	1L1610001			
2	902011582700	WASHER PLAIN	2	1L1610002			
3	934401580200	CIRCLIP	2	000016203			
4	5URE56610000	KICK AXLE ASSY	1	1L1610100			
5	36LE56410000	GEAR KICK	1	1L1610003			
6	904682604800	CLIP	1	1L1610004			
7	36LE56760000	COVER SPRING	1	1L1610005			
8	905082648400	SPRING TORSION	1	1L1610006			
9	36LE56660000	SPACER	1	1L1610007			
10	931011780700	OIL SEAL	1	1L1610008			
11	36LE56110000	CRANK KICK	1	1L1610201			
12	4TLE56210000	BOSS KICK CRANK	1	1L1610202		36LE56210000	
13	935073281900	BALL (SIZE-5.556MM)	1	000012108			
14	905011208100	SPRING COMPRESSION	1	1A1610015			
15	902011580900	WASHER PLAIN	1	1A1610017		90201153A100	
16	934301081100	CIRCLIP	1	000016310			
17	36LE56180000	COVER KICK LEVER	1	1A1610006			
18	913170802500	SCREW SOCKET HEAD	1	000032817			

NOTE :-

- 1) Requested to create the parts order in existing part no. i.e in 12 digit
- 2) Part numbers having no symbol in remarks column indicates its serviceability
- A) Part nos with symbol (Δ) are serviceable till stock
- B) Part nos with symbol (#) are not serviceable due to constraints

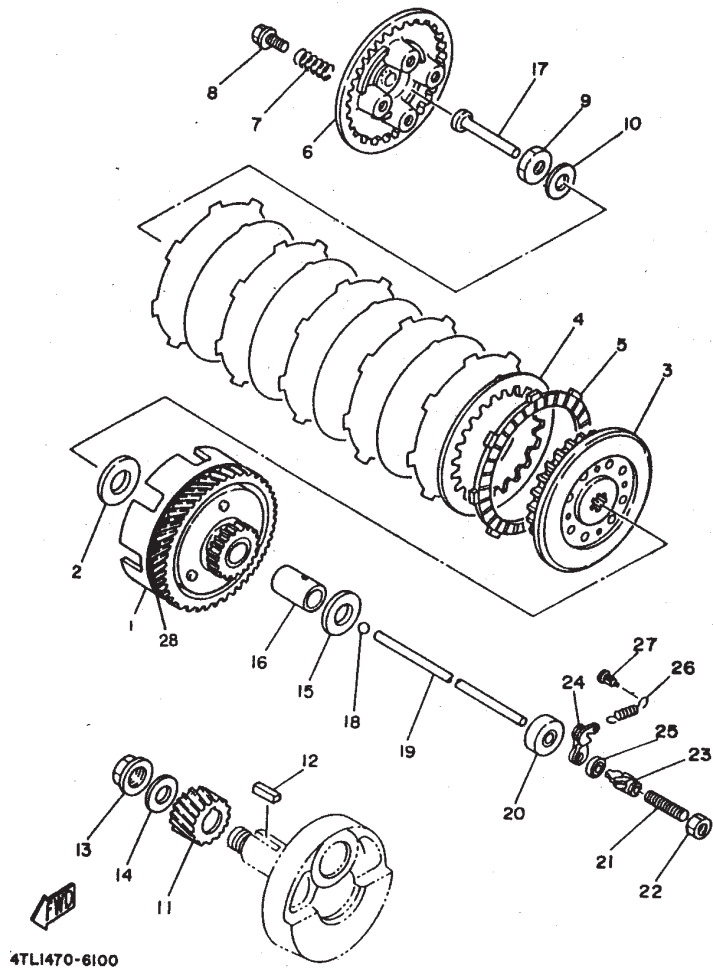


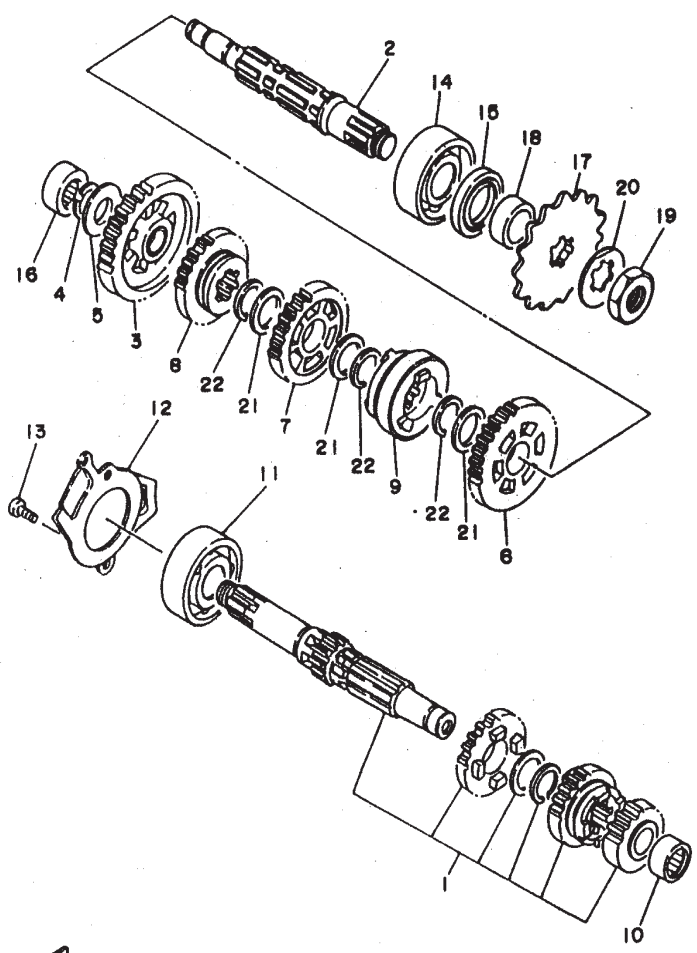
FIG.10 CLUTCH

REF. NO.	EXISTING PART NO.	PART NAME	4TL1	9 DIGIT PART NO.	ESCORT 12 DIGIT	SUPERSEDED PART NO.	REMARKS
1	2YAE61500000	DRIVEN GEAR ASSY	1	1L5570200		4TLE61500000	
2	36LE61540000	PLATE THRUST I	1	1L1570101			
3	2YAE63710000	BOSS CLUTCH	1	1M1570200			
4	5REE63240000	PLATE CLUTCH	5	1L1570103		36LE63240000	
5	5KAE63211000	PLATE, FRICTION	6	1L1570400		36LE63210000	
6	2YAE63510000	PLATE PRESSURE 1	1	1M1570102			
7	905012056800	SPRING COMPRESSION	4	1L1570105			
8	901190580100	BOLT WITH WASHER	4	000202258		901190502000	
9	901701206000	NUT HEXAGON	1	1L1570001			
10	902081201500	WASHER CONICAL SPRING	1	1L1570002			
11	401161110000	GE.PR.DRIVE RX	1	1L5570001		5L9161110100	
12	902820500500	KEY STRAIGHT	1	1L1570004			
13	901791280000	NUT	1	1L1570005		901791265900	
14	902081201500	WASHER CONICAL SPRING	1	1L1570002			
15	902011755800	WASHER PLATE	1	1L1570006			
16	905601714700	SPACER	1	1L1570007			
17	36LE63560000	ROD PUSH 1	1	1L1570008			
18	935031680700	BALL 3/16"(4.762MM)	1	000012101			
19	36LE63570000	ROD PUSH	1	1L1570009			
20	931090580400	OIL SEAL	1	1L1570010			
21	901130680200	BOLT SET	1	1M1570001			
22	953800660000	NUT	1	000004107			#
23	36LE63410000	SCREW PUSH	1	1L1570011			
24	36LE63420000	LEVER PUSH	1	1L1570500			
25	931041180600	OIL SEAL	1	1L1570012			
26	905061006900	SPRING TENSION	1	1A1570010			
27	36LE63460000	HOOK SPRING	1	1A1570011			

NOTE :-

- 1) Requested to create the parts order in existing part no. i.e in 12 digit
- 2) Part numbers having no symbol in remarks column indicates its serviceability
- A) Part nos with symbol (Δ) are serviceable till stock
- B) Part nos with symbol (#) are not serviceable due to constraints





4TL1470-6110

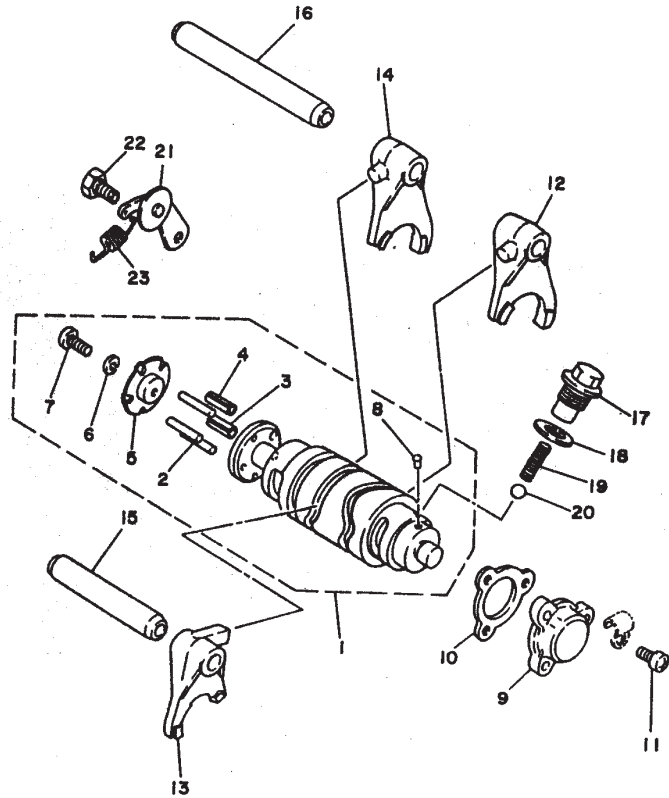
FIG.11 TRANSMISSION

REF. NO.	EXISTING PART NO.	PART NAME	4TL1	9 DIGIT PART NO.	ESCORT 12 DIGIT	SUPERSEDED PART NO.	REMARKS
1	36LXE7410000	AXLE MAIN ASSY	1	1L1580200			
2	36LE74210000	AXLE DRIVE	1	1L1580015			
3	36LE72110100	GEAR FIRST WHEEL	1	1L1580100			
4	934401580200	CIRCLIP	1	000016203			
5	902011582800	WASHER PLATE	1	1L1580016			
6	36LE72210000	GEAR SECOND WHEEL	1	1L1580017			
7	36LE72310000	GEAR THIRD WHEEL	1	1L1580018			
8	36LE72410000	GEAR 4TH Z23 WHEEL	1	1L1580019			
9	36LE72850000	CLUTCH DOG	1	1L1580007			
10	93311315Y000	BEARING	1	1L1580004			
11	93306303Y100	BEARING-6303 ZR	1	000013403			
12	36LE74710000	PLATE COVER	1	1L1580006			
13	985170601200	SCREW PAN HEAD	2	000034221			
14	93306304Y100	BEARING 6304	1	1L1580003			
15	931022680500	OIL SEAL	1	1L1580002			
16	93311315Y000	BEARING	1	1L1580004			
17	938221580800	SPROCKET DRIVE 15 TEETH	1	1L1580001		36LE74615000	
18	903872049100	COLLAR	1	1L1580008			
19	901791622600	NUT	1	1L1580009			
20	902151612700	WASHER TONGUED	1	1L1580020			
21	902012026600	WASHER PLAIN	2	1A1580010			
22	934102080900	CIRCLIP	2	1L1580014			

NOTE :-

- 1) Requested to create the parts order in existing part no. i.e in 12 digit
- 2) Part numbers having no symbol in remarks column indicates its serviceability
- A) Part nos with symbol (Δ) are serviceable till stock
- B) Part nos with symbol (#) are not serviceable due to constraints

FIG.12 SHIFT CAM,FORK

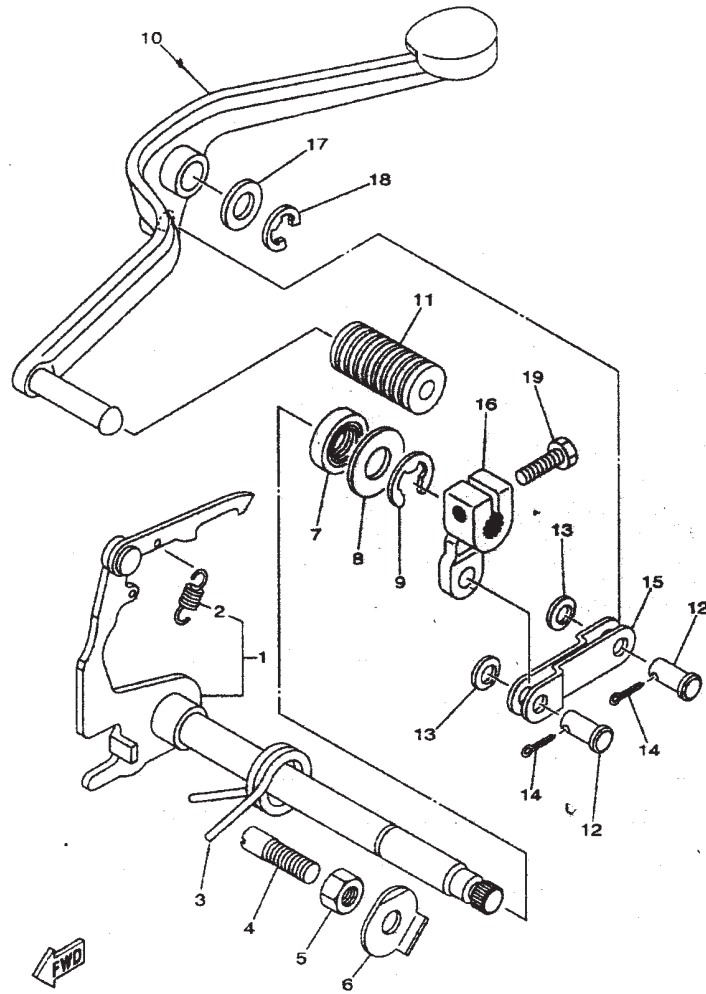


  
36L470-4120

REF. NO.	EXISTING PART NO.	PART NAME	4TL1	9 DIGIT PART NO.	ESCORT 12 DIGIT	SUPERSEDED PART NO.	REMARKS
1	36LE85400200	SHAFT CAM ASSY	1	1L1600100			
2	936042280600	PIN DOWEL	3	1A1600009			Δ
3	916095001600	PIN SPRING	1	000062109			#
4	916094001600	PIN SPRING	1	000062110			#
5	36LE85610000	PLATE SLIDE-I	1	1L1600102			
6	9290N0510000	SPRING WASHER 5.5	1	000005110		929070510000	
7	985170501200	SCREW WITH WASHER	1	000034216			
8	36LE85420000	POINT	1	1L1600103			
9	4TLE85890000	PLUG BLIND	1	1L1600001			
10	36LE85790000	GASKET	1	1L1600002			
11	985070601000	SCREW PAN HEAD	3	000034220		985170600800	
12	36LE85110000	FORK SHIFT 1	1	1L1600003		3M5185110100	
13	36LE85120000	FORK SHIFT-2	1	1L1600004		3M5185120000	
14	36LE85130000	FORK SHIFT-3	1	1L1600005		3M5185130000	
15	36LE85310000	BAR SHIFT FORK GUIDE	1	1L1600006			
16	36LE85350000	BAR SHIFT FORK GUIDE	1	1L1600007			
17	901091438500	BOLT	1	1L1600008			
18	36LE53530000	GASKET	1	1A1600026			
19	905011035300	SPRING COMPRESSION	1				
20	935051681400	BALL	1	000012103			Δ
21	36LE81400000	STOPPER LEVER ASSY	1	1L1600300			
22	901090680600	BOLT	1	1L1600015		901090600100	
23	905060980900	SPRING TENSION	1	1L1600016			

NOTE :-

- 1) Requested to create the parts order in existing part no. i.e in 12 digit
- 2) Part numbers having no symbol in remarks column indicates its serviceability
- A) Part nos with symbol (Δ) are serviceable till stock
- B) Part nos with symbol (#) are not serviceable due to constraints



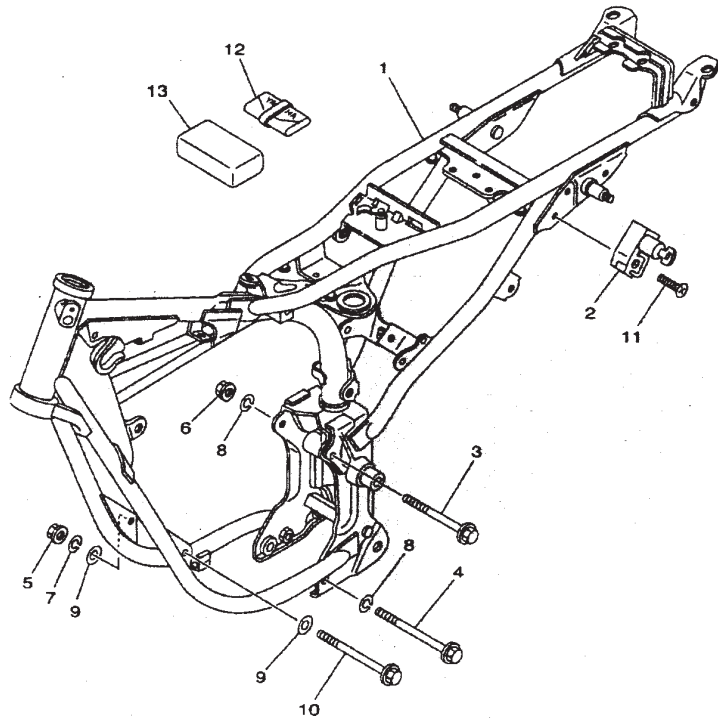
36L5664-A130

FIG.13 SHIFT SHAFT

REF. NO.	EXISTING PART NO.	PART NAME	4TL1	9 DIGIT PART NO.	ESCORT 12 DIGIT	SUPERSEDED PART NO.	REMARKS
1	36LXE8110000	SHIFT SHAFT SUB ASSY	1	1L1600200		36LE81010000	
2	905060881800	SPRING TENSION	1	1L1600205			
3	905083281100	SPRING TORSION	1	1L1600010			
4	901490809400	SCREW	1	1L1600011			
5	901700802900	NUT HEXAGON	1	1L1600020			
6	902150801400	WASHER TONGUED	1	1L1600012			
7	931091480300	OIL SEAL	1	1L1600013			
8	902011422000	WASHER, PLATE	1	1L1600014			Δ
9	934301282100	RETAINING RING	1	000016305		934301281200	
10	36LE81110000	PEDAL SHIFT	1	1L1600500			
11	36LE81130000	COVER SHIFT PEDAL	1	1A1600030			
12	902400805300	PIN W/HOLE	2	1L1600401			
13	902010808500	WASHER PLAIN	2	1L1600402			
14	914901602000	PIN SPLIT	2	000009116			
15	36LE81150000	ROD SHIFT	1	1L1600600			
16	36LE81120000	ARM SHIFT	1	1L1600700			
17	90201122H200	WASHER PLATE	1	1L1600017			
18	934301081100	CIRCLIP	1	000016310			
19	970170602000	BOLT HEX	1	000002106			Δ

NOTE :-

- 1) Requested to create the parts order in existing part no. i.e in 12 digit
- 2) Part numbers having no symbol in remarks column indicates its serviceability
- A) Part nos with symbol (Δ) are serviceable till stock
- B) Part nos with symbol (#) are not serviceable due to constraints



36L6664-B140

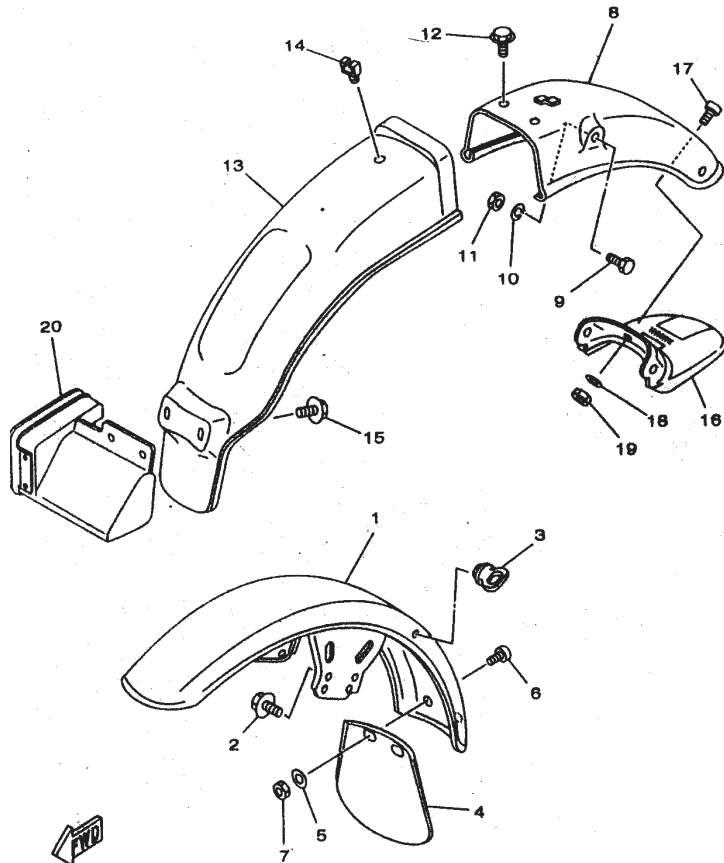
FIG. 14 FRAME

REF. NO.	EXISTING PART NO.	PART NAME	4TL1	9 DIGIT PART NO.	ESCORT 12 DIGIT	SUPERSEDED PART NO.	REMARKS
1	4TLF11100100	FRAME COMP.	1	1L1010100		36LF11100000	
1	4TLF11100100	FRAME COMP.36L4,4TL1,4TL4	1	1L5010100		4TLF11100000	
2	901050809900	BOLT WASHER BASED	1	1L1010002			
3	901051008900	HEX BOLT WASHER BASED	1	1L1010004		901051084900	
4	901051004000	HEX BOLT WASHER BASED	1	1L1010005			
5	957070850000	NUT FLANGE	1	1L1010006			
6	9570N1050000	NUT FLANGE	1	1L1010007		957071050000	
7	929070810000	SPRING WASHER	1	000005106			Δ
8	9290N1010000	SPRING WASHER	2	000005107		929071010000	
9	929090805000	WASHER	2	1L1010003		902090805000	
10	36LF81001000	TOOL KIT(RX & G)	1	1L1150100		36LF81000000	
11	36LH5110V000	REFLEX REFLECTOR FRONT	2	1A1013300			
12	9570N0550000	NUT	2	000004405		957070530000	
13	36LF81870000	GROMMET	1	1L2150205			

NOTE :-

- 1) Requested to create the parts order in existing part no. i.e in 12 digit
- 2) Part numbers having no symbol in remarks column indicates its serviceability
- A) Part nos with symbol (Δ) are serviceable till stock
- B) Part nos with symbol (#) are not serviceable due to constraints

FIG. 15 FENDER



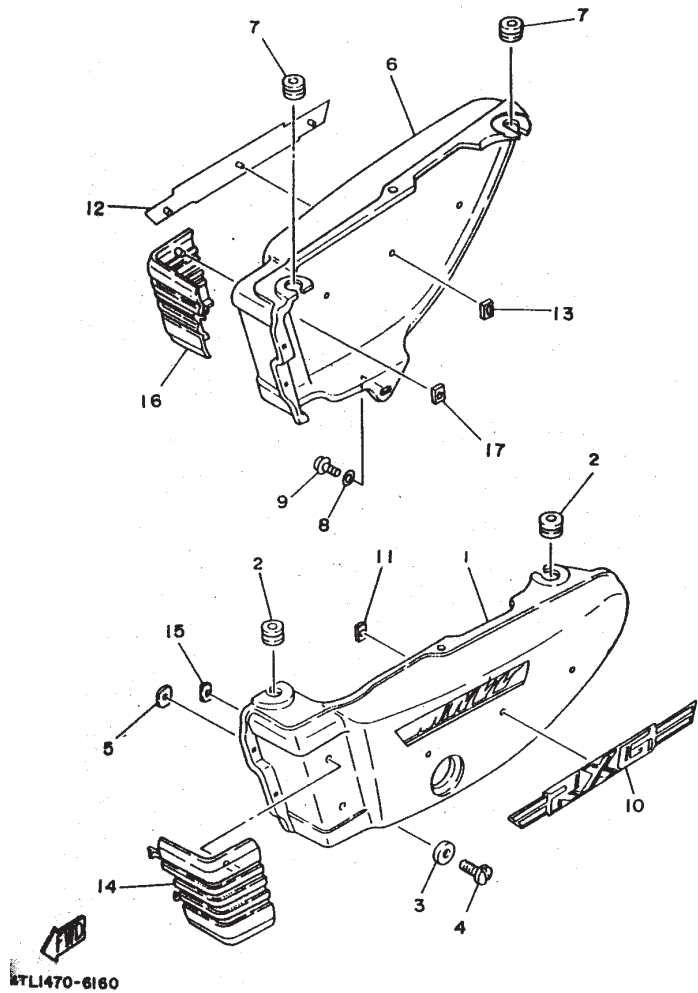
4TL1470-8150

REF. NO.	EXISTING PART NO.	PART NAME	4TL1	9 DIGIT PART NO.	ESCORT 12 DIGIT	SUPERSEDED PART NO.	REMARKS
1	5KAF15100100	FRONT FENDER COMP.	1	1L1080100		36LF15101000	
2	9580N0601600	BOLT FLANGE	4	000002601		958070601600	
3	36LF15180000	HOLDER WIRE	1	1A1080001			
4	36LF15210000	FLAP	1	1L1080001			
5	902010572500	WASHER PLAIN	2	000006406			
6	9760N0521200	PAN HEAD SCREW	2	000234216		976070521200	
7	9530M0560000	NUT HEX	2	000004105		953070560000	Δ
8	36LF16100093	REAR FENDER COMP.	1	1L1090100		36LF16101000	
9	9700N0802000	HEX BOLT	2	000002257		970170802000	
10	929070810000	SPRING WASHER	2	000005106			Δ
11	9530N0860000	NUT HEX	2	00004109			
12	958170601200	BOLT FLANGE	2	000002605			
13	36LF16290000	GUARD MUD FRONT	1	1L1090002			
14	904640802000	CLAMP	1	1L1090003			
15	901190610800	BOLT WITH WASHER	2	1L1090200		901190605600	
16	36LF16210100	FLAP	1	1L1090001			
17	9760N0521600	SCREW PAN HEAD	3	000034218		976070521600	
18	902010503600	WASHER	3	1L1090004			
19	9530M0560000	NUT HEX	3	000004105		953070560000	Δ
20	4TLF81730000	TOOL BOX	1	1L2050200		36LF81730000	

NOTE :-

- 1) Requested to create the parts order in existing part no. i.e in 12 digit
- 2) Part numbers having no symbol in remarks column indicates its serviceability
- A) Part nos with symbol (Δ) are serviceable till stock
- B) Part nos with symbol (#) are not serviceable due to constraints

FIG. 16 SIDE COVER

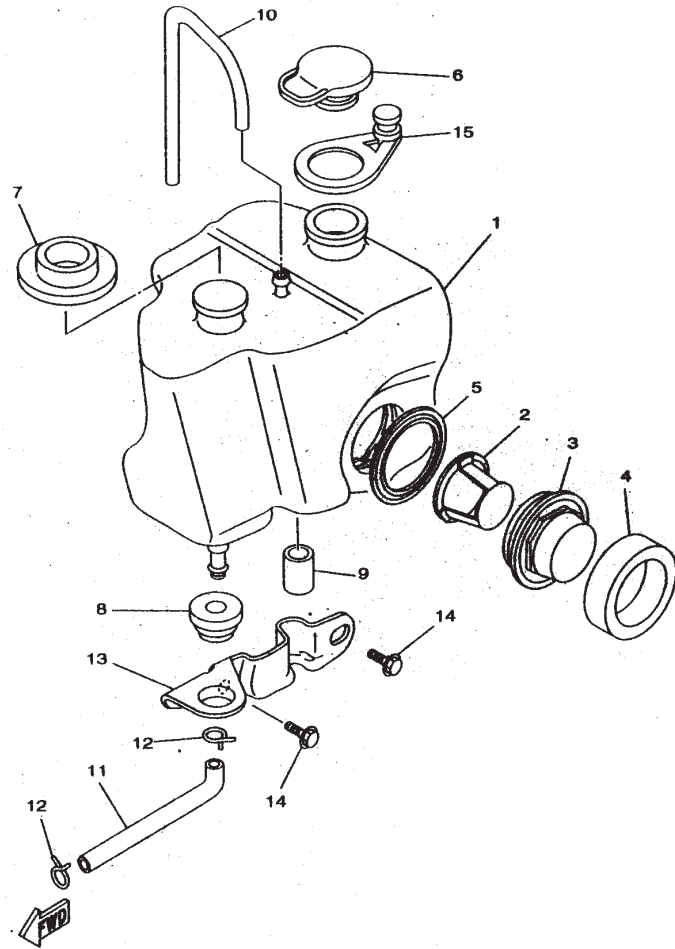


REF. NO.	EXISTING PART NO.	PART NAME	4TL1	9 DIGIT PART NO.	ESCORT 12 DIGIT	SUPERSEDED PART NO.	REMARKS
1	36LF171101H6	SIDE COVER-1LH(MAROON)	1	1L5100100			
	4TLF17107000	SIDE COVER L.H (VRC)	2	1L5100100		4TLF1710709V	
	4TLF171070H9	COVERL L.H RXG BLACK	1	1L5100100			
2	904801205300	GROMMET	1	1L1100104			
3	90201065F300	WASHER PLAIN	1	1L1100001			#
4	901460600900	SCREW SLOTTED	1	1L1100002			
5	901790626400	NUT	1	1L1100003			
6	4TLF172070H6	COVER R.H.RXG MAROON	1	1L5100200			#
	4TLF17207000	SIDE COVER R.H (VRC)	1	1L5100200			
	4TLF172070H9	COVER R.H.RXG BLACK	1	1L5100200			
7	904801205300	GROMMET	2	1L1140003			
8	90201065F300	WASHER PLAIN	1	1L1100001			#
9	9850N0601600	PAN HEAD SCREW (C)	1	000032712		985070601600	
10	4TLF17810000	EMBLEM 1 RX-135	1	1L5100001			#
11	901830404700	NUT SPRING	3	1L1100103		901830400500	
12	4TLF17821000	EMBLEM 2 - RX-135	1	1L5100002			#
13	901830404700	NUT SPRING	3	1L1100103		901830400500	
14	36LF17830000	EMBLEM 3 LH	1	1L1100104			
15	901830601800	NUT SPRING	2	1L1100105			
16	36LF17840000	EMBLEM 4 RH	1	1L1100203			
17	901830601800	NUT SPRING	2	1L1100105			

NOTE :-

- 1) Requested to create the parts order in existing part no. i.e in 12 digit
- 2) Part numbers having no symbol in remarks column indicates its serviceability
- A) Part nos with symbol (Δ) are serviceable till stock
- B) Part nos with symbol (#) are not serviceable due to constraints

FIG. 17 OIL TANK



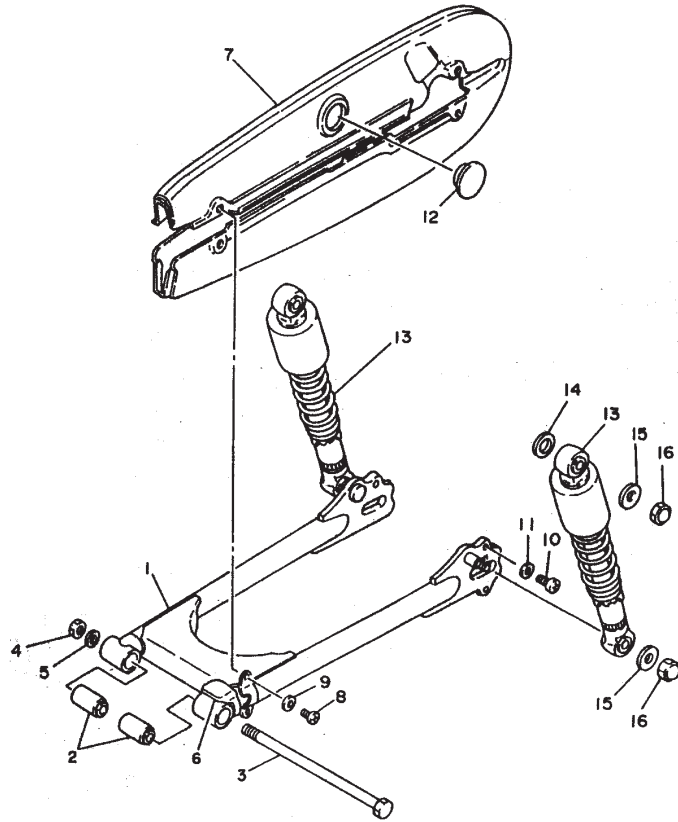
4TL1470-8170

**NOTE :-**

- 1) Requested to create the parts order in existing part no. i.e in 12 digit
- 2) Part numbers having no symbol in remarks column indicates its serviceability
- A) Part nos with symbol (Δ) are serviceable till stock
- B) Part nos with symbol (#) are not serviceable due to constraints

REF. NO.	EXISTING PART NO.	PART NAME	4TL1	9 DIGIT PART NO.	ESCORT 12 DIGIT	SUPERSEDED PART NO.	REMARKS
1	36LF17510000	TANK OIL	1	1L2230101		36LF17511000	
2	36LF176A0000	REFELECTOR LEVEL GAUGE	1	1L2230200			
3	36LF17640000	LENS LEVEL GAUGE	1	1L1230102			
4	4TLF17470000	DAMPER(OIL GAUGE)	1	1L5230001			#
5	36LF17630000	GASKET LEVEL GAUGE	1	1L1230103			
6	36LF17710000	BODY CAP	1	1L1230006			
7	903852402800	BUSH	1	1L1230002			
8	904801817100	GROMMET	1	1L1230003			
9	903850802900	BUSH	1	1L1230004			
10	36LF17450000	PIPE OIL TANK BREATHER	1	1L1230005			
11	904450910700	HOSE	1	1L1630006			
12	904670800300	CLIP OIL PIPE	2	1A1230004			
13	36LF11550000	BRACKET OIL TANK	1	1L1230300			
14	958170601200	BOLT FLANGE	2	000002605			
15	36LF17760000	BAND FITTING TANK	1	1L1230001			

FIG. 18 REAR ARM, SUSPENSION



36L470-4180

NOTE :-

- 1) Requested to create the parts order in existing part no. i.e in 12 digit
- 2) Part numbers having no symbol in remarks column indicates its serviceability
- A) Part nos with symbol (Δ) are serviceable till stock
- B) Part nos with symbol (#) are not serviceable due to constraints

REF. NO.	EXISTING PART NO.	PART NAME	4TL1	9 DIGIT PART NO.	ESCORT 12 DIGIT	SUPERSEDED PART NO.	REMARKS
1	36LF21101000	REAR ARM WELDED	1	1M1220100		1M1220100X00	
2	36LF21230000	BUSH	2	1L1220200			
3	36LF21410100	SHAFT PIVOT	1	1L1220001			
4	901701206500	NUT HEX	1	1L1220003			
5	9290N1220000	WASHER	1	000006107		929071220000	
6	36LF21510000	SEAL GUARD	1	1L1220002			
7	4TLF23100200	CHAIN CASE ASSY	1	1L1060100		36LF23102000	
8	985170601200	SCREW PAN HEAD	2	000234222			
9	929070660000	WASHER	2	000005105			
10	9850N0601600	PAN HEAD SCREW (C)	2	000234222		985070601600	
11	929070660000	WASHER	2	000205105			
12	36LF23150000	CAP	1	1L1060001			
13	36LF22100100	SHOCK ABS REAR ASSY	2	1L1210100		36LF22100000	
14	902011421800	WASHER SPECIAL	2	1A1090003			#
15	90201106F200	WASHER	4	111030001			
16	901761007300	DOMED CAP NUT	4	000004604			



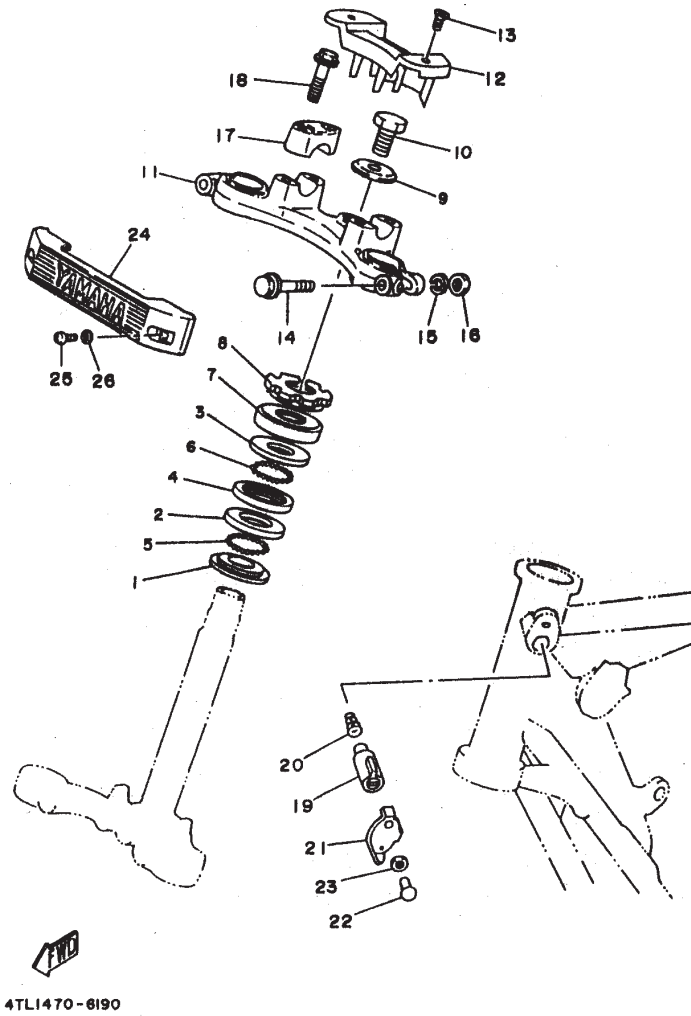


FIG. 19 STEERING

REF. NO.	EXISTING PART NO.	PART NAME	4TL1	9 DIGIT PART NO.	ESCORT 12 DIGIT	SUPERSEDED PART NO.	REMARKS
1	36LF34110000	RACE BALL LOWER BOTTOM	1	139030601			
2	36LF34120000	RACE BALL UPPER BOTTOM	1	139030004			
3	36LF34111000	RACE BALL 1	1	1L1020001			
4	36LF34121000	RACE BALL 2	1	1L1020002			
5	935010480500	BALL (C)-(SIZE-6.350MM)	19	000012102			
6	935031680700	BALL 3/16"(4.762MM)	22	000012101		935031680600	
7	5YYF34160000	COVER, BALL RACE 2	1	1L1020003		36LF34160000	
8	901792503300	FORK STEM NUT	1	1A1020008			
9	902091080500	WASHER	1	1L1020004		902091022400	
10	901011080200	BOLT	1	000002401		901051000600	
11	36LF34350000	CROWN HANDLE	1	1L1020005			
12	36LF34370000	COVER CROWN	1	1L2020001			#
13	987070401200	SCREW	2	000034105			#
14	958170805000	BOLT FLANGE	2	000002604			
15	9290N0810000	SPRING WASHER	2	000005106		929070810000	
16	953370860000	NUT	2	000004109			#
17	36LF34411000	HANDLE HOLDER UPPER	2	1L2020002			
18	958170803000	BOLT FLANGE	4	000002603			
19	36LF34800000	STEERING LOCK ASSY	1	1L1021500		36LF3480V100	
20	905020902400	SPRING CONICAL	1	1L1020007			
21	36LF34840000	CAP HANDLE	1	123240001			
22	902690400300	RIVET ROUND	1	000034002			
23	902080402900	WASHER CONICAL	1	1L1020009			
24	36LF33950000	EMBLEM FRONT	1	1L1020010			
25	9850N0501000	SCREW PAN HEAD	2	000034215		000034215X00	
26	929060520000	WASHER PLAIN	2	1L1020011			

NOTE :-

- 1) Requested to create the parts order in existing part no. i.e in 12 digit
- 2) Part numbers having no symbol in remarks column indicates its serviceability
- A) Part nos with symbol (Δ) are serviceable till stock
- B) Part nos with symbol (#) are not serviceable due to constraints

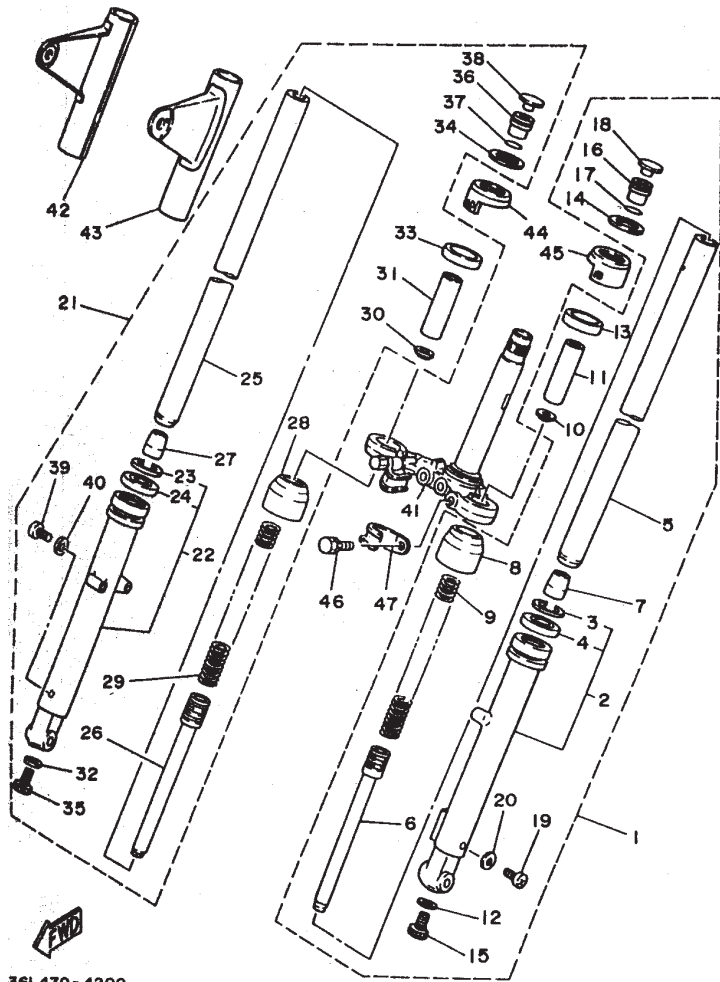
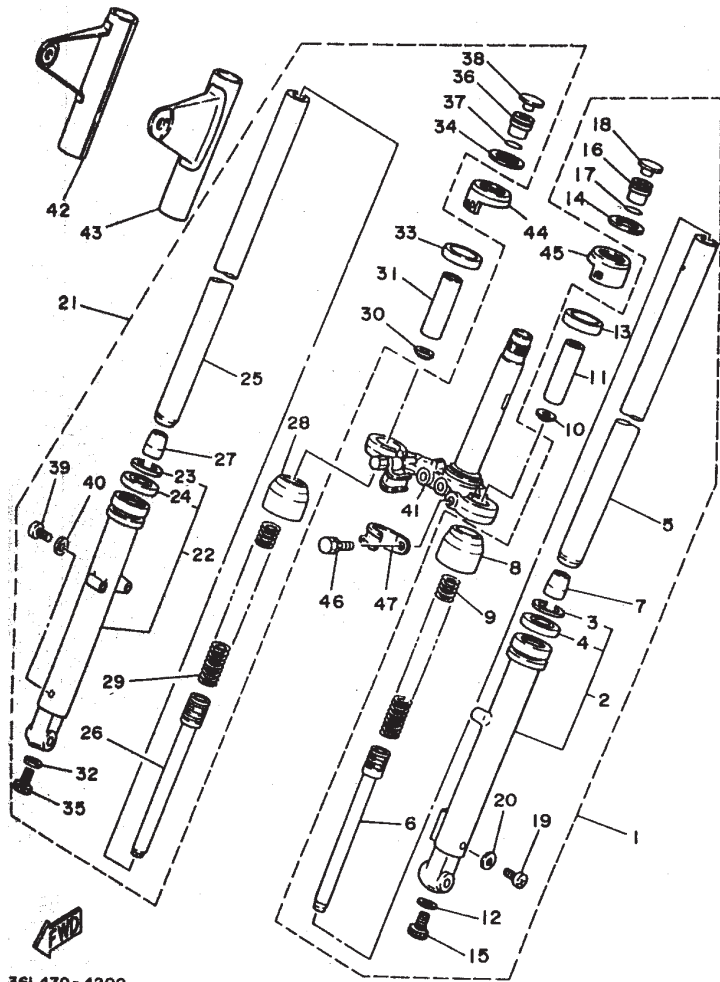


FIG. 20 FRONT FORK

REF. NO.	EXISTING PART NO.	PART NAME	4TL1	9 DIGIT PART NO.	ESCORT 12 DIGIT	SUPERSEDED PART NO.	REMARKS
1	36LF31020100	FR.FORK LEGASY LH	1	1L1020300		36LF31020000	
2	36LF31060000	OUTER TUBE COMP LH	1	1L1020400			
3	4LSF31530000	RING SNAP	1	1L1020401		36LF31560000	
4	36LF31450000	OIL SEAL -TFF	1	1L1020402			
5	36LF31100000	INNER TUBE COMPLETE	1	1L1020500			
6	36LF31700000	CYLINDER COMPLETE	1	1L1020600			
7	36LF31730000	SPINDLE TAPER	1	130020503			
8	36LF31440000	DUST SEAL	1	130020502			
9	36LF31411000	SPRING SUB	1	1L1020303		36LF31410000	
10	36LF31460000	GUIDE SPRING	1	130020504			
11	36LF31180000	SPACER	1	1L1020305			
12	36LF31580000	PACKING	1	1A1020706		36LF3158L000	
13	36LF31630000	GASKET PACKING COVER UPPER	1		1L1020301		
14	36LF31160000	COVER GUIDE ( SEAT 2 )	1	1L1020302			
15	36LF31810000	BOLT HEX SOCKET HEAD	1	1L1020304			
16	36LF31110000	PLUG	1	130020507			
17	36LF31140000	O'RING	1	130020506			
18	36LF31680000	CAP	1	130020508			
19	36LF31190100	PLUG, DRAIN	1	1L1020306		36LF31190000	
20	36LF31580000	PACKING	1	130020501		36LF31290000	
21	36LF31030100	FRONT FORK ASSY RH	1	1L1020700		36LF31030000	
22	36LF31070000	OUTER TUBE RH—36L0	1	1L1020800			
23	4LSF31530000	RING SNAP	1	1L1020401		36LF31560000	
24	36LF31450000	OIL SEAL -TFF	1	1L1020402			
25	36LF31100000	INNER TUBE COMPLETE	1	1L1020500			
26	36LF31700000	CYLINDER COMPLETE	1	1L1020600			
27	36LF31730000	SPINDLE TAPER	1	130020503			
28	36LF31440000	DUST SEAL	1	130020502			

NOTE :-

- 1) Requested to create the parts order in existing part no. i.e in 12 digit
- 2) Part numbers having no symbol in remarks column indicates its serviceability
- A) Part nos with symbol (Δ) are serviceable till stock
- B) Part nos with symbol (#) are not serviceable due to constraints



36L470-4200

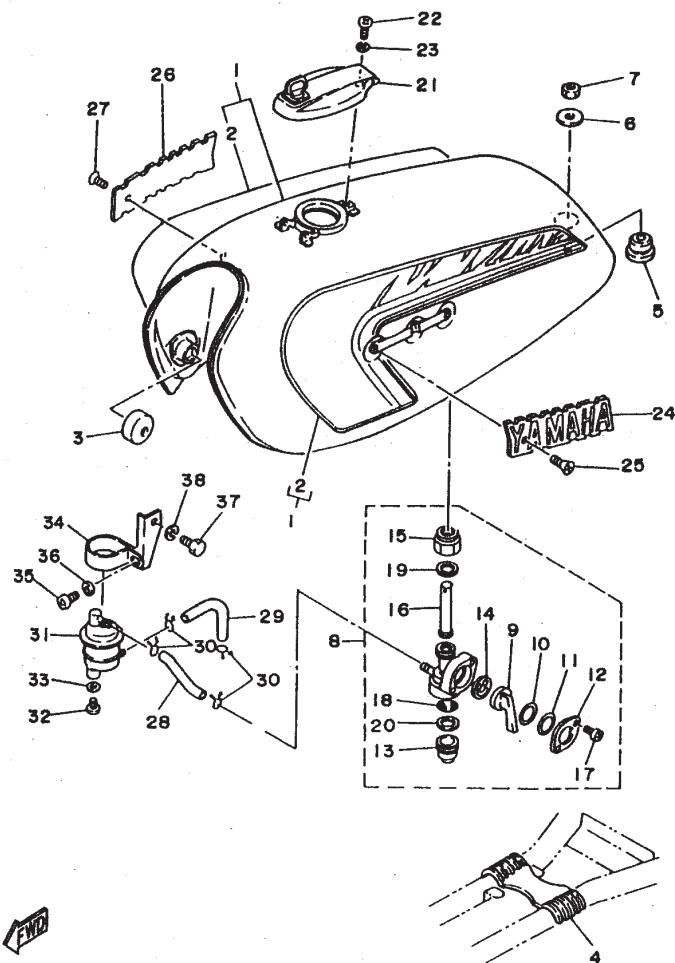
FIG. 20 FRONT FORK

REF. NO.	EXISTING PART NO.	PART NAME	4TL1	9 DIGIT PART NO.	ESCORT 12 DIGIT	SUPERSEDED PART NO.	REMARKS
29	36LF31411000	SPRING SUB	1	1L1020303		36LF31410000	
30	36LF31460000	GUIDE SPRING	1	130020504			
31	36LF31180000	SPACER	1	1L1020305			
32	36LF31580000	PACKING	1	1A1020706		36LF3158L000	
33	36LF31630000	GASKET PACKING COVER UPPER	1		1L1020301		
34	36LF31160000	COVER GUIDE ( SEAT 2 )	1	1L1020302			
35	36LF31810000	BOLT HEX SOCKET HEAD	1	1L1020304			
36	36LF31110000	PLUG	1	130020507			
37	36LF31140000	O'RING	1	130020506			
38	36LF31680000	CAP	1	130020508			
39	36LF31190100	PLUG, DRAIN	1	1L1020306		36LF31190000	
40	36LF31580000	PACKING	1	130020501		36LF31290000	
41	36LF33400000	UNDER BRACKET	1	1L1022000			
42	36LF31310000	COVER UPPER 2-STAY-(RH)	1	1L1021400			
43	36LF31210000	COVER UPPER 1-STAY-(LH)	1	1L1021300			
44	36LF31320000	COVER OUTER 2 (RH)	1	1L1021200			
45	36LF31220000	COVER OUTER 1(LH)	1	1L1021100			
46	36LF33460100	BOLT WITH SPRING WASHER	2	1L1020201			
47	36LF33184000	HOLDER CABLE	1	1L1020202			#

NOTE :-

- 1) Requested to create the parts order in existing part no. i.e in 12 digit
- 2) Part numbers having no symbol in remarks column indicates its serviceability
- A) Part nos with symbol (Δ) are serviceable till stock
- B) Part nos with symbol (#) are not serviceable due to constraints

FIG. 21 FUEL TANK



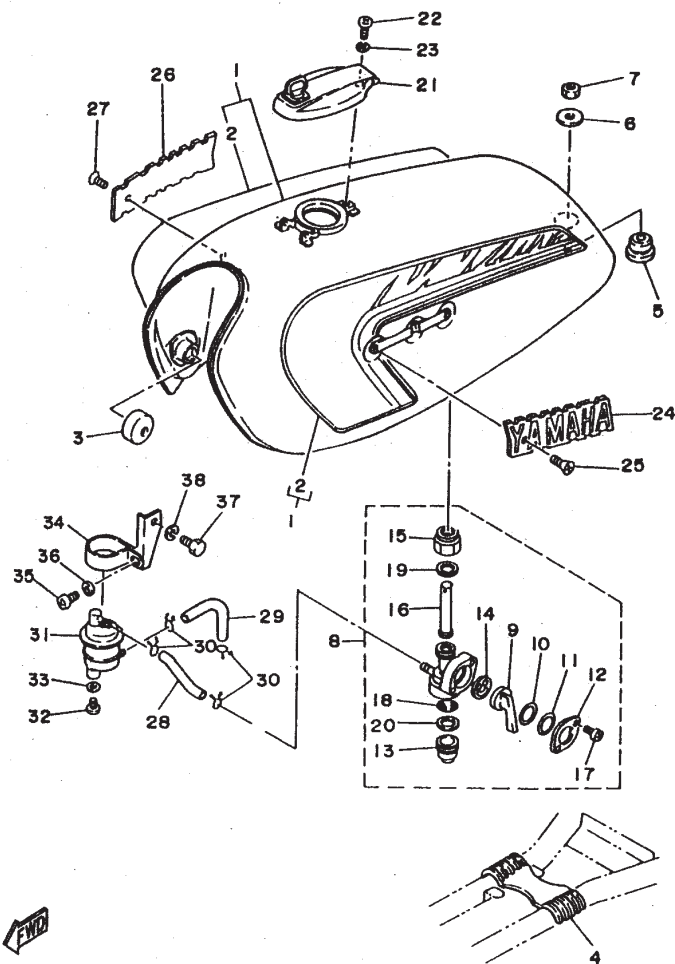
4TL1470-6210

REF. NO.	EXISTING PART NO.	PART NAME	4TL1	9 DIGIT PART NO.	ESCORT 12 DIGIT	SUPERSEDED PART NO.	REMARKS
1	4TLF4100019V	FUEL TANK R.X.G(BLUE)	1	1L5070100			
	4TLF410001H6	FUEL TANK R.X.G(MAROON)	1	1L5070100			
	4TLF410001H9	F.TANK R.X.G.(BLACK)	1	1L5070100			
2	4TLF42400000	GRAPHIC SET ( MAROON )	1	1L5070101/02			#
	4TLF42401000	GRAPHIC SET ( BLACK )	1	1L5070105/06			#
	4TLF42402000	GRAPHIC SET ( BLUE )	1	1L5070103/04			#
3	36LF41810000	DAMPER LOCATION 1	2	1L1070001			
4	36LF41820000	DAMPER LOCATING 2	1	1L1070002			
5	904802518900	GROMMET	1	1L1070003			
6	902010861200	WASHER SPECIAL	1	1L1070004			
7	9530N0860000	NUT HEX	1	000004109			
8	36LF45000200	FUEL COCK	1	1L1071200		36LF45000100	
9	36LF45240000	LEVER	1	1L1071202			
10	36LF45760000	WASHER SPL.	1	1L1071208			Δ
11	36LF45180000	WAVE WASHER	1	1L1071207			
12	36LF45250000	COVER PLATE	1	1L1071209			
13	36LF45210000	BOWL	1	1L1071203			Δ
14	36LF45230000	SEAL DISTBURTOR	1	1L1071204			
15	36LF45310000	T NUT	1	1L1070408			Δ
16	36LF45600000	FILTER ASSY	1	1L1071300			
17	985070300800	SCREW PAN HEAD	2	000034206		36LF45350000	#
18	36LF45150000	FILTER FUEL COCK	1	1L1071205			Δ
19	36LF45320100	T-PACKING	1	1L1070409		36LF45320000	
20	36LF4522V000	WASHER	1	1L1071206	1L1071206X00		Δ
21	36LF4650V100	CAP ASSY FUEL TANK	1	1L1070600			
22	9760N0520800	SCREW TAPPING	1	000032707			#
23	929070560000	WASHER	1	000005110			

NOTE :-

- 1) Requested to create the parts order in existing part no. i.e in 12 digit
- 2) Part numbers having no symbol in remarks column indicates its serviceability
- A) Part nos with symbol (Δ) are serviceable till stock
- B) Part nos with symbol (#) are not serviceable due to constraints

FIG. 21 FUEL TANK



4TL1470-6210

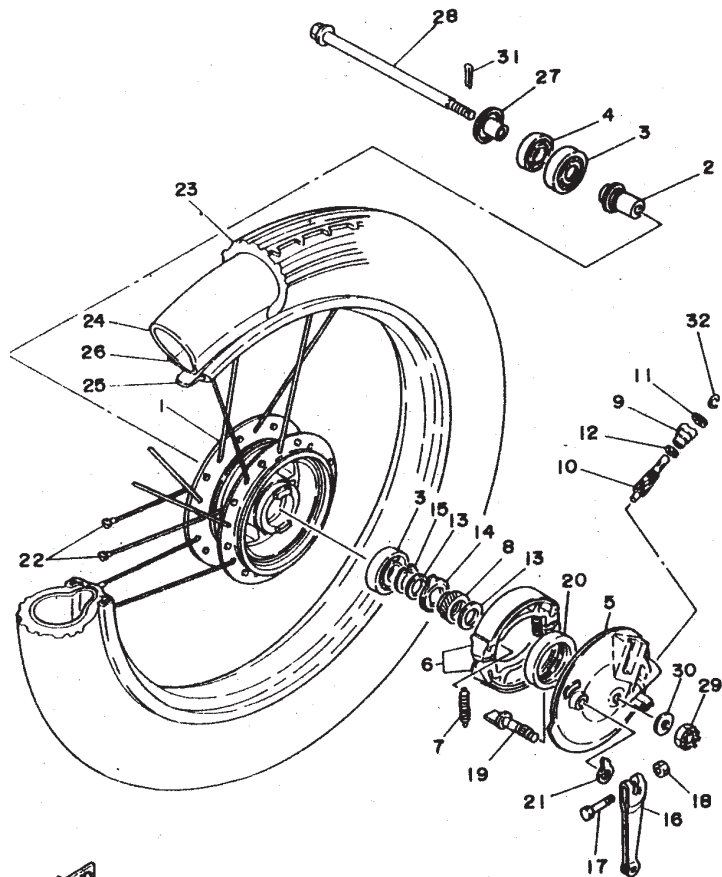
NOTE :-

- 1) Requested to create the parts order in existing part no. i.e in 12 digit
- 2) Part numbers having no symbol in remarks column indicates its serviceability
- A) Part nos with symbol (Δ) are serviceable till stock
- B) Part nos with symbol (#) are not serviceable due to constraints

REF. NO.	EXISTING PART NO.	PART NAME	4TL1	9 DIGIT PART NO.	ESCORT 12 DIGIT	SUPERSEDED PART NO.	REMARKS
24	36LF41621000	EMBLEM 2	1	1L1070005		36LF41611000	
25	901520400600	SCREW PAN HEAD	2	1L1070010			
26	36LF41621000	EMBLEM 2	1	1L1070006			
27	901520400600	SCREW PAN HEAD	2	1L1070010			
28	904450905900	HOSE	1	1M1070010		904450926400	
29	904450905900	HOSE	1	1L1070008			
30	904670800300	CLIP OIL PIPE	4	1A1230004			
31	36LF45600100	FILTER ASSY	1	1L1070800			
32	9850N0501000	SCREW PAN HEAD	1	000034215		989070501000	
33	902020480100	WASHER	1	1L1070009			
34	2YAF45680000	BAND FILTER	1	1M1070300			
35	9850N0501000	SCREW PAN HEAD	1	000232702		985070501000	
36	929070560000	WASHER	1	000006406			
37	9700N0601200	BOLT	1	000002205			
38	9290N0610000	WASHER, SPRING	1	000009105			Δ



FIG. 23 FRONT WHEEL



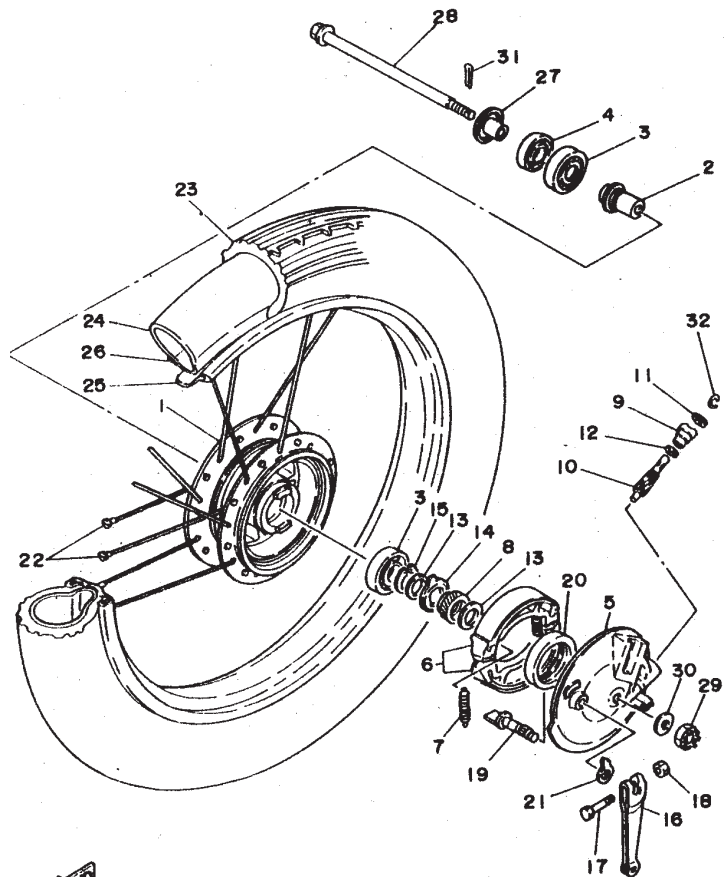
4TL1470-6230

NOTE :-

- 1) Requested to create the parts order in existing part no. i.e in 12 digit
- 2) Part numbers having no symbol in remarks column indicates its serviceability
- A) Part nos with symbol (Δ) are serviceable till stock
- B) Part nos with symbol (#) are not serviceable due to constraints

REF. NO.	EXISTING PART NO.	PART NAME	4TL1	9 DIGIT PART NO.	ESCORT 12 DIGIT	SUPERSEDED PART NO.	REMARKS
1	5TRF51110000	FRONT HUB	1	1L1040200		36LF51111000	
2	905601281400	SPACER ASSY	1	1L1040300		36LWF5120000	
3	93306301Y300	BEARING	2	1L1040102			Δ
4	931021880200	SEAL OIL	1	1L1040101			
5	36LF51211000	PLATE BRAKE SHOE ASSY	1	1L1040500			Δ
6	36LWF5360000	BRAKE SHOE KIT	1	1L1662500			
7	905061480100	SPRING BRAKE SHOE	2	1L1050404			
8	36LF51351100	GEAR DRIVE MOULDED	1	1L1040700		36LF51350000	#
9	36LF51360000	BUSH	1	1L1040402			
10	36LF51381100	GEAR METER (MOULDED)	1	1L1040800		36LF51380000	#
11	931040780400	OIL SEAL	1	000014116			
12	902010707600	WASHER PLAIN	1	1L1040404			
13	902012026900	WASHER	2	1L1040405			
14	36LF51490000	CLUTCH METER	1	1L1040406			
15	934102080800	CIRCLIP	1	000016201			
16	36LF51550000	LEVER CAM SHAFT	1	1L1040407			
17	901010681400	BOLT	1	000002255		901010627800	Δ
18	953170660000	NUT	1	000004107			
19	36LF53510000	CAM SHAFT	1	1L1050401			
20	931054780100	SEAL OIL	1	1L1040408			
21	36LF513A0000	PLATE INDICATOR	1	1L1040409			
22	36LF53040100	SPOKE SET WITH NIPPLES	1	1L1662400			#
23	941251883800	TYRE 2.50X18	1	000035105			#
24	942251882300	TUBE FRONT 2.50/2.75	1	000036106			#
25	943251882200	BAMD RIM	1	1L1050011			
26	944161880000	RIM	1	1L1050003		944141883200	
27	36LF511X0000	COVER ASSY	1	1L1040600		36LWF5180000	
28	36LF51810000	AXLE WHEEL FRONT	1	1L1040001			

FIG. 23 FRONT WHEEL



4TL1470-6230

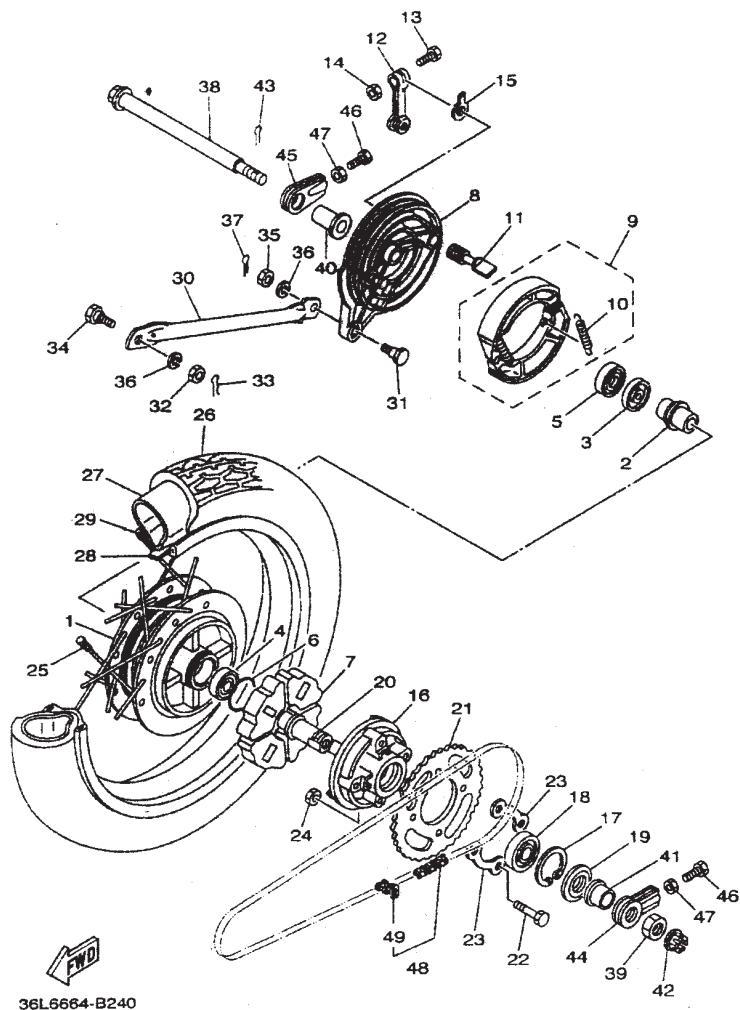
**NOTE :-**

- 1) Requested to create the parts order in existing part no. i.e in 12 digit
- 2) Part numbers having no symbol in remarks column indicates its serviceability
- A) Part nos with symbol (Δ) are serviceable till stock
- B) Part nos with symbol (#) are not serviceable due to constraints

REF. NO.	EXISTING PART NO.	PART NAME	4TL1	9 DIGIT PART NO.	ESCORT 12 DIGIT	SUPERSEDED PART NO.	REMARKS
29	901711000400	NUT CASTLE	1	1L1040002			
30	9290N1020000	WASHER, SPRING	1	000006113		929071020000	
31	914012002000	PIN SPLIT (C)	1	000009117		914902002500	
32	36LF51370000	RING STOP	1	1L1040003			
33	5USF53950000	NIPPLE SPOKE (NEW)		5SF539500		5UCF53950000	
34	5USF51960000	SPOKE 1		5SF539600			
35	5USF51970000	SPOKE 2		5SF539700			
	4TLWF5130000	SPEEDO GEAR KIT		4LWF51300			
-----							
-----							
-----							
-----							
-----							
-----							
-----							



FIG. 24 REAR WHEEL

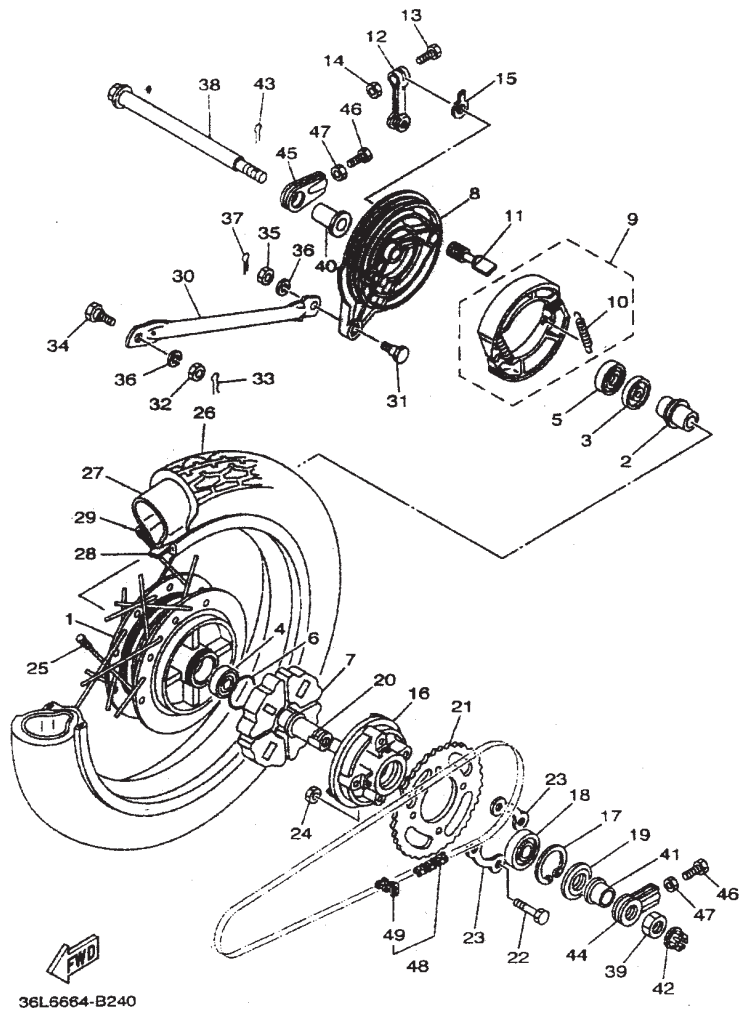


REF. NO.	EXISTING PART NO.	PART NAME	4TL1	9 DIGIT PART NO.	ESCORT 12 DIGIT	SUPERSEDED PART NO.	REMARKS
1	5TRF53110000	HUB REAR	1	1L1050200		36LF53111000	
2	905601281400	SPACER ASSY	1	1L1050300		36LWF5121000	
3	93306202Y000	BEARING	1	000013101			Δ
4	93306202Y100	BEARING	1	000013401			Δ
5	931062282000	OIL SEAL	1	1L1050101		931042280500	
6	932104280700	ORING	1	1L1050103			
7	36LF53640000	DAMPER CLUTCH	1	1L1050102			
8	36LF53211135	PLATE, BRAKE SHOE	1	1L1050500		36LF53211000	
9	36LWF5360000	BRAKE SHOE KIT	1	1L1662500			
10	905061480100	SPRING BRAKE SHOE	1	1L1050404			
11	36LF53510000	CAM SHAFT	1	1L1050401			
12	36LF53550000	LEVER CAM SHAFT	1	1L1050402			
13	901010681400	BOLT	1	000002255		901010627800	Δ
14	953170660000	NUT	1	000004107			
15	36LF533A0000	PLATE INDICATOR	1	1L1050403			
16	36LF53661000	CLUTCH HUB	1	1L1050901			
17	934204280100	CIRCLIP	1	000016106			
18	93306004Y000	BEARING-6004 ZR	1	000013402			Δ
19	931062680100	SEAL OIL	1	1L1050904			
20	36LF53870100	SHAFT SPROCKET	1	1L1050903			
21	4TLF54380000	SPROCKET REAR	1	1L5050101		4TLF54370000	
22	901090836100	BOLT	1	1L1050906			
23	36LF54120000	WASHER	1	1L1050905			
24	901790863900	NUT	1	1L1050907			
25	36LF53040100	SPOKE SET WITH NIPPLES	1	1L1662400			#
26	941271882600	TIRE (2.75-18 4PR) - REAR	1	000035106		941271883900	#
27	942271882400	TUBE REAR ( 3.00 X 18 )	1	000036106			#
28	943251882200	BAND RIM	1	1L1050011			

NOTE :-

- 1) Requested to create the parts order in existing part no. i.e in 12 digit
- 2) Part numbers having no symbol in remarks column indicates its serviceability
- A) Part nos with symbol (Δ) are serviceable till stock
- B) Part nos with symbol (#) are not serviceable due to constraints

FIG. 24 REAR WHEEL

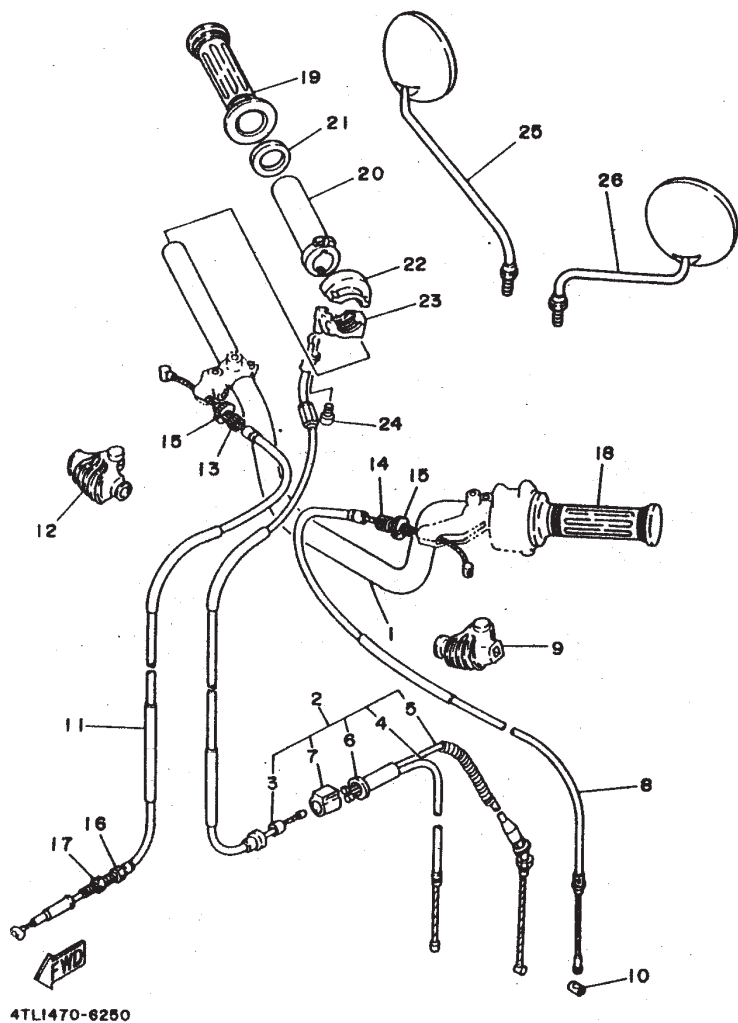


REF. NO.	EXISTING PART NO.	PART NAME	4TL1	9 DIGIT PART NO.	ESCORT 12 DIGIT	SUPERSEDED PART NO.	REMARKS
29	944161880000	RIM	1	1L1050003		944141883200	
30	36LF53710000	BAR TENSION	1	1L1050004			
31	901090806300	BOLT	1	1L1050008			
32	953370860000	NUT	1	000004109			#
33	904681005000	CLIP	1	1L1050010			Δ
34	901090836800	BOLT	1	1L1050009			Δ
35	953170870000	NUT HEX SMALL	1	000004209			
36	929070810000	SPRING WASHER	1	000005106			Δ
37	904681200700	CLIP	1	000009103		914012001500	
38	36LF53810100	AXLE REAR WHEEL	1	1L1050001			
39	901702080100	NUT HEX	1	1L1050006			
40	5KAF53770000	COLLAR SHAFT	1	1L1050002			
41	90387208W800	COLLAR	1	1L1050005			
42	901711480000	NUT CASTEL	1	1L1050007			
43	914903003000	PINCOTTER	1	000009114			
44	36LXF53800000	PULLER CHAIN-1	1	1L1051000			#
45	5TSXF5390100	PULLER CHAIN ASSY	1	1L1051100		36LXF5390000	
46	901530801100	BOLT SPECIAL	1	1A1050012			
47	953170870000	NUT HEX SMALL	1	000004109			
48	945684710700	CHAIN 108 LINKS	1	1L1051200			
49	946082400100	CHAIN JOINT	1	1L1051400		946080400100	#
	5USF53950000	NIPPLE SPOKE (NEW)	1	5SF539500		5UCF53950000	
	5USF51960000	SPOKE 1	1	5SF539600			
	5USF51970000	SPOKE 2	1	5SF539700			

NOTE :-

- 1) Requested to create the parts order in existing part no. i.e in 12 digit
- 2) Part numbers having no symbol in remarks column indicates its serviceability
- A) Part nos with symbol (Δ) are serviceable till stock
- B) Part nos with symbol (#) are not serviceable due to constraints

FIG 25 HANDLE, CABLE

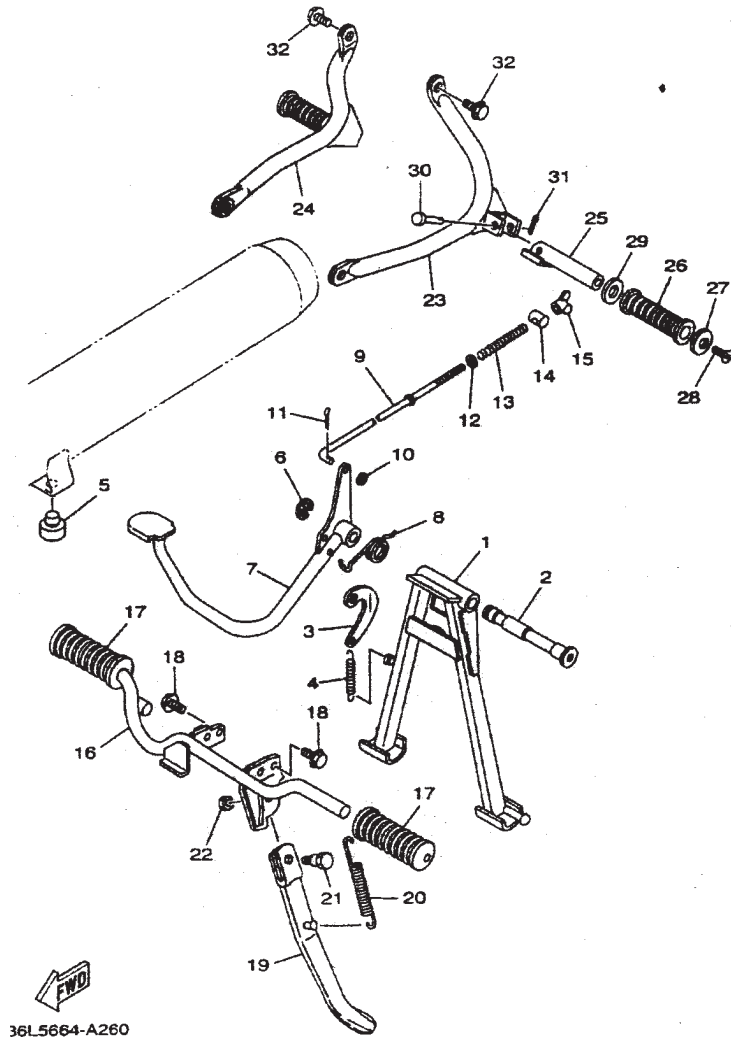


REF. NO.	EXISTING PART NO.	PART NAME	4TL1	9 DIGIT PART NO.	ESCORT 12 DIGIT	SUPERSEDED PART NO.	REMARKS
1	5YYF61110000	HANDLE BAR	1	1L1190100		36LF61100000	
2	4TLF62600000	WIRE CYLINDER ASSY	1	1L5190100			
3	36LF63110000	WIRE THROTTLE-1	1	1L1190300			
4	4TLF63120000	WIRE THROTTLE 2	1	1L5190200			#
5	36LF63210000	WIRE PUMP	1	1L1190600			
6	36LF62610000	CYLINDER	1	1L1190201			
7	36LF62680000	HOLDER WIRE CYLINDER	1	1L1190202			
8	36LF63350000	WIRE CLUTCH	1	1L1090700			
9	36LF63720000	COVER LEVER	1	1L1090001			
10	36LF63631000	END WIRE-1	1	1L1190010			
11	36LF63410000	WIRE BRAKE	1	1L1190900			
12	36LF63720000	COVER LEVER	1	1L1190001			
13	901230801300	BOLT WIRE ADJUSTING	1	1L1190002			
14	901230804600	BOLT WIRE ADJUSTING	1	1L1190003			
15	901790814800	NUT WIRE ADJUSTING	2	1L1190004			
16	901230601000	BOLT WIRE ADJUSTING	1	1L1190005			
17	901790614300	NUT WIRE ADJUSTING	1	1L1190006			
18	36LF62410000	GRIP	1	1L1190007			
19	36LF62420000	GRIP2	1	1L1190803			
20	36LF62430000	TUBE GUIDE	1	1L1190801			
21	36LF62490000	RING LEAF	1	1L1190802			
22	36LF62811000	CAP GRIP UPPER	1	1L1191600		36LF62810000	
23	36LF62821000	CAP GRIP UNDER	1	1L1190011		36LF62820000	
24	901570511600	PAN HEAD SCREW	2	000034218			
25	36LF62802000	MIRROR ASSY 1	1	1L1191100		36LF62800000	
26	36LF62902000	MIRROR ASSY R.H	1	1L1191000		36LF62900000	

NOTE :-

- 1) Requested to create the parts order in existing part no. i.e in 12 digit
- 2) Part numbers having no symbol in remarks column indicates its serviceability
- A) Part nos with symbol (Δ) are serviceable till stock
- B) Part nos with symbol (#) are not serviceable due to constraints

FIG. 26 STAND, FOOTREST



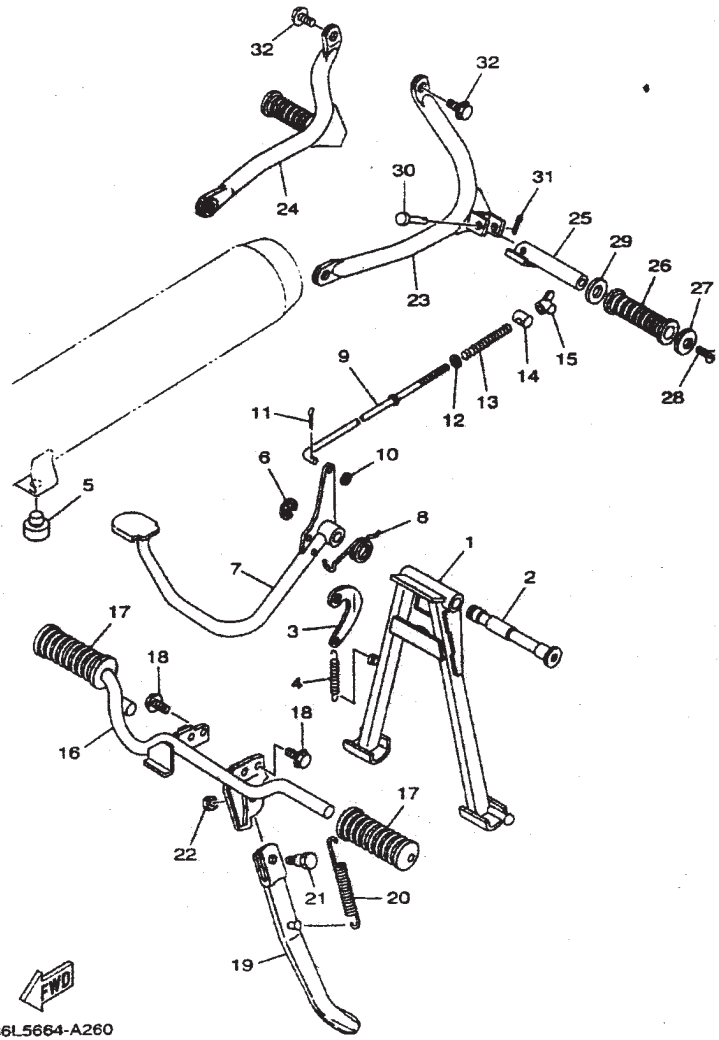
36L5664-A260

NOTE :-

- 1) Requested to create the parts order in existing part no. i.e in 12 digit
- 2) Part numbers having no symbol in remarks column indicates its serviceability
- A) Part nos with symbol (Δ) are serviceable till stock
- B) Part nos with symbol (#) are not serviceable due to constraints

REF. NO.	EXISTING PART NO.	PART NAME	4TL1	9 DIGIT PART NO.	ESCORT 12 DIGIT	SUPERSEDED PART NO.	REMARKS
1	36LF71110100	STAND MAIN	1	1L1200100		36LF71110000	
2	36LF71120000	SHAFT	1	1L1200001			
3	36LF71150000	LINK	1	1L1200002			
4	905062905400	SPRING TENSION	1	1L1200003			
5	36LF71140000	STOPPER	1	1L1200004			
6	934301282100	RETAINING RING	1	000016315		934301280900	
7	36LF72110100	PEDAL BRAKE WELDED	1	1L1170100			
8	905083205600	SPRING TORSION	1	1L1170002			
9	36LF72310000	ROD BRAKE	1	1L1170001			
10	929070660000	WASHER	2	000006105			
11	904681200700	CLIP	1	000009103		914012001500	
12	929070660000	WASHER	1				
13	905011024500	SPRING COMPRESSION	1	1L1170003			
14	902491200800	BARREL	1	1A1170002			
15	901790680600	NUT BRAKE	1	1L1170004		901750601300	
16	36LF74110000	FOOT REST WELDED	1	1L1110100			
17	36LF74130000	COVER FOOT REAR	2	1L1110001			
18	958170802000	BOLT FLANGE	2	000002607			
19	36LF73110000	SIDE STAND WELDED	1	1L1330100			#
20	905062504700	SPRING TENSION	1	1L1330001			
21	901090803200	BOLT	1	1L1330002			
22	953170870000	NUT HEX SMALL	1	000004209			
23	36LF74320000	BRACKET-1 L H	1	1L1260100			
24	36LF74420000	BRACKET-2 R H	1	1L1260200			
25	36LF74310200	FOOT REST REAR-1	2	1L1260300			
26	36LF74330200	COVER FOOT REST	2	1L1260004			
27	36LF743E0000	STOPPER	2	1L1260002			
28	9870N0601600	SCREW CSK HEAD	2	000034103		987070601600	
29	902012081600	WASHER SPL.	2	1L1260003		902012027900	

FIG. 26 STAND, FOOTREST



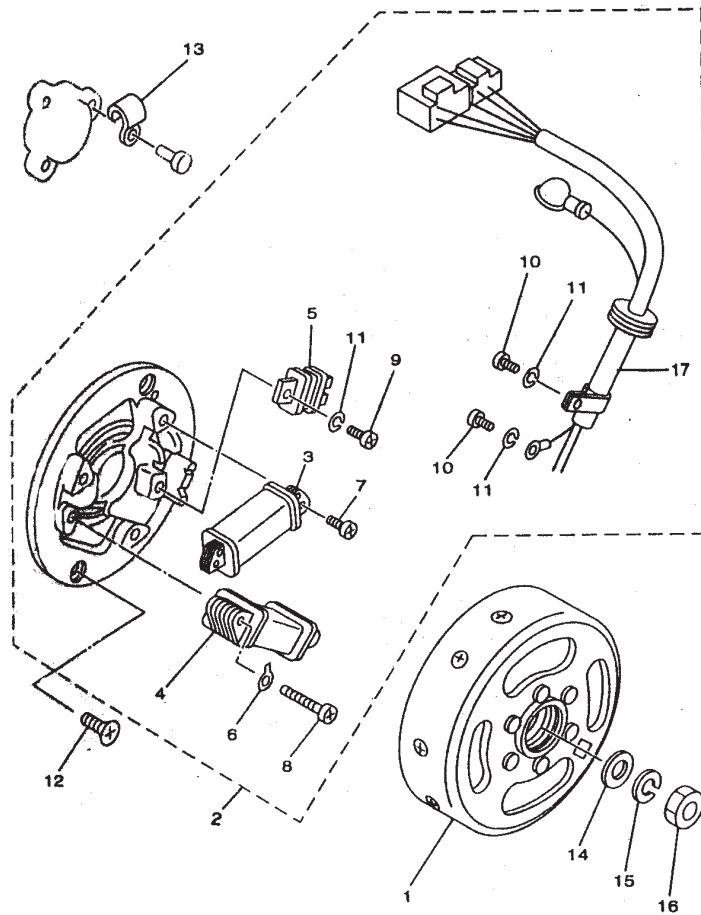
36L5664-A260

NOTE :-

- 1) Requested to create the parts order in existing part no. i.e in 12 digit
- 2) Part numbers having no symbol in remarks column indicates its serviceability
- A) Part nos with symbol (Δ) are serviceable till stock
- B) Part nos with symbol (#) are not serviceable due to constraints

REF. NO.	EXISTING PART NO.	PART NAME	4TL1	9 DIGIT PART NO.	ESCORT 12 DIGIT	SUPERSEDED PART NO.	REMARKS
30	902400605200	PIN,W/HOLE	2	1L1260001			
31	914011601200	PIN,SPLIT	2	000009118		902522780000	
32	9580N0802000	BOLT,FLG.	2	00002607		958070802000	

FIG. 27 GENERATOR



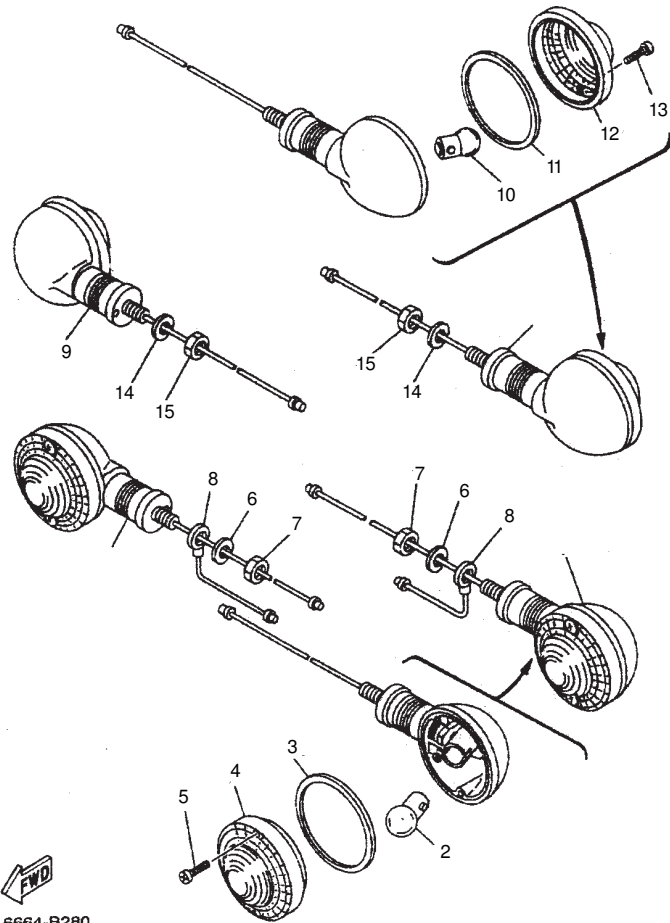
  
4TL1470-8270

**NOTE :-**

- 1) Requested to create the parts order in existing part no. i.e in 12 digit
- 2) Part numbers having no symbol in remarks column indicates its serviceability
- A) Part nos with symbol (Δ) are serviceable till stock
- B) Part nos with symbol (#) are not serviceable due to constraints

REF. NO.	EXISTING PART NO.	PART NAME	4TL1	9 DIGIT PART NO.	ESCORT 12 DIGIT	SUPERSEDED PART NO.	REMARKS
1	4TLH55000000	CDI MAGENTO 12 V	1	1L5620200			Δ
2	4TLH55600000	BASE ASSY	1	1L5620300			#
3	36LH5520V000	CHARGING COIL	1	1L1620400			
4	4TLH13130000	LIGHTING COIL	1	1L2620500			
5	36LH5580V000	PULSER ASSY	1	1L5620600			#
6	36LH5569V000	TERMINAL EARTH 2	1	1L1620303			#
7	9851N0401200	SCREW PAN HEAD TAPPING	2	000032217		985170401200	Δ
8	9851N0402500	SCREW PAN HEAD	2	000032206		985170402500	Δ
9	985800401000	SCREW CHEESE HEAD M4X10	1	000032237			#
10	9760N0411000	SCREW PAN HEAD	2	000032230			#
11	929010410000	WASHER SPRING	3	000005102			#
12	987070601400	SCREW CSK HEAD M2X12	2	000034302			#
13	904620501200	CLAMP	1	1L1620001			Δ
14	902011217800	WASHER	1	1L1620002			
15	9290N1210000	WASHER SPRING	1	000005108		929071210000	
16	901701234700	NUT SPECIAL	1	1L1620003			
17	NO YGK NO		1	1L2620700			

FIG. 28 FLASHER LIGHT



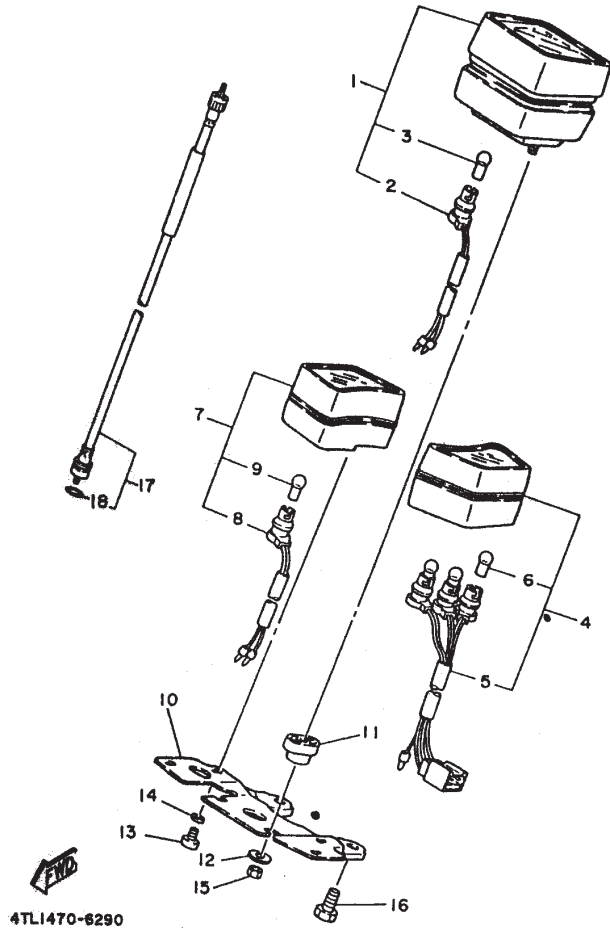
36L6664-B280

NOTE :-

- 1) Requested to create the parts order in existing part no. i.e in 12 digit
- 2) Part numbers having no symbol in remarks column indicates its serviceability
- A) Part nos with symbol (Δ) are serviceable till stock
- B) Part nos with symbol (#) are not serviceable due to constraints

REF. NO.	EXISTING PART NO.	PART NAME	4TL1	9 DIGIT PART NO.	ESCORT 12 DIGIT	SUPERSEDED PART NO.	REMARKS
1	36LH33101000	FRONT FLASHER LIGHT ASSY	2	1L2240100			
2	36LH33111000	BULB (12V-10W)	1	000018156			
3	36LH3313V000	GASKET LENS	1	120310603			Δ
4	36LH3312V000	LENS INDICATOR	1	120310602			#
5	977063062000	TAPPING SCREW 84X19	2	000033809			#
6	929071010000	SPRING WASHER	2	000005107			Δ
7	953071060000	NUT HEX	2	00004119			Δ
8	36LH33540000	WIRE EARTH LEAD	2	1L1240500			Δ
9	36LH33301000	REAR FLASHER LIGHT ASSY 1 12V	2	1L2240300			
10	36LH33111000	BULB (12V-10W)	1	000018156			
11	36LH3313V000	GASKET LENS	1	120310603			Δ
12	36LH3312V000	LENS INDICATOR	1	120310602			#
13	977063062000	TAPPING SCREW 84X19	2	000033809			#
14	9290N1010000	SPRING WASHER	2	000005107		929071010000	
15	9530N1060000	NUT	2	000004119		953071060000	

FIG. 29 METER

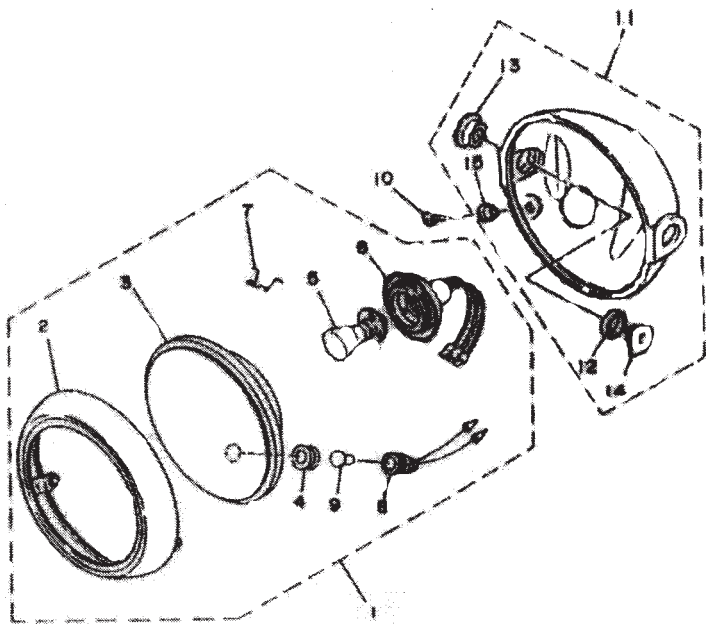


REF. NO.	EXISTING PART NO.	PART NAME	4TL1	9 DIGIT PART NO.	ESCORT 12 DIGIT	SUPERSEDED PART NO.	REMARKS
1	36LH3510V000	SPEEDO. ASSY.	1	1L1250200			
1	36LH35101000	SPEEDOMETER ASSY	1	1L2250200			#
2	36LH3509V000	SOCKET ASSY S M	1	1L1250900			
3	36LH35161000	BULB ( 12V-3.4 W )	1	000018164			
4	36LH3530V000	PILOT LIGHT ASSY (L)	1	1L2250400		36LH35301000	
5	36LH3520V000	SOCKET PILOT LAMP LH	1	1L1251900			
6	36LH35161000	BULB ( 12V-3.4 W )	3	000018164			
7	36LH35821000	PILOT LAMP ASSY.RH	1	1L2250500			#
8	36LH355TV000	SOCKET ASSY PILOT LAMP RH	1		1L1251400		
9	36LH35161000	BULB ( 12V-3.4 W )	1	000018164			
10	36LH3519V000	BRACKET METER	1	1L1250101			
11	36LH3523V000	DAMPER	2	1L1250102			
12	36LH35240000	WASHER SPECIAL	2	1L1250103			#
13	985070401000	FCC FIXING SCREW	4	000132705			
14	929070860000	WASHER	4	000005102			
15	953070560000	NUT	2	000004105			Δ
16	975010811600	BOLT HEX WITH WASHER	2	000102108		000102108X00	Δ
17	36LH35500000	CABLE S/M	1	1L1252000			
18	932101480600	O RING	1	1L1252001			

NOTE :-

- 1) Requested to create the parts order in existing part no. i.e in 12 digit
- 2) Part numbers having no symbol in remarks column indicates its serviceability
- A) Part nos with symbol (Δ) are serviceable till stock
- B) Part nos with symbol (#) are not serviceable due to constraints





4TL1470-8300

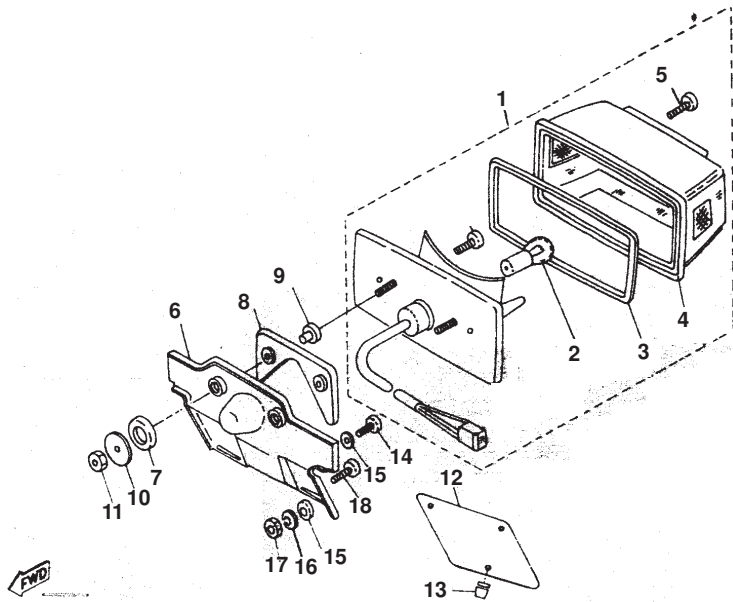
FIG. 30 HEADLIGHT

REF. NO.	EXISTING PART NO.	PART NAME	4TL1	9 DIGIT PART NO.	ESCORT 12 DIGIT	SUPERSEDED PART NO.	REMARKS
1	36LH43101000	HEADLIGHT UNIT ASSY 12V	1	1L2280300			
2	36LH4115V000	RIM HEAD LIGHT	1	1L1280400			
3	36LH41211000	LENS, HEADLIGHT	1	1L1280600			#
4	36LH4154V000	GROMMET	1	1A1280101			#
5	36LH41141000	BULB HEADLIGHT-12 35W/35W	1		000018143		
6	36LH4140V000	SOCKET CORD ASSY H L	1	1L1280700			
7	36LH4124V000	SPRING SET	3	1L1280301			
8	36LH41500000	SOCKET CORD ASSY P L	1	1L1280800		36LH4150V000	
9	36LH41471000	BULB, PILOT LIGHT	1	000018157			#
10	985170501200	SCREW WITH WASHER	2	000134216			
11	36LH413E0000	BODY ASSY HEADLIGHT	1	1L1280200		36LH4130V000	
12	36LH4163V000	DAMPER HEAD LIGHT A	2	1L1280202			#
13	36LH4164V000	DAMPER	2	1L1280203			#
14	36LH43070000	COLLAR BODY FITTING	2	1L1280204		36LH4145V000	
15	36LH4127V000	WASHER SPECIAL	2	1L1280205			#

NOTE :-

- 1) Requested to create the parts order in existing part no. i.e in 12 digit
- 2) Part numbers having no symbol in remarks column indicates its serviceability
- A) Part nos with symbol (Δ) are serviceable till stock
- B) Part nos with symbol (#) are not serviceable due to constraints

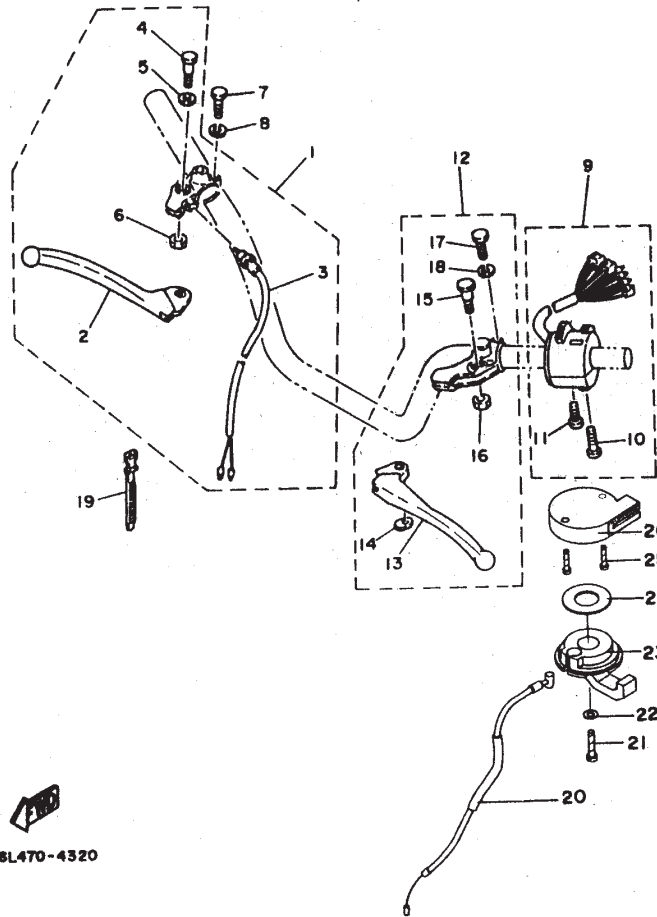
FIG 31 TAILLIGHT



REF. NO.	EXISTING PART NO.	PART NAME	4TL1	9 DIGIT PART NO.	ESCORT 12 DIGIT	SUPERSEDED PART NO.	REMARKS
1	36LH47103000	TAIL LIGHT UNIT ASSY	1	1L2290200			#
2	36LH47141000	BULB 12V-21/5W	1	000018159		000018159C00	
3	36LH4523V000	SEALING LENC S	1	1L1290201			Δ
4	36LH4521V000	TAIL LIGHT LENS	1	1L1290300			
5	977804012000	SCREW TAPPING	1	000033815			#
6	36LH4551V000	BRACKET LICENCE	1	1L1290101			
7	36LH4553V000	DAMPER	2	1L1290102			
8	36LH4542V000	SHEATH BASE	1	1L1290103			Δ
9	36LH4557V000	COLLAR	2	1L1290104			
10	36LH4554V000	WASHER PLAIN	2	1L1290001			Δ
11	953170660000	NUT	2	000004107			
12	36LF16811000	PLATE REGISTRATION	1	137290001		36LH25880000	
13	4LSF16490000	RUBBER PAD	2	131010003		36LF83780000	
14	985170601200	SCREW PAN HEAD	4	000034222			
15	90201065F300	WASHER PLAIN	2	1L1290001			#
16	9290N0610000	WASHER, SPRING	2	000005105	9290N0610000	929070610000	Δ
17	953170660000	NUT	2	000004412			

NOTE :-

- 1) Requested to create the parts order in existing part no. i.e in 12 digit
- 2) Part numbers having no symbol in remarks column indicates its serviceability
- A) Part nos with symbol (Δ) are serviceable till stock
- B) Part nos with symbol (#) are not serviceable due to constraints



36L470-4320

FIG. 32 HANDLE SWITCH, LEVER

REF. NO.	EXISTING PART NO.	PART NAME	4TL1	9 DIGIT PART NO.	ESCORT 12 DIGIT	SUPERSEDED PART NO.	REMARKS
1	36LH2920V000	LEVER HOLDER ASSY (R)	1	1L1191200			#
2	36LH3922V000	LEVER BRAKE	1	1L1191202			
3	36LH3980V000	FRONT STOP SWITCH ASSY	1	1L1191300			
4	36LH39451000	BOLT, LEVER	1	1L1191203	36LH39451000	36LH3945V000	
5	902010808500	WASHER PLAIN	1	1L1600402			
6	9570N0630000	NUT NYLOC	1	000004408			
7	9701L0602000	BOLT	1	000002119			Δ
8	9290N0610000	WASHER, SPRING	1	000005105		929070610000	Δ
9	36LH3972V000	SWITCH HANDLE	1	1L2301100			
10	985070503000	SCREW CHEESE HEAD	1	1L1301117			#
11	985070503500	SCREW C.SK	1	1L1301118			#
12	36LH2910V000	LEVER HOLDER ASSY (L)	1	1L1191400			#
13	36LH39120000	LEVER 1 CLUTCH	1	1L1191402		36LH3912V000	
14	36LH3929V000	PLATE SPRING	1	1L1191403			
15	36LH39451000	BOLT, LEVER	1	1L1191203		36LH3945V000	
16	9570N0630000	NUT NYLOC	1	000004408			
17	970170602000	BOLT HEX	1	000002106			Δ
18	9290N0610000	WASHER, SPRING	1	000009105			Δ
19	36LH39360000	BAND	2	1L1191500			
20	4TLF63310100	WIRE STARTER	1	1L5190300		4TLF63310000	
21	9850N0600800	PAN HEAD SCREW	1	000034250			
22	929070620000	WASHER	1	000006105			
23	4TLH39410000	LEVER STARTER	1	1L5190002			
24	4TLH39430000	WASHER	1	1L5190003			
25	9850N0600800	PAN HEAD SCREW	2	000034206		985070600800	
26	4TLH39420000	COVER STARTER	1	1L5190001			

NOTE :-

- 1) Requested to create the parts order in existing part no. i.e in 12 digit
- 2) Part numbers having no symbol in remarks column indicates its serviceability
- A) Part nos with symbol (Δ) are serviceable till stock
- B) Part nos with symbol (#) are not serviceable due to constraints

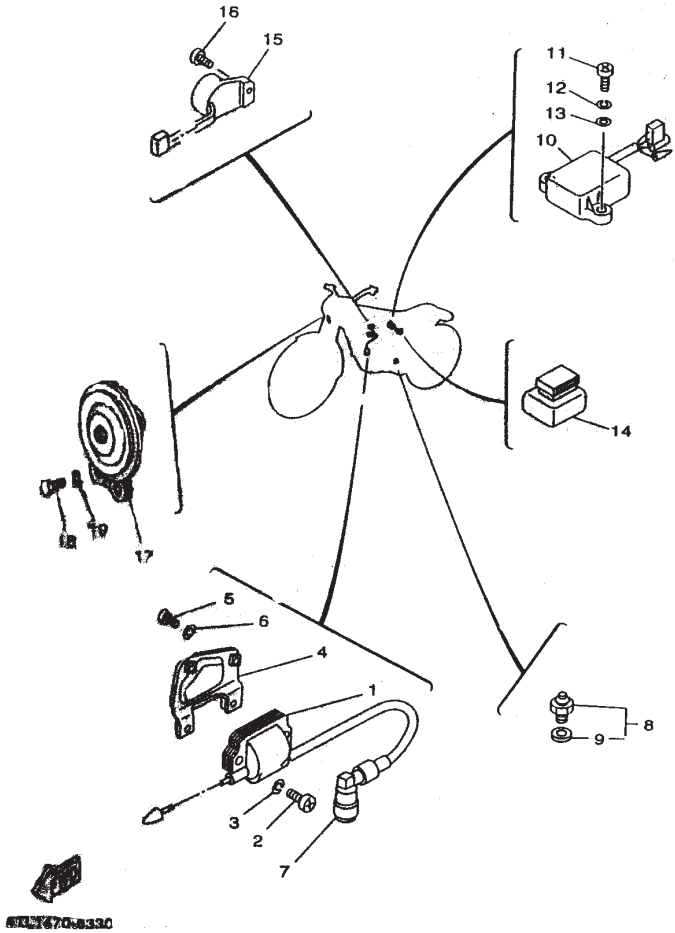


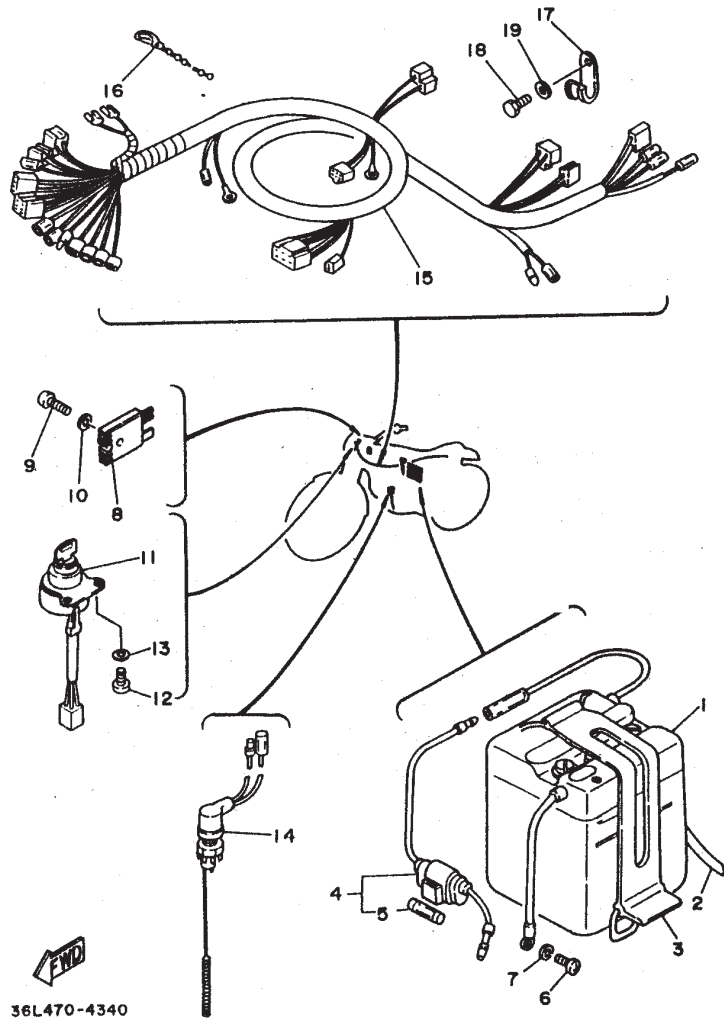
FIG. 33 ELECTRICAL 1

REF. NO.	EXISTING PART NO.	PART NAME	4TL1	9 DIGIT PART NO.	ESCORT 12 DIGIT	SUPERSEDED PART NO.	REMARKS
1	36LH2310V000	IGLITION COIL ASSY	1	1L1303100		36LH23100000	
2	000134223X00	SCREW CHEESE HEAD	2	000134223	000134223X00		#
3	9290N0610000	WASHER, SPRING	2	000009105		929070610000	Δ
4	36LH23160000	BKT IGNITION COIL	1	1L1303200			Δ
5	985170601200	SCREW PAN HEAD	2	000034221			
6	9290N0610000	WASHER, SPRING	2	000005105		929070610000	Δ
7	36LH2370V000	SPARK PLUG TERMINAL	1	1A1301800			
8	36LH2540V100	NEUTRAL SEITCH ASSY	1	1L1302300			
9	36LH258HV000	PACKING NEUTRAL SWITCH	1	1L1302305	36LH258HV000	36LH258H0000	
10	2YAH55400000	CDI UNIT ASSY	1	1M1300200			
11	9851N0602000	SCREW PAN	2	000134205		985170602000	#
12	9290N0610000	WASHER, SPRING	2	000005105		929070610000	Δ
13	929070660000	WASHER	2	000006105			
14	36LH33501000	FLASHER RELAY	1	1L2303400			
15	36LH33900000	AUDIO PILOT ASSY	1	1L2300600			#
16	901570511600	PAN HEAD SCREW	1	000034218			
17	36LH33711000	HORN	1	1L2300400			
18	970170602000	BOLT HEX	2	000002105			Δ
19	929070620000	WASHER	2	1L1300003			

NOTE :-

- 1) Requested to create the parts order in existing part no. i.e in 12 digit
- 2) Part numbers having no symbol in remarks column indicates its serviceability
- A) Part nos with symbol (Δ) are serviceable till stock
- B) Part nos with symbol (#) are not serviceable due to constraints

FIG. 34 ELECTRICAL 2



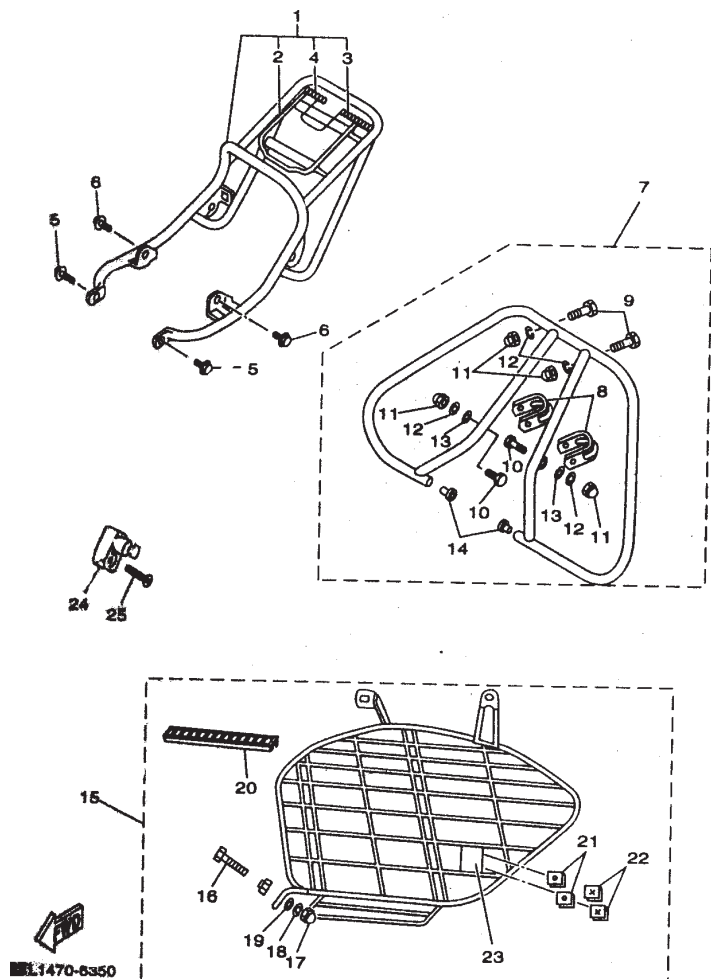
REF. NO.	EXISTING PART NO.	PART NAME	4TL1	9 DIGIT PART NO.	ESCORT 12 DIGIT	SUPERSEDED PART NO.	REMARKS
1	36LH21100000	BTRY. ASSY.	1	1L1300800			
1	36LH21101000	BATTERY	1	1L2300800			
2	904450833600	HOSE	1	1L1300801			Δ
3	36LH21311000	BAND BATTERY	1	1L1301000			
4	36LH2150V000	FUSE HOLDER ASSY	1	1L1300900			
5	36LH2151V000	FUSE	1	1L1300901			
6	9760N0621200	PAN HEAD SCREW	1	000034221		976070621200	
7	929070660000	WASHER	1	000005105			
8	5KAH19600000	RR UNIT	1	1L2300300		36LH19601000	
9	9760N0621200	PAN HEAD SCREW	1	000034212		976070621200	
10	929070660000	WASHER	1	000006110			
11	36LH25100100	MAIN SWITCH ASSY WITH KEY	1	1L1303300		36LH2510V100	
12	9770N4051000	SCREW TAPPING	2	000033808		977074061000	
13	929070410000	SPRING WASHER	2	000005102			#
14	36LH2530V100	BRAKE LIGHT SWITCH	1	1L1300600		36LH2530V000	
15	36LH25901000	WIRE HARNESS	1	1L2300100			
16	904642003100	CLAMP	3	1L1300001			
17	36LH25940000	CLAMP	1	1L1300002			
18	970170601600	BOLT HEX	1	000002104			
19	929070660000		1	000006105		9020106M0800	

NOTE :-

- 1) Requested to create the parts order in existing part no. i.e in 12 digit
- 2) Part numbers having no symbol in remarks column indicates its serviceability
- A) Part nos with symbol (Δ) are serviceable till stock
- B) Part nos with symbol (#) are not serviceable due to constraints

FIG. 35 OPTIONAL PARTS

REF. NO.	EXISTING PART NO.	PART NAME	4TL1	9 DIGIT PART NO.	ESCORT 12 DIGIT	SUPERSEDED PART NO.	REMARKS
1	36LF48319000	LUGGAGE CARR	1	1L1180100			
2	36LF48479000	LUGGAGE HOLDER	1	1L1180101			Δ
3	36LF43930000	SPRING HOLDER	1	1L1180102			
4	36LF43931000	SPRING CARRIER	1	1L1180103			
5	958170601200	BOLT FLANGE	2	000002605			
6	9580N0801200	BOLT FLANGE	2	000002606		s	
7	36LF840K0000	CRASH BAR COMPLETE	1	1L1320000			
8	36LF13380000	CLAMP	2	1L1320001			#
9	000002122000	BOLT	2	000002122	000002122000		#
10	000002229000	BOLT	2	000002229	000002229000		#
11	000004603000	DOMED CAP NUT	4	000004603	000004603000		#
12	929070810000	SPRING WASHER	4	00005106			Δ
13	929070860000	WASHER	2	000006106			
14	36LF59160000	PLUG	2	1L1320102			#
15	36LWF1290000	PROTFOOTREST-SAREE GUARD	1		1L1340000		
16	000002242000	BOLT	1	000002242	000002242000		#
17	000004603000	DOMED CAP NUT	1	000004603	000004603000		#
18	929070810000	SPRING WASHER	2	000005106			Δ
19	929070860000	WASHER	2	000006106			
20	36LF83780000	PAD RUBBER	1	127350001			Δ
21	36LF83781000	PAD BUFFER	2	111100106			#
22	5UCF17910000	SPIRENUT	2	000004801	5UCF17910000		#
23	1L1430200000	EMBLEM SAREE GUARD	1	1L1430200	1L1430200000		#
24	36LF1308V000	HANGLER HELMET	1	1L1012400			#
25	000034303X00	SCREW	1	000034303	000034303X00		Δ



NOTE :-

- 1) Requested to create the parts order in existing part no. i.e in 12 digit
- 2) Part numbers having no symbol in remarks column indicates its serviceability
- A) Part nos with symbol (Δ) are serviceable till stock
- B) Part nos with symbol (#) are not serviceable due to constraints

INDEX-4TL1

PART NO	REF. NO.	PART NO	REF. NO.	PART NO	REF. NO.	PART NO	REF. NO.	PART NO	REF. NO.	PART NO	REF. NO.
929070660000	34-19	2YAE36100000	4-1	36LE47140000	6-11	36LE81110000	13-10	36LF21410100	18-3	36LF31580000	20-40
000002122000	35-9	2YAE36131000	4-2	36LE47532000	6-7	36LE81120000	13-16	36LF21510000	18-6	36LF31630000	20-13
000002229000	35-10	2YAE61500000	10-1	36LE51280000	7-7	36LE81130000	13-11	36LF22100100	18-13	36LF31630000	20-33
000002242000	35-16	2YAE63510000	10-6	36LE53530000	12-18	36LE81150000	13-15	36LF23150000	18-12	36LF31680000	20-18
000004603000	35-11	2YAE63710000	10-3	36LE53570000	8-8	36LE81400000	12-21	36LF31020100	20-1	36LF31680000	20-38
000004603000	35-17	2YAF45680000	21-34	36LE53620000	8-24	36LE81880000	8-2	36LF31030100	20-21	36LF31700000	20-6
000034303X00	35-25	2YAH55400000	33-10	36LE53710000	7-9	36LE85110000	12-12	36LF31060000	20-2	36LF31700000	20-26
000134223X00	33-2	2YAXE1400000	2-1	36LE54110000	8-1	36LE85120000	12-13	36LF31070000	20-22	36LF31730000	20-7
127141860000	5-2	304141122000	5-18	36LE54210000	8-9	36LE85130000	12-14	36LF31100000	20-5	36LF31730000	20-27
12R141910000	5-9	31J141072000	5-23	36LE54210000	8-14	36LE85310000	12-15	36LF31100000	20-25	36LF31810000	20-15
1L1430200000	35-23	36LE11270000	1-2	36LE54350000	8-10	36LE85350000	12-16	36LF31110000	20-16	36LF31810000	20-35
1L1560002X00	5-3	36LE11610000	1-14	36LE54350000	8-22	36LE85400200	12-1	36LF31110000	20-36	36LF33184000	20-47
1L1560004X00	5-5	36LE13510000	1-16	36LE54430000	8-11	36LE85420000	12-8	36LF31140000	20-17	36LF33400000	20-41
1L1560009X00	5-12	36LE31160000	3-12	36LE54470000	8-15	36LE85610000	12-5	36LF31140000	20-37	36LF33460100	20-46
1L1560010X00	5-13	36LE31370005	3-2	36LE54510000	8-20	36LE85790000	12-10	36LF31160000	20-14	36LF33950000	19-24
1L1560300X00	5-4	36LE31370005	3-2	36LE54900000	8-21	36LF11550000	17-12	36LF31160000	20-34	36LF34110000	19-1
1L5560005X00	5-19	36LE31370010	3-2	36LE56110000	9-11	36LF1308V000	35-24	36LF31180000	20-11	36LF34111000	19-3
1L5560006X00	5-16	36LE31740000	3-19	36LE56180000	9-17	36LF13380000	35-8	36LF31180000	20-31	36LF34120000	19-2
1L5650001X00	5-33	36LE31750100	3-10	36LE56410000	9-5	36LF15180000	15-3	36LF31190100	20-19	36LF34121000	19-4
1L5650002X00	5-29	36LE31760000	3-15	36LE56510000	9-1	36LF15210000	15-4	36LF31190100	20-39	36LF34350000	19-11
1L5650003X00	5-26	36LE31780000	3-16	36LE56660000	9-9	36LF16100093	15-8	36LF31210000	20-43	36LF34370000	19-12
1L5650005X00	5-28	36LE36160000	4-3	36LE56760000	9-7	36LF16210100	15-16	36LF31220000	20-45	36LF34411000	19-17
1L5650006X00	5-30	36LE36210000	4-6	36LE61540000	10-2	36LF16290000	15-13	36LF31310000	20-42	36LF34800000	19-19
1L5650007X00	5-32	36LE41950000	5-24	36LE63410000	10-23	36LF16811000	31-14	36LF31320000	20-44	36LF34840000	19-21
1L5650008X00	5-31	36LE44012000	4-19	36LE63420000	10-24	36LF171101H6	16-1	36LF31411000	20-9	36LF41621000	21-28
1L5662400X00	5-22	36LE44020000	4-23	36LE63460000	10-27	36LF17450000	17-9	36LF31411000	20-29	36LF41621000	21-30
1L5662500X00	5-11	36LE44240000	4-21	36LE63560000	10-17	36LF17630000	17-4	36LF31440000	20-8	36LF41810000	21-7
1M1141690000	5-10	36LE44510100	4-22	36LE63570000	10-19	36LF17640000	17-2	36LF31440000	20-28	36LF41820000	21-8
1V3141960000	5-8	36LE44530000	4-11	36LE72110100	11-3	36LF176A0000	17-1	36LF31450000	20-4	36LF43930000	35-3
214141470000	5-25	36LE44760100	4-20	36LE72210000	11-6	36LF17710000	17-5	36LF31450000	20-24	36LF43931000	35-4
2YAE11290000	1-7	36LE46110000	6-1	36LE72310000	11-7	36LF17760000	17-14	36LF31460000	20-10	36LF45000200	21-12
2YAE16330000	2-10	36LE46120000	6-2	36LE72410000	11-8	36LF17830000	16-14	36LF31460000	20-30	36LF45150000	21-22
2YAE31330000	3-9	36LE46130000	6-3	36LE72850000	11-9	36LF17840000	16-16	36LF31580000	20-12	36LF45180000	21-15
2YAE35650000	4-7	36LE47101000	6-6	36LE74210000	11-2	36LF21101000	18-1	36LF31580000	20-20	36LF45210000	21-17
2YAE35810000	4-13	36LE47130000	6-10	36LE74710000	11-12	36LF21230000	18-2	36LF31580000	20-32	36LF4522V000	21-24

INDEX-4TL1

PART NO	REF. NO.	PART NO	REF. NO.	PART NO	REF. NO.	PART NO	REF. NO.	PART NO	REF. NO.	PART NO	REF. NO.
36LF45230000	21-18	36LF53710000	24-30	36LF743E0000	26-26	36LH3509V000	29-2	36LH43101000	30-1	4TLE11111000	1-9
36LF45240000	21-13	36LF53810100	24-38	36LF74420000	26-23	36LH35101000	29-1	36LH4521V000	31-4	4TLE11270000	1-4
36LF45250000	21-16	36LF53870100	24-20	36LF81001000	14-10	36LH35161000	29-3	36LH4523V000	31-3	4TLE11280000	1-3
36LF45310000	21-19	36LF54120000	24-23	36LF81870000	14-13	36LH35161000	29-6	36LH4542V000	31-8	4TLE11281000	1-5
36LF45320100	21-23	36LF59160000	35-14	36LF83780000	35-20	36LH35161000	29-9	36LH4551V000	31-6	4TLE11610000	1-8
36LF45600000	21-20	36LF62410000	25-18	36LF83781000	35-21	36LH3519V000	29-10	36LH4553V000	31-7	4TLE11611000	1-15
36LF45600100	21-31	36LF62420000	25-19	36LF840K0000	35-7	36LH3520V000	29-5	36LH4554V000	31-10	4TLE11620000	1-6
36LF45760000	21-14	36LF62430000	25-20	36LH21101000	34-1	36LH3523V000	29-11	36LH4557V000	31-9	4TLE11810000	1-10
36LF4650V100	21-25	36LF62490000	25-21	36LH21311000	34-3	36LH35240000	29-12	36LH47103000	31-1	4TLE13110000	1-13
36LF47302000	22-1	36LF62610000	25-6	36LH2150V000	34-4	36LH3530V000	29-4	36LH47141000	31-2	4TLE16030000	2-13
36LF47311000	22-2	36LF62680000	25-7	36LH2151V000	34-5	36LH35500000	29-17	36LH5110V000	14-11	4TLE16040000	
36LF47410000	22-3	36LF62802000	25-25	36LH2310V000	33-1	36LH355TV000	29-8	36LH5520V000	27-3	4TLE16050000	
36LF474A0000	22-5	36LF62811000	25-22	36LH23160000	33-4	36LH35821000	29-7	36LH5569V000	27-6	4TLE16310000	2-9
36LF48319000	35-1	36LF62821000	25-23	36LH2370V000	33-7	36LH39120000	32-13	36LH5580V000	27-5	4TLE31001000	3-1
36LF48479000	35-2	36LF62902000	25-26	36LH25100100	34-11	36LH3922V000	32-2	36LWE5150000	7-1	4TLE56210000	9-12
36LF511X0000	23-27	36LF63110000	25-3	36LH2530V100	34-14	36LH3929V000	32-14	36LWF1290000	35-15	4TLE85890000	12-9
36LF51211000	23-5	36LF63210000	25-5	36LH2540V100	33-8	36LH39360000	32-19	36LWF5360000	23-6	4TLF11100100	14-1
36LF51351100	23-8	36LF63350000	25-8	36LH258HV000	33-9	36LH39451000	32-4	36LWF5360000	24-9	4TLF17107000	16-1
36LF51360000	23-9	36LF63410000	25-11	36LH25901000	34-15	36LH39451000	32-15	36LWF7310000	26-32	4TLF171070H9	16-1
36LF51370000	23-32	36LF63631000	25-10	36LH25940000	34-17	36LH3972V000	32-9	36LXE7410000	11-1	4TLF17207000	16-6
36LF51381100	23-10	36LF63720000	25-9	36LH2910V000	32-12	36LH3980V000	32-3	36LXE8110000	13-1	4TLF172070H6	16-6
36LF513A0000	23-21	36LF63720000	25-12	36LH2920V000	32-1	36LH41141000	30-5	36LXF53800000	24-44	4TLF172070H9	16-6
36LF51490000	23-14	36LF71110100	26-1	36LH33101000	28-1	36LH4115V000	30-2	3L7141970000	5-15	4TLF17470000	17-3
36LF51550000	23-16	36LF71120000	26-2	36LH33111000	28-2	36LH41211000	30-3	3MB141040000	5-21	4TLF17810000	16-10
36LF51810000	23-28	36LF71140000	26-5	36LH33111000	28-10	36LH4124V000	30-7	401161110000	10-11	4TLF17821000	16-12
36LF53040100	23-22	36LF71150000	26-3	36LH3312V000	28-4	36LH4127V000	30-15	4LSF16490000	31-15	4TLF23100200	18-7
36LF53040100	24-25	36LF72110100	26-7	36LH3312V000	28-12	36LH413E0000	30-11	4LSF31530000	20-3	4TLF4100019V	21-1
36LF53211135	24-8	36LF72310000	26-9	36LH3313V000	28-3	36LH4140V000	30-6	4LSF31530000	20-23	4TLF410001H6	21-2
36LF533A0000	24-15	36LF73110000	26-18	36LH3313V000	28-11	36LH41471000	30-9	4TL116350000	2-9	4TLF410001H9	21-3
36LF53510000	23-19	36LF74110000	26-15	36LH33301000	28-9	36LH41500000	30-8	4TL116360000	2-9	4TLF42400000	21-4
36LF53510000	24-11	36LF74130000	26-16	36LH33501000	33-14	36LH4154V000	30-4	4TL141010100	5-1	4TLF42401000	21-5
36LF53550000	24-12	36LF74310200	26-24	36LH33540000	28-8	36LH4163V000	30-12	4TL141310000	5-14	4TLF42402000	21-6
36LF53640000	24-7	36LF74320000	26-22	36LH33711000	33-17	36LH4164V000	30-13	4TL141412800	5-17	4TLF54380000	24-21
36LF53661000	24-16	36LF74330200	26-25	36LH33900000	33-15	36LH43070000	30-14	4TL149030000	5-20	4TLF62600000	25-2



INDEX-4TL1

PART NO	REF. NO.	PART NO	REF. NO.	PART NO	REF. NO.	PART NO	REF. NO.	PART NO	REF. NO.	PART NO	REF. NO.
4TLF63120000	25-4	901051008900	14-3	901790680600	26-14	902011755800	10-15	904604305300	4-10	905082648400	9-8
4TLF63310100	32-20	901090680600	12-22	901790814800	25-15	902012026600	11-21	904604905800	4-12	905083205600	26-8
4TLF81730000	15-20	901090803200	26-20	901790841000	1-11	902012026900	23-13	904611007100	3-21	905083281100	13-3
4TLH13130000	27-4	901090806300	24-31	901790841000	6-5	902012081600	26-28	904620501200	27-13	905601281400	23-2
4TLH39410000	32-23	901090836100	24-22	901790863900	24-24	902020480100	21-33	904640802000	15-14	905601281400	24-2
4TLH39420000	32-26	901090836800	24-34	901791081200	1-17	902080402900	19-23	904642003100	34-16	905601714700	10-16
4TLH39430000	32-24	901091438500	12-17	901791280000	10-13	902081201500	10-10	904670800300	17-11	913170802500	9-18
4TLH55000000	27-1	901130680200	10-21	901791622600	11-19	902081201500	10-14	904670800300	21-30	914012002000	23-31
4TLH55600000	27-2	901160816600	6-4	901792503300	19-8	902091080500	19-9	904672005000	4-18	914901602000	13-14
4TLWF5130000		901160839300	1-12	901830404700	16-11	902150801400	13-6	904680203300	3-7	914901602000	26-30
509141350000	5-27	901161027800	1-18	901830404700	16-13	902151612700	11-20	904680203300	3-20	914903003000	24-43
5KAE63211000	10-5	901190580100	10-8	901830601800	16-15	902400605200	26-29	904681005000	24-33	916094001600	12-4
5KAF15100100	15-1	901190610800	15-15	901830601800	16-17	902400805300	13-12	904681200700	24-37	916095001600	12-3
5KAF53770000	24-40	901230601000	25-16	902010503600	15-18	902491200800	26-13	904681200700	26-10	918101480400	7-5
5KAH19600000	34-8	901230801300	25-13	902010572500	15-5	902690400300	19-22	904682604800	9-6	918101480400	8-4
5REE63240000	10-4	901230804600	25-14	902010655700	4-16	902800301700	2-2	904801205300	4-14	918101480400	8-17
5TRF51110000	23-1	901460600900	16-4	902010655700	4-29	902820500500	10-12	904801205300	4-26	929010410000	27-11
5TRF53110000	24-1	901490809400	13-4	902010655700	4-32	903401200500	7-11	904801205300	16-2	929060310000	4-5
5TSXF5390100	24-45	901520400600	21-29	90201065F300	16-3	903810880300	8-16	904801205300	16-7	929060520000	19-26
5UCF17910000	35-22	901520400600	21-31	90201065F300	16-8	903850802900	17-8	904801410200	4-27	929070410000	34-13
5URE56610000	9-4	901530801100	24-46	90201065F300	31-13	903852402800	17-6	904801817100	17-7	929070560000	21-27
5USF51960000	23-34	901570511600	25-24	902010707600	23-12	903870739000	4-28	904802518900	21-9	929070560000	21-36
5USF51960000	24-51	901570511600	33-16	902010808500	13-13	903872049100	11-18	905011024500	26-12	929070620000	4-25
5USF51970000	23-35	901570680500	8-23	902010808500	32-5	90387205E900	2-4	905011035300	12-19	929070620000	32-22
5USF51970000	24-52	901700802900	13-5	902010861200	21-10	90387208W800	24-41	905011208100	9-14	929070620000	33-19
5USF53950000	23-33	901701206000	10-9	902010862400	3-11	904300400400	3-6	905012056800	10-7	929070660000	4-9
5USF53950000	24-50	901701206500	18-4	90201106F200	18-15	904301220700	7-12	905020902400	19-20	929070660000	18-9
5YYF34160000	19-7	901701234700	27-16	902011217800	27-14	904450833600	34-2	905060881800	13-2	929070660000	18-11
5YYF61110000	25-1	901702080100	24-39	90201122H200	13-17	904450905900	21-32	905060980900	12-23	929070660000	26-11
901010681400	23-17	901711000400	23-29	902011421800	18-14	904450905900	21-29	905061006900	10-26	929070660000	33-13
901010681400	24-13	901711480000	24-42	902011422000	13-8	904450910700	17-10	905061480100	23-7	929070660000	34-7
901011080200	19-10	901761007300	18-16	902011580900	9-15	904452155200	3-8	905061480100	24-10	929070660000	34-10
901050809900	14-2	901790614300	25-17	902011582700	9-2	904452155200	4-17	905062504700	26-19	929070810000	14-7
901051004000	14-4	901790626400	16-5	902011582800	11-5	904460700900	7-10	905062905400	26-4	929070810000	15-10

INDEX-4TL1

PART NO	REF. NO.	PART NO	REF. NO.	PART NO	REF. NO.	PART NO	REF. NO.	PART NO	REF. NO.	PART NO	REF. NO.
929070810000	24-36	931062680100	24-19	936032280500	3-17	9570N0630000	32-6	977804012000	31-5	985070300800	4-4
929070810000	35-12	931090580400	10-20	936042280600	12-2	9570N0630000	32-16	978850603500	8-18	985070300800	21-21
929070810000	35-18	931091480300	13-7	938221580800	11-17	9570N1050000	14-6	985070300800	4-4	985070401000	29-13
929070860000	29-14	932101480600	29-18	941251883800	23-23	9580N0601600	15-2	985070300800	21-21	985070503000	32-10
929070860000	35-13	932101802300	2-3	941271882600	24-26	9580N0801200	22-7	985070401000	29-13	985070503500	32-11
929070860000	35-19	932101980900	8-25	942251882300	23-24	9580N0801200	35-6	985070503000	32-10	985070601000	12-11
929071010000	28-6	932104280700	24-6	942271882400	24-27	958170601200	15-12	985070503500	32-11	9850N0501000	19-25
929090805000	14-9	93306004Y000	24-18	943251882200	23-25	958170601200	17-13	985070601000	12-11	9850N0501000	21-32
9290N0510000	3-4	93306202Y000	24-3	943251882200	24-28	958170601200	22-6	9850N0501000	19-25	9850N0501000	21-35
9290N0510000	12-6	93306202Y100	24-4	944161880000	23-26	958170601200	35-5	9850N0501000	21-32	9850N0501400	3-13
9290N0610000	6-9	93306205Y000	2-6	944161880000	24-29	958170801600	6-12	9850N0501000	21-35	9850N0600800	32-21
9290N0610000	21-38	93306301Y300	23-3	945684710700	24-48	958170802000	26-17	9850N0501400	3-13	9850N0600800	32-25
9290N0610000	31-17	93306303Y100	11-11	946082400100	24-49	958170802000	26-31	9850N0600800	32-21	9850N0601600	4-15
9290N0610000	32-8	93306304Y100	11-14	947030083000	1-1	958170803000	19-18	9850N0600800	32-25	9850N0601600	4-31
9290N0610000	32-18	93306304Y200	2-5	953070560000	29-15	958170805000	19-14	9850N0601600	4-15	9850N0601600	8-13
9290N0610000	33-3	93310216J200	2-11	953071060000	28-7	9700N0601200	21-37	9850N0601600	4-31	9850N0601600	16-9
9290N0610000	33-6	93311315Y000	11-10	9530M0560000	3-3	9700N0802000	15-9	9850N0601600	8-13	9850N0601600	18-10
9290N0610000	33-12	93311315Y000	11-16	9530M0560000	15-7	970170601600	34-18	9850N0601600	16-9	9850N0603000	8-5
9290N0810000	19-15	934102080800	23-15	9530M0560000	15-19	970170602000	13-19	9850N0601600	18-10	9850N0604000	4-24
9290N1010000	14-8	934102080900	11-22	9530N0860000	15-11	970170602000	32-17	9850N0603000	8-5	9850N0604500	7-2
9290N1010000	28-14	934204280100	24-17	9530N0860000	21-11	970170602000	33-18	9850N0604000	4-24	9850N0604500	8-6
9290N1020000	23-30	934300881000	3-18	9530N1060000	28-15	970170602500	4-8	9850N0604500	7-2	9850N0605500	7-3
9290N1210000	27-15	934301081100	9-16	953170660000	23-18	970170602500	4-30	9850N0604500	8-6	9850N0605500	8-7
9290N1220000	18-5	934301081100	13-18	953170660000	24-14	9701L0602000	32-7	9850N0605500	7-3	9850N0605500	8-19
929900410000	5-7	934301282100	13-9	953170660000	31-11	975010811600	29-16	9850N0605500	8-7	9850N0606500	7-4
931011080600	3-14	934301282100	26-6	953170660000	31-16	9760N0411000	27-10	9850N0605500	8-19	9850N0801000	7-8
931011780700	9-10	934401102900	8-3	953170870000	24-35	9760N0411600	5-6	9850N0606500	7-4	985170501200	12-7
931021880200	23-4	934401580200	9-3	953170870000	24-47	9760N0520800	21-26	9850N0801000	7-8	985170501200	30-10
931022580700	2-7	934401580200	11-4	953170870000	26-21	9760N0521200	15-6	985170501200	12-7	985170601200	6-8
931022680500	11-15	934501712900	2-12	953370860000	19-16	9760N0521600	15-17	985170501200	30-10	985170601200	11-13
931032880000	2-8	935010480500	19-5	953370860000	24-32	9760N0621200	34-6	985170601200	6-8	985170601200	18-8
931040780400	23-11	935031680700	10-18	953800660000	10-22	9760N0621200	34-9	985170601200	11-13	985170601200	31-12
931041180600	10-25	935031680700	19-6	957070850000	14-5	977063062000	28-5	985170601200	18-8		
931054780100	23-20	935051681400	12-20	957070850000	22-4	977063062000	28-13	985170601200	31-12		
931062282000	24-5	935073281900	9-13	9570N0550000	14-12	9770N4051000	34-12	978850603500	8-18		

*COPYRIGHT: All rights reserved. No part of this publication  
may be reproduced without permission.*



**INDIA YAMAHA MOTOR PVT. LIMITED**

A-3 INDUSTRIAL AREA, Noida - Dadri Road, Surajpur - 201 306 (UP)

---

April 2009  
**PRINTED IN INDIA**