

RE 45/4-STROKE
PETROL,CNG,LPG



SPARE PARTS CATALOGUE

RE 45/4-STROKE
PETROL,CNG,LPG



Bajaj Auto Limited
Akurdi Pune 411 035 India

Tel : +91 20 27472851
Fax : +91 20 27476151
www.bajajauto.com

All information contained in this manual is based on the latest product information at the time of publication. Bajaj Auto Limited accepts no liability for any inaccuracies or omissions in this publication, although every possible care has been taken to make it as complete and accurate as possible. All procedures and specifications subject to change without prior notice. The right is reserved to make such changes at any time without prior notice and without incurring an obligation to make such changes to product manufactured previously. Contact your authorized Bajaj Dealer for the latest information on product improvements incorporated after this manual was issued.

DOC. NO.: 7111xxxx

REV. 00, Oct. 2013

We have pleasure in presenting the Spare Parts Catalogue for '**RE compact 4s Face Lift PETROL / CNG / LPG**' & **RE Optima 4s Face Lift CNG/LPG** Vehicles. This catalogue has been specially designed to assist you in selecting the correct parts to maintain your vehicle in best running condition.

The Bajaj spares are subjected to the stringent quality control standards to ensure longer life of the vehicle. It is therefore necessary that only the Genuine Bajaj Spares are used.

In a continual effort to improve performance & efficiency of the vehicle, Specifications, Diagrams, Illustrations and Part Numbers can change without notice. Consequently, the description in this Spare Parts Catalogue cannot therefore be final and binding on us.

The modifications / alterations which are carried out after the issue of this catalogue, will be conveyed to you through our service circulars. You are requested to make necessary corrections in the parts catalogues as per the circulars so as to keep your catalogues up to date. This will ensure the appropriate and speedy delivery of the spare parts as the order placed will bear the latest part numbers.

For latest information of serviceable spares, refer catalogue on dealer portal.

In case, if you need any technical assistance contact the concerned Regional Office or write to us on the following address :

Service Department
Bajaj Auto Ltd.
Akurdi, Pune 411 035 India
Phone : 020-27406278
Fax : 020-27407385
E-mail : service@bajajauto.co.in

1. How to Read the Catalogue : Open the catalogue and from the pictorial index locate the group in which the part you want to find is present. Turn over to the concerned page number (as given by pictorial index). Now find out the figure of the part you wish to order. Write down the part number against that particular figure number from the text.

In case, if you have the part number and you need the other details, the part index can be used. The part index (at the end of the catalogue) will give you the figure and page number of the part you wish to order.

2. How to Order Spare Parts : The part number and the description of the part required should be invariably mentioned in the order as per the catalogue text.

The latest part number as conveyed through our service circulars should only appear on the order. In case of ordering painted components, colour shade of the components should be mentioned.

The quantity shown against the part number is the quantity per vehicle for that group so that particular quantity should be multiplied by the number of sets required.

3. Part Number System: We have used 8 digit system for part numbers. The model or hardware item is indicated by first two digits or alphanumeric, the next two or four digits indicate main group and the last four or two digits indicate serial number in main group or serial number or subgroup of fastener respectively. Thus the part numbers will be indicated by 2-2-4 or 2-4-2 digit system. Understanding this system will enable you to identify the spare parts easily.

4. Abbreviations : The following abbreviations are used in this catalogue.

assly.	Assembly	V	Volts
N.I.	Not illustrated	W	Watts
C'case	Crankcase	accl.	Accelerator
Cyl	Cylinder	Comp.	Complete
o/s.	Over size	Fr	Front
Std.	Standard	L	Length
A/t.	Alternate	Rr	Rear
R.H.	Right hand	Hex.	Hexagonal
L.H.	Left hand	AR	As required

S.N.	Description	Page No.	S.N.	Description	Page No.
1	Engine & Crankcase Clutch Side	1,2	33	Rear Wheel exle	44
2	Crank Case Magneto Side	3	33a	Rear Wheel exle	45
3	Clutch Cover	4,5	34	Front Shock Absorber & Drum	46
4	Differential Cover	6	35	Front Shock Absorber & linkage	47
5	Cylinder / Piston Assembly	7	36	Front Hub	48,49
6	Cylinder Head	8	37	Front brake drum	50
7	Rocker Arm Assly & Valve	9	40	Front Mudguard	51
8	Cam Shaft & Chain Tensioner	10	39	Auto Adjuster Brake System	52,53
9	Crank Shaft Assembly	11	40	Steering Column Assly.	54,55
10	Main Shaft	12	41	Brake Pipe	56
11	Gear Transmission	13	42	Tandon Master Cylinder	57
12	Differential Assembly	14	43	Brake Pedal	58
13	Pump Assly Oil	15	44	Clutch Pedal	59
14	Clutch Plate Assly	16	45	Handle Bar Assly.	60,61
15	Clutch Housing Comp	17	46	Control Cables	62,63
16	Gear Shifter Assly	18	47	Frame Chassis Assly	64
17	Sector Complete - Revers Gear	19	48	Harness Wiring	65
18	Sector Gear Assly	20,21	49	Dashboard Assembly	66,67
19	Cowling	22	50	Wind Shield & Wiper Motor	68
20	Magneto Assembly & H.T. Coil	23	51	Steering & Head Lamp cover	69
21	Starter Motor Assly	24	52	Passenger Body	70,71
22	Fare Meter Drive Unit	25	52a	Passenger Body	72,73
23	Engine Mounting	26	53	Hood Frame Assly & Seat Assly.	74
24	Silencer Assembly	27	53a	Hood Frame Assly & Seat Assly.	75
25	Carburettor	28,29	54	Head Light Assly & Blinkers	76
26	Air Filter Complete	30,31,	55	Tail Lamp Assly	77
26a	Air Filter Complete	32	56	Switches & Horn	78
27	Pipe air intake	33	57	Electrical Units	79
28	Oil Cooler	34,35	58	Cylinder for CNG & LPG Vehicle	80
29	Petrol Tank & Petrol Cock Assly.	36,37	59	Hoses	81
29a	Petrol Tank & Petrol Cock Assly.	38	60	Relay & Solenoid	82
29b	Petrol Tank & Petrol Cock Assly.	39	51	Filter Valve	83
30	Propeller Shaft / Flanges	40	62	1st Stage Reduction Unit	84,85
31	CV Shaft	41	63	Regulator	86,87
32	Training Arm Assly.	42	64	Multi Valve(Zero Deg)	88,89
32a	Training Arm Assly.	43	65	Battery	90

Pictorial Index

RE 45/4-STROKE
PETROL,CNG,LPG

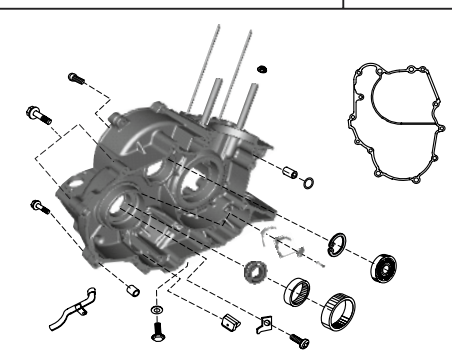
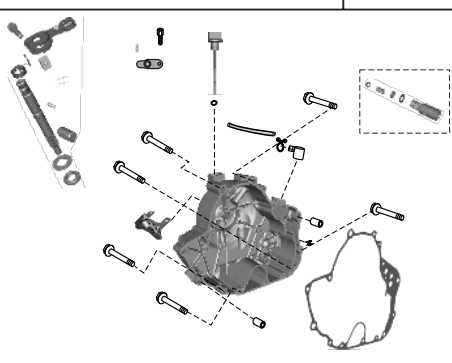
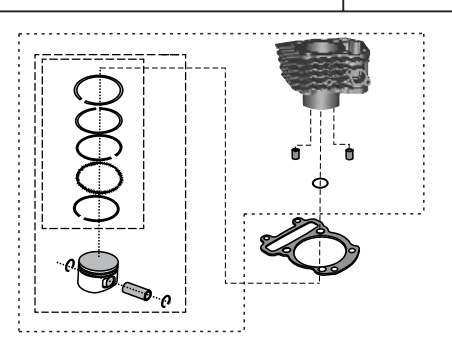
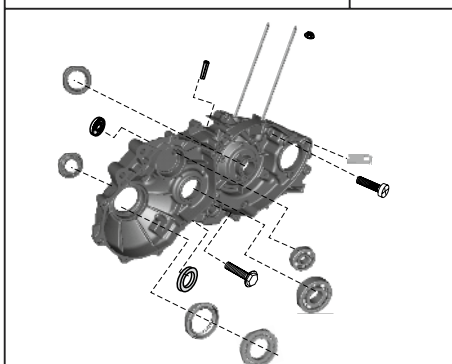
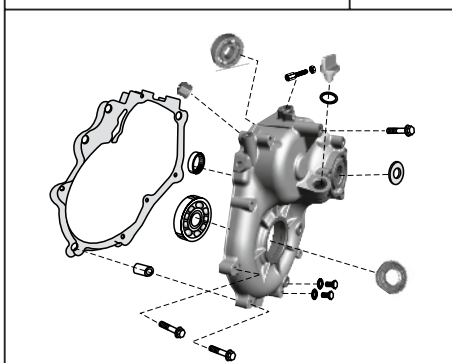
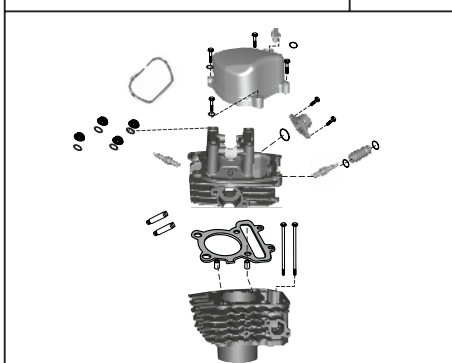
PLATE NO. : 1 ENGINE & CRANKCASE CLUTCH SIDE	PAGE NO.: 1,2
	
PLATE NO. : 3 CLUTCH COVER	PAGE NO.: 4,5
	
PLATE NO. : 5 CYLINDER / PISTON ASSEMBLY	PAGE NO.: 7
	

PLATE NO. : 2 CRANKCASE MAGNETO SIDE	PAGE NO.: 3
	
PLATE NO. : 4 DIFFERENTIAL COVER	PAGE NO.: 6
	
PLATE NO. : 6 CYLINDER HEAD	PAGE NO.: 8
	

Pictorial Index

RE 45/4-STROKE
PETROL,CNG,LPG

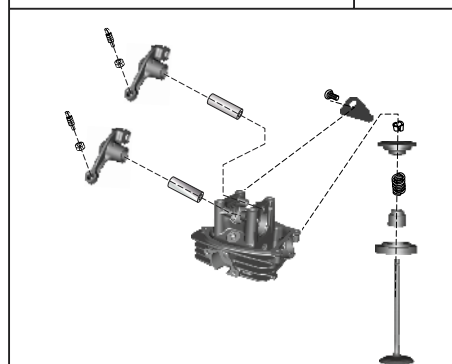
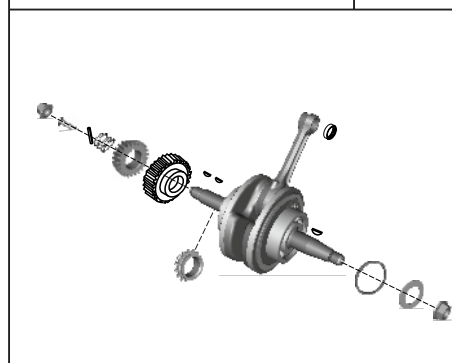
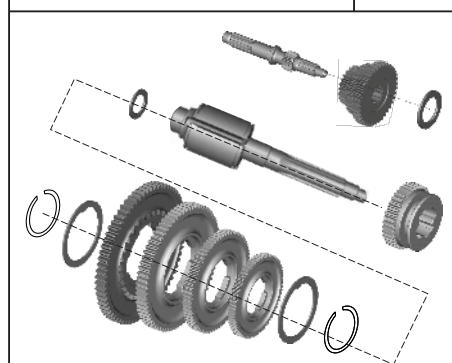
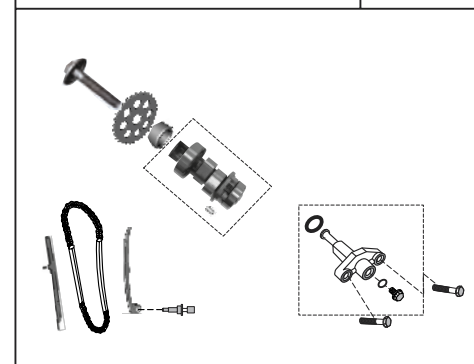
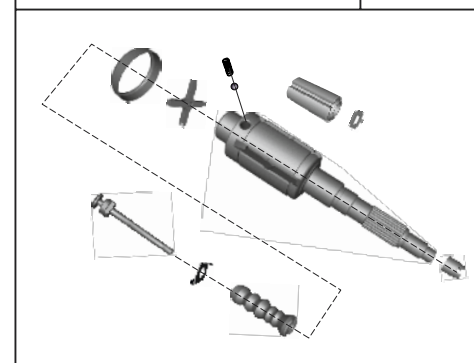
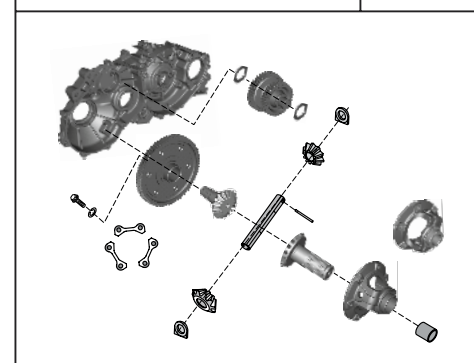
PLATE NO. : 7 ROCKER ARM ASSLY & VALVE	PAGE NO.: 9
	
PLATE NO. : 9 CRANK SHAFT ASSEMBLY	PAGE NO.: 11
	
PLATE NO. : 11 GEAR TRANSMISSION	PAGE NO.: 13
	

PLATE NO. : 8 CAM SHAFT AND CHAIN TENSIONER	PAGE NO.: 10
	
PLATE NO. : 10 MAIN SHAFT	PAGE NO.: 12
	
PLATE NO. : 12 DIFFERENTIAL ASSEMBLY	PAGE NO.: 14
	

Pictorial Index

RE 45/4-STROKE
PETROL,CNG,LPG

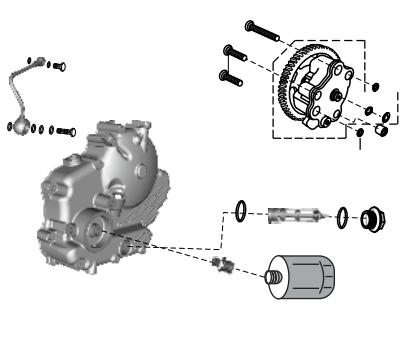
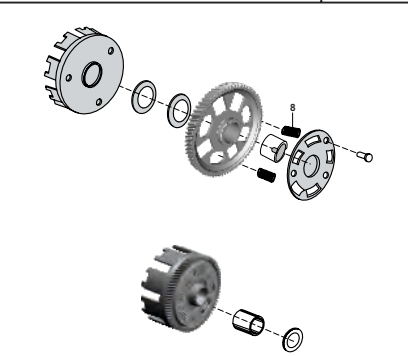
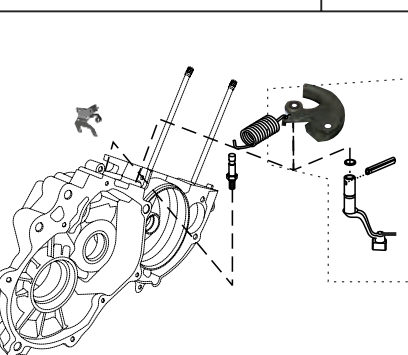
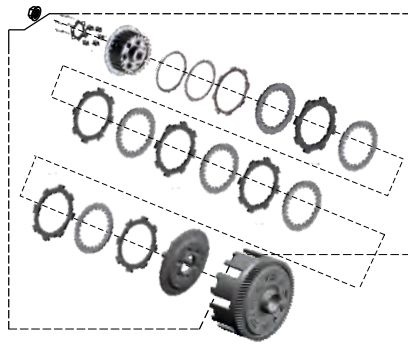
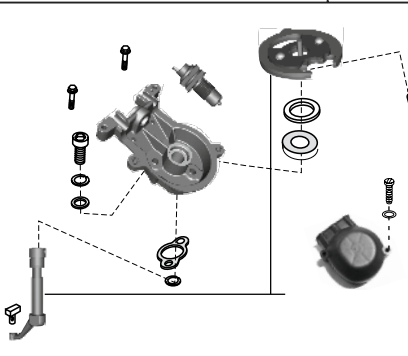
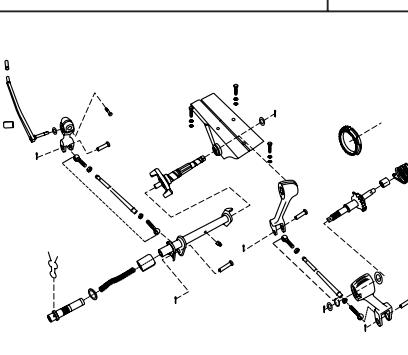
PLATE NO. : 13 PUMP ASSLY OIL	PAGE NO.: 15
	
PLATE NO. : 15 CLUTCH HOUSING COMPLETE	PAGE NO.: 17
	
PLATE NO. : 17 SECTOR COMPLETE-REVERS GEAR	PAGE NO.: 19
	

PLATE NO. : 14 CLUTCH PLATE ASSLY	PAGE NO.: 16
	
PLATE NO. : 16 GEAR SHIFTER ASSEMBLY	PAGE NO.: 18
	
PLATE NO. : 18 SECTOR GEAR ASSLY	PAGE NO.: 20,21
	

Pictorial Index

RE 45/4-STROKE
PETROL,CNG,LPG

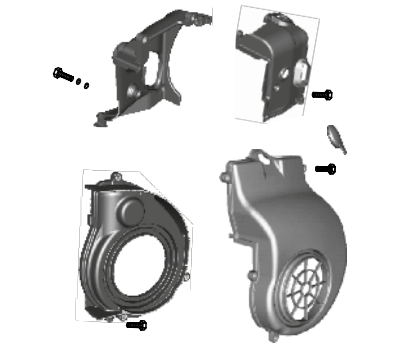
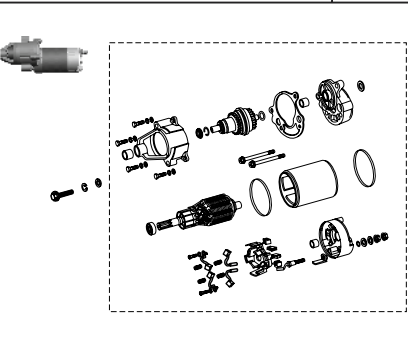
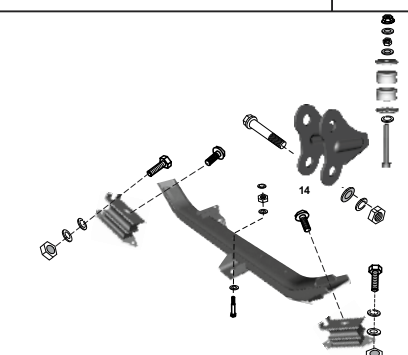
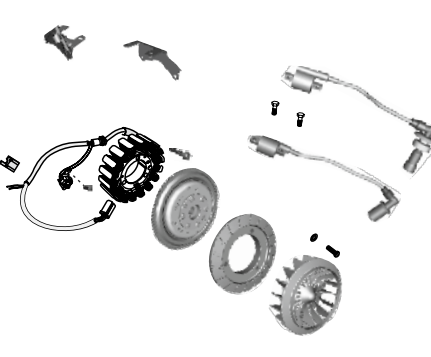
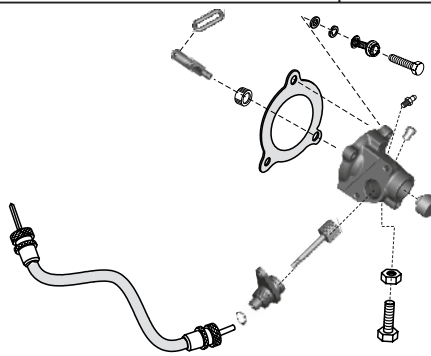
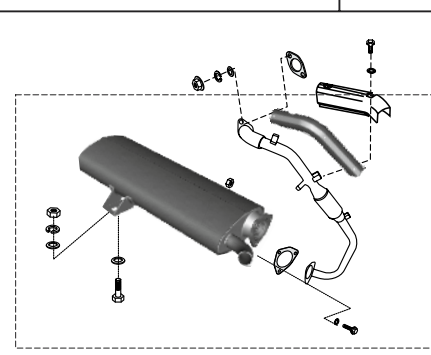
PLATE NO. : 19 COWLING	PAGE NO.: 22
	
PLATE NO. : 21 STARTER MOTOR ASSLY	PAGE NO.: 24
	
PLATE NO. : 23 ENGINE MOUNTING	PAGE NO.: 26
	

PLATE NO. : 20 MAGNETO ASSEMBLY & H.T. COIL	PAGE NO.: 23
	
PLATE NO. : 22 FARE METER DRIVE UNIT	PAGE NO.: 25
	
PLATE NO. : 24 SILENCER ASSEMBLY	PAGE NO.: 27
	

Pictorial Index

RE 45/4-STROKE
PETROL,CNG,LPG

PLATE NO. : 25
CARBURETTOR

PAGE NO.:
28,29

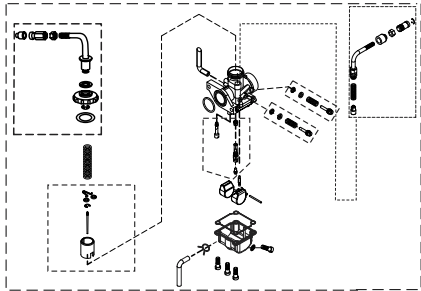


PLATE NO. : 26a
AIR FILTER COMPLETE

PAGE NO.:
32

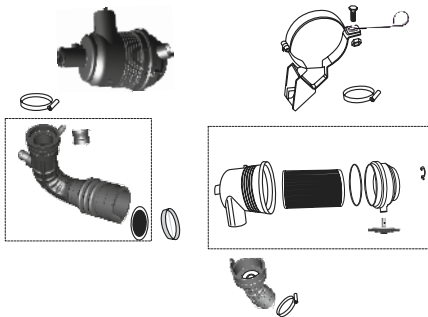


PLATE NO. : 28
OIL COOLER

PAGE NO.:
34,35

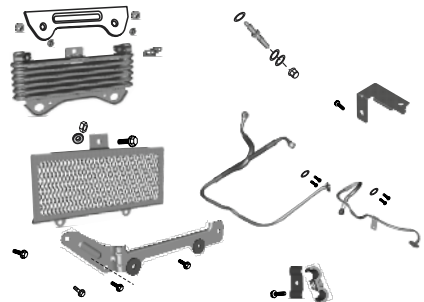


PLATE NO. : 26
AIR FILTER COMPLETE

PAGE NO.:
30,31

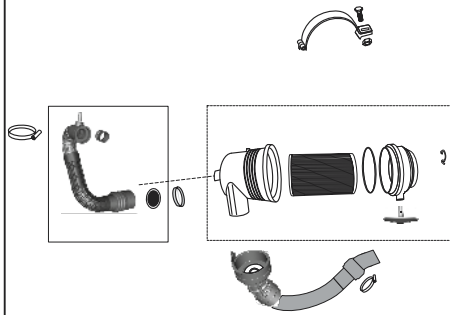


PLATE NO. : 27
PIPE AIR INTAKE

PAGE NO.:
33

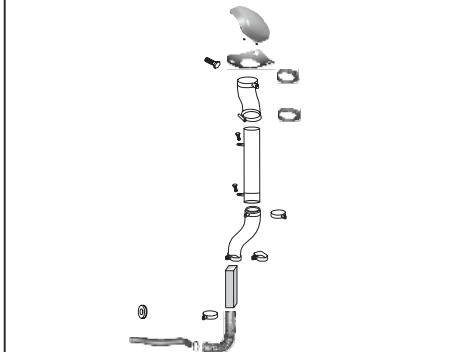
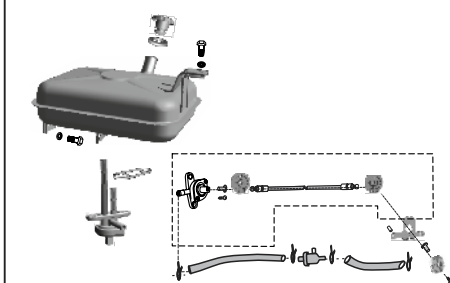


PLATE NO. : 29
PETROL TANK

PAGE NO.:
36,37



Pictorial Index

RE 45/4-STROKE
PETROL,CNG,LPG

PLATE NO. : 29a
ENGINE & CRANKCASE CLUTCH SIDE

PAGE NO.:
38

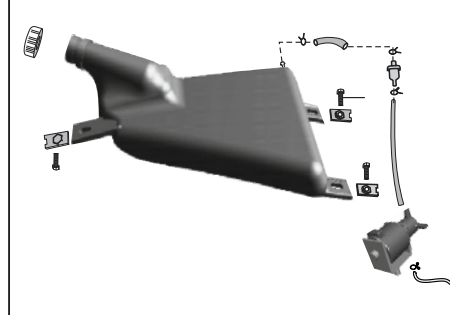


PLATE NO. : 30
PROPELLER SHAFT / FLANGES

PAGE NO.:
40

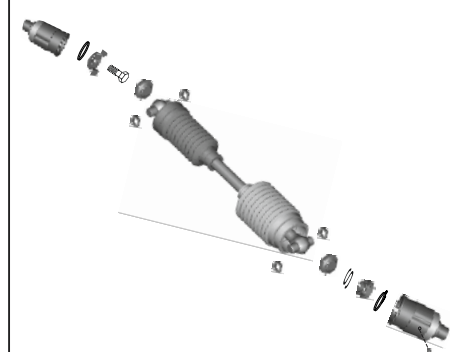


PLATE NO. : 32
TRAILING ARM/ RR SH. ABS

PAGE NO.:
42

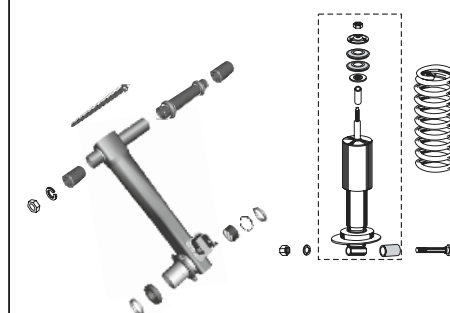


PLATE NO. : 29b
PETROL TANK (CNG/LPG)

39

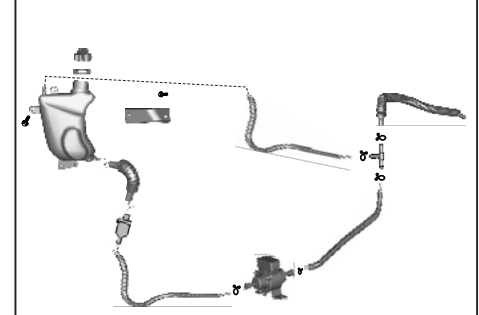


PLATE NO. : 31
CV SHAFT

PAGE NO.:
41

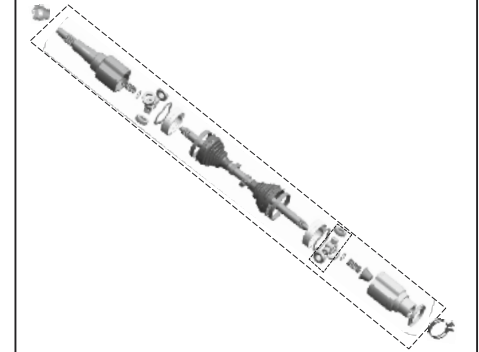
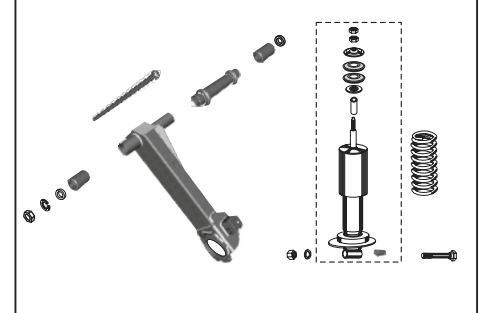


PLATE NO. : 32a
TRAILING ARM/ RR SH. ABS

PAGE NO.:
43



Pictorial Index

RE 45/4-STROKE
PETROL,CNG,LPG

PLATE NO. : 33 REAR WHEEL AXLE	PAGE NO.: 44
PLATE NO. : 34 FRONT SHOCK ABSORBER & DRUM	PAGE NO.: 46
PLATE NO. : 36 FRONT HUB	PAGE NO.: 48,49

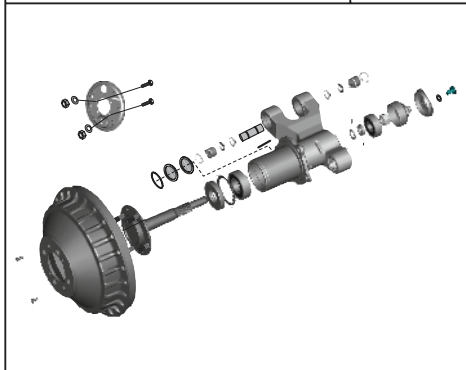
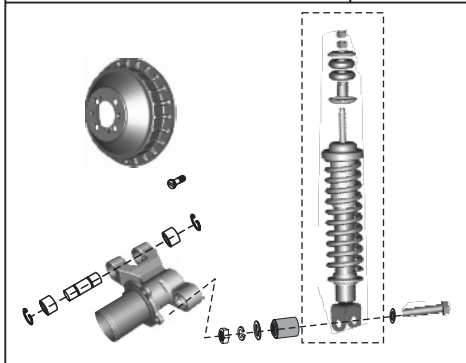
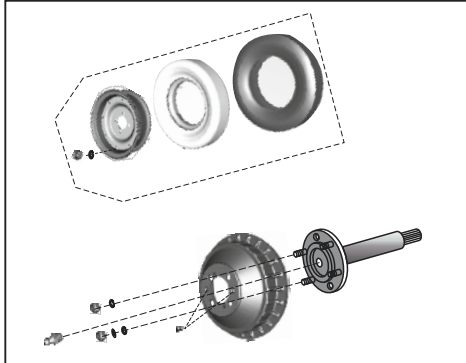
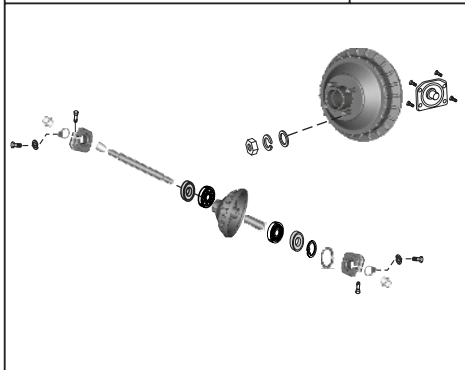
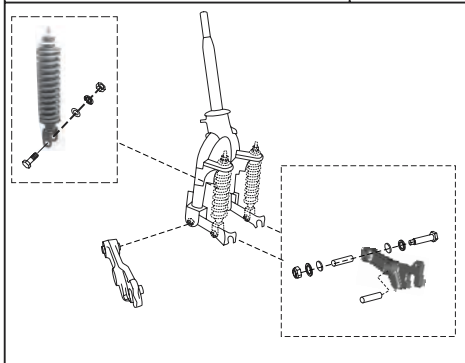
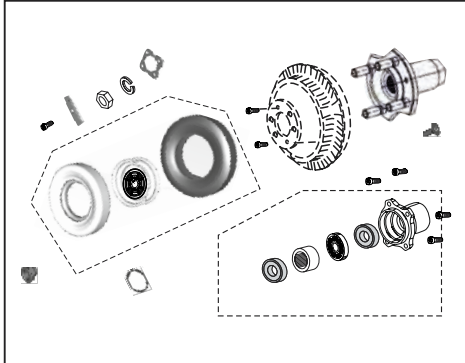


PLATE NO. : 33a REAR WHEEL AXLE	PAGE NO.: 45
PLATE NO. : 35 FRONT SHOCK ABSORBER & LINKAGE	PAGE NO.: 47
PLATE NO. : 37 FRONT BRAKE DRUM	PAGE NO.: 50



Pictorial Index

RE 45/4-STROKE
PETROL,CNG,LPG

PLATE NO. : 38 FRONT MUDGUARD	PAGE NO.: 51
PLATE NO. : 40 STEERING COLUMN ASSLY.	PAGE NO.: 54,55
PLATE NO. : 42 TANDEM MASTER CYLINDER	PAGE NO.: 57

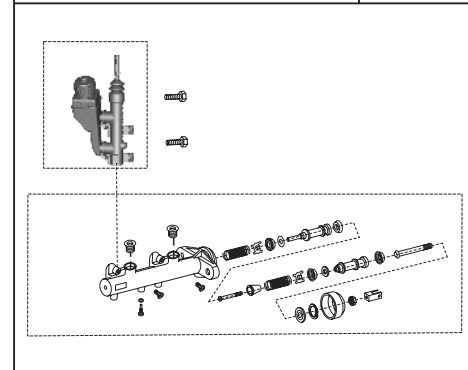
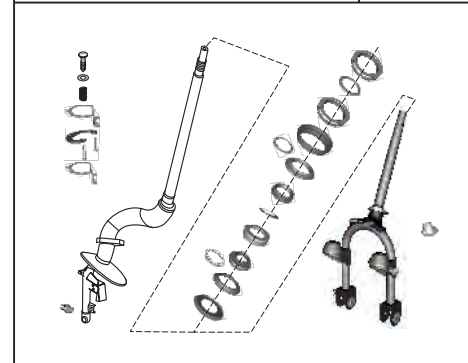
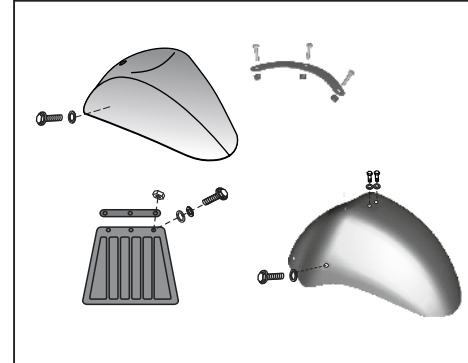
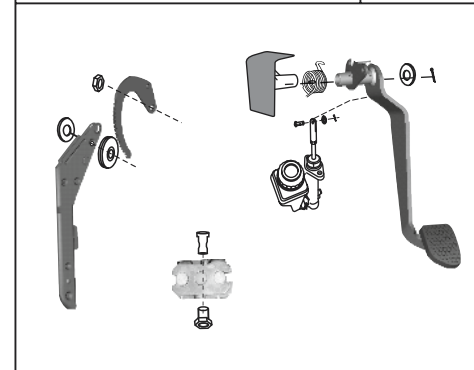
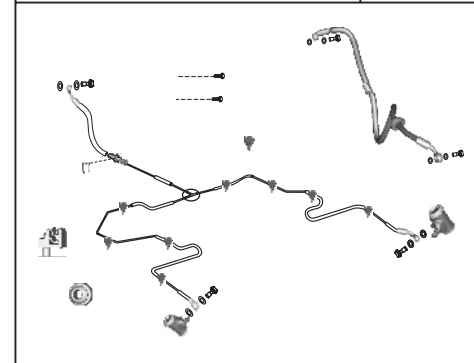
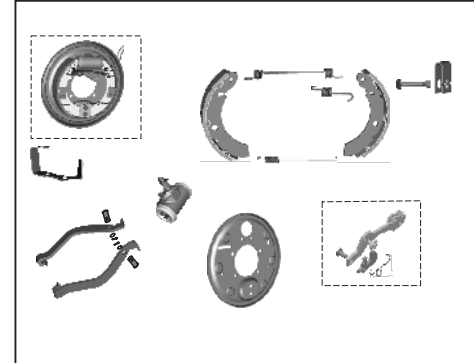


PLATE NO. : 39 AUTO ADJUSTER BRAKE SYSTEM	PAGE NO.: 52,53
PLATE NO. : 41 BRAKE PIPE	PAGE NO.: 56
PLATE NO. : 43 BRAKE PEDAL	PAGE NO.: 58



Pictorial Index

RE 45/4-STROKE
PETROL,CNG,LPG

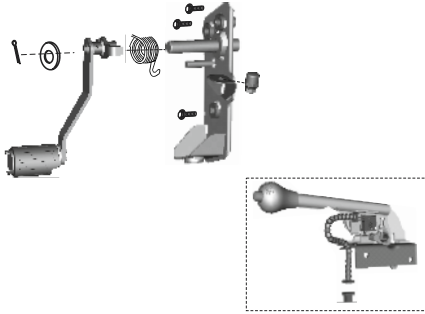
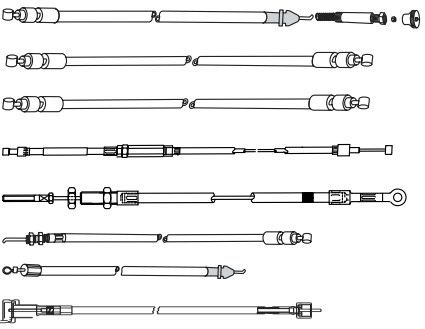
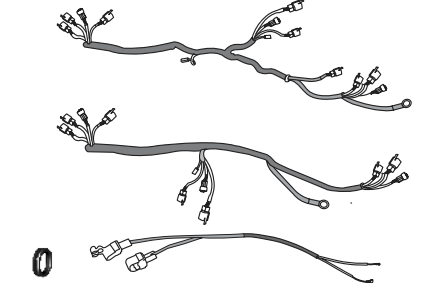
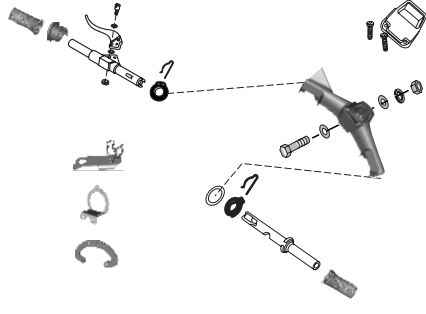
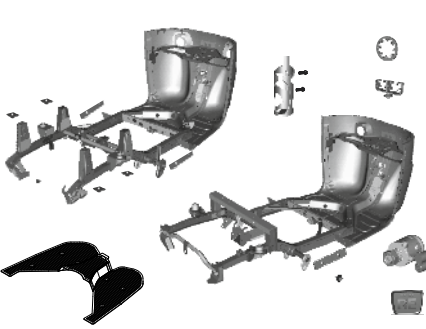
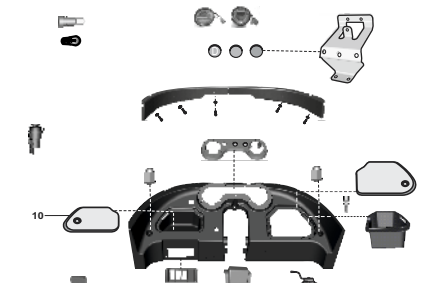
PLATE NO. : 44 CLUTCH PEDAL	PAGE NO.: 59
	
PLATE NO. : 46 CONTROL CABLES	PAGE NO.: 62,63
	
PLATE NO. : 48 FRAME CHASSIS ASSLY	PAGE NO.: 65
	

PLATE NO. : 45 HANDLE BAR ASSEMBLY	PAGE NO.: 60,61
	
PLATE NO. : 47 FRAME CHASSIS ASSLY	PAGE NO.: 64
	
PLATE NO. : 49 DASHBOARD ASSEMBLY	PAGE NO.: 66,67
	

Pictorial Index

RE 45/4-STROKE
PETROL,CNG,LPG

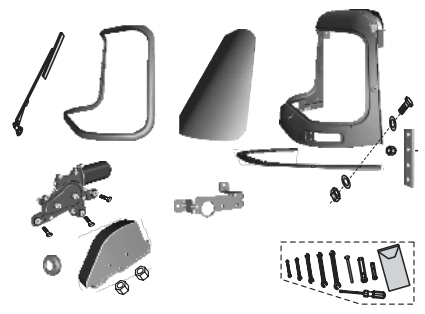
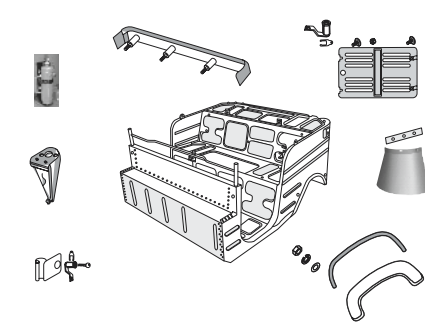
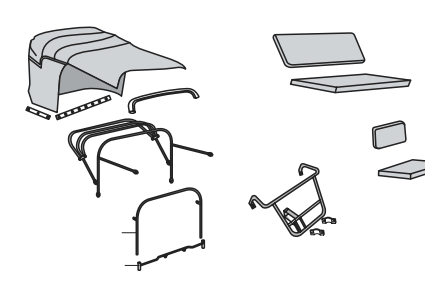
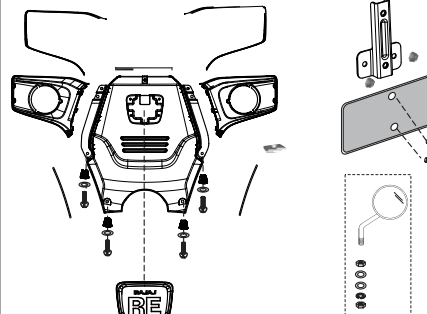
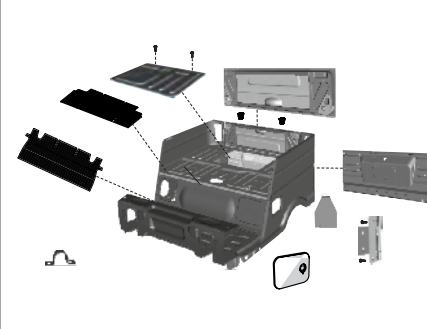
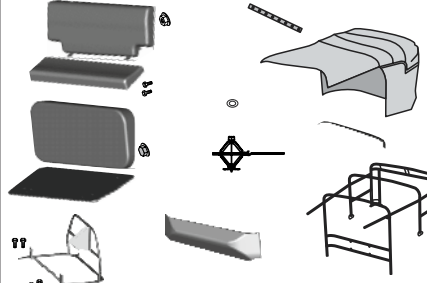
PLATE NO. : 50 WIND SHIELD & WIPER MOTOR	PAGE NO.: 68
	
PLATE NO. : 51 PASSENGER BODY	PAGE NO.: 70,71
	
PLATE NO. : 52 HOOD FRAME ASSLY & SEAT ASSLY	PAGE NO.: 74
	

PLATE NO. : 50a STEERING & HEAD LAMP COVER	PAGE NO.: 69
	
PLATE NO. : 51a PASSENGER BODY	PAGE NO.: 72,73
	
PLATE NO. : 53 HOOD FRAME ASSLY & SEAT ASSLY	PAGE NO.: 75
	

Pictorial Index

RE 45/4-STROKE
PETROL,CNG,LPG

PLATE NO. : 54
HEAD LIGHT ASSLY & BLINKERS

PAGE NO.:
76

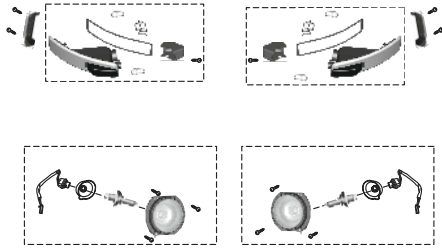


PLATE NO. : 56
SWITCHES & HORN

PAGE NO.:
78

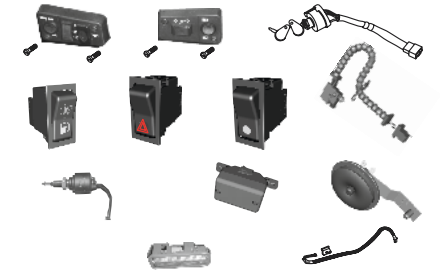


PLATE NO. : 58
CYLINDER FOR CNG & LPG VEHICLE

PAGE NO.:
80

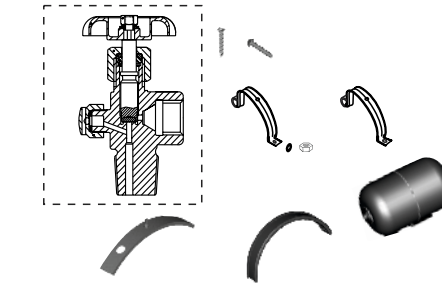


PLATE NO. :55
TAIL LAMP ASSLY

PAGE NO.:
77

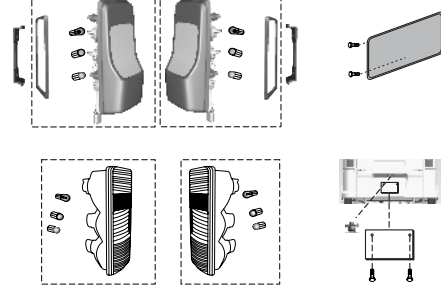


PLATE NO. : 57
ELECTRICAL UNITS

PAGE NO.:
79

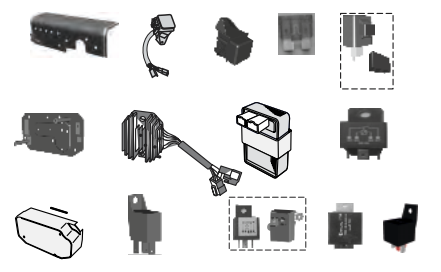
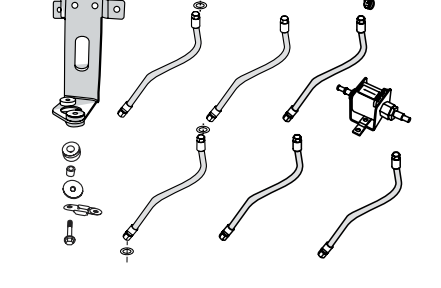


PLATE NO. : 59
HOSES

PAGE NO.:
81



Pictorial Index

RE 45/4-STROKE
PETROL,CNG,LPG

PLATE NO. : 60
RELAY & SOLENOID

PAGE NO.:
82

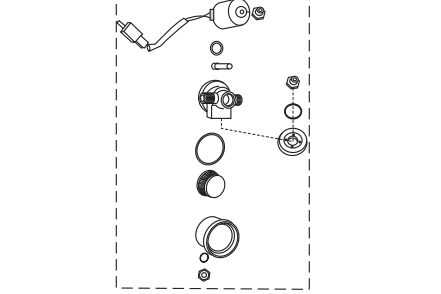


PLATE NO. : 62
1 ST STAGE REDUCTION UNIT

PAGE NO.:
84,85

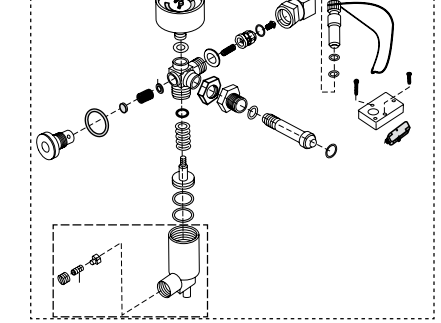


PLATE NO. : 64
MULTI VALVE(ZERO DEG)

PAGE NO.:
88,89

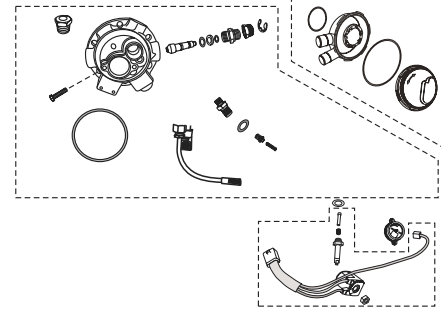


PLATE NO. : 61
FILTER VALVE

PAGE NO.:
83

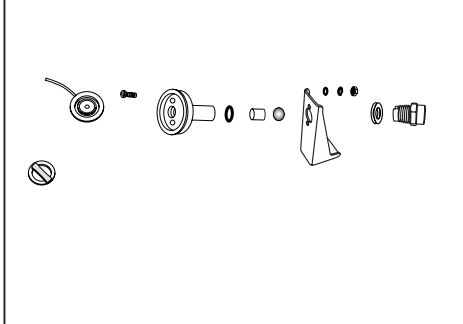


PLATE NO. : 63
REGULATOR

PAGE NO.:
86,87

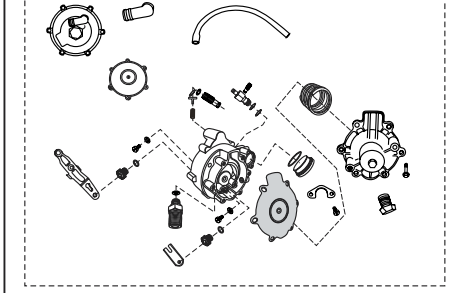
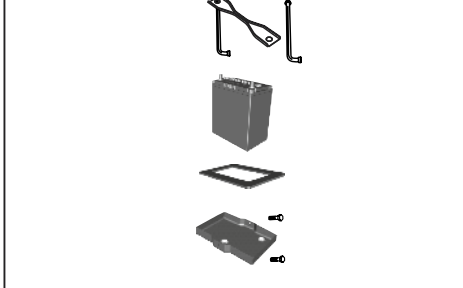
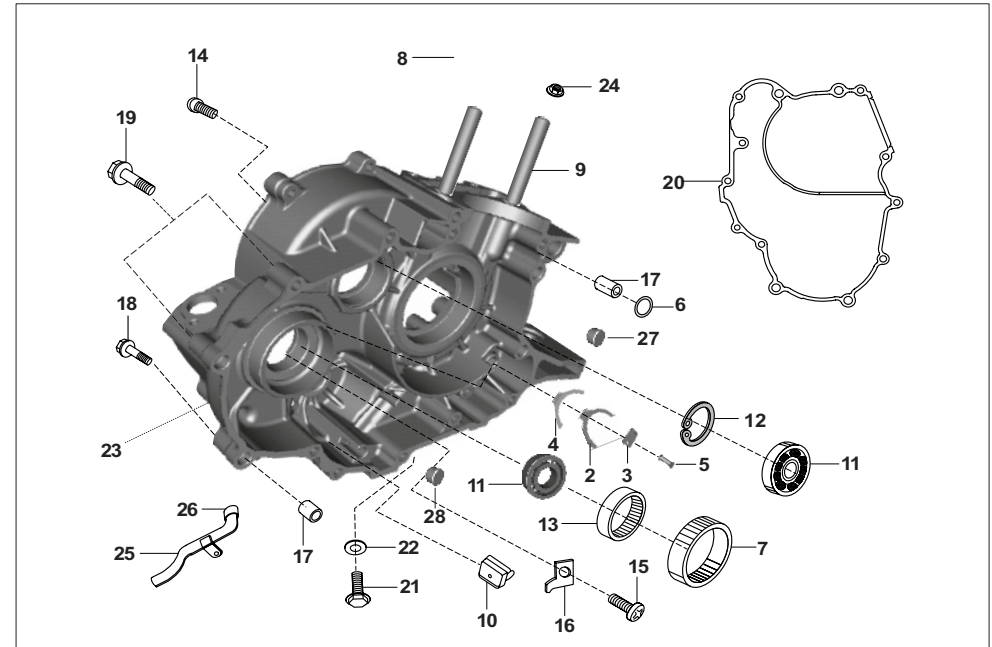


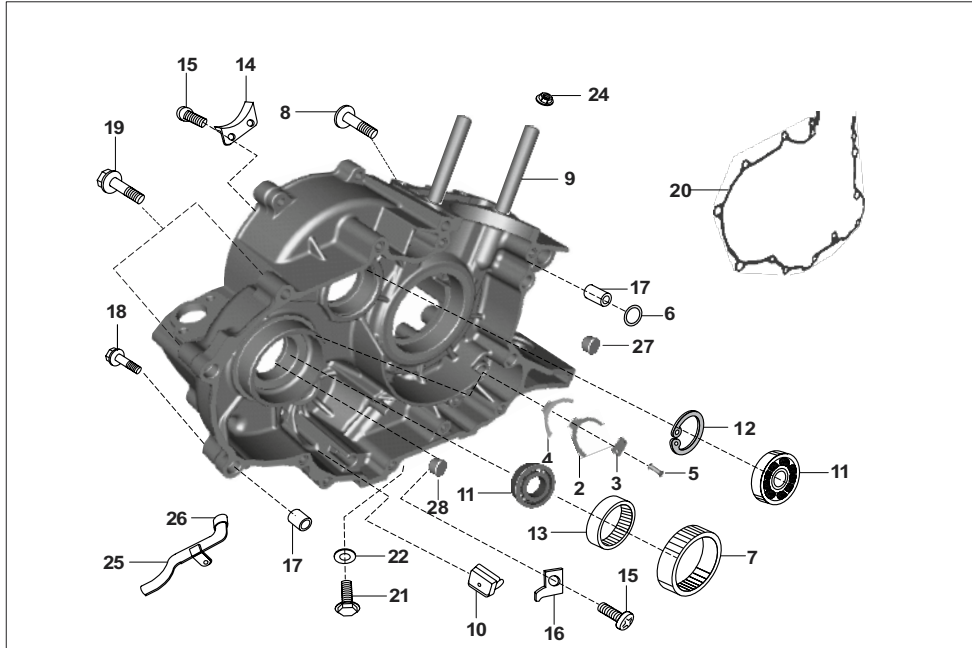
PLATE NO. : 65
BATTERY

PAGE NO.:
90

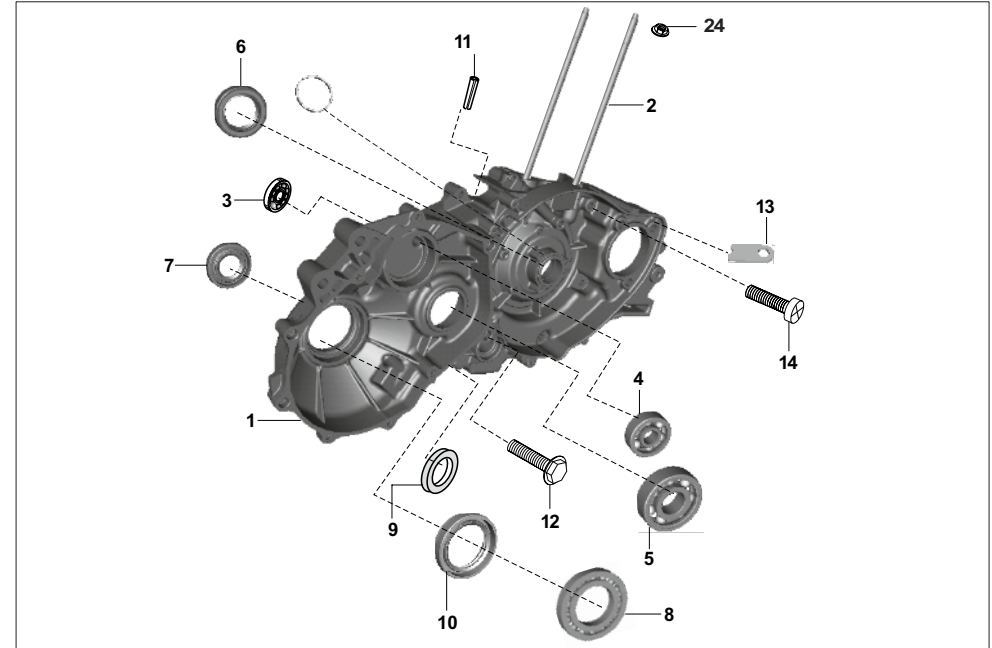




No.	Part No.	Description	QTY/VEH-205 D			205 X		Remarks
			PET	CNG	LPG	CNG	LPG	
1	AA 1017 13	Engine assy. comp.	1	--	--	--	--	Aa101713
1a	AF 1010 23	Engine assy. comp.	--	1	--	--	--	
1b	AM 1010 34	Engine assy. Comp.	--	--	1	--	--	
1c	AZ 5010 02	Engine assy. comp.CNG	--	--	--	1	--	
1d	RA 5010 03	Engine assy. comp.LPG	--	--	--	--	1	
2	AA 1011 23	Spring plate upper	1	1	1	--	--	
3	AA 1012 49	Spacer pad - hand start	1	1	1	--	--	
4	AA 1011 24	Spring plate lower	1	1	1	--	--	
5	39 0508 09	Rivet	2	2	2	--	--	
6	39 1013 21	'O' ring	1	1	1	1	1	
7	AA 1011 45	Bushstarter gear	1	1	1	--	--	
8	LA D000 62	Bolt flanged M6X1X105L	2	2	2	2	2	
9	59 0500 02	Stud	2	2	2	2	2	
10	AA 1011 43	Rubber pad	1	1	1	--	--	
11	39 1214 20	Ball bearing	1	1	1	1	1	
12	21 1704 19	Circlip	1	1	1	1	1	
13	03 1003 35	Needle roller bearing	1	1	1	1	1	
14	LA E000 17	Screw pan cross - M6	1	1	1	1	1	
15	39 0745 01	Screw pan cross - M6	1	1	1	1	1	



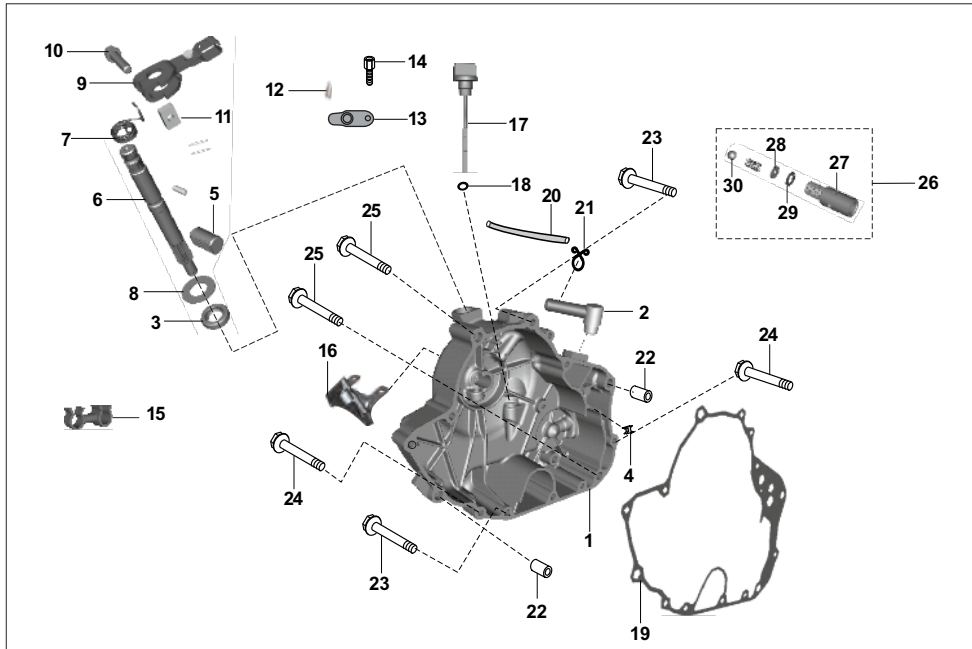
No.	Part No.	Description	QTY/VEH-205 D			205 X		Remarks
			PET	CNG	LPG	CNG	LPG	
16	AB 1010 14	Guide starter gear	1	1	1	--	--	
17	39 1000 06	Hollow dowel pin	2	2	2	2	2	
18	39 1075 04	Bolt flanged small	6	6	6	6	6	
19	39 1676 04	Bolt flanged small	2	2	2	2	2	
20	AN 1011 29	Gasket (Crankcase)	1	1	1	1	1	
21	DU 1012 23	Drain plug	1	1	1	1	1	
22	31 1011 06	Gasket (stopper roc.arm)	1	1	1	1	1	NI
	DG 1014 98	Gasket (stopper roc.arm)	1	1	1	1	1	alt for 31101106
23	AN 1011 27	Crank case clutch side	1	1	1	1	1	
24	39 1630 15	Nut flange	2	2	2	2	2	
25	AA 1012 21	Tube assly.	1	1	1	1	1	
26	28 1010 80	Rubber bush	1	1	1	1	1	
27	31 1010 60	Plug	1	1	1	--	--	
28	DP 1011 54	Plug	1	1	1	1	1	



No.	Part No.	Description	QTY/VEH-205 D			205 X		Remarks
			PET	CNG	LPG	CNG	LPG	
1	AA 1017 35	Crankcase magneto side	1	1	1	1	1	2 Bolt Mtg.
1	AN 1012 97	Crankcase magneto side	1	1	1	1	1	3 Bolt Mtg
2	59 0500 02	Stud m10 (bolt stud cylinder)	2	2	2	2	2	
3	30 1510 59	Bearing - ball c'case magn.side	1	1	1	1	1	
4	39 1864 20	Bearing - ball :- 20 x 52 x 15	1	1	1	1	1	
5	39 2561 20	Bearing - ball 6305	1	1	1	1	1	
6	AP 1012 68	Oil seal mag side	1	1	1	1	1	
7	39 1716 19	Oil seal (Main Shaft)	1	1	1	1	1	
8	24 1301 05	Ball bearing (Differential)	1	1	1	1	1	
9	39 1917 19	Oil seal-Sector gear	1	1	1	--	--	For starting handle
10	BF 5516 13	Oil seal(Differential)	1	1	1	1	1	
11	39 0427 06	Spring type straight pin	1	1	1	1	1	
12	39 1075 04	Flanged bolt	1	1	1	1	1	
13	AN 1013 52	Plate for cable holding	1	1	1	1	1	
14	LA C000 29	Bolt Socket Head	1	1	1	1	1	
15	AN 1012 38	Bolt restrictor	1	1	1	1	1	NI
16	AN 1010 62	Cap Sealing C.case Magn Side	--	--	--	1	1	NI
17	DK 1010 97	Damper Axel Rubber	1	1	1	1	1	

PLATE NO. 3 : CLUTCH COVER

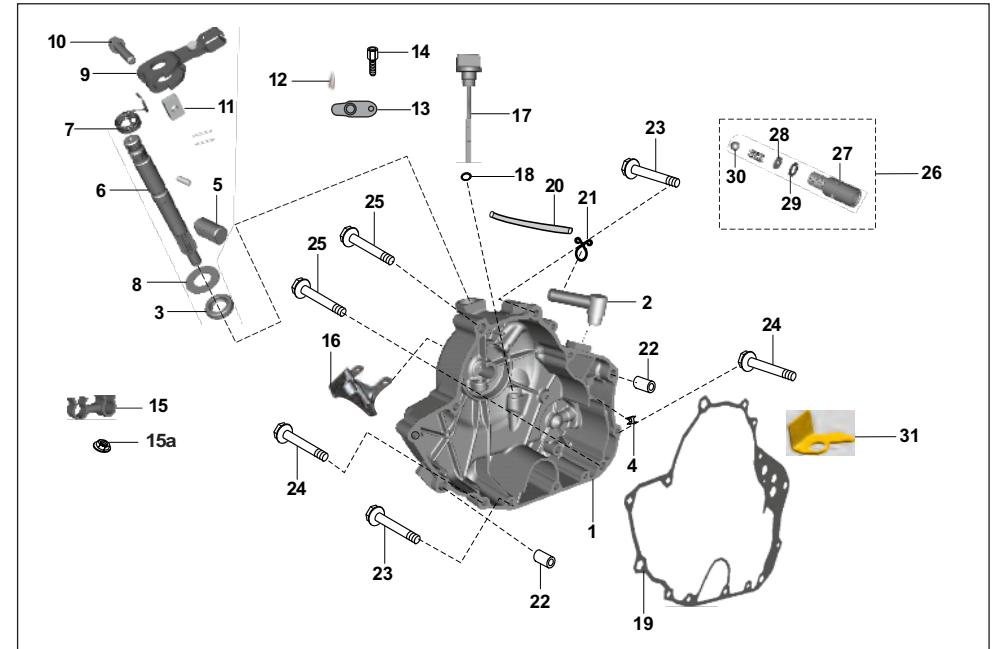
RE 45/4-STROKE
PETROL,CNG,LPG



No.	Part No.	Description	QTY/VEH-205 D			205 X		Remarks
			PET	CNG	LPG	CNG	LPG	
1	AN 1011 61	Clutch cover	1	1	1	1	1	Alt-Assly An101160
2	AN 1014 20	Pipe - breather	1	1	1	1	1	
3	39 1041 19	Seal oil- Clutch cover	1	1	1	1	1	
4	AB 1010 38	Grommet breather	1	1	1	1	1	
5	DH 1011 41	Rack clutch push	1	1	1	1	1	
6	AN 1013 75	Shaft clutch release	1	1	1	1	1	
7	AN 1013 76	Spring torsion clutch lever	1	1	1	1	1	
8	39 2443 11	Washer - Plain	1	1	1	1	1	
9	DH 1011 80	Lever assembly	1	1	1	-	-	
9	BF 5514 26	Lever assembly	--	--	--	1	1	
10	39 1674 04	Bolt - flange :- M6 X 25	1	1	1	1	1	
11	DH 1012 75	Nut - special	1	1	1	1	1	
12	AP 1011 49	Pin shaft retainer	1	1	1	1	1	
13	AN 1011 89	Plate stopper, clutch cover	1	1	1	1	1	
14	39 1699 01	Screw - countersunk head	1	1	1	1	1	
15	AN 1013 48	Clip -hose, rotatable	1	1	1	1	1	

PLATE NO. 3 : CLUTCH COVER

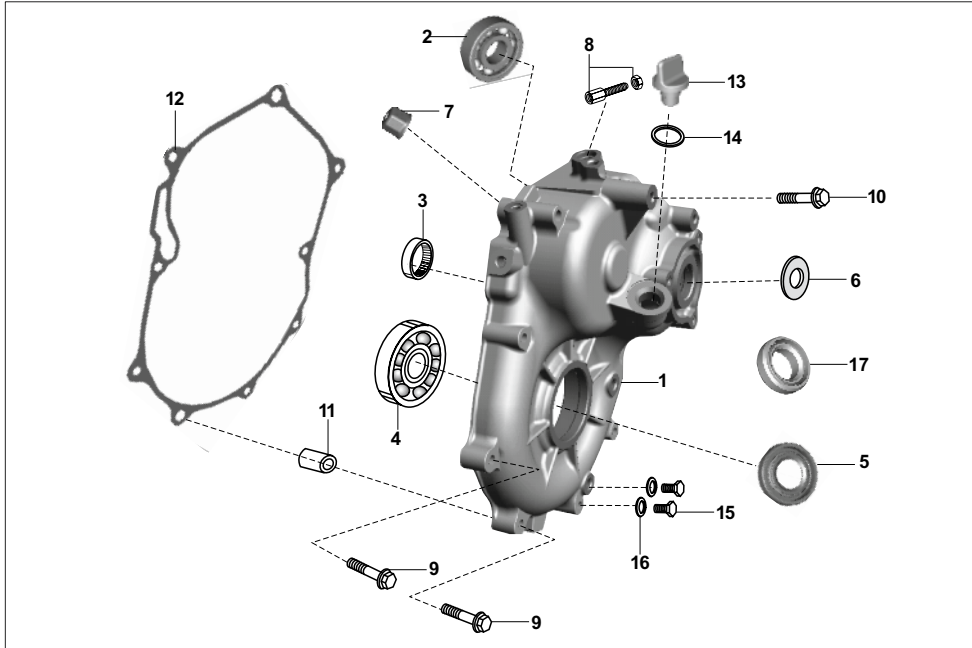
RE 45/4-STROKE
PETROL,CNG,LPG



No.	Part No.	Description	QTY/VEH-205 D			205 X		Remarks
			PET	CNG	LPG	CNG	LPG	
16	AN 1013 91	Assembly bkt-cl cable & ht coil	1	1	1	-	-	
16	AA 1017 95	Assembly bkt-cl cable & ht coil	--	--	--	1	1	
17	AA 1016 67	Stick dip - clutch cover	1	1	1	1	1	
18	39 1537 21	O Ring	1	1	1	1	1	
19	AN 1011 86	Gasket, clutch cover	1	1	1	1	1	
20	AZ 5810 47	Tube breather	--	--	--	1	1	
20	AF 1010 35	Tube breather	--	1	1	-	-	
21	24 1214 76	Clip	1	1	1	1	1	
22	39 1000 06	Hollow dowel pin	2	2	2	2	2	
23	39 1065 04	Bolt flanged - M6x40	5	5	5	5	5	
24	39 1963 04	Bolt	4	4	4	4	4	
25	39 1721 04	Bolt	3	3	3	3	3	
26	DK 1014 69	Pressure relief valve assembly	1	1	1	1	1	
27	DK 1014 49	Spring relief valve (4 bar)	1	1	1	1	1	
28	DK 1014 72	Washer pressure relief valve	1	1	1	1	1	
29	39 2547 17	Internal circlip	1	1	1	1	1	
30	30 1012 36	Ball steel	1	1	1	1	1	

PLATE NO. 4 : DIFFERENTIAL COVER

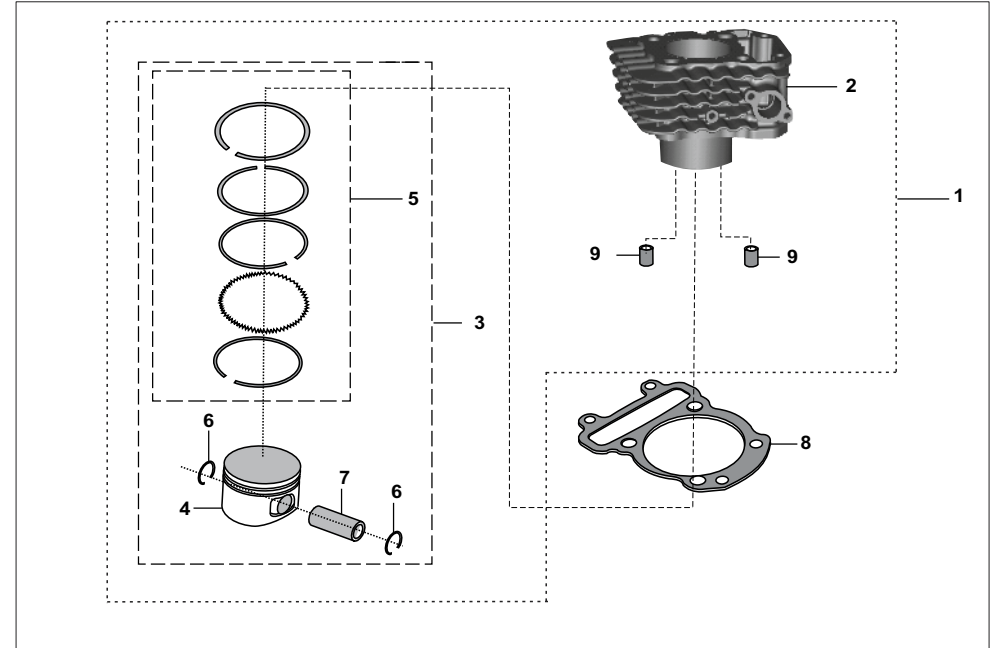
RE 45/4-STROKE
PETROL,CNG,LPG



No.	Part No.	Description	QTY/VEH-205 D			205 X		Remarks
			PET	CNG	LPG	CNG	LPG	
0	AZ 5412 00	Assembly diff cover	1	1	1	1	1	
	52 AN00 74	Assembly diff cover	1	1	1	1	1	alt for AZ541200
1	AN 1012 98	Differential cover	1	1	1	1	1	
2	30 1510 39	Bearing ball	1	1	1	1	1	
3	39 1435 20	Needle roller bearing	1	1	1	1	1	
4	KP BB60 07	Ball bearing	1	1	1	1	1	
5	BF 5516 13	Oil seal	1	1	1	1	1	
6	39 1869 19	Oil seal	1	1	1	1	1	
7	05 1010 51	Breather assly	1	1	1	1	1	
8	05 1510 12	Adjuster with nut	1	1	1	1	1	
9	LA D000 35	Bolt flanged	7	7	7	7	7	
10	LA J000 01	Bolt flanged	1	1	1	1	1	
11	39 1000 06	Hollow dowel pin	2	2	2	2	2	
12	AN 1013 12	Gasket - differential cover	1	1	1	1	1	
13	AN 1310 07	Oil plug	1	1	1	1	1	
14	39 1537 21	'O' ring	1	1	1	1	1	
15	35 1010 60	Oil plug	2	2	2	2	2	
	28 1011 41	Oil plug	2	2	2	2	2	alt for 35101060
16	39 1585 11	Washer oil plug	2	2	2	2	2	
17	39 1046 19	Seal oil - gear shifter flange	1	1	1	1	1	

PLATE NO. 5 : CYLINDER / PISTON ASSEMBLY

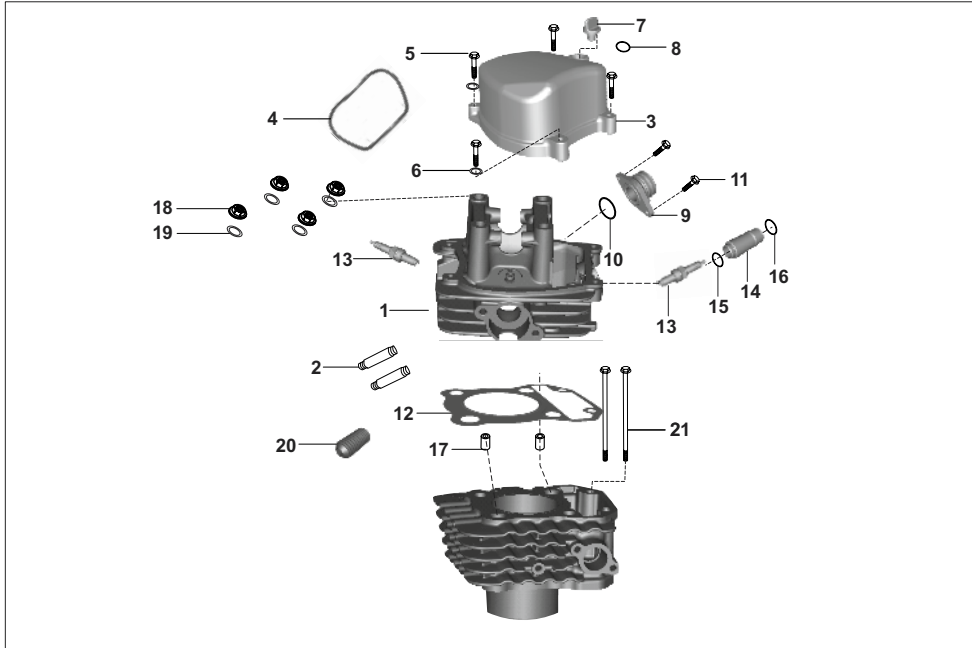
RE 45/4-STROKE
PETROL,CNG,LPG



No.	Part No.	Description	QTY/VEH-205 D			205 X		Remarks
			PET	CNG	LPG	CNG	LPG	
1	36 AN00 09	Cylinder block piston assly	-	1	-	1	-	
1a	36 AN00 10	Cylinder block piston assly	1	-	1	-	1	
2	AN 1011 33	Cylinder block complete	1	1	1	1	1	
3	AN 1014 14	Assembly piston CNG	-	1	-	1	-	alt-AN101359
3a	AN 1013 57	Assembly piston LPG	1	-	1	-	1	
4	AN 1014 15	Piston - CNG	-	1	-	1	-	N.S
	AN 1014 14	Piston - CNG	-	1	-	1	-	alt for AN101415
4a	AN 1013 58	Piston - LPG	1	-	1	-	1	N.S
	AN 1013 57	Piston - LPG	1	-	1	-	1	alt for AN101358
5	36 AN00 14	Ring set piston CNG	-	1	-	1	-	N.S
	36 AN00 12	Ring set piston LPG	1	1	1	1	1	Alt for 36AN0014
	36 AN00 16	Kit Ring Piston	1	1	1	1	1	Ref Cir. IB-92
6	39 2132 17	Ring - snap	--	2	-	2	-	
6a	39 1478 17	Ring - snap	2	-	2	-	2	
7	DJ 1010 17	Pin -piston	-	1	-	1	-	N.S
7a	EE 5212 20	Pin - piston	1	1	1	1	1	
8	AN 1011 35	Gasket cylinder	1	1	1	1	1	
	AA 1018 73	Gasket Cylinder	1	1	1	-	-	
9	39 2181 06	Pin - hollow dowel :- 14 X 20	2	2	2	2	2	

PLATE NO. 6 : CYLINDER HEAD

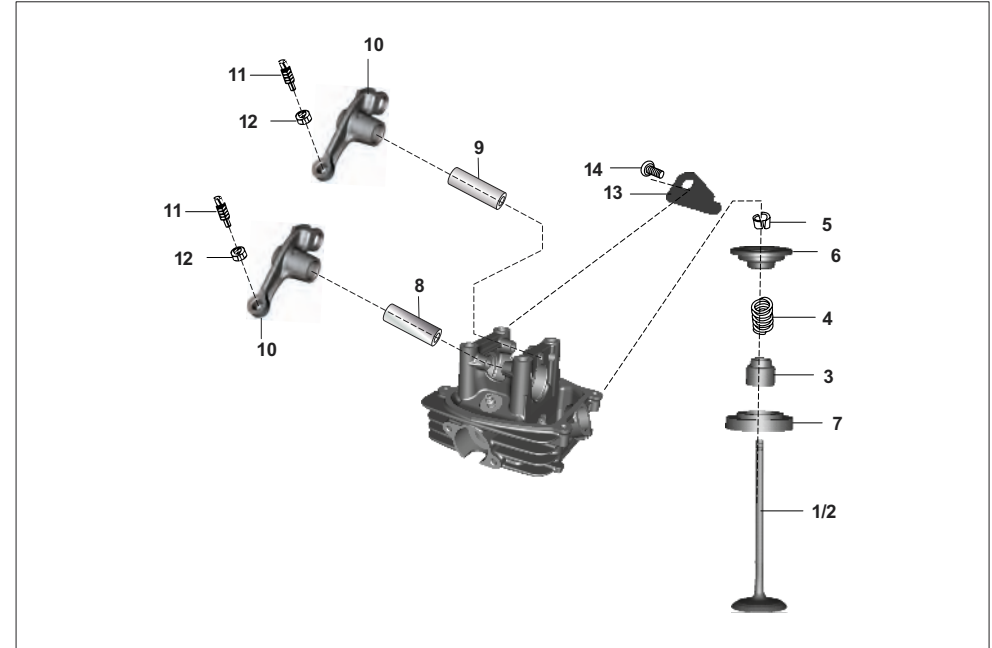
RE 45/4-STROKE
PETROL,CNG,LPG



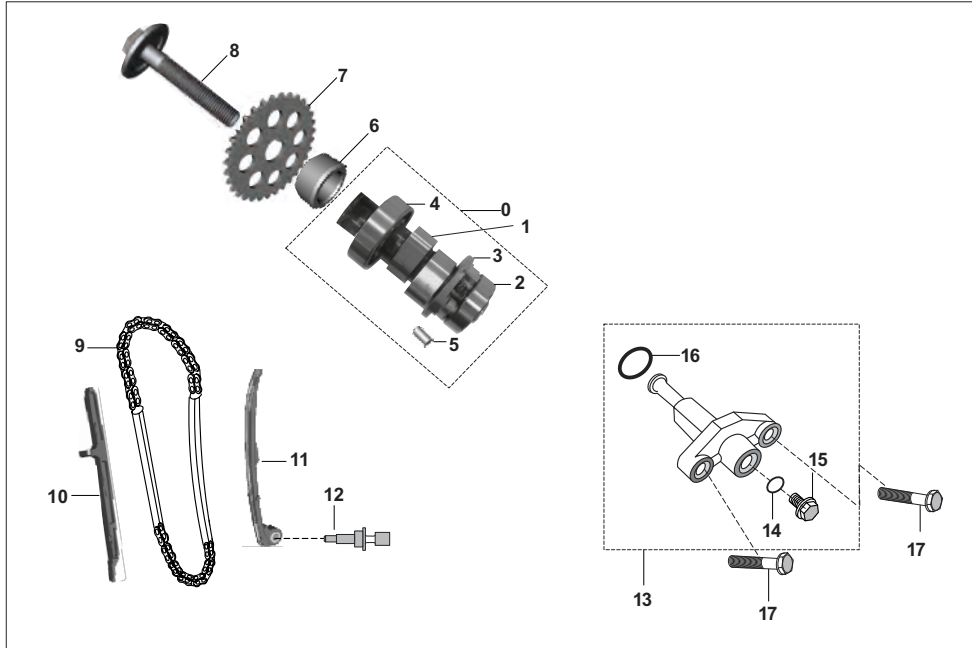
No.	Part No.	Description	QTY/VEH-205 D			205 X		Remarks
			PET	CNG	LPG	CNG	LPG	
0	AZ 5110 00	Assembly cylinder head	--	--	--	1	1	N.S
0	AA 1017 69	Assembly cylinder head	1	1	1	--	--	Ref. Cir. IB-49
	AA 1018 48	Assembly cylinder head	1	1	1	--	--	
1	AN 1011 38	Cylinder head	1	1	1	1	1	
2	39 1660 05	Stud - M8	2	2	2	2	2	
3	AN 1011 77	Head cover	1	1	1	1	1	
4	AN 1011 78	Seal head cover	1	1	1	1	1	N.S
	AA 1018 44	Seal head cover	1	1	1	1	1	Ref. Cir. IB-60
5	59 0400 38	Bolt - flanged	4	4	4	4	4	
6	39 1309 11	Plain washer	2	2	2	2	2	
7	AN 1310 07	Cap - oil filling	1	1	1	1	1	
8	39 1537 21	Ring - O	1	1	1	1	1	
9	AZ 5814 02	Manifold intake	--	--	--	1	1	
9	An 1212 01	Manifold intake	1	1	1	--	--	
	AA 1212 18	Manifold Intake	1	1	1	--	--	Ref. Cir. IB-61
	AA 1212 24	Manifold Intake	1	1	1	--	--	For Nigeria
10	AA 1018 38	Gasket Manifold	1	1	1	--	--	Ref. Cir. IB-61
	39 1283 21	Gasket Manifold	1	1	1	--	--	For Nigeria
11	39 1958 04	Bolt - flanged :- manifold	2	2	2	2	2	
12	AN 1011 49	Gasket head	1	1	1	1	1	
13	AZ 3512 07	Spark plug	2	2	2	2	2	
14	AN 1011 81	Sleeve spark plug	1	1	1	1	1	
15	39 2629 21	O ring spark plug	1	1	1	1	1	
16	39 1283 21	O ring spark plug	1	1	1	1	1	
17	39 2181 06	Hollow dowel pin	2	2	2	2	2	
18	39 1055 15	Hex nut	4	4	4	4	4	
19	39 0248 11	plain washer	4	4	4	4	4	
20	39 2608 01	Grub screw	1	1	1	1	1	

PLATE NO. 7 : ROCKER ARM ASSLY & VALVE

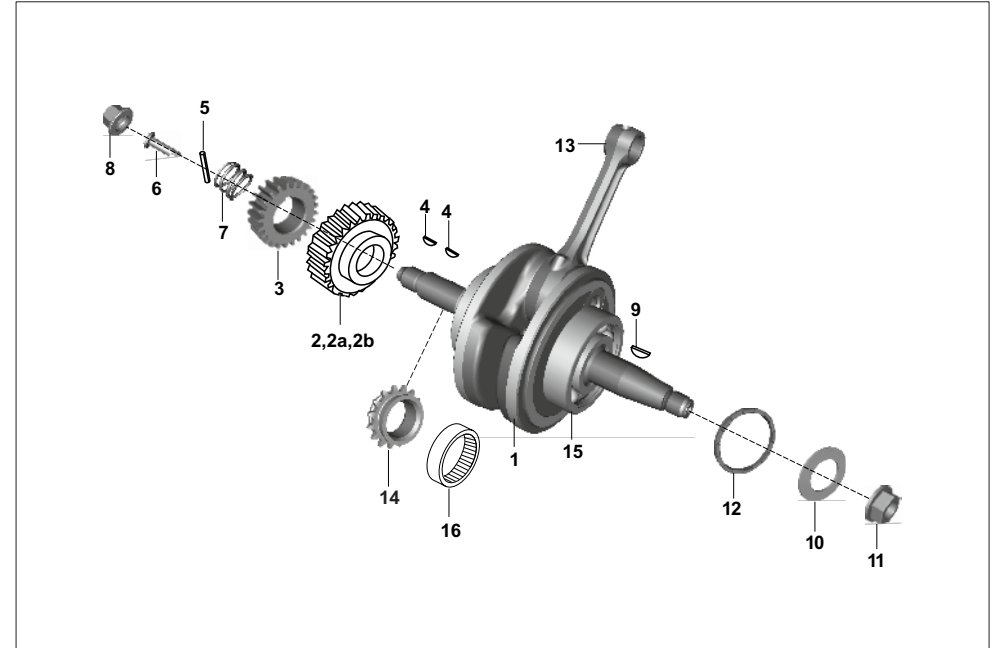
RE 45/4-STROKE
PETROL,CNG,LPG



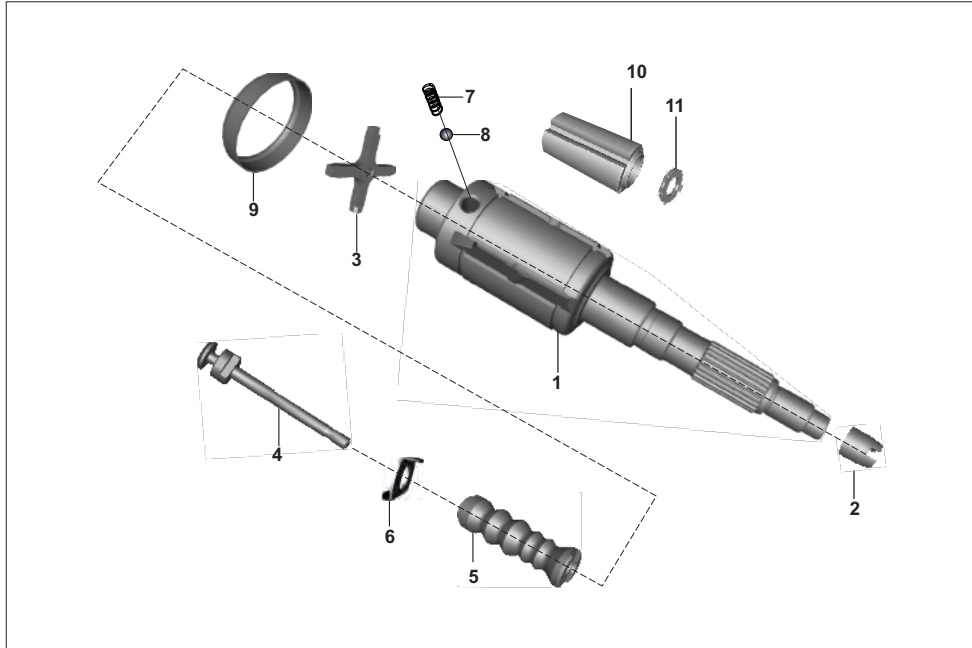
No.	Part No.	Description	QTY/VEH-205 D			205 X		Remarks
			PET	CNG	LPG	CNG	LPG	
1	AN 1014 18	Valve - intake	1	1	1	1	1	
2	AN 1014 31	Valve - exhaust	1	1	1	1	1	
3	39 2017 19	Seal valve stem	2	2	2	2	2	
4	AN 1011 40	Spring engine valve	2	2	2	2	2	
5	DG 1010 29	Collet	4	4	4	4	4	
6	DK 1012 47	Retainer valve spring	2	2	2	2	2	
7	AA 1018 43	Seat valve spring	2	2	2	2	2	
8	JL 5112 05	Shaft rocker arm intake	1	1	1	1	1	
9	DK 1017 51	Shaft rocker arm exhaust	1	1	1	1	1	
10	DK 1017 55	Rocker arm assly (roller)	2	2	2	2	2	
11	DF 1010 55	Screw - tappet (forged route)	2	2	2	2	2	
12	39 0973 15	Nut - hexagon :- M5 X 0.5	2	2	2	2	2	
13	AN 1011 47	Plate stopper	1	1	1	1	1	
14	DX 1010 74	Screw pan cross M6	1	1	1	1	1	



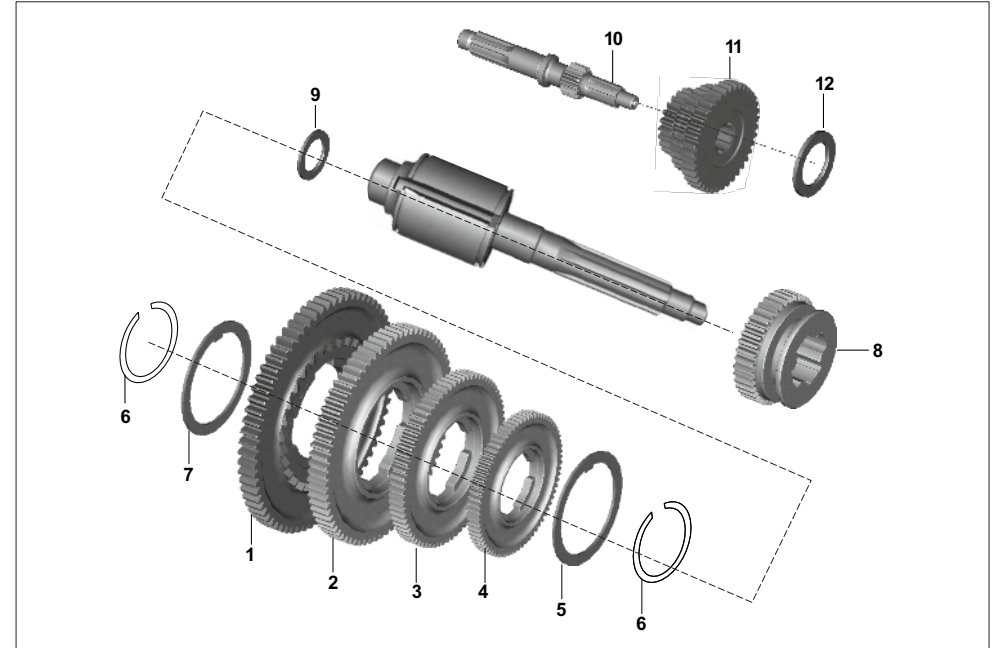
No.	Part No.	Description	QTY/VEH-205 D			205 X		Remarks
			PET	CNG	LPG	CNG	LPG	
0	AA 1017 68	Camshaft assy decomp	1	1	1	--	--	N.S
	AA 1018 47	Camshaft assy decomp	1	1	1	--	--	Ref. cir IB-49
0	AZ 5112 00	Camshaft assy decomp	--	--	--	1	1	N.S
1	AA 1017 67	Camshaft Assly	1	1	1	1	1	N.S
	AA 1018 46	Camshaft Assly	1	1	1	1	1	Ref. cir IB-49
2	39 1880 20	Bearing - Ball :- 15 X 32 X 9	1	1	1	1	1	
3	AN 1013 23	Decomp. Assembly	1	1	1	--	--	
4	39 2542 20	Bearing - Ball-15x42x13	1	1	1	1	1	
5	KH DA03 06	Pin dowel	1	1	1	--	--	
6	AA 1018 14	Collar - cam sprocket	1	1	1	1	1	
7	DS 1012 76	Sprocket - cam driven	1	1	1	1	1	
8	AN 1011 82	Bolt socket head	1	1	1	1	1	
9	DK 1010 64	Timing chain	1	1	1	1	1	
10	AN 1011 66	Guide chain	1	1	1	1	1	
11	AN 1012 57	Guide chain (tensioner Side)	1	1	1	1	1	
12	AN 1012 50	Pin guide chain	1	1	1	1	1	
13	DS 1012 77	Tensioner assly with O ring	1	1	1	1	1	
14	39 1790 21	'O' ring	1	1	1	1	1	
15	DD 1010 62	Bolt flange M6X1-L10	1	1	1	1	1	
16	39 1014 21	Ring - O	1	1	1	1	1	
17	39 1674 04	Flange bolt	2	2	2	1	1	



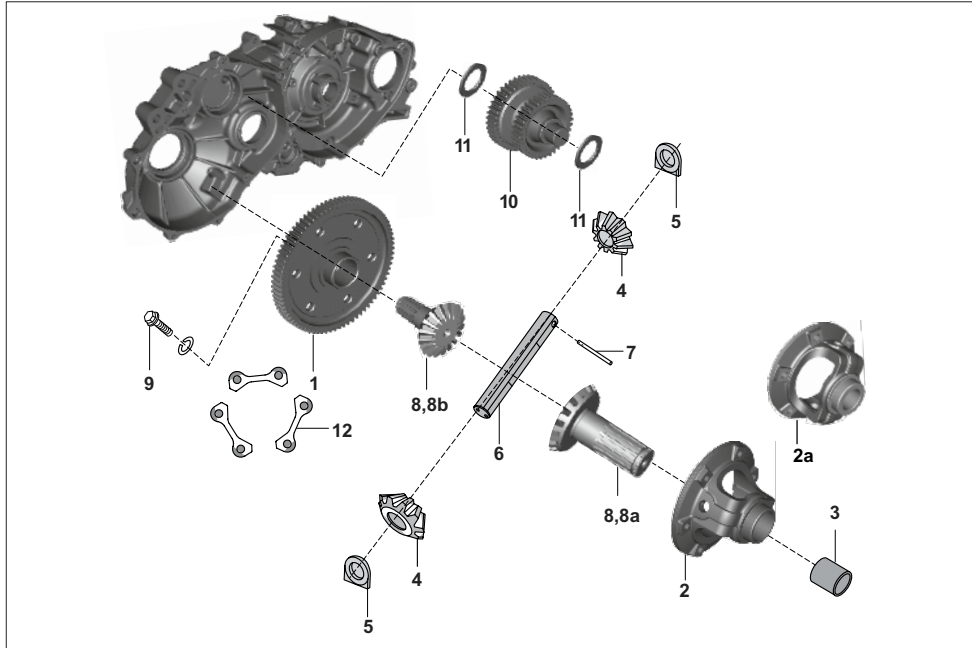
No.	Part No.	Description	QTY/VEH-205 D			205 X		Remarks
			PET	CNG	LPG	CNG	LPG	
1	AN 1011 52	Crank shaft assly	1	1	1	1	1	
2	AN 1013 42	Primary Pinion	1	1	1	--	--	
2a	AN 1013 43	Primary Pinion	--	--	--	1	--	
2b	AN 1013 41	Primary Pinion	--	--	--	--	1	
3	AA 1014 24	Oil pump drive gear	1	1	1	1	1	
4	31 1011 73	Key woodruff	2	2	2	2	2	
5	39 1927 07	Roller pin	1	1	1	1	1	
6	AA 1011 38	Plunger oil	1	1	1	1	1	
7	AA 1011 39	Spring plunger	1	1	1	1	1	
8	39 1885 15	Nut	1	1	1	1	1	
9	AA 1013 45	Woodruff key	1	1	1	1	1	
10	01 1006 12	Fan disc washer	1	1	1	1	1	
11	39 1053 15	Nut	1	1	1	1	1	
12	DK 1010 97	Damper spring	1	1	1	1	1	
13	DK 1010 67	Connecting Rod	1	1	1	1	1	
14	AN 1011 55	Sprocket - crankshaft	1	1	1	1	1	
15	39 1931 20	Bearing - Ball :- 28 X 68 X 18	2	2	2	2	2	
16	39 2153 20	Needle roller bearing	1	1	1	1	1	DK101067,AN101081,39215420



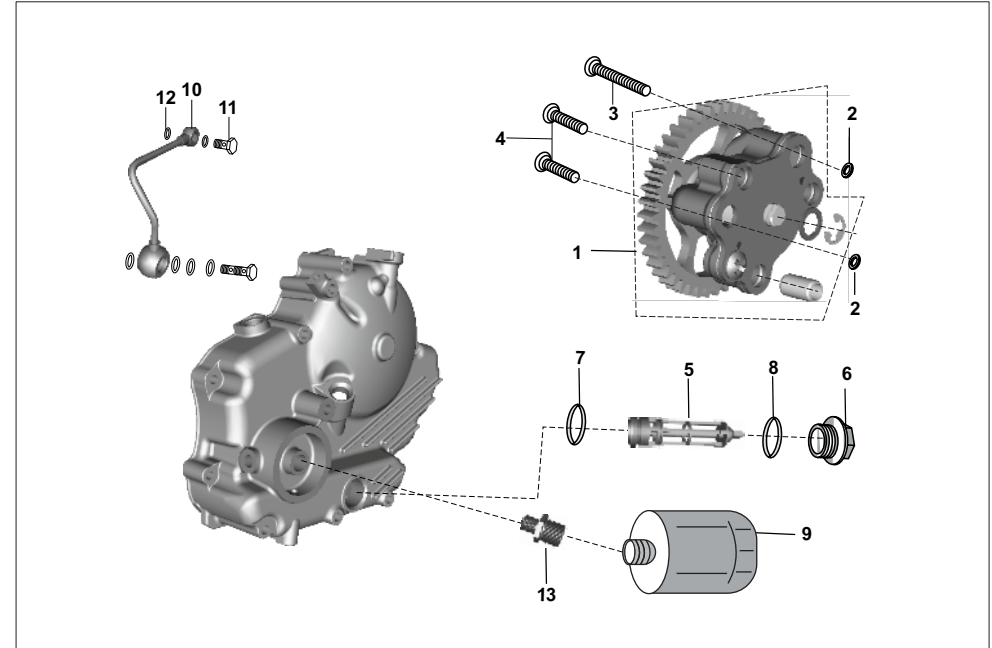
No.	Part No.	Description	QTY/VEH-205 D			205 X		Remarks
			PET	CNG	LPG	CNG	LPG	
1	AZ 5510 00	Main shaft assly	1	1	1	1	1	NS
	AN 1011 97	Main shaft	1	1	1	1	1	Alt for AZ551000
2	AA 1012 95	Drive bush	1	1	1	1	1	
3	AB 1010 67	Cross	1	1	1	1	1	
4	AA 1010 54	Guide stem	1	1	1	1	1	
5	AA 1011 08	Gear selector	1	1	1	1	1	
6	39 0213 11	Plain washer	1	1	1	1	1	
7	28 1010 38	Spring	2	2	2	2	2	
8	01 1801 23	Steel ball	2	2	2	2	2	
9	AA 1010 61	Cup gear shifter	1	1	1	1	1	
10	AN 1011 98	Sleeve, mainshaft	1	1	1	1	1	
11	AN 1012 00	Spacer, sleeve	1	1	1	1	1	



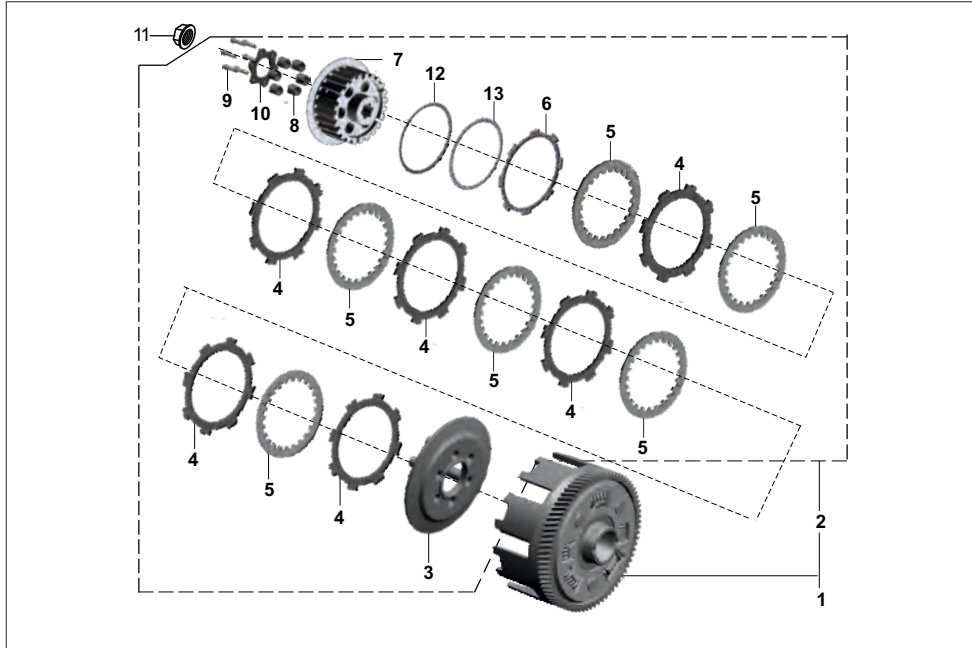
No.	Part No.	Description	QTY/VEH-205 D			205 X		Remarks
			PET	CNG	LPG	CNG	LPG	
1	AN 1013 79	1st speed gear	1	1	1	1	1	
2	AA 1017 80	2nd speed gear	1	1	1	1	1	
3	AA 1017 81	3rd speed gear	1	1	1	1	1	
4	AA 1017 82	4th speed gear	1	1	1	1	1	
5	15 1011 71	Spacer ring	1	1	1	1	1	
6	21 1007 11	Circlip	2	2	2	2	2	
7	01 1007 11	Shoulder ring No. 1	1	1	1	1	1	
7a	01 1007 12	Shoulder ring No. 2	1	1	1	1	1	
7b	01 1007 13	Shoulder ring No. 3	1	1	1	1	1	
7c	01 1007 14	Shoulder ring No. 4	1	1	1	1	1	
8	AN 1013 28	Reverse control gear	1	1	1	1	1	
9	AA 1010 55	Thrust washer	1	1	1	1	1	
10	AN 1013 39	Multiple gear shaft	1	1	1	1	1	
11	AA 1017 79	Multiple gear	1	1	1	1	1	
12	AN 1013 47	Thrust washer (M.G.Shaft)	1	1	1	1	1	



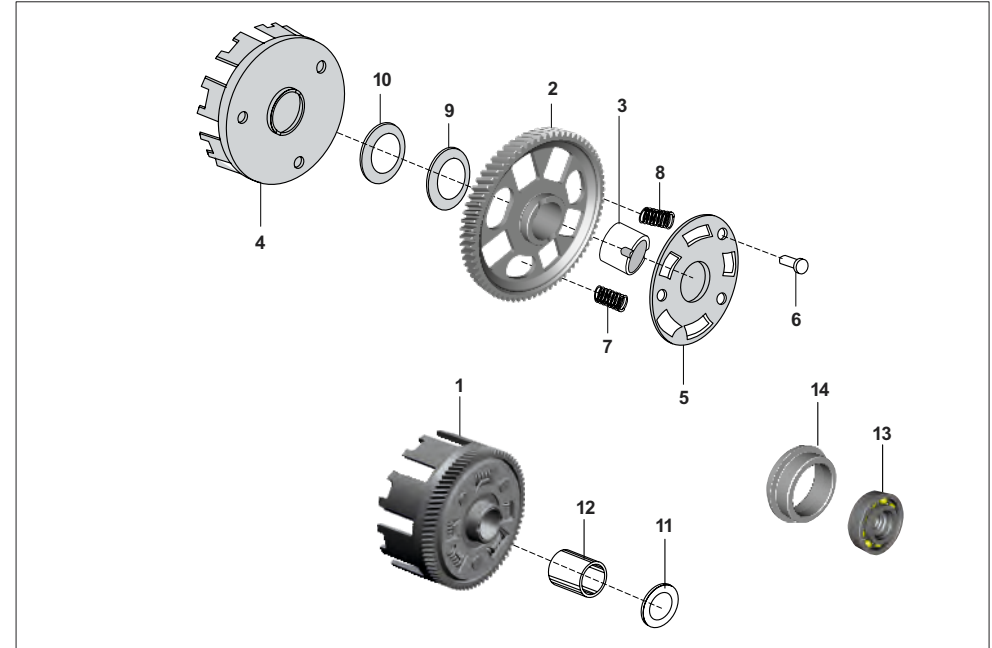
No.	Part No.	Description	QTY/VEH-205 D			205 X		Remarks
			PET	CNG	LPG	CNG	LPG	
1	AN 1013 36	Differential gear	1	1	1	-	-	
1	AN 1013 54	Differential gear	-	-	-	1	1	
2	AA 1310 33	Satellite gear hsg. assly	1	1	1	-	-	
2a	AN 1013 55	Satellite gear hsg. assly	--	--	--	1	1	
3	24 1301 11	Bush bevel gear housing	1	1	1	-	-	
4	22 1310 18	Satellite gear	2	2	2	2	2	
5	22 1310 14	Spacer	2	2	2	2	2	
6	24 1310 32	Bevel gear pin	1	1	1	1	1	
7	24 1301 13	Pin	1	1	1	1	1	
8	24 1310 09	Bevel gear	2	2	2	-	-	
8a	AZ 5512 00	Gear bevel sg. Hsg. Side	--	--	--	1	1	AN 1013 49
8b	AZ 5512 01	Gear bevel diff. Gear side	--	--	--	1	1	AN 1013 50
9	39 0435 01	Screw hexagon head	6	6	6	6	6	
10	AN 1013 38	Idler gear	1	1	1	1	1	
11	AA 1010 58	Thrust washer (Idler gear)	2	2	2	2	2	
12	22 1703 45	Lock plate	3	3	3	3	3	alt-22171080
13	AN 1013 37	Assembly differential gear	1	1	1	-	-	
13	AN 1013 56	Assembly differential gear (cv)	-	-	-	1	1	



No.	Part No.	Description	QTY/VEH-205 D			205 X		Remarks
			PET	CNG	LPG	CNG	LPG	
1	AA 1210 60	Pump assly oil	1	1	1	1	1	
2	39 1013 21	'O' ring	2	2	2	2	2	
3	39 0730 01	Screw pan	1	1	1	1	1	
4	39 0748 01	Screw pan	2	2	2	2	2	
5	JA 5410 19	Mesh filter oil pump	1	1	1	1	1	
6	28 1010 22	Cap - strainer	1	1	1	1	1	
7	JA 5410 20	O-ring mesh filter oil pump	1	1	1	1	1	
8	39 1657 21	Ring - O	1	1	1	1	1	
9	AN 1011 90	Filter assembly - Oil	1	1	1	1	1	
10	AN 1012 32	Pipe Complete, Banjo	1	1	1	1	1	
11	AN 1011 88	Bolt special, clutch cover	1	1	1	1	1	
12	31 1210 06	Gasket	2	2	2	2	2	
13	EC 5410 04	Adapter oil filter	1	1	1	1	1	



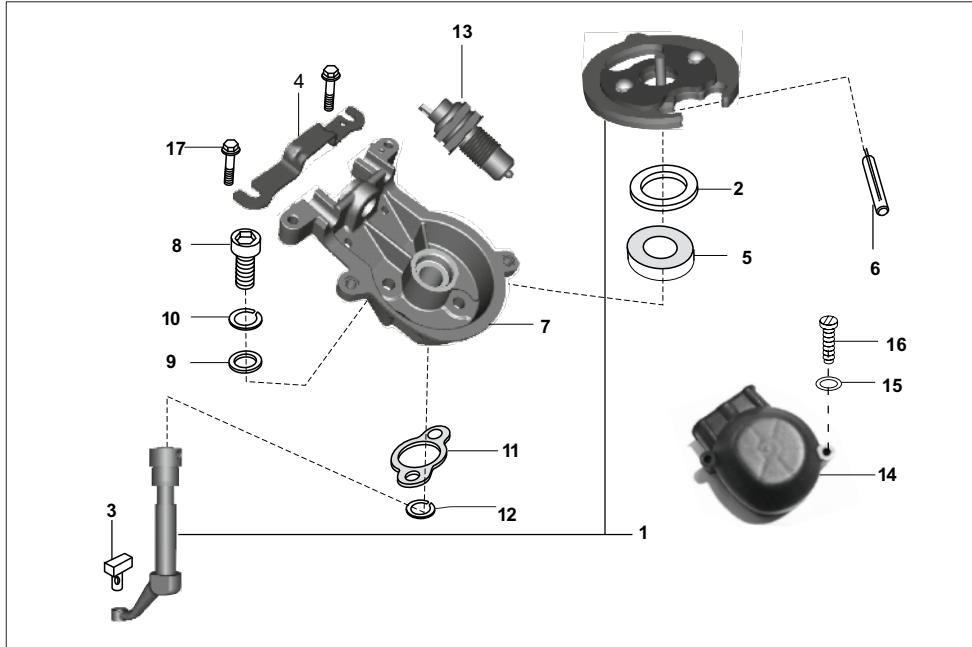
No.	Part No.	Description	QTY/VEH-205 D			205 X		Remarks
			PET	CNG	LPG	CNG	LPG	
1	AA 1015 98	Clutch comp	1	1	1	-	-	
1a	AA 1014 69	Clutch comp	--	--	--	1	-	
1b	AA 1015 93	Clutch comp	--	--	--	--	1	
2	AA 1014 70	Clutch plate assly	1	1	1	1	1	
3	AA 1014 71	Wheel clutch	1	1	1	1	1	
4	36 AA40 25	Plate friction	6	6	6	6	6	(Aa101478)
5	AA 1014 72	Plate clutch	6	6	6	6	6	
6	JZ 5514 17	Plate friction reduced htts	1	1	1	1	1	
7	AA 1014 73	Hub clutch	1	1	1	1	1	
8	AA 1012 16	Spring clutch	6	6	6	6	6	alt-AA101364
9	39 0980 04	Hex bolt	6	6	6	6	6	
10	AA 1014 74	Holder clutch	1	1	1	1	1	
11	39 1938 15	Flange nut	1	1	1	1	1	
12	JA 5514 21	Plate judder	1	1	1	1	1	
13	JA 5514 22	Spring judder	1	1	1	1	1	



No.	Part No.	Description	QTY/VEH-205 D			205 X		Remarks
			PET	CNG	LPG	CNG	LPG	
1	AA 1015 99	Clutch Housing assly	1	1	1	-	-	
1a	AA 1010 63	Clutch housing assly	--	--	--	1	-	
1b	AA 1015 92	Clutch Housing assly	--	--	--	--	1	
2	AA 1016 00	Gear primary helical	1	1	1	-	-	N.S alt for AA101600
	AA 1015 99	Gear primary helical	1	1	1	-	-	
2a	AA 1010 06	Gear primary helical	--	--	--	1	-	
2b	AA 1015 91	Gear Primary Helical	--	--	--	--	1	
3	AA 1010 09	Bush gear primary	1	1	1	1	1	
4	AA 1012 07	Housing clutch	1	1	1	1	1	
5	AA 1011 42	Holder	1	1	1	1	1	
6	39 1033 09	Rivet	3	3	3	3	3	
7	AA 1014 00	Spring damper	3	3	3	3	3	
8	AA 1014 01	Spring damper	2	2	2	2	2	
9	31 1011 41	Spring (Beleville washer)	1	1	1	1	1	
10	39 1057 11	Plain washer	1	1	1	1	1	
11	39 2008 11	Plain washer	1	1	1	1	1	
12	AA 1012 13	Collar	1	1	1	1	1	
13	DH 1017 95	Clutch lifter bearing	1	1	1	1	1	
14	AN 1013 61	Plate holder	1	1	1	1	1	

PLATE NO. 16 : GEAR SHIFTER ASSLY.

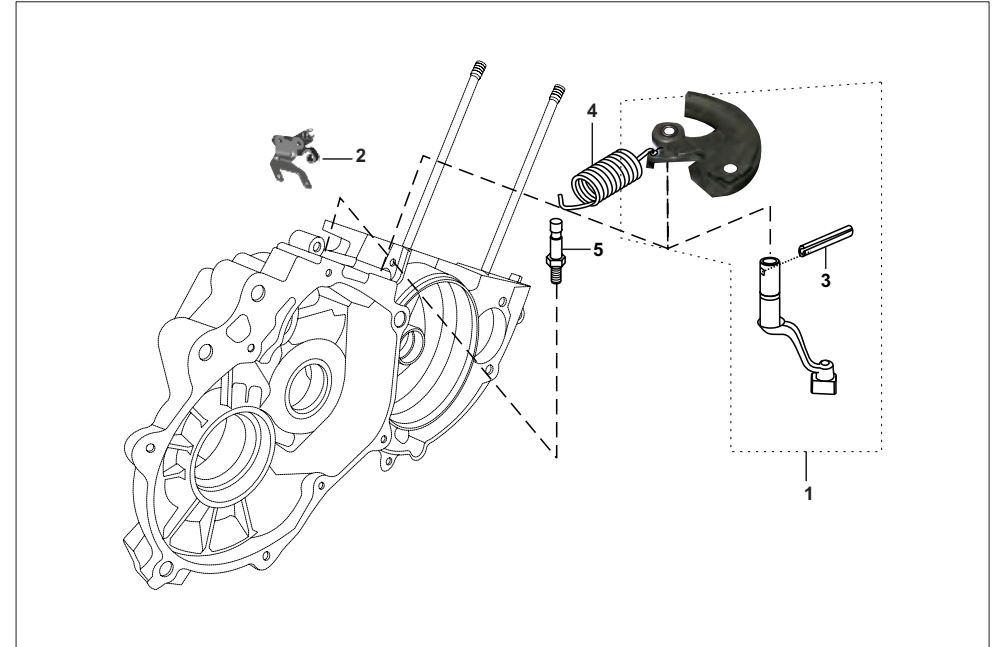
RE 45/4-STROKE
PETROL,CNG,LPG



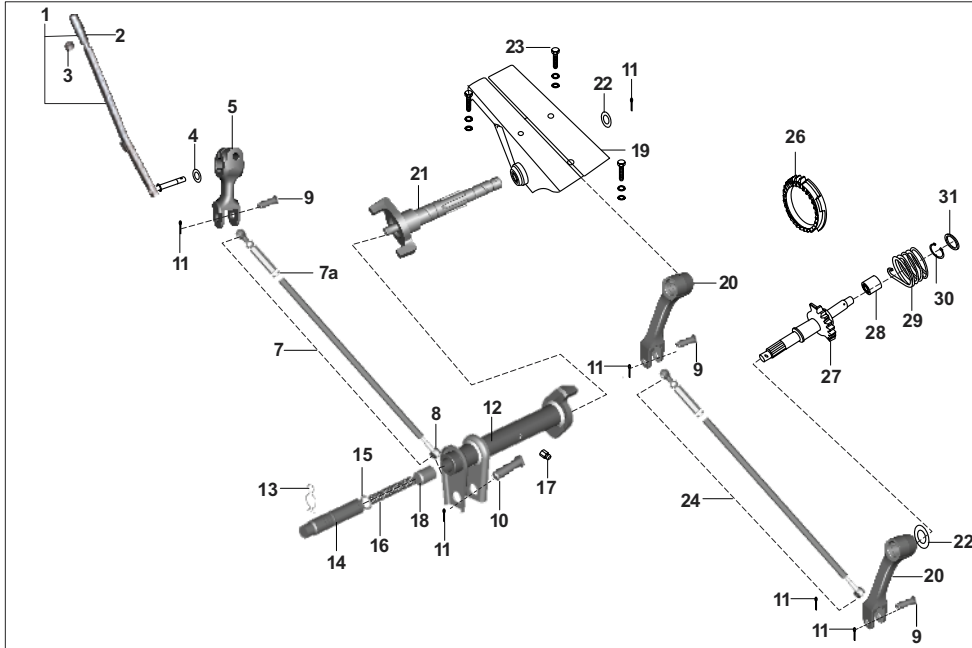
No.	Part No.	Description	QTY/VEH-205 D			205 X		Remarks
			PET	CNG	LPG	CNG	LPG	
1	AA 1017 36	Sector with lever	1	1	1	1	1	
2	39 0550 11	Plain washer*	1	1	1	1	1	
3	BA 1321 41	Slider block	1	1	1	1	1	
4	AA 1016 65	bracket fix end cable guide	1	1	1	1	1	
5	39 1046 19	Seal oil	1	1	1	1	1	
6	39 0426 06	Spring type straight pin	1	1	1	1	1	
7	AA 1018 19	Flange (Gear shifter)	1	1	1	1	1	
8	39 1197 04	Bolt socket	2	2	2	2	2	
9	39 0198 11	Plain washer	2	2	2	2	2	
10	39 1826 12	Spring washer	2	2	2	2	2	
11	AA 1010 84	Gasket sector flange	1	1	1	1	1	
12	39 0804 11	Plain washer	2	2	2	2	2	
13	AP 1110 23	Switch neutral	1	1	1	1	1	
14	AA 1018 21	Cover (Gear shifter)	1	1	1	1	1	AA101258
15	39 0197 11	Plain washer	2	2	2	2	2	
16	LB U000 15	Screw pan cross	2	2	2	2	2	
17	LA D000 17	Bolt flanged cable guide	2	2	2	2	2	N.S
	39 2060 04	Bolt flanged cable guide	2	2	2	2	2	Alternate

PLATE NO. 17 : SECTOR COMPLETE - REVERE GEAR

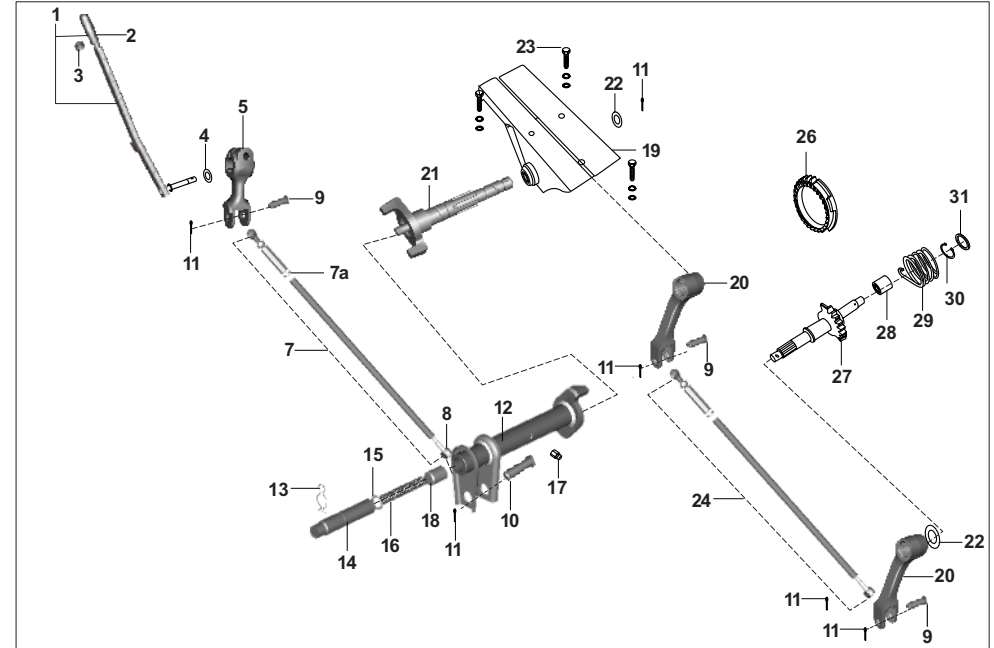
RE 45/4-STROKE
PETROL,CNG,LPG



No.	Part No.	Description	QTY/VEH-205 D			205 X		Remarks
			PET	CNG	LPG	CNG	LPG	
1	AN 1013 00	Assly sector comp rev control	1	1	1	1	1	
2	AN 1013 05	Bracket -cable reverse control	1	1	1	1	1	
3	39 0426 06	Spring type straight pin	1	1	1	1	1	
4	AN 1310 22	Tension spring	1	1	1	1	1	
5	AA 1012 12	Pin for tension spring	1	1	1	1	1	
6	AA 1017 34	Bush sintered	1	1	1	1	1	NI



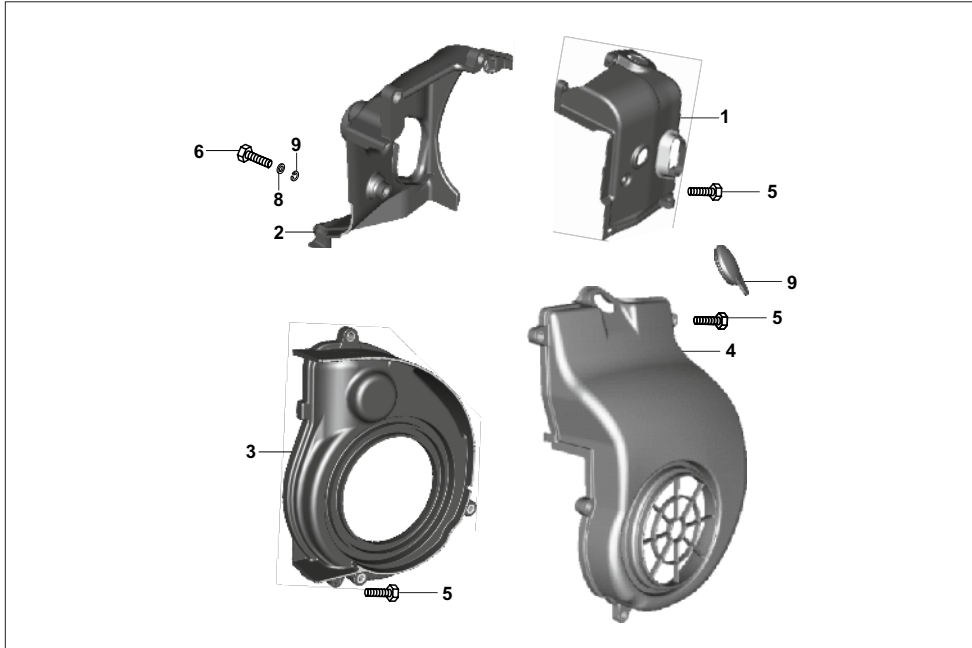
No.	Part No.	Description	QTY/VEH-205 D			205 X		Remarks
			PET	CNG	LPG	CNG	LPG	
1	AZ 6210 19	Starting handle with grip	1	1	1	-	-	
2	22 1011 15	Starting handle grip	1	1	1	-	-	
3	DG 1611 24	Damper	1	1	1	-	-	
4	24 1014 14	Washer	1	1	1	-	-	
5	AA 1013 29	Lever driver side	1	1	1	-	-	
6	39 1389 04	Bolt M8	1	1	1	-	-	
7	AZ 6210 11	Tube connecting-1 assy	1	1	1	-	-	
7a	24 1014 19	Nut Hex Lh	1	1	1	-	-	
8	24 1017 20	Bush for eye pin	2	2	2	-	-	
9	24 1014 22	Pin	3	3	3	-	-	
10	24 1014 21	Pin	1	1	1	-	-	
11	39 0799 08	Pin cotter	5	5	5	-	-	
12	AZ 6210 16	Tube starting assy.-hand start	1	1	1	-	-	
13	21 1014 29	Spring clip	1	1	1	-	-	
14	AA 1012 77	Pin support - hand start	1	1	1	-	-	
15	03 1801 16	Ring O	1	1	1	-	-	
16	21 1014 27	Spring	1	1	1	-	-	
17	23 1613 05	Grease nipple	1	1	1	-	-	
18	22 1014 23	Plug	1	1	1	-	-	
19	AA 1012 97	Assly supp.comp -hand start	1	1	1	-	-	N.S



No.	Part No.	Description	QTY/VEH-205 D			205 X		Remarks
			PET	CNG	LPG	CNG	LPG	
20	AZ 6212 02	Lever starter	2	2	2	-	-	
21	AA1012 89	Spindle assy - hand start	1	1	1	-	-	
22	39 0240 11	Washer plain	2	2	2	-	-	
23	39 1556 04	Hex hd bolt/flange-m8	3	3	3	-	-	
24	AA 1013 47	Tube conctg ii assy	1	1	1	-	-	
25	24 1015 72	Bush - nylon for eye bolt	4	4	4	-	-	N.S
26	Aa 1011 22	Starter gear	1	1	1	-	-	
27	Aa 1012 86	Sector gear assly	1	1	1	-	-	
28	Aa 1012 15	Guide spring	1	1	1	-	-	
29	Aa 1012 09	Torsional spring	1	1	1	-	-	
30	30 1010 53	Circlip	1	1	1	-	-	
31	AZ 6210 22	Support asy with spindle & lever	1	1	1	-	-	

PLATE NO. 19 : COWLING

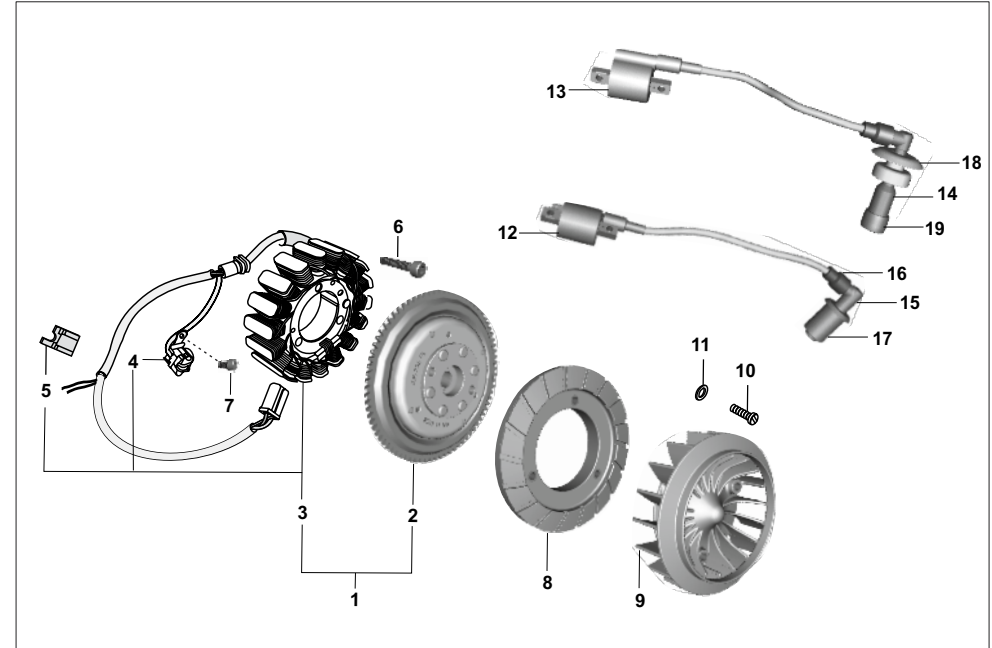
RE 45/4-STROKE
PETROL,CNG,LPG



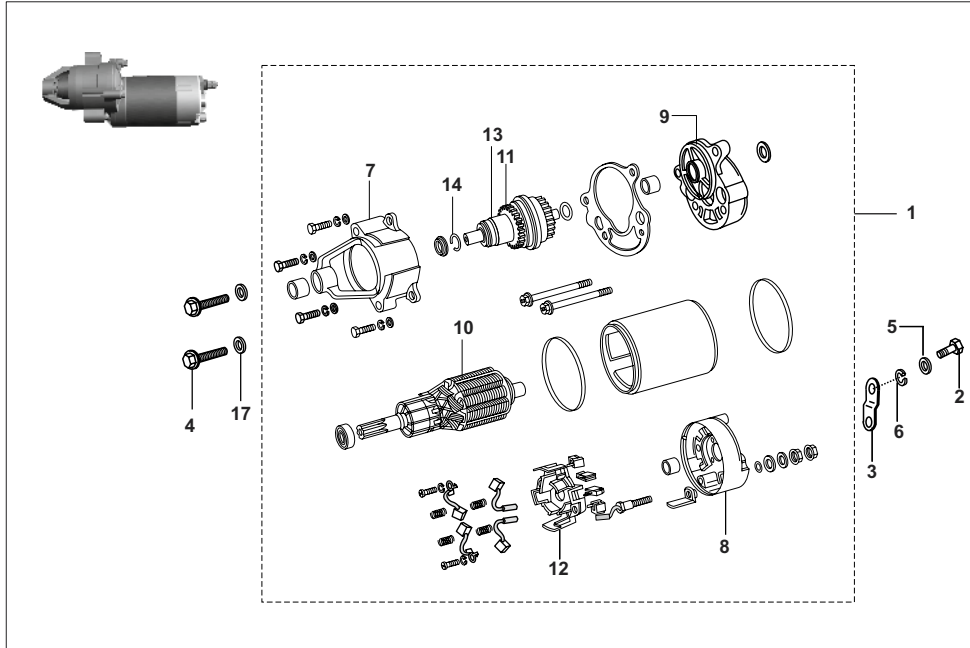
No.	Part No.	Description	QTY/VEH-205 D			205 X		Remarks
			PET	CNG	LPG	CNG	LPG	
1	AN 1011 62	Cowling Intake Side	1	1	1	1	1	
2	AN 1011 83	Cowling exhaust	1	1	1	1	1	
3	AN 1012 03	Internal cowling comp	1	1	1	1	1	
4	AN 1011 65	Fan cover	1	1	1	1	1	
5	39 1673 04	Flange Bolt -m6	10	10	10	10	10	
6	39 1065 04	Bolt - flanged :- small	3	3	3	3	3	
7	39 0732 12	Washer - spring	3	3	3	3	3	
8	39 0198 11	Washer plain	3	3	3	3	3	
9	GF 1011 39	Grommet	1	1	1	1	1	
10	39 1074 04	Bolt - flanged :- small	1	1	1	1	1	
	LA E000 23	Bolt Flange Pre-coated	3	3	3	3	3	

PLATE NO. 20 : MAGNETO ASSEMBLY ,H.T COIL

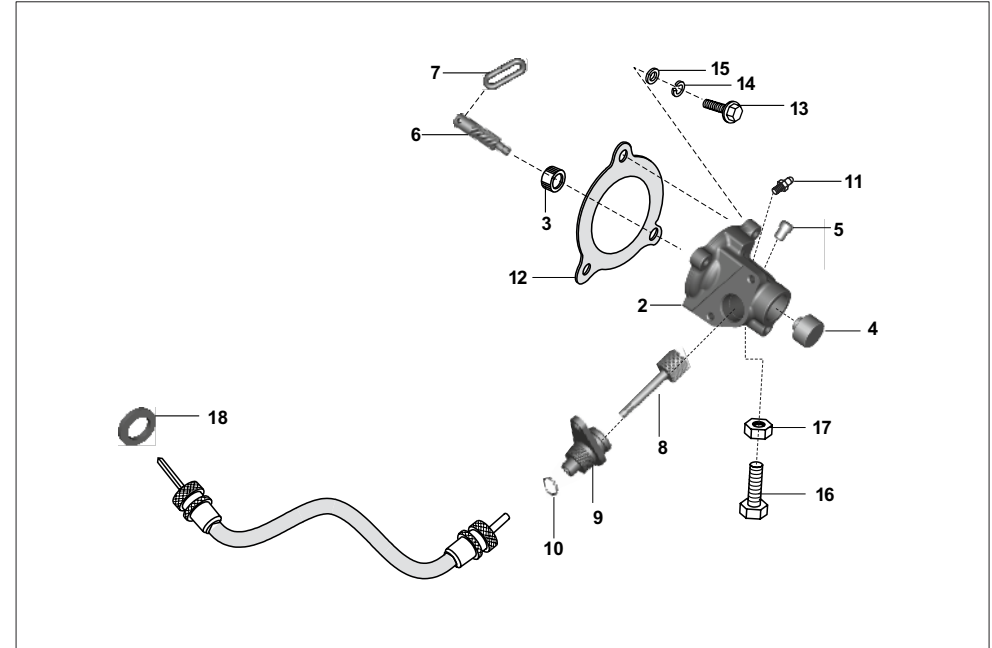
RE 45/4-STROKE
PETROL,CNG,LPG



No.	Part No.	Description	QTY/VEH-205 D			205 X		Remarks
			PET	CNG	LPG	CNG	LPG	
1	AN 1110 08	Magneto assly	1	1	1	1	1	
2	AN 1110 09	Rotor assly	1	1	1	1	1	
3	AN 1110 13	Stator assly	1	1	1	1	1	
4	AN 1110 12	Pulser coil(200cc)	1	1	1	1	1	
5	AA 1012 20	Grommet for pickup	1	1	1	1	1	
6	AP 1012 10	Bolt socket	3	3	3	3	3	
7	39 1981 04	Bolt-flanged-small	2	2	2	2	2	
8	AN 1012 02	Fan base	1	1	1	1	1	
9	AN 1011 57	Fan	1	1	1	1	1	
10	39 2147 04	Bolt Flange small	3	3	3	3	3	
11	39 0198 11	Plain washer	3	3	3	3	3	
12	AN 1110 17	H. T. Coil with cable - lh	1	1	1	1	1	An111019
13	AN 1110 18	H. T. Coil with cable - rh	1	1	1	1	1	An111020
14	AN 1110 15	Spark plug cap rh	1	1	1	1	1	
15	CB 1110 08	Spark plug cap lh	1	1	1	1	1	
16	DD 1110 12	Grommet For H. T. Cable	2	2	2	2	2	
17	AN 1012 58	Spark plug cap rubber lh	1	1	1	1	1	
18	AN 1012 39	Rubber sleeve spark plug cap rh	1	1	1	1	1	
19	DH 1110 13	Spark plug cap rubber rh	1	1	1	1	1	



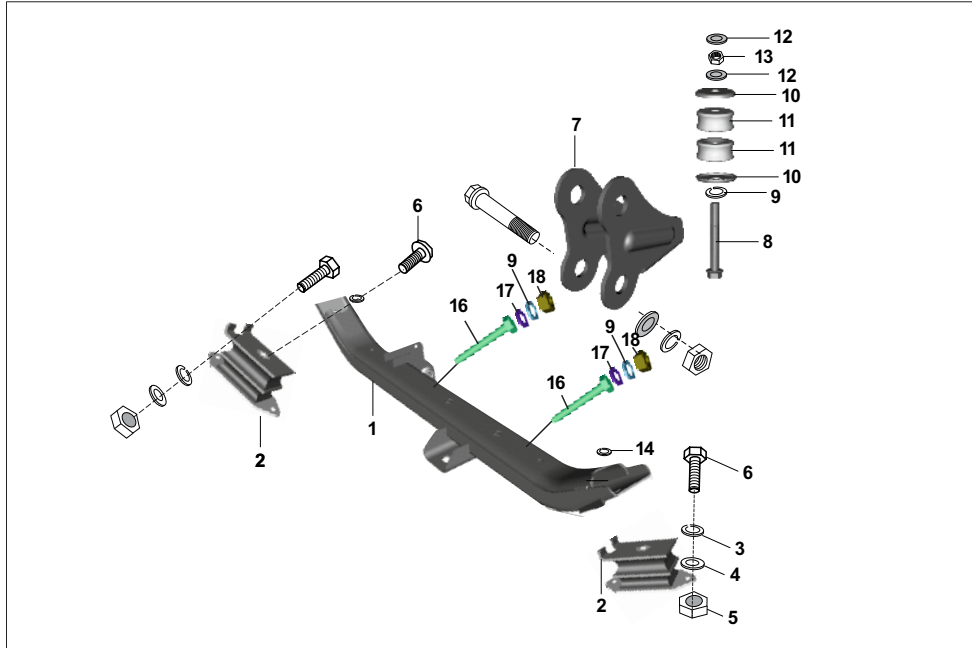
No.	Part No.	Description	QTY/VEH-205 D			205 X		Remarks
			PET	CNG	LPG	CNG	LPG	
1	AA 1110 92	Starter motor Varroc make	1	1	1	1	1	
	AF 1110 21	Starter motor	1	1	1	1	1	from Eng. AZZWDJ21962
2	39 1940 04	Flange bolt	1	1	1	1	1	ALT-39167304
3	AA 1110 67	Support bracket assly.	1	1	1	1	1	
4	KA CA08 35	Hex flange bolt	2	2	2	2	2	KACC0835
5	39 0200 11	Plain washer	2	2	2	2	2	
	39 1211 11	Plain washer	2	2	2	2	2	alt for 39020011
6	39 1826 12	Spring washer	1	1	1	1	1	
7	AA 1110 93	Drive end bracket	1	1	1	1	1	
8	AA 1110 79	Rear end cover	1	1	1	1	1	
9	AA 1110 81	Intermediate bracket Assly	1	1	1	1	1	
10	AA 1110 82	Armature assly.	1	1	1	1	1	
11	AA 1110 94	Gear shaft assly(exend casting)	1	1	1	1	1	
11	AA 1110 95	Gear shaft unit(exend casting)	1	1	1	1	1	
12	AA 1110 85	Brush box assly.	1	1	1	1	1	
13	AA 1110 86	Spring pinion return	1	1	1	1	1	
14	AA 1110 87	Circlip -drive assembly	1	1	1	1	1	
15	AA 1110 80	Bracket end cover	1	1	1	1	1	



No.	Part No.	Description	QTY/VEH-205 D			205 X		Remarks
			PET	CNG	LPG	CNG	LPG	
0	AA 1017 43	Assembly faremeter complete	1	1	1	1	1	
1	AA 1610 89	Bracket faremeter- coupler	1	1	1	1	1	NI
2	AA 1017 45	Fare meter housing assly	1	1	1	1	1	Incl. item 3, 4 & 5
3	24 1310 07	Bush	1	1	1	1	1	
4	24 1310 08	Plug	1	1	1	1	1	
5	03 1701 09	Pin	1	1	1	1	1	
6	AA 1017 50	Faremeter pinion	1	1	1	1	1	
7	24 1310 03	Wire	1	1	1	1	1	
8	24 1302 09	Faremeter gear	1	1	1	1	1	
9	AA 1017 42	Bush	1	1	1	1	1	
10	39 1587 21	O ring (speedo adaptor)	1	1	1	1	1	
11	23 1613 05	Grease nipple	1	1	1	1	1	
12	AA 1310 04	Gasket	1	1	1	1	1	
13	59 0400 29	Bolt	3	3	3	3	3	
14	39 1830 12	Washer - Spring	3	3	3	3	3	
15	39 0197 11	Washer - Plain	3	3	3	3	3	
16	KA DA05 12	Hex bolt	1	1	1	1	1	
17	39 0292 15	Hex nut	1	1	1	-	-	
18	AA 1017 47	Seal rubber-faremeter cable	1	1	1	1	1	

PLATE NO. 23 : ENGINE MOUNTING

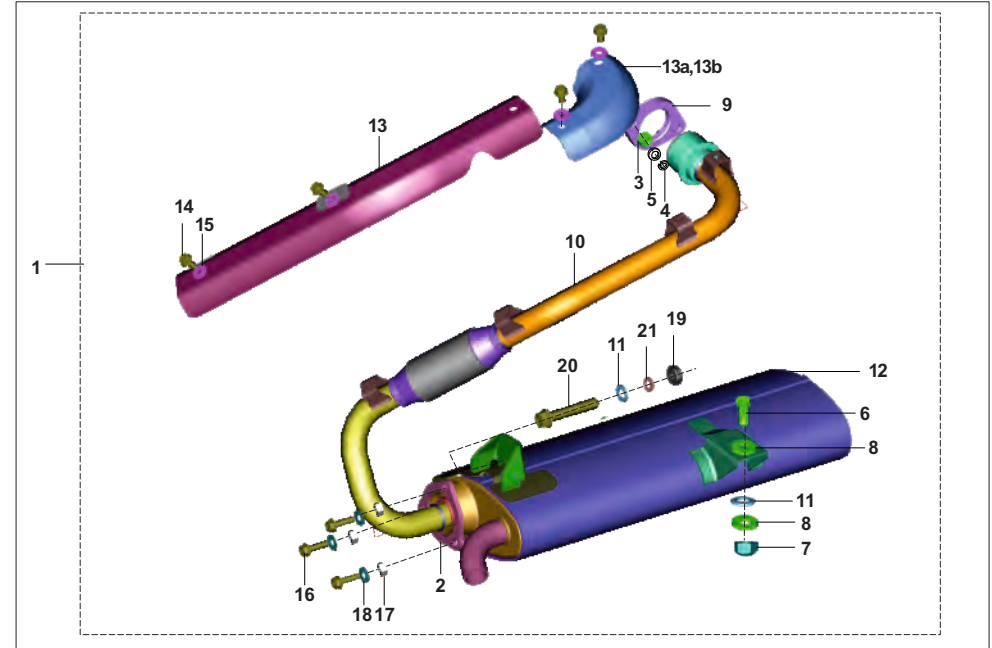
RE 45/4-STROKE
PETROL,CNG,LPG



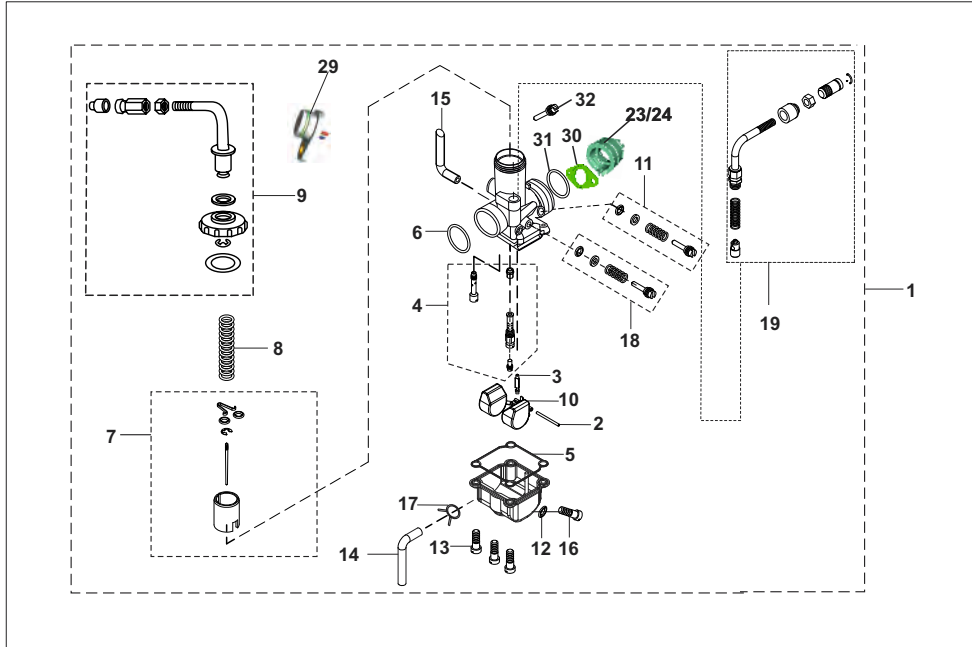
No.	Part No.	Description	QTY/VEH-205 D			205 X		Remarks
			PET	CNG	LPG	CNG	LPG	
1	AA 1612 20	Engine mounting member rear	1	1	1	-	-	Alternate
1	AZ 1134 02	Engine mounting member rear	-	-	-	1	1	
2	BA 1021 60	Rubber isolator (GB)	2	2	2	2	2	
3	39 0263 12	Spring washer	4	4	4	4	4	
	39 0732 12	Spring washer	4	4	4	4	4	
4	39 0198 11	Plain washer	4	4	4	4	4	
5	39 0834 15	Flange nut	4	4	4	-	-	
6	39 1944 04	Screw - hexagon head	4	4	4	4	4	
6	39 1079 01	Screw - hexagon head	-	-	-	4	4	
7	AA 1011 94	Bracket front mounting	1	1	1	1	1	
8	24 1610 03	Bolt flanged	1	1	1	1	1	
9	39 1829 12	Spring washer	4	4	4	4	4	
10	21 1604 17	Reinforcement plate	2	2	2	2	2	
11	24 1609 24	Rubber plug	2	2	2	2	2	
12	39 0248 11	Plain washer	3	3	3	3	3	
13	39 0296 15	Hex nut	1	1	1	1	1	
14	39 1792 11	Washer	2	2	2	2	2	
15	39 0251 11	Washer plain	-	-	-	1	1	
16	39 2393 04	Bolt	2	2	2	-	-	
17	39 1705 11	Washer- special	4	4	4	-	-	
18	LC A000 04	Bolt Socket	2	2	2	-	-	

PLATE NO. 24 : SILENCER ASSEMBLY

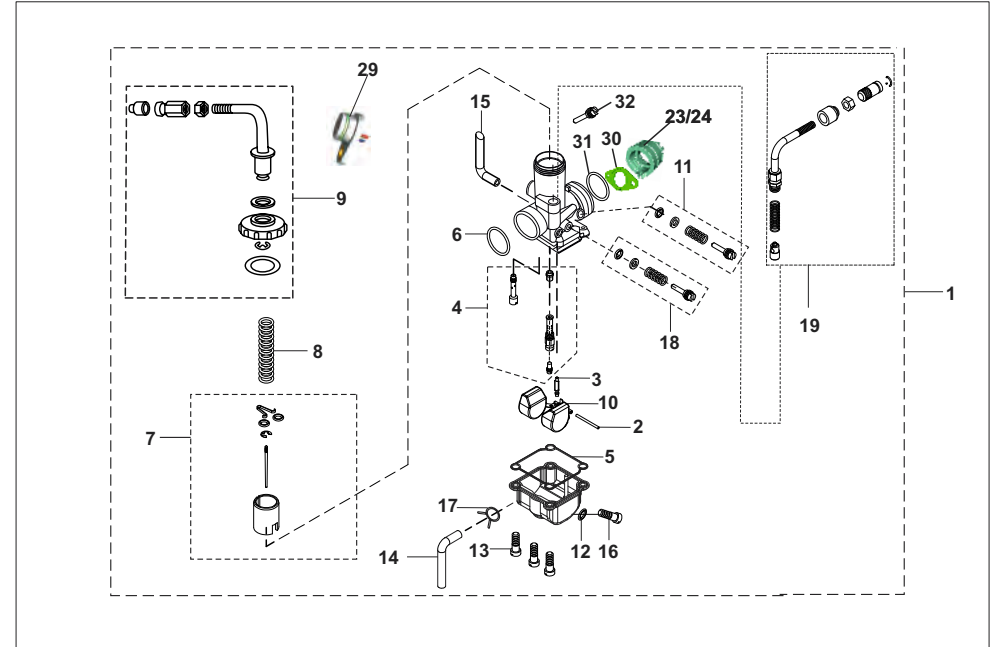
RE 45/4-STROKE
PETROL,CNG,LPG



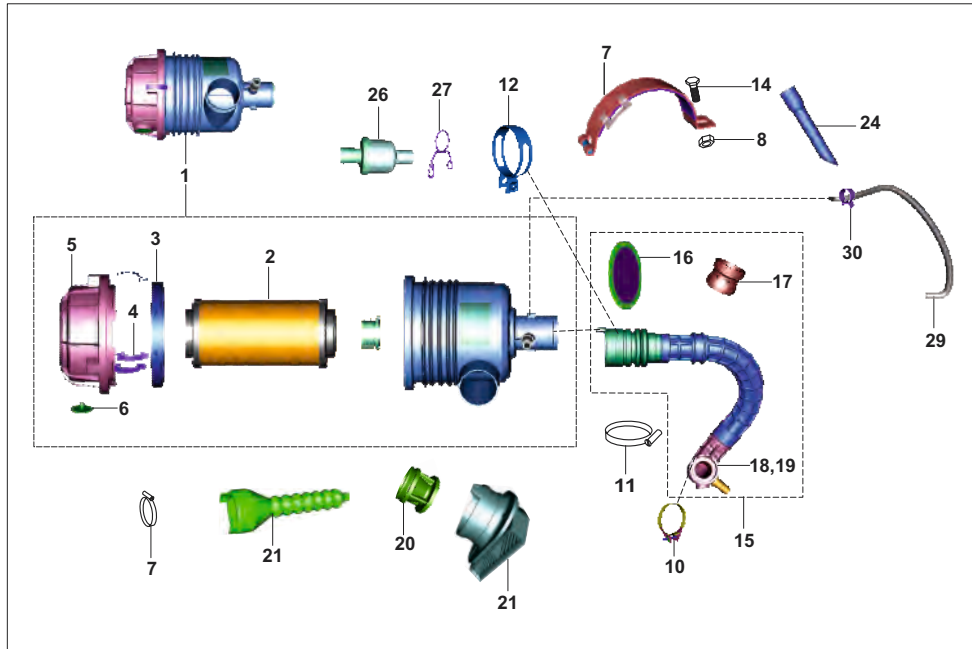
No.	Part No.	Description	QTY/VEH-205 D			205 X		Remarks	
			PET	CNG	LPG	CNG	LPG		
1	AA 1017 86	Silencer assy. Complete	1	1	1	-	-	with CAT, Euro II Non CAT N.S	
	AA 1017 54	Silencer assy. Complete	1	1	1	-	-		
1	AZ 5910 10	Silencer assy. Complete	-	-	-	1	1	alt for 39031215	
2	DJ 1010 64	Gasket - exhaust	1	1	1	1	1		
3	39 0289 15	Nut - hexagon :- M8 X 1.25	2	2	2	2	2		
4	39 1828 12	Washer - spring	2	2	2	2	2		
5	39 1582 11	Washer - plain	2	2	2	2	2		
6	39 0080 04	Bolt - hexagon head	1	1	1	1	1		
7	39 0312 15	Nut - hexagon :- M10 X 1.5	2	2	2	2	2		
	39 0296 15	Nut - hexagon :- M10 X 1.5	2	2	2	2	2		
8	LD B000 32	Washer - plain	3	3	3	3	3		
9	AA 1012 83	Gasket -silencer	1	1	1	1	1		
10	AA 1017 87	Assembly exhaust tube	1	1	1	-	-		
	AA 1017 55	Assembly exhaust tube	1	1	1	-	-		
	AZ 5910 11	Assembly - exhaust tube	-	-	-	1	1		
11	39 1829 12	Washer - spring	2	2	2	2	2		
12	AZ 5910 14	Muffler assy. complete	1	1	1	1	1		
12A	AA 1018 11	Muffler assy. complete	1	-	-	-	-		NS
13	AN 1013 22	Shield exhaust tube	1	1	1	-	-		
13a	AZ 5910 15	Shield heat - 2	-	-	-	1	1		
13b	AZ 5910 16	Shield heat - 1	-	-	-	1	1		
	AA 1018 41	Shield heat - 1	1	1	1	-	-		
14	KA DD06 12	Bolt flanged	2	2	2	2	2		
15	39 0711 11	Washer - plain	2	2	2	2	2		
16	39 1070 01	Bolt flanged	3	3	3	3	3		
17	39 0798 15	Nut hex m6	3	3	3	3	3		
18	39 1826 12	Washer spring	3	3	3	3	3		
19	39 1336 15	Nut - hexagon with flange :- M6	1	1	1	1	1		
20	KA DD10 60	Bolt flanged	1	1	1	1	1		
21	39 2588 11	Washer plain	1	1	1	1	1		



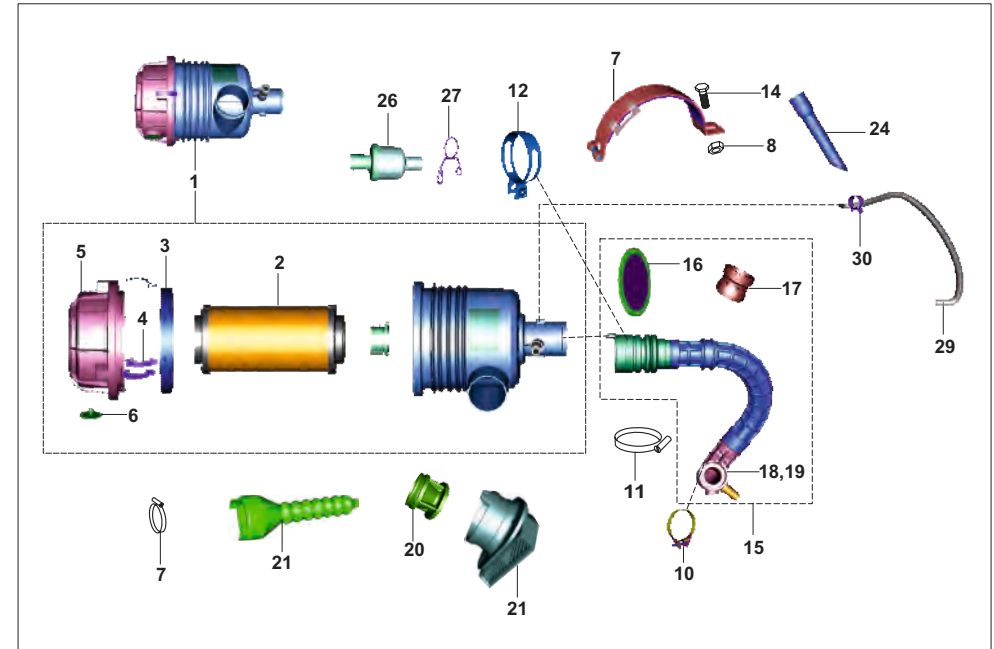
No.	Part No.	Description	QTY/VEH-205 D			205 X		Remarks
			PET	CNG	LPG	CNG	LPG	
1	AA 1212 08	Carburetor comp.	1	-	-	-	-	Non CAT
	AA 1212 25	Carburetor comp.	1	-	-	-	-	For Nigeria
	AA 1212 09	Carburetor comp.	1	-	-	-	-	with CAT, Euro II
	AM 1211 69	Carburetor comp.	-	-	-	-	1	Euro II
1a	AF 1215 10	Carburetor comp.	-	1	-	-	-	Before 06.03.14 N.S
	AF 1215 22	Carburetor comp.	-	1	-	-	-	Ref. IB Cir.53
1b	AM 1211 56	Carburetor comp. AM121111	-	-	1	-	-	with CAT, Euro II bEFORE 23.01.14 Ref. Cir. IB-51
	AM 1211 69	Carburetor comp.	-	-	1	-	-	
1c	AZ 5812 14	Carburettor Assy. -m/s Ucal	-	-	-	1	1	
2	24 1210 69	Pin float	1	1	1	1	1	
3	JA 5812 21	Needle valve assly.	1	1	1	1	1	
4	36 AA40 13	Jet kit	1	-	-	-	-	
4a	36 AF00 16	Jet kit	-	1	-	-	-	
4b	36 AF00 10	Jet kit	-	-	1	-	-	
4c	36 AZ00 02	Jet kit	-	-	-	1	1	
5	24 1213 61	Seal	1	1	1	1	1	
6	LJ A000 03	'O' ring	1	1	1	-	-	
6	24 1210 62	'O' ring-carb	-	-	-	1	1	
7	36 AA40 44	Piston valve assly. kit	1	-	-	-	-	
7a	36 AF00 27	Piston valve assly. kit	-	1	-	-	-	
7b	36 AF00 17	Piston valve assly. kit	-	-	1	-	-	
7c	36 AZ00 03	Piston valve assly. kit	-	-	-	1	1	
8	AF 1214 49	Spring throttle valve	1	1	1	1	1	
9	36 2440 56	Mixing Cap assly. kit	1	1	1	-	-	
9	36 RC00 02	Mixing Cap assly. kit	-	-	-	1	1	
10	AF 1214 45	Float	1	1	1	1	1	



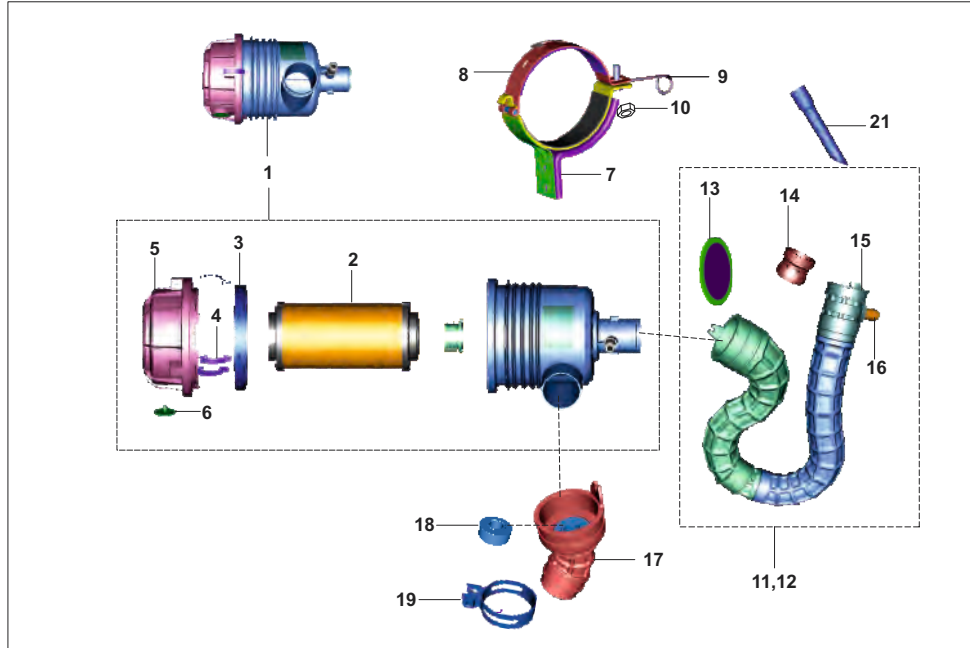
No.	Part No.	Description	QTY/VEH-205 D			205 X		Remarks
			PET	CNG	LPG	CNG	LPG	
11	36 AF00 08	Idling adjuster kit	1	1	1	1	1	
12	DH 1211 18	'O' ring	1	1	1	1	1	
13	CB 1210 46	Screw	3	3	3	3	3	
14	DZ 1210 48	Hose Drain	1	1	1	1	1	
15	AA 1211 37	Vent Hose	1	1	1	1	1	
16	JA 5813 14	Drain Screw	1	1	1	1	1	
17	AA 1410 46	Clip hose	1	1	1	3	3	
18	36 AF00 09	Air screw kit	1	1	1	-	-	
18	JA 5812 36	Air screw kit	-	-	-	1	1	
19	AA 1211 87	Plunger assly kit	1	1	1	-	-	
19	29 1210 81	Plunger assly kit	-	-	-	1	1	N.S
20	36 AF00 15	Float body	1	1	1	1	1	NI
21	36 AF00 11	Top Cap assly. Kit	1	1	1	-	-	NI
22	36 AF00 14	O- ring Kit	1	1	1	1	1	NI
23	AN 1014 21	Rubber coupling cng	1	1	1	1	1	
24	AA 1212 23	Rubber coupling(Viton)	1	-	-	-	-	For Nigeria
25	AF 1213 93	Filter Air Carburettor	-	-	-	1	1	NI
26	AZ 5812 12	Jet needle	-	-	-	1	1	NI
27	DH 1210 38	Clamp (45 To 48)	-	-	-	1	1	NI
28	AZ 5812 02	Jet Needle(JN)	-	-	-	1	1	N.S
29	JB 5812 02	Throttle position sensor	1	1	1	-	-	
30	AA 1015 94	Insulator	1	-	-	-	-	For Nigeria
31	LJ A000 03	O ring	1	-	-	-	-	For Nigeria
32	KC Ga06 06	Nut Flange	1	-	-	-	-	For Nigeria



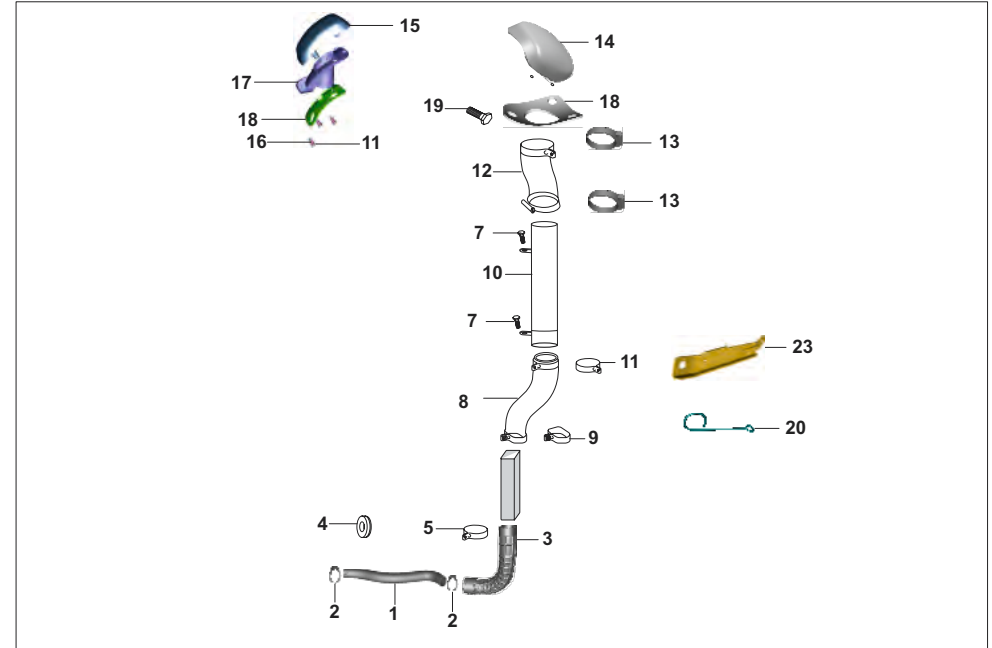
No.	Part No.	Description	QTY/VEH-205 D			205 X		Remarks
			PET	CNG	LPG	CNG	LPG	
1	AA 1212 04	Assembly air filter	1	-	-	-	-	
1	RC 5810 07	Assembly air filter	-	1	1	-	-	
2	AL 1210 62	Element air filter	1	-	-	-	-	
2	AA 1211 50	Element air filter	-	1	1	-	-	
3	AL 1210 68	Gasket sealing	1	-	-	-	-	
3	AA 1211 48	Gasket sealing	-	1	1	-	-	
4	AL 1210 69	Clip air filter	3	-	-	-	-	
4	AA 1211 49	Clip air filter	-	3	3	-	-	
5	AL 1210 70	Cover air filter assembly NS	1	-	-	-	-	
5	RC 5810 09	Cover air filter assembly	-	1	1	-	-	
6	AA 1211 47	Valve dust ejector	-	1	1	-	-	
7	31 1210 41	Clamp	1	1	1	-	-	
7	AA 2311 42	Clamp air filter	1	1	1	-	-	
8	39 2295 15	Nut - flange :- m8	1	1	1	-	-	
9	24 1217 21	Bellow for accelerator cable	1	1	1	-	-	
10	DH 1210 38	Clamp (45 to 48)	2	2	2	-	-	
11	AZ 5810 26	Clamp -mixer body	1	1	1	-	-	
12	BA 1220 62	Pipe - band	1	1	1	-	-	
13	AA 1212 05	Bracket carburettor holding	1	1	1	-	-	NI N.S
	AF 1215 19	Bracket carburettor holding	1	1	1	-	-	NI Ref. Cir. IB-61 N.S
14	KA DB05 10	Screw - hexagon head :- m6	1	1	1	-	-	
15a	AA 1211 95	Assembly complete integral duct	1	-	-	-	-	
15b	AF 1215 07	Assembly complete integral duct	-	1	1	-	-	Before 23.01.14
	AM 1211 58	Assembly complete integral duct	-	-	1	-	-	Ref. Cir. IB-51



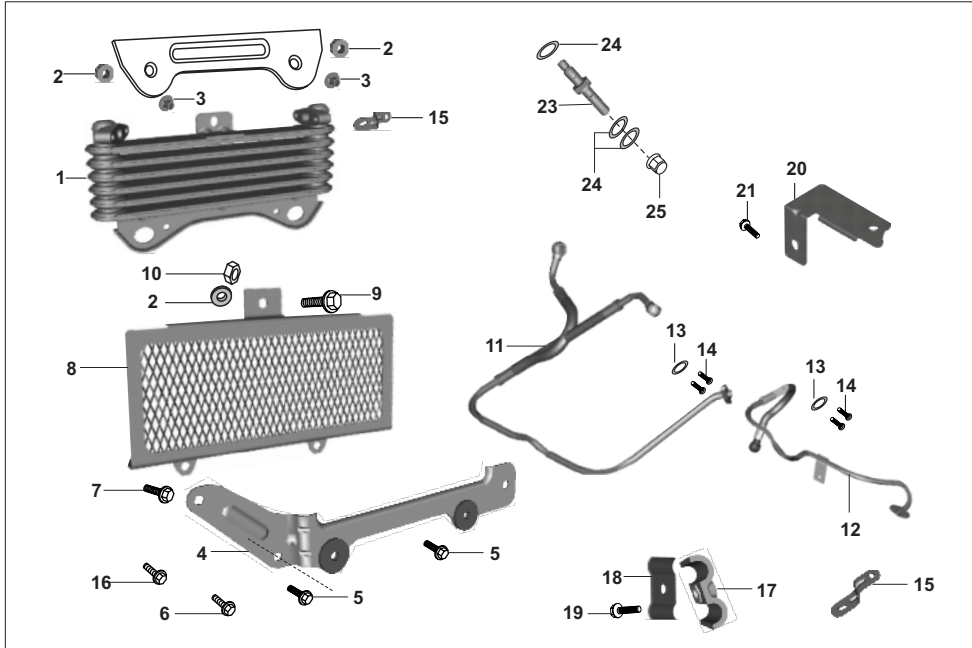
No.	Part No.	Description	QTY/VEH-205 D			205 X		Remarks
			PET	CNG	LPG	CNG	LPG	
16	AZ 5810 09	Arrester back fire	1	1	1	-	-	
17	AZ 5810 39	Venturi od 32 id 23.8	-	1	1	-	-	Before 23.01.14
	AM 1210 77	Venturi od 32 id 23.8	-	-	1	-	-	Ref. Cir. IB-51
18	AF 1215 09	Mixer body	-	1	1	-	-	
19	AS 1210 11	Clip hose strap two way	-	1	1	-	-	
20	AA 1212 01	Cone reverse air inlet	1	-	1	-	-	Before 23.01.14
21	AA 1017 53	Grommet air filter inlet	1	1	1	-	-	
22	39 1556 04	Hex hd bolt/flange-m8	1	1	1	-	-	
23	AF 1211 33	Filter air carburettor	-	1	-	-	-	NI
24	DZ 1210 41	Tube breather ii	-	1	1	-	-	
25	24 1214 60	Ttube s.a.i. Inlet	2	-	-	-	-	NI
26	24 1214 62	Silencer for sai	1	-	-	-	-	
27	24 1214 77	Clamp sai tubes	2	2	2	-	-	
28	AF 1215 11	Insert restrictor	-	1	-	-	-	
29	AF 1010 35	Tube breather	-	1	1	-	-	
30	24 1214 76	Spring clamp dia. 16.8 x w12	1	1	1	-	-	NI
31	AM 1211 62	Restrictor	-	-	1	-	-	NI Ref. Cir. IB-51
32	AM 1211 55	Hose Low Pressure	-	-	1	-	-	Before 23.01.14
	AM 1211 63	Hose Low Pressure	-	-	1	-	-	NI Ref Cir. IB- 51



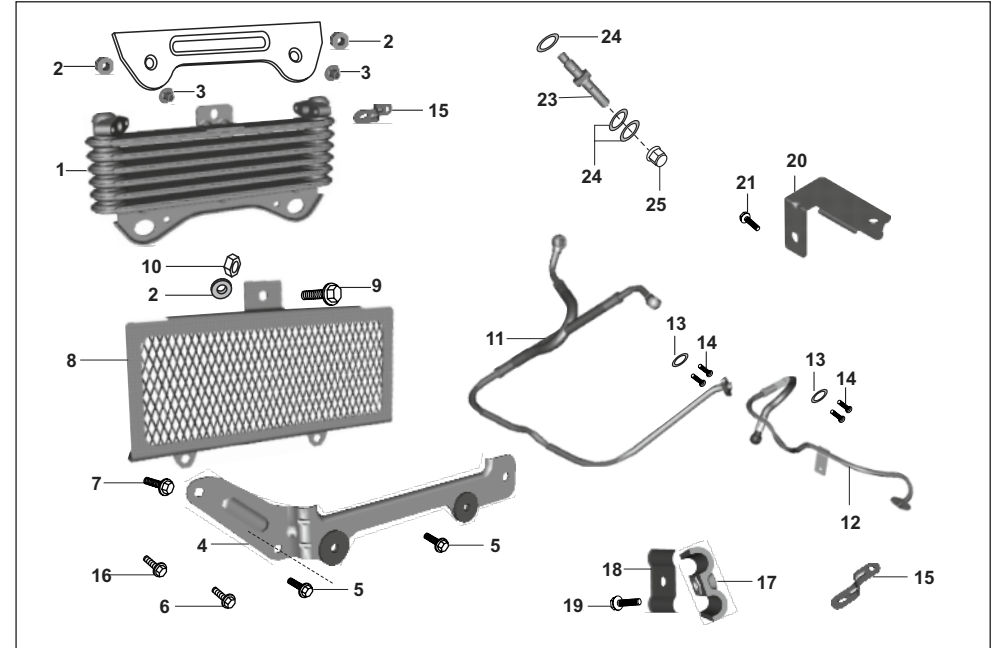
No.	Part No.	Description	QTY/VEH-205 D			205 X		Remarks
			PET	CNG	LPG	CNG	LPG	
1	AF 1215 05	Assembly air filter	--	--	--	1	1	
2	AA 1211 50	Element air filter	--	--	--	1	1	
3	AA 1211 48	Gasket sealing	--	--	--	1	1	
4	AA 1211 49	Clip air filter	--	--	--	3	3	
5	AA 1211 93	Cover assembly	--	--	--	1	1	
6	AA 1211 47	Valve dust ejector	--	--	--	1	1	
7	RC 1138 01	Assembly bkt air filter mtg	--	--	--	1	1	
8	BG 5810 06	Clamp air filter	--	--	--	1	1	
9	24 1216 46	Hook for sai tube	--	--	--	1	1	
10	39 2383 15	Nut - hexagon with flange - m8	--	--	--	1	1	
11	AZ 5810 49	Assembly complete integral duct	--	--	--	1	--	
12	RA 5810 04	Assembly complete integral duct	--	--	--	--	1	
13	AZ 5810 09	Arrester back fire	--	--	--	1	1	
14	AZ 5810 39	Venturi od 32 id 23.8	--	--	--	1	1	
15	AZ 5810 54	Mixer body	--	--	--	1	--	
15a	RA 5810 06	Mixer body	--	--	--	--	1	
16	BA 1220 62	Pipe - band	--	--	--	1	1	
17	AZ 5810 33	Assly bellow pipe a/f inlet	--	--	--	1	1	
18	AZ 5810 41	Insert restrictor	--	--	--	1	1	
19	31 1210 41	Clamp	--	--	--	2	2	
20	24 1217 21	Bellow for accelerator cable	--	--	--	1	1	NI
21	DZ 1210 41	Tube breather ii	--	--	--	1	1	



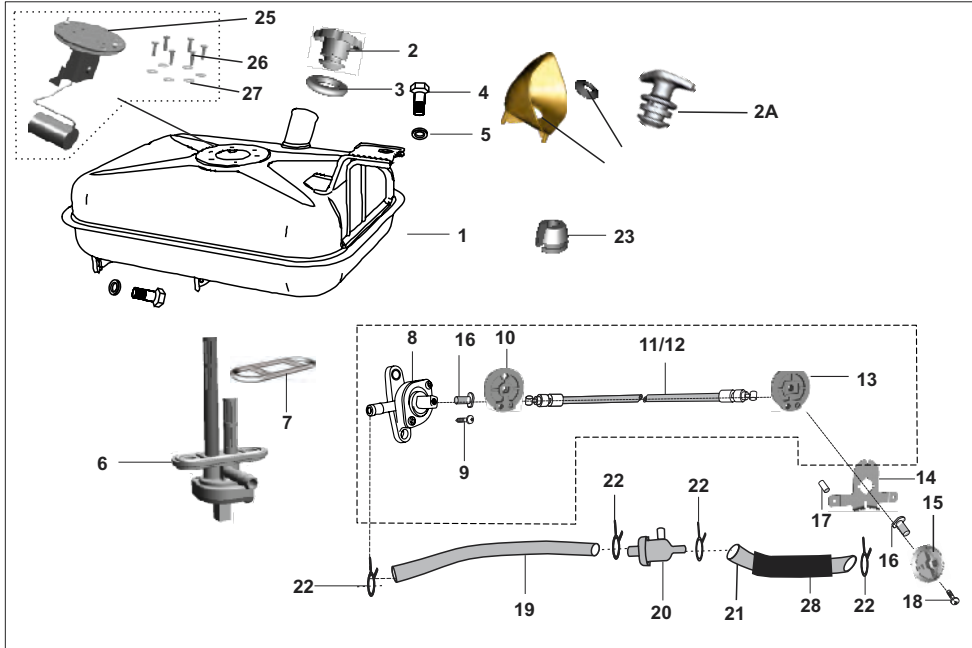
No.	Part No.	Description	QTY/VEH-205 D			205 X		Remarks
			PET	CNG	LPG	CNG	LPG	
1	AZ 5810 34	Pipe air filter inlet	--	--	--	1	1	
2	DG 1012 63	Clamp	--	--	--	2	2	
3	AZ 5810 13	Elbow rubber	--	--	--	1	1	
4	AZ 5810 57	Insert restrictor- elbow	--	--	--	1	1	
5	AZ 5810 24	Clip duct air body	--	--	--	1	1	
6	BH 5810 10	Clip elbow lower end	--	--	--	1	1	
7	KA De06 12	Bolt - flanged	--	--	--	2	2	
8	BH 5810 05	Elbow rubber lower end	--	--	--	1	1	
9	BH 5810 10	Clip elbow lower end	--	--	--	1	1	
10	AZ 5810 18	Pipe air intake upper	--	--	--	1	1	
11	31 1210 41	Clamp	--	--	--	1	1	
12	AZ 5810 21	Elbow top end	--	--	--	1	1	
13	24 1704 31	Clip - hose	--	--	--	2	2	
14	BH 1850 00	Assembly air intake snorkel FI	--	--	--	1	1	
15	Bh 1850 01	Grill air intake snorkel top	--	--	--	1	1	
16	JG 5810 15	Insert (M6*1)	--	--	--	3	3	
17	BH 1850 02	Grill air intake snorkel bottom	--	--	--	1	1	
18	BH 1850 03	Packing	--	--	--	1	1	
19	KA DE06 20	bolt	--	--	--	3	3	
20	24 1216 46	Hook -sai hose	--	--	--	1	1	
21	KA Ed06 18	Bolt-flanged-small	--	--	--	1	1	
22	KA Db05 10	Bolt flanged	--	--	--	1	1	
23	AZ 5812 16	Bracket carburettor holding	--	--	--	1	1	



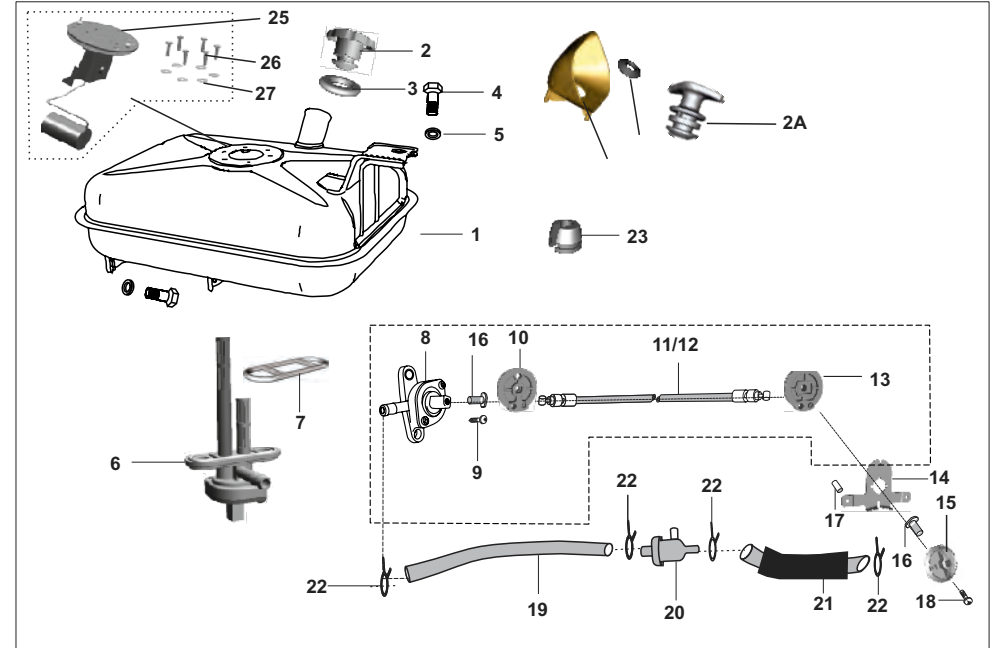
No.	Part No.	Description	QTY/VEH-205 D			205 X		Remarks
			PET	CNG	LPG	CNG	LPG	
0	AN 1212 08	Cooler -oil assly with guard	1	1	1	1	1	N.S
1	AN 1212 05	Cooler -oil	1	1	1	1	1	
2	DG 1410 19	Damper	2	2	2	1	1	
3	30 2110 05	Collar	2	2	2	1	1	
4	AN 1212 06	Bracket oil cooler mtg.	1	1	1	1	1	
5	39 1553 04	Bolt flanged M6x1x14	2	2	2	2	2	
6	39 1673 04	Bolt - flange :- M6	1	1	1	1	1	
7	39 1553 04	Bolt - flange :- M6	1	1	1	1	1	
8	AN 1212 07	Guard -oil cooler	1	1	1	1	1	
9	39 1672 04	Bolt - Flange :- M6 X 16	1	1	1	1	1	
10	39 1630 15	Nut - hexagon with flange	1	1	1	1	1	
11	AN 1013 08	Pipe oil hot	1	1	1	1	1	
12	AN 1013 07	Pipe oil cool	1	1	1	1	1	
13	DK 1013 40	'O' Ring (oil cooler pipe)	2	2	2	2	2	
14	39 1672 04	Bolt - flange :- M6 X 16	4	4	4	4	4	
15	AN 1014 23	bracket for oil cooler fl	1	1	1	1	1	
16	KA EA06 12	Bolt-flanged-small	3	3	3	3	3	



No.	Part No.	Description	QTY/VEH-205 D			205 X		Remarks
			PET	CNG	LPG	CNG	LPG	
17	DK 1012 77	Bracket upper (oil Cooler Pipe)	2	2	2	2	2	
18	DK 1012 78	Bracket lower (oil Cooler Pipe)	2	2	2	2	2	
19	LA E000 19	Bolt flanged M5x0.8px8l	2	2	2	2	2	
20	AN 1013 34	Bracket support-oil tube	1	1	1	1	1	
21	39 1672 04	Bolt - Flange :- M6 X 16	1	1	1	1	1	
22	DK 1012 36	Bolt special banjo oil cooler	1	1	1	1	1	
23	AN 1011 75	Connector oil supply	1	1	1	1	1	
24	DK 1012 37	Washer copper	6	6	6	6	6	
25	AN 1011 13	Nut -domed Cap	1	1	1	1	1	
26	39 0219 11	Washer plain	1	1	1	1	1	



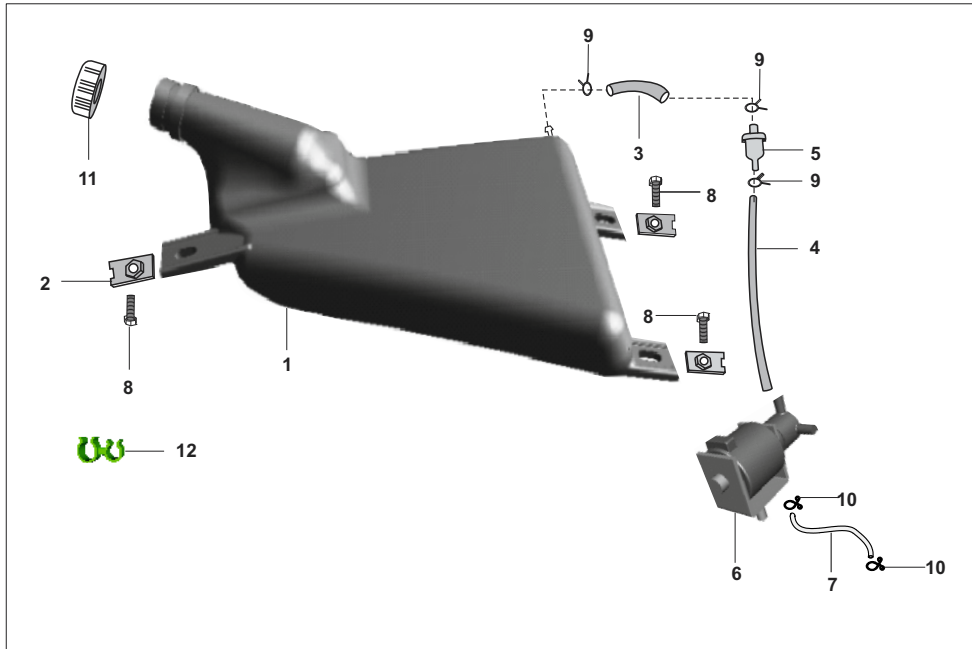
No.	Part No.	Description	QTY/VEH-205 D			205 X		Remarks
			PET	CNG	LPG	CNG	LPG	
1	24 1216 82	Fuel tank assly comp. side filling	1	--	--	--	--	
	AA 1410 71	Fuel tank assly comp. side filling	1	--	--	--	--	Ref. Cir. IB-67
2	24 1216 77	Cap fuel tank-petrol	1	--	--	--	--	
2A	AA 1410 08	Cap fuel tank-petrol	1	--	--	--	--	Ref. Cir. IB-67 for colombia
3	BF 1716 04	Ring O Cap	1	--	--	--	--	
4	39 2038 04	Hexagon socket head bolt-m6	2	--	--	--	--	
5	39 0740 11	Washer	2	--	--	--	--	
6	24 1216 95	Assembly Fuel Cock	1	--	--	--	--	
	24 1411 84	Assembly Fuel Cock	1	--	--	--	--	Ref. Cir. IB-57
7	24 1216 98	Seal Fuel Tap FI	1	--	--	--	--	
8	24 1411 65	Tap Assembly	1	--	--	--	--	
9	KB AA04 12	Screw-pan	1	--	--	--	--	
10	24 1411 32	Pulley tap side	1	--	--	--	--	
11	24 1911 36	Cable fuel cock operating-greay	1	--	--	--	--	
12	24 1911 37	Cable fuel cock operating -blac	1	--	--	--	--	
13	24 1411 33	Pulley Knob side	1	--	--	--	--	
14	24 1411 66	Bracket fuel knob mounting	1	--	--	--	--	
15	24 1411 64	Knob fuel tap operation	1	--	--	--	--	
16	24 1411 34	Insert for knob mounting	2	--	--	--	--	
17	24 1411 35	Spacer for knob mounting	1	--	--	--	--	
18	KB BA05 16	Screw truss cross M5	1	--	--	--	--	



No.	Part No.	Description	QTY/VEH-205 D			205 X		Remarks
			PET	CNG	LPG	CNG	LPG	
19	24 1411 40	Fuel tube cock to filter	1	--	--	--	--	
	AA 1410 97	Fuel tube cock to filter	1	--	--	--	--	For Nigeria
	AA 1410 85	Fuel tube cock to filter	1	--	--	--	--	Ref Cir. IB- 75
20	24 1216 52	Fuel filter	1	--	--	--	--	
21	AA 1410 59	Fuel tube filter to carbu.	1	--	--	--	--	
	AA 1410 81	Fuel tube filter to carbu.	1	--	--	--	--	Ref Cir. IB- 75
22	33 1410 08	Fuel pipe clip	4	--	--	--	--	
23	24 1411 83	Plug seat fuel cock bkt	2	--	--	--	--	
24	KA Dd08 16	Bolt flanged	3	--	--	--	--	
25	BH 4026 00	Tank Unit	1	--	--	--	--	Ref Cir. IB- 67
26	01 1605 09	Bolt Hex. Head	6	--	--	--	--	Ref Cir. IB- 67
27	03 1902 04	Plain Washer	6	--	--	--	--	Ref Cir. IB- 67
28	AA 1410 82	Sleeve	1	--	--	--	--	Ref Cir. IB- 75
29	AA 1410 90	Hook	2	--	--	--	--	Ref Cir. IB- 75 N.I
30	KA Dd08 16	Flange bolt	2	--	--	--	--	Ref Cir. IB- 75 N.I
31	AA 1410 98	Sleeve	1	--	--	--	--	For Nigeria N.I
32	AA 1410 90	Clips	2	--	--	--	--	For Nigeria N.I
33	KA DA08 16	Bolt Flanged	2	--	--	--	--	For Nigeria N.I
34	AA 1410 79	Baffle Fuel Spillage	1	--	--	--	--	Ref. Cir. IB- 95
35	AA 1410 88	Grommet Baffle	1	--	--	--	--	Ref. Cir. IB- 95

PLATE NO. 29a : PETROL TANK

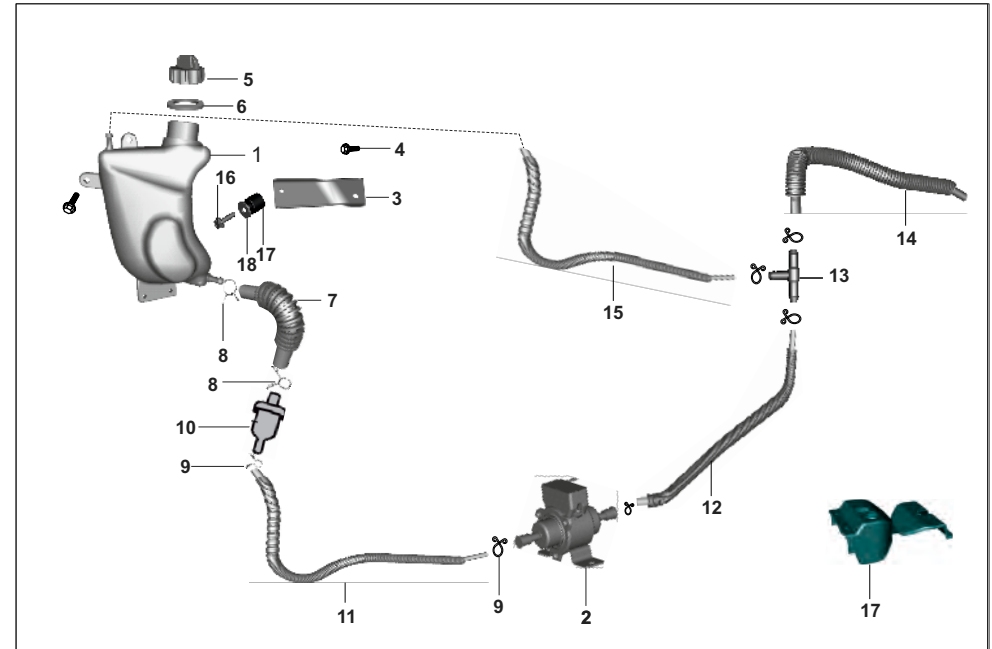
RE 45/4-STROKE
PETROL,CNG,LPG



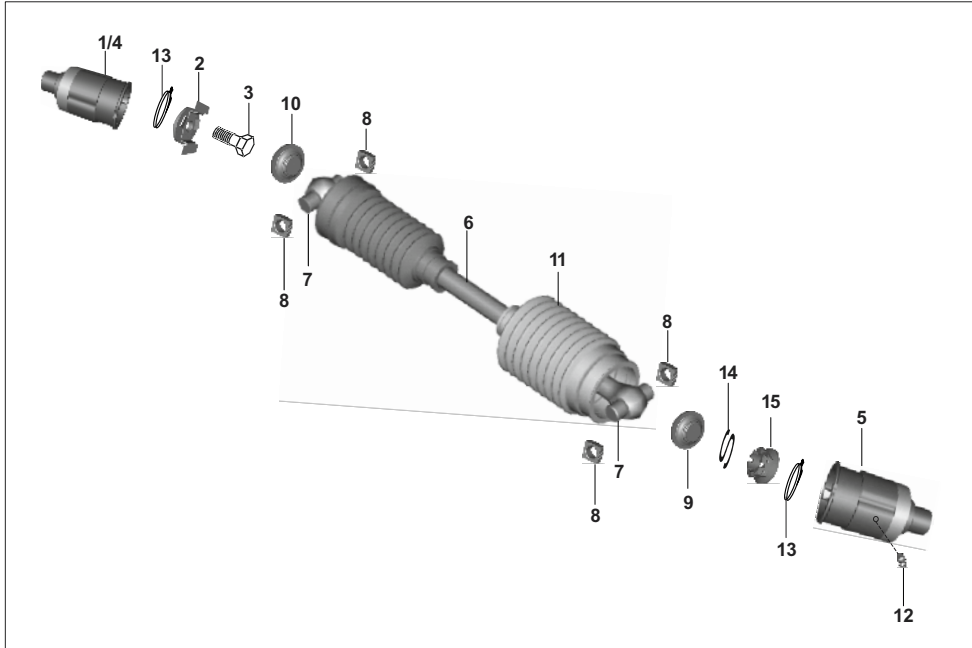
No.	Part No.	Description	QTY/VEH-205 D			205 X		Remarks
			PET	CNG	LPG	CNG	LPG	
1	AF 1410 75	Tank fuel 3 lit	--	1	1	--	--	
2	24 1612 97	Clip nut	--	3	3	--	--	
3	AM 1410 04	Fuel tube tank to filter	--	1	1	--	--	
4	AF 1410 72	Fuel tube filter to solenoid	--	1	1	--	--	
5	24 1216 52	Fuel filter	--	1	1	--	--	
6	RA 4026 01	Petrol solenoid cng	--	1	--	--	--	
6a	24 1216 56	Petrol solenoid lpg	--	--	1	--	--	
7	AF 1410 71	Fuel pipe solenoid to carb.	--	1	1	--	--	
8	39 1556 04	Bolt hex head flanged	--	3	3	--	--	
9	33 1410 07	Clamp	--	3	3	--	--	
10	33 1410 08	Clamp	--	3	3	--	--	
11	CS 1410 06	Cap fuel tank- 3 ltr tank	--	1	1	--	--	
	24 1411 94	Cap fuel tank- 3 ltr tank	--	1	1	--	--	Ref. Cir. IB-97
12	Aa 1410 67	Clip swivel spacer	--	2	2	--	--	
13	KA Da08 22	Bolt flanged	--	3	3	--	--	NI

PLATE NO. 29b : PETROL TANK (CNG/LPG)

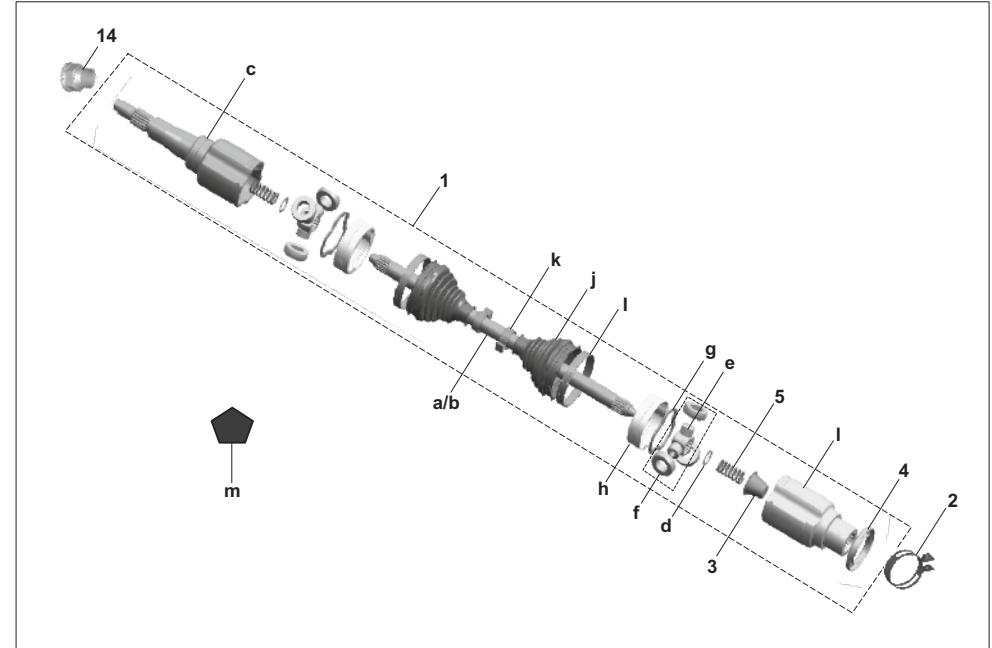
RE 45/4-STROKE
PETROL,CNG,LPG



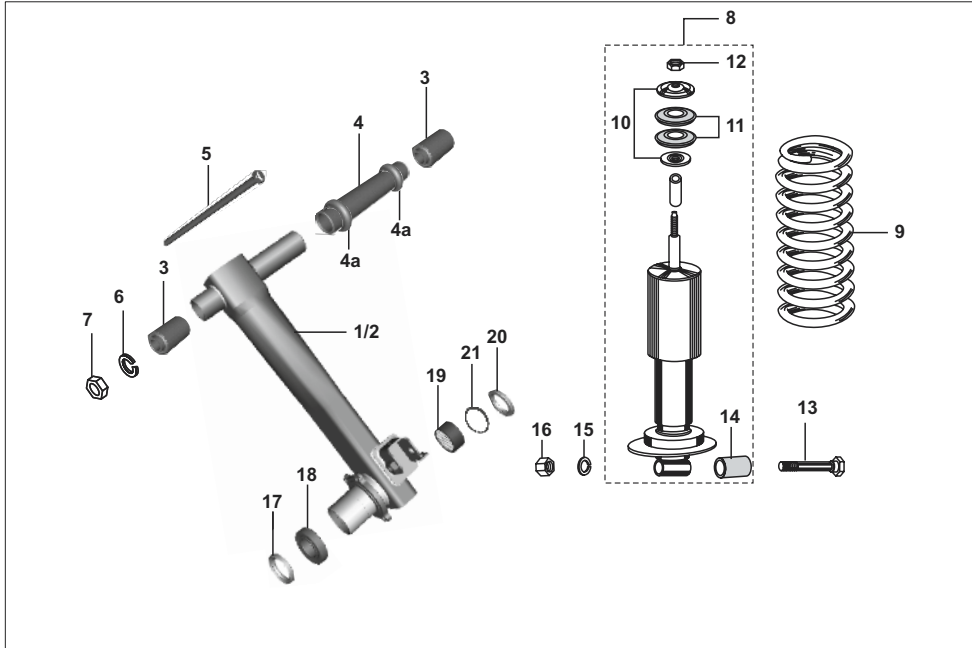
No.	Part No.	Description	QTY/VEH-205 D			205 X		Remarks
			PET	CNG	LPG	CNG	LPG	
1	AZ 1710 03	Tank fuel	--	--	--	1	1	
2	AL 2010 34	Pump assembly - fuel	--	--	--	1	1	
3	AZ 1110 12	Bracket upper for fuel tank	--	--	--	1	1	N.S
4	39 1958 04	Bolt - flanged :- small	--	--	--	3	3	
	KA Ed06 22	Bolt Flange (m6x1x122)	2	2	2	--	--	Ref. Cir. IB-61
	39 1958 04	Bolt - flanged :- small	2	2	--	--	--	For Nigeria
5	24 1411 50	Cap fuel tank	--	--	--	1	1	N.S
6	CS 1410 05	Washer cap fuel tank	--	--	--	1	1	
7	AZ 1718 03	Pipe fuel tank to filter	--	--	--	1	1	
8	33 1410 07	Clamp	--	--	--	4	4	
9	33 1410 08	Clamp	--	--	--	6	6	
10	DD 1210 13	Filter - Fuel	--	--	--	1	1	
11	AZ 1718 12	Pipe fuel filter to pump	--	--	--	1	1	
12	AZ 1718 05	Pipe fuel pump to t joint	--	--	--	1	1	
13	AZ 1718 11	Joint T	--	--	--	1	1	
14	AS 1400 03	Pipe fuel T joint to carburetor	--	--	--	1	1	
15	AZ 1718 07	Pipe fuel return	--	--	--	1	1	
16	KA DA06 20	Bolt - flange	--	--	--	1	1	
17	AZ 1138 06	Guard for fuel pump	--	--	--	1	1	N.S
18	39 0211 11	Plain washer	--	--	--	1	1	



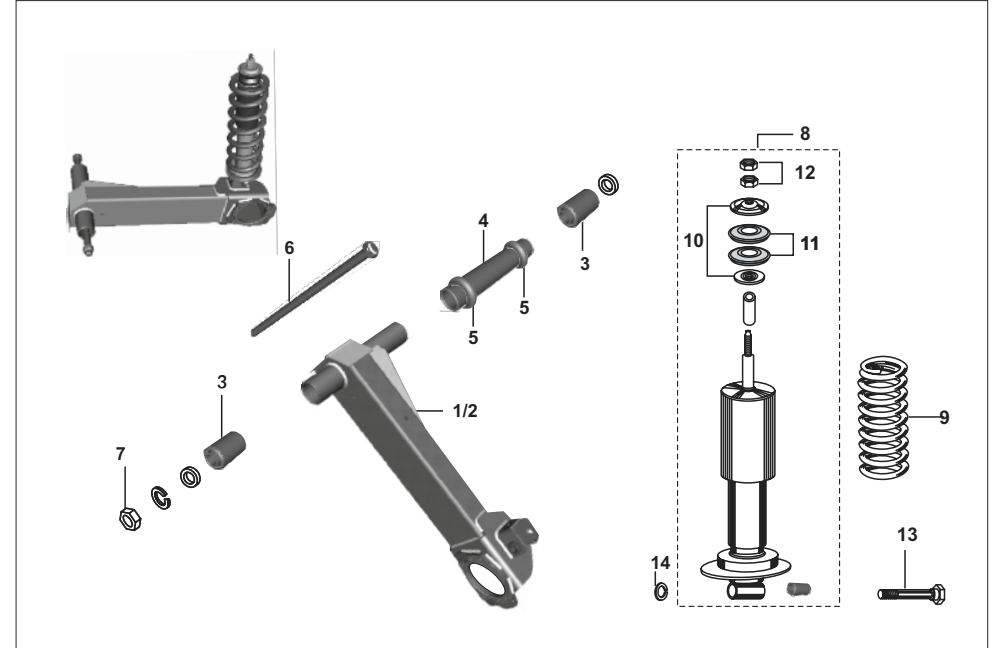
No.	Part No.	Description	QTY/VEH-205 D			205 X		Remarks
			PET	CNG	LPG	CNG	LPG	
1	AA 1017 21	Flange assly(Satellite gear)	1	1	1	-	-	
2	24 1710 14	Lock washer assembly	2	2	2	-	-	
3	39 0119 04	Bolt	2	2	2	-	-	
4	AA 1017 22	Flange assly (diff. gear side)	1	1	1	-	-	
5	AY 1412 02	Flange (wheel side)	2	2	2	-	-	
6	24 1018 29	Shaft propeller with pins	2	2	2	-	-	
7	24 1704 25	Pin for propeller shaft	2	2	2	-	-	
8	AL 1710 65	Slider block	8	8	8	-	-	36244052
9	BG 1412 52	Rubber buffer wheel side	2	2	2	-	-	
10	BG 1412 53	Rubber buffer diff. side	2	2	2	-	-	
11	24 1310 74	Rubber bellow - wheel side	2	2	2	-	-	
12	24 1310 98	Grease nipple	2	2	2	-	-	
13	BB 1310 24	Clamp-2	4	4	4	-	-	
14	24 1710 66	Spring clip	2	2	2	-	-	
15	39 1182 15	Nut	2	2	2	-	-	



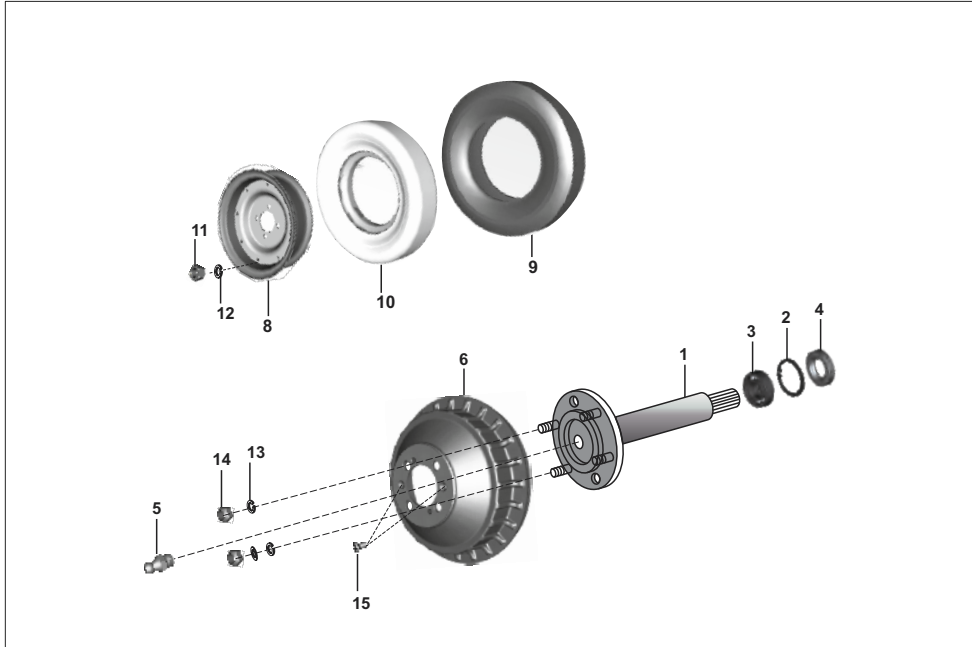
No.	Part No.	Description	QTY/VEH-205 D			205 X		Remarks
			PET	CNG	LPG	CNG	LPG	
1	AN 1013 53	Assembly drive shaft	-	-	--	2	2	N.S
2	BH 5518 00	Clip lock drive shaft	-	-	--	2	2	
3	BH 5514 20	Plug	-	-	--	1	1	
4	BH 5514 21	Dustshield	-	-	--	1	1	
5	BH 5514 09	Spring	-	-	--	2	2	
6	36 BH00 06	Kit boot- all	-	-	--	1	1	j,i,k,m
7	36 BH00 07	Kit Boot & Retainer	-	-	--	1	1	j,i,k,m g,h
8	36 BH00 08	kit OBJ max	-	-	--	1	1	c,i,k,m
9	36 BH00 10	Kit OBJ & +tripod max	-	-	--	1	1	c,i,k,m e,f,d
10	36 BH00 12	Kit IBJ	-	-	--	1	1	l,i,k,m N.S
11	36 BH00 13	Kit IBJ & Tripod	-	-	--	1	1	l,i,k,m e,f,d N.S
12	36 BH00 16	Kit barshaft	-	-	--	1	1	a,d,i,k N.S
13	36 BH00 19	Kit roller	-	-	--	1	1	f
14	BF 1317 07	Nut axle M16	--	--	--	2	2	



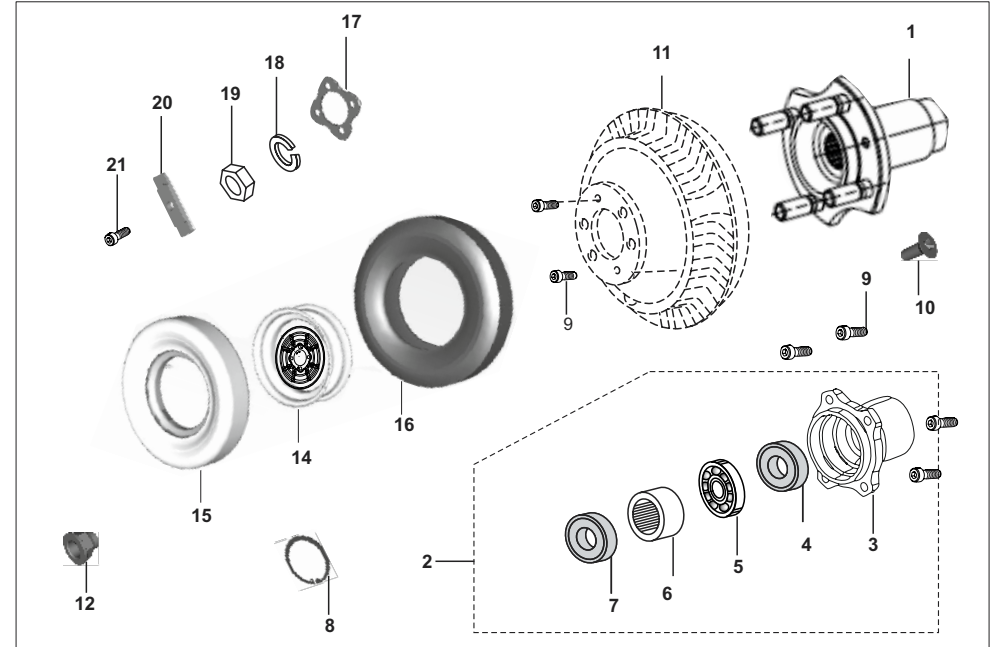
No.	Part No.	Description	QTY/VEH-205 D			205 X		Remarks
			PET	CNG	LPG	CNG	LPG	
1	24 1711 79	Tralling arm assly LH	1	1	1	-	-	
2	24 1711 80	Trailing arm assembly RH	1	1	1	-	-	
3	AA 1710 06	Bush-silent for trailing arm	2	2	2	-	-	
4	AA 1710 22	Distance piece assly	2	2	2	-	-	
4a	AA 1710 24	Spacer ring-dist.piece	4	4	4	-	-	
5	AA 1710 11	Pivot pin trailing arm	2	2	2	-	-	
6	39 0269 12	Spring washer	2	2	2	-	-	
7	KC AD14 11	Nut	2	2	2	-	-	
8	24 1710 94	Rear shock absorber assly	2	2	2	-	-	
9	24 1705 08	Rear suspension spring	2	2	2	-	-	
10	24 1705 05	Cup washer top side	4	4	4	-	-	
11	24 1710 55	Rubber bush - cup washer	4	4	4	-	-	
12	39 0303 15	Hex nut	4	4	4	-	-	
13	24 1705 07	Bolt flange guiding m12x1.25	2	2	2	-	-	
14	24 1710 49	Rubber bush with cup washer	2	2	2	-	-	
15	39 0269 12	Spring washer	2	2	2	-	-	
16	39 2607 15	Nut	2	2	2	-	-	
17	24 1710 24	Seal 41x60x7	2	2	2	-	-	
18	01 1003 42	Bearing 30X55X13-Rear Hub	2	2	2	-	-	
19	59 2000 12	Bearing - needle (SL 35 20)	2	2	2	-	-	
20	22 1710 07	Seal - oil	2	2	2	-	-	
21	39 0342 17	Internal circlip	1	1	1	-	-	



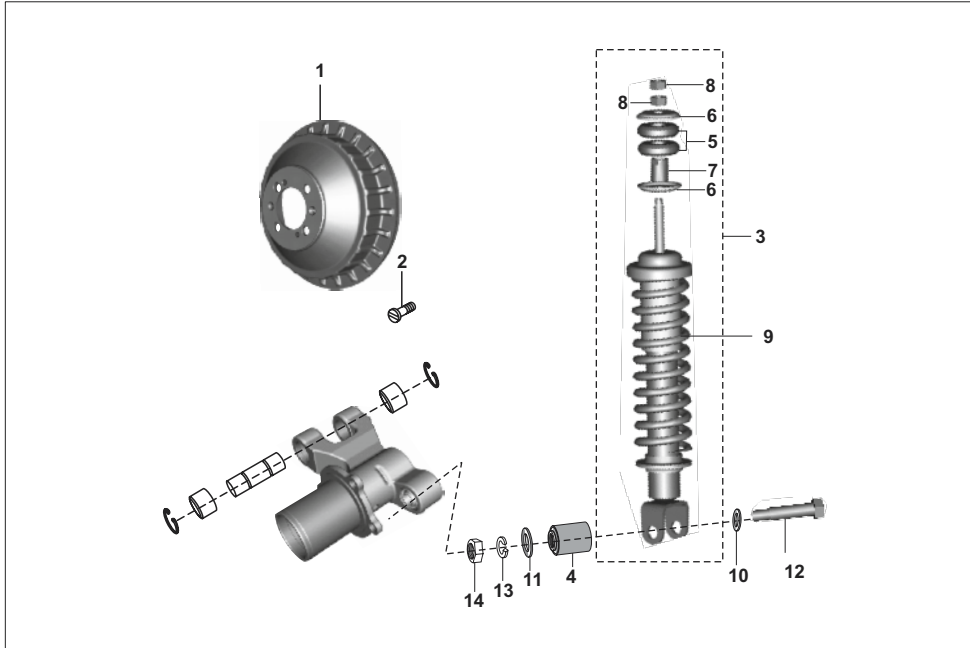
No.	Part No.	Description	QTY/VEH-205 D			205 X		Remarks
			PET	CNG	LPG	CNG	LPG	
1	BH 1220 13	Tralling arm Assly LH	--	--	--	1	1	N.S
2	BH 1220 14	Trailing arm assembly RH	--	--	--	1	1	N.S
3	AA 1710 06	Silent Bush	--	--	--	4	4	
4	AA 1710 07	Distance piece assly	--	--	--	2	2	N.S
5	AA 1710 09	Spacer ring-dist.piece	--	--	--	4	4	
6	BH 1220 02	Pivot pin trailing arm	--	--	--	2	2	
7	KC AD14 11	Nut	--	--	--	2	2	
8	BA 1710 09	Rear shock absorber assembly	--	--	--	2	2	
9	BH 1220 00	Rear suspension spring	--	--	--	2	2	
10	BA 1710 08	Cup washer top side	--	--	--	4	4	
11	BA 1710 07	Rubber bush - cup washer	--	--	--	4	4	
12	39 1336 15	Hex nut	--	--	--	4	4	
13	BH 1220 20	Bolt	--	--	--	2	2	
14	39 0269 12	Spring washer	--	--	--	2	2	
15	BH 1220 06	Assly weld trailing arm Rh FI	--	--	--	1	1	
16	BH 1220 05	Assly weld trailing arm Lh FI	--	--	--	1	1	



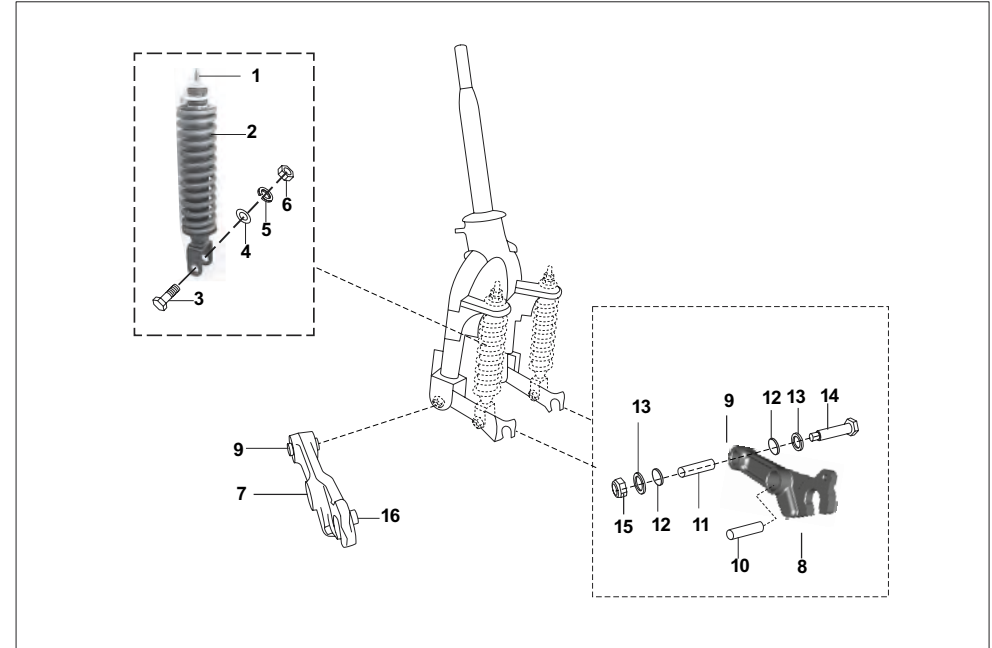
No.	Part No.	Description	QTY/VEH-205 D			205 X		Remarks
			PET	CNG	LPG	CNG	LPG	
1	24 1711 18	Assembly rear axle	2	2	2	-	-	
2	39 0342 17	Internal circlip	1	1	1	-	-	
3	01 1003 42	Bearing ball	1	1	1	-	-	
4	24 1710 24	Seal - oil 48 dia.1	1	1	1	-	-	
5	24 1710 75	Nipple - grease	2	2	2	-	-	
6	22 1511 06	Brake drum rear	2	2	2	-	-	
7	22 1510 68	Tyre with tube	1	1	1	-	-	N.I
8	24 1511 10	Wheel rim assly.	4	4	4	-	-	
9	21 1503 07	Tyre 4.00X8"	1	1	1	-	-	ALT-22151105
10	21 1503 06	Tube for tyre	1	1	1	-	-	NS
11	39 0956 15	Nut - hexagon :- m8 x 1.25	8	8	8	-	-	
12	39 1828 12	Washer spring	8	8	8	-	-	
13	39 1829 12	Washer spring	4	4	4	-	-	
14	39 0312 15	Nut hex.	4	4	4	-	-	
15	KB Ca04 10	Slot csk hd screw	2	2	2	-	-	



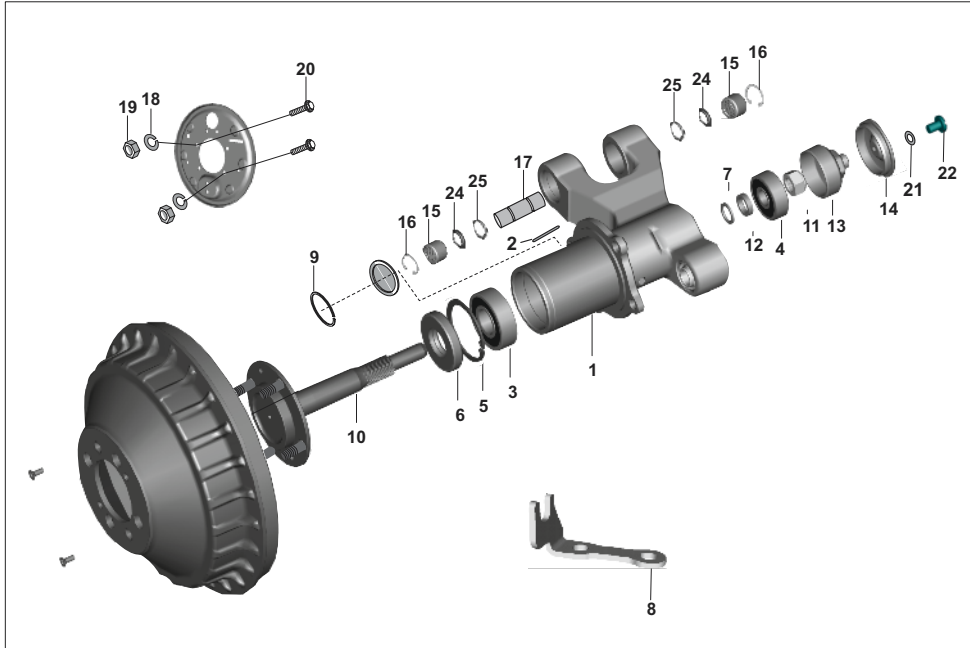
No.	Part No.	Description	QTY/VEH-205 D			205 X		Remarks
			PET	CNG	LPG	CNG	LPG	
1	BH 1312 04	Assembly drive flange	--	--	--	2	2	
2	BH 1312 07	Assy rear hub	--	--	--	2	2	
3	BH 1312 03	Rear hub	--	--	--	2	2	
4	BF 1317 23	Seal 41x60x7	--	--	--	2	2	
5	BF 1317 22	Bearing 30X55X13-Rear Hub	--	--	--	2	2	
6	59 2000 12	Bearing - needle (SL 35 20)	--	--	--	2	2	
7	22 1710 07	Seal - oil	--	--	--	2	2	
8	KE BB55 20	Internal circlip	--	--	--	2	2	
9	LA C000 35	Bolt-socket-m8	--	--	--	8	8	
10	KB CA04 10	Screw - slotted head :- M4	--	--	--	4	4	
11	22 1511 06	Brake drum rear	--	--	--	2	2	
12	BF 1317 07	Nut axle M16	--	--	--	2	2	
13	Bh 1312 06	Cap hub rear fl	--	--	--	1	1	N.I
14	BH 1310 02	Rim wheel 3.0 B X 10	--	--	--	4	4	
15	BF 1314 28	Tube 4.00d X 10	--	--	--	4	4	
16	BH 1310 10	Tyre with tube 6-pr	--	--	--	4	4	BH131009-TYRE
17	BH 1312 11	Washer plain special	--	--	--	12	12	
18	39 1829 12	Washer - spring	--	--	--	12	12	
19	39 0312 15	Nut - hexagon :- M10 X 1.5	--	--	--	12	12	
20	BH 1314 04	Cap spare wheel fl	--	--	--	4	4	
21	BH 1314 03	Bolt-flange-kad St-a Dia-10 L-20	--	--	--	1	1	



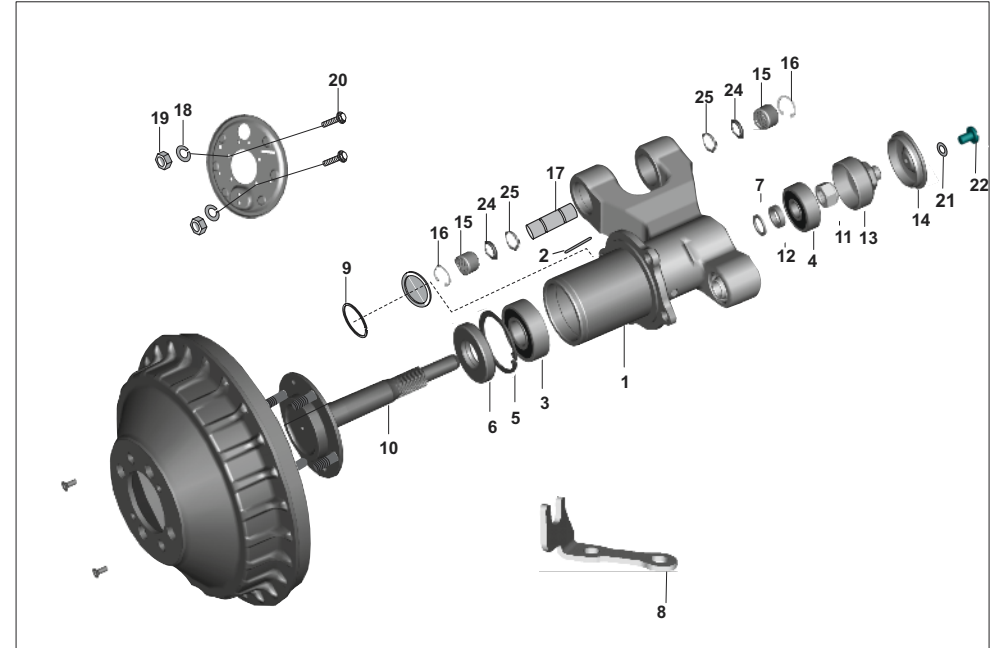
No.	Part No.	Description	QTY/VEH-205 D			205 X		Remarks
			PET	CNG	LPG	CNG	LPG	
1	22 1511 06	Brake drum	1	1	1	-	-	
2	KB Ca04 10	Slot csk hd screw	2	2	2	-	-	
3	AB 1710 44	Front shock absorber	1	1	1	-	-	
4	AB 1710 16	Bush	1	1	1	-	-	
5	AB 1710 13	Top rubber bush	2	2	2	-	-	
6	AB 1710 14	Locating cup rubber bush	2	2	2	-	-	
7	AB 1710 15	Spacer nut spring cup	1	1	1	-	-	
8	39 0295 15	Hexagon nut	2	2	2	-	-	
9	AB 1710 17	Spring front suspension	1	1	1	-	-	
10	39 0543 11	Plain washer	1	1	1	-	-	
11	39 1054 11	Plain washer	1	1	1	-	-	
12	AB 1710 31	Shoulder bolt	1	1	1	-	-	
13	39 0789 12	Washer spring	1	1	1	-	-	
14	39 0296 15	Hexagon nut	1	1	1	-	-	



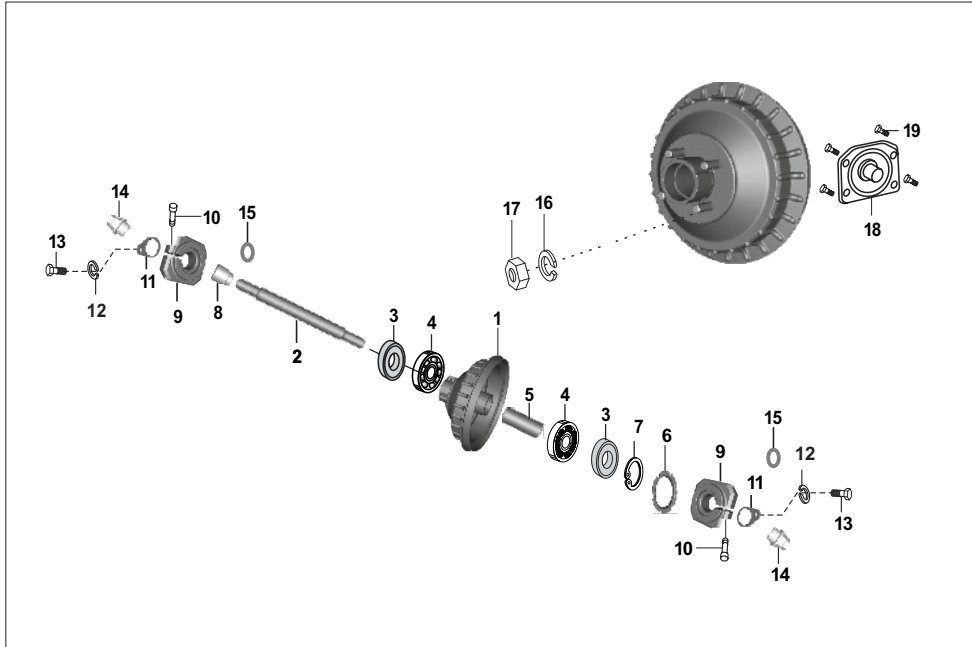
No.	Part No.	Description	QTY/VEH-205 D			205 X		Remarks
			PET	CNG	LPG	CNG	LPG	
1	BH 1210 04	Assembly front damper FI	--	--	--	2	2	
2	BH 1210 05	Spring Fr. suspension	--	--	--	2	2	
3	39 2516 04	Shoulder bolt	--	--	--	2	2	
4	39 1054 11	Plain washer	--	--	--	2	2	
5	39 0789 12	Spring washer	--	--	--	2	2	
6	39 0296 15	Hexagon Nut	--	--	--	2	2	
7	AL 1710 93	Link-rh assembly	--	--	--	1	1	
8	AL 1710 91	Link-lh assembly	--	--	--	1	1	
9	AL 1710 95	Bearing sleeve-igus bush	--	--	--	2	2	
10	AB 1710 16	Bush	--	--	--	2	2	
11	AL 1710 81	Bush link pivot	--	--	--	2	2	
12	39 1564 21	"O" Ring	--	--	--	4	4	
13	AL 1711 04	Cap link pivot	--	--	--	4	4	Igus bush
14	AL 1710 51	Bolt for link pivot	--	--	--	2	2	Link LH & RH
15	39 0939 15	Hex nyloc nut	--	--	--	2	2	Link LH & RH
16	AL 1710 58	Locking pin	--	--	--	2	2	



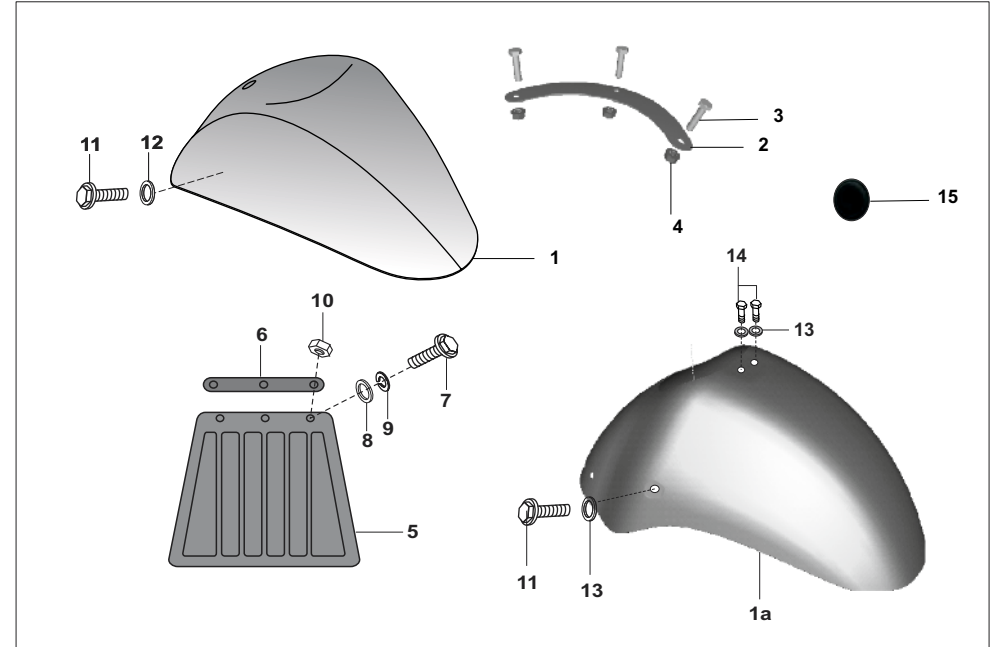
No.	Part No.	Description	QTY/VEH-205 D			205 X		Remarks
			PET	CNG	LPG	CNG	LPG	
1	AA 1510 47	Front wheel hub assly	1	1	1	-	-	
2	03 1701 09	Pin	1	1	1	-	-	
3	39 2550 20	Ball bearing	1	1	1	-	-	
4	39 2362 20	Bearing	1	1	1	-	-	
5	KE BB47 17	Intrnal circlip	1	1	1	-	-	
6	22 1701 15	Oil seal	1	1	1	-	-	
7	22 1701 18	Spacer	1	1	1	-	-	
8	24 1512 45	Bracket hose guide front fl	1	1	1	-	-	
9	39 0342 17	Circlip - internal	1	1	1	-	-	
10	24 1512 66	FR wheel axle assly	1	1	1	-	-	
11	59 1500 03	U Nut M12	1	1	1	-	-	
12	AA 1510 49	Spacer	1	1	1	-	-	Alt - 22170118
13	AB 1710 22	Grease cup nut	1	1	1	-	-	
14	AB 1710 23	Cap-FR wheel hub	1	1	1	-	-	
15	AB 1710 20	Needle bush	2	2	2	-	-	
16	39 2357 17	Internal circlip	2	2	2	-	-	
17	24 1711 29	Pivot pin fr wh hub	1	1	1	-	-	
18	39 0789 12	Washer - spring	4	4	4	-	-	
19	39 0694 15	Hex nut	4	4	4	-	-	



No.	Part No.	Description	QTY/VEH-205 D			205 X		Remarks
			PET	CNG	LPG	CNG	LPG	
20	24 1711 17	Bolt hexagon with flange	1	1	1	-	-	
21	39 0543 11	Washer - plain	1	1	1	-	-	
22	KB TA04 06	Screw - pan slotted	1	1	1	-	-	
23	CI 1810 24	Nipple grease	1	1	1	-	-	
24	24 1711 38	Spacer	2	2	2	-	-	
25	30 1011 85	Ring O	2	2	2	-	-	



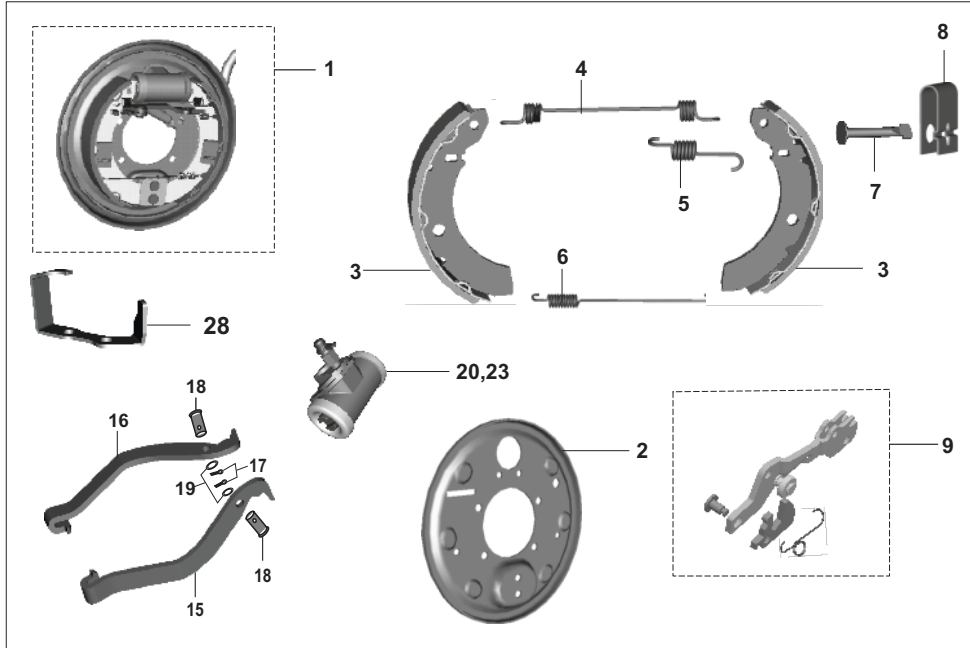
No.	Part No.	Description	QTY/VEH-205 D			205 X		Remarks
			PET	CNG	LPG	CNG	LPG	
1	BH 1318 09	Fr. Brake Drum with studs	--	--	--	1	1	N.S
2	AP 1510 02	Front Wheel Axle	--	--	--	1	1	
3	39 1737 19	Seal - Oil :- 26 X 42 X 8	--	--	--	2	2	
4	39 2240 20	Ball Bearing	--	--	--	2	2	
5	AP 1510 25	Distance piece assly	--	--	--	1	1	
6	AL 1510 07	Collar	--	--	--	1	1	
7	39 2464 17	Circlip	--	--	--	1	1	
8	BH 1316 01	Spacer assly.	--	--	--	1	1	
9	AL 1510 89	Special Nut-M16	--	--	--	2	2	
10	39 2038 04	Hex socket head bolt	--	--	--	4	4	
11	AL 1510 12	Locking Clip	--	--	--	2	2	
12	39 0263 12	Spring washer	--	--	--	2	2	
13	39 1079 01	Hex head screw	--	--	--	2	2	
14	AL 1510 11	Collar Nut	--	--	--	2	2	
15	39 11 80 11	Plain washer	--	--	--	4	4	
16	39 1829 12	Spring washer	--	--	--	4	4	
17	39 0312 15	Hex nut.	--	--	--	4	4	
18	AP 1510 31	Flange Backplate Fr	--	--	--	1	1	
19	39 2534 04	Bolt - Hexagon Head M8	--	--	--	4	4	
20	KJ Aa20 24	O ring	--	--	--	2	2	



No.	Part No.	Description	QTY/VEH-205 D			205 X		Remarks
			PET	CNG	LPG	CNG	LPG	
1	AA 1611 83	Front mudguard assly	1	1	1	--	--	N.S
1a	BB 1610 99	Front mudguard	--	--	--	1	1	Alternate
	52 BB00 75	Front mudguard	--	--	--	1	1	
2	AB 1611 82	Plate check fr mud	1	1	1	--	--	
3	39 1069 01	Hexagon head screw	3	3	3	--	--	
4	39 0817 15	Hex nut	3	3	3	--	--	
5	24 2301 85	Mudguard flap	1	1	1	1	1	
6	24 1611 76	Strip	2	2	2	2	2	
7	39 0071 04	Screw	3	3	3	3	3	
8	39 1830 12	Washer spring	3	3	3	3	3	
9	39 0198 11	Washer plain	3	3	3	3	3	
10	39 0291 15	Nut flange	3	3	3	3	3	
11	39 1944 04	Bolt	2	2	2	2	2	
12	39 2424 11	Plain washer	4	4	4	--	--	
13	39 1211 11	Washer plain	--	--	--	4	4	
14	39 1944 04	Bolt - flanged :- small	2	2	2	2	2	

PLATE NO. 39: AUTO ADJUSTER BRAKE SYSTEM

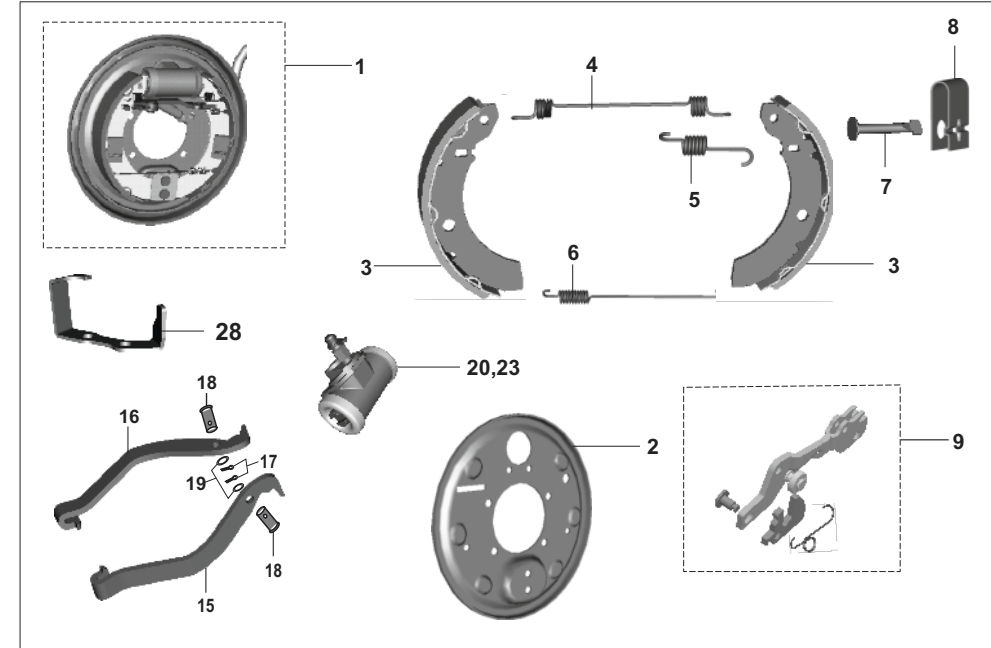
RE 45/4-STROKE
PETROL,CNG,LPG



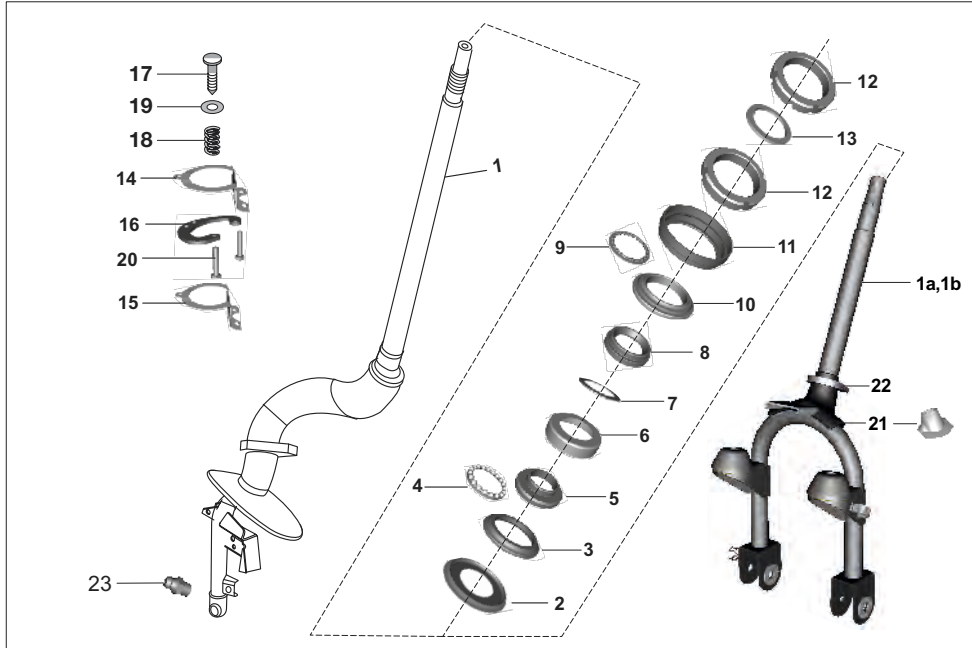
No.	Part No.	Description	QTY/VEH-205 D			205 X		Remarks
			PET	CNG	LPG	CNG	LPG	
1	24 1512 43	Panel assembly front brake	1	1	1	1	1	
1a	BH 1312 12	Panel assly LH	1	1	1	1	1	
1b	BH 1312 13	Panel assly RH	1	1	1	1	1	
2	AP 1510 17	Back panel assly front	1	1	1	1	1	
2a	24 1511 74	Back plate assly. LH	1	1	1	1	1	
2b	24 1511 78	Back Plate assly. RH	1	1	1	1	1	
3	24 1512 68	Brake shoe assly KIT	3	3	3	3	3	Bh131824
4	24 1511 33	Spring main	3	3	3	3	3	N.S
5	24 1511 34	Spring strut LH holding	3	3	3	3	3	N.S
5a	24 1511 53	Spring strut RH holding	3	3	3	3	3	N.S
6	24 1511 35	Spring shoe holding	3	3	3	3	3	N.S
7	24 1511 37	Pin pivot shoe	6	6	6	6	6	N.S
8	24 1511 38	Spring shoe clamping	6	6	6	6	6	N.S
9	24 1511 69	Strut assembly front complete	1	1	1	1	1	Incl. fig. 4,5,6,7 & 13
9a	24 1511 76	Strut assembly LH complete	1	1	1	1	1	Incl. fig. 4,5,6,7 & 13
9b	24 1511 80	Strut assembly RH complete	1	1	1	1	1	Incl. fig. 4,5,6,7 & 13
10	24 1511 70	Ratchet kit (Fr. & LH)	1	1	1	1	1	Incl. fig. 4,7 & 13
10a	24 1511 81	Ratchet kit (RH)	1	1	1	1	1	Incl. fig. 4,7 & 13
11	24 1511 71	Brake shoe kit	1	1	1	1	1	Inc. fig. 3,11&12
12	24 1511 72	Shoe clamp spring kit	1	1	1	1	1	Inc. fig. 11& 12
13	24 1511 73	Spring kit (Com for Front & LH)	1	1	1	1	1	Inc. fig. 8,9 &10
13a	24 1511 82	Spring kit RH	1	1	1	1	1	Inc. fig. 8,9 &10

PLATE NO. 39: AUTO ADJUSTER BRAKE SYSTEM

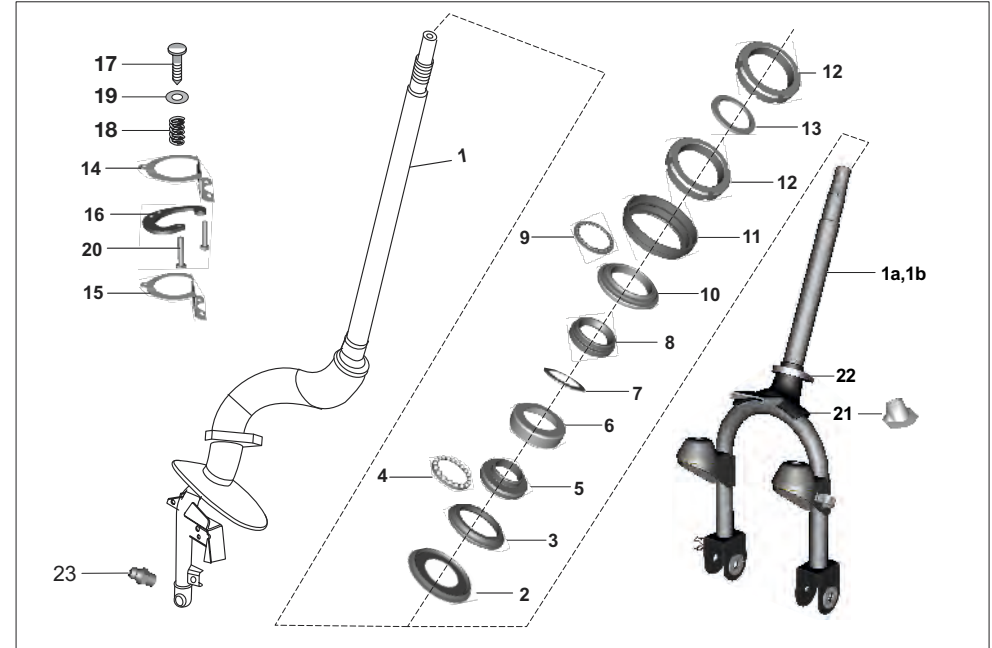
RE 45/4-STROKE
PETROL,CNG,LPG



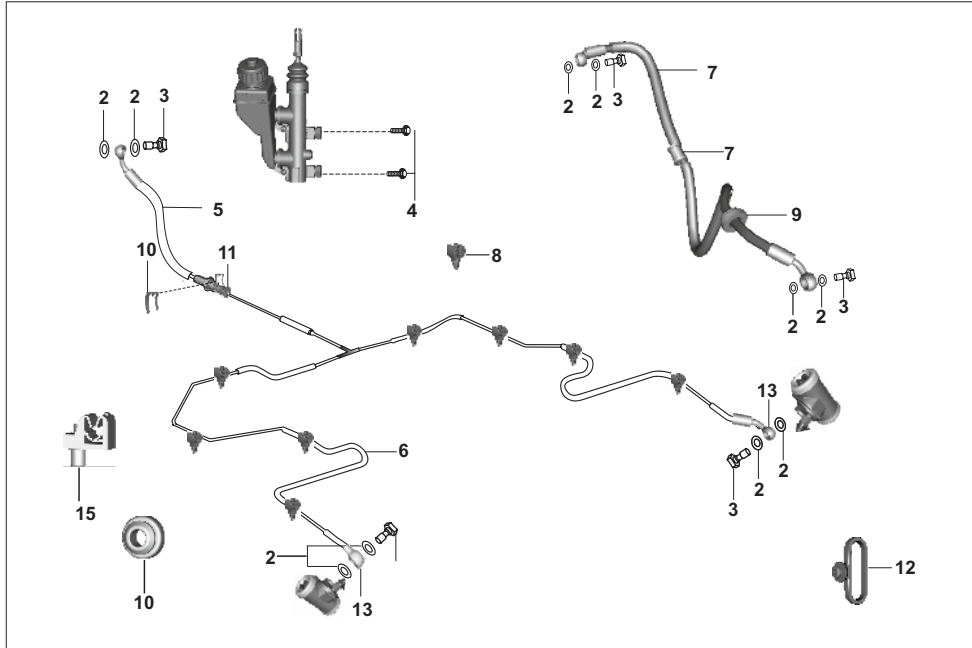
No.	Part No.	Description	QTY/VEH-205 D			205 X		Remarks
			PET	CNG	LPG	CNG	LPG	
14	24 1511 68	Auto adjuster assly front	1	1	1	1	1	Inc. fig. 5 & 6
14a	24 1511 75	Auto adjuster assly rear LH	1	1	1	1	1	Inc. fig. 5 & 6
14b	24 1511 79	Auto adjuster assly rear RH	1	1	1	1	1	Inc. fig. 5 & 6
15	24 1511 83	Lever parking brake RH KIT	1	1	1	1	1	alt for BH131814
15	BH 1318 14	Lever parking brake rh fl	1	1	1	1	1	N.S
16	24 1511 77	Lever parking brake LH KIT	1	1	1	1	1	alt for Bh131813
16	BH 1318 13	Lever parking brake lh fl	1	1	1	1	1	N.S
17	24 1511 47	Pin split - hbl	2	2	2	2	2	N.S
18	24 1511 46	Pin Pivot-park Lever	2	2	2	2	2	N.S
19	AL 1510 53	Washer- plain park lever	1	1	1	1	1	
20	24 1511 63	Cylinder assy wheel comp fr	1	1	1	1	1	Alt-ab151090
21	24 1511 07	Major kit	1	1	1	1	1	N.I
22	24 1511 08	Minor kit	1	1	1	1	1	N.I
23	24 1511 64	Cylinder assy wheel comp rear	1	1	1	1	1	Alt-Ab151091
24	24 1511 13	Major kit	1	1	1	1	1	N.I.
25	24 1511 14	Minor kit	1	1	1	1	1	N.I
26	AB 1510 79	screw - bleeder	1	1	1	1	1	N.S
27	AL 1510 52	cap - bleeder	1	1	1	1	1	
28	BH 1310 11	bracket hose guide front	--	--	--	1	1	



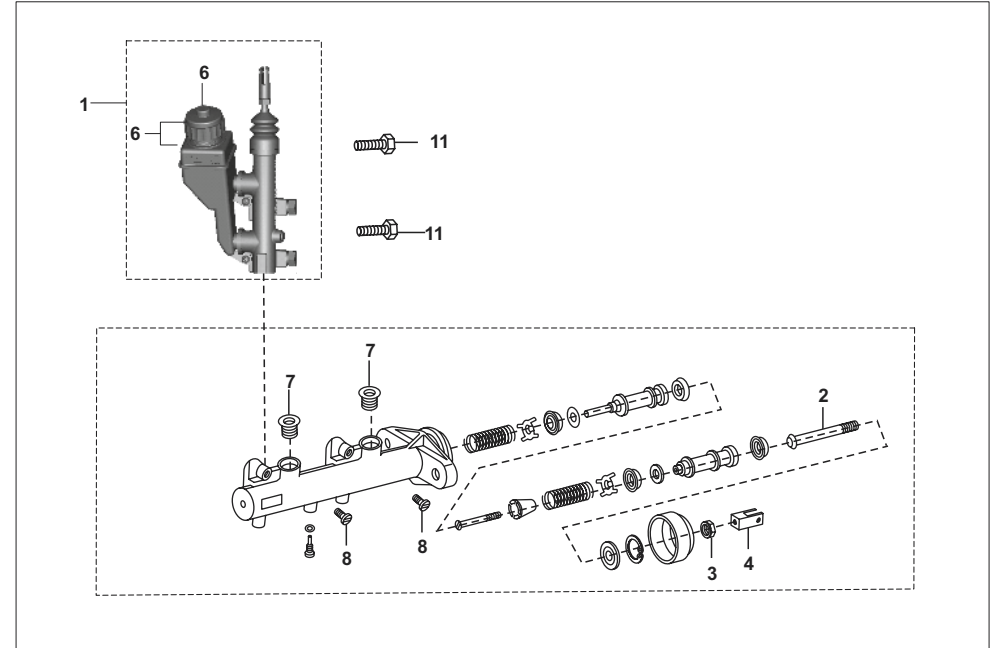
No.	Part No.	Description	QTY/VEH-205 D			205 X		Remarks
			PET	CNG	LPG	CNG	LPG	
1	AA 1710 25	Steering column assembly	1	1	1	-	-	Alt-24181147
1a	BH 1510 01	Fork assembly	-	-	-	1	1	
2	AA 1810 23	Dust cover bottom	1	1	1	-	-	
2	BH 1510 07	Cover dust lower	1	1	1	1	1	
3	AA 1810 22	Bearing race lower	1	1	1	1	1	
4	AB 1810 12	Steel ball with cage lower	1	1	1	1	1	
5	AB 1810 33	Bearing race lower outer	1	1	1	1	1	
6	BH 1510 08	Dust cover top	1	1	1	1	1	
7	BH 1510 09	Spacer fork front	1	1	1	1	1	
8	AB 1810 19	Bearing race upper outer	1	1	1	1	1	
9	AB 1810 17	Steel ball with cage upper	1	1	1	1	1	
10	24 1810 46	Bearing race-upper outer	1	1	1	1	1	
11	24 1614 43	Dust cover	1	1	1	1	1	
12	24 1810 47	Lock nut	2	2	2	2	2	
13	AB 1810 20	Spacer washer bearing	1	1	1	1	1	
14	AB 1810 23	Plate upper	1	1	1	1	1	
15	AB 1810 22	Plate assly lower	1	1	1	1	1	
16	22 1810 58	Steering lock plate assly	1	1	1	1	1	



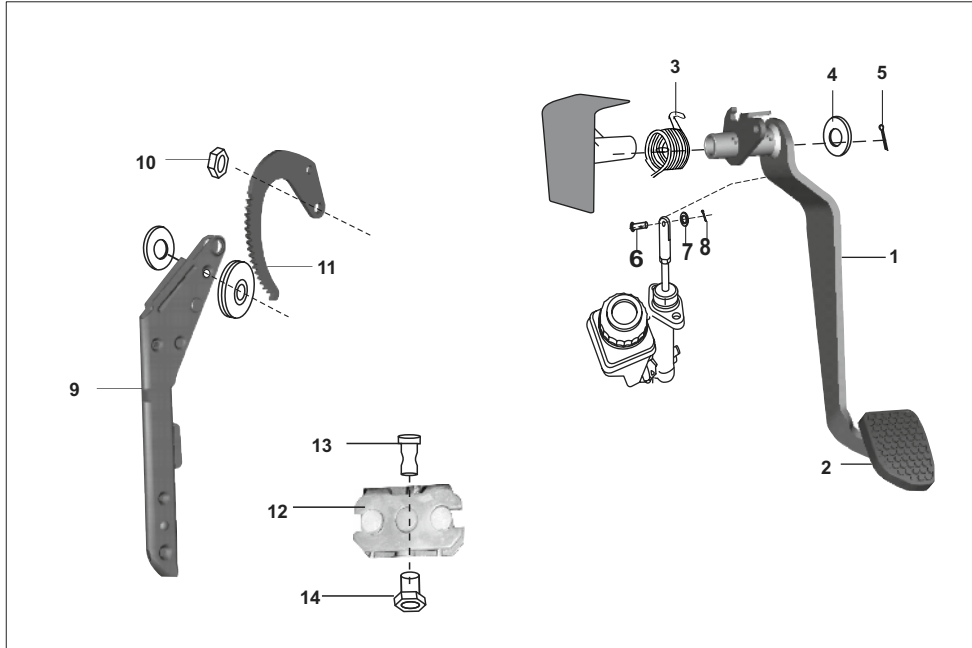
No.	Part No.	Description	QTY/VEH-205 D			205 X		Remarks
			PET	CNG	LPG	CNG	LPG	
17	21 1803 07	Knob	1	1	1	1	1	
18	21 1803 08	Spring	1	1	1	1	1	
19	39 0198 11	Washer plain	1	1	1	1	1	
20	KA AD05 20	Bolt	2	2	2	1	1	
21	BH 1110 56	Rubber flap	-	-	-	1	1	
22	BH 1210 02	Strap cable (210x6)	-	-	-	1	1	
23	CL 1810 24	Nipple grease	1	1	1	-	-	



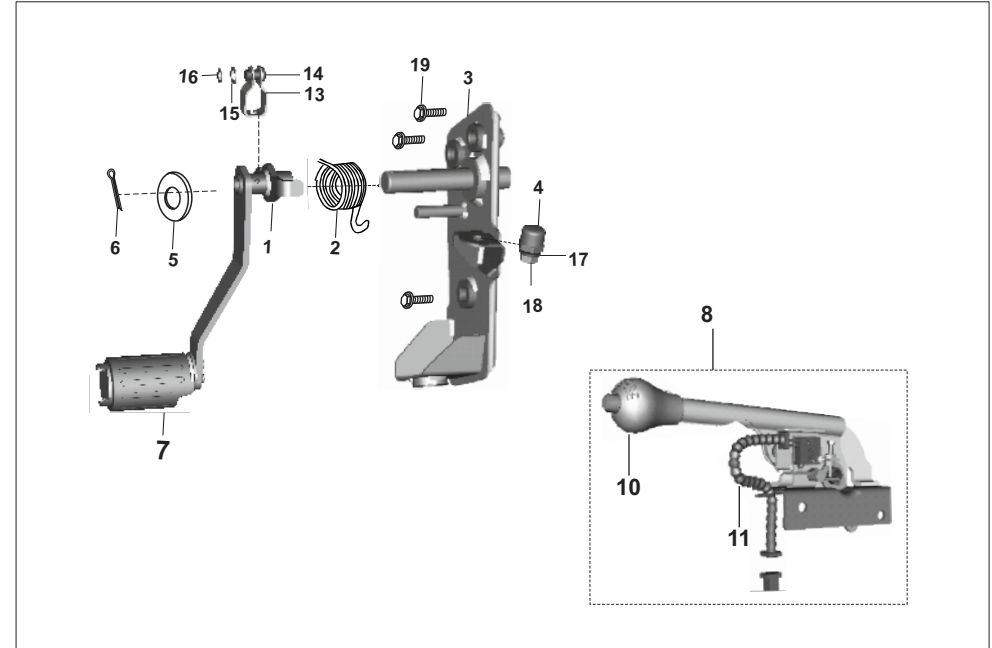
No.	Part No.	Description	QTY/VEH-205 D			205 X		Remarks
			PET	CNG	LPG	CNG	LPG	
1	24 1512 21	Assembly brake oil circuit refl	1	1	1	-	-	
1	AZ 1318 02	Assembly brake oil circuit refl	--	--	--	1	1	
2	21 1504 22	Packing - copper washer	8	8	8	8	8	
3	AB 1510 49	Bolt - M10 X 1 :- Banjo, Brake	3	3	3	3	3	
4	KA DD10 30	Bolt-flange-tmc mounting	2	2	2	2	2	
5	24 1512 34	Hose rear circuit-1	1	1	1	1	1	
6	24 1512 21	Assembly brk pipe Rr.-2	1	1	1	-	-	
6	AZ 1318 02	Assembly brk pipe Rr.-2	--	--	--	1	1	
7	AA 1510 39	Hose brake front	1	1	1	-	-	
7	BH 1318 04	Hose brake front	--	--	--	1	1	
8	BG 1138 04	Clamp brake pipe	6	6	6	6	6	
9	BH 1318 07	Grommet	1	1	1	1	1	
10	EC 1318 35	Clip Hose	1	1	1	1	1	N.I
11	AB 1510 50	Connector brake pipe (m10x1)	1	1	1	1	1	
12	DS 1611 25	Cable guide	-	-	-	1	1	
13	AB 1510 53	Banjo union	2	2	2	2	2	N.S
14	24 1512 28	Grommet	1	1	1	1	1	
15	BH 1310 07	Clip brake pipe	--	--	--	2	2	



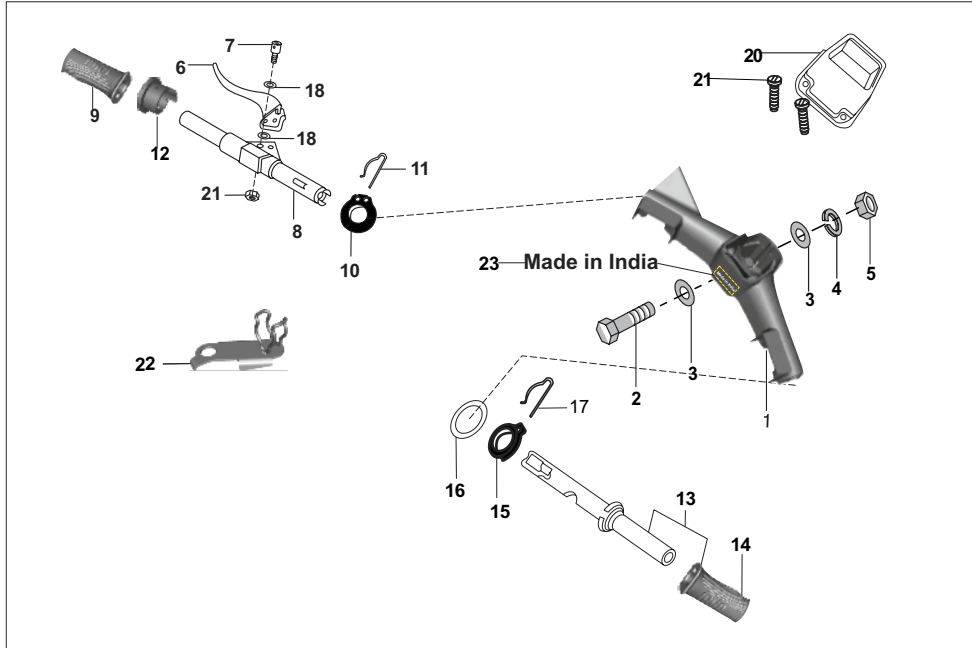
No.	Part No.	Description	QTY/VEH-205 D			205 X		Remarks
			PET	CNG	LPG	CNG	LPG	
1	24 1512 58	Cylinder comp.- tandem master+oil container	1	1	1	1	1	
2	24 1510 87	Push rod complete	1	1	1	1	1	
3	24 1510 94	Hex. nut	1	1	1	1	1	
4	24 1510 90	Fork rod push	1	1	1	1	1	
5	AB 1510 54	Oil container with cap	1	1	1	1	1	
6	AB 1510 72	Cap - oil reservoir	1	1	1	1	1	
7	24 1510 92	Seal-oil supply port	2	2	2	2	2	
8	24 1510 93	Screw reservoir mtg.	2	2	2	2	2	
9	24 1510 97	Major kit	1	1	1	1	1	N.I.
10	24 1510 98	Minor Kit	1	1	1	1	1	N.I.
11	39 1389 04	Hex bolt TMC mounting	2	2	2	2	2	



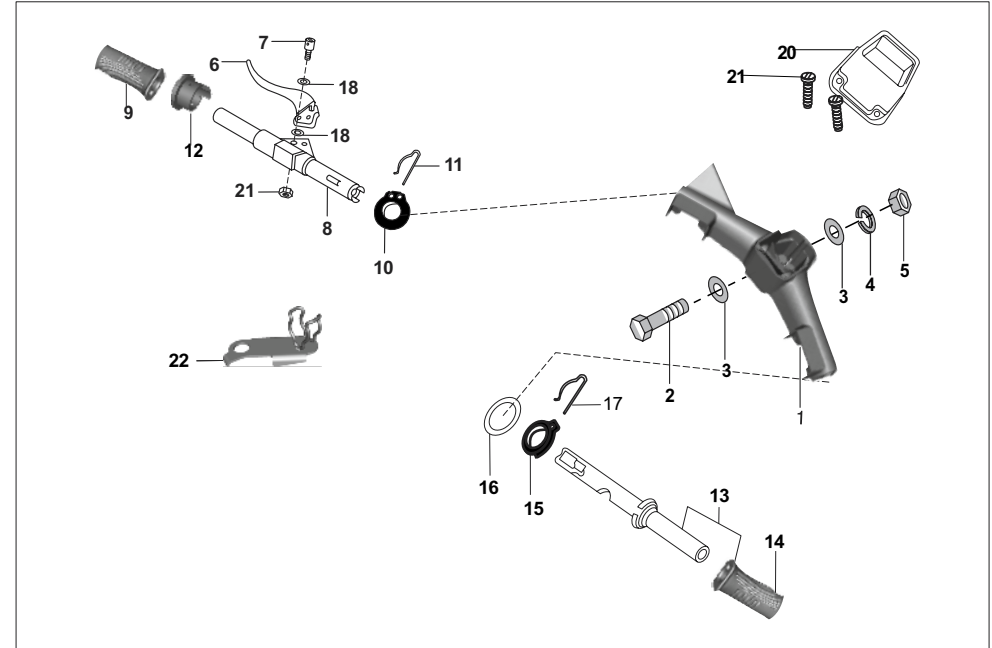
No.	Part No.	Description	QTY/VEH-205 D			205 X		Remarks
			PET	CNG	LPG	CNG	LPG	
1	24 1512 56	Assembly brake pedal with pad	1	1	1	1	1	
2	24 1512 32	Pad brake pedal	1	1	1	1	1	
3	24 1512 55	Spring brake pedal retainer	1	1	1	1	1	
4	39 0208 11	Plain washer	2	2	2	2	2	
5	39 0147 08	Split pin	1	1	1	1	1	
6	39 1702 07	Clevis pin with head	1	1	1	1	1	
7	39 0199 11	Plain washer	1	1	1	1	1	
8	39 0146 08	Split pin	1	1	1	1	1	
9	24 1510 61	Hand brake lever assembly	1	1	1	1	1	
10	39 0694 15	Nut - hexagon lock M8 X 1.25	3	3	3	3	3	
11	22 1505 07	Ratchet	1	1	1	1	1	
12	24 1510 67	Bracket - rear cable guide	1	1	1	1	1	
13	24 1510 68	Pin - rear cable guide	1	1	1	1	1	
14	24 1512 38	Special nut - hand brake	1	1	1	1	1	
15	KE CA70 08	Circlip type E	-	-	-	2	2	NI



No.	Part No.	Description	QTY/VEH-205 D			205 X		Remarks
			PET	CNG	LPG	CNG	LPG	
1	BB 1910 29	Assly clutch pedal with damper	--	--	--	1	1	
2	BH 1610 07	Spring - return :- clutch pedal	--	--	--	1	1	
3	BH 1610 09	bracket clutch pedal mtg fl	--	--	--	1	1	
4	DH 1611 94	kick stopper	--	--	--	1	1	
5	39 0208 11	Plain washer	--	--	--	1	1	
6	39 0147 08	Split pin	--	--	--	2	2	
7	BH 1610 10	Damper	--	--	--	1	1	
8	AZ 1610 00	Lever assembly reverse	1	1	1	1	1	
9	AL 1511 04	controller lever hbrake	1	1	1	1	1	NI
10	AN 1910 17	Grip hand reverse	1	1	1	1	1	
11	24 2014 21	reverse switch & cable assy.	1	1	1	1	1	
12	AZ 1610 01	spring tension-reverse gear	1	1	1	1	1	NI
13	BH 1610 11	Clutch cable holder fl	--	--	--	1	1	
14	BH 1610 12	Pin cable holder fl	--	--	--	1	1	
15	LD A000 02	Washer plain small	--	--	--	1	1	
16	KE AA10 10	Circlip external	--	--	--	1	1	
17	KD DA08 15	Washer spring thin	--	--	--	1	1	
18	KA AA08 12	Bolt	--	--	--	1	1	
19	KA EB08 30	Bolt-flanged-small	--	--	--	3	3	
20	39 0855 71	E-type circlip	1	1	1	1	1	
21	39 1027 02	Screw -cross cheese - for grip	1	1	1	1	1	
22	AI 1511 05	Spring - hand brake	1	1	1	1	1	NI
23	Bf 1612 83	Clip cable lock	--	--	--	1	1	



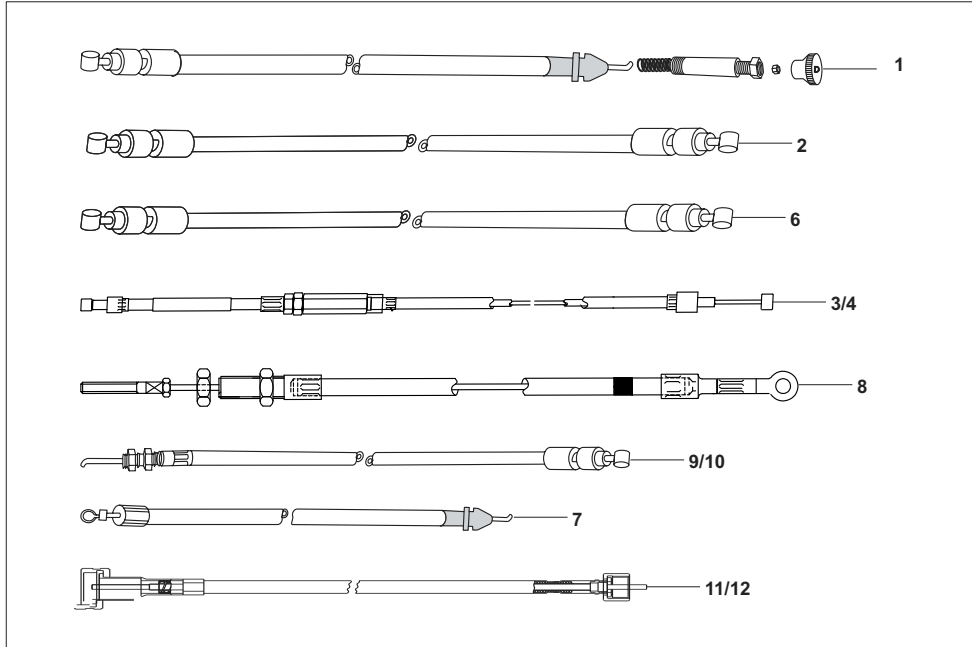
No.	Part No.	Description	QTY/VEH-205 D			205 X		Remarks
			PET	CNG	LPG	CNG	LPG	
1	AP 1610 48	Handle bar body	1	1	1	1	1	
2	39 1377 04	Hex. bolt with collar	1	1	1	1	1	
3	39 0201 11	Plain washer	2	2	2	2	2	
4	39 1829 12	Spring washer	1	1	1	1	1	
5	39 0296 15	Hex nut	1	1	1	1	1	
6	AA 1910 32	Lever clutch	1	1	1	--	--	
7	24 1911 05	Lever clutch screw	1	1	1	--	--	
8	24 1810 74	Assembly gear cntl tube	1	1	1	--	--	
8	BB 1910 25	Gear control tube	--	--	--	1	1	
9	06 1910 89	Grip hand gear control	1	1	1	--	--	
9	BA 1910 80	Grip hand gear control	--	--	--	1	1	
10	24 1911 84	Gear control pulley	1	1	1	--	--	
10	24 1911 00	Pulley gear control	--	--	--	1	1	
11	24 1911 85	Spring clip	1	1	1	1	1	
12	24 1910 99	Indicator ring gear handle bar	1	1	1	1	1	
13	24 1911 87	Assembly gas cntl tube	1	1	1	1	1	with grip
13	24 1910 98	Gas control tube assly	1	1	1	1	1	



No.	Part No.	Description	QTY/VEH-205 D			205 X		Remarks
			PET	CNG	LPG	CNG	LPG	
14	06 1910 89	Hand grip acc	1	1	1	1	1	
15	24 1911 01	Pulley gas control	1	1	1	1	1	
16	01 1901 15	Spacer ring	1	1	1	1	1	
17	CM 1910 49	Spring clip	1	1	1	1	1	
18	39 0941 11	Plain washer	2	2	2	--	--	N.S
19	LH C000 01	Pin spring gear cotr.tube-di	1	1	1	1	1	NI
20	AP 1610 47	Handle bar top cover	1	1	1	1	1	
21	KB UC04 10	Screw Truss M4 X 0.7P	3	3	3	3	3	
22	24 1512 47	Assembly brac. guide hose fl	1	1	1	--	--	
23	24 2500 05	Made in India Label	1	--	--	--	--	for Srilanka

PLATE NO. 46: CONTROL CABLES

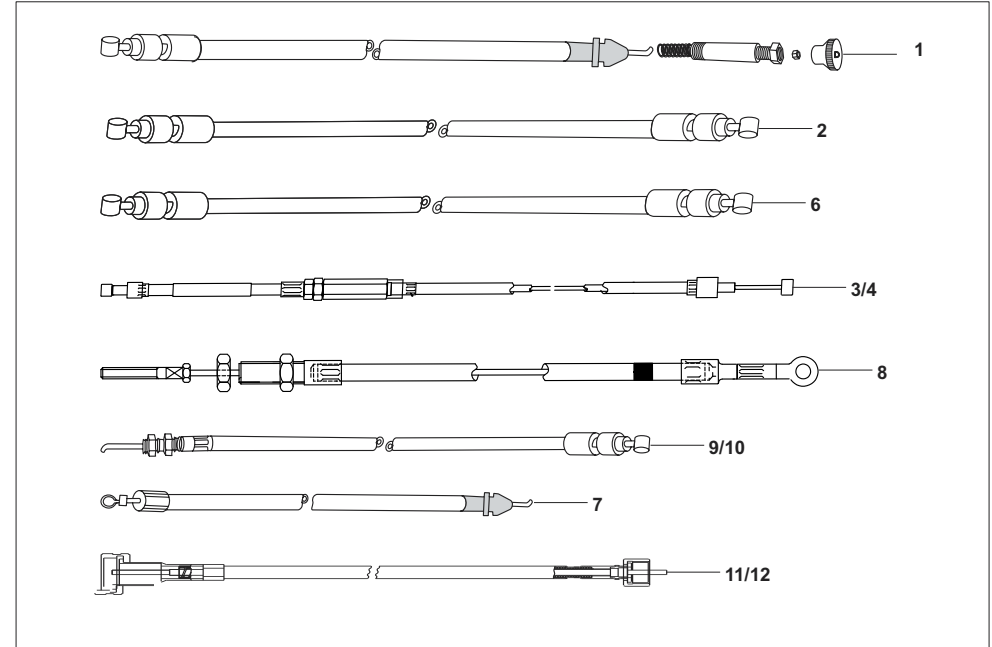
RE 45/4-STROKE
PETROL,CNG,LPG



No.	Part No.	Description	QTY/VEH-205 D			205 X		Remarks
			PET	CNG	LPG	CNG	LPG	
1	24 1911 82	Choke cable comp	1	1	1	-	-	
1	AZ 1610 03	Choke cable comp	--	--	--	1	1	
2	AA 1910 91	Cable complete accelerator	1	1	1	-	--	
2	AZ 1612 09	Cable complete accelerator	--	--	--	1	1	
3	AA 1910 94	Cable assy gear comp.(white)	1	1	1	-	--	
3	AZ 1612 07	Cable assy gear comp.(white)	--	--	--	1	1	
4	AA 1910 93	Cable assy gear comp.(Black)	1	1	1	-	--	
4	AZ 1612 08	Cable Gear Complete Black	--	--	--	1	1	
5	AA 1910 95	Gear cable inner	1	1	1	-	--	N.S
5	BA 1910 50	Gear cable inner	--	--	--	1	1	
6	AA 1910 92	Clutch cable complete	1	1	1	-	--	
6	AZ 1612 17	Clutch cable complete	--	--	--	1	1	
7	AZ 1612 12	Rev. cable assly.	1	1	1	1	1	
8	BG 1318 02	Cable assly. H/Br. front	1	1	1	1	1	
9	24 1510 59	Cable assly. H/Br. rear LH	1	1	1	-	--	
9	BH 1612 14	Cable assly. H/Br. rear LH	--	--	--	1	1	
10	24 1510 60	Cable assly. H/Br. rear RH	1	1	1	-	--	
10	BH 1612 15	Cable assly. H/Br. rear RH	--	--	--	1	1	

PLATE NO. 46 : CONTROL CABLES

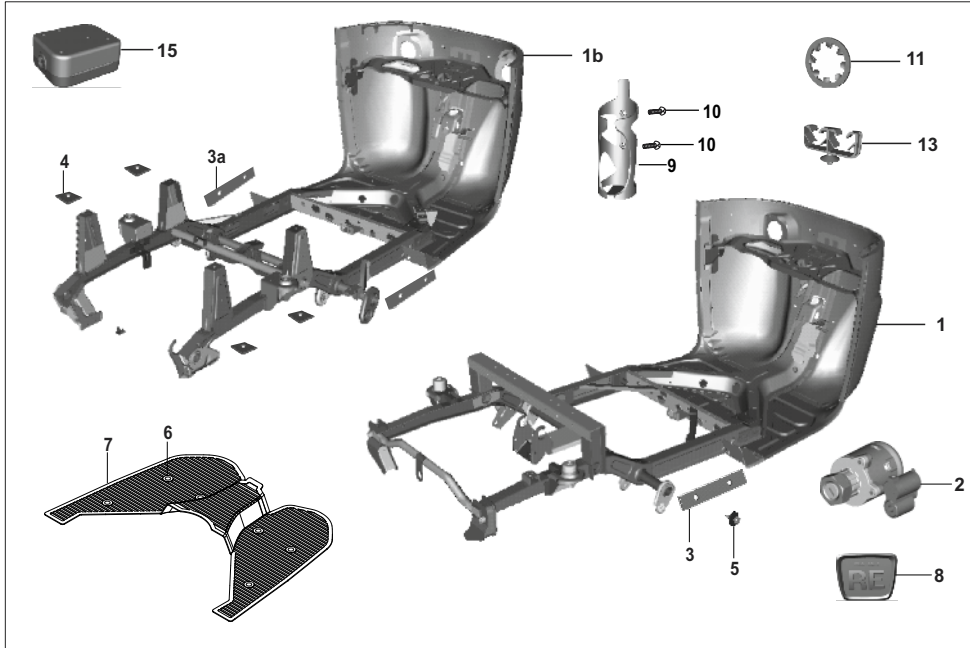
RE 45/4-STROKE
PETROL,CNG,LPG



No.	Part No.	Description	QTY/VEH-205 D			205 X		Remarks
			PET	CNG	LPG	CNG	LPG	
11	AA 1911 02	Cable speedometer	1	1	1	-	--	
11	AZ 1612 15	Cable Complete - Speedometer	--	--	--	1	1	
12	AM 1910 05	Inner speedometer	1	1	1	-	--	
12	AL 1910 20	Inner speedometer	--	--	--	1	1	
13	39 1587 21	O ring (speedo adaptor)	1	1	1	-	--	
13	39 1587 21	O ring (speedo adaptor)	--	--	--	1	1	
14	24 1510 67	Bracket - Rear Cable Guide	1	1	1	--	1	NI
15	BA 1910 40	Sleeve For Cables	--	--	--	1	1	NI N.S
16	22 2501 32	Cable assembly electric white	1	1	1	-	--	

PLATE NO. 47 : FRAME CHASSIS ASSLY

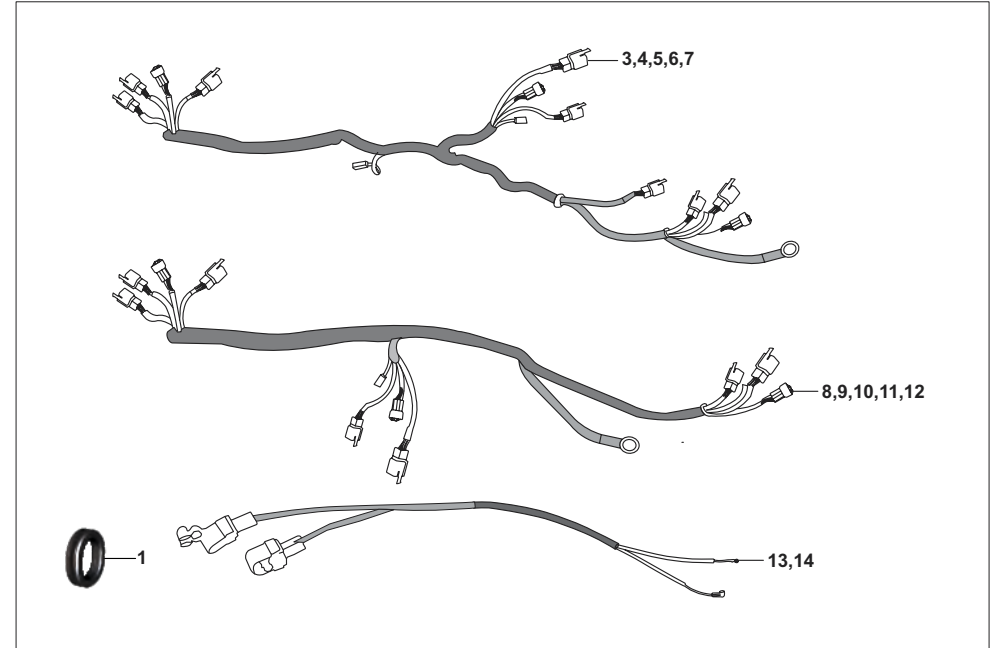
RE 45/4-STROKE
PETROL,CNG,LPG



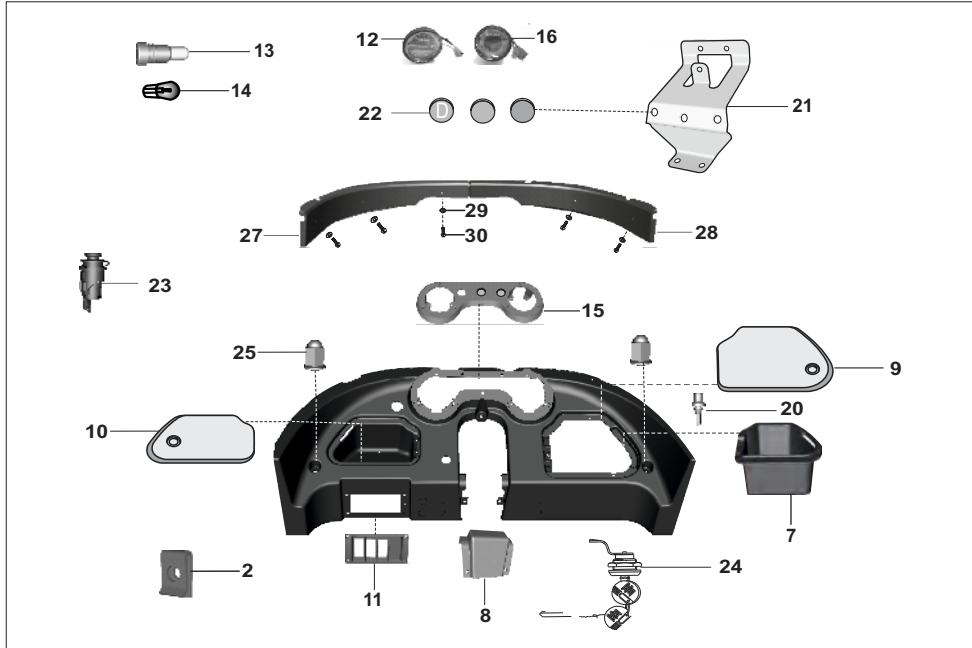
No.	Part No.	Description	QTY/VEH-205 D			205 X		Remarks
			PET	CNG	LPG	CNG	LPG	
1	AA 1612 10	Bare chassis complete	1	--	--	--	--	ED-52240681
1a	AF 1611 14	Bare chassis complete	--	1	1	--	--	ED-52240678
1b	AZ 1110 26	Frame assembly complete	--	--	--	1	1	ED-52AZ0021 N.S
2	24 1811 53	Lock set	1	1	1	--	--	
2a	AZ 2326 01	Lock set	--	--	--	1	--	
2b	AZ 2326 02	Lock set	--	--	--	--	1	
3	24 2317 26	Packing	8	8	8	--	--	
3a	AL 1613 92	Packing	--	--	--	6	6	
4	24 2313 36	Packing for body	--	--	--	4	4	
5	AA 2312 45	Bolt combination	8	8	8	--	--	
6	BB 2312 71	Plug : mat fixing	--	--	--	6	6	
7	24 1652 15	Mat floor front fl	1	1	1	1	1	
8	BG 2330 02	RE logo	1	1	1	1	1	
9	24 1614 46	Water bottle holder	1	1	1	1	1	
10	39 1076 01	Screw	2	2	2	2	2	
11	LD F000 01	Washer - lock toothed	2	2	2	2	2	
12	KA DA06 12	Bolt-flange	1	1	1	1	1	
13	AL 2011 27	Clip plastic twin dia 17	1	1	1	1	1	
14	36 2440 42	steering lock(24181016) with key	1	1	1	1	1	
15	Bh 1812 04	Coupler box fl	--	--	--	1	1	
16	KA Da06 14	Bolt flanged couler box	--	--	--	2	2	

PLATE NO. 48 : HARNESS WIRING

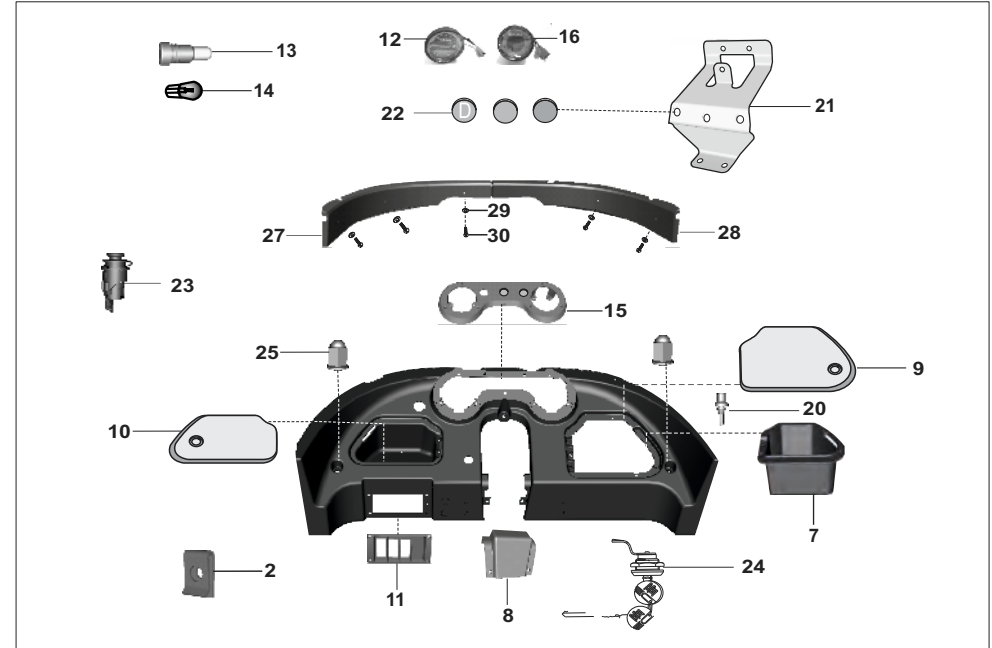
RE 45/4-STROKE
PETROL,CNG,LPG



No.	Part No.	Description	QTY/VEH-205 D			205 X		Remarks
			PET	CNG	LPG	CNG	LPG	
1	24 1652 30	Grommet upper part	1	1	1	1	1	
2	BH 1110 92	Grommet wiring harness	1	1	1	1	1	
3	AA 2012 50	Harness Wiring Fr PET	1	--	--	--	--	Ref. Cir. IB-67
	AA 2012 75	Harness Wiring Fr PET	1	--	--	--	--	
4	AF 2011 72	Harness Wiring Fr CNG	--	1	--	--	--	Ref. Cir.. IB-81
5	AM 2010 87	Harness Wiring Fr LPG	--	--	1	--	--	
6	AM 2011 09	Harness Wiring Fr LPG	--	--	1	--	--	Ref. Cir.. IB-81
7	RA 4022 07	Harness wiring-Fr LPG	--	--	--	--	1	
8	AA 2012 65	Harness rear PET	1	--	--	--	--	Ref. Cir. IB-67
	AA 2012 76	Harness rear PET	1	--	--	--	--	
9	AF 2011 80	Harness rear CNG	--	1	--	--	--	Ref. Cir.. IB-81
10	AM 2011 00	Harness rear LPG	--	--	1	--	--	
11	AZ 4022 12	Harness rear CNG	--	--	--	1	--	Ref. Cir.. IB-81
12	RA 4022 05	Harness rear LPG	--	--	--	--	1	
13	AA 2012 52	Cable battery	1	1	1	--	--	
14	AZ 4022 08	Cable battery	--	--	--	1	1	
15	24 2015 00	Cable Taillamp With Holder Lh	1	1	1	--	--	NI
16	24 2015 01	Cable Taillamp With Holder Rh	1	1	1	--	--	NI



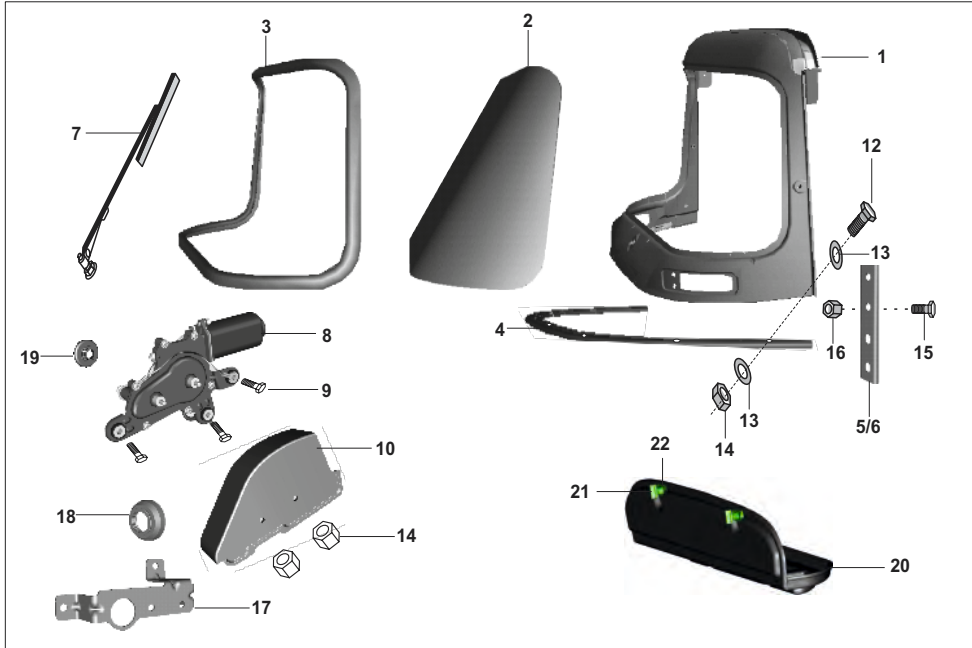
No.	Part No.	Description	QTY/VEH-205 D			205 X		Remarks
			PET	CNG	LPG	CNG	LPG	
1	AA 1612 15	Dashboard plastic	1	1	1	1	1	
2	CE 1810 15	Nut - clip : m4x0.7	15	15	15	15	15	
3	59 0100 05	Screw M4 X0.7x15	9	9	9	9	9	
4	59 0100 07	Screw - cross recess	6	6	6	6	6	
5	39 0291 15	Nut - hexagon :- M5 X 0.8	4	4	4	4	4	
6	39 1523 01	Screw pan cross - M5	4	4	4	4	4	
7	24 1613 68	Toolbox right side (plastic)	1	1	1	1	1	
8	24 1613 71	Cover middle portion (plastic)	1	1	1	1	1	
9	AL 1615 03	Toolbox lid right side (plastic)	1	1	1	1	1	
10	AL 1615 02	Toolbox lid left side (plastic)	1	1	1	1	1	
11	24 1614 92	Cover for switches	-	1	1	1	1	
11	24 1613 73	Cover for switches	1	-	-	-	-	
12	AL 1910 43	Speedometer assembly	1	1	1	-	-	
12	BH 4010 10	Speedometer assembly	-	-	-	1	1	alt-AA201081
13	CM 2010 54	Lamp :- 12v - 2w,Without cap	--	1	--	1	1	
14	DL 1910 20	Lamp :- 12v - 3w,Without cap	--	--	--	1	1	
15	AA 1612 16	Cover speedometer Refl	1	1	1	1	1	



No.	Part No.	Description	QTY/VEH-205 D			205 X		Remarks
			PET	CNG	LPG	CNG	LPG	
16	AA 2011 94	Indicator assembly pet	1	-	-	-	-	
	AA 2012 72	Indicator assembly pet	1	-	-	-	-	Ref. Cir. IB-67
16	AF 2011 44	Indicator assembly CNG	-	1	-	1	-	
17	AM 2010 63	Indicator assembly LPG	-	-	1	-	1	
	AM 2011 10	Indicator assembly LPG	-	-	1	-	1	Ref. Cir IB-81
18	39 2454 01	Screw - hexagon head :- M5	6	6	6	6	6	
19	59 0100 07	Screw - cross recess	6	6	6	6	6	
20	24 2301 98	Pad - rubber	2	2	2	2	2	
21	AA 1612 25	Bracket control mounting FI	1	1	1	1	1	
22	AZ 1612 13	Knob choke	1	1	1	1	1	
23	AL 2011 00	Charger mobile	1	1	1	1	1	
24	36 AL00 16	kit Lock(AL161362) With Key	1	1	1	1	1	
25	39 1704 15	Domed cap nut M6-	2	2	2	2	2	
26	39 0211 11	Washer plain	3	3	3	3	3	
27	AA 1612 18	Trim upper small LH	1	1	1	1	1	
28	AA 1612 19	Trim upper small RH	1	1	1	1	1	
29	39 1839 11	Washer plain	5	5	5	5	5	
30	39 1524 01	Screw pan cross m5x28	5	5	5	5	5	
31	KC GD08 08	Nut hex flanged-control bkt	2	2	2	2	2	
32	AA 1611 87	Tyre Pressure Label	1	-	-	-	-	for Srilanka (N.I.)

PLATE NO. 50 : WINDSHIELD & WIPER MOTOR

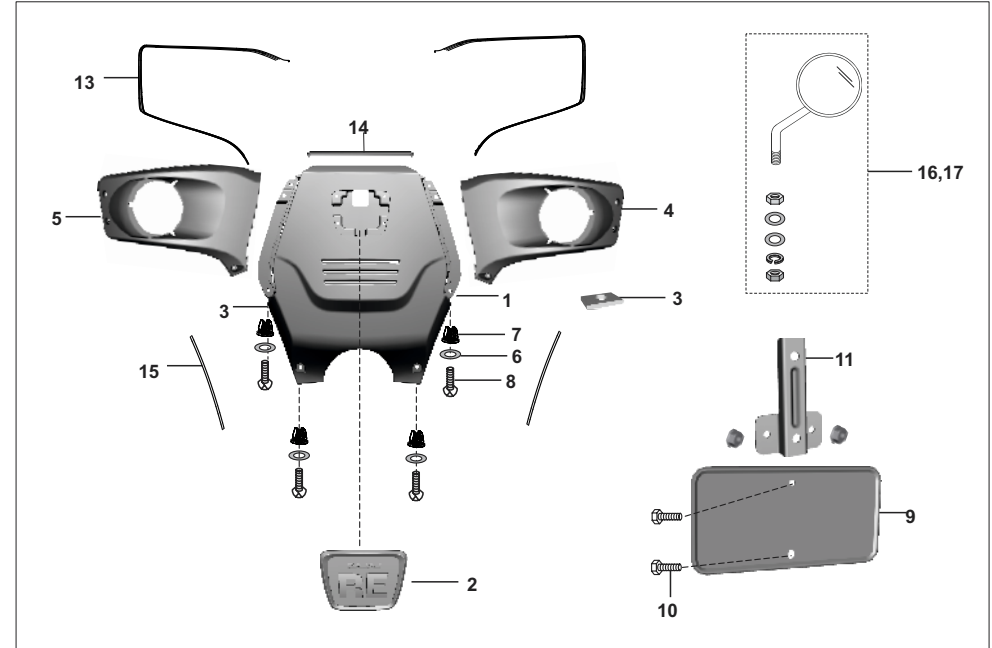
RE 45/4-STROKE
PETROL,CNG,LPG



No.	Part No.	Description	QTY/VEH-205 D			205 X		Remarks
			PET	CNG	LPG	CNG	LPG	
1	24 2315 93	Wind shield assly	1	1	1	1	1	alt ED-52240645 N.S
2	AA 2312 78	Glass one piece (windshield)	1	1	1	1	1	From Oct.2013 alt ED-52240646
	BH 1840 00	Glass one piece (Green windshield)	1	1	1	1	1	
3	AA 2312 42	Beading one piece w/s glass	1	1	1	1	1	Alternate Aa231239 N.S
4	24 2316 41	Packing shield and w shield	1	1	1	1	1	39069201 N.S
5	24 2316 15	Joint plate LH	1	1	1	1	1	
6	24 2316 16	Joint plate RH	1	1	1	1	1	
7	AL 2410 23	Wiper assly	1	1	1	1	1	
8	AA 2012 63	Wiper motor with capacitor	1	1	1	1	1	
9	KA DA06 20	Bolt-flange-kad st-a dia-06 I-20	3	3	3	3	3	
10	AA 2312 23	Cover wiper motor black	1	1	1	1	1	
12	39 0085 04	Bolt	11	11	11	11	11	
13	39 0258 11	Plain washer	18	18	18	18	18	
14	39 2484 15	Flange nut	11	11	11	11	11	
15	KA Aa05 16	Screw - hexagon head :- m5	8	8	8	8	8	
16	39 0326 15	Flanged nut	11	11	11	11	11	
17	24 2316 25	Bracket wiper motor mounting	1	1	1	1	1	
18	BH 1110 71	Cap wiper motor big	1	1	1	1	1	
19	24 2015 25	Grommet wiper motor big	1	1	1	1	1	
20	24 2316 99	Assembly utility head box	1	1	1	-	-	
21	24 2315 22	lock - i :- utility box	2	2	2	-	-	
22	24 2315 23	lock - ii :- utility box	2	2	2	-	-	

PLATE NO. 51 : STEERING & HEAD LAMP COVER

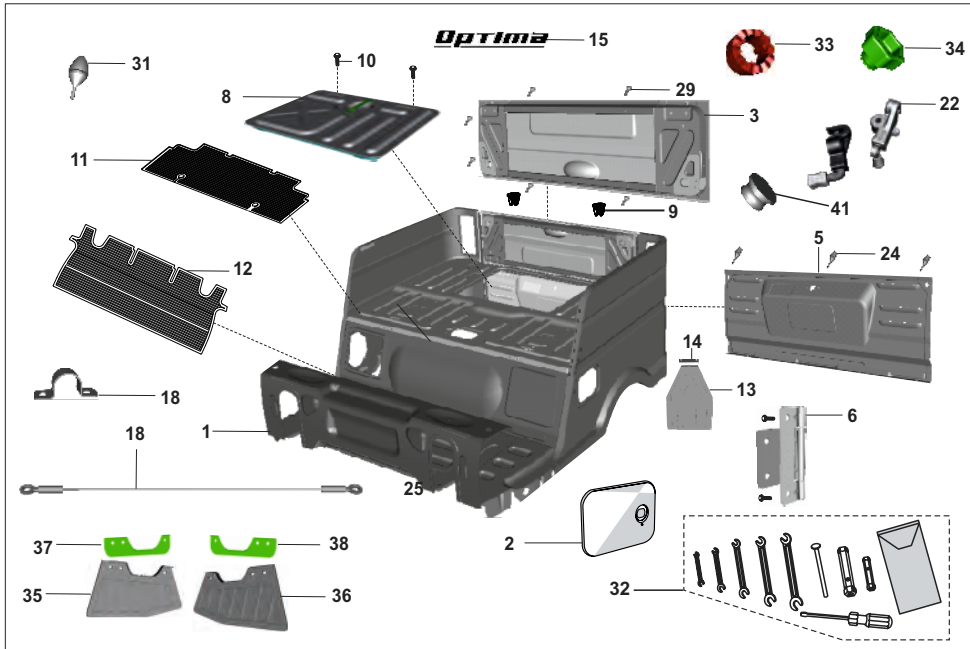
RE 45/4-STROKE
PETROL,CNG,LPG



No.	Part No.	Description	QTY/VEH-205 D			205 X		Remarks
			PET	CNG	LPG	CNG	LPG	
1	24 1651 16	Assembly steering cover	1	1	1	1	1	with BG233002
2	BG 2330 02	Emblem bajaj re for scudo	1	1	1	1	1	
3	24 1652 14	Grommet steering cover	1	1	1	1	1	
4	AA 1611 90	Housing headlamp LH	1	1	1	1	1	
5	AA 1611 91	Housing headlamp RH	1	1	1	1	1	
6	39 0454 11	Washer - plain	4	4	4	4	4	
7	AL 1612 36	Plug for blinker housing	4	4	4	4	4	
8	59 0100 05	Screw round head	4	4	4	4	4	
9	22 1612 21	Plate -number	1	1	1	1	1	
10	39 1680 04	Bolt for fr. no plate mtg	2	2	2	2	2	
11	24 1651 32	Bracket fr number plate mtg	1	1	1	1	1	
12	39 0817 15	Nut for bkt mounting	2	2	2	2	2	
13	AA 1612 68	Beading housing headlamp	2	2	2	2	2	
14	AA 1612 69	Beading steering cover upper	1	1	1	1	1	
15	AA 1612 70	Beading st. cover lower fl	2	2	2	2	2	
16	AA 2210 05	Mirror Assly. LH	1	1	1	-	-	
17	AA 2210 06	Mirror Assly. RH	1	1	1	-	-	
16	BH 1846 01	Mirror Assly. LH	-	-	-	1	1	alt - BB221002
17	BH 1846 02	Mirror Assly. RH	-	-	-	1	1	alt - BB221003

PLATE NO.52a: PASSENGER BODY

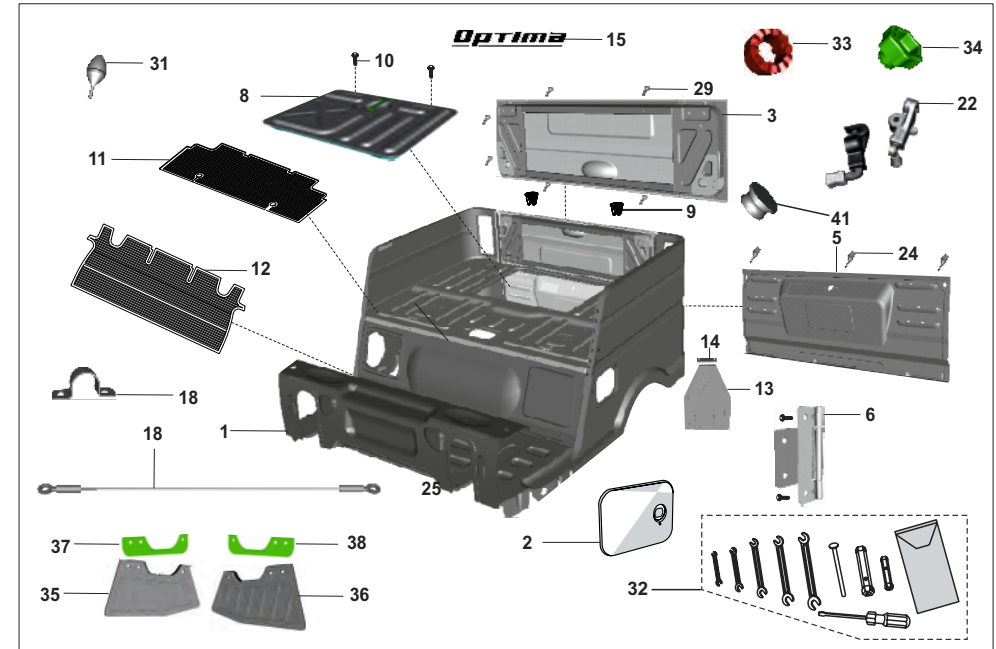
RE 45/4-STROKE
PETROL,CNG,LPG



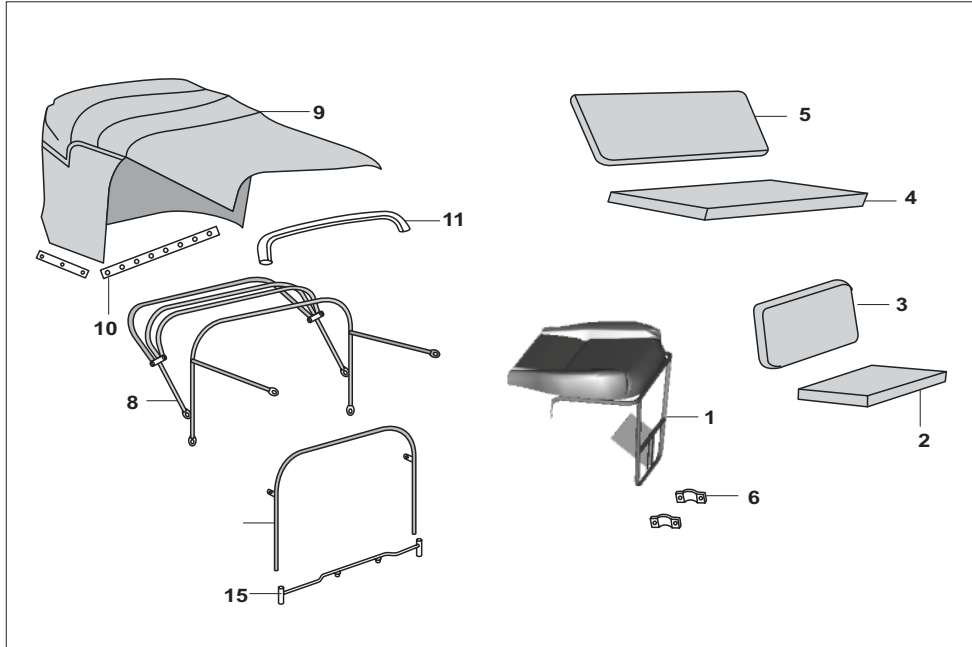
No.	Part No.	Description	QTY/VEH-205 D			205 X		Remarks
			PET	CNG	LPG	CNG	LPG	
1	AZ 2110 28	Assembly body complete	--	--	--	1	1	alt ED -52BH0060
2	BH 2110 12	Door assembly fuel filling	--	--	--	1	1	52BH0056
3	BH 2110 16	Door rear upper	--	--	--	1	1	52BH0058
4	BH 2414 00	Hinge door rear upper	--	--	--	1	1	
5	BH 2111 48	Door rear lower	--	--	--	1	1	52BH0059
6	BH 2111 81	Hinge door rear lower	--	--	--	2	2	N.S
7	AZ 2110 10	Cover assy gas filling	--	--	--	1	1	N.S
8	BH 2110 14	Door engine access	--	--	--	2	2	52BH0057
9	AL 1615 09	Grommet screw eng door	--	--	--	2	2	
10	39 1907 01	Screw - truss cross	--	--	--	2	2	
11	24 1652 16	Mat panel floor top	--	--	--	1	1	
12	BH 1824 03	Matting for panel floor lower	--	--	--	1	1	
13	BH 1814 01	Flap mud RR	--	--	--	2	2	
14	BH 1814 02	Plate for mudflap	--	--	--	2	2	
15	BH 2330 05	Emblem optima	--	--	--	1	1	
16	AF 2210 02	Bracket for mtg fire exting	--	--	--	1	1	NI
17	AZ 1138 04	Pad for fire ext. Bkt	--	--	--	1	1	
18	AZ 1138 01	Clamp -mtg fire ext. Bracket	--	--	--	2	2	
19	39 0817 15	Hex nut/flange-m6	--	--	--	4	4	
20	39 0326 15	Nut nyloc m5x0.8 packing	--	--	--	1	1	

PLATE NO.52a: PASSENGER BODY

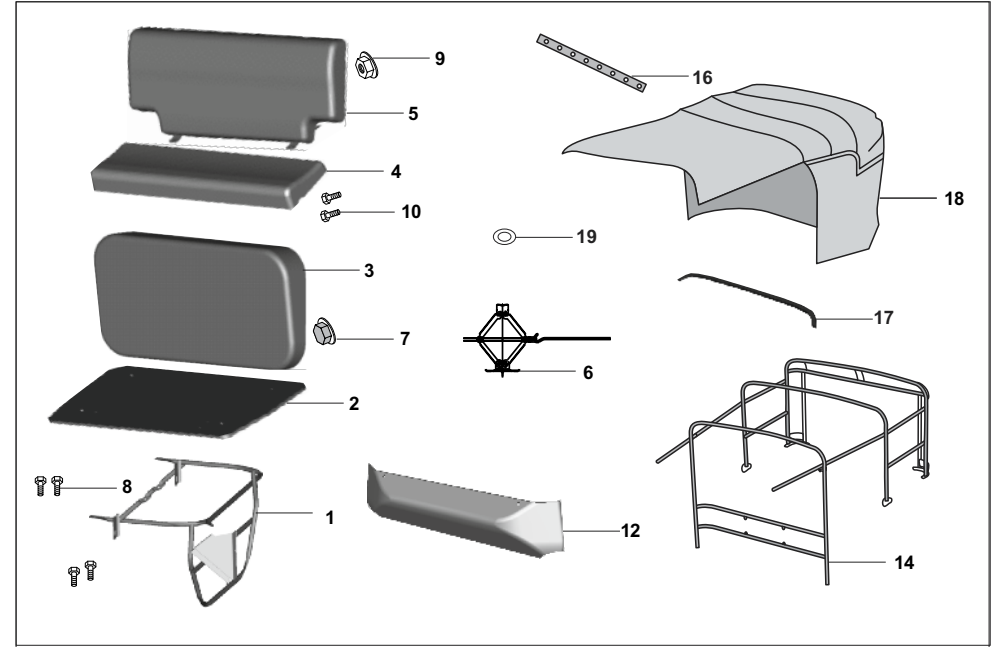
RE 45/4-STROKE
PETROL,CNG,LPG



No.	Part No.	Description	QTY/VEH-205 D			205 X		Remarks
			PET	CNG	LPG	CNG	LPG	
21	36 2440 42	Kit st lock (24181016) with key	--	--	--	1	1	NI
22	BH 2418 00	Latch door rear upper	--	--	--	2	2	
23	LA D000 64	Bolt flanged-m6x1x1 20xpre-coat	--	--	--	2	2	
24	BH 2111 58	Rubber damper rear door lower	--	--	--	3	3	
25	BH 2414 02	Cable door holding	--	--	--	2	2	
26	BH 2110 61	Rubber damper door upper	--	--	--	2	2	NI
27	BH 2110 57	Bolt shoulder	--	--	--	4	4	NI
28	BH 2110 51	Bracket hook upper door	--	--	--	2	2	
29	BG 2210 03	Pad rubber for engine door	--	--	--	6	6	
30	39 1309 11	Plain washer	--	--	--	2	2	NI
31	06 2210 28	Shock absorber pad	--	--	--	2	2	
32	AZ 2310 00	Tool kit complete	--	--	--	1	1	
33	BH 2111 63	Rubber damper	--	--	--	1	1	
34	BH 2111 65	Knob rear door fl	--	--	--	1	1	
35	BB 1612 44	Mudflap rear lh	--	--	--	1	1	
36	BB 1612 45	Mudflap rear rh	--	--	--	1	1	
37	BH 1814 05	Plate mudflap support lh fl	--	--	--	1	1	
38	BH 1814 06	Plate mudflap support rh fl	--	--	--	1	1	
39	36 2440 44	Lock for door side w key filling	--	--	--	1	--	Aa181014
40	36 Bh00 XX	Lock spare wheel fl	--	--	--	--	--	Bh131406
41	AA 2312 73	Rubber Plug on Body	1	1	1	--	--	Ref. Cir. IB-90



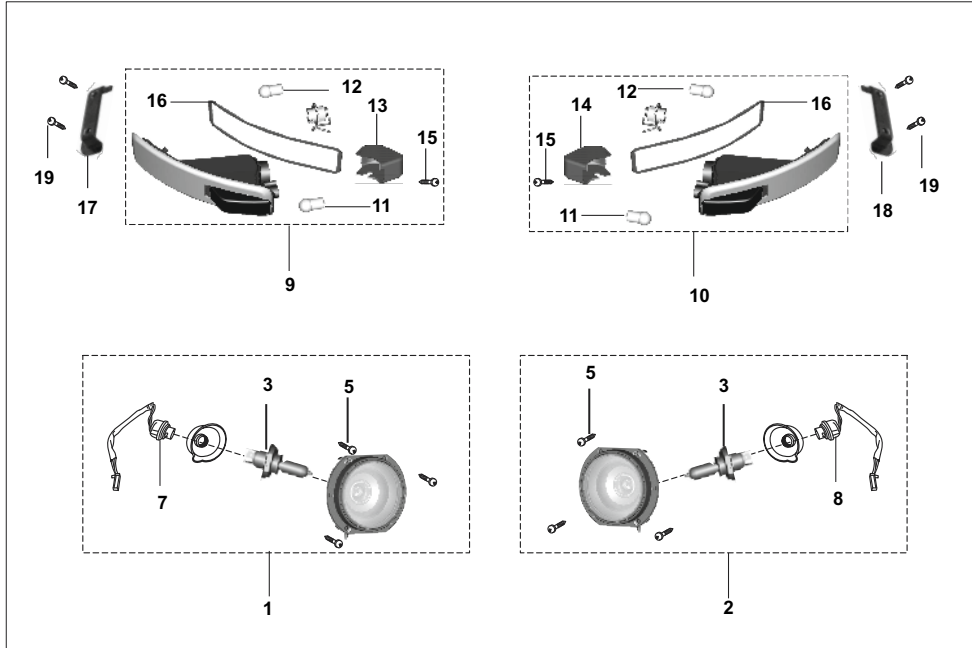
No.	Part No.	Description	QTY/VEH-205 D			205 X		Remarks
			PET	CNG	LPG	CNG	LPG	
1	AP 1610 54	Assy frame driver seat	1	1	1	-	-	with seat
1	24 2315 64	Assembly frame driver seat	1	1	1	-	-	
2	24 2315 65	Assembly seat driver	1	1	1	-	-	
3	24 2315 66	Backrest assly driver	1	1	1	-	-	
4	AA 2311 10	Seat assly passenger	1	1	1	-	-	
5	24 2110 09	Backrest passenger	1	1	1	-	-	
6	24 2311 46	Clip frame mounting	2	2	2	-	-	
7	39 1972 15	Nut - hexagon with flange	4	4	4	-	-	
8	24 2317 48	Hood frame assly	1	1	1	-	-	
9	24 2316 05	Hood complete black	1	1	1	-	-	
9	24 2317 60	Hood complete white	1	1	1	-	-	
9	24 2316 04	Hood complete re145 fl (yellow)	1	1	1	-	-	
9	24 2317 59	Hood complete green	1	1	1	-	-	
10	24 2317 61	Stripe hood fixing smaller	1	1	1	-	-	
10a	24 2317 62	Stripe hood fixing bigger	1	1	1	-	-	
11	24 2317 75	Stick assembly - hood	1	1	1	-	-	
12	AA 2311 29	Damper for seat driver	3	3	3	-	-	
13	24 2314 21	Spacer behind pass backrest	3	3	3	-	-	
14	KC HB08 09	Nut nyloc	2	2	2	-	-	
15	KD AC08 16	Washer_plain_small	4	4	4	-	-	
16	KA AA08 25	Bolt	2	4	4	-	-	
17	24 2316 20	Assembly backrest support top	1	1	1	-	-	
18	24 2317 05	Brack. seat mounting passenger	1	1	1	-	-	



No.	Part No.	Description	QTY/VEH-205 D			205 X		Remarks
			PET	CNG	LPG	CNG	LPG	
1	BH 1910 26	Driver seat Frame	--	--	--	1	1	NI
2	BH 1910 30	Assembly seat cushion	--	--	--	1	1	
3	BH 1910 19	Driver backrest	--	--	--	1	1	
4	BH 1910 09	Seat assly. Passenger	--	--	--	1	1	
5	BH 1910 22	Back rest assly. Passenger	--	--	--	1	1	
6	BB 2210 04	Jack assly.	--	--	--	1	1	
7	39 1972 15	Nut - hexagon with flange-M5	--	--	--	4	4	
8	39 1556 04	Bolt Flange	--	--	--	4	4	
9	39 2383 15	Nut - hexagon with flange-M8	--	--	--	2	2	
10	39 1557 04	Bolt M-8	--	--	--	6	6	
11	39 1680 04	Bolt - flange :- M6	--	--	--	2	2	
12	BH 1812 01	Cover spare wheel fl	--	--	--	1	1	
13	24 2316 30	Screw selfdrillbh3.5x16x15	--	--	--	2	2	
14	BH 2130 09	Hood frame assly	--	--	--	1	1	
15	BH 2130 12	Hood complete	--	--	--	1	1	
16	AT 2130 01	Stripe hood fixing RR	--	--	--	1	1	
17	24 2317 75	Stick assembly - hood	--	--	--	1	1	
18	AZ 2130 06	Rexene hood cloth assembly	--	--	--	1	1	
19	39 1159 02	Screw slotted panhead tapping	--	--	--	7	7	
20	KA Dd06 30	Screw slotted panhead tapping	--	--	--	2	2	
21	36 Bh00 29	Spare wheel lock with key	--	--	--	1	1	

PLATE NO. 54 : HEAD LIGHT ASSLY & BLINKERS

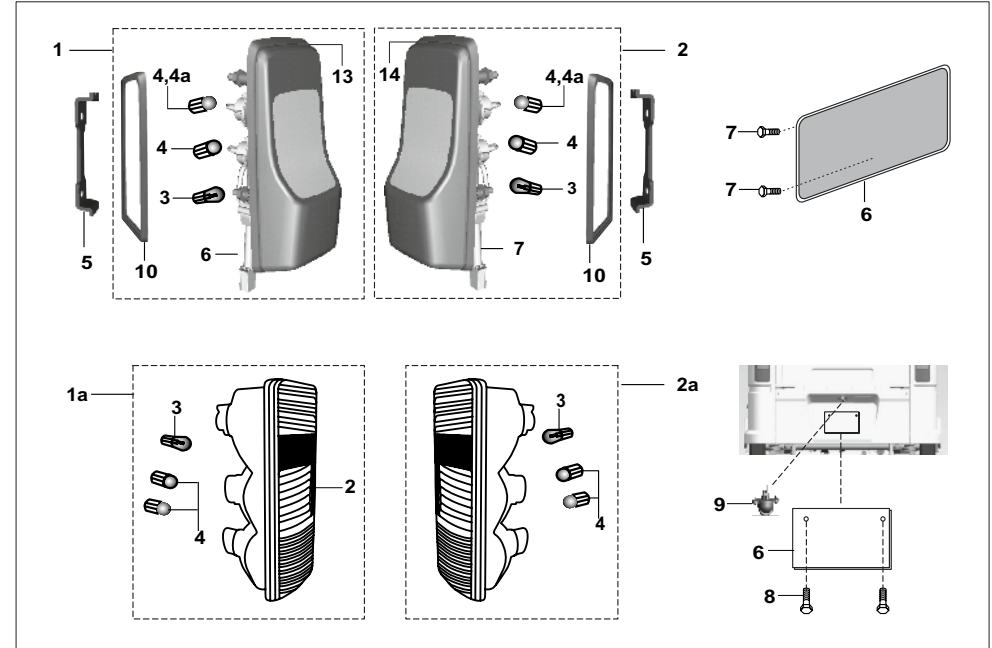
RE 45/4-STROKE
PETROL,CNG,LPG



No.	Part No.	Description	QTY/VEH-205 D			205 X		Remarks
			PET	CNG	LPG	CNG	LPG	
1	AL 2011 19	H/L Assly. LH	1	1	1	1	1	
2	AL 2011 20	H/L Assly. RH	1	1	1	1	1	
3	CL 2010 23	Lamp 12V-35/35w-HS1	2	2	2	2	2	
4	BB 2010 70	Spring - Head lamp Mtg	6	6	6	6	6	
5	AA 2012 64	Screw pan cross-M5	6	6	6	6	6	
6	39 1839 11	Plain washer	14	14	14	14	14	
7	AA 2012 62	Rubber cap headlamp fL	2	2	2	2	2	
9	24 2014 87	Ind assly. Front LH/ Lamp	1	1	1	1	1	
10	24 2014 88	Ind assly. Front RH/ Lamp	1	1	1	1	1	
11	DJ 2010 72	Lamp 12V 5W	2	2	2	2	2	
12	06 2010 83	Lamp 12V 10W	2	2	2	2	2	
13	24 2014 85	Cover Side Indicator Front Lh	1	1	1	1	1	
14	24 2014 86	Cover Side Indicator Front Rh	1	1	1	1	1	
15	KB RB35 25	Screw Tapping Pan Slotted	2	2	2	2	2	
16	24 2014 84	Gasket Front Side Indicator	2	2	2	2	2	
17	24 2015 23	Holder front indicator assy fl	2	2	2	2	2	
18	KB Rb35 13	Screw tapping pan cross	4	4	4	4	4	
19	24 2015 02	Cable Fr Indi With Holder Lh	1	1	1	1	1	NI
20	24 2015 03	Cable Fr Indi With Holder Rh	1	1	1	1	1	
21	24 2015 04	Assembly lens & rfltr fr ind fl	2	2	2	2	2	

PLATE NO. 55 : TAIL LAMP ASSEMBLY

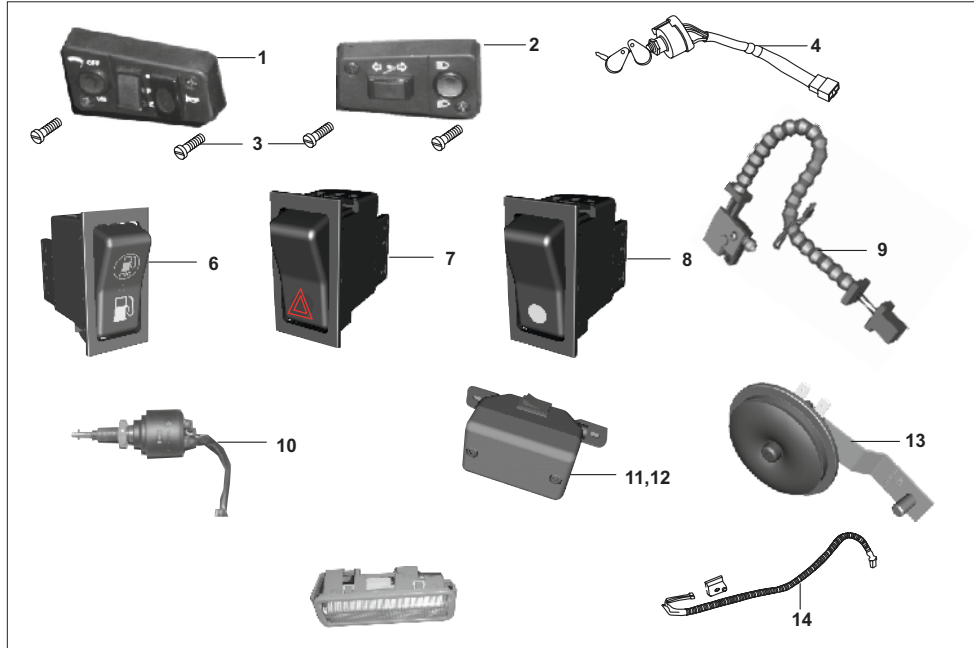
RE 45/4-STROKE
PETROL,CNG,LPG



No.	Part No.	Description	QTY/VEH-205 D			205 X		Remarks
			PET	CNG	LPG	CNG	LPG	
1	24 2014 72	Tail light LH with Lamp	1	1	1	-	-	
2	24 2014 73	Tail light RH with lamp	1	1	1	-	-	
1a	BH 4010 00	Tail light LH with Lamp	--	--	--	1	1	Aa201199 N.S
2a	BH 4010 02	Tail light RH with lamp	--	--	--	1	1	Aa201201 N.S
3	AA 2012 27	Lamp 12V 18/5W	2	2	2	2	2	
4	GH 2010 12	LAMP:-12V-10W (colour:-Amber)	4	4	4	--	--	
4a	06 2010 83	Lamp 12v 10W	4	4	4	4	4	
5	AA 2010 90	Bracket - Tail Lamp	2	2	2	2	2	
6	22 1612 21	Plate -number	1	1	1	1	1	
	AF 1610 90	Plate -number	1	--	--	-	-	For Srilanka N.S
7	KA AG08 85	Bolt	2	2	2	2	2	
8	39 1944 04	Flange Bolt	4	4	4	4	4	
9	BH 4010 04	Number plate light with lamp	--	--	--	1	1	
10	24 2014 76	Packing (Tail Lamp)	2	2	2	-	-	
11	KC Gd06 06	Nut hex flanged ind bkt	4	4	4	4	-	NI
12	KB Ra42 19	Screw tapping pan cross	4	4	4	-	-	NI
13	24 2014 77	Lens tail light lh refl	1	1	1	-	-	
14	24 2014 99	Lens tail light rh refl	1	1	1	-	-	

PLATE NO. 56: SWITCHES AND HORN

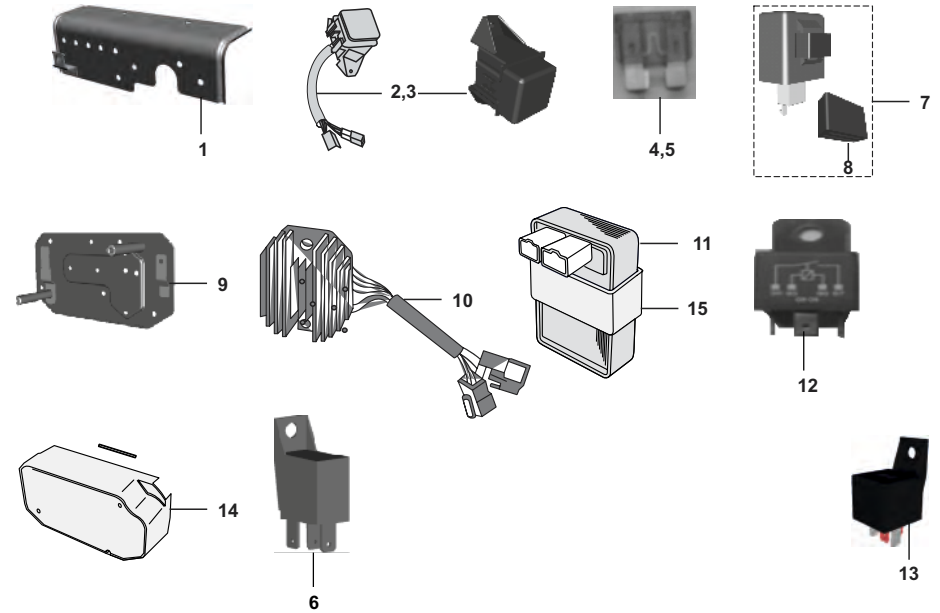
RE 45/4-STROKE
PETROL,CNG,LPG



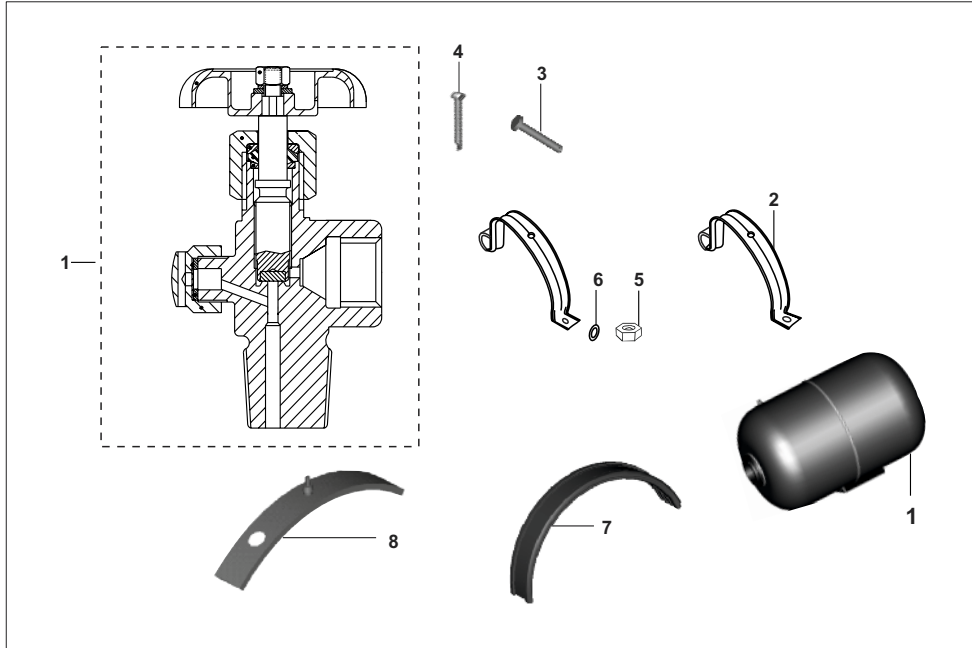
No.	Part No.	Description	QTY/VEH-205 D			205 X		Remarks
			PET	CNG	LPG	CNG	LPG	
1	AL 2010 60	Control switch LH	1	1	1	1	1	
2	AA 2012 56	Control switch RH	1	1	1	1	1	
3	AL 2010 62	Screw switch	4	4	4	4	4	
4	36 AA40 28	Ignition lock(AA201254)with key	1	1	1	1	1	
5	AA 2012 58	Label (Parking-OFF-ON)	1	1	1	1	1	
6	AZ 4014 00	Switch G O P selection	-	1	-	1	-	
6a	RA 4014 00	Switch G O P selection	-	-	1	-	1	
7	AB 2010 77	Hazard switch	1	1	1	1	1	
8	AL 2010 31	Switch 2 position	1	1	1	1	1	
9	24 2014 21	Reverse switch with cable assly	1	1	1	1	1	
10	AF 2010 94	Brake switch	1	1	1	1	1	
11	AF 2010 81	Cabin light assembly	1	1	1	-	-	
11	AL 2010 39	Lamp (light) Assembly - Cabin	-	-	-	1	1	
12	AP 2010 58	Cabin light assembly	-	-	-	1	1	
13	AA 2012 39	Horn DC 12v with transil diode	1	1	1	1	1	
14	22 2501 32	Cable Assembly Electric White	1	1	1	-	-	
15	24 2015 15	Bulb 12v,10w,capless cab lt	1	1	1	1	1	
16	39 2245 01	Screw cheese head m4	2	2	2	-	-	cabin light
17	AL 2010 70	Clip p for new control switch	2	2	2	2	2	
18	39 2631 01	Screw pan head M5	2	2	2	2	2	2
19	39 2208 04	Bolt flanged m5x10 cabin light	2	2	2	2	2	NI
20	DJ 2011 09	Front brake switch	1	1	1	1	1	

PLATE NO. 57: ELECTRICAL UNITS

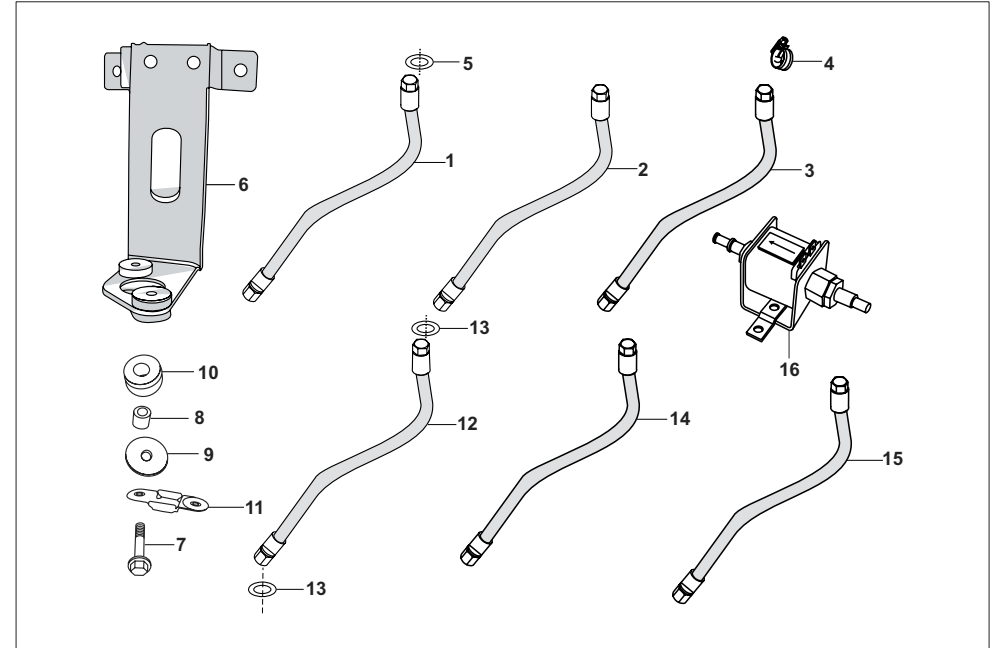
RE 45/4-STROKE
PETROL,CNG,LPG



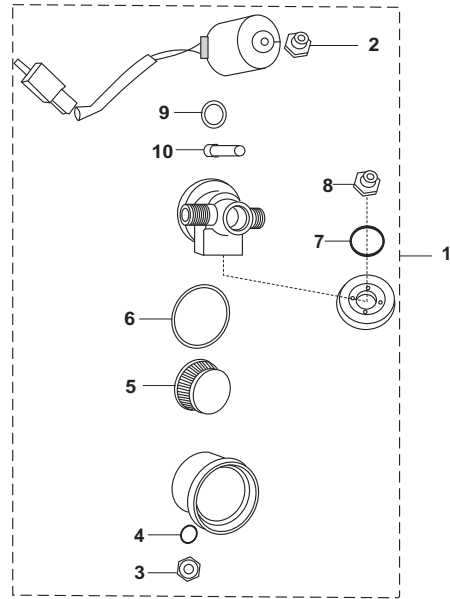
No.	Part No.	Description	QTY/VEH-205 D			205 X		Remarks
			PET	CNG	LPG	CNG	LPG	
1`	AP 2010 37	Plate electrical units front	1	1	1	1	1	
2	AA 2011 85	Fuse box assembly with fuse	1	-	-	-	-	
3	AN 2010 12	Fuse box assembly gas	-	1	1	1	1	
4	AK 2010 12	Fuse blade type 10 Amp	7	7	7	6	6	
5	DG 2010 84	Fuse blade type 30 Amp	1	1	1	1	1	
6	AL 2010 12	Head lamp control unit	2	2	2	2	2	
7	AB 2010 76	Relay Flasher	1	1	1	1	1	
8	31 2010 29	Holder for relay	1	1	1	1	1	
9	AA 1612 65	Plate electrical units Rear	1	1	1	1	1	
10	AF 2010 36	Assly. regulator	1	1	1	1	1	
11	AA 1111 19	Assembly CDI-PETROL fl	1	-	-	-	-	with CAT, Euro II
	AA 1111 22	Assembly CDI-PETROL fl	1	-	-	-	-	without CAT
	AA 1111 31	Assembly CDI-PETROL fl	1	-	-	-	-	For Nigeria
11	AF 1110 22	Assembly CDI-CNG fl	-	1	-	1	-	
11	AA 1111 24	Assembly CDI-LPG fl	-	-	1	-	1	with CAT, Euro II
	RA 3512 03	Assembly CDI-LPG fl(Cambodia)	-	-	1	-	-	Non CAT Cambodia
12	JN 3516 04	Starter relay	1	1	1	1	1	
13	AF 2010 01	RELAY	1	1	1	1	1	
14	AA 1610 80	Cover - plate electrical unit	1	1	1	-	-	
15	AA 1111 20	Damper for cdi-205fl	1	1	1	1	1	



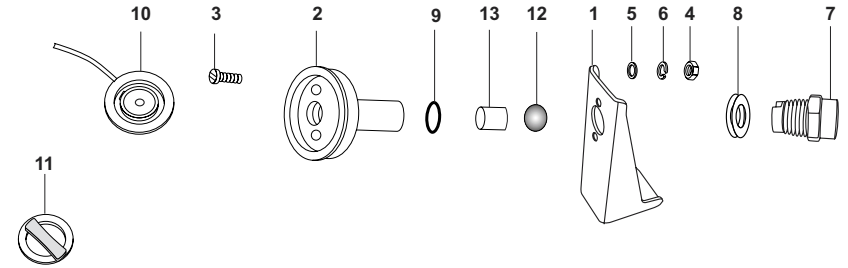
No.	Part No.	Description	QTY/VEH-205 D			205 X		Remarks
			PET	CNG	LPG	CNG	LPG	
1	AM 1410 03	LPG cylinder- vanaz-20 ltr.	--	--	1	--	1	
1a	AF 1410 59	CNG cylinder - vanaz kit-30 ltr	--	1	--	1	--	
1b	AF 1410 30	Valve cng vanaz v0135	--	1	--	1	--	
2	AF 1610 98	Assly strap	--	2	2	2	2	
3	AF 1610 59	Pin for cylinder clamping strip	--	2	2	2	2	
4	39 0146 08	Split pin	--	2	2	2	2	
5	KC GD10 10	Hexagon nut (M10 X1.5)	--	4	4	4	4	For clampincyl.
6	39 0201 11	Plain washer	--	4	4	4	4	For clamping cyl.
7	AF 1610 97	Beading strap	--	2	2	2	2	
8	AF 1611 00	Packing lower for gas cylinder	--	2	2	2	2	
9	24 1410 91	Clip spring	--	2	2	2	2	



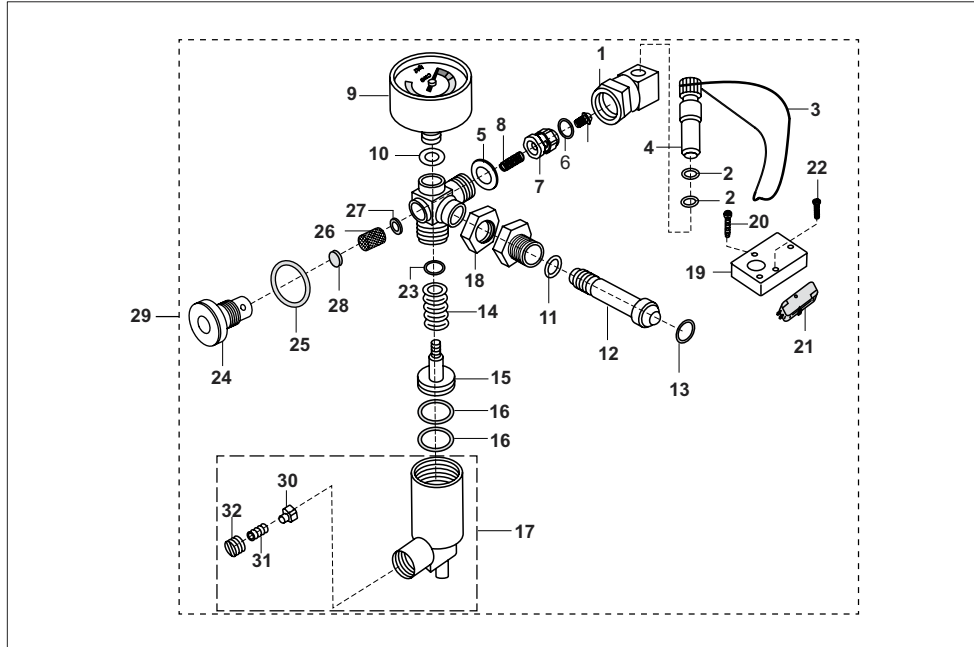
No.	Part No.	Description	QTY/VEH-205 D			205 X		Remarks
			PET	CNG	LPG	CNG	LPG	
1	24 1215 00	Hose HPR to solenoid	--	1	--	1	--	
2	24 1214 98	Hose solenoid to LPR	--	1	--	1	--	
3	AF 1215 14	Low pressure hose pipe	--	2	--	2	--	LPR to Mixture
4	39 1062 04	Bolt flanged small	--	4	4	--	--	
5	AF 1210 12	Washer	--	4	--	4	--	
6	AF 1214 89	Bracket LPR mounting	--	1	1	1	1	
7	JS 1720 14	Flange screw	--	2	2	2	2	
8	39 2473 04	Bolt hexagonal flange m6x1	--	2	2	2	2	
9	JS 1138 01	Bush LPR	--	2	2	2	2	
10	JS 1138 02	Washer	--	2	2	2	2	
11	DG 1410 19	Damper	--	2	2	2	2	
12	24 1614 23	Guard LPR breather	--	1	1	1	1	
13	AM 1211 05	Assly flex. hose -1	--	--	1	--	1	Filler to MFV
14	24 1212 44	Washer	--	--	2	--	2	
15	24 1214 34	Assly. hose MFV to LPR	--	--	1	--	1	
16	JS 5812 23	Hose regulator to mixture	--	--	1	--	1	
17	RA 4026 01	Solenoid petrol	--	1	--	1	--	
17	24 1216 56	Solenoid petrol	--	--	1	--	1	
18	AZ 1720 04	Assy bracket lpr mounting	--	--	--	1	1	



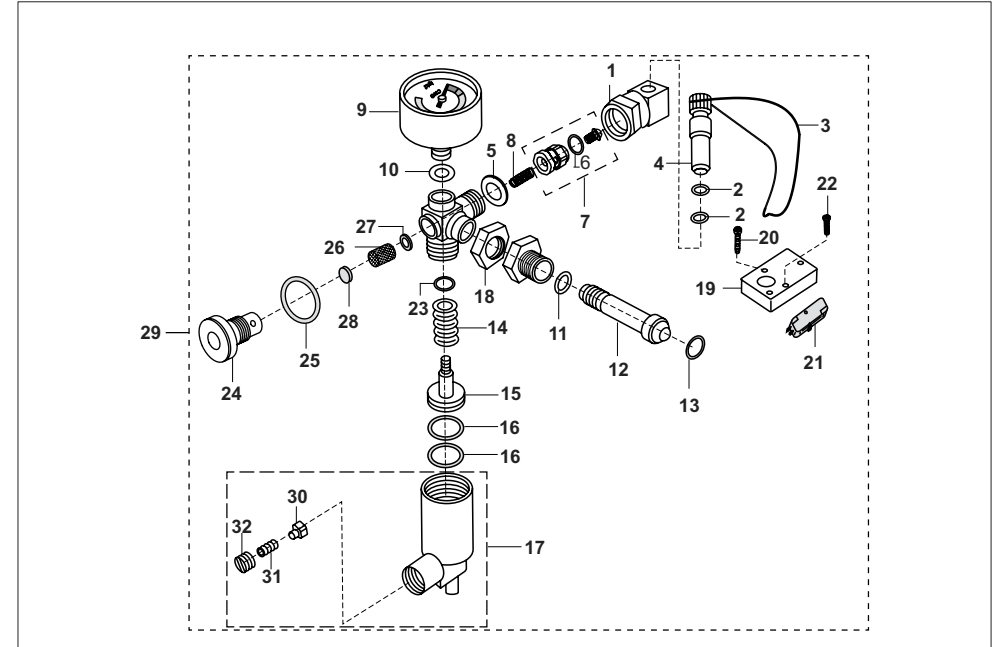
No.	Part No.	Description	QTY/VEH-205 D			205 X		Remarks
			PET	CNG	LPG	CNG	LPG	
1	24 2014 56	Solenoid -CNG paper filter	--	1	--	1	--	
2	AF 1213 27	Lock nut	--	1	--	1	--	
3	AF 1213 16	Drain plug	--	1	--	1	--	
4	AF 1213 17	'O' ring	--	1	--	1	--	
5	AF 121319	Paper filter	--	1	--	1	--	
6	AF 1213 20	'O' ring	--	1	--	1	--	
7	AF 1213 22	'O' ring	--	1	--	1	--	
8	AF 1213 23	Bolt	--	1	--	1	--	
9	AF 1213 25	'O' ring	--	1	--	1	--	
10	AF 1213 26	Plunger assembly	--	1	--	1	--	



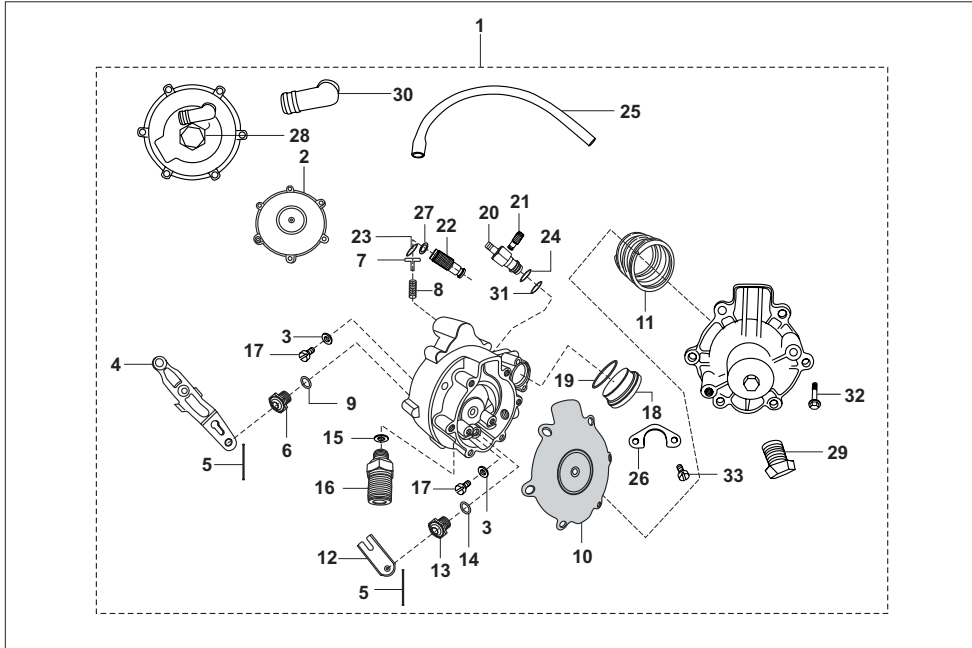
No.	Part No.	Description	QTY/VEH-205 D			205 X		Remarks
			PET	CNG	LPG	CNG	LPG	
1	24 1214 07	BKT. Filling valve	--	--	1	--	1	
2	24 1214 32	Filler	--	--	1	--	1	
3	59 0100 10	Screw csumk for filter	--	--	2	--	2	
4	AF 1210 57	Nut	--	--	2	--	2	
5	AF 1210 58	Washer	--	--	2	--	2	
6	AF 1210 49	Spring washer	--	--	2	--	2	N.S
7	24 1213 37	Connector for filler	--	--	1	--	1	
8	AF 1210 85	Washer	--	--	1	--	1	
9	CX 1410 46	'O' ring	--	--	1	--	1	
10	24 1213 94	Cap	--	--	1	--	1	
11	24 1213 93	Knob	--	--	1	--	1	
12	CX 1410 44	Steel ball	--	--	1	--	1	
13	CX 1410 45	Spacer	--	--	1	--	1	



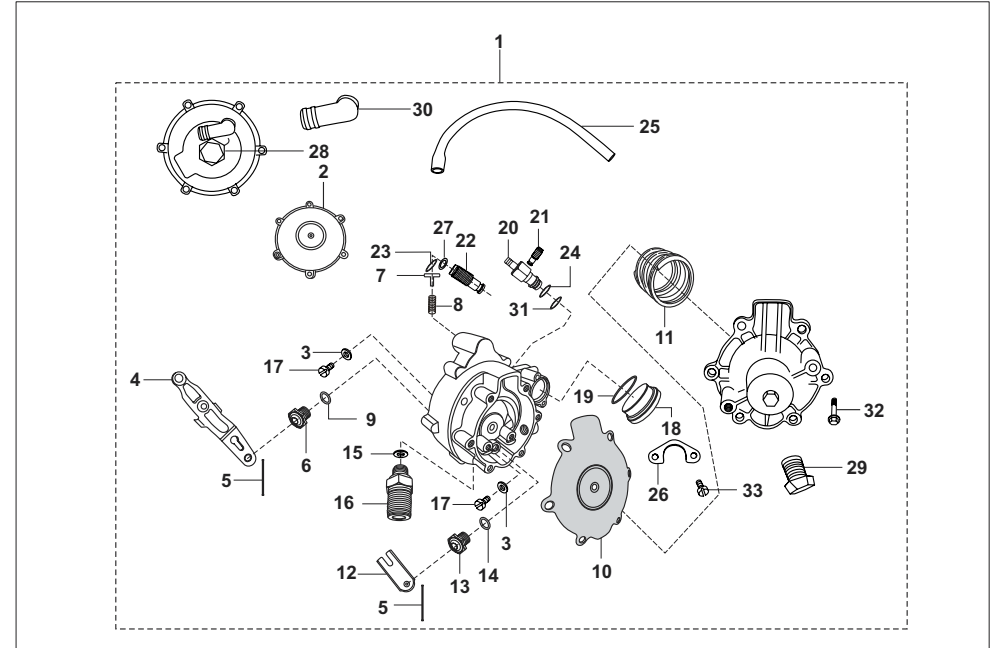
No.	Part No.	Description	QTY/VEH-205 D			205 X		Remarks
			PET	CNG	LPG	CNG	LPG	
1	AF 1210 04	Refueling adaptor	--	1	--	1	--	
2	AF 1210 23	'O' ring	--	2	--	2	--	
3	AF 1210 24	String	--	1	--	1	--	
4	AF 1210 18	Dust plug	--	1	--	1	--	
5	AF 1210 25	Washer	--	1	--	1	--	
6	AF 1215 21	Regulator two stage 205fl cng	--	--	1	--	1	Ref IB Cir. 53
6a	AM 1211 53	Regulator two stage 205fl lpg	--	1	--	1	--	Before 23.01.14
	AM 1211 71	Regulator two stage 205fl lpg	--	1	--	1	--	Ref. Cir. IB-51
7	AF 1210 27	1st stage seat (NRV) sub assly.	--	1	--	1	--	
8	AF 1210 28	Spring	--	1	--	1	--	
9	24 2013 33	Pressure gauge	--	1	--	1	--	
10	AF 1210 29	Washer	--	1	--	1	--	
11	AF 1210 30	Washer	--	1	--	1	--	
12	24 1214 56	Connector	--	1	--	--	--	
12a	AF 1210 01	Connector	--	--	--	1	--	
13	AF 1210 32	'O' ring	--	2	--	2	--	
14	AF 1210 34	Spring	--	1	--	1	--	
15	AF 1211 26	Piston assly.	--	1	--	1	--	
16	AZ 1720 08	'O' ring	--	2	--	2	--	n.s
17	AF 1210 37	Cylinder - reduct. Unit re4s-cng	--	1	--	1	--	N.S



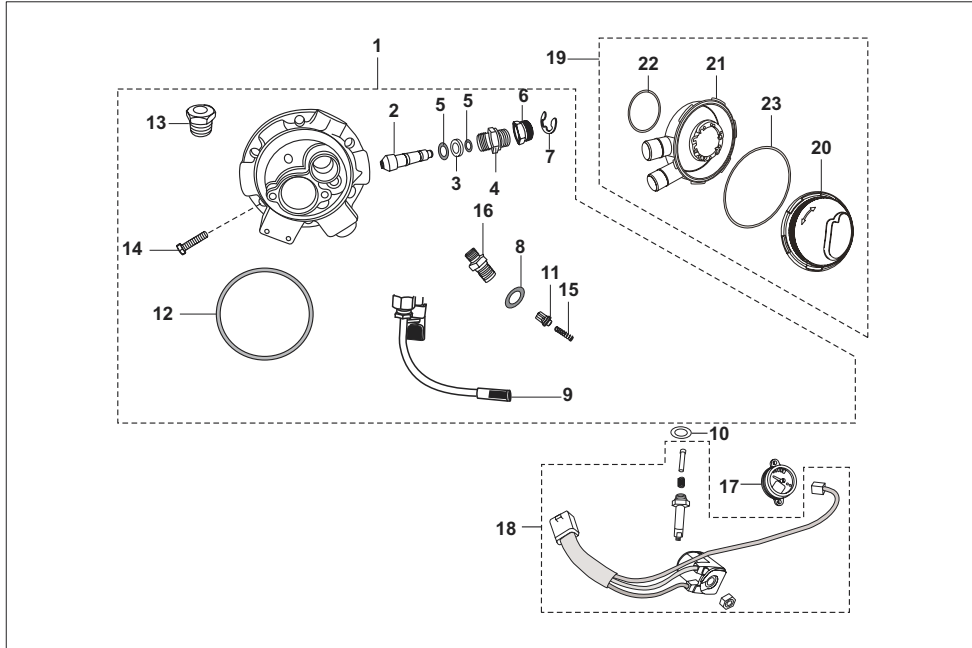
No.	Part No.	Description	QTY/VEH-205 D			205 X		Remarks
			PET	CNG	LPG	CNG	LPG	
18	AF 1210 38	Lock nut	--	1	--	1	--	N.S
19	AF 1210 44	Mounting plate	--	1	--	1	--	
20	AF 1210 45	Philips screw	--	2	--	2	--	
21	AF 2010 10	Micro switch	--	1	--	1	--	
22	AF 1210 46	Philips screw	--	2	--	2	--	
23	AF 1211 04	'O' ring	--	1	--	1	--	
24	AF 1211 05	Retainer	--	1	--	1	--	
25	AF 1211 06	'O' ring	--	1	--	1	--	
26	AF 1211 07	Filter	--	1	--	1	--	
27	AF 1211 08	Washer	--	1	--	1	--	
28	AF 1210 84	Pad	--	1	--	1	--	
29	24 1214 13	First stage reduction unit	--	1	--	--	--	
29a	AZ 1720 13	Unit 1st stage reduction	--	--	--	1	--	
30	AF 1211 27	Pad holder	--	1	--	1	--	
31	AF 1210 39	Relief valve spring	--	1	--	1	--	
32	AF 1210 40	Adjusting screw	--	1	--	1	--	
33	24 1214 16	Elbow	--	1	--	1	--	N.I



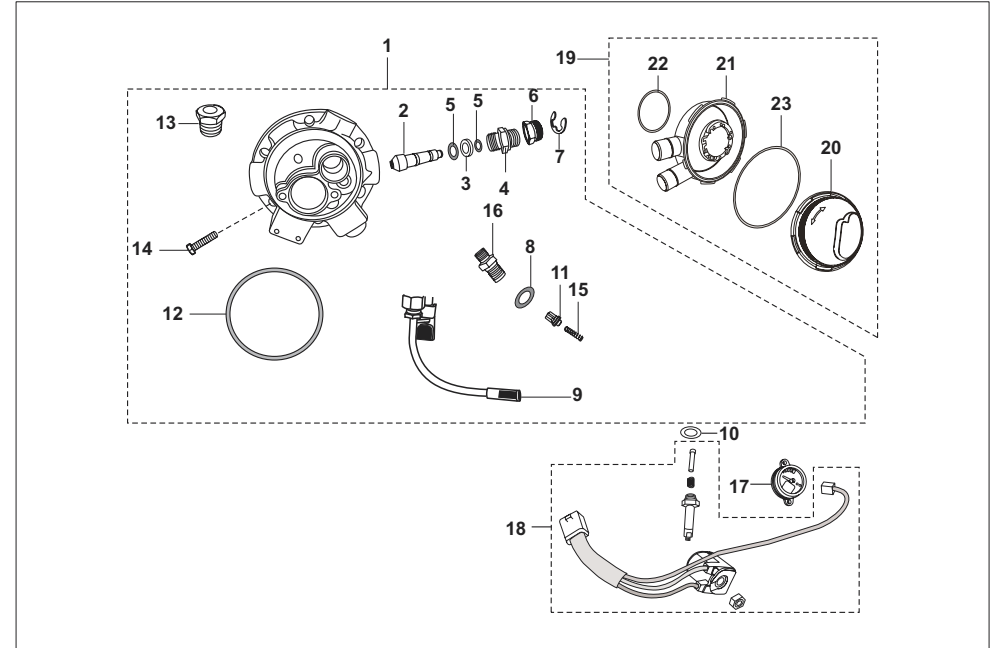
No.	Part No.	Description	QTY/VEH-205 D			205 X		Remarks
			PET	CNG	LPG	CNG	LPG	
1	AF 1215 12	Regulator CNG	--	1	--	--	--	AF121487
1	AZ 1720 25	Assembly cng regulator	--	--	--	1	--	
1a	AM 1211 70	Regulator LPG	--	--	1	--	--	
1b	RA 1720 14	Assembly lpg regulator re-max	--	--	--	--	1	
2	JS 1720 15	Diaphragm-sub assly.	--	1	1	1	1	
3	JS 1720 38	Washer	--	4	4	4	4	
4	JS 1720 36	Lever	--	1	1	1	1	
5	24 1212 99	Pin lever	--	2	2	2	2	
6	AZ 1720 07	Seat	--	1	--	1	--	
7	JS 1720 35	Guide spring	--	1	1	1	1	
8	24 1213 04	Spring	--	1	--	--	--	
9	24 1213 06	Rubber washer	--	1	1	1	1	
10	JS 1720 23	Diaphragm	--	1	1	1	1	
11	JS 1720 27	Spring	--	--	1	--	1	
11a	24 1215 04	Spring	--	1	--	1	--	
12	24 1213 12	Lever sub assly	--	1	1	1	1	
13	24 1213 13	Seat	--	1	1	1	1	
14	24 1213 14	Rubber washer	--	1	1	1	1	
15	24 1213 15	Washer copper	--	1	1	1	1	
16	JS 1720 28	Connector inlet	--	--	1	--	1	
16a	24 1215 05	Connector inlet	--	1	--	1	--	



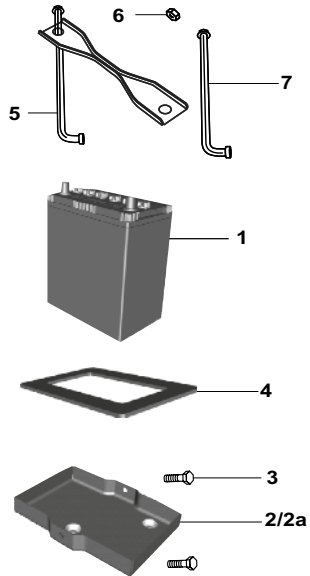
No.	Part No.	Description	QTY/VEH-205 D			205 X		Remarks
			PET	CNG	LPG	CNG	LPG	
17	JS 1720 29	Screw	--	8	8	8	8	
18	24 1213 27	Plug	--	1	1	1	1	Alt-JS172034
19	24 1213 21	'O' ring	--	1	1	1	1	
20	JS 1720 32	Body -flow control	--	--	1	--	1	
20a	24 1215 07	Body -flow control	--	1	--	1	--	
21	JS 1720 30	Screw flow control	--	--	1	--	1	
21a	24 1215 06	Screw flow control	--	1	--	1	--	
22	JS 1720 20	Idling screw	--	1	1	1	1	
23	59 2100 17	'O' ring	--	1	1	1	1	
24	AF 1211 06	'O' ring	--	1	1	1	1	
25	24 1216 49	Breather hose	--	1	1	--	--	
25	AZ 1720 29	Breather hose	--	--	--	1	1	
26	JS 1720 33	Clamp	--	1	1	1	1	
27	AF 1211 04	'O' ring	--	1	1	1	1	
28	JS 1720 18	Plug	--	1	1	1	1	
29	JS 1720 26	Breather -I	--	1	1	1	1	
30	JS 1720 31	Breather -II	--	1	1	1	1	
31	AM 121089	'O' ring	--	1	1	1	1	
32	JS 1720 19	Flange screw	--	12	12	12	12	
33	AF 1210 70	Cheese headed screw	--	4	4	4	4	
34	24 1213 18	Diaphragm assy vaccum	--	1	1	1	1	



No.	Part No.	Description	QTY/VEH-205 D			205 X		Remarks
			PET	CNG	LPG	CNG	LPG	
1	AU 1720 78	Multi valve - assly vanaz	--	--	1	--	1	N.S
2	24 1212 65	Spindle with pad	--	--	1	--	1	N.S
3	AF 1210 69	Washer	--	--	1	--	1	
4	24 1212 66	Retainer - MV	--	--	1	--	1	
5	59 2100 13	'O' Ring	--	--	2	--	1	
6	24 1212 67	Knob - MFV	--	--	1	--	1	
7	59 1700 07	Criclip- external	--	--	1	--	1	
8	AU 1720 65	'O' ring - MFV	--	--	1	--	1	
9	24 1212 68	Filter	--	--	1	--	1	
10	59 2100 15	'O' ring M-V solenoid	--	--	1	--	1	
11	36 2440 54	NRV sub assly	--	--	1	--	1	
12	24 1212 83	'O' ring	--	--	1	--	1	
13	AU 1720 52	Plug fusible	--	--	1	--	1	
14	AU 1720 74	Allen screw	--	--	6	--	6	
15	24 1212 90	Spring conical	--	--	1	--	1	



No.	Part No.	Description	QTY/VEH-205 D			205 X		Remarks
			PET	CNG	LPG	CNG	LPG	
16	AU 1720 66	Inlet connector	--	--	1	--	1	
17	AU 4026 01	Gauge content	--	--	1	--	1	With harness
18	AU 4030 01	Solenoid coil assly	--	--	1	--	1	
19	24 1214 18	Assly seal box	--	--	1	--	1	
20	24 1212 49	Case upper	--	--	1	--	1	
21	AU 1720 34	Lower case	--	--	1	--	1	
22	59 2100 12	'O' ring bottom	--	--	1	--	1	
23	24 1212 50	'O' ring upper	--	--	1	--	1	



No.	Part No.	Description	QTY/VEH-205 D			205 X		Remarks
			PET	CNG	LPG	CNG	LPG	
1	BA 2010 01	Battery	1	1	1	1	1	NS
	BA 2010 67	Battery	1	1	1	1	1	Dry Charged
2	BH 1138 05	Battery tray	1	1	1	-	-	
2a	BH 1138 06	Battery tray	-	-	--	1	1	
3	KA DA08 14	Bolt Flanged- Tray mounting	3	3	3	3	3	
4	BA 1610 29	Packing Battery	1	1	1	1	1	
5	AN 1610 74	Clamp Assly	1	1	1	1	1	
6	39 0817 15	Nut	2	2	2	2	2	
7	AN 1610 75	Tie rod	1	1	1	1	1	
8	36 Bb00 33	Lock battery with key	1	1	1	1	1	(Bb201018)

No.	Part No.	Description	QTY/VEH-205 D			205 X		Remarks
			PET	CNG	LPG	CNG	LPG	

KIT LIST

RE 45/4-STROKE
PETROL,CNG,LPG

Sr. No.	Kit Part No.	Kit Description	Consisting of Following Parts		
			Part No.	Description	Qty./Kit
1	24151108	Minor kit-front wheel cylinder fl	24151104	Seal piston wheel cylinder	2
			24151105	Spring wheel cylinder	1
			24151106	Boot protection	2
2	24151114	Minor kit-rear wheel cylinder fl	24151116	Seal- piston wheel cyl rear	2
			24151105	Spring wheel cylinder	1
			24151106	Boot protection	2
3	24151107	Major kit-front wheel cylinder fl	24151165	Piston slotted front	2
			24151104	Seal piston wheel cylinder	2
			24151105	Spring wheel cylinder	1
			24151106	Boot protection	2
			AB151079	Screw - bleeder	1
			AB151100	Cap - bleeder	1
4	24151113	Major kit-rear wheel cylinder fl	24151166	Piston slotted front	2
			24151116	Seal piston wheel cylinder	2
			24151105	Spring wheel cylinder	1
			24151106	Boot protection	2
			AB151079	Screw - bleeder	1
			AL151052	Cap - bleeder	1
			5	36244051	Front wheel bearing kit
39236220	Bearing-ball (12X37X12)	1			
39034217	Internal circlip	1			
22170115	Seal - oil	1			
6	36244052	Kit slider block	AL171065	Slider block	1
			24170425	Pin for slider block	1
7	36244053	kit bush pivot	AB171020	Needle bush	1
			24171129	Pin pivot	1
8	36AB4012	Kit st cone :steering coloumn -FL	36AB4008	KIT brg race upper + lower	1
			AB181017	Ball - steel with nylon cage - upper	1
			BH151008	Cover dust top	1
			AB181012	Ball - steel with cage - lower :- nylon	1
			AA181023	Cover dust bottom	1
			BH151009	spacer lower dust cover	1
9	36AB4011	Kit st cone :steering coloumn -FL	36AB4008	KIT brg race upper + lower	1
			AB181017	Ball - steel with nylon cage - upper	1
			BH151008	Cover dust top	1
			AB181012	Ball - steel with cage - lower :- nylon	1
			BH151007	Cover dust bottom	1
			36001052	Grease lethon RR3 -10GM	1
9	36AB4008	KIT Brg Race Ser Upper + Lower RE 2S	BH151009	spacer lower dust cover	1
			AB181019	Bearing race - upper :- outer	1
			AB181016	Bearing race - upper :- inner	1
			AB181033	Race -bearing: lower-outer	1
			AB181011	Bearing race - lower :- inner	1

KIT LIST

RE 45/4-STROKE
PETROL,CNG,LPG

Sr. No.	Kit Part No.	Kit Description	Consisting of Following Parts		
			Part No.	Description	Qty./Kit
10	36244050	Oil seat kit re compact 2s petrol	AP101226	Oil seal clutch side	1
			AP101074	Seal oil 22x47x7(39121420)	1
			BF551613	Seal oil	1
			AP101268	Oil seal mag side	1
			39213319	Oil seal 16x24x5 nrb bendix	1
11	24151114	Wheel cylinder rear minor kit	24151106	Protection boot	2
			24151105	Rebound spring	1
			24151116	Piston lip seal rr	2
12	24151113	Wheel cylinder rear major kit	AL151052	Bleeder screw cap	1
			AB151079	Bleeder screw	1
			24151106	Protection boot	2
			24151105	Rebound spring	1
			24151116	Piston lip seal(rr)	2
			24151166	Slotted piston(rr)	2
			13	36AZ0015	Kit jet kit - AZ581214
JZ581214	Pilot jet	1			
24121367	Main jet	1			
AF121452	Jet holder	1			
AF121498	Needle jet	1			
13a	36AF0023	Kit jet kit AM121156/AF121510/AG121077	AA121184	Pilot jet	1
			AF121500	Main jet	1
			AF121501	Jet holder	1
			24121723	Needle jet	1
13b	36244040	kit jet kit 24121676-aa121199	JE581205	Pilot jet	1
			DH121172	Main jet	1
			24121425	Jet holder	1
			24121720	Float body assly	1
14	36244047	Kit float body assy kit AZ581214/24121676-AA121199	DH121118	O ring	1
			JA581232	O ring	1
			CB121039	Screw(tps)	4
			JA581314	Drain screw	1
			AF121183	Float body assly	1
14a	36AZ0016	Kit float body assy kit AM121156/AF121510/AG121077	DH121118	O ring	1
			JA581232	O ring	1
			CB121039	Screw(tps)	4
			JA581314	Drain screw	1
15	36JZ0016	Kit idiling adjuster kit AZ581214/24121676-AA121199/ AM121156/AF121510/AG121077	JZ581217	Adjuster	1
			CB121044	Spring	1
			DH121130	O ring	2
16	24121485	Pilot screw kit AZ581214/24121676-AA121199/ AM121156/AF121510/AG121077	DH121131	Adjuster	1
			DH121086	Spring	1
			DH121087	Washer(tps)	1
			DH121088	O ring	1
			DH121130	O ring	2

KIT LIST

RE 45/4-STROKE
PETROL,CNG,LPG

Sr. No.	Kit Part No.	Kit Description	Consisting of Following Parts		
			Part No.	Description	Qty./Kit
17	36244056	Mixing cap assly 24121676-AA121199/AZ581214	A581223	Mixing cap assly	1
			24121719	Cable adjuster	2
			JA581315	Nut	2
17a	36AF0025	Mixing cap assly AG121077/AM121156 AF121486/AF121510	JA581223	Mixing cap assly	1
			JA581261	Cable adjuster	2
			JA581315	Nut	2
18	36244048	Kit piston valve assly 24121676-AA121199	DD121054	E-ring	1
			JZ581223	Packing	1
			DD121055	Spring	1
			24121731	Jet needle	1
			24121370	Ring	1
			AZ581208	Holder assly	1
			24121714	Piston valve	1
			DD121054	E-ring	1
18a	36AF0024	Kit piston valve assly AG121077/AM121156- AF121486/AF121510	JZ581223	Packing	1
			DD121055	Spring	1
			AF121481	Jet needle	1
			DD121053	Ring	1
			AZ581208	Holder assly	1
			AF121499	Piston valve	1
			DD121054	E-ring	1
18b	36AZ0017	Kit piston valve assly AZ581214	JZ581223	Packing	1
			DD121055	Spring	1
			JZ581215	Jet needle	1
			24121370	Ring	1
			JZ581211	Holder assly	1
			24121714	Piston valve	1
			AF581232	O ring	1
19	36244049	O ring & Gasket kit AZ581214/24121676-AA121199/ AM121156/AF121510/AG121077	CF121004	Plunger assly	1
			DH121130	O ring	2
			JA581238	O ring	1
			DH121118	O ring	1
			DH121088	O ring	1
			DK101067	Rod connecting	1
20	36AA4032	Connecting rod kit 4s fl	DK101453	Pin complete crank.	1
			39215320	Bearing -needle roller:big end- 3x18x16	1
			AN101418	Inlet valve	1
21	36AA4033	Valve kit 4s fl	AN101431	Exhuast valve	1
			24151092	Seal (oil supply port)	2
22	24151098	Minor kit tmc	AB151070	Protection boot	1
			39236017	Internal circlip	2
			24151080	Secodary lip seal	2
			24151083	Plate valve	2
			24151076	Primary leap seal	2

KIT LIST

RE 45/4-STROKE
PETROL,CNG,LPG

Sr. No.	Kit Part No.	Kit Description	Consisting of Following Parts		
			Part No.	Description	Qty./Kit
23	24151097	Major kit	24151092	Seal oil supply port	1
			24151091	O ring	1
			24151089	Piston lock screw	1
			AB151070	Protection boot	1
			36236017	Internal circlip	1
			24151086	Spring locking screw	1
			24151085	Spring guide socket	1
			24101581	Secondary return spring	1
			24151082	Secondary spring locator	1
			24151084	Primary piston	1
			24151078	Primary return spring	1
			24151077	Primary spring locator	1
			24151080	Secondary lip seal	2
			24151083	Plate valve	2
24	36AN0009	Kit cylinder block piston assly - CNG	24151076	Primary lip seal	2
			24151075	Secondary piston	1
24	36AN0009	Kit cylinder block piston assly - CNG	AN101359	Assembly piston re 205 fl cng	1
			AN101133	Cylinder block complete	1
25	36AN0010	Kit cylinder block piston assly - LPG	AN101133	Cylinder block complete	1
			AN101357	Assy piston re 205 fl gasoline	1
26	36AN0014	kit ring set (piston) - CNG	BF521007	Ring top	1
			AN101430	Ring bottom	1
			BF521009	Ring assly oil	1
27	36AN0012	Kit ring set (piston) -LPG & PET	BF521007	Ring top	1
			BF521008	Ring bottom	1
			BF521009	Ring assly oil	1
28	36AZ0015	Kit jet kit AZ581214	24121723	Needle jet	1
			JZ581214	Pilot jet	1
			24121367	Main jet	1
			AF121452	Jet holder	1
29	36AZ0017	Kit piston valve assly AZ581214	DD121054	E-ring	1
			JZ581223	Packing	1
			DD121055	Spring	1
			JZ581215	Jet needle	1
			24121370	Ring	1
			JZ581211	Holder assly	1
30	36244047	Kit float body assy kit AZ581214/24121676-AA121199	24121714	Piston valve	1
			24121720	Float body assly	1
			DH12118	O ring	1
			JA581232	O ring	1
			CB121039	Screw(tps)	4
			JA581314	Drain screw	1

KIT LIST

Sr. No.	Kit Part No.	Kit Description	Consisting of Following Parts		
			Part No.	Description	Qty./Kit
31	36AZ0016	Kit float body assy kit AM121156/AF121510/AG121077	AF121183	Float body assly	1
			DH121118	O ring	1
			JA581232	O ring	1
			CB121039	Screw(tps)	4
			JA581314	Drain screw	1
32	24121485	"Pilot screw kit AZ581214/24121676-AA121199/ AM121156/AF121510/ AG121077"	DH121131	Adjuster	1
			DH121086	Spring	1
			DH121088	O ring	1
			DH121130	O ring	2
33	36AF0025	Mixing cap assly AG121077/AM121156- AF121486/AF121510	JA581223	Mixing cap assly	1
			JA581261	Cable adjuster	2
			JA581315	Nut	2
34	36BH0006	Kit boot- all	BH551416	Boot	1
			BH551415	Boot clamp large	1
			BH551417	Boot clamp small	1
			BH551423	Grease	1
35	36BH0007	Kit boot & retainer- all	BH551416	Boot	1
			BH551415	Boot clamp large	1
			BH551417	Boot clamp small	1
			BH551423	Grease	1
			BH551413	Retainer sheet	1
			BH551414	Boot insert	1
36	36BH0008	kit obj max	BH551408	Obj tulip	1
			BH551415	Boot clamp large	1
			BH551417	Boot clamp small	1
			BH551423	Grease	1
37	36BH0010	Kit obj & Tripod max	BH551408	Obj tulip	1
			BH551415	Boot clamp large	1
			BH551417	Boot clamp small	1
			BH551423	Grease	1
			BH551412	Finished roller	3
			BH551411	Tripod finished	1
			BH551410	Circlip	1
38	36BH0030	Kit ibj-double chamfer	BH551426	lbj tulip	1
			BH551415	Boot clamp large	1
			BH551417	Boot clamp small	1
			BH551423	Grease	1
39	36BH0012	Kit ibj-all	BH551422	lbj tulip	1
			BH551415	Boot clamp large	1
			BH551417	Boot clamp small	1
			BH551423	Grease	1

KIT LIST

Sr. No.	Kit Part No.	Kit Description	Consisting of Following Parts		
			Part No.	Description	Qty./Kit
40	36BH0031	Kit ibj & tripod-double chamfer	BH551426	lbj tulip	1
			BH551415	Boot clamp large	1
			BH551417	Boot clamp small	1
			BH551423	Grease	1
			BH551412	Finished roller	3
			BH551411	Tripod finished	1
			BH551410	Circlip	1
41	36BH0013	kit ibj & tripod-all	BH551422	lbj tulip	1
			BH551415	Boot clamp large	1
			BH551417	Boot clamp small	1
			BH551423	Grease	1
			BH551412	Finished roller	3
			BH551411	Tripod finished	1
			BH551410	Circlip	1
42	36AZ0018	Kit barshaft- BF551803	BF551803	Bar shaft	1
			BH551410	Circlip	2
			BH551415	Boot clamp large	2
			BH551417	Boot clamp small	2
			BH551416	Boot	2
43	36BH0016	Kit barshaft	AZ141219	Bar shaft	1
			BH551410	Circlip	2
			BH551415	Boot clamp large	2
			BH551417	Boot clamp small	2
			BH551416	Boot	2
44	36BH0019	Kit roller	BH551412	Finished roller	3
45	AA221030	Tool kit complete fl	24221021	Tool wrench :- 10 x 12	1
			5220206	Tommy bar	1
			DJ221014	Screw driver	1
			24221022	Spanner - flat :- 7 x 8	1
			24221024	Spanner - flat :- 13 x 14	1
			24221028	Plier tool	1
			BH231001	Tube spaner	1
			24221026	Spanner tube 21x17	1
			AA221031	Tool bag re fl	1
			46	az231000	tool kit complete fl
24221028	Plier tool	1			
24221022	Spanner - flat :- 7 x 8	1			
5220206	Tommy bar	1			
DJ221014	Screw driver	1			
BB221006	Spanner : wheel	1			
BH231001	Tube spaner	1			
24221021	Tool wrench :- 10 x 12	1			
AZ231001	Tool bag fl	1			
BB221007	Bar: tommy	1			

PART INDEX

RE 45/4-STROKE
PETROL,CNG,LPG

Part No.	Figure No.	Page No.
01100342	18	42
01100342	3	44
01100612	10	11
01100711	7	13
01100712	7A	13
01100713	7B	13
01100714	7C	13
01160717	8	70
01180123	8	12
01190115	16	61
03100335	13	1
03170109	5	25
03170109	2	48
03180116	15	20
05101051	7	6
05151012	8	6
06191089	9	60
06191089	14	61
06201083	12	76
06201083	4A	77
06221028	31	73
15101171	5	13
21100711	6	13
21101427	16	20
21101429	13	20
21150306	10	44
21150307	9	44
21150422	2	56
21160417	10	26
21170419	12	1
21180307	17	55
21180308	18	55
22101115	2	20
22101423	18	20
22131014	5	14
22131018	4	14
22150507	11	58
22151068	7	44
22151106	6	44
22151106	11	45

Part No.	Figure No.	Page No.
22151106	1	46
22161221	9	69
22161221	6	77
22170115	6	48
22170118	7	48
22170345	12	14
22171007	20	42
22171007	7	45
22181058	16	54
22250132	16	63
22250132	14	78
23161305	17	20
23161305	11	25
24101414	4	20
24101419	7A	20
24101421	10	20
24101422	9	20
24101572	25	21
24101720	8	20
24101829	6	40
24121062	6	28
24121069	2	28
24121244	14	81
24121249	20	89
24121250	23	89
24121265	2	88
24121266	4	88
24121267	6	88
24121268	9	88
24121283	12	88
24121290	15	88
24121299	5	86
24121304	8	86
24121306	9	86
24121312	12	86
24121313	13	86
24121314	14	86
24121315	15	86
24121318	34	87
24121321	19	87

PART INDEX

RE 45/4-STROKE
PETROL,CNG,LPG

Part No.	Figure No.	Page No.
24121327	18	87
24121337	7	83
24121361	5	28
24121393	11	83
24121394	10	83
24121407	1	83
24121413	29	85
24121416	33	85
24121418	19	89
24121432	2	83
24121434	15	81
24121456	12	84
24121460	25	31
24121462	26	31
24121476	21	5
24121476	30	31
24121477	27	31
24121498	2	81
24121500	1	81
24121504	11A	86
24121505	16A	86
24121506	21A	87
24121507	20A	87
24121646	9	32
24121646	20	33
24121649	25	87
24121652	20	37
24121652	5	38
24121656	6A	38
24121656	17	81
24121677	2	36
24121682	1	36
24121695	6	36
24121698	7	36
24121721	9	30
24121721	20	32
24130105	8	3
24130111	3	14
24130113	7	14
24130209	8	25

Part No.	Figure No.	Page No.
24131003	7	25
24131007	3	25
24131008	4	25
24131009	8	14
24131032	6	14
24131074	11	40
24131098	12	40
24141091	9	80
24141132	10	36
24141133	13	36
24141134	16	36
24141135	17	36
24141140	19	37
24141150	5	39
24141164	15	36
24141165	8	36
24141166	14	36
24141183	23	37
24141184	6	36
24141194	11	38
24151059	9	62
24151060	10	62
24151061	9	58
24151067	12	58
24151067	14	63
24151068	13	58
24151087	2	57
24151090	4	57
24151092	7	57
24151093	8	57
24151094	3	57
24151097	9	57
24151098	10	57
24151107	21	53
24151108	22	53
24151110	8	44
24151113	24	53
24151114	25	53
24151133	4	52
24151134	5	52

PART INDEX

RE 45/4-STROKE
PETROL,CNG,LPG

Part No.	Figure No.	Page No.
24151135	6	52
24151137	7	52
24151138	8	52
24151146	18	53
24151147	17	53
24151153	5A	52
24151163	20	53
24151164	23	53
24151168	14	53
24151169	9	52
24151170	10	52
24151171	11	52
24151172	12	52
24151173	13	52
24151174	2A	52
24151175	14A	53
24151176	9A	52
24151177	16	53
24151178	2B	52
24151179	14B	53
24151180	9B	52
24151181	10A	52
24151182	13A	52
24151183	15	53
24151221	1	56
24151221	6	56
24151228	14	56
24151232	2	58
24151234	5	56
24151238	14	58
24151243	1	52
24151245	8	48
24151247	22	61
24151255	3	58
24151256	1	58
24151258	1	57
24151266	10	48
24151268	3	52
24160924	11	26
24161003	8	26

Part No.	Figure No.	Page No.
24161176	6	51
24161297	2	38
24161368	7	66
24161371	8	66
24161373	11	66
24161423	12	81
24161443	11	54
24161446	9	64
24161492	11	66
24165116	1	69
24165132	11	69
24165137	11	70
24165214	3	69
24165215	7	64
24165216	11	72
24165230	1	65
24165274	33	71
24165273	34	71
24170425	7	40
24170431	13	33
24170505	10	42
24170507	13	42
24170508	9	42
24171014	2	40
24171024	17	42
24171024	4	44
24171049	14	42
24171055	11	42
24171066	14	40
24171075	5	44
24171094	8	42
24171117	20	49
24171118	1	44
24171129	17	48
24171138	24	49
24171179	1	42
24171180	2	42
24181046	10	54
24181047	12	54
24181074	8	60

PART INDEX

RE 45/4-STROKE
PETROL,CNG,LPG

Part No.	Figure No.	Page No.
24181153	2	64
24191098	13	60
24191099	12	60
24191100	10	60
24191101	15	61
24191105	7	60
24191136	11	36
24191137	12	36
24191182	1	62
24191184	10	60
24191185	11	60
24191187	13	60
24201333	9	84
24201421	11	59
24201421	9	78
24201456	1	82
24201472	1	77
24201473	2	77
24201476	10	77
24201477	13	77
24201484	16	76
24201485	13	76
24201486	14	76
24201487	9	76
24201488	10	76
24201499	14	77
24201500	15	65
24201501	16	65
24201502	19	76
24201503	20	76
24201504	21	76
24201515	15	78
24201523	17	76
24201525	19	68
24211009	5	74
24221032	22	71
24221033	23	71
24221034	24	71
24230176	38	71
24230185	5	51

Part No.	Figure No.	Page No.
24230185	9	70
24230198	20	67
24231090	19	71
24231091	21	71
24231146	6	74
24231157	10	70
24231245	5	70
24231266	31	71
24231336	4	64
24231421	13	74
24231473	30	71
24231499	16	70
24231522	21	68
24231523	22	68
24231564	1	74
24231565	2	74
24231566	3	74
24231593	1	68
24231604	9	74
24231605	9	74
24231615	5	68
24231616	6	68
24231620	17	74
24231625	17	68
24231630	17	70
24231630	32	71
24231630	13	75
24231641	4	68
24231699	20	68
24231705	18	74
24231713	4	70
24231726	3	64
24231748	8	74
24231759	9	74
24231760	9	74
24231761	10	74
24231762	10A	74
24231775	11	74
24231775	17	75
24250005	23	61

PART INDEX

RE 45/4-STROKE
PETROL,CNG,LPG

Part No.	Figure No.	Page No.
25231062	13	70
25231064	14	70
28101022	6	15
28101038	7	12
28101080	26	2
29121081	19	29
30101053	30	21
30101185	25	49
30101236	30	5
30151039	2	6
30151059	3	3
30211005	3	34
31101060	27	2
31101106	22	2
31101141	9	17
31101173	4	11
31121006	12	15
31121041	7	30
31121041	19	32
31121041	11	33
31201029	8	79
33141007	9	38
33141007	8	39
33141008	22	37
33141008	10	38
33141008	9	39
35101060	15	6
36244024	7	70
36244042	14	64
36244042	21	73
36244044	6	70
36244044	39	73
36244054	11	88
36244056	9	28
36AA4013	4	28
36AA4025	4	16
36AA4028	4	78
36AA4044	7	28
36AF0008	11	29
36AF0009	18	29

Part No.	Figure No.	Page No.
36AF0010	4B	28
36AF0011	21	29
36AF0013	19	29
36AF0014	22	29
36AF0015	20	29
36AF0016	4A	28
36AF0017	7B	28
36AF0027	7A	28
36AL0016	24	67
36AN0009	1	7
36AN0010	1A	7
36AN0012	5A	7
36AN0014	5	7
36AZ0002	4C	28
36AZ0003	7C	28
36BB0033	8	90
36BH0006	6	41
36BH0007	7	41
36BH0008	8	41
36BH0010	9	41
36BH0012	10	41
36BH0013	11	41
36BH0016	12	41
36BH0019	13	41
36BH0029	21	75
36BH00XX	40	73
36RC0002	9	28
39007104	7	51
39007104	20	71
39008004	6	27
39008504	12	68
39011904	3	40
39014608	8	58
39014608	4	80
39014708	5	58
39014708	6	59
39019711	15	18
39019711	15	25
39019811	9	18
39019811	8	22

PART INDEX

RE 45/4-STROKE
PETROL,CNG,LPG

Part No.	Figure No.	Page No.
39019811	11	23
39019811	4	26
39019811	9	51
39019811	19	55
39019911	7	58
39020011	5	24
39020011	17	24
39020111	3	60
39020111	6	80
39020811	4	58
39020811	5	59
39021111	18	39
39021111	26	67
39021311	6	12
39021911	26	35
39024011	22	21
39024811	19	8
39024811	12	26
39025111	15	26
39025811	13	68
39026312	3	26
39026312	12	50
39026912	6	42
39026912	15	42
39026912	14	43
39028915	3	27
39029115	10	51
39029115	5	66
39029215	17	25
39029515	8	46
39029615	13	26
39029615	14	46
39029615	6	47
39029615	5	60
39030315	12	42
39031215	7	27
39031215	14	44
39031215	19	45
39031215	17	50
39032615	16	68

Part No.	Figure No.	Page No.
39032615	20	72
39034217	21	42
39034217	2	44
39034217	9	48
39042606	6	18
39042606	3	19
39042706	11	3
39043501	9	14
39045411	6	69
39050809	5	1
39054311	10	46
39054311	21	49
39055011	2	18
39069415	19	48
39069415	10	58
39071111	15	27
39073001	3	15
39073212	7	22
39074011	5	36
39074801	4	15
39078912	13	46
39078912	5	47
39078912	18	48
39079815	17	27
39079908	11	20
39080411	12	18
39081715	4	51
39081715	12	69
39081715	19	72
39081715	6	90
39083415	5	26
39085571	20	59
39093915	15	47
39094111	18	61
39095615	11	44
39097315	12	9
39098004	9	16
39100006	17	2
39100006	22	5
39100006	11	6

PART INDEX

RE 45/4-STROKE
PETROL,CNG,LPG

Part No.	Figure No.	Page No.
39101321	6	1
39101321	2	15
39101421	16	10
39102702	21	59
39103309	6	17
39104119	3	4
39104619	17	6
39104619	5	18
39105315	11	11
39105411	11	46
39105411	4	47
39105515	18	8
39105711	10	17
39106204	4	81
39106504	23	5
39106504	6	22
39106901	3	51
39107001	16	27
39107404	10	22
39107504	18	2
39107504	12	3
39107601	10	64
39107901	6	26
39107901	13	50
39115902	19	75
39118011	15	50
39118215	15	40
39119704	8	18
39121111	13	51
39121420	11	1
39128321	16	8
39130911	6	8
39130911	30	73
39133615	19	27
39133615	12	43
39137704	2	60
39138904	6	20
39138904	11	57
39143520	3	6
39147817	6A	7

Part No.	Figure No.	Page No.
39152301	6	66
39152401	30	67
39153721	18	5
39153721	14	6
39153721	8	8
39155304	5	34
39155304	7	34
39155604	23	21
39155604	22	31
39155604	8	38
39155604	8	75
39155704	10	75
39156421	12	47
39158211	5	27
39158511	16	6
39158721	10	25
39158721	13	63
39158721	13	63
39163015	24	2
39163015	10	34
39165721	8	15
39166005	2	8
39167204	9	34
39167204	14	34
39167204	21	35
39167304	5	22
39167304	6	34
39167404	10	4
39167404	17	10
39167604	19	2
39168004	10	69
39168004	11	75
39169901	14	4
39170207	6	58
39170415	25	67
39170511	17	26
39171619	7	3
39172104	25	5
39173719	3	50
39179021	14	10

PART INDEX

RE 45/4-STROKE
PETROL,CNG,LPG

Part No.	Figure No.	Page No.
39179211	14	26
39182612	10	18
39182612	6	24
39182612	18	27
39182812	4	27
39182812	12	44
39182912	7	26
39182912	11	27
39182912	13	44
39182912	18	45
39182912	16	50
39182912	4	60
39183012	14	25
39183012	8	51
39183911	29	67
39183911	6	76
39186420	4	3
39186919	6	6
39188020	2	10
39188515	8	11
39190701	10	72
39191719	9	3
39192707	5	11
39193120	15	11
39193815	11	16
39194004	2	24
39194404	6	26
39194404	11	51
39194404	14	51
39194404	8	77
39195804	11	8
39195804	4	39
39196304	24	5
39197215	7	74
39197215	7	75
39198104	7	23
39200811	11	17
39201719	3	9
39203804	4	36
39203804	10	50

Part No.	Figure No.	Page No.
39213217	6	7
39214704	10	23
39215320	16	11
39218106	9	7
39218106	17	8
39220804	19	78
39224020	4	50
39224501	16	78
39229515	8	30
39235717	16	48
39236220	4	48
39238315	10	32
39238315	9	75
39242411	12	51
39244311	8	4
39245401	18	67
39246417	7	50
39247304	8	81
39248415	14	68
39251604	3	47
39253404	19	50
39254220	4	10
39254717	29	5
39255020	3	48
39256120	5	3
39258811	21	27
39260715	16	42
39260801	20	8
39262921	15	8
39263101	18	78
52AF0110	3	70
52AN0074	0	6
52BA0283	3	70
59010005	3	66
59010005	8	69
59010007	4	66
59010007	19	67
59010010	3	83
59040029	13	25
59040038	5	8

PART INDEX

RE 45/4-STROKE
PETROL,CNG,LPG

Part No.	Figure No.	Page No.
59050002	9	1
59050002	2	3
59150003	11	48
59170007	7	88
59200012	19	42
59200012	6	45
59210012	22	89
59210013	5	88
59210015	10	88
59210017	23	87
AA101006	2A	17
AA101009	3	17
AA101054	4	12
AA101055	9	13
AA101058	11	14
AA101061	9	12
AA101063	1A	17
AA101084	11	18
AA101108	5	12
AA101122	26	21
AA101123	2	1
AA101124	4	1
AA101138	6	11
AA101139	7	11
AA101142	5	17
AA101143	10	1
AA101145	7	1
AA101194	7	26
AA101207	4	17
AA101209	29	21
AA101212	5	19
AA101213	12	17
AA101215	28	21
AA101216	8	16
AA101220	5	23
AA101221	25	2
AA101249	3	1
AA101277	14	20
AA101283	9	27
AA101286	27	21

Part No.	Figure No.	Page No.
AA101289	21	21
AA101295	2	12
AA101297	19	20
AA101329	5	20
AA101345	9	11
AA101347	24	21
AA101400	7	17
AA101401	8	17
AA101424	3	11
AA101469	1A	16
AA101470	2	16
AA101471	3	16
AA101472	5	16
AA101473	7	16
AA101474	10	16
AA101591	2B	17
AA101592	1B	17
AA101593	1B	16
AA101598	1	16
AA101599	1	17
AA101600	2	17
AA101665	4	18
AA101667	17	5
AA101713	1	1
AA101721	1	40
AA101722	4	40
AA101734	6	19
AA101735	1	3
AA101736	1	18
AA101742	9	25
AA101743	0	25
AA101745	2	25
AA101747	18	25
AA101750	6	25
AA101753	21	31
AA101754	1	27
AA101755	10	27
AA101767	1	10
AA101768	0	10
AA101769	0	8

PART INDEX

RE 45/4-STROKE
PETROL,CNG,LPG

Part No.	Figure No.	Page No.
AA101779	11	13
AA101780	2	13
AA101781	3	13
AA101782	4	13
AA101786	1	27
AA101787	10	27
AA101795	16	5
AA101811	12	27
AA101814	6	10
AA101819	7	18
Aa101821	14	18
AA101838	10	8
AA101841	13B	27
AA101843	7	9
AA101846	1	10
AA101847	0	10
AA101848	0	8
AA111049	16	24
AA111067	3	24
AA111079	8	24
AA111080	15	24
AA111081	9	24
AA111082	10	24
AA111085	12	24
AA111086	13	24
AA111087	14	24
AA111092	1	24
AA111093	7	24
AA111094	11	24
AA111095	11	24
AA111119	11	79
AA111120	15	79
AA111122	11	79
AA111124	11	79
AA121060	1	15
AA121137	15	29
AA121147	6	30
AA121147	6	32
AA121148	3	30
AA121148	3	32

Part No.	Figure No.	Page No.
AA121149	4	30
AA121149	4	32
AA121150	2	30
AA121150	2	32
AA121193	5	32
AA121195	15A	30
AA121199	1	28
AA121201	20	31
AA121204	1	30
AA121205	13	30
AA121208	1	28
AA121209	1	28
AA121218	9	8
AA131004	12	25
AA131033	2	14
AA141008	2A	36
AA141046	17	29
AA141059	21	37
AA141067	12	38
AA141079	34	37
Aa141088	35	37
AA151039	7	56
AA151047	1	48
AA151049	12	48
AA161080	14	79
AA161089	1	25
AA161183	1	51
AA161187	32	67
AA161190	4	69
AA161191	5	69
AA161210	1	64
AA161215	1	66
AA161216	15	66
AA161218	27	67
AA161219	28	67
AA161220	1	26
AA161225	21	67
AA161265	9	79
AA161268	13	69
AA161269	14	69

PART INDEX

RE 45/4-STROKE
PETROL,CNG,LPG

Part No.	Figure No.	Page No.
AA161270	15	69
AA171006	3	42
AA171006	3	43
AA171007	4	43
AA171009	5	43
Aa231273	41	73
AA171011	5	42
AA171022	4	42
AA171024	4A	42
AA171025	1	54
AA181022	3	54
AA181023	2	54
AA191032	6	60
AA191091	2	62
AA191092	6	62
AA191093	4	62
AA191094	3	62
AA191095	5	62
AA191102	11	63
AA201081	12	66
AA201090	5	77
AA201185	2	79
AA201194	16	67
AA201227	3	77
AA201239	13	78
AA201250	3	65
AA201252	13	65
AA201256	2	78
AA201258	5	78
AA201262	7	76
AA201263	8	68
AA201264	5	76
AA201265	8	65
AA221005	16	69
AA221006	17	69
AA221028	25	71
AA221033	12	70
AA231110	4	74
AA231129	12	74
AA231142	7	30

Part No.	Figure No.	Page No.
AA231223	10	68
AA231242	3	68
AA231245	5	64
AA231249	1	70
AA231278	2	68
AB101014	16	2
AB101038	4	4
AB101067	3	12
AB151049	3	56
AB151050	11	56
AB151053	13	56
AB151054	5	57
AB151072	6	57
AB151079	26	53
AB161182	2	51
AB171013	5	46
AB171014	6	46
AB171015	7	46
AB171016	4	46
AB171016	10	47
AB171017	9	46
AB171020	15	48
AB171022	13	48
AB171023	14	48
AB171031	12	46
AB171044	3	46
AB181012	4	54
AB181017	9	54
AB181019	8	54
AB181020	13	54
AB181022	15	54
AB181023	14	54
AB181033	5	54
AB201076	7	79
AB201077	7	78
AF101023	1A	1
AF101035	20	5
AF101035	29	31
AF111021	1	24
AF111022	11	79

PART INDEX

RE 45/4-STROKE
PETROL,CNG,LPG

Part No.	Figure No.	Page No.
AF121001	12A	84
AF121004	1	84
AF121012	5	81
AF121018	4	84
AF121023	2	84
AF121024	3	84
AF121025	5	84
AF121027	7	84
AF121028	8	84
AF121029	10	84
AF121030	11	84
AF121032	13	84
AF121034	14	84
AF121037	17	84
AF121038	18	85
AF121039	31	85
AF121040	32	85
AF121044	19	85
AF121045	20	85
AF121046	22	85
AF121049	6	83
AF121057	4	83
AF121058	5	83
AF121069	3	88
AF121070	33	87
AF121084	28	85
AF121085	8	83
AF121104	23	85
AF121104	27	87
AF121105	24	85
AF121106	25	85
AF121106	24	87
AF121107	26	85
AF121108	27	85
AF121126	15	84
AF121127	30	85
AF121133	23	31
AF121316	3	82
AF121317	4	82
AF121319	5	82

Part No.	Figure No.	Page No.
AF121320	6	82
AF121322	7	82
AF121323	8	82
AF121325	9	82
AF121326	10	82
AF121327	2	82
AF121393	25	29
AF121445	10	28
AF121447	9	28
AF121449	8	28
AF121489	6	81
AF121505	1	32
AF121507	15B	30
AF121509	18	31
AF121511	28	31
AF121512	1	86
AF121514	3	81
AF121519	13	30
AF121521	6	84
AF121522	1A	28
AF141030	1B	80
AF141059	1A	80
AF141071	7	38
AF141072	4	38
AF141075	1	38
AF161024	26	71
AF161040	29	71
AF161059	3	80
AF161090	6	77
AF161097	7	80
AF161098	2	80
AF161100	8	80
AF161114	1A	64
AF201001	13	79
AF201010	21	85
AF201036	10	79
AF201081	11	78
AF201094	10	78
AF201144	16	67
AF201172	4	65

PART INDEX

RE 45/4-STROKE
PETROL,CNG,LPG

Part No.	Figure No.	Page No.
AF201180	9	65
AF221002	16	72
AF221006	15	70
AF231177	1A	70
AK201012	4	79
AL121062	2	30
AL121068	3	30
AL121069	4	30
AL121070	5	30
AL151007	6	50
AL151011	14	50
AL151012	11	50
AL151052	27	53
AL151053	19	53
AL151089	9	50
AL151104	9	59
AL151105	22	59
AL161236	7	69
AL161392	3A	64
AL161502	10	66
AL161503	9	66
AL161509	9	72
AL171051	14	47
AL171058	16	47
AL171065	8	40
AL171081	11	47
AL171091	8	47
AL171093	7	47
AL171095	9	47
AL171104	13	47
AL191020	12	63
AL191043	12	66
AL201012	6	79
AL201031	8	78
AL201034	2	39
AL201039	11	78
AL201060	1	78
AL201062	3	78
AL201070	17	78
AL201100	23	67

Part No.	Figure No.	Page No.
AL201119	1	76
AL201120	2	76
AL201127	13	64
AL241023	7	68
AM101034	1B	1
AM121077	17	31
AM121089	31	87
AM121105	13	81
AM121152	1A	86
AM121153	6A	84
AM121156	1B	28
AM121158	15B	30
AM121162	31	31
AM121163	32	31
AM121169	1	28
AM121171	1	36
AM141003	1	80
AM141004	3	38
AM161020	27	71
AM191005	12	63
AM201063	17	67
AM201087	5	65
AM201100	10	65
AM201109	5	65
AM201110	17	67
AN101062	16	3
AN101113	25	35
AN101127	23	2
AN101129	20	2
AN101133	2	7
AN101135	8	7
AN101138	1	8
AN101140	4	9
AN101147	13	9
AN101149	12	8
AN101152	1	11
AN101155	14	11
AN101157	9	23
AN101161	1	4
AN101162	1	22

PART INDEX

RE 45/4-STROKE
PETROL,CNG,LPG

Part No.	Figure No.	Page No.
AN101165	4	22
AN101166	10	10
AN101175	23	35
AN101177	3	8
AN101178	4	8
AN101181	14	8
AN101182	8	10
AN101183	2	22
AN101186	19	5
AN101188	11	15
AN101189	13	4
AN101190	9	15
AN101197	1	12
AN101198	10	12
AN101200	11	12
AN101202	8	23
AN101203	3	22
AN101232	10	15
AN101238	15	3
AN101239	18	23
AN101250	12	10
AN101257	11	10
AN101258	17	23
AN101297	1	3
AN101298	1	6
AN101300	1	19
AN101305	2	19
AN101307	12	34
AN101308	11	34
AN101312	12	6
AN101322	13	27
AN101323	3	10
AN101328	8	13
AN101334	20	35
AN101336	1	14
AN101337	13	14
AN101338	10	14
AN101339	10	13
AN101341	2B	11
AN101342	2	11

Part No.	Figure No.	Page No.
AN101343	2A	11
AN101347	12	13
AN101348	15	4
AN101352	13	3
AN101353	1	41
AN101354	1	14
AN101355	2A	14
AN101356	13	14
AN101357	3A	7
AN101358	4A	7
AN101361	14	17
AN101375	6	4
AN101376	7	4
AN101379	1	13
AN101391	16	5
AN101414	3	7
AN101415	4	7
AN101418	1	9
AN101420	2	4
AN101421	23	29
AN101423	15	34
AN101431	2	9
AN111008	1	23
AN111009	2	23
AN111012	4	23
AN111013	3	23
AN111015	14	23
AN111017	12	23
AN111018	13	23
AN121201	9	8
AN121205	1	34
AN121206	4	34
AN121207	8	34
AN121208	0	34
AN131007	13	6
AN131007	7	8
AN131022	4	19
AN161074	5	90
AN161075	7	90
AN191017	10	59

PART INDEX

RE 45/4-STROKE
PETROL,CNG,LPG

Part No.	Figure No.	Page No.
AN201012	3	79
AP101149	12	4
AP101210	6	23
AP101268	6	3
AP111023	13	18
AP151002	2	50
AP151017	2	52
AP151025	5	50
AP151031	18	50
AP161047	20	61
AP161048	1	60
AP161054	1	74
AP201037	1	79
AP201058	12	78
AS121011	19	31
AS140003	14	39
AS230005	28	71
AT213001	16	75
AU172034	21	89
AU172052	13	88
AU172065	8	88
AU172066	16	89
AU172074	14	88
AU172078	1	88
AU402601	17	89
AU403001	18	89
AY141202	5	40
AZ111012	3	39
AZ111026	1B	64
AZ113402	1	26
AZ113801	18	72
Az113804	17	72
AZ113806	17	39
AZ131802	1	56
AZ131802	6	56
AZ161000	8	59
AZ161001	12	59
AZ161003	1	62
AZ161207	3	62
AZ161208	4	62

Part No.	Figure No.	Page No.
AZ161209	2	62
AZ161212	7	62
AZ161213	22	67
AZ161215	11	63
AZ161217	6	62
AZ171003	1	39
AZ171803	7	39
AZ171805	12	39
AZ171807	15	39
AZ171811	13	39
AZ171812	11	39
AZ172004	18	81
AZ172007	6	86
AZ172008	16	84
AZ172013	29A	85
AZ172025	1	86
AZ172029	25	87
AZ211010	7	72
AZ211028	1	72
AZ213006	18	75
AZ231000	32	73
AZ232601	2A	64
AZ232602	2B	64
AZ351207	13	8
AZ401400	6	78
AZ402208	14	65
AZ402211	6	65
AZ402212	11	65
AZ501002	1C	1
AZ511000	0	8
AZ511200	0	10
AZ541200	0	6
AZ551000	1	12
AZ551200	8A	14
AZ551201	8B	14
AZ581009	16	31
AZ581009	13	32
AZ581013	3	33
AZ581018	10	33
AZ581021	12	33

PART INDEX

RE 45/4-STROKE
PETROL,CNG,LPG

Part No.	Figure No.	Page No.
AZ581024	5	33
AZ581026	11	30
AZ581033	17	32
AZ581034	1	33
AZ581039	17	31
AZ581039	14	32
AZ581041	18	32
AZ581047	20	5
AZ581049	11	32
AZ581054	15	32
AZ581057	4	33
AZ581202	28	29
AZ581212	23	29
AZ581214	1C	28
AZ581216	23	33
AZ581402	9	8
AZ581403	24	29
AZ591010	1	27
AZ591011	10	27
AZ591014	12	27
AZ591015	13A	27
AZ591016	13B	27
AZ621011	7	20
AZ621016	12	20
AZ621019	1	20
AZ621022	31	21
AZ621202	20	21
BA102160	2	26
BA122062	12	30
BA122062	16	32
BA132141	3	18
BA161029	4	90
BA171007	11	43
BA171008	10	43
BA171009	8	43
BA191040	15	63
BA191050	5	62
BA191080	9	60
BA201001	1	90
BA201067	1	90

Part No.	Figure No.	Page No.
BA231058	2	70
BA231133	3	70
BB131024	13	40
BB161099	1A	51
BB161244	35	73
BB161245	36	73
BB191025	8	60
BB191029	1	59
BB201070	4	76
BB221002	16	69
BB221003	17	69
BB221004	6	75
BB231271	6	64
BF131428	15	45
BF131707	14	41
BF131707	12	45
BF131722	5	45
BF131723	4	45
BF161283	23	59
BF171604	3	36
BF551426	9	4
BF551613	10	3
BF551613	5	6
BG113804	8	56
BG131802	8	62
BG141252	9	40
BG141253	10	40
BG221003	29	73
BG233002	8	64
BG233002	2	69
BG581006	8	32
BH111056	21	55
BH111071	18	68
BH111092	2	65
BH113805	2	90
BH113806	2A	90
BH121002	22	55
BH121004	1	47
BH121005	2	47
BH122000	9	43

PART INDEX

RE 45/4-STROKE
PETROL,CNG,LPG

Part No.	Figure No.	Page No.
BH122002	6	43
BH122005	16	43
BH122006	15	43
BH122013	1	43
BH122014	2	43
BH122020	13	43
BH131002	14	45
BH131007	15	56
BH131010	16	45
BH131011	28	53
BH131203	3	45
BH131204	1	45
BH131206	13	45
BH131207	2	45
BH131211	17	45
BH131212	1A	52
BH131213	1B	52
BH131403	21	45
BH131404	20	45
BH131601	8	50
BH131804	7	56
BH131807	9	56
BH131809	1	50
BH131813	16	53
BH131814	15	53
BH151001	1A	54
BH151007	2	54
BH151008	6	54
BH151009	7	54
BH161007	2	59
BH161009	3	59
BH161010	7	59
BH161011	13	59
BH161012	14	59
BH161214	9	62
BH161215	10	62
BH181201	12	75
BH181204	15	64
BH181401	13	72
BH181402	14	72

Part No.	Figure No.	Page No.
BH181405	37	73
BH181406	38	73
BH182403	12	72
BH184000	2	68
BH184601	16	69
BH184602	17	69
BH185000	14	33
BH185001	15	33
BH185002	17	33
BH185003	18	33
BH191009	4	75
BH191019	3	75
BH191022	5	75
BH191026	1	75
BH191030	2	75
BH211012	2	72
BH211014	8	72
BH211016	3	72
BH211051	28	73
BH211057	27	73
BH211061	26	73
BH211148	5	72
BH211158	24	73
BH211163	33	73
BH211165	34	73
BH211181	6	72
BH213009	14	75
BH213012	15	75
BH233005	15	72
BH241400	4	72
BH241402	25	73
BH241800	22	73
BH401000	1A	77
BH401002	2A	77
BH401004	9	77
BH401010	12	66
BH551409	5	41
BH551420	3	41
BH551421	4	41
BH551800	2	41

PART INDEX

RE 45/4-STROKE
PETROL,CNG,LPG

Part No.	Figure No.	Page No.
BH581005	8	33
BH581010	6	33
BH581010	9	33
CB111008	15	23
CB121046	13	29
CE181015	2	66
CL181024	23	49
CL181024	23	55
CL201023	3	76
CM191049	17	61
CM201054	13	66
CS141005	6	39
CS141006	11	38
CX141044	12	83
CX141045	13	83
CX141046	9	83
DD101062	15	10
DD111012	16	23
DD121013	10	39
DF101055	11	9
DG101029	5	9
DG101263	2	33
DG141019	2	34
DG141019	11	81
DG161124	3	20
DG201084	5	79
DH101141	5	4
DH101180	9	4
DH101275	11	4
DH101795	13	17
DH111013	19	23
DH121038	24	29
DH121038	10	30
DH121118	12	29
DH161194	4	59
DJ101017	7	7
DJ101064	2	27
DJ201072	11	76
DJ201109	20	78
DK101064	9	10

Part No.	Figure No.	Page No.
DK101067	13	11
Dk101097	17	3
Dk101097	12	11
DK101236	22	35
DK101237	24	35
DK101247	6	9
DK101277	17	35
DK101278	18	35
DK101340	13	34
DK101449	27	5
DK101469	26	5
DK101472	28	5
DK101751	9	9
DK101755	10	9
DL191020	14	66
DP101154	28	2
DS101276	7	10
DS101277	13	10
DS161125	12	56
DU101223	21	2
DX101074	14	9
DZ121041	24	31
DZ121041	21	32
DZ121048	14	29
EC131835	10	56
EC541004	13	15
EE521220	7A	7
GF101139	9	22
GH201012	4	77
JA541019	5	15
JA541020	7	15
JA551421	12	16
JA551422	13	16
JA581221	3	28
JA581236	18	29
JA581314	16	29
JB581202	29	29
JG581015	16	33
JL511205	8	9
JN351604	12	79

PART INDEX

RE 45/4-STROKE
PETROL,CNG,LPG

Part No.	Figure No.	Page No.

Part No.	Figure No.	Page No.

PART INDEX

RE 45/4-STROKE
PETROL,CNG,LPG

Part No.	Figure No.	Page No.

Part No.	Figure No.	Page No.

PART INDEX

RE 45/4-STROKE
PETROL,CNG,LPG

Part No.	Figure No.	Page No.

Part No.	Figure No.	Page No.

PART INDEX

RE 45/4-STROKE
PETROL,CNG,LPG

Part No.	Figure No.	Page No.

Part No.	Figure No.	Page No.