

# Spare Parts Catalogue



## Notice

---

All information contained in this manual is based on the latest product information at the time of publication. Bajaj Auto Limited accepts no liability for any inaccuracies or omissions in this publication, although every possible care has been taken to make it as complete and accurate as possible. All procedures and specifications subject to change without prior notice. The right is reserved to make such changes at any time without prior notice and without incurring an obligation to make such changes to product manufactured previously. Contact your authorized Bajaj Dealer for the latest information on product improvements incorporated after this manual was issued.

**DOC. NO.: XXXXXXXX**

**REV. 01, JUL 15**

Copy rights : All rights reserved. No part of this publicatin may be reproduced, stored in a retrival system, Or transmitted in any form or by any means, electronic mechanical photocopying, recording or otherwise, without the prior written permission of Bajaj Auto LTD.

---

## Foreword

We have pleasure in presenting the Spare Parts Catalogue for 'Pulsar NS 150 & AS 150' Motorcycle. This catalogue has been specially designed to assist you in selecting the correct parts for procurement to maintain 100% availability.

The Bajaj spares are subjected to the stringent quality control standards to ensure longer life of the vehicle. It is therefore necessary that only the Genuine Bajaj Spares are used.

In a continual effort to improve Performance and Efficiency of the vehicles, Specifications, Diagrams, Illustrations and Part Numbers can change without notice. Consequently, the description in this Spare Parts Catalogue cannot therefore be final and binding on us.

The modifications / alterations which are carried out after the issue of this catalogue, will be conveyed to you through our Service Circulars. You are requested to make necessary corrections in the Parts Catalogue as per the circulars so as to keep your catalogue up-to-date. This will ensure the appropriate and speedy delivery of the Spare Parts as the order placed will bear the latest part numbers.

In case, if you need any technical assistance contact the concerned Regional Office or write to us on the following address :

### Bajaj Auto Limited

#### Service Department

Akurdi, Pune 411 035 India

Phone : 020-27406557

Fax : 020-27407385

## Instructions

**1. How to Read the Catalogue :** Open the catalogue and from the pictorial index locate the group in which the part you want to find is present. Turn over to the concerned page number (as given by pictorial index). Now find out the figure of the part you wish to order. Write down the part number against that particular figure number from the text.

In case, if you have the part number and you need the other details, the part index can be used. The part index (at the end of the catalogue) will give you the figure and page number of the part you wish to order.

**2. How to Order Spare Parts :** The part number and the description of the part required should be invariably mentioned in the order as per the catalogue text.

The latest part number as conveyed through our service circulars should only appear on the order. In case of ordering painted components, colour shade of the components should be mentioned.

The quantity shown against the part number is the quantity per vehicle for that group so that particular quantity should be multiplied by the number of sets required.

**3. Part Number System :** We have used 8 digit system for part numbers. The model or hardware item is indicated by first two digits or alphanumeric, the next two or four digits indicate main group and the last four or two digits indicate serial number in main group or serial number or subgroup of fastener respectively. Thus the part numbers will be indicated by 2-2-4 or 2-4-2 digit system. Understanding this system will enable you to identify the spare parts easily.

**4. Abbreviations :** The following abbreviations are used in this catalogue.

Assly	Assembly	V	Volts
N.I.	Not illustrated	W	Watts
C'case	Crankcase	Accl.	Accelerator
Cyl	Cylinder	Comp.	Complete
O/s	Over size	Fr.	Front
Rr.	Rear	Std.	Standard
L	Length	A/t.	Alternate
R.H.	Right hand	L.H.	Left hand
Hex.	Hexagonal	AR	As required

## Index

Plate No.	Description	Page No.
1	Cover Cylinder Head	2
2	Cylinder Head	4
3	Valve	6
4	Camshaft / Tensioner	8
5	Cylinder and Piston	10
6	Crankshaft	12
7	Transmission	14
8	Change Drum / Shift Fork	16
9	Gear Change Mechanism	18
10	Engine Assly / Crankcase RH	20
11	Crankcase LH	22
12	Balancer Idler Gear / Water Pump	24
13	Oil Pump	26
14	Radiator	28
15	Cover Clutch	30
16	Cover Magneto	32
17	Clutch Assly	34
18	Carburettor	36
19	Air Cleaner Complete	38
20	Silencer Assly	40
21	Starter Assly	42
22	Magneto, C.D.I. & H.T. Coil	44
23	Seat Assly / Seat Lock	46
24	Engine Mountings	48
25	Frame and Frame Fitting	50
26	Swing Arm / Rear Shock Absorber	52
27	Pillion Foot Rest / Holder	54
28	Mudguard- Front & Rear	56
29	Stand Assembly	58
30	Tyre/ Tube / Rim	60

## Index

Plate No.	Description	Page No.
31	Front Hub	62
32	Front Master Cylinder	64
33	Front Disc Brake	66
34	Rear Hub	68
35	Rear Disc Brake System	70
36	Rear Brake Pedal	72
37	Handle Bar Assly	74
38	Front Fork	76, 78
39	Painted Parts & Decals	80, 82
40	Radiator Cover	84
41	Petrol Tank, Cap Tank & Gauge Fuel	86
42	Fittings - Petrol Tank, Side Cover & Cover Seat	88
43	Meter Assly.	90
44	Control Cables	92
45	Chain Case	94
46	Head Lamp & Fairing	96
47	Indicator Light Assly.	98
48	Tail Lamp Assly. / Front No. Plate	100
49	Electrical Equipments	102
50	Tool Kit	104
51	Accessories / Grab Handle	106
	Kits List For Pulsar 135 LS	107, 108
		109
	Amendment Sheet (Parts Added)	111
	Amendment Sheet (Parts Deleted)	112
	Part Index	

# Pictorial Index

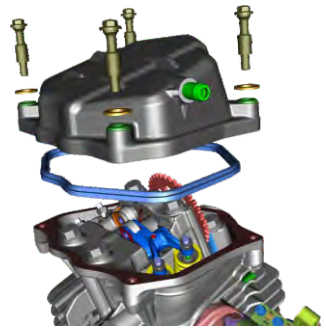
PLATE NO. : 1 COVER CYLINDER HEAD	PAGE NO. 1
	

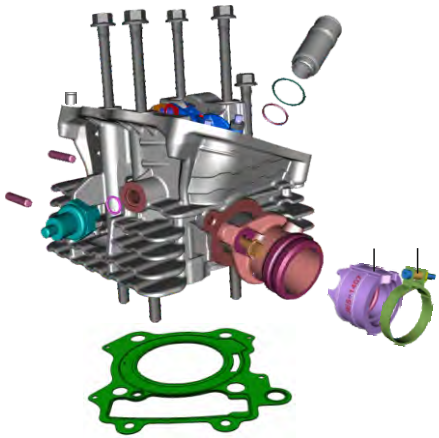
PLATE NO. : 2 CYLINDER HEAD	PAGE NO. 3
	

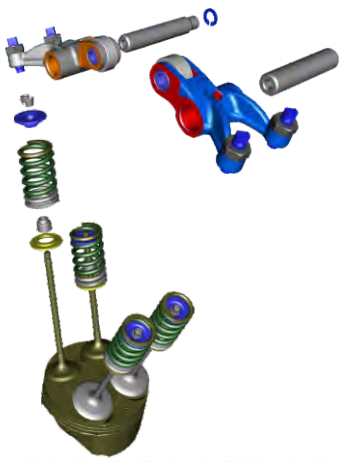
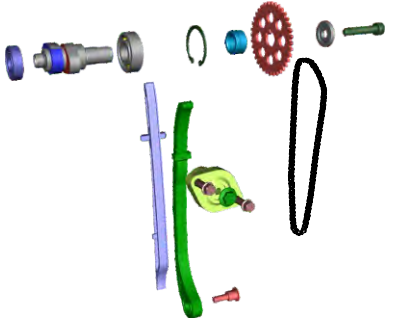
PLATE NO. : 3 VALVE	PAGE NO. 5
	

PLATE NO. : 4 CAMSHAFT / TENSIONER	PAGE NO. 7
	

# Pictorial Index

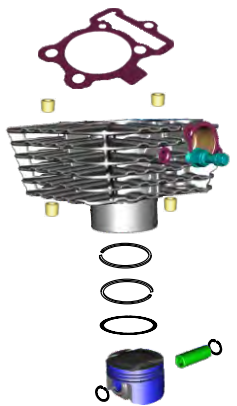
PLATE NO. : 5 CYLINDER & PISTON	PAGE NO. 9
	

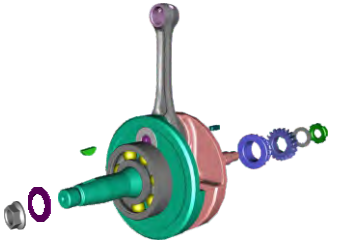
PLATE NO. : 6 CRANKSHAFT	PAGE NO. 11
	

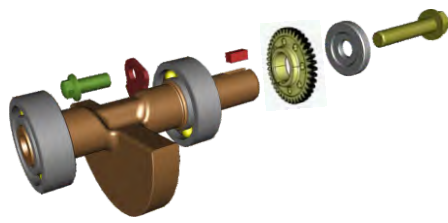

PLATE NO. : 7 BALANCER ASSEMBLY	PAGE NO. 13
	

PLATE NO. : 8 TRANSMISSION	PAGE NO. 15
	

# Pictorial Index

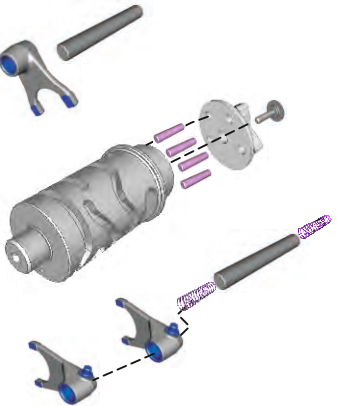
PLATE NO. : 9 CHANGE DRUM / SHIFT FORK	PAGE NO. 17
	

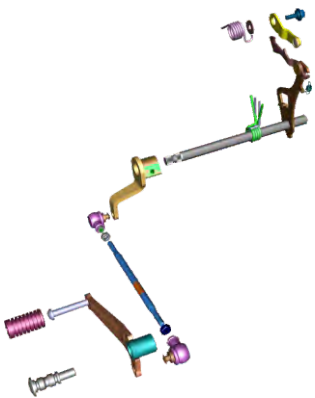
PLATE NO. : 10 GEAR CHANGE MECHANISM	PAGE NO. 19
	

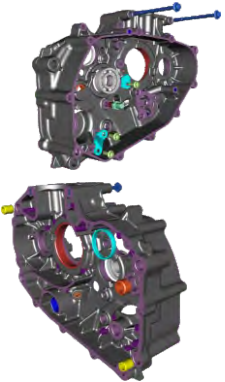
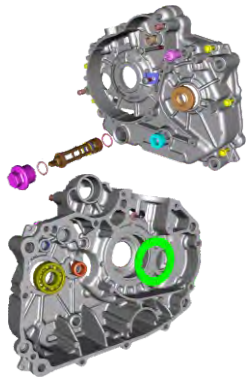
PLATE NO. : 11 ENGINE ASSEMBLY / CRANKCASE RH	PAGE NO. 21
	

PLATE NO. : 12 CRANKCASE LH	PAGE NO. 23
	

# Pictorial Index

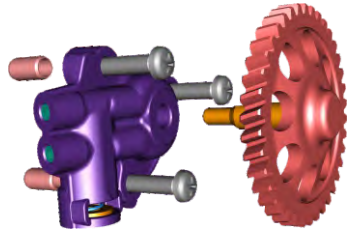
PLATE NO. : 13 OIL PUMP	PAGE NO. 25
	

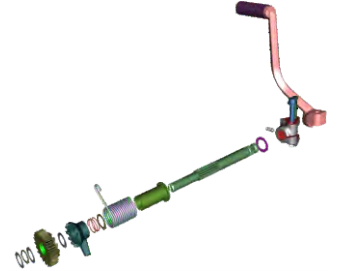
PLATE NO. : 14 KICK ASSEMBLY	PAGE NO. 27
	

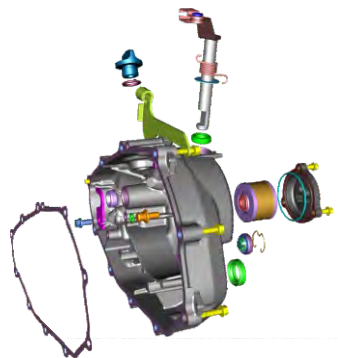
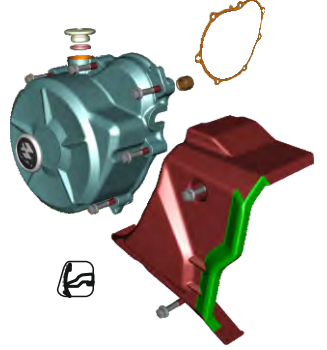
PLATE NO. : 15 COVER CLUTCH	PAGE NO. 29
	

PLATE NO. : 16 COVER MAGNETO	PAGE NO. 31
	

# Pictorial Index

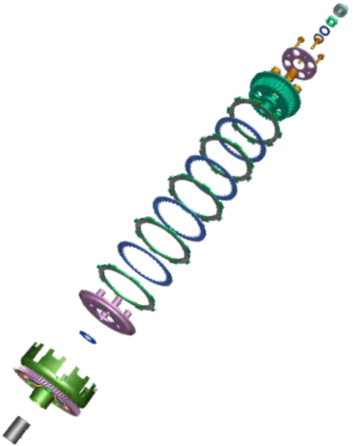
PLATE NO. : 17 CLUTCH ASSEMBLY	PAGE NO. 33
	

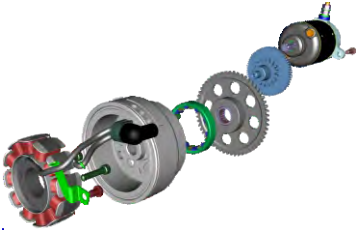
PLATE NO. : 18 STARTER ASSEMBLY	PAGE NO. 35
	

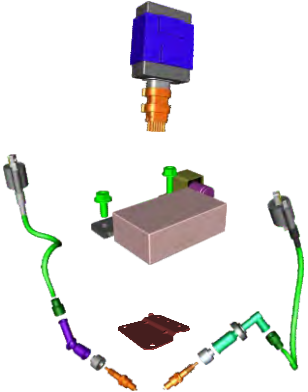
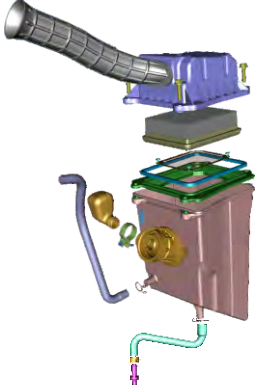
PLATE NO. : 19 CDI & H T COIL	PAGE NO. 37
	

PLATE NO. : 20 AIR FILTER ASSEMBLY	PAGE NO. 39
	

# Pictorial Index

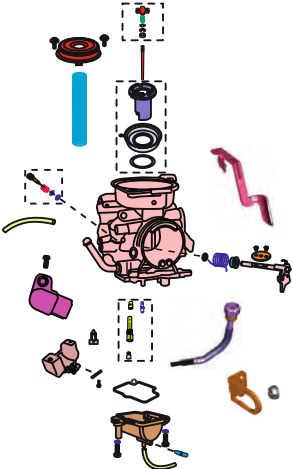
PLATE NO. : 21 CARBURETOR	PAGE NO. 41
	

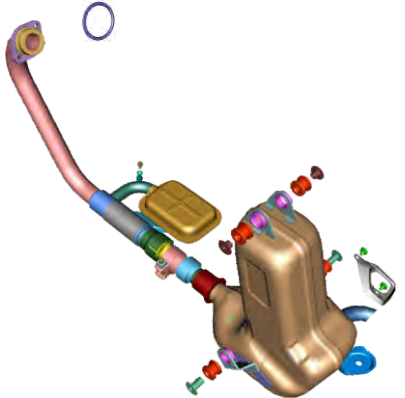
PLATE NO. : 22 SILENCER ASSEMBLY	PAGE NO. 43
	

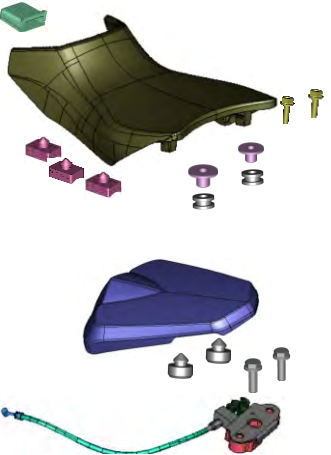
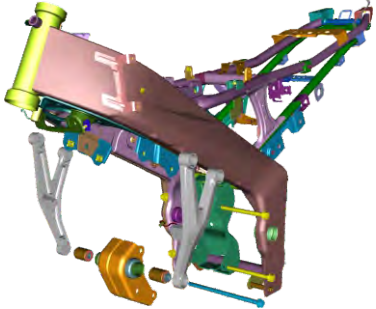
PLATE NO. : 23 SEAT ASSEMBLY / SEAT LOCK	PAGE NO. 45
	

PLATE NO. : 24 ENGINE MOUNTINGS	PAGE NO. 47
	

# Pictorial Index

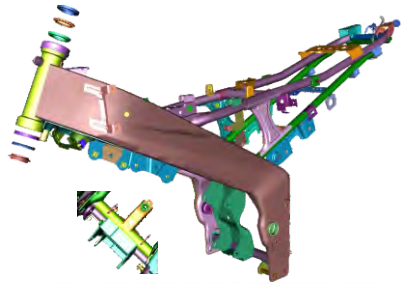
PLATE NO. : 25 FRAME & FITTINGS	PAGE NO. 49
	

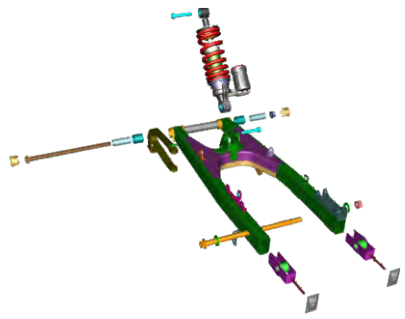
PLATE NO. : 26 SWING ARM/REAR SHOCK ABSORBER	PAGE NO. 51
	

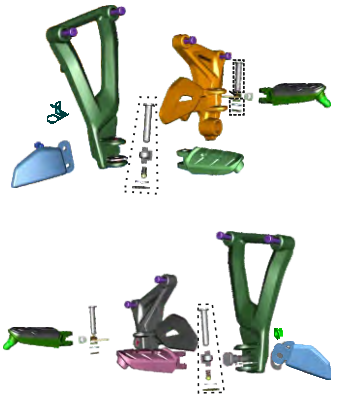
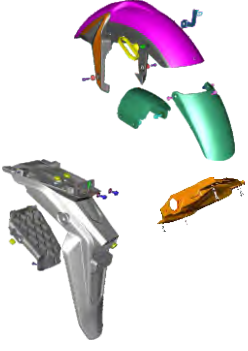
PLATE NO. : 27 PILLION FOOT REST / HOLDER	PAGE NO. 53
	

PLATE NO. : 28 MUD GUARD - FRONT & REAR	PAGE NO. 55
	

# Pictorial Index

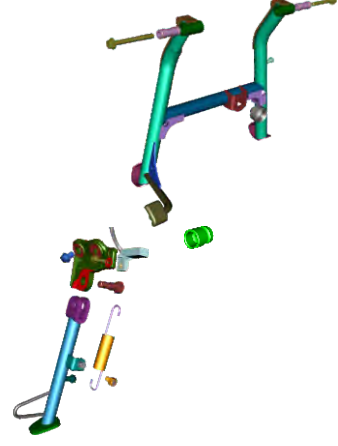
PLATE NO. : 29 STAND ASSEMBLY	PAGE NO. 57
	


PLATE NO. : 30 TUBE / TYRE / RIM	PAGE NO. 59
	


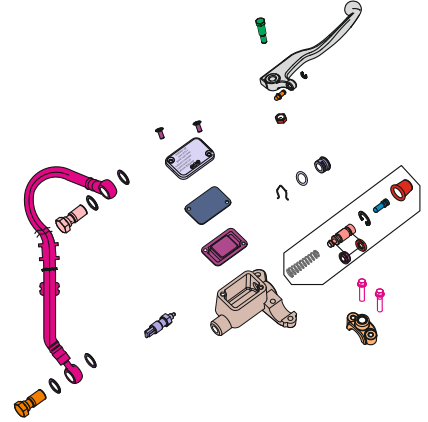
PLATE NO. : 31 FRONT HUB	PAGE NO. 61
	

PLATE NO. : 32 FRONT MASTER CYLINDER	PAGE NO. 63
	



# Pictorial Index

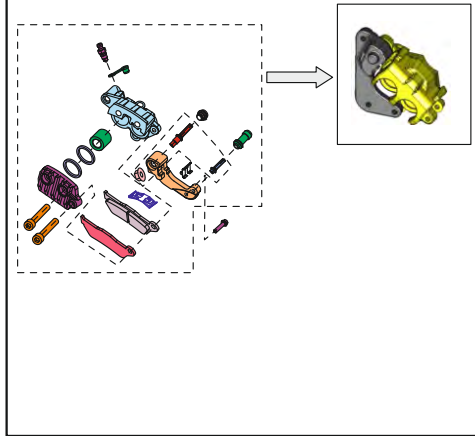
PLATE NO. : 33 FRONT DISC BRAKE	PAGE NO. 65
	

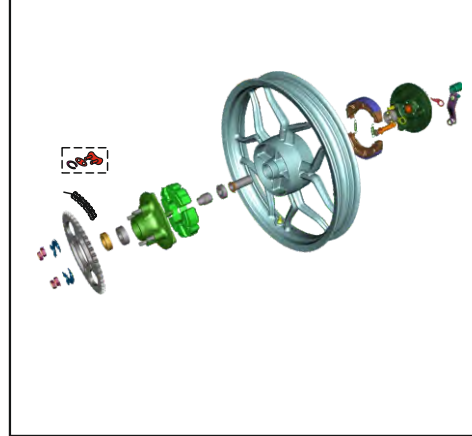
PLATE NO. : 34 REAR HUB	PAGE NO. 67
	

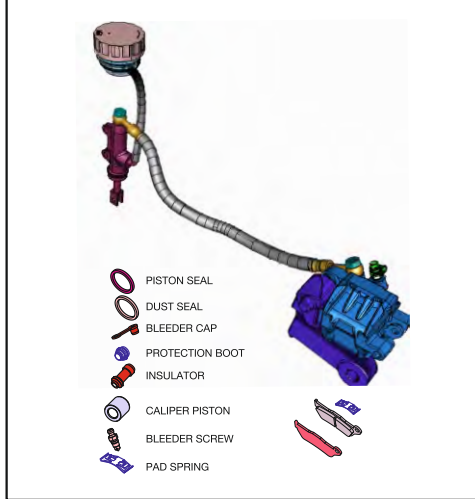







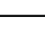
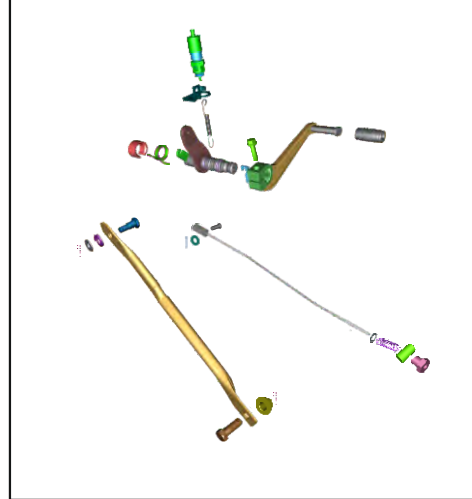
PLATE NO. : 35 REAR DISC BRAKE SYSTEM	PAGE NO. 69
 <ul style="list-style-type: none"> <li> PISTON SEAL</li> <li> DUST SEAL</li> <li> BLEEDER CAP</li> <li> PROTECTION BOOT</li> <li> INSULATOR</li> <li> CALIPER PISTON</li> <li> BLEEDER SCREW</li> <li> PAD SPRING</li> </ul>	

PLATE NO. : 36 REAR BRAKE PEDAL	PAGE NO. 71
	

# Pictorial Index

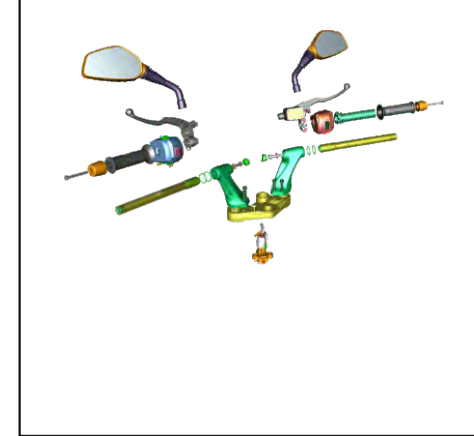
PLATE NO. : 37 HANDLE BAR ASSEMBLY	PAGE NO. 73
	

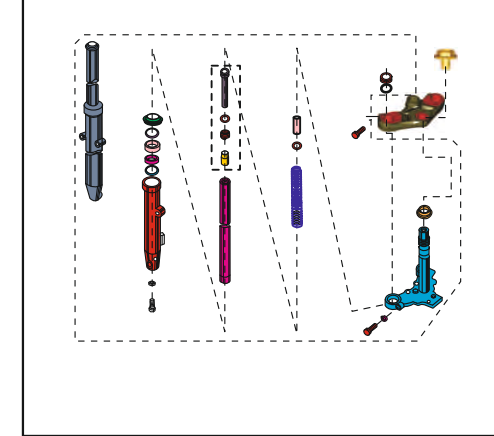
PLATE NO. : 38 FRONT FORK	PAGE NO. 75, 77
	

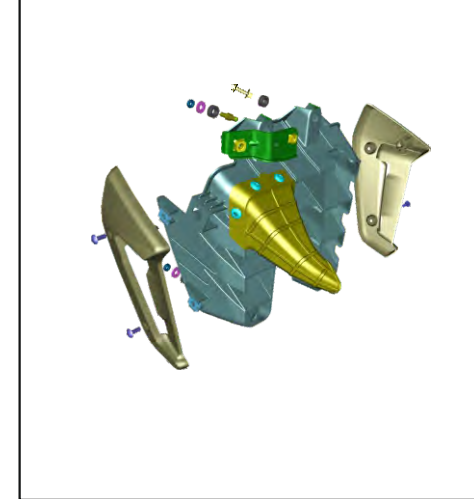
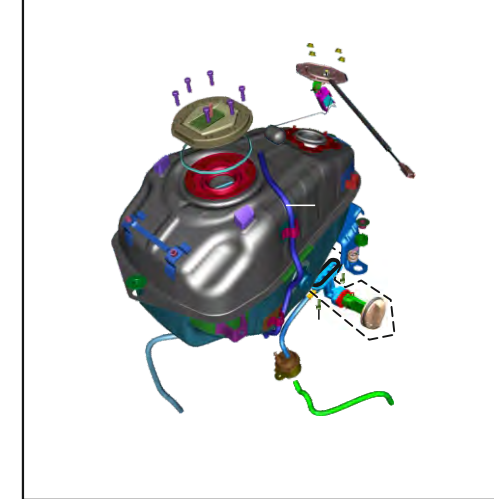
PLATE NO. : 39 RADIATOR COVERS	PAGE NO. 79, 81
	

PLATE NO. : 40 PETROL TANK, CAP TANK & GAUGE FUEL	PAGE NO. 83
	

# Pictorial Index

PLATE NO. : 41 FITTING PETROL TANK COVER, SIDE COVERS PULSAR 150 NS	PAGE NO. 85
	

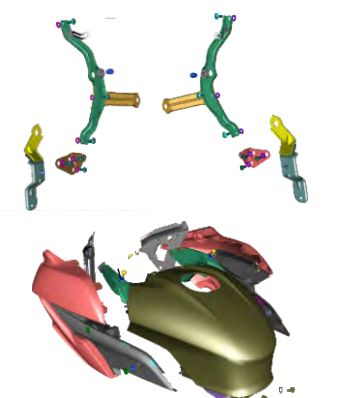
PLATE NO. : 42 FITTING PETROL TANK COVER, SIDE COVERS PULSAR 150 AS	PAGE NO. 87
	

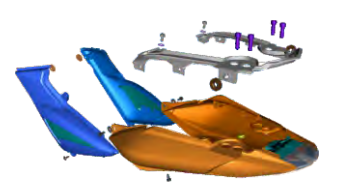
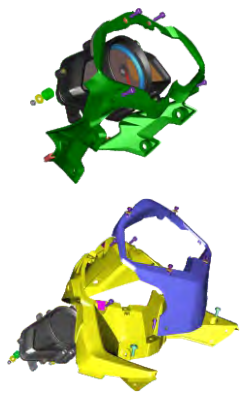
PLATE NO. : 43 FITTINGS - SEAT COVER PULSAR 150 NS	PAGE NO. 89
	

PLATE NO. : 44 SPEEDOMETER ASSEMBLY	PAGE NO. 91
	

# Pictorial Index


PLATE NO. : 45 CABELS	PAGE NO. 93
	

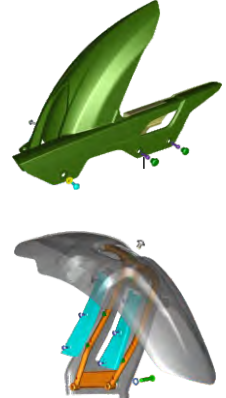
PLATE NO. : 46 CHAIN CASE	PAGE NO. 96
	

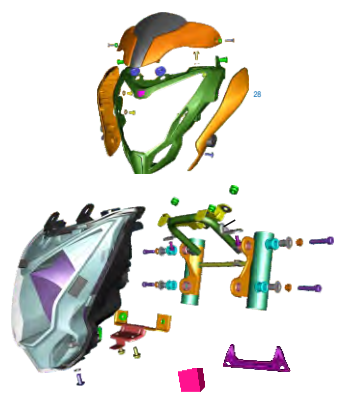
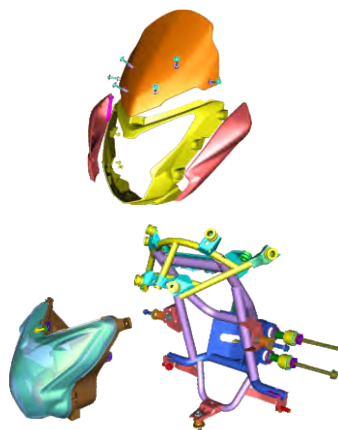
PLATE NO. : 47 HEAD LAMP ASSEMBLY PULSAR 150 NS	PAGE NO. 97
	

PLATE NO. : 48 HEAD LAMP ASSEMBLY PULSAR 150 AS	PAGE NO. 99
	

# Pictorial Index

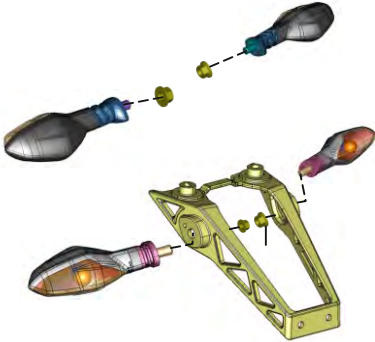
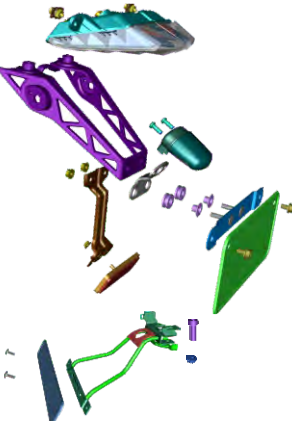

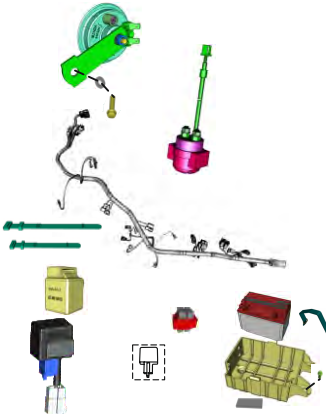
PLATE NO. : 49 INDICATOR ASSEMBLY	PAGE NO. 101	PLATE NO. : 50 TAIL LAMP ASSEMBLY & NUMBER PLATE PULSAR 150 NS	PAGE NO. 103
			

PLATE NO. : 51 TAIL LAMP ASSEMBLY & NUMBER PLATE PULSAR 150 AS	PAGE NO. 105	PLATE NO. : 52 ELECTRICAL EQUIPMENTS	
			

# Pictorial Index

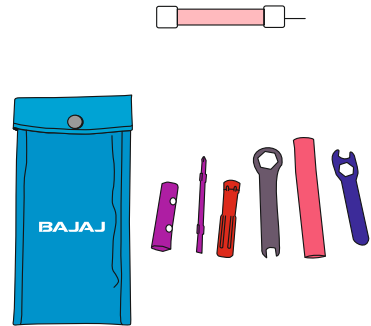
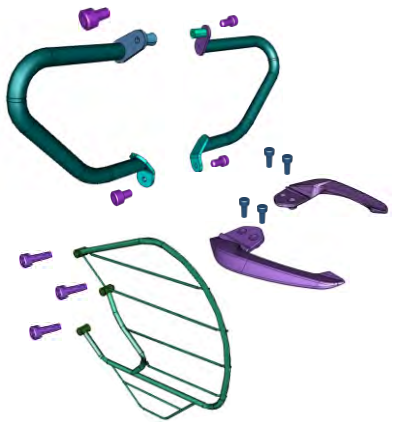


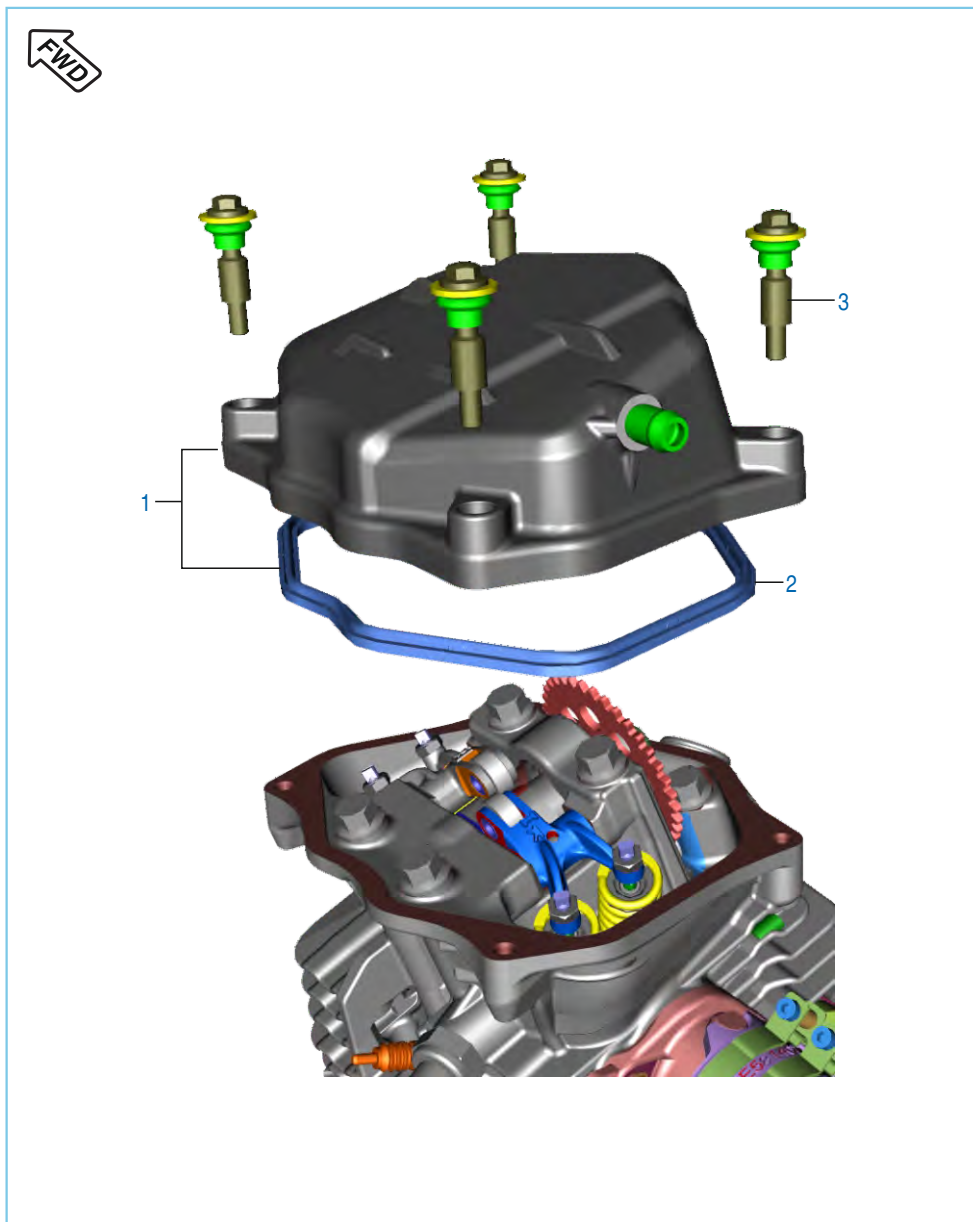
PLATE NO. : 53 TOOL KIT		PLATE NO. : 54 ACCESSORIES / GRAB HANDLE	
			

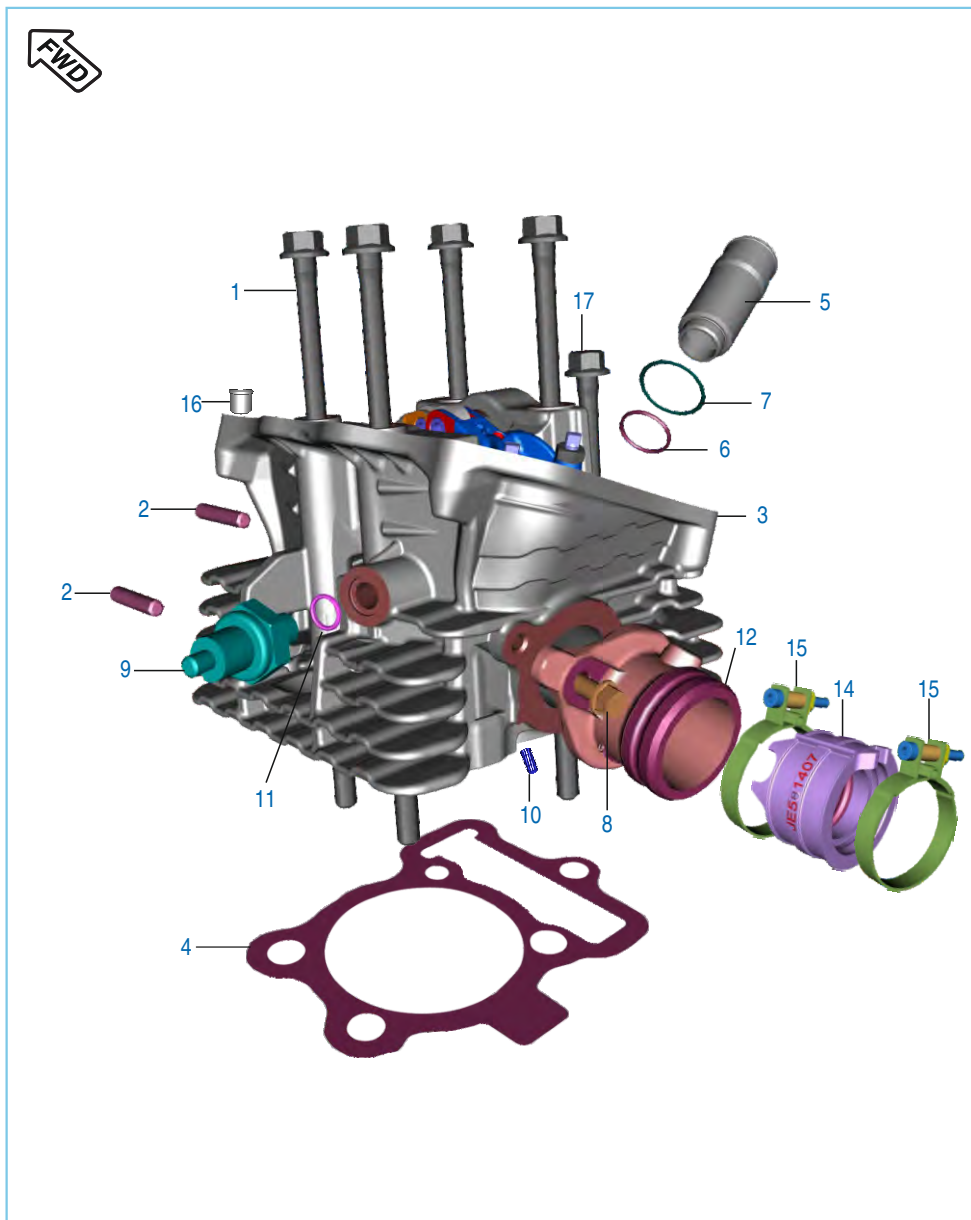
PLATE NO. : 55,56 PAINTED PARTS AND DECALS PULSAR 150 NS		PLATE NO. : 57 PAINTED PARTS AND DECALS PULSAR 150 AS	
			

Cover Cylinder Head



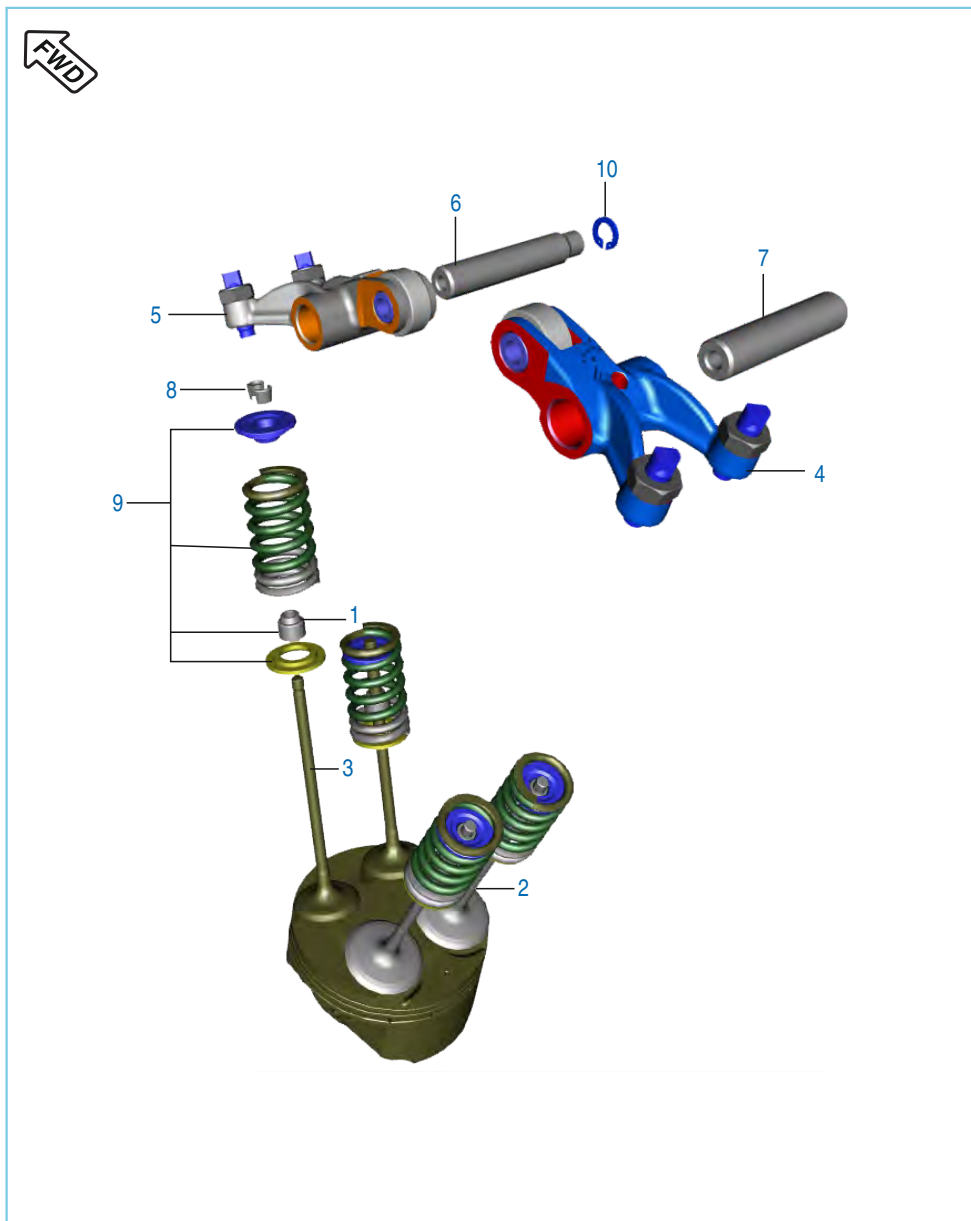
No.	Part No.	Description	Qty.		Remarks
			NS	AS	
1	52 JE00 74	Assly Cover Cylinder Head	1	1	
2	JE 5110 38	Gasket Head Cover	1	1	
3	JE 5110 53	Assly Bolt Head Cover	4	4	

Cylinder Head



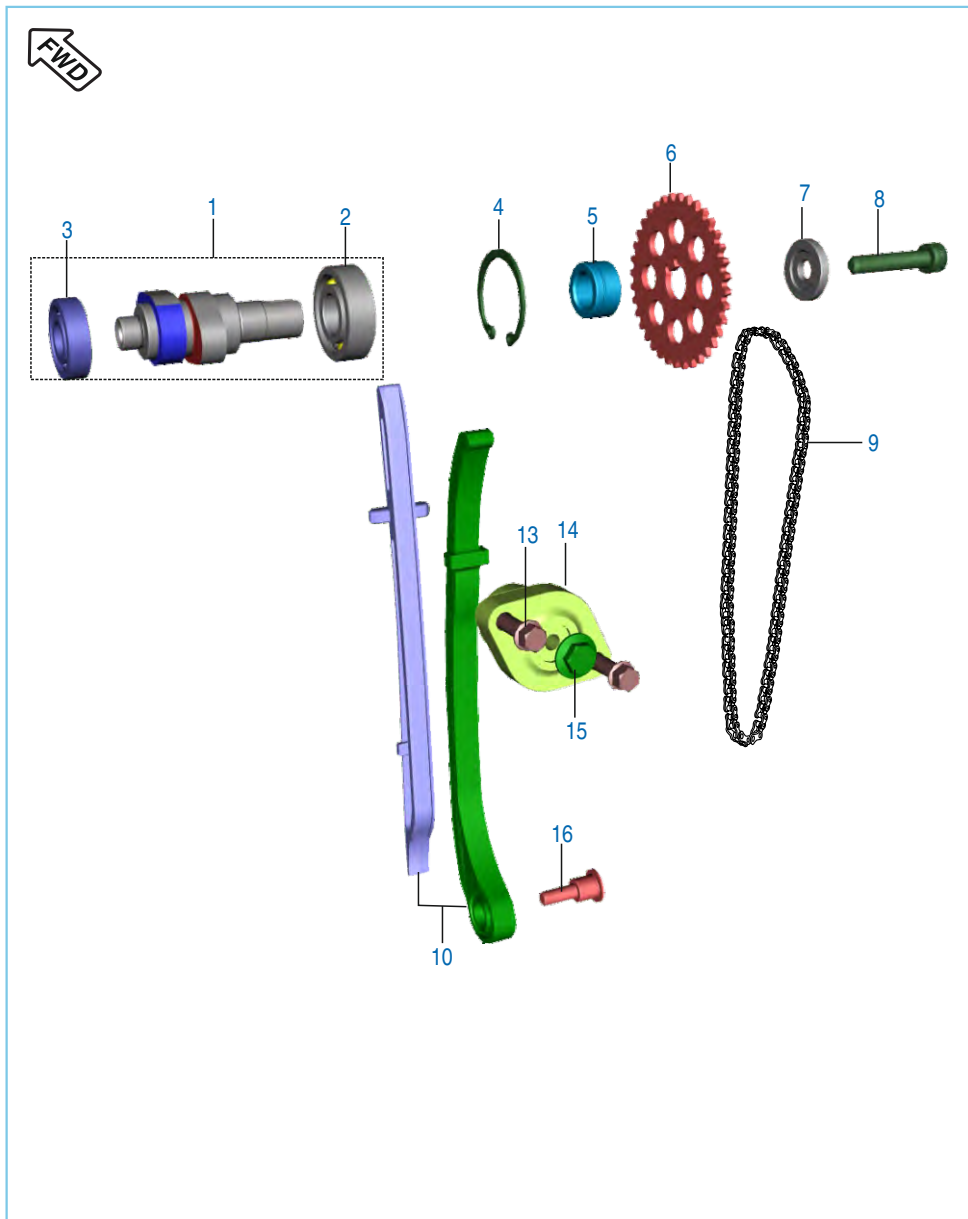
No.	Part No.	Description	Qty.		Remarks
			NS	AS	
1	JE 5110 47	Hex Flange Head Bolt M10	4	4	
2	39 1660 05	M6 Stud Bolt	2	2	
3	JE 5110 24	Cylinder Head	1	1	
4	JZ 5110 16	Gasket Cylinder Head	1	1	
5	JB 5110 18	Sleeve Spark Plug	1	1	
6	39 2629 21	'O' Ring Sleeve	1	1	
7	39 1283 21	'O' Ring Sleeve	1	1	
8	JV 5412 18	Bolt - Flange :- M6	2	2	
9	JE 3514 00	Switch Oil Pressure	1	1	
10	39 2608 01	Grub Screw	1	1	
11	DK 1013 40	O Ring	1	1	
12	JE 5814 06	Manifold Intake	1	1	
13	LJ A000 10	O Ring Manifold	1	1	N.I
14	JE 5814 07	Sleeve Carburetor	1	1	
15	DH 1021 18	Clamp Carburetor Duct	2	2	
	JE 5814 28	Clamp Carburetor Duct	2	-	For Argentina
16	JE 5110 52	Nozzle Head	1	1	
17	59 0400 50	Bolt	1	1	
18	JL 4022 19	Pigtail Oil Pressure Switch	1	1	N.I

Valve



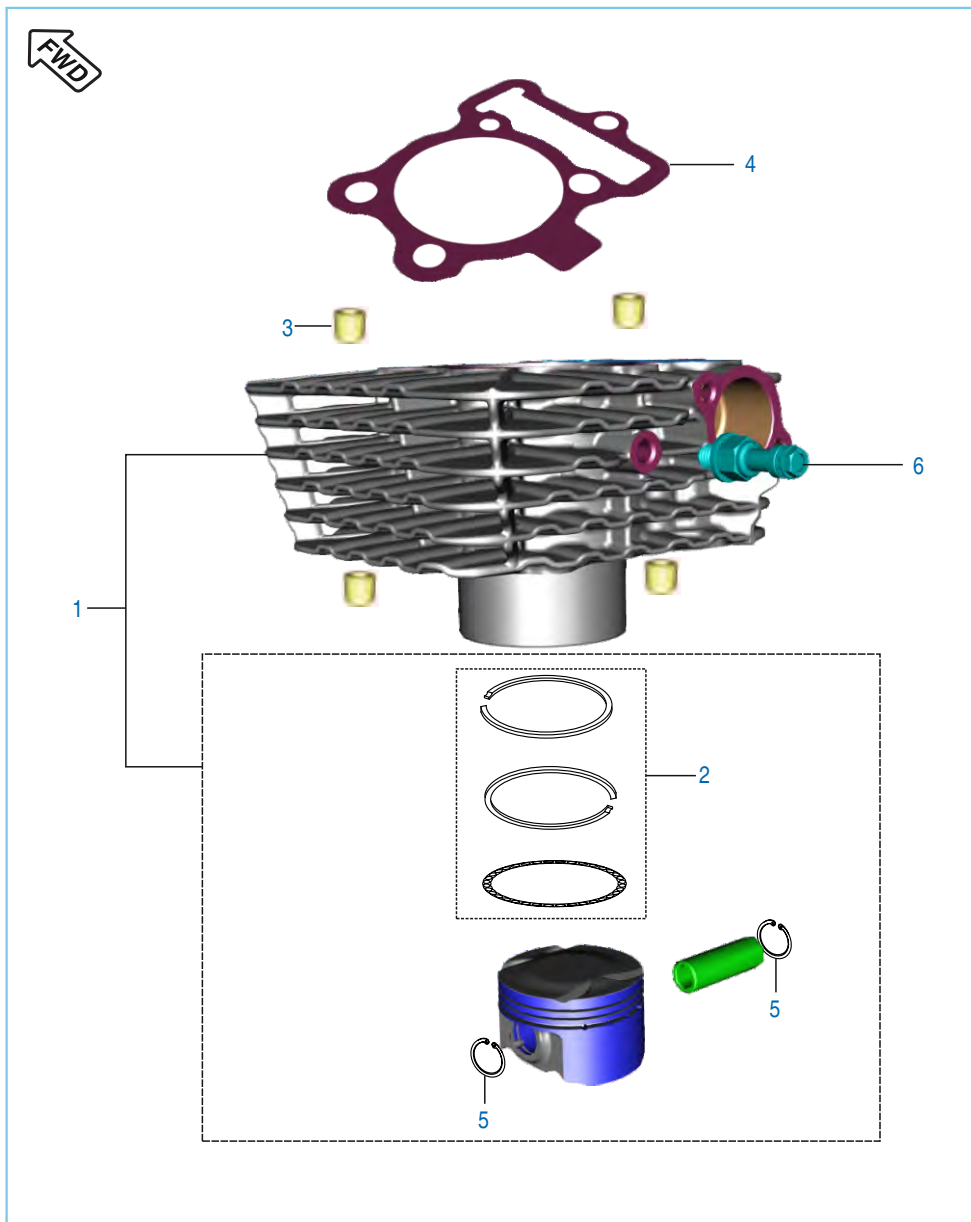
No.	Part No.	Description	Qty.		Remarks
			NS	AS	
1	39 2017 19	Seal - Oil	4	4	
2	JE 5112 08	Valve Intake	2	2	
3	JE 5112 09	Valve Exhaust	2	2	
4	JE 5112 12	Assembly Rocker Arm Intake	1	1	
5	JE 5112 13	Assembly Rocker Arm Exhaust	1	1	
6	JE 5112 25	Shaft Rocker Exhaust	1	1	
7	JE 5112 21	Shaft Rocker	1	1	
8	DG 1010 29	Cotter Valve	8	8	
9	36 Jf00 25	Valve Repair Kit	1	1	
10	JE 5110 60	Circlip	1	1	

Camshaft / Tensioner



No.	Part No.	Description	Qty.		Remarks
			NS	AS	
1	JE 5112 43	Assembly Camshaft	1	1	
2	JG 5312 20	Bearing - Ball 6202/HN3	1	1	
3	AP 1012 36	Bearing - Ball :- 12 X 28 X 8	1	1	
4	39 0594 17	Circlip - Internal	1	1	
5	JE 5112 41	Spacer Camshaft	1	1	
6	JE 5112 34	Sprocket Camshaft	1	1	
7	DH 1010 48	Special Camshaft Washer	1	1	
8	DK 1013 86	Hex Socket Head Cap Bolt	1	1	
9	JE 5112 33	Timing Chain	1	1	
10	36 JF00 05	Kit Chain Guide	1	1	
11	CS 1011 28	Gasket	1	1	N.I
12	39 2669 21	Ring - O (Tensioner Bolt)	1	1	N.I.
13	39 1673 04	Bolt Hexagonal	2	2	
14	JE 5210 16	Chain Tensioner	1	1	
15	DD 1010 62	Bolt Tensioner	1	1	
16	DH 1013 92	Cam Chain Tensioner Pivot Bolt	1	1	

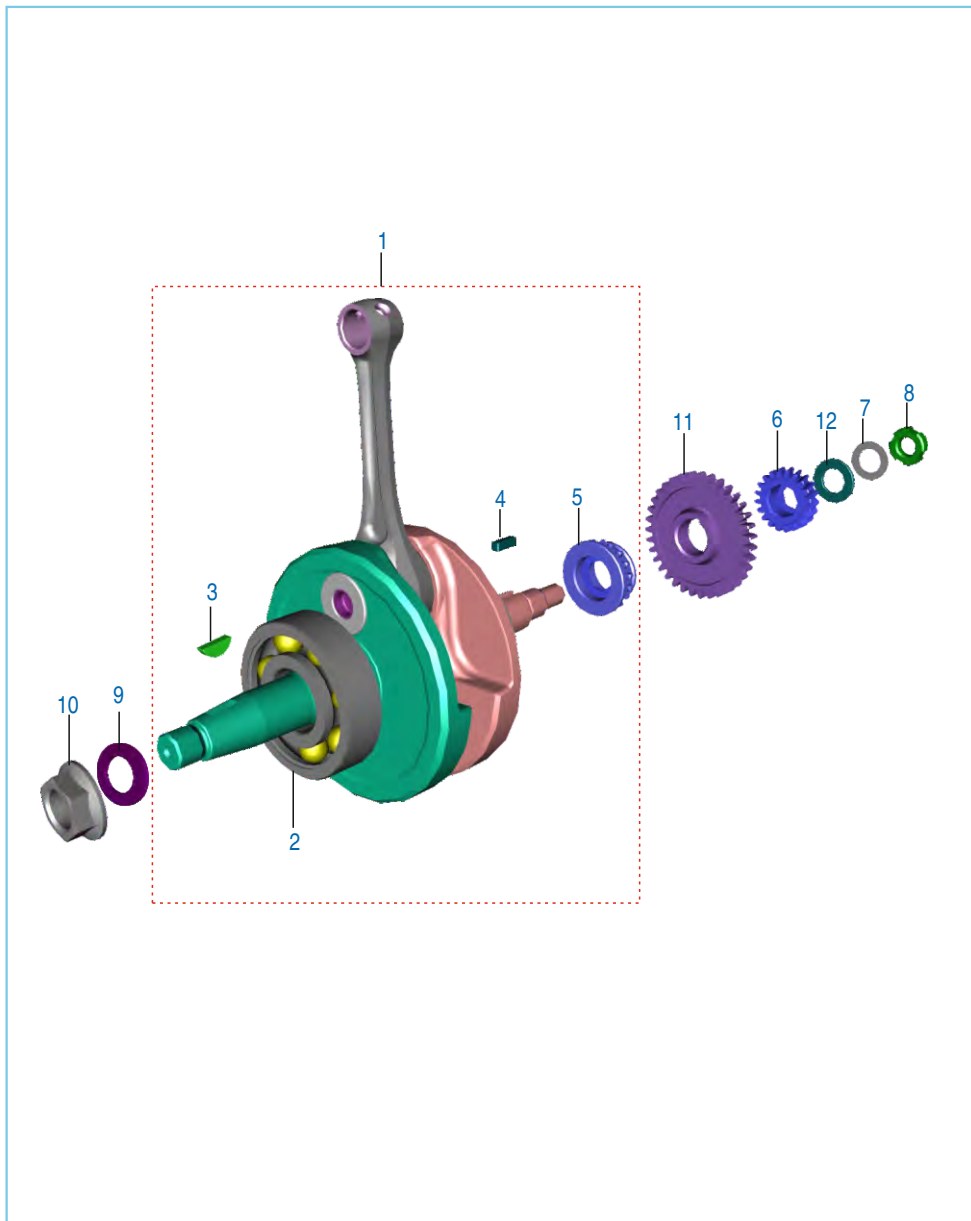
Cylinder and Piston



No.	Part No.	Description	Qty.		Remarks
			NS	AS	
1	36 JF00 02	Kit Asly Block Piston	1	1	
2	36 JF00 26	Kit Piston Ring	1	1	
3	39 1000 06	Pin - Hollow Dowel :- 14 X 20	4	4	
4	JD 5210 02	Gasket Cylinder Block	1	1	
5	DP 1011 65	Ring - Snap	2	2	
6	JW 3514 00	Thermal Sensor	1	1	

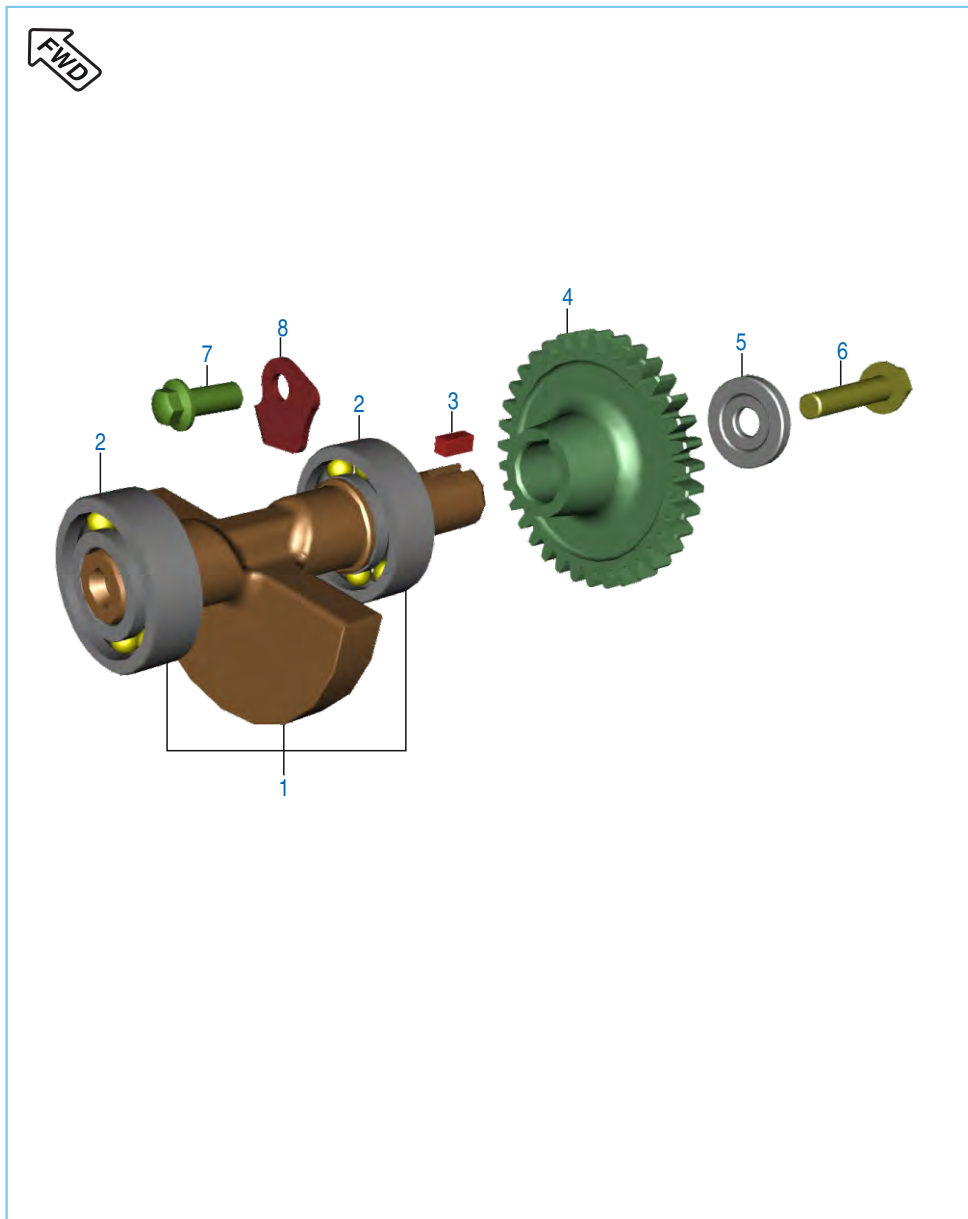


Crankshaft

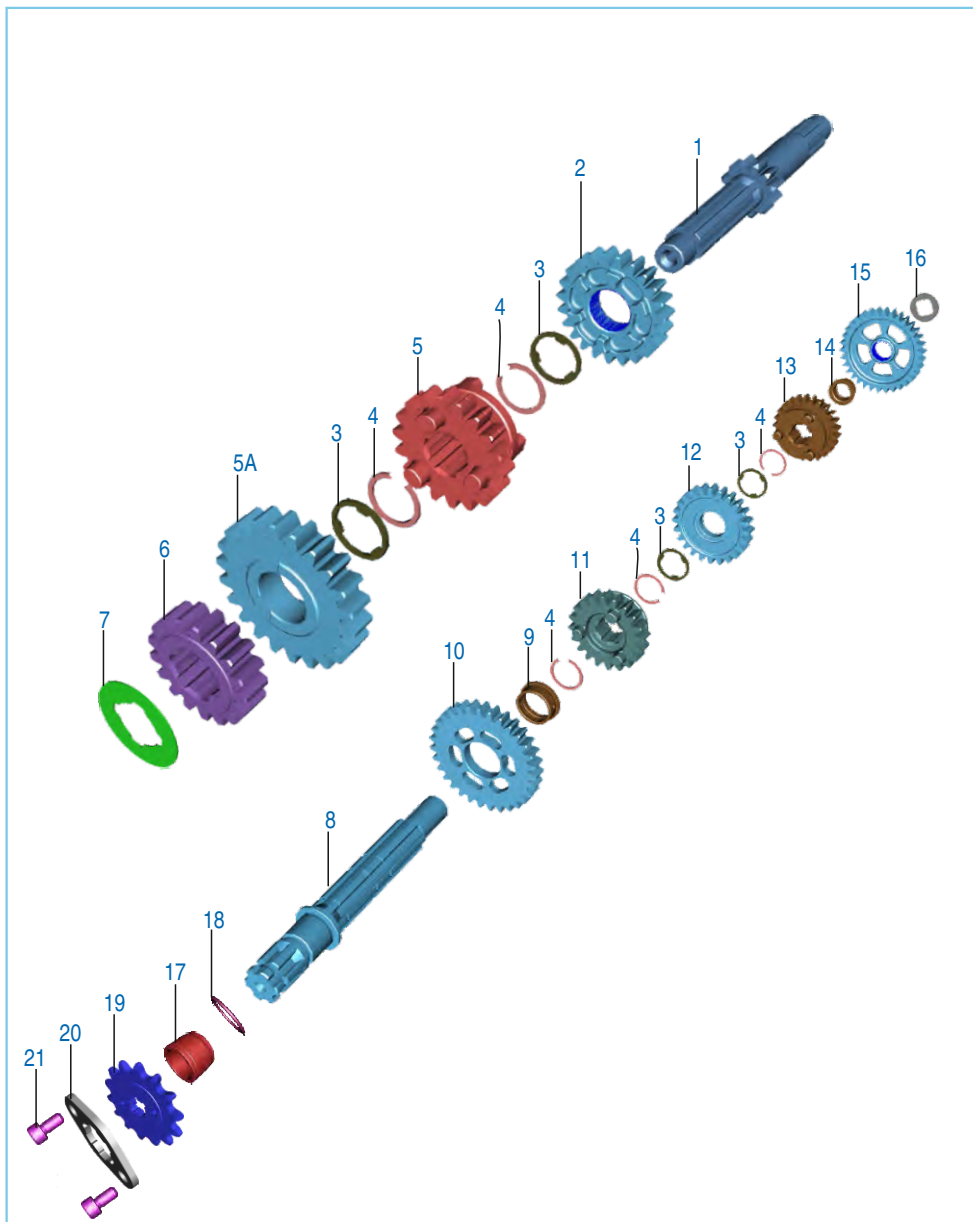


No.	Part No.	Description	Qty.		Remarks
			NS	AS	
1	JE 5310 25	Crankshaft Assembly	1	1	
2	39 2561 20	Bearing Ball	2	2	
3	31 1011 73	Key Wood Ruff	1	1	
4	KF Ba04 12	Key Sunk	1	1	
5	JE 5310 33	Sprocket Crank Shaft	1	1	
6	JZ 5310 06	Gear Primary Driven	1	1	
7	39 2200 11	Washer Primary Drive Gear	1	1	
8	DH 1011 95	Nut Primary Drive Lock	1	1	
9	59 1200 03	Washer	1	1	
10	59 1500 14	Nut Flange	1	1	
11	JE 5512 13	Balancer Gear	1	1	
12	59 1100 08	Plain Washer	1	1	

Balancer Assly



No.	Part No.	Description	Qty.		Remarks
			NS	AS	
1	JE 5312 01	Assly Balancer	1	1	
2	JG 5312 20	Bearing Ball	1	1	
3	DS 1011 54	Key	1	1	
4	JE 5512 14	Balancer Driven Gear	1	1	
5	DH 1010 48	Special Camshaft Washer	1	1	
6	KA DD08 40	Bolt Flanged	1	1	
7	LA E000 15	Bolt Falnged	1	1	
8	JA 5410 10	Stopper Plate Input Bearing	1	1	

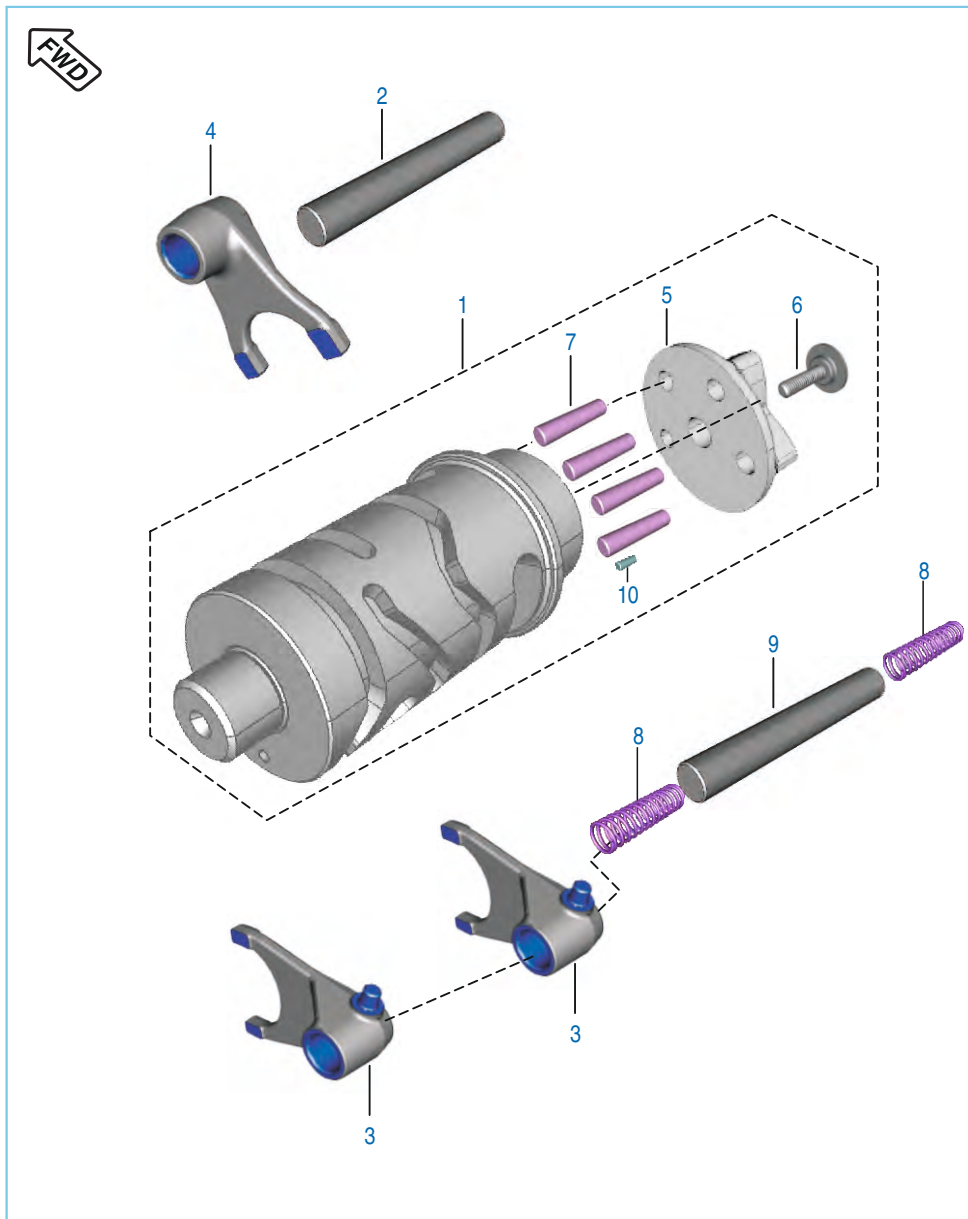


## Plate No.: 8

### Transmission

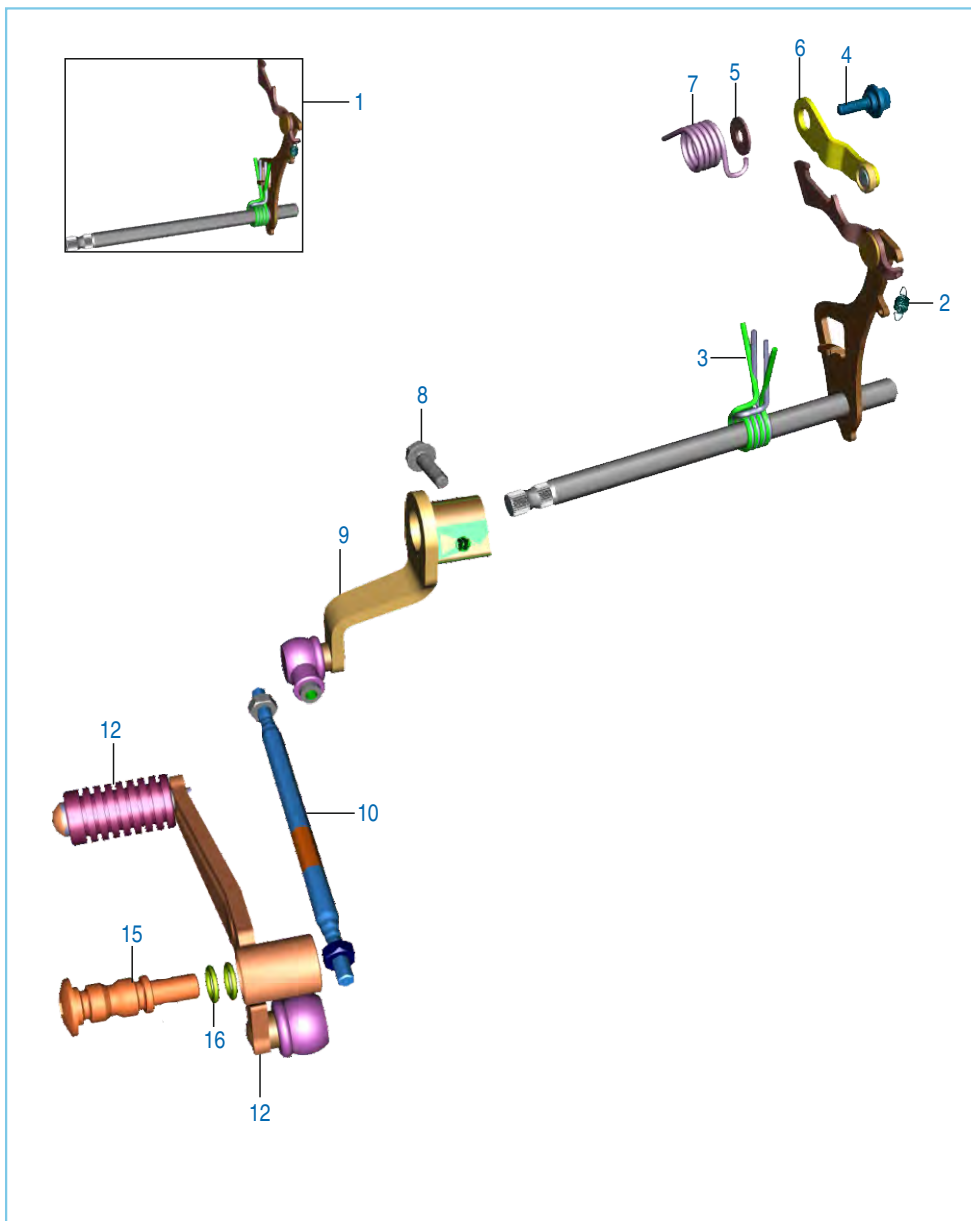
No.	Part No.	Description	Qty.		Remarks
			NS	AS	
1	JE 5510 01	Shaft Input	1	1	
2	JE 5512 02	Gear 4th Drive	1	1	
3	JA 5510 02	Spline Washer	4	4	
4	39 0987 17	Ring - Snap	5	5	
5	JE 5512 01	Gear 3rd Drive	1	1	
5A	JE 5512 03	Gear 5th Drive	1	1	
6	JE 5512 00	Gear 2nd Drive	1	1	
7	JA 5510 04	Washer Thrust 2nd Drive	1	1	
8	JE 5510 07	Shaft Output	1	1	
9	JZ 5512 10	Bush Gear 2nd Driven	1	1	
10	JE 5512 05	Gear 2nd Driven	1	1	
11	JE 5512 08	Gear 5th Driven	1	1	
12	JE 5512 06	Gear 3rd Driven	1	1	
13	JE 5512 16	Gear 4th Driven	1	1	
14	JE 5512 12	Bush 1st Driven	1	1	
15	JE 5512 15	Gear 1st Driven	1	1	
16	JE 5512 11	Washer Thrust	1	1	
17	JA 5510 09	Collar Sprocket Drive	1	1	
18	59 2100 24	'O' Ring	1	1	
19	JV 5510 00	Sprocket Output	1	1	
20	DU 1012 13	Plate Lock-sprocket output	1	1	
21	LA C000 69	Bolt Flanged	1	1	

Change Drum / Shift Fork



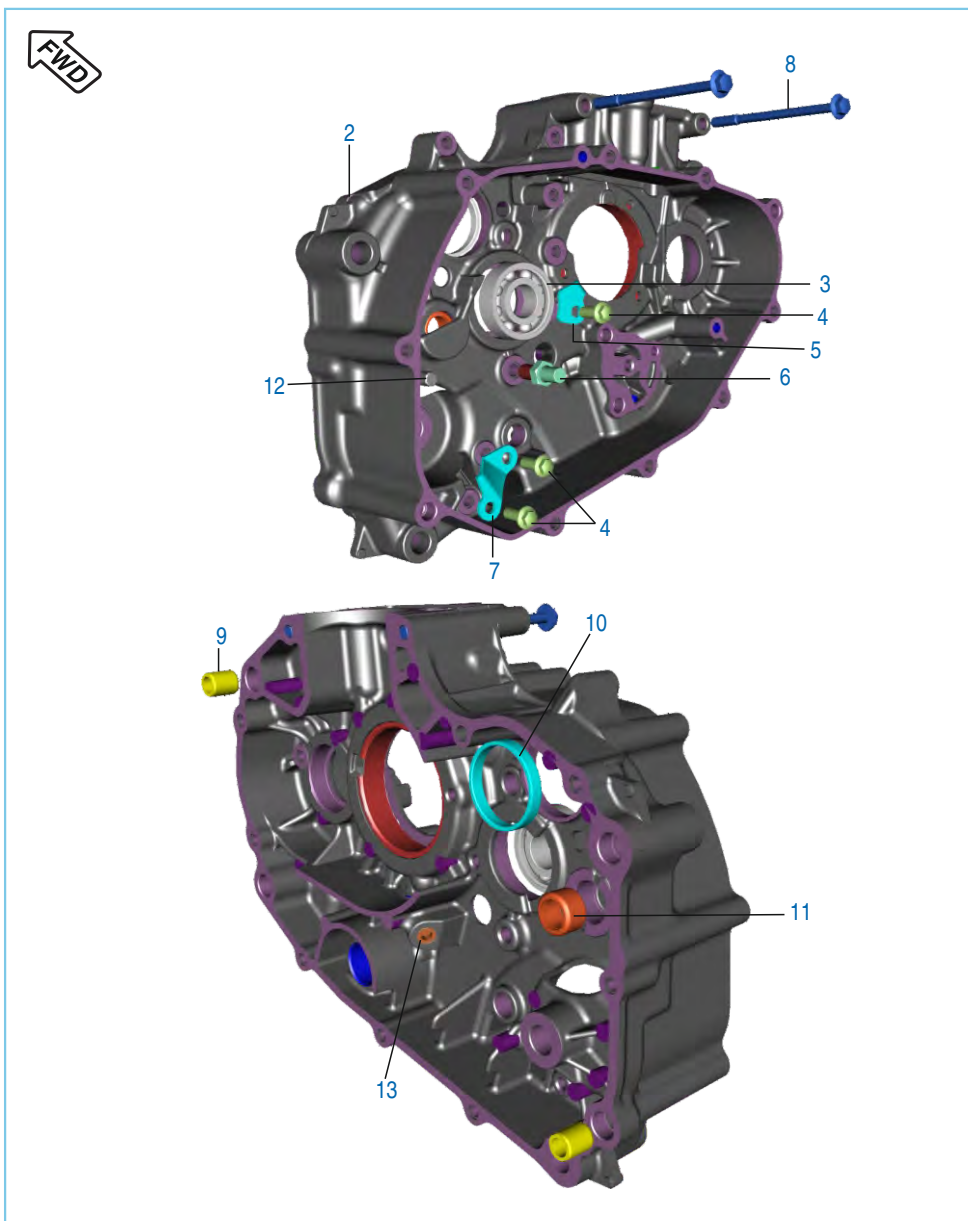
No.	Part No.	Description	Qty.		Remarks
			NS	AS	
1	JE 5610 06	Drum Comp Gear Shift	1	1	
2	JD 5610 06	Shaft Gear Fork Shift	1	1	
3	JD 5610 04	Fork Gear Shift Output	2	2	
4	JZ 5610 02	Fork Input Disco-H	1	1	
5	JE 5610 05	Cam Drum Change	1	1	
6	JD 5610 11	Special bolt	1	1	
7	39 0992 06	Dowel	4	4	
8	JY 5410 39	Spring	2	2	
9	JE 5610 04	Shaft Output	1	1	
10	JD 5610 09	Pin Drum Change	1	1	

Gear Change Mechanism



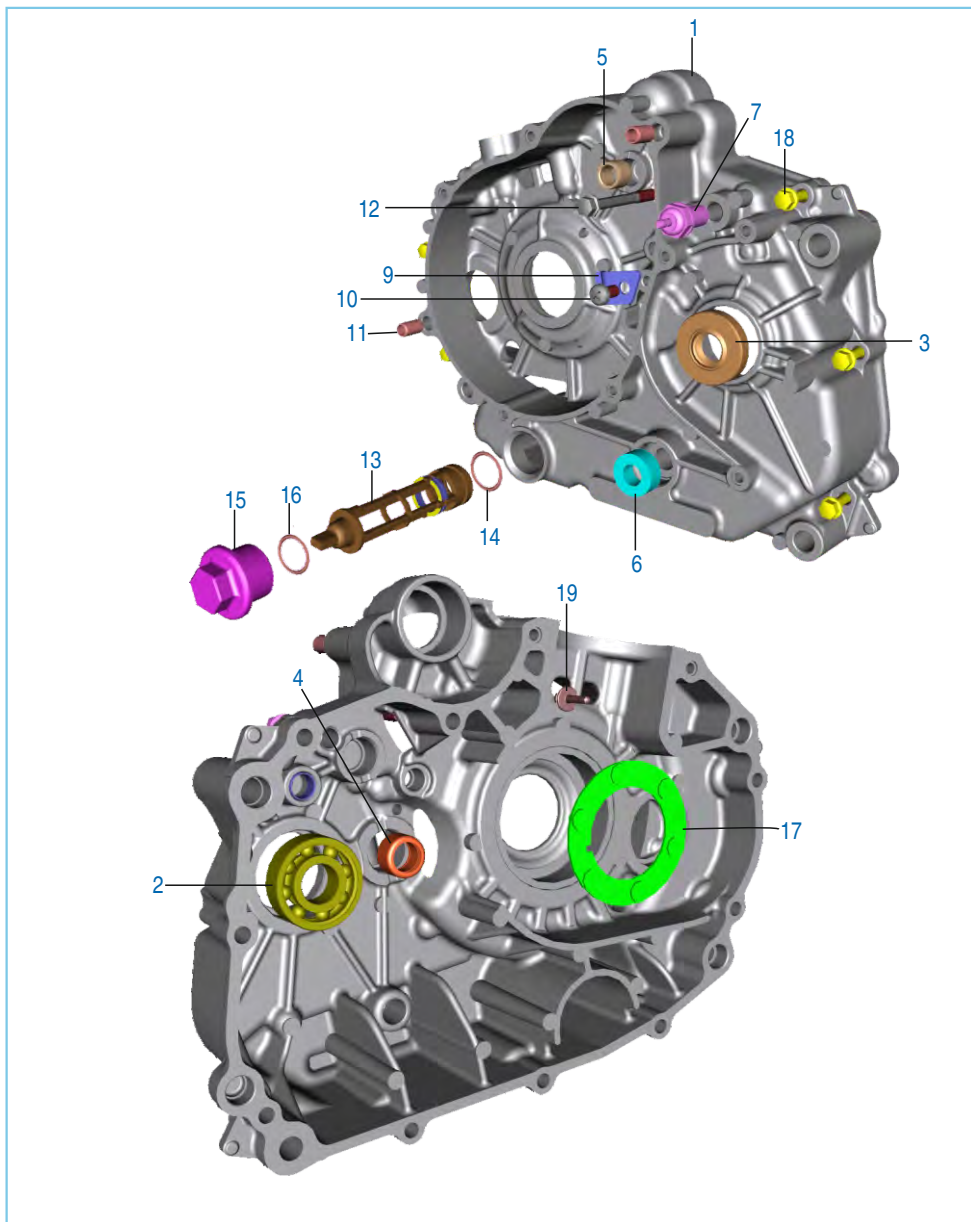
No.	Part No.	Description	Qty.		Remarks
			NS	AS	
1	52 JZ02 64	Assembly Lever Complete Change	1	1	
2	JW 5612 06	Extension Spring	1	1	
3	JE 5612 00	Spring Gear Shift Return	1	1	
4	BF 5612 19	Bolt Detent Lever	1	1	
5	LD B000 44	Washer ( Spring Steel )	1	1	
6	PA 5612 09	Inhibitor Comp Gear Shift	1	1	
7	JD 5612 04	Spring (Inhibitor)	1	1	
8	39 1902 04	Bolt Flanged M6	1	1	
9	JF 5614 15	Arm Change Ball Joint Assly	1	1	
	JF 5612 04	Arm Change Ball Joint Assly	1	1	From Nov 15
10	JF 5614 18	Rod Tie	1	1	
	52 JF00 89	Rod Tie	1	1	From Nov 15
11	39 0808 08	Pin Snap	2	2	N.I
12	JF 5614 16	Assly Lever Compl Change	1	1	
	JF 5612 05	Lever Assly Gear Shift Comp	1	1	From Nov 15
13	JD 5614 16	Washer Nylon	2	2	N.I
14	DH 1015 09	Damper	1	1	
15	JL 5614 09	Bolt Gear Change Lever	1	1	
16	01 1009 05	'O' Ring	2	2	

Engine Assembly / Crankcase RH



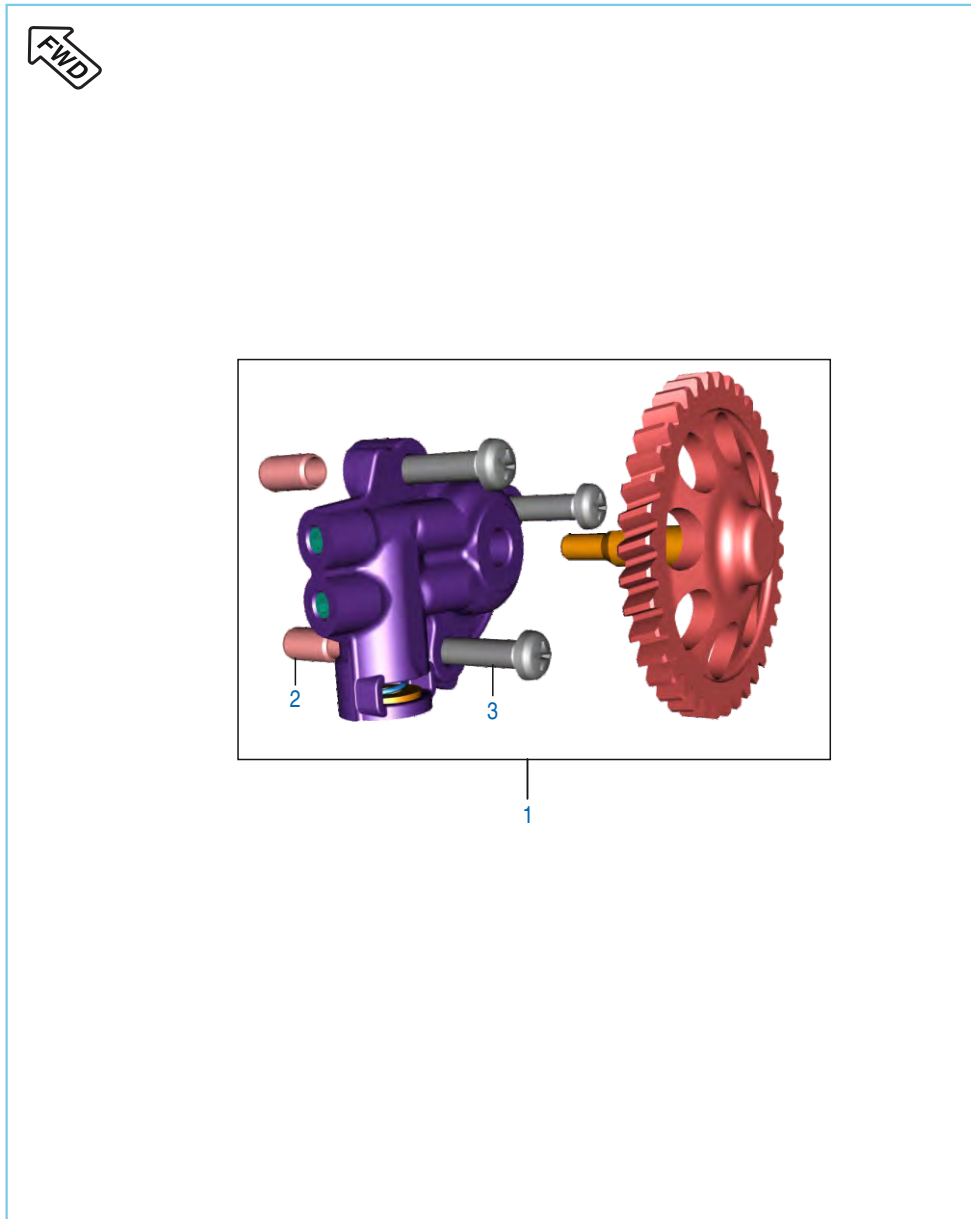
No.	Part No.	Description	Qty.		Remarks
			NS	AS	
1	JE 5010 10	Assembly Engine K11	1	1	N.I.
2	36 JF00 29	Assly Crankcase RH	1	1	
3	59 2000 36	Bearing 28 X 68 X 18	1	1	
4	LA E000 15	Bolt Flange	3	3	
5	JA 5410 10	Stopper Plate input bearing	1	1	
6	52 JA00 29	Bolt Shift Change	1	1	
7	JA 5410 12	Kick Guide	1	1	
8	LA E000 25	Bolt	2	2	
9	BA 1321 22	Dowel Pin	2	2	
10	PF 5410 18	Bushing Drum	1	1	
11	39 2562 20	Needle Roller Bearing	1	1	
12	JE 5410 28	Pin	1	1	
13	BA 1020 04	Plug	1	1	

Crankcase LH



No.	Part No.	Description	Qty.		Remarks
			NS	AS	
1	36 Jf00 27	Kit Assly. Crankcase LH	1	1	
2	59 2000 36	Ball Bearing	1	1	
3	39 1715 19	Seal - Oil	1	1	
4	39 2562 20	Bearing - Needle Roller	1	1	
5	JA 5410 05	Bush Bendix	1	1	
6	39 2190 19	Seal - Oil	1	1	
7	31 2010 81	Switch - Neutral	1	1	
8	DH 1017 84	Neutral Switch AL Washer	1	1	N.I
9	JE 6214 05	Stopper Gear Starter-	1	1	
10	DH 1013 80	Screw Pan Head- M6	1	1	
11	39 0999 06	Pin - Hollow Dowel	2	2	
12	LA E000 24	Bolt - M6 X 55	1	1	
13	JG 5710 24	Mesh Oil Filter Assy_G2	1	1	With 'O' ring
14	LJ A000 04	'O' ring-Strainer	1	1	
15	JA 5410 21	Cap Strainer	1	1	
16	59 2100 23	'O' ring Cap Strainer	1	1	
17	JE 5410 48	Damper	1	1	
18	59 0400 38	Bolt Flange	8	8	
19	JZ 5410 05	Nozzle Oil Jet	1	1	

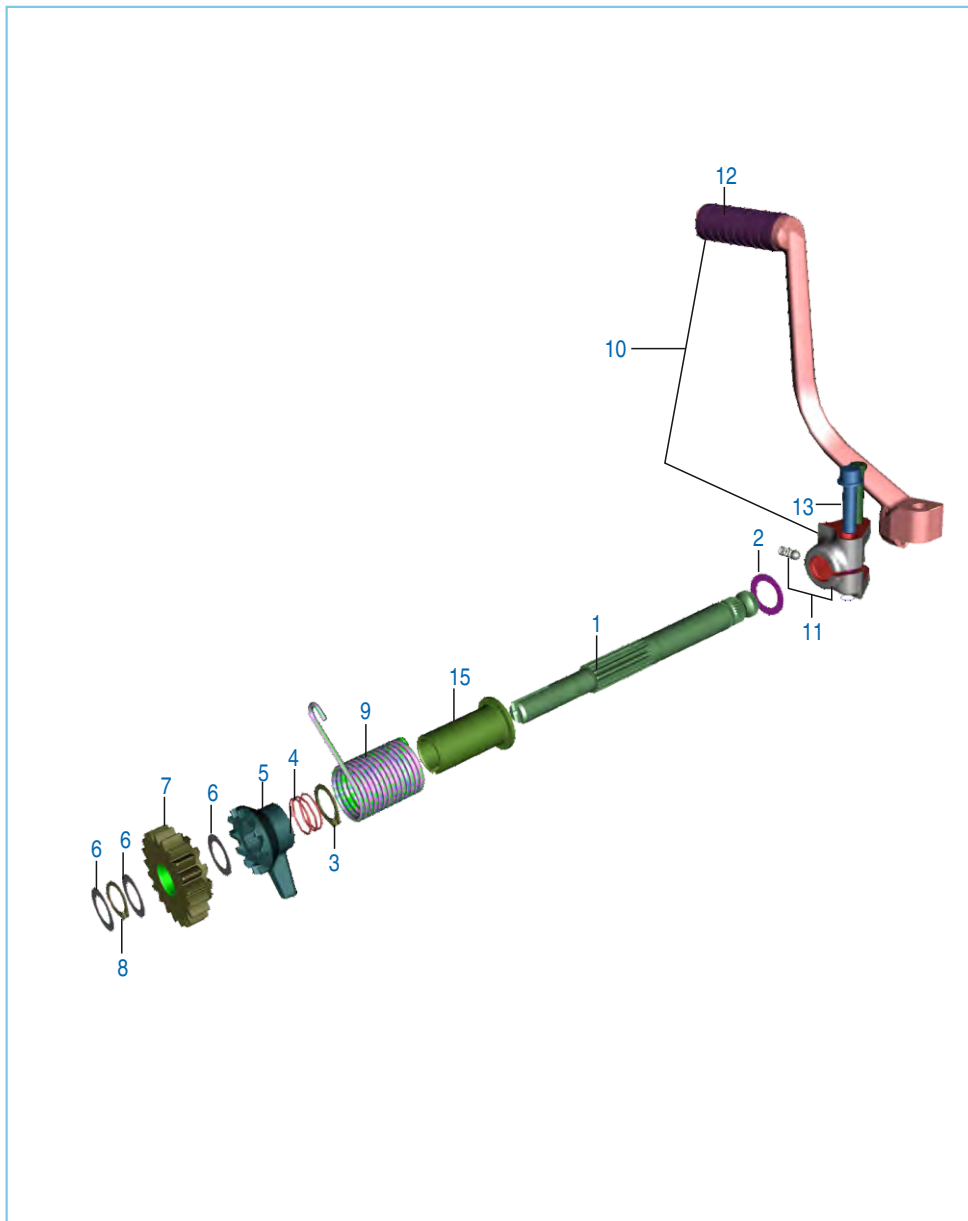
Oil Pump



No.	Part No.	Description	Qty.		Remarks
			NS	AS	
1	JE 5710 03	Oil Pump Assy Comp	1	1	
2	39 0999 06	Pin - Hollow Dowel	2	2	Not part of Assly
3	FD 1010 78	Pan Head Screw	3	3	Not part of Assly

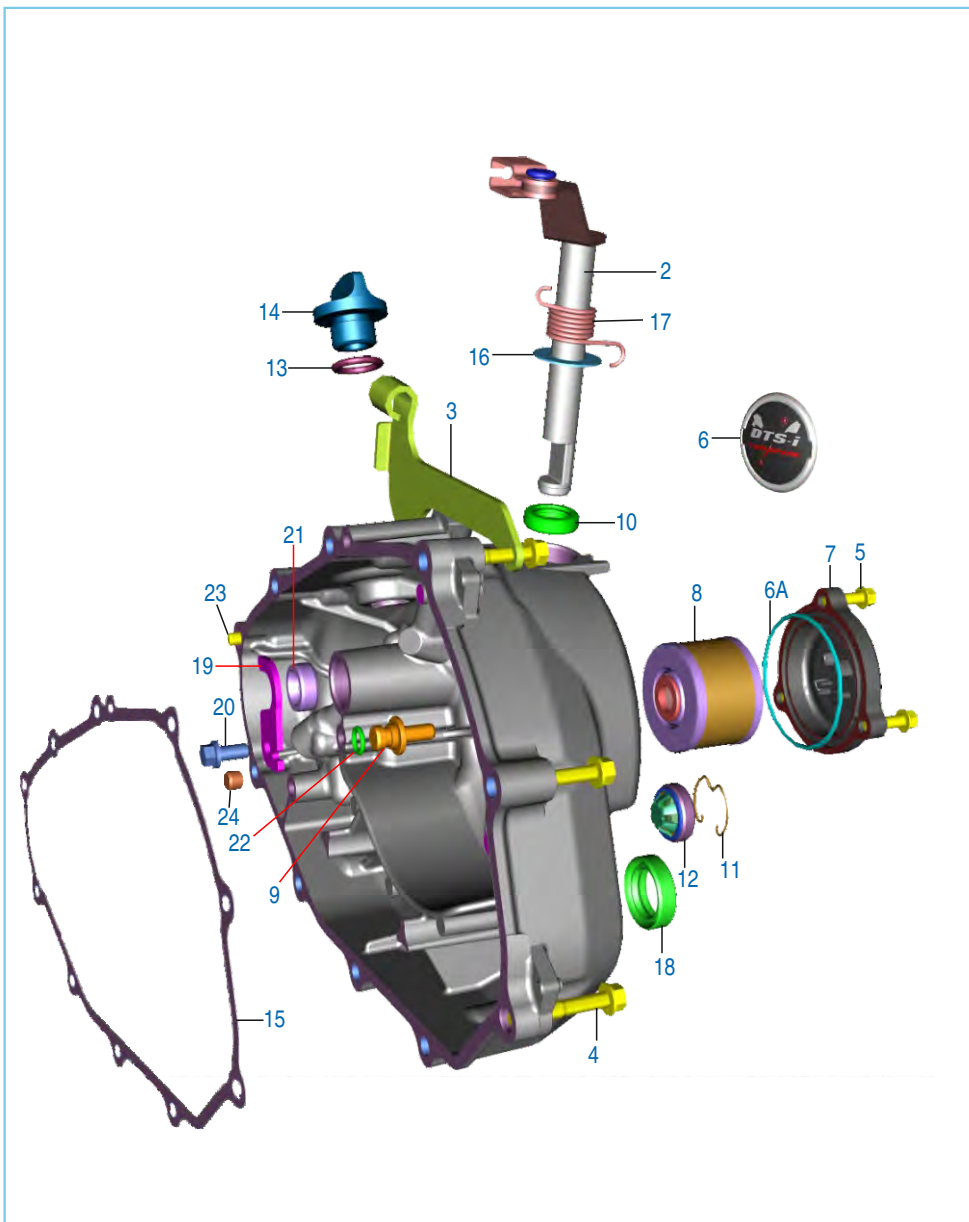


Kick Assembly



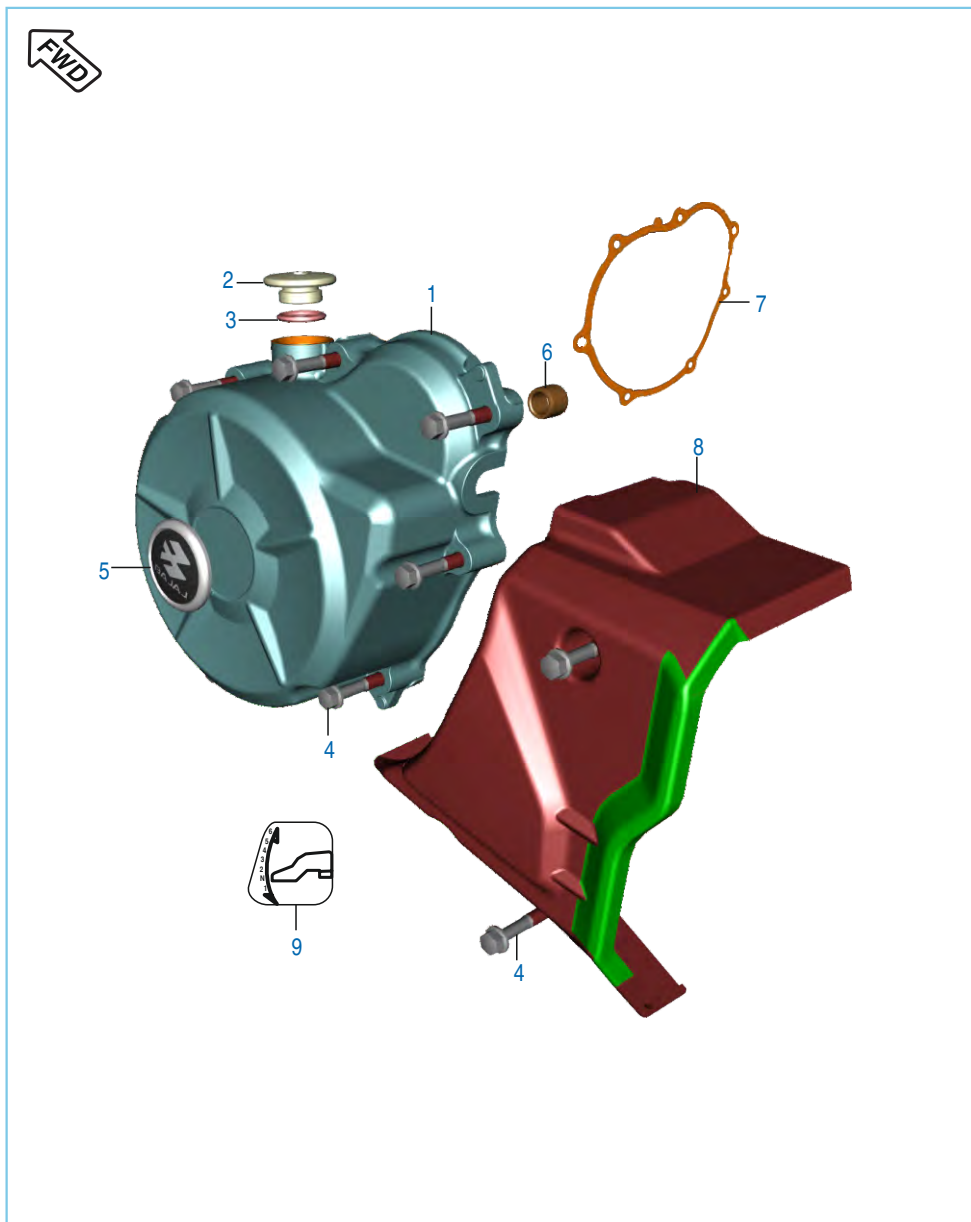
No.	Part No.	Description	Qty.		Remarks
			NS	AS	
1	JE 6210 02	Kick Shaft	1	1	
2	JA 6210 06	Washer Thrust	1	1	
3	39 0738 17	Circlip	1	1	
4	DS 1011 17	Spring Kick Starter Ratchet	1	1	
5	JA 6210 02	Ratchet	1	1	
6	39 0993 11	Washer Plain	3	3	
7	JZ 6210 00	Assly Gear Starter Pinion	1	1	
8	39 2408 17	External Circlip	1	1	
9	JE 6210 03	Spring Kick Return	1	1	
10	JE 6212 03	Assembly Kick Lever	1	1	
11	36 JF00 07	Kit Boss Kick Lever	1	1	
12	DD 1010 97	Damper	1	1	
13	JA 6212 06	Bolt	1	1	
14	22 1502 41	Plain Washer	1	1	N.I
15	JE 6210 04	Sleeve	1	1	

Cover Clutch



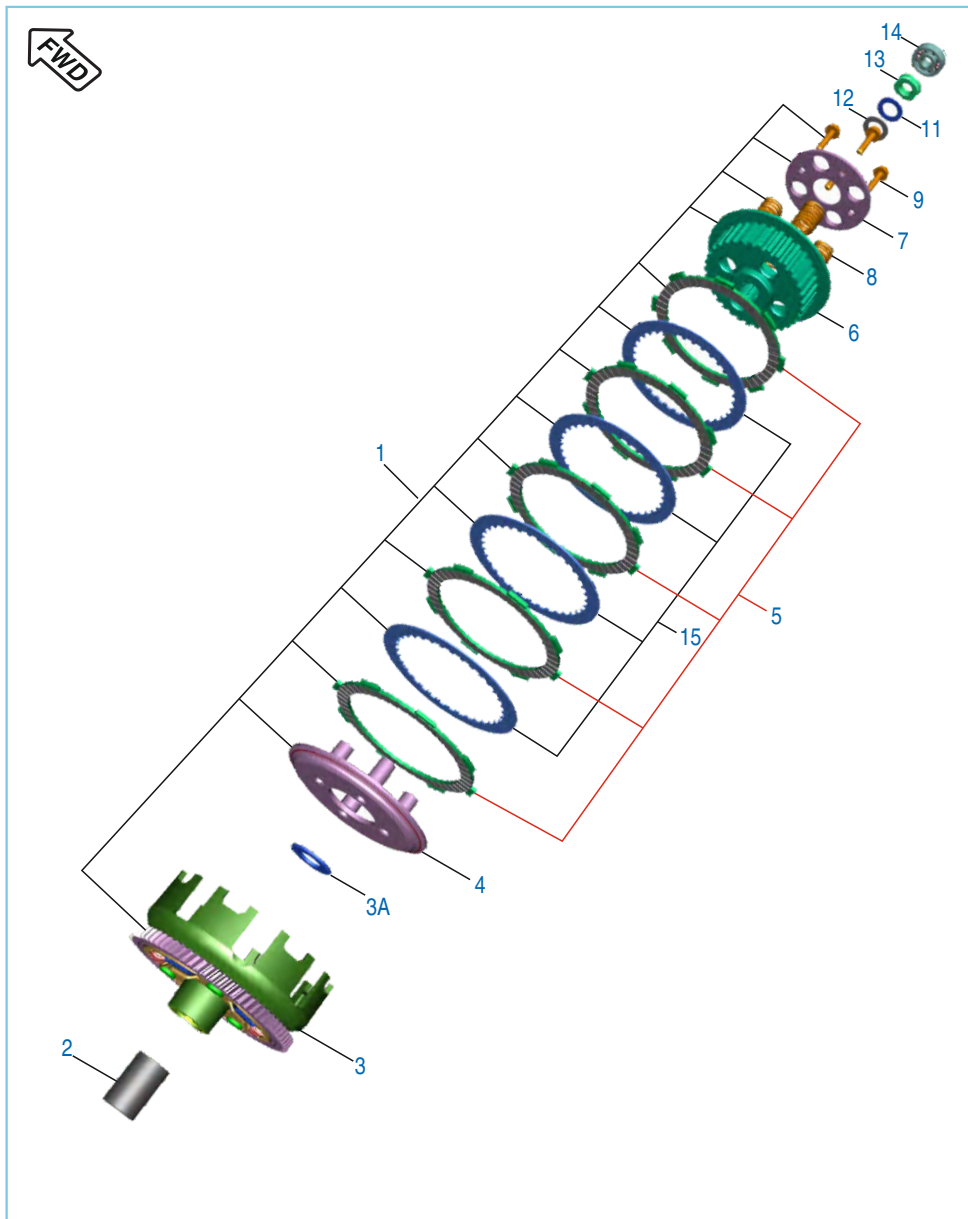
No.	Part No.	Description	Qty.		Remarks
			NS	AS	
1	36 JF00 04	Kit Assly Clutch Cover	1	1	Refer Page No. 115
2	JV 5412 08	Shaft Clutch Release Assly	1	1	
3	JE 5412 44	Bracket Clutch Cable	1	1	
4	59 0400 38	Bolt - Flange	10	10	
5	39 1673 04	Bolt	3	3	
6	JE 5412 67	Decal Clutch Cover	1	1	
6A	39 1671 21	Ring - 'O'	1	1	
7	JE 5412 34	Cap Filter	1	1	
8	JE 5710 07	Element Oil Filter	1	1	
9	JE 5514 08	Rod-Push	1	1	
10	39 1041 19	Seal - Oil	1	1	
11	DS 1012 15	Clip - Wire	1	1	
12	JL 5412 27	Gauge	1	1	
13	JA 5412 25	O Ring Cap Oil Filler	1	1	
14	JA 5412 11	Cap Oil Filler	1	1	
15	JE 5412 41	Gasket Clutch Cover	1	1	
16	39 2443 11	Plain Washer	1	1	
17	JE 5412 14	Spring Torsion Cl. Cover	1	1	
18	30 1011 42	Seal - Oil (Kick Shaft)	1	1	
19	JE 5412 49	Position Plate	1	1	
20	AA 1014 37	Bolt-Position Plate	1	1	
21	JE 5412 42	Seal Oil Crankshaft	1	1	
22	39 1561 21	O-Ring-Push Rod	1	1	
23	39 0999 06	Dowel pin	2	2	
24	BA 1020 04	Plug	1	1	

Cover Magneto



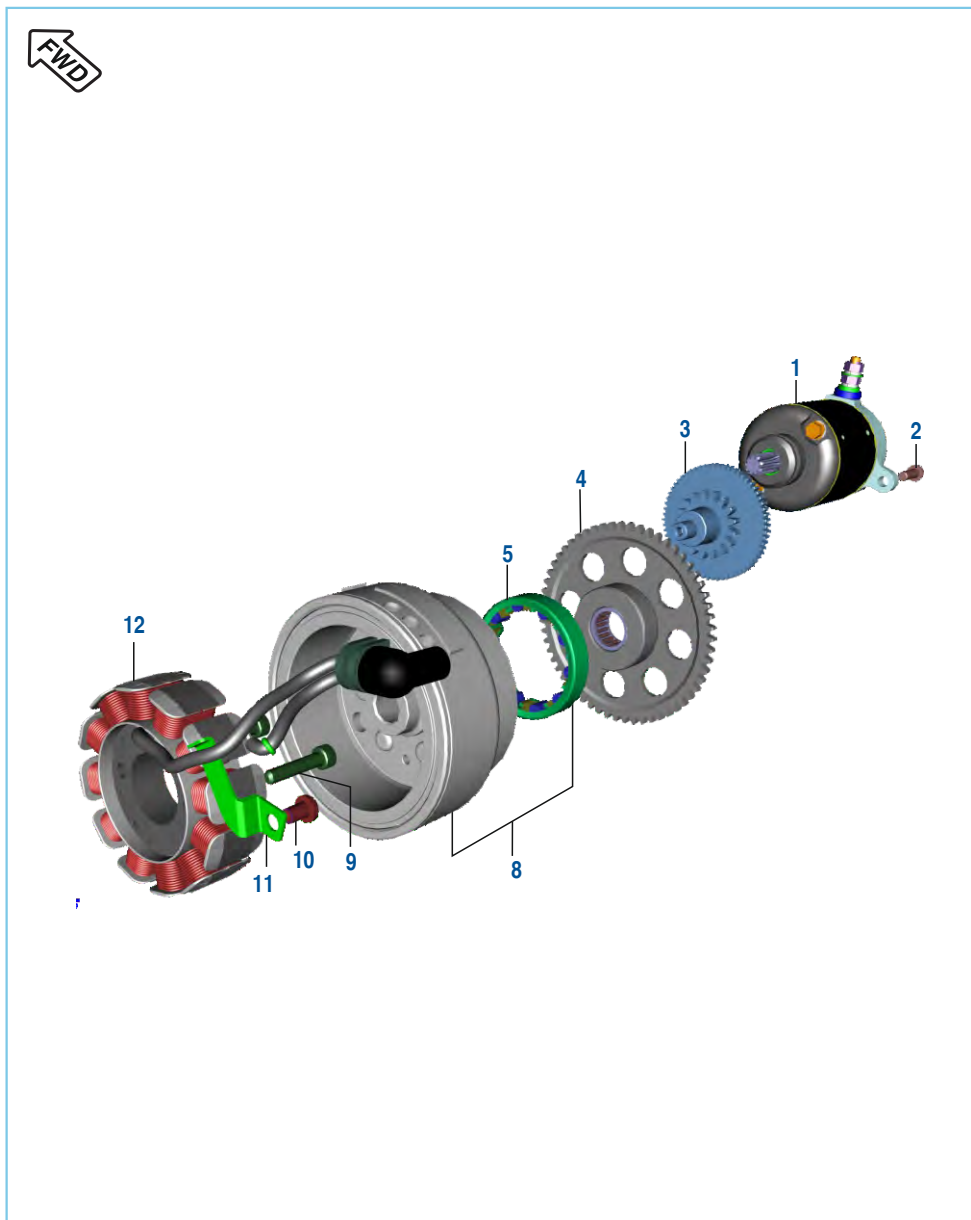
No.	Part No.	Description	Qty.		Remarks
			NS	AS	
1	36 Jf00 03	Kit Cover Magneto	1	1	
2	JA 5412 33	Cap TDC Finder	1	1	
3	30 1011 95	Ring - O	1	1	
4	59 0400 38	Bolt - Flanged : Small `	9	9	
5	JL 5412 23	Label Mag Cover	1	1	
6	JA 5410 05	Bush Bendix	1	1	
7	JE 5412 40	Gasket Magneto Cover	1	1	
8	JE 5412 28	Cover RR assly	1	1	With Gear Shift Label
10	DJ 1612 28	Gear Shift Label	1	1	

Clutch Assly



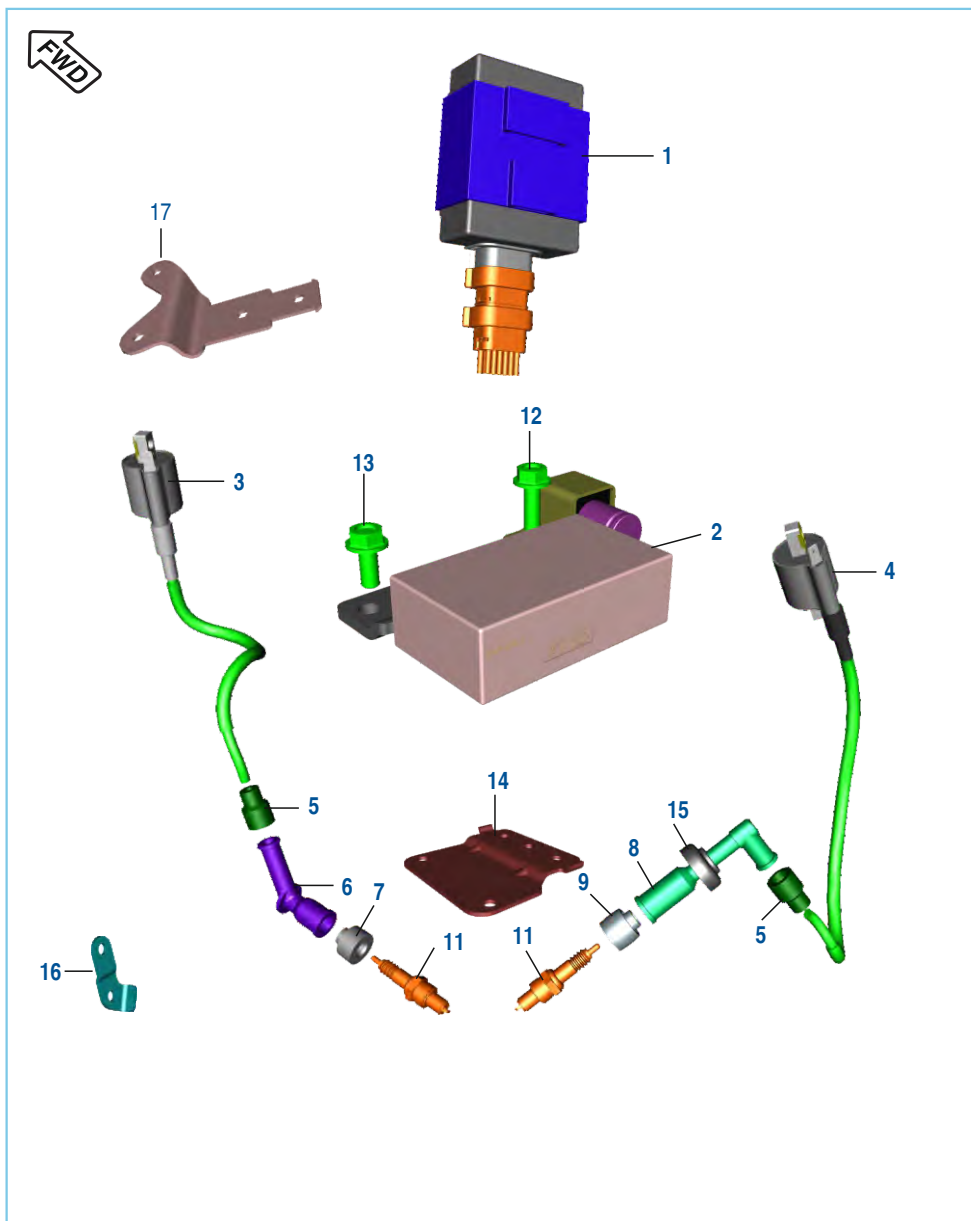
No.	Part No.	Description	Qty.		Remarks
			NS	AS	
1	JE 5514 11	Assembly Clutch	1	1	
2	JA 5514 06	Collar Clutch	1	1	
3	36 JZ00 14	Kit Primary Drive & Driven	1	1	Refer Page No.117
3A	JG 5514 28	Washer - Clutch	1	1	
4	JE 5514 14	Plate Clutch Pressure	1	1	
5	36 JZ01 21	Kit Friction Plate	1	1	Refer Page No. 105
6	JE 5514 13	Clutch Center	1	1	
7	JE 5514 15	Plate Clutch Lifter	1	1	
8	JZ 5514 12	Compression Spring	4	4	
9	39 1553 04	Bolt Upset	4	4	
10	JD 5514 00	Spacer Clutch Assembly	1	1	N.I
11	39 2200 11	Washer Plain	1	1	
12	39 0240 11	Washer Plain	1	1	
13	DH 1016 48	Nut Crankshaft M14	1	1	
14	14 1510 33	Bearing - Ball	1	1	
15	JG 5514 47	plate Clutch	4	4	

Starter Assembly



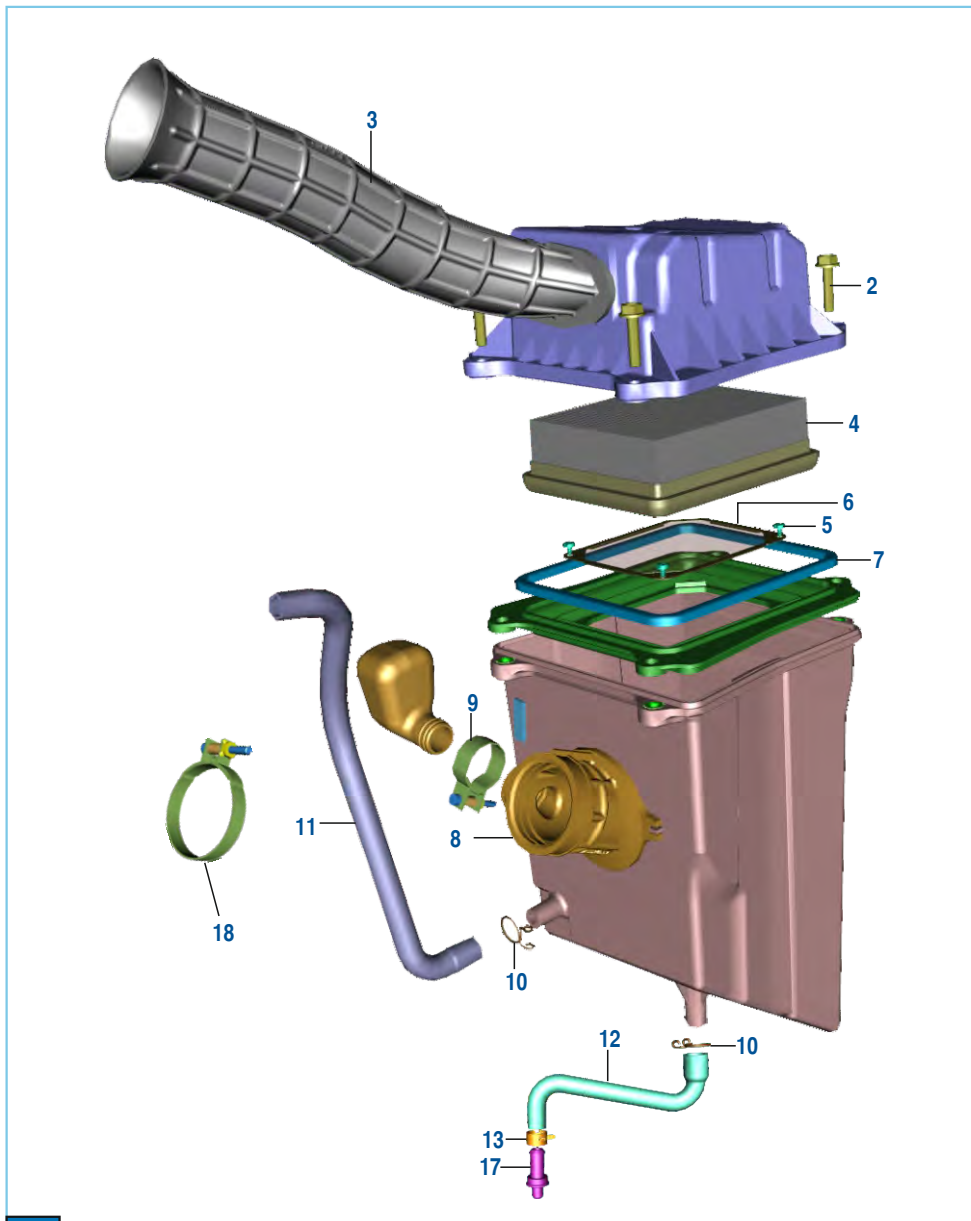
No.	Part No.	Description	Qty.		Remarks
			NS	AS	
1	JE 3516 00	Starter motor Assly	1	1	
2	39 1673 04	Bolt Flange St Motor Mtg	2	2	
3	JE 6214 02	Drive Assly.	1	1	
4	JE 6214 04	Gear Starter Clutch	1	1	
5	GL 6214 14	One Way Clutch	1	1	
6	36 JZ01 32	Kit Starter Clutch Repair	1	1	N.I.
7	DH 1013 80	Screw Pan Cross	2	2	N.I.
8	JE 3510 18	Assly Rotor	1	1	
9	LA C000 52	Bolt Socket	2	2	
10	KB AB06 08	Screw Pan	1	1	
11	JE 5412 43	Bracket Harness	1	1	
12	JE 3510 09	Stator assly- DC	1	1	

CDI & H T Coil



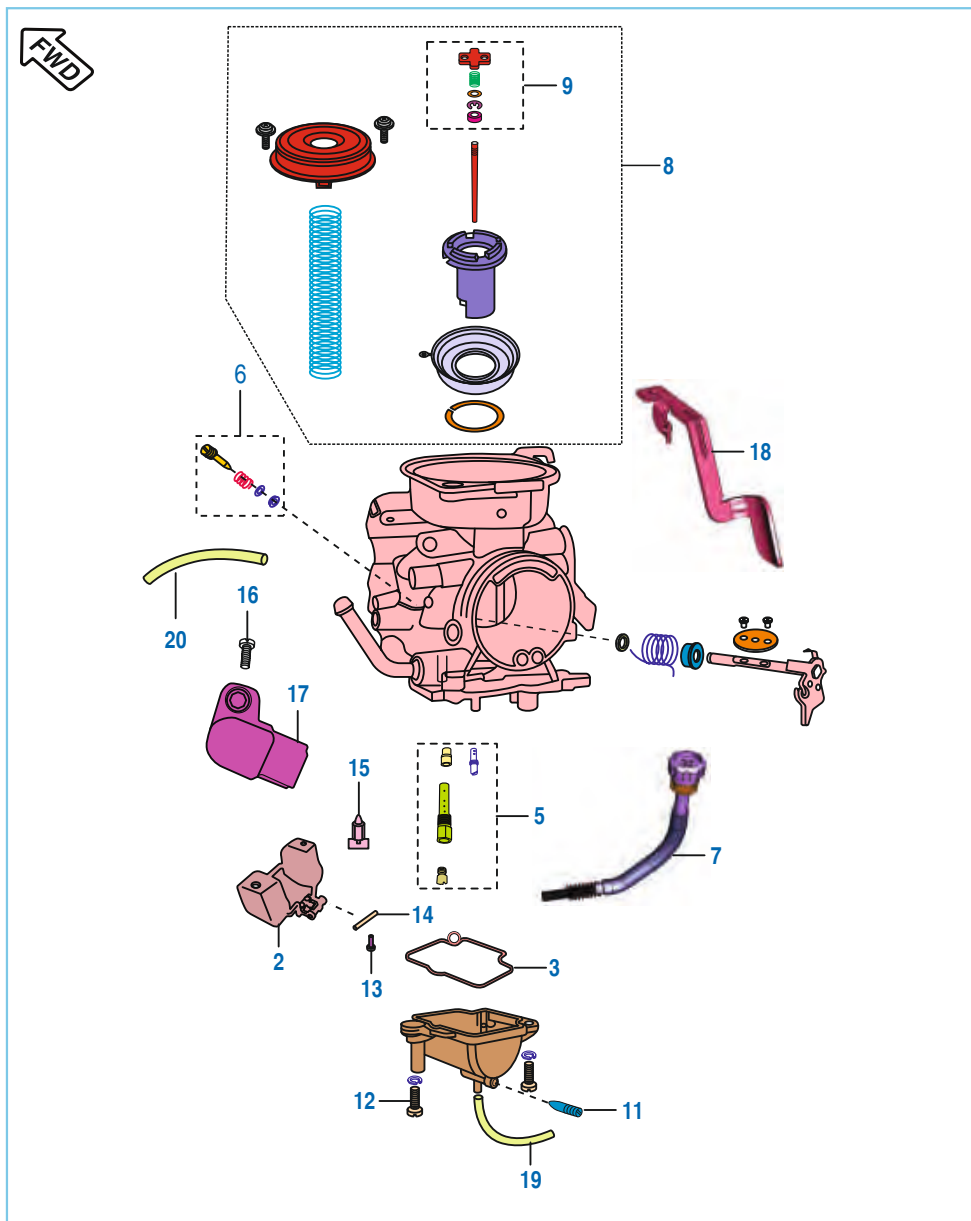
No.	Part No.	Description	Qty.		Remarks
			NS	AS	
1	JE 3512 32	CDI	1	1	
2	JF 4020 00	Regulator Assly	1	1	
3	JE 3512 36	Coil HT - 1	1	1	
4	JE 3512 38	Coil HT - 2	1	1	
5	DD 1110 12	Grommet HT coil	2	2	
6	JE 3512 12	Spark Plug Cap LH	1	1	
7	DD 1110 11	Grommet Spark Plug Cap LH	1	1	
8	AN 1110 15	Cap Spark Plug RH	1	1	
9	DH 1110 13	Grommet Spark Plug Cap RH	1	1	
10	KA DD06 18	Bolt Flanged	4	4	
11	CF 1110 19	Plug - Spark BOSCH :	2	2	UR4AC Or PRZ9HC
	DD 1110 18	Plug - Spark Champion	2	2	
12	KA DF06 14	Bolt Flange	1	1	
13	KA DF06 18	Bolt-Regulator Mtg	1	1	
14	JF 1138 14	Bkt Regulator Loose	1	1	
15	JD 3512 06	Grommet Sleeve Plug Cap RH	1	1	
16	JF 1138 23	Bkt HT Coil Mtg loose	2	2	
17	JL 1138 36	Bracket Cdi Mtg Loose	1	1	

Air Cleaner Complete



No.	Part No.	Description	Qty.		Remarks
			NS	AS	
1	JE 5810 04	Assly Air Filter	1	1	
2	KA DQ06 25	Bolt Flanged	4	4	
3	JE 5810 10	Duct Entry Air Filter	1	1	
4	JE 5810 14	Element Air Filter	1	1	
5	KB QA35 06	Screw Tapping Pan Slotted	3	3	
6	JE 5810 12	Arrester Flame	1	1	
7	JE 5810 45	Seal Bottom Cover	1	1	N.S
8	JE 5810 09	Tube Connecting	1	1	
9	PA 5810 36	Clamp Connecting	1	1	
10	JG 5810 56	Clamp	2	2	
11	JE 5810 11	Tube Breather	1	1	
12	JL 5810 55	Tube Drain	1	1	
13	DG 1210 02	Clamp ( Hose C'case Breather)	1	1	
17	DS 1211 26	Plug	1	1	
18	JE 5810 68	Clamp connecting tube	1	1	

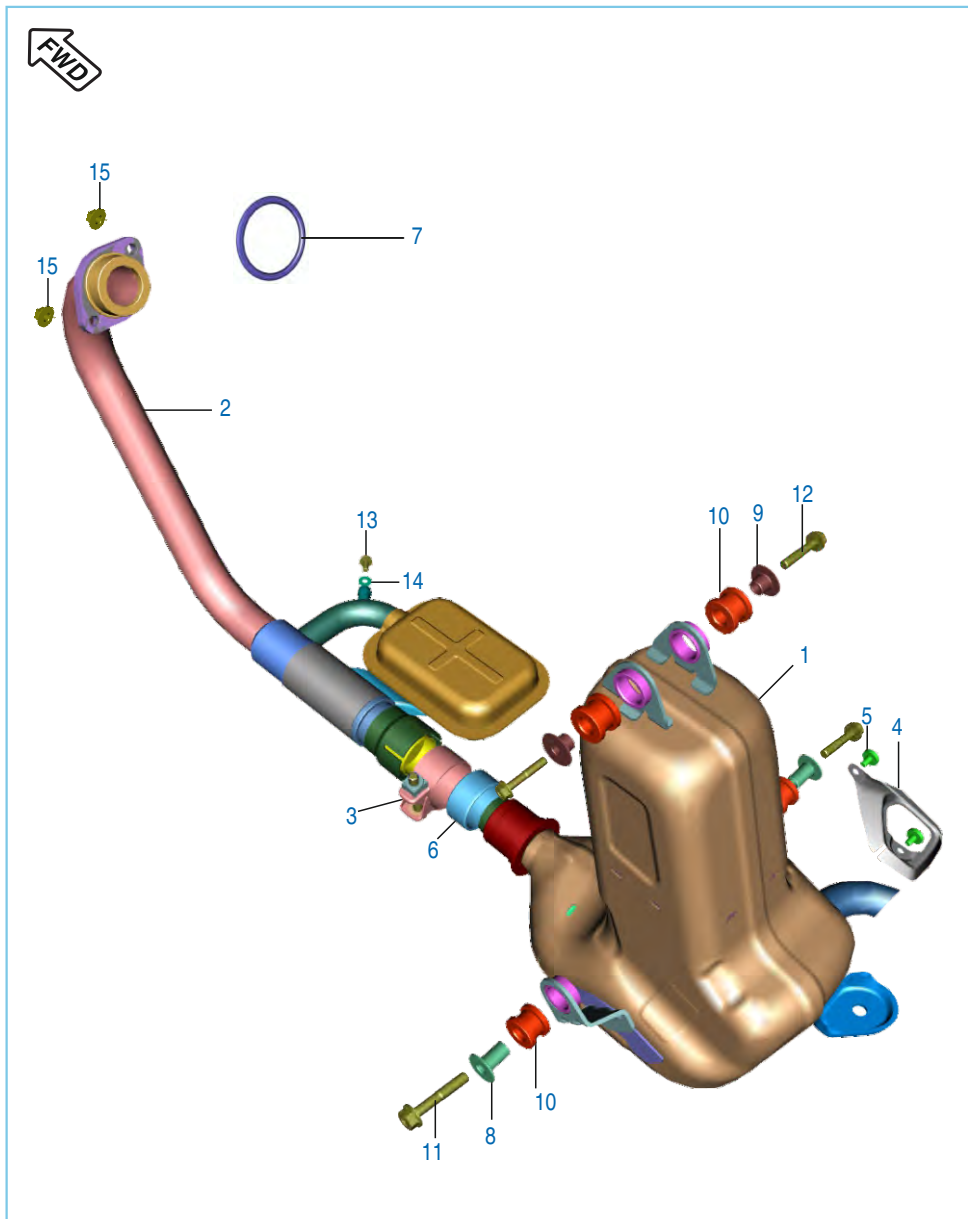
Carburetor



No.	Part No.	Description	Qty.		Remarks
			NS	AS	
1	JE 5812 33	Carburettor	1	1	
2	DK 1210 45	Float Assembly	1	1	
3	36 JE00 22	Kit O Ring & Gasket	1	1	
4	JL 5810 27	Clamp	1	1	N.I.
5	36 JF00 21	Kit Jet	1	1	
6	36 JF00 22	Kit VC Screw	1	1	
7	36 JF00 24	Kit Idling Screw	1	1	
8	36 JF00 23	Kit Piston Valve	1	1	
9	36 JL00 24	Kit Jet Needle Hardware	1	1	
10	36 JL00 23	Kit Gasket / O-ring	1	1	N.I.
11	JA 5813 14	Drain Screw	1	1	
12	CB 1210 42	Float Chamber Screw	2	2	
13	DH 1210 64	Screw Needle Shaft	1	1	
14	DH 1210 63	Float Needle	1	1	
15	DK 1210 47	Needle Assly.	1	1	
16	39 1780 01	Screw Pan - M5	2	2	
17	JD 3518 00	TPS Assly.	1	1	
18	JL 5812 04	Choke Lever	1	1	
19	JL 5812 05	Tube Drain Carb.	1	1	
20	JL 5812 06	Tube Breather	1	1	

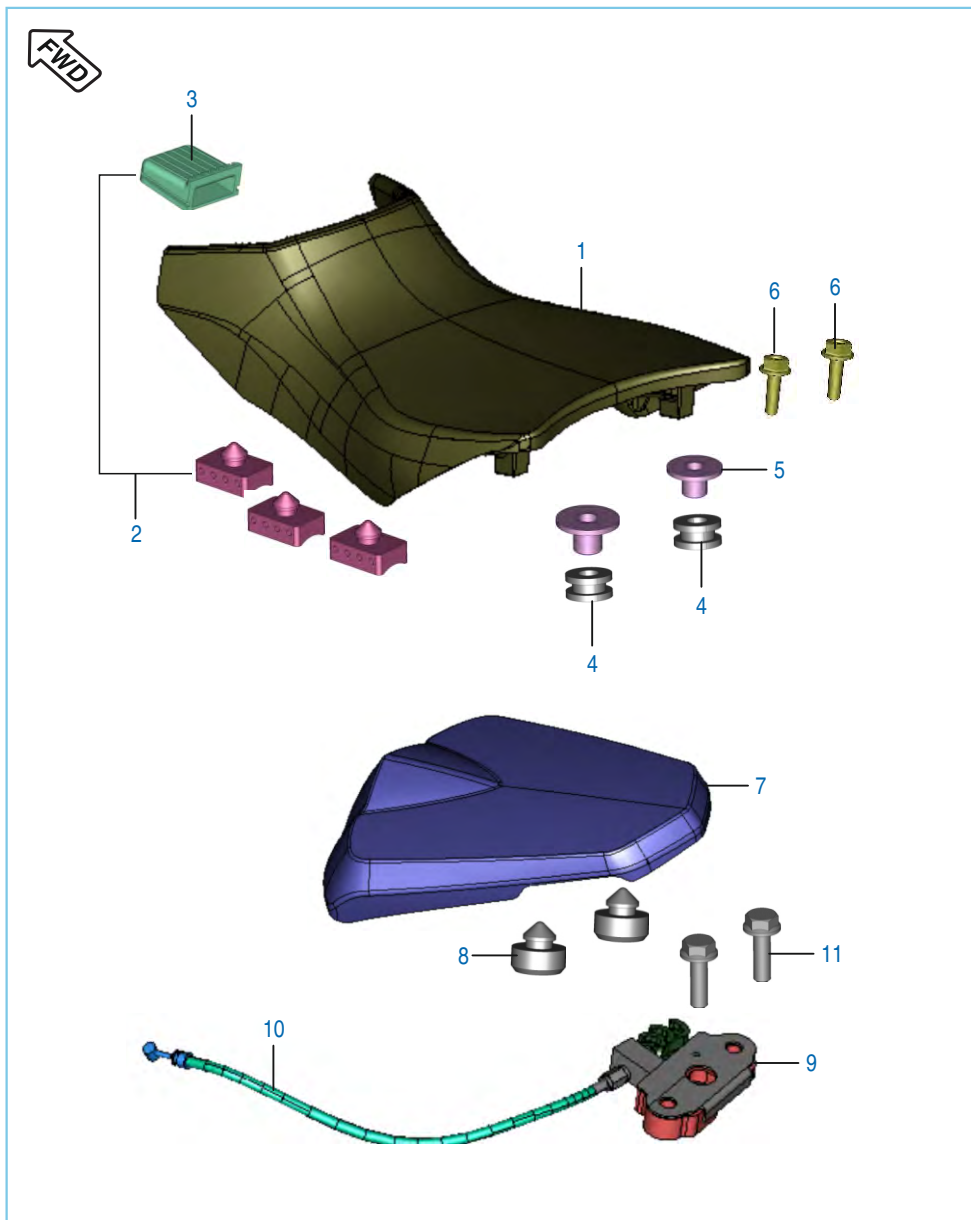


Silencer Assembly



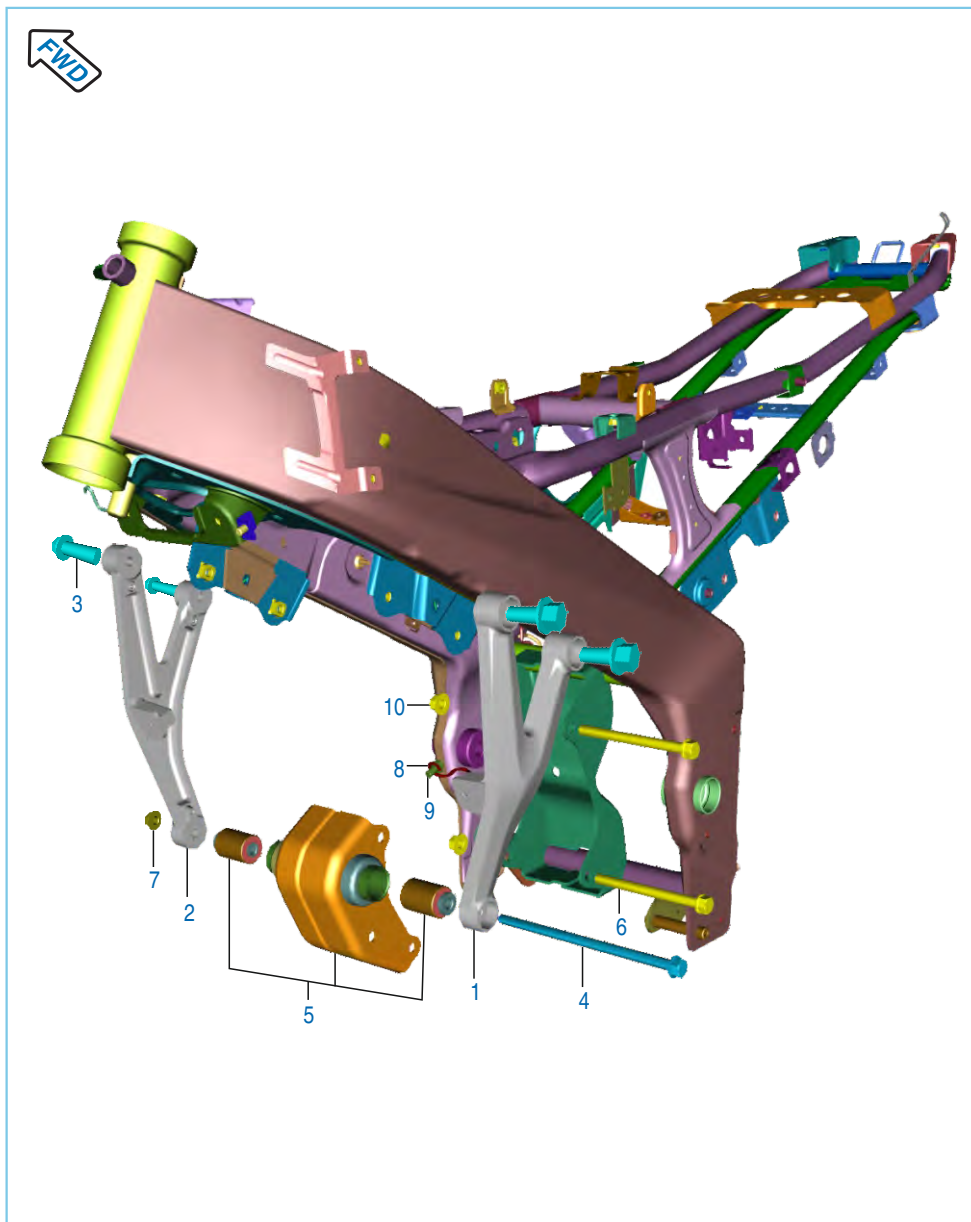
No.	Part No.	Description	Qty.		Remarks
			NS	AS	
1	JE 5910 48	Assembly Muffler	1	1	
2	JE 5910 05	Assly Pipe Exhaust	1	1	
3	JG 5910 38	Band Clip	1	1	
4	JE 5910 46	Heat Shield	1	1	
5	DH 1016 07	Truss Screw	2	2	
6	JG 5910 39	Gasket Muffler Pipe-A	1	1	
7	DJ 1010 64	Gasket Exhaust	1	1	
8	JL 5911 57	Sleeve Bottom	2	2	
9	JL 5911 56	Sleeve Top	4	4	
10	JL 5911 65	Damper Silencer Mounting	4	4	
11	KA DA06 35	Bolt Flanged	2	2	
12	KA DA06 30	Bolt Flanged	2	2	
13	KA DA05 10	Bolt Hex	1	1	
14	39 2492 11	Plain Washer	1	1	
15	39 2295 15	Flange Nut	2	2	

Seat Assembly / Seat Lock



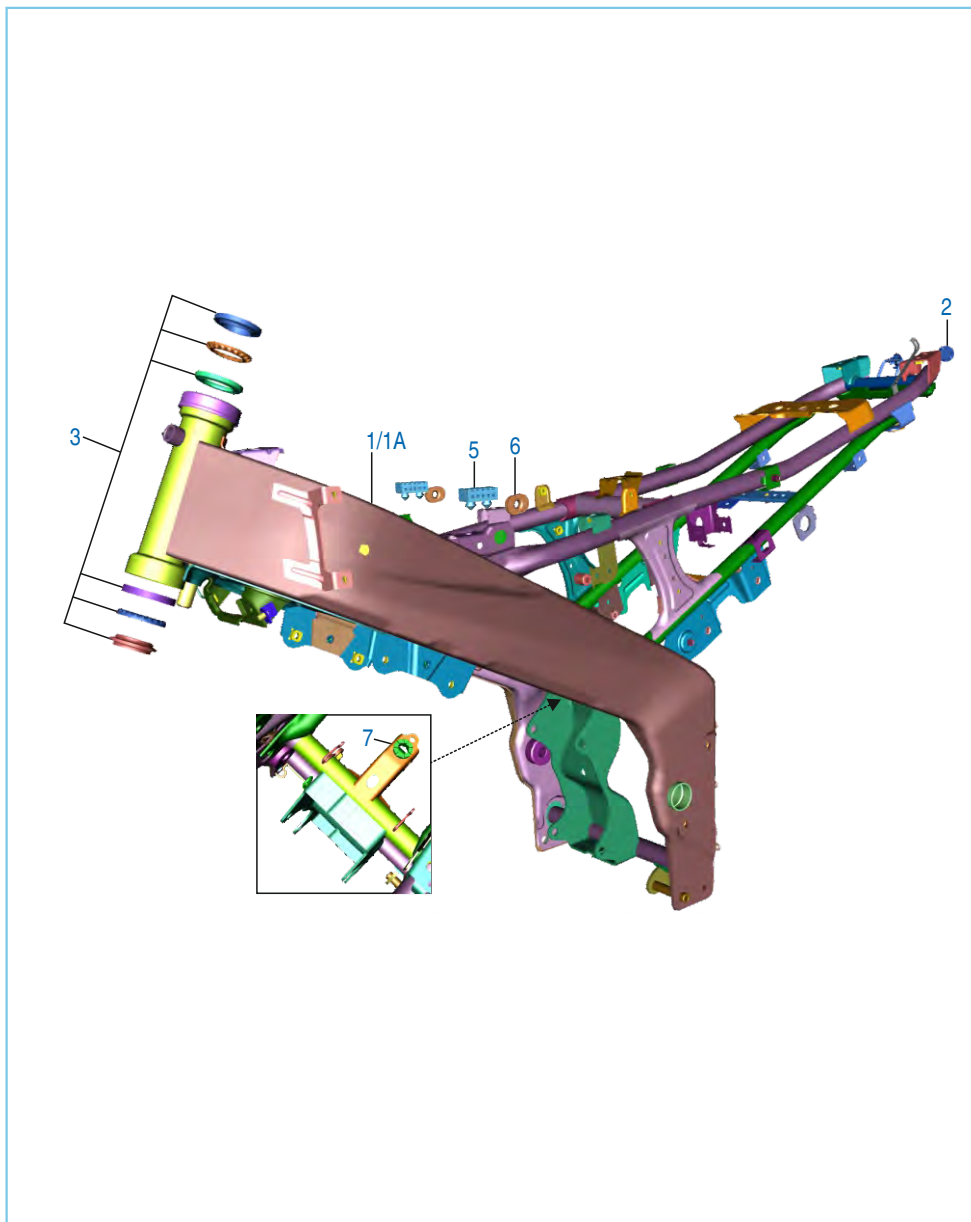
No.	Part No.	Description	Qty.		Remarks
			NS	AS	
1	JL 1910 01	Seat Assy Comp Front	1	1	
2	36 JL00 13	Kit Damper For Seat	1	1	
3	DK 2110 07	Damper Seat Front	1	1	
4	JG 1910 08	Collar -Seat	2	2	
5	FD 2110 06	Grommet - Seat	2	2	
6	DS 1612 87	Flange Bolt - M6	2	2	
7	JL 1910 04	Seat Assy Comp Rear	1	1	
8	JD 1910 06	Damper Round	2	2	
9	JG 2326 01	Lock Assy Seat Rear	1	1	
10	JG 2326 06	Seat Lock Cable	1	1	
11	KC JD12 12	Nut	2	2	
12	JL 2326 04	Cover Seat Lock	1	1	

Engine Mountings



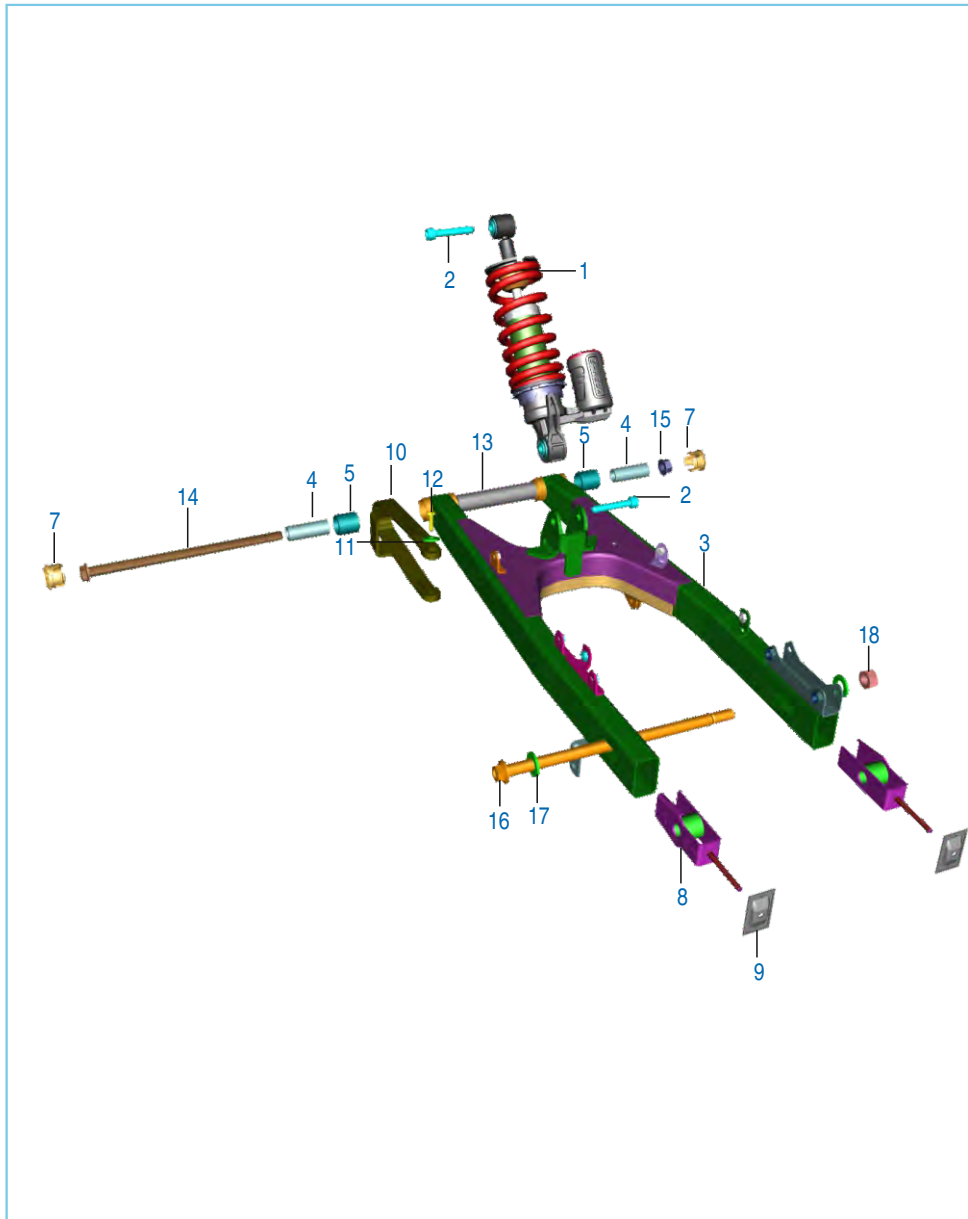
No.	Part No.	Description	Qty.		Remarks
			NS	AS	
1	52 JF00 47	Engine Stay Lh	1	1	
2	52 JF00 90	Engine Stay Rh	1	1	
3	39 1956 04	Bolt - Flanged Small	4	4	
4	JF 1110 52	Engine Mtg Bolt Front	1	1	
5	52 JF00 63	Bracket Engine Mtg Front	1	1	
6	JF 1134 12	Flanged Bolt	2	2	
7	LC G000 14	Nut Flanged	2	2	
8	JF 1138 08	Hook Drain Tube	1	1	
9	KA EM06 10	Bolt Flanged	1	1	
10	39 2723 15	Nut Flanged	1	1	

Frame and Frame Fittings



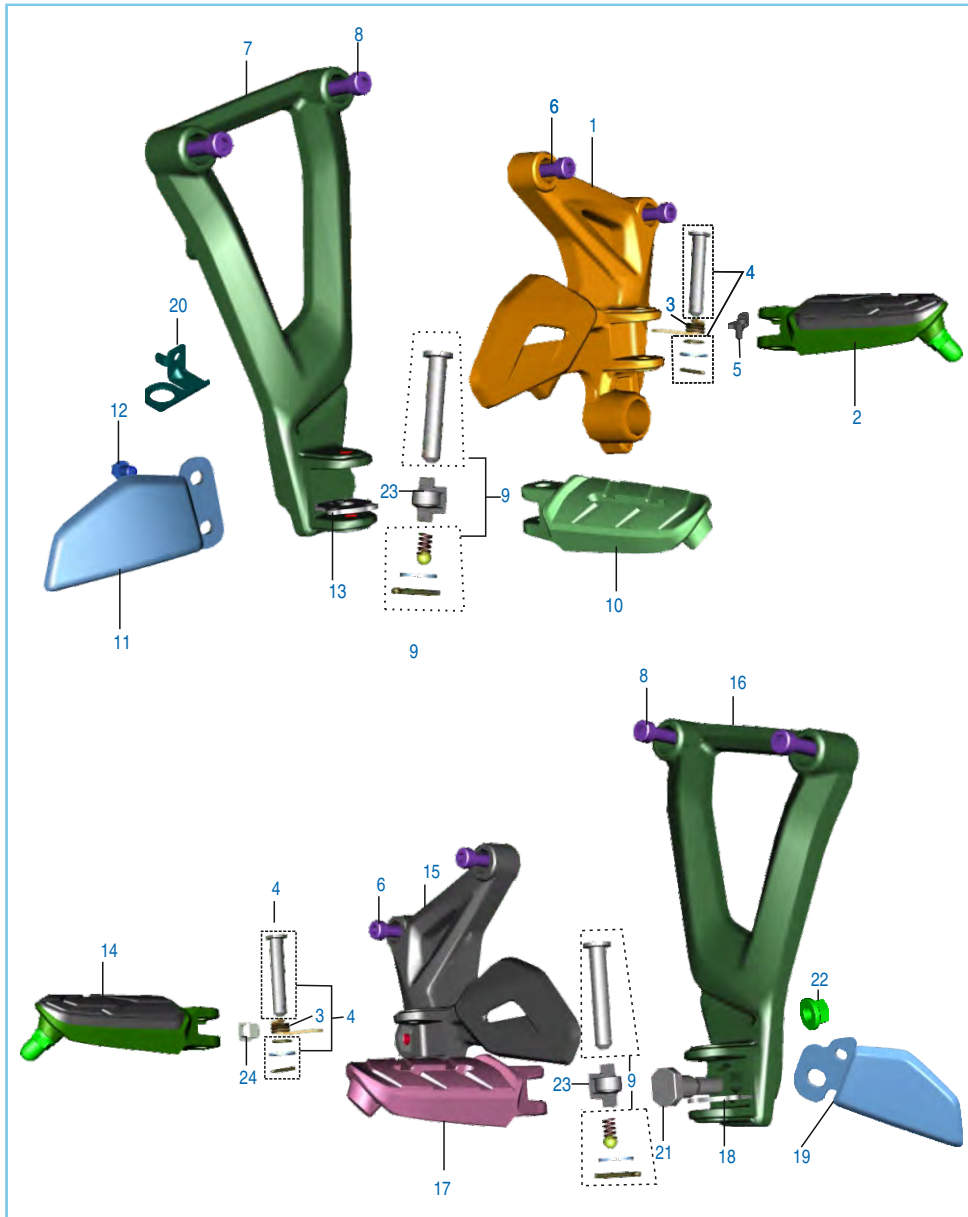
No.	Part No.	Description	Qty.		Remarks
			NS	AS	
1	JF 1110 00	Frame Assy Complete	1	-	
1a	JF 1111 36	Frame Assy Complete	-	1	
2	JL 1111 03	Cap Tube End	2	2	
3	36 Jg00 11	Kit Steering & Bearing	1	1	
4	JB 1812 23	Beading	2	2	N.I
5	DS 2110 04	Damper Seat I	2	2	
6	DS 1410 12	Grommet Side Cover	2	2	
7	JL 1138 09	Grommet Air Filter Resting	1	1	

Swing Arm / Rear Shock Absorber



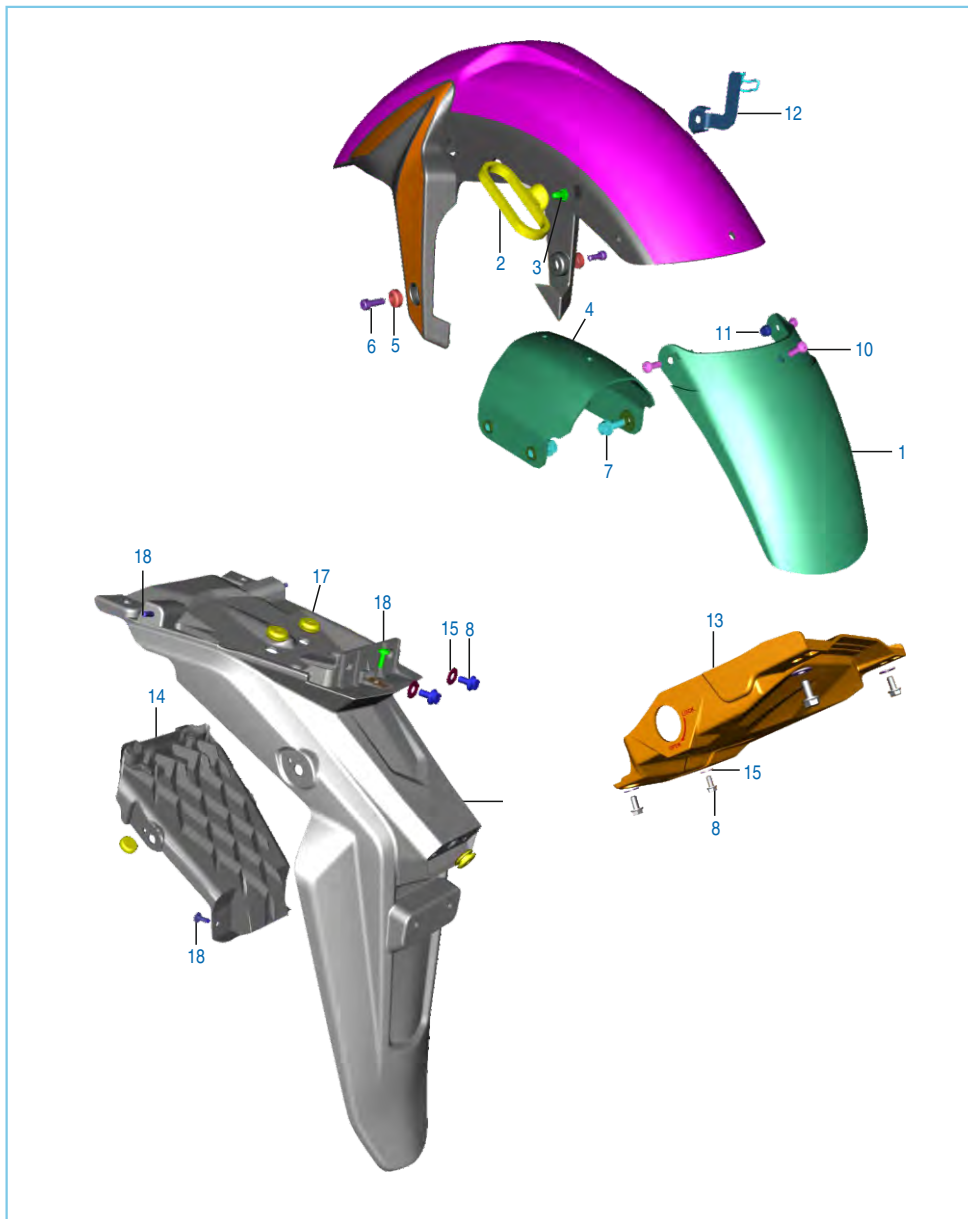
No.	Part No.	Description	Qty.		Remarks
			NS	AS	
1	JF 1220 00	Shockabsorber Mono	1	1	
2	LA C000 19	Bolt Socket M10 X 1.25 X 55	2	2	
3	JF 1220 05	Assembly Swing Arm Comp	1	1	
4	DG 1710 16	Sleeve	2	2	
5	DG 1710 18	Bearing - Needle	2	2	
6	DG 1710 19	Seal - Oil	4	4	
7	JL 1111 09	Cap Swing Arm Tube	2	2	
	DT 1138 48	Cap Swing Arm Tube	2	2	Ref. Cir. IB - 173
8	JZ 1220 08	Adjuster Chain Lh & RH	2	2	
9	JZ 1220 12	Plate Adjuster Chain	2	2	
10	JF 1220 06	Slider Chain	1	1	
11	39 0454 11	Washer - Plain	2	2	
12	39 0553 02	Screw - Self Tapping	2	2	
13	JL 1220 08	Spacer Central Swing Arm	2	2	
14	DG 1710 15	Shaft - Swing Arm	1	1	
	JL 1220 26	Shaft - Swing Arm	1	1	Ref. Cir. IB - 173
15	39 1053 15	Nut	1	1	
16	JZ 1312 17	Axel	1	1	
17	LD B000 29	Washer Rear Axel	2	2	
18	LC J000 02	Nut	1	1	

Pillion Foot Rest / Holder



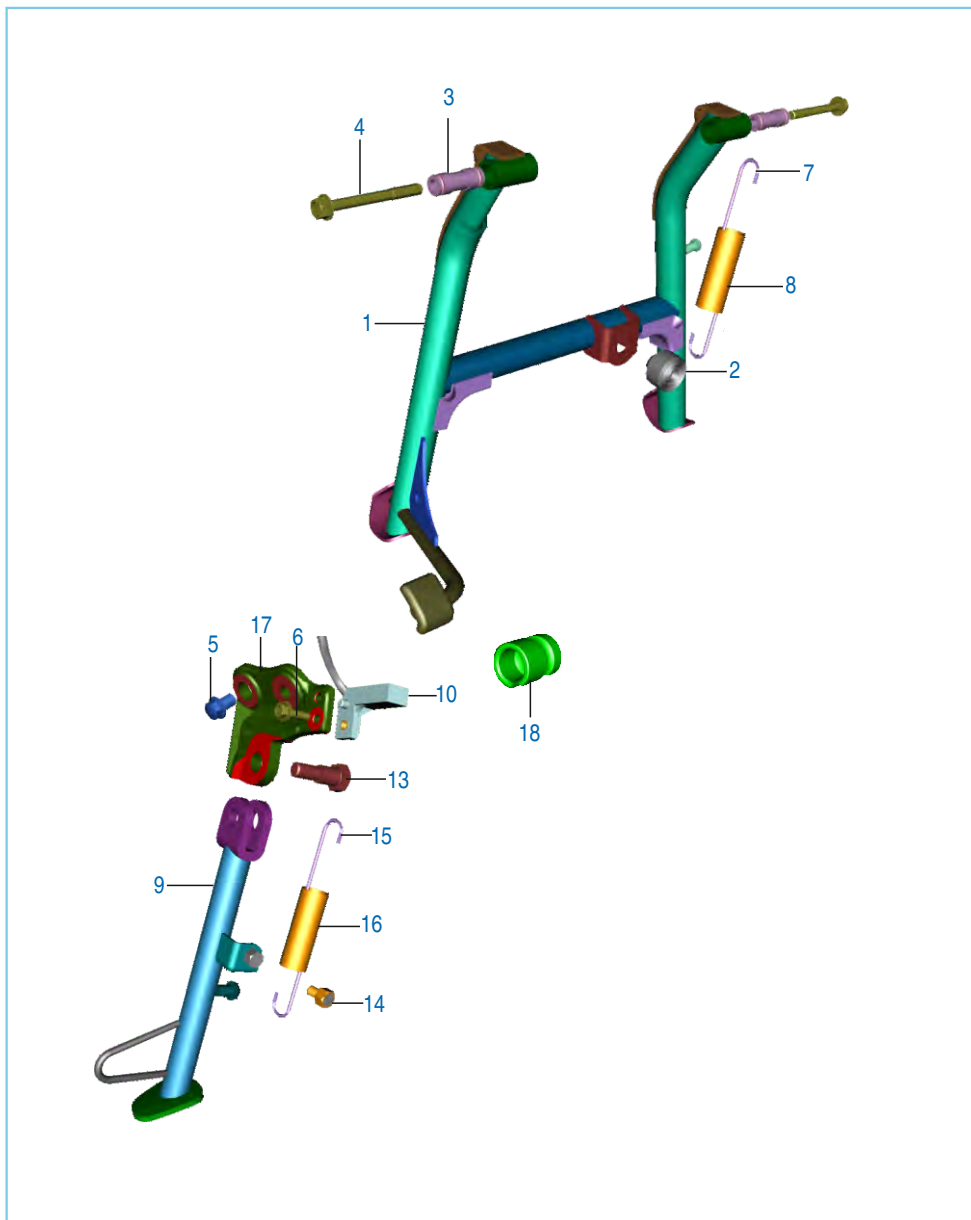
No.	Part No.	Description	Qty.		Remarks
			NS	AS	
1	JL 1130 02	Holder Step RH	1	1	
2	JF 1130 09	Step Assy Main RH	1	1	
3	JL 1130 12	Spring Torsion	1	1	
4	36 JL00 41	Kit Main Step Hardware	2	2	
5	JF 1130 07	Damper Footrest	1	1	
6	KA CA08 20	Bolt-Socket Dia-08 L-20	4	4	
7	JL 1130 15	Step Holder - Pillion RH	1	1	
8	LA C000 16	Bolt Socket M8X35	4	4	
9	36 JL00 15	Kit Pillion Hardware	2	2	
10	56 JL02 01	Step Pillion Assy Complete RH	1	1	
11	JL 1130 27	Flap Pillion Holder RH	1	1	
12	KA DE06 10	Bolt - Flanged :- Small	4	4	
13	DT 1130 15	Lock Plate RH	1	1	
14	52 JL01 58	Step Assy Main LH(MTL Color)	1	1	
15	JL 1130 34	Holder Step LH	1	1	
16	JL 1130 13	Step Holder Pillion LH	1	1	
17	JL 1130 14	Step Pillion Assy Complete LH	1	1	
18	DT 1130 14	Lock Plate LH	1	1	
19	JL 1130 26	Flap Pillion Holder LH	1	1	
20	JL 1130 33	Bracket Rear Brake Switch	1	1	
21	JL 1130 38	Step bolt	1	1	
22	39 1055 15	Nut Hex. with flange- M10	1	1	
23	JL 1130 36	Rubber Pillion Step	2	2	
24	JL 1130 28	Rubber pad step LH	1	1	

Mudguard - Front & Rear



No.	Part No.	Description	Qty.		Remarks
			NS	AS	
1	JF 1814 03	Mudflap -Front	1	1	
2	DS 1611 25	Guide - Cable	1	1	
3	DJ 1610 69	Nail - Cable Guide	1	1	
4	JF 1814 02	Bracket Brace Fender	1	1	
5	JL 1814 11	Washer Front-Fender-Mtg	2	2	
6	KA Ca06 16	Bolt - Hexagon Socket Head :- M6	2	2	
7	KA DF08 20	Bolt - Flanged M8	4	4	
8	KA DF06 14	Bolt - Flanged	-	4	
9	KD Aa05 10	Washer - Plain	6	6	
10	39 1698 01	Screw - Pan Head M5	3	3	
11	39 0326 15	Nut - Nyloc M5 X 0.8	3	3	
12	JL 1318 11	Bracket -Hose Clamp	1	-	
	JL 1138 34	Bracket -Hose Clamp	-	1	
13	JL 1812 09	Fender Rear Front	1	1	
14	JL 1814 36	Under Tray	-	1	
15	LD B000 23	Washer Plain	-	4	
16	JL 1814 33	Fender Rear	-	1	
17	DJ 2011 73	Grommet for Cable	-	3	
18	KB UC05 14	Screw Truss	-	5	
19	KA DF06 12	Bolt Flanged	-	2	

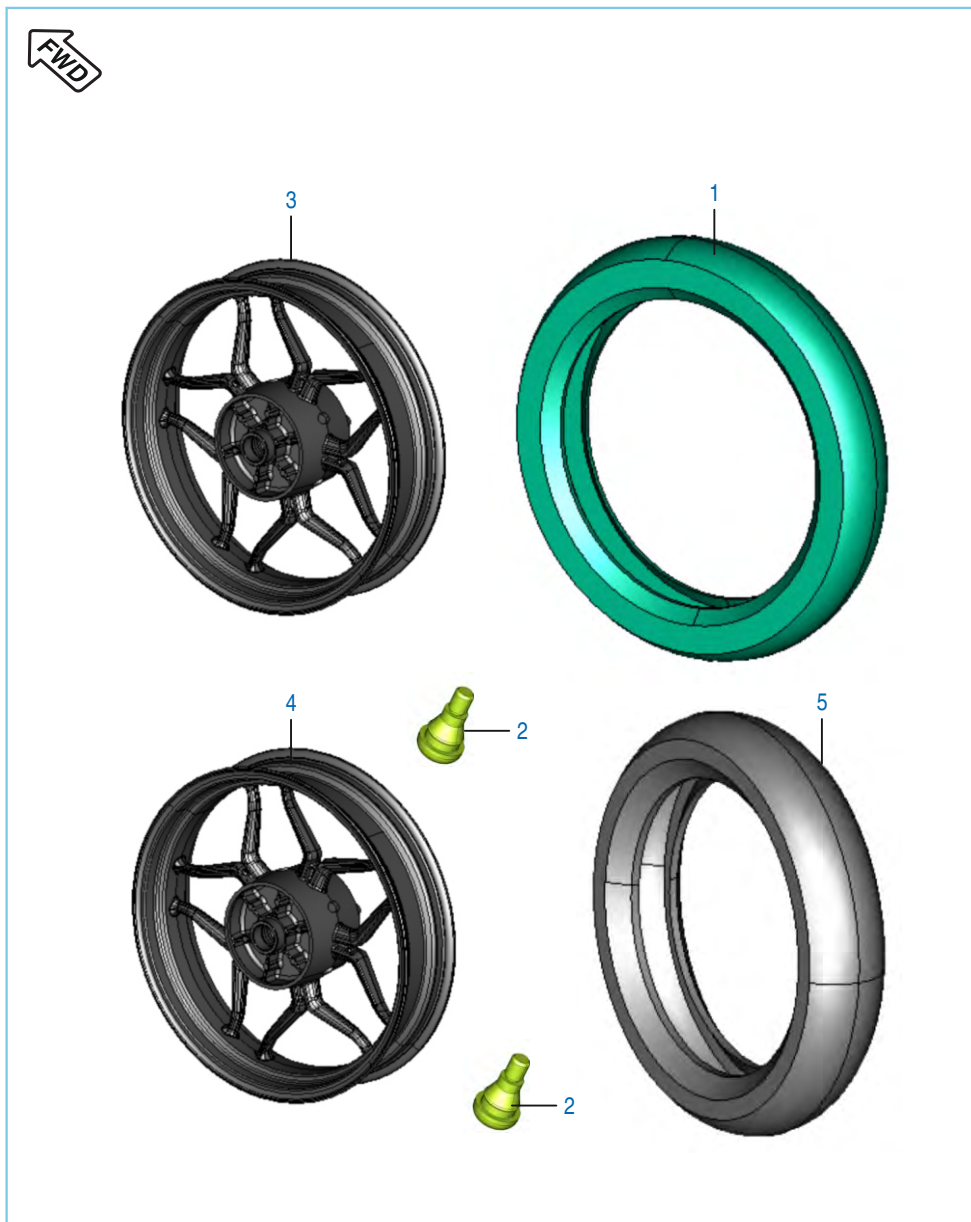
Stand Assembly



No.	Part No.	Description	Qty.		Remarks
			NS	AS	
1	JF 1132 02	Center Stand	1	1	
2	DG 1611 24	Damper	1	1	
3	JL 1132 10	Bush Main Stand LH	2	2	
4	LA D001 34	Bolt - Flanged M8	1	1	
5	39 1689 04	Bolt - Hexagon M8 X 1.25	1	1	
6	LA D001 35	Bolt Flanged	1	1	
7	JL 1132 07	Spring Main Stand	1	1	
8	JL 1132 12	Cover Spring Main Stand	1	1	
9	JL 113201	Assly Side Stand	1	1	
10	JL 4014 02	Switch Side Stand	1	1	
11	39 0422 15	Nut - Nyloc	1	1	
12	DF 1611 02	Bolt for Side Stand Mtg	1	1	
13	KA Db05 16	Bolt Flanged	1	1	
14	JL 4036 00	Magnet Assly	1	1	
15	JL 1132 09	Spring Side Stand	1	1	
16	DH 1611 46	Cover Spring Side Stand	1	1	
17	52 JL00 72	Bracket Side Stand Mtg	1	1	
18	JL 1132 23	Bush Anchor Pin	1	1	

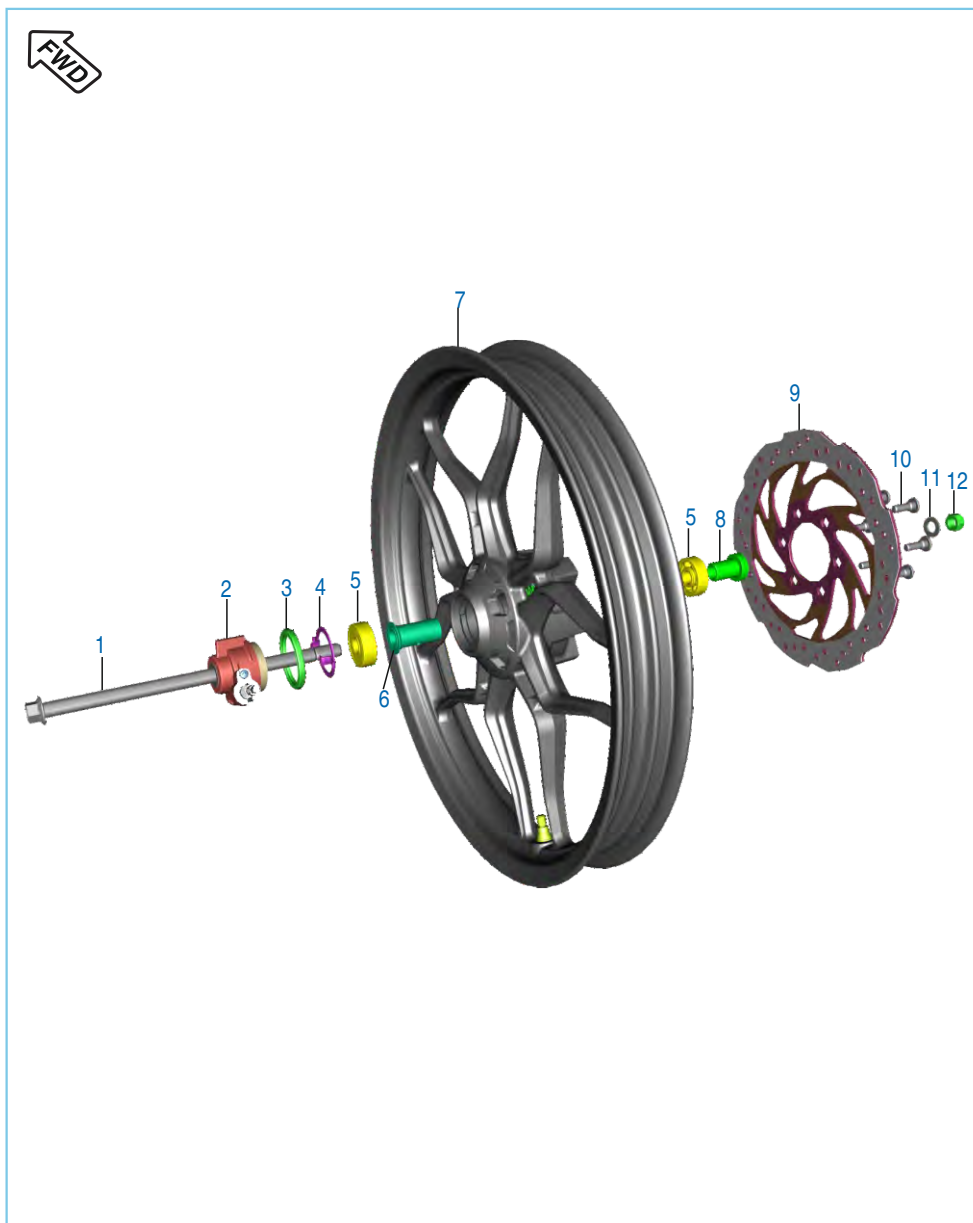


Tube / Tyre / Rim



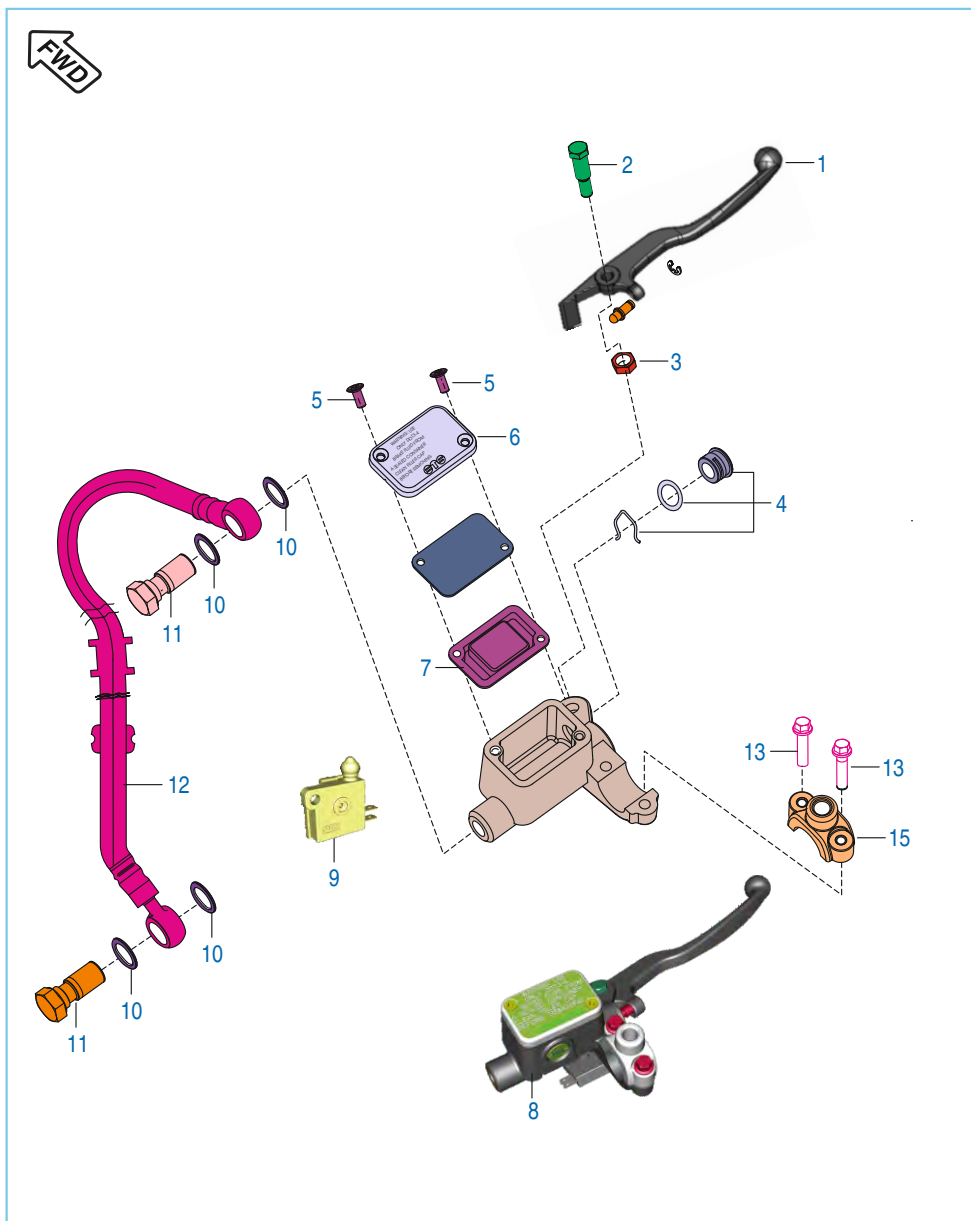
No.	Part No.	Description	Qty.		Remarks
			NS	AS	
1	JF 1310 10	Tyre Front Tubeless	1	1	
2	DK 1510 26	Valve Tubeless Tyre	2	2	
3	JF 1310 11	Wheel Rim 1.85X17	1	1	
4	JF 1312 06	Wheel Rim 2.15X17	1	1	
5	JF 1312 22	Tyre Rear 110/80-17	1	1	

Front Hub



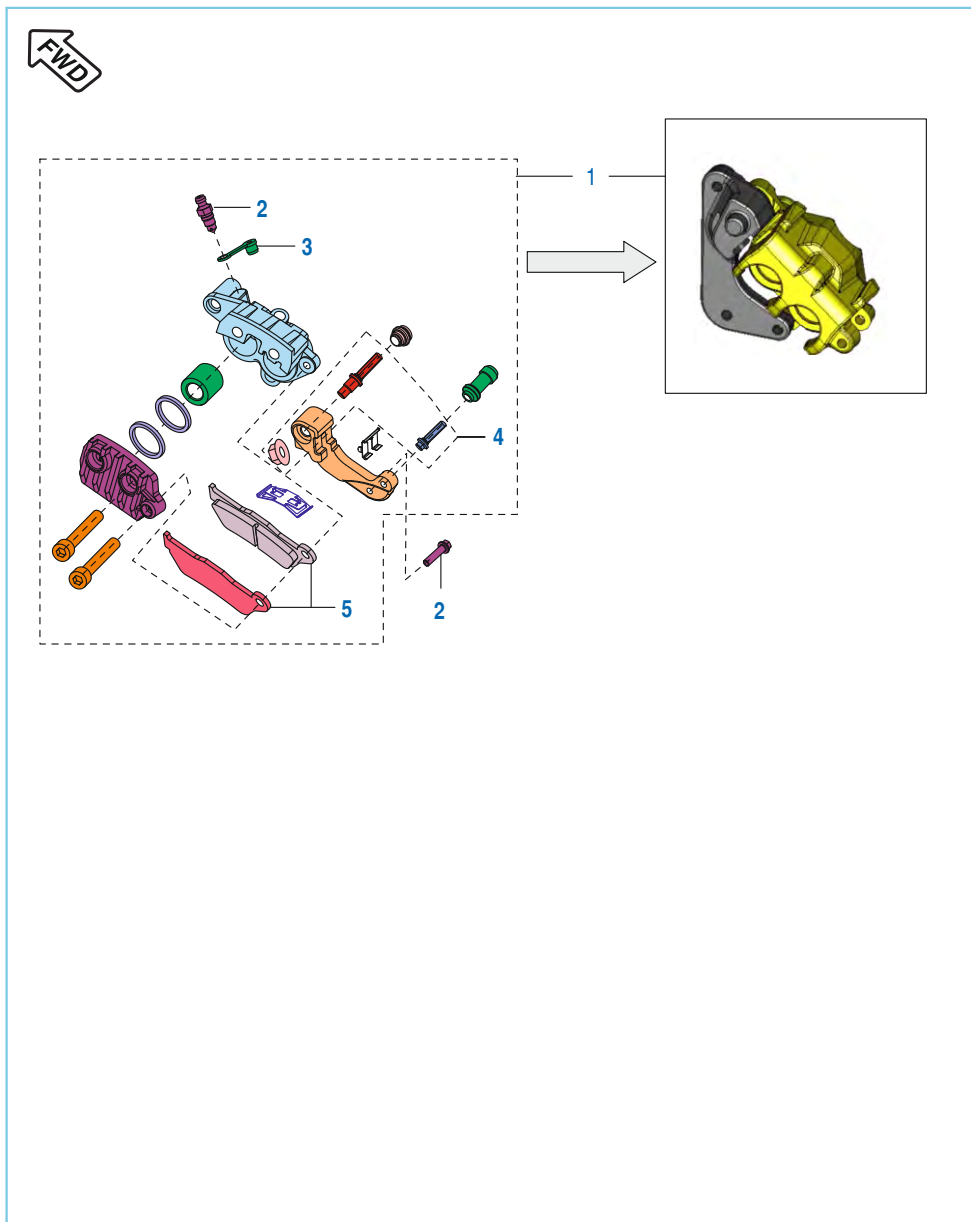
No.	Part No.	Description	Qty.		Remarks
			NS	AS	
1	JF 1310 08	Axel Front	1	1	
2	DH 2010 79	Sensor Speed Assly	1	1	
3	30 1510 33	Oil Seal	1	1	
4	DE 1510 12	Plate Drive	1	1	
5	KP BB63 01	Bearing Ball C3 Clearance	2	2	
6	DE 1510 06	Sapcer Assly	1	1	
7	JF 1310 11	Wheel front	1	1	
8	DS 1510 58	Spacer	1	1	
9	JF 1318 00	Disc Front	1	1	
10	JD 1318 11	Special Bolt	6	6	
11	JB 1310 18	Washer	1	1	
12	JB 1310 19	Nut	1	1	

Front Master Cylinder



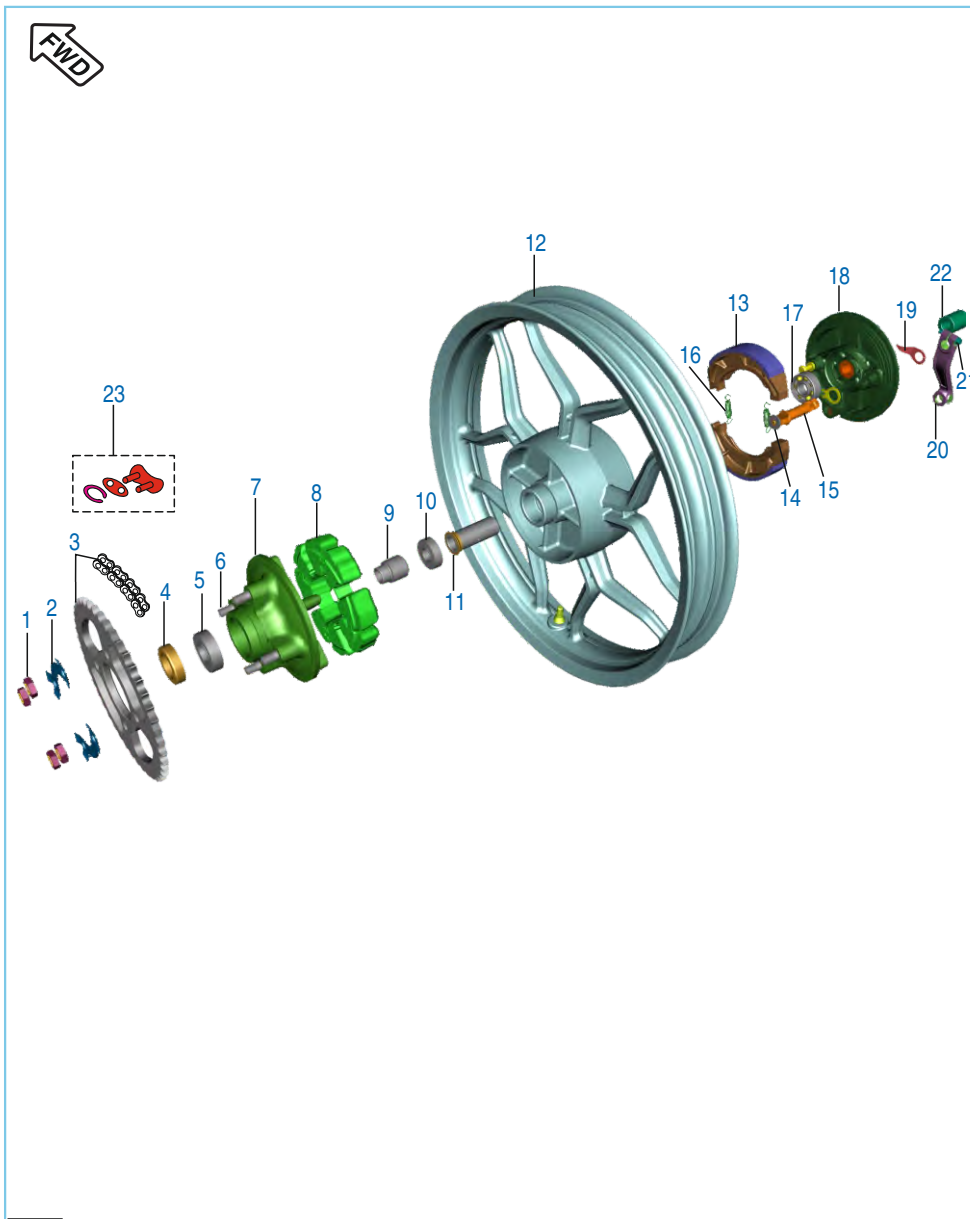
No.	Part No.	Description	Qty.		Remarks
			NS	AS	
1	JG 1610 10	Lever Front Brake	1	1	
2	DJ 1910 29	Bolt Front Bracket I	1	1	
3	DJ 1910 30	Nut	1	1	
4	DH 1910 62	Oil Window Kit	1	1	
5	DJ 1910 31	Screw	2	2	
6	DE 1910 29	Cover Reservoir	1	1	
7	DE 1910 28	Diaphragm	1	1	
8	JF 1318 07	Master Cylinder with Lever	1	1	
9	DJ 2011 00	Brake Switch	1	1	
10	DE 1910 10	Washer -Copper	4	4	
11	DK 1510 69	Bolt- Benjo	2	2	
12	JF 1318 02	Hose Assly	1	-	
	JF 1319 01	Hose Assly	-	1	
13	LA D000 37	Bolt Flanged	2	2	
14	36 JF00 44	Master Cyl Major Kit W/o Grease	1	1	N.I
14a	36 JF00 45	Master Cyl Minor Kit W/o Grease	1	1	N.I
15	DE 1910 33	Clamp Holder RH	1	1	
16	36 JF00 46	Master Cyl Seal kit W/O Grease	1	1	N.I

Front Disc Brake



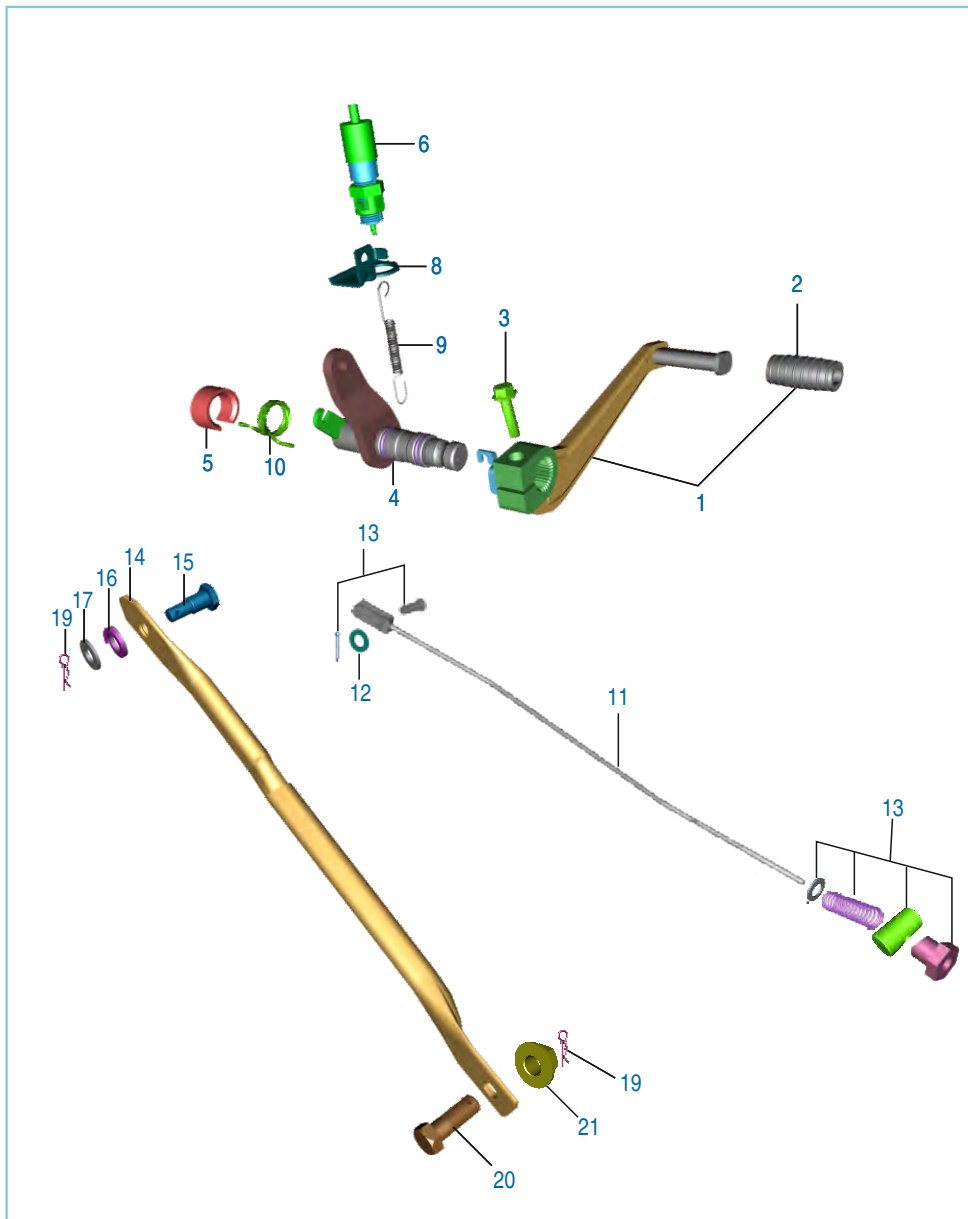
No.	Part No.	Description	Qty.		Remarks
			NS	AS	
1	JF 1318 06	Caliper Assy Brake Front	1	1	
2	DJ 1510 69	Screw Bleeder	1	1	
3	DJ 1510 70	Bleeder Cap	1	1	
4	JW 1318 10	Anchor Pin Kit	1	1	
5	JW 1318 07	Disc Pad	1	1	
6	36 JF00 47	Kit Caliper Minor W/O Grease	1	1	N.I
7	36 JF00 48	Kit Caliper Major W/O Grease	1	1	N.I
8	36 JF00 49	Kit Caliper Mini W/O Grease	1	1	N.I

Rear Hub



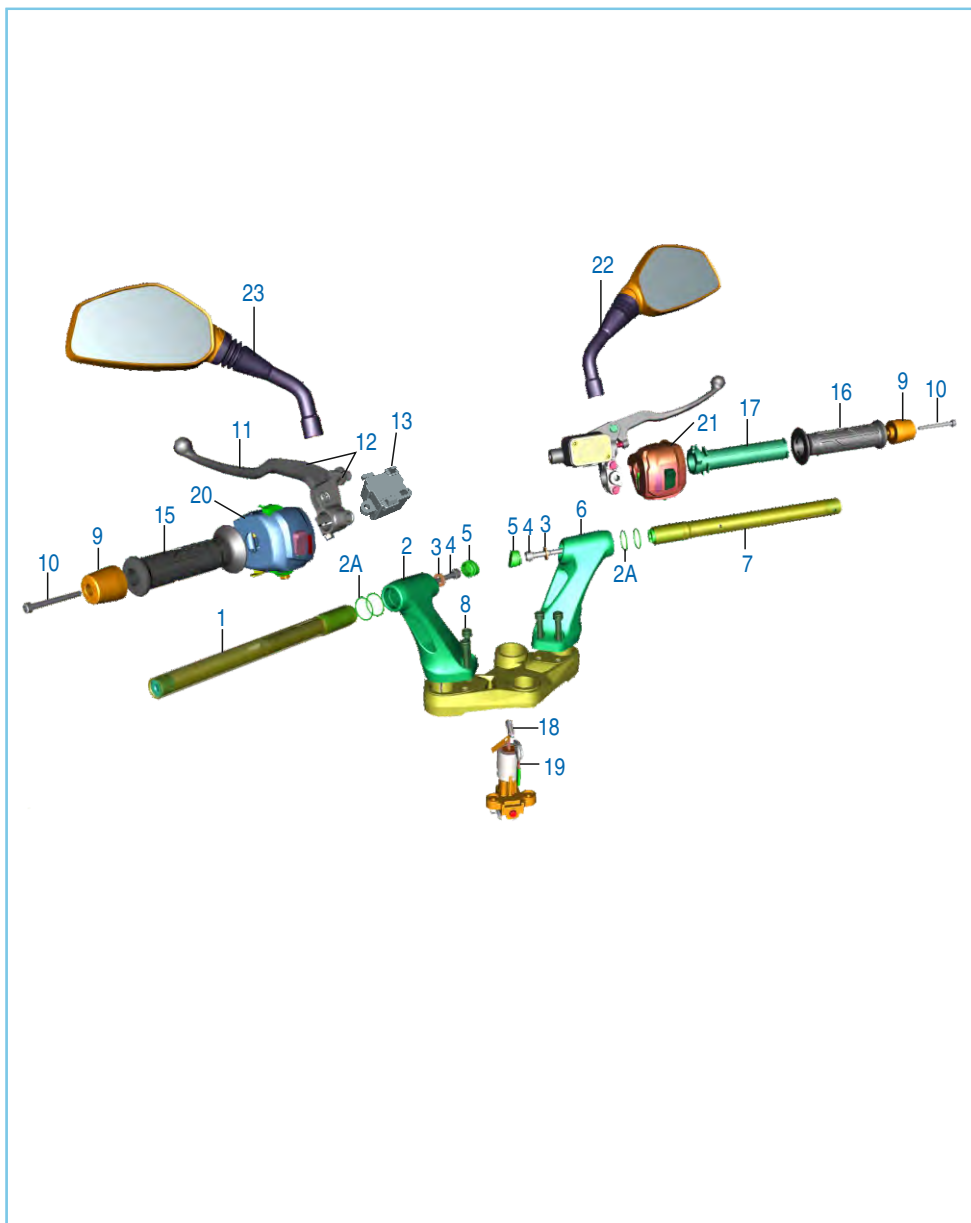
No.	Part No.	Description	Qty.		Remarks
			NS	AS	
1	LC B000 05	Nut Hex	4	4	
2	PF 1312 20	Washer Lock	2	2	
3	36 JF00 06	Kit Sprocket chain	1	1	
4	DS 1510 57	Dust Cover	1	1	
5	KP BC60 04	Bearing Ball	1	1	
6	DS 1510 73	Stud	4	4	
7	JN 1312 03	Coupling	1	1	
8	JG 1312 19	Coupling Rubber	1	1	
9	JD 1312 12	Sleeve	1	1	
10	KP Bb62 02	Bearing Ball	1	1	
11	JD 1312 10	Collar	1	1	
12	JF 1312 06	Wheel Rear	1	1	
13	30 1511 05	Brake Shoe assly	1	1	
14	39 0722 11	Plain Washer	1	1	
15	JC 1510 04	Cam Brake	1	1	
16	30 1510 69	Spring	2	2	
17	KP Bb63 02	Bearing Ball	1	1	
18	JF 1316 01	Panel Rear	1	1	
19	JC 1510 06	Indicator	1	1	
20	JF 1316 00	Cam Lever	1	1	
21	JB 1312 24	Hex Bolt	1	1	
22	JF 1312 09	Spacer Panel	1	1	
23	JD 1410 03	Lock Set	1	1	

Rear Brake Pedal



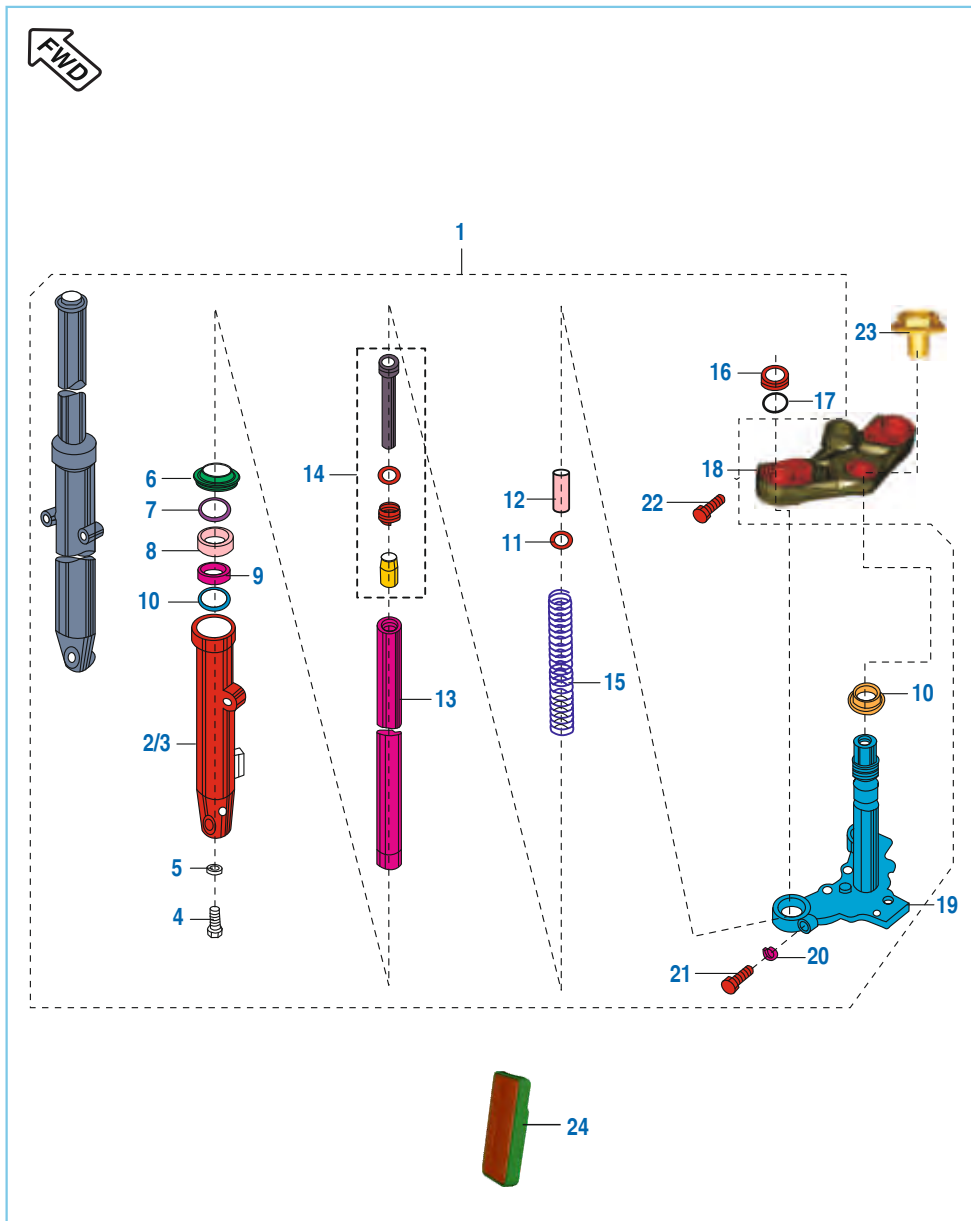
No.	Part No.	Description	Qty.		Remarks
			NS	AS	
1	JF 1610 01	Brake Pedal	1	1	
2	JH 5614 04	Damper	1	1	
3	59 0400 48	Bolt Flanged	1	1	
4	JL 1610 05	Shaft Assly Brake Lever	1	1	
5	DH 1910 13	Spacer Brake Shaft Assly	1	1	
6	31 2010 79	Switch - Rear Brake	1	1	
7	39 2475 04	Hex Head Bolt	1	1	N.I
8	JL 1130 33	Bracket Rear Brake Switch	1	1	
9	JL 1610 06	Spring Rear Brake Switch	1	1	
10	DH 1910 06	Spring - Brake - Pedal	1	1	
11	JL 1318 10	Brake Rod	1	1	
12	39 0198 11	Washer	2	2	
13	36 JC00 03	Kit Hardware Rod Brake	1	1	
14	DJ 1510 42	Rod Torque	1	1	
15	DH 1510 29	Step Bolt	1	1	
16	39 0789 12	Spring Washer	1	1	
17	39 0454 11	Plain Washer	1	1	
18	39 0694 15	Hex Lock Nut	1	1	
19	39 0807 08	Split Pin	2	2	
20	DG 1910 48	Bolt	1	1	
21	39 1225 15	Hex Nut Flanged	1	1	

Handle Bar Assly



No.	Part No.	Description	Qty.		Remarks
			NS	AS	
1	JL 1510 21	Handle Bar Tube LH assly.	1	1	
2	JF 1510 25	Holder Handle LH	1	1	
2A	JL 1510 38	O ring	4	4	
3	39 1180 11	Washer - Plain	2	2	
4	LA C000 20	Bolt Socket M8X1.25Px55L	2	2	
5	JL 1510 28	Plug Handle Holder	2	2	
6	JF 1510 27	Holder Handle RH	1	1	
7	JL 1510 34	Handlebar Tube Assy RH	1	1	
8	DG 1810 08	Bolt - Socket	4	4	
9	JL 1510 35	Handlebar Weight	2	2	
10	39 2427 04	Bolt - Hexagon Socket Head Cap:M6	2	2	
11	JL 1610 11	Lever & Support Holder Assly LH	1	-	
	JL 1610 15	Lever & Support Holder Assly LH	-	1	
12	JL 1610 12	Lever LH For New Clutch Switch	1	-	
	JG 1610 08	Lever LH For New Clutch Switch	-	1	
13	DJ 2012 46	Clutch Switch (6Amp Diode)	1	-	
	JL 4014 11	Clutch Switch	-	1	
14	DD 1910 15	Clamp - Rubber	1	1	
15	JL 1610 03	Handle Grip LH	1	1	
16	JL 1610 08	Grip Hand Assy RH	1	-	
	DT 1610 05	Grip Hand Assy RH	-	1	
17	JG 1510 22	Pipe - Throttle	1	1	
18	JL 1510 23	Lock Set 3 In 1	1	-	
	JF 2326 06	Lock Set 3 In 1	1	-	Ref. Cir. IB-200
	DT 2326 01	Lock Set 3 In 1	-	1	
	JF 2326 03	Lock Set 3 In 1	-	1	Ref. Cir. IB-200
	JF 2326 04	Lock Set 3 In 1	1	-	For Argentina
19	JL 4014 03	Switch Ignition	1	-	
20	JL 4014 00	Switch Control LH	1	-	
	JL 4014 09	Switch Control LH	-	1	
21	JL 4014 01	Switch Control RH	1	-	
	JL 4014 01	Switch Control RH	1	-	For Argentina
	JL 4014 10	Switch Control RH	-	1	
22	JL 2316 01	Mirror Assly RH	1	1	
23	JL 2316 00	Mirror Assly LH	1	1	

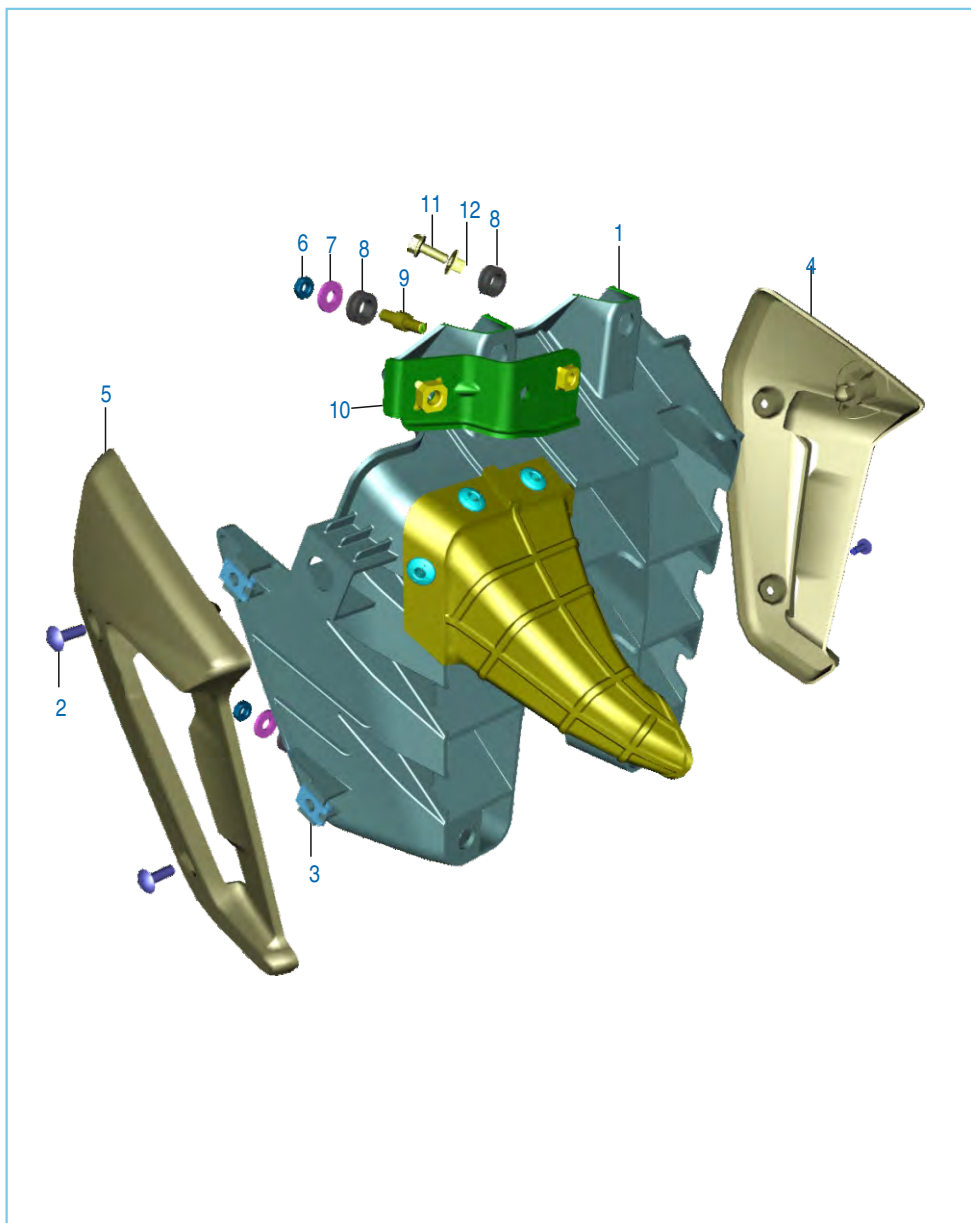
Front Fork



No.	Part No.	Description	Qty.		Remarks
			NS	AS	
1	JF 1510 18	Fork Assly- Front	1	1	
2	JF 1510 31	Tube Outer LH	1	1	
3	JF 1510 32	Tube Outer RH	1	1	
4	30 1810 25	Soc. Head Bolt	2	2	
5	30 1810 26	Copper Washer	2	2	
6	DJ 1810 89	Inner Dust Seal	2	2	
7	DJ 1810 88	Oil Seal Stopper	2	2	
8	DJ 1810 87	Oil Seal	2	2	
9	DS 1810 70	Guide Bush	2	2	
10	DS 1810 72	Washer	2	2	
11	DM 1810 10	Washer	2	2	
12	JF 1510 36	Spacer Tube	2	2	
13	JF 1510 33	Fork Pipe Inner	2	2	
14	36 Jf00 31	Cylinder Complete Fork	2	2	
15	JF 1510 34	Spring Main Spring	2	2	
16	DH 1810 15	Fork Bolt	2	2	
17	30 1810 29	'O' Ring	2	2	
18	JF 1510 19	Upper Bracket	1	1	
19	JF 1210 04	Under Bkt Assly Complete	1	1	
20	DK 1810 25	Spring Washer	2	2	
21	DK 1810 28	Bolt	2	2	
22	DG 1810 08	Bolt - Socket	2	2	
23	JY 1510 11	Steering Top Bolt	1	1	
24	DK 2011 21	Front Reflect Reflector	2	-	For Argentina

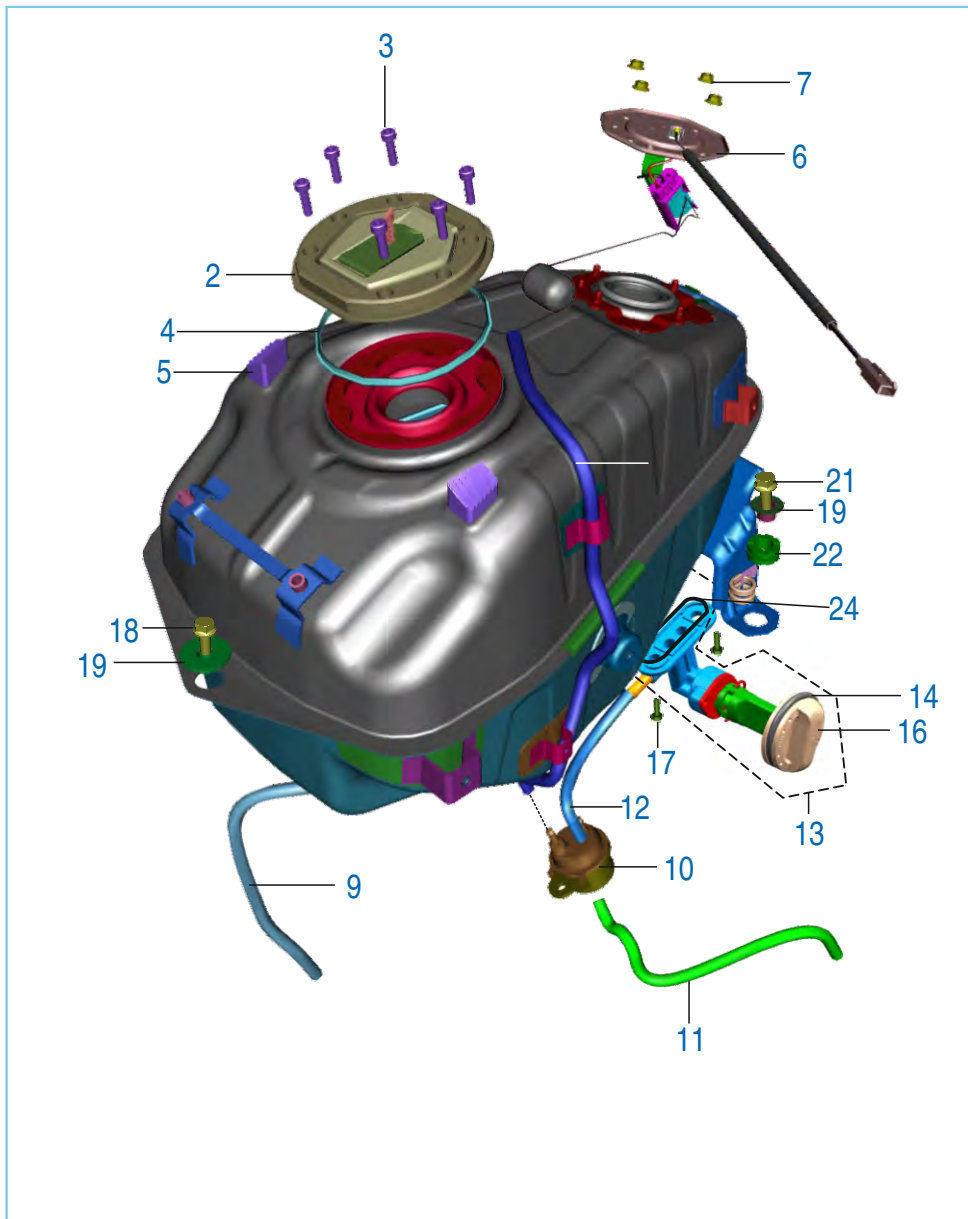


Radiator Covers



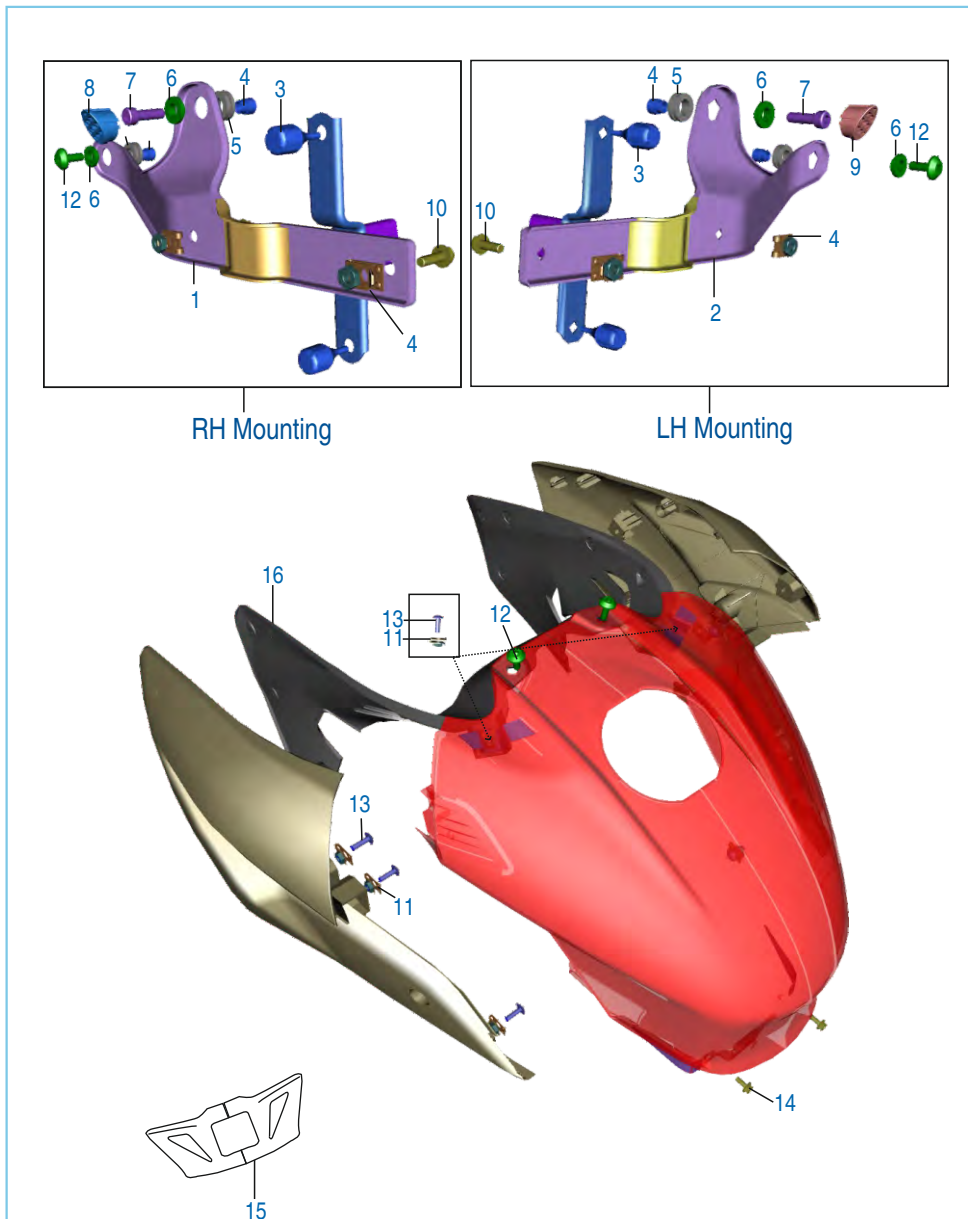
No.	Part No.	Description	Qty.		Remarks
			NS	AS	
1	JE 5810 47	Shroud Center	1	1	
2	KB Ua05 14	Screw Truss	4	4	
3	DJ 1612 29	Clip Nut	4	4	
4	JF 1812 16	Shroud LH	1	-	
	JF 1812 55	Shroud LH	-	1	
5	JF 1812 17	Shroud RH	1	-	
	JF 1812 56	Shroud RH	-	1	
6	KC Ba06 05	Nut Hex Thin	1	-	
7	39 0711 11	Plain Washer	1	-	
8	JL 1812 56	Grommet for Radiator Cowl	2	2	
9	JF 1138 22	Stud Horn Mtg Bracket	1	-	
10	JF 1138 24	Bracket Horn Mtg	1	1	
11	39 1944 04	Bolt Flange	-	1	
12	JW 1710 15	collar Spoiler Central	-	1	

Petrol Tank, Cap Tank and Gauge Fuel



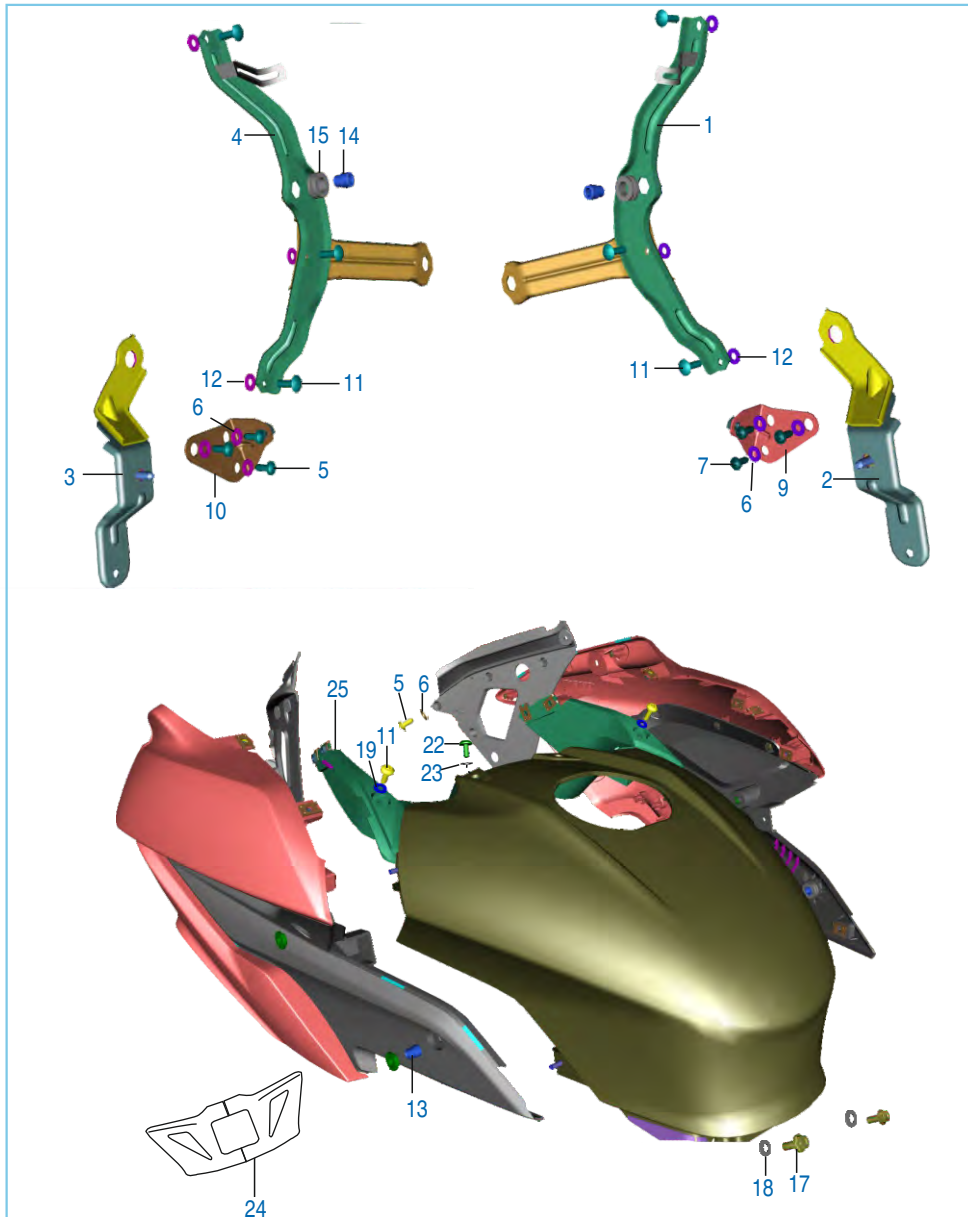
No.	Part No.	Description	Qty.		Remarks
			NS	AS	
1	JL 1710 81	Tank Assembly	1	1	
2	56 JL04 01	Cap Tank (Moon Light Silver)	1	1	
3	KA Cb05 16	Bolt Master	6	6	
4	JL 1710 49	Damper Ring Tank Cap	1	1	
5	36 JL00 12	Kit Tank Damper	1	1	
6	JL 4026 02	Sensor Fuel Level	1	1	
6A	DK 1410 28	'O' ring for Fuel Sensor	1	1	
7	KC GA05 05	Nut - Flange	4	4	
8	JL 1710 37	Breather Tube	1	1	
9	JL 1710 63	Pipe - Drain	1	1	
10	JL 1718 02	Filter Inline	1	1	
11	JL 1710 36	Tube Fuel (Carburettor)	1	1	
12	JL 1710 35	Tube Fuel (Tank)	1	1	
13	JL 1718 00	Tap Fuel Assembly	1	1	
14	JL 1710 60	O Ring-For Knob	1	1	
15	JL 1718 03	Pin Snap For Knob	1	1	
16	JL 1718 01	Knob Fuel Tap	1	1	
17	DD 1412 27	Bolt - Flanged	2	2	
18	KA DF08 20	Bolt Tank mtg Front	3	-	
	39 1946 04	Bolt Tank mtg Front	-	3	
19	JL 1710 19	Sleeve Tank Mtg Front	3	3	
20	JL 1710 18	Grommet Tank Mtg Front	1	1	N.I
21	KA DT08 20	Bolt	2	2	
22	JL 1710 20	Grommet Tank Mtg Rear	2	2	
23	JL 1710 85	Spring Fuel Tube	1	1	NI
24	JL 1710 96	Sealing Ring Fuel Cock	1	1	

Fittings - Petrol Tank Cover & Flap - Pulsar 150 NS



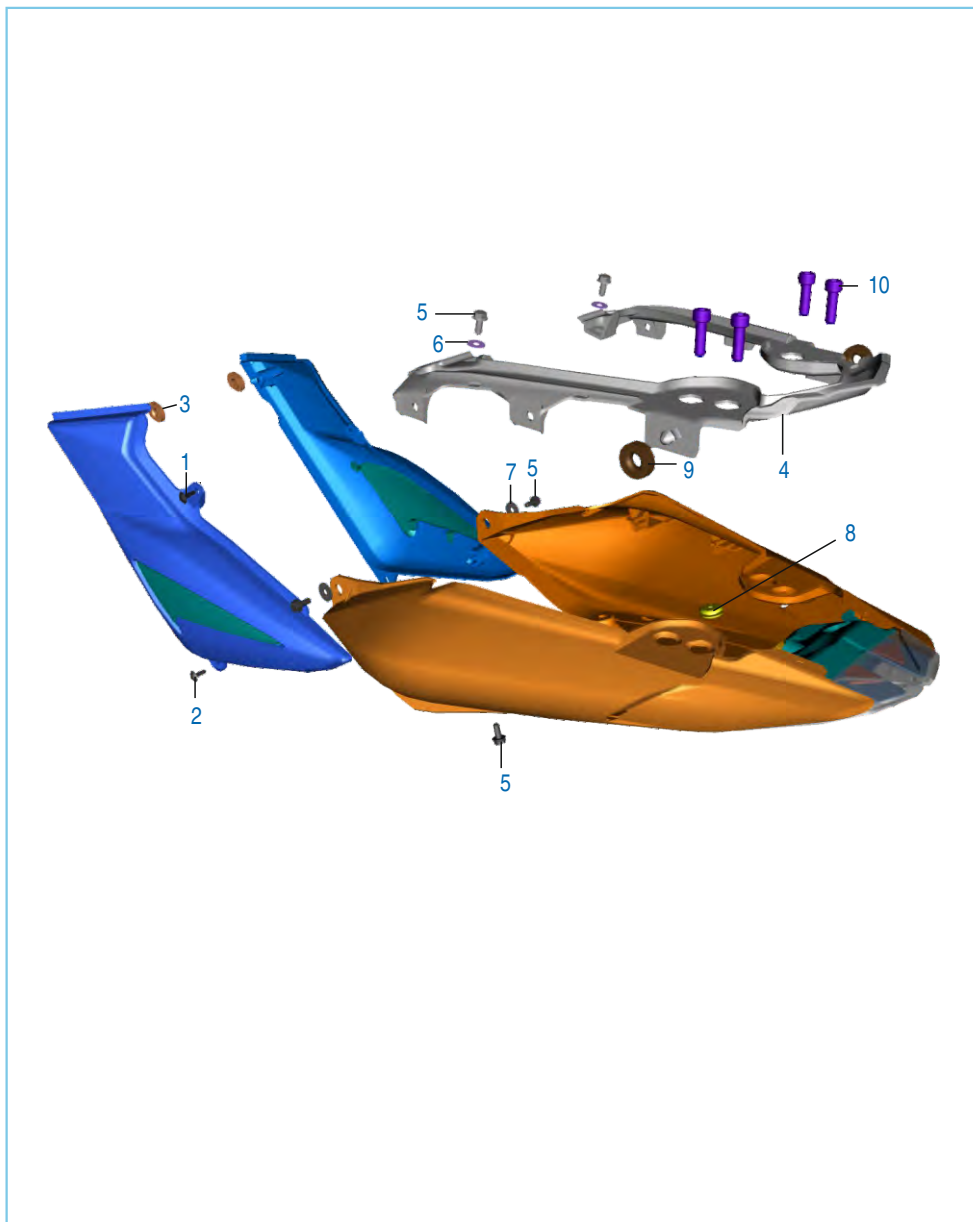
No.	Part No.	Description	Qty.		Remarks
			NS	AS	
1	JF 1710 04	Bracket Side Cover Mtg RH	1	-	
2	JF 1710 09	Bracket Side Cover Mtg LH	1	-	
3	JL 1710 57	Damper	4	-	
4	JL 1710 71	Tank Cover Mtg Sleeve	8	-	
5	JL 1710 24	Damper Structure Mtg	2	-	
6	JL 1710 70	Rubber Grommet	8	-	
7	LA C000 63	Bolt - Socket :- M6	2	-	
8	JL 1710 62	Cover Mesh Rh	1	-	
9	JL 1710 61	Cover Mesh LH	1	-	
10	KA DB05 16	Bolt Flanged	2	-	
11	DJ 1612 29	Clip Nut M5	16	-	
12	LA C000 22	Bolt Socket-Special Head	4	-	
13	KB UB05 16	Screw Truss	8	-	
14	KA DA05 12	Screw - Truss Cross : M5	2	-	
15	JL 1710 78	Pad Tank Cover	1	-	
16	JF 1710 01	Assy Tank Central Cover (k11)	1	-	

Fittings - Petrol Tank Cover & Flap - Pulsar AS 150



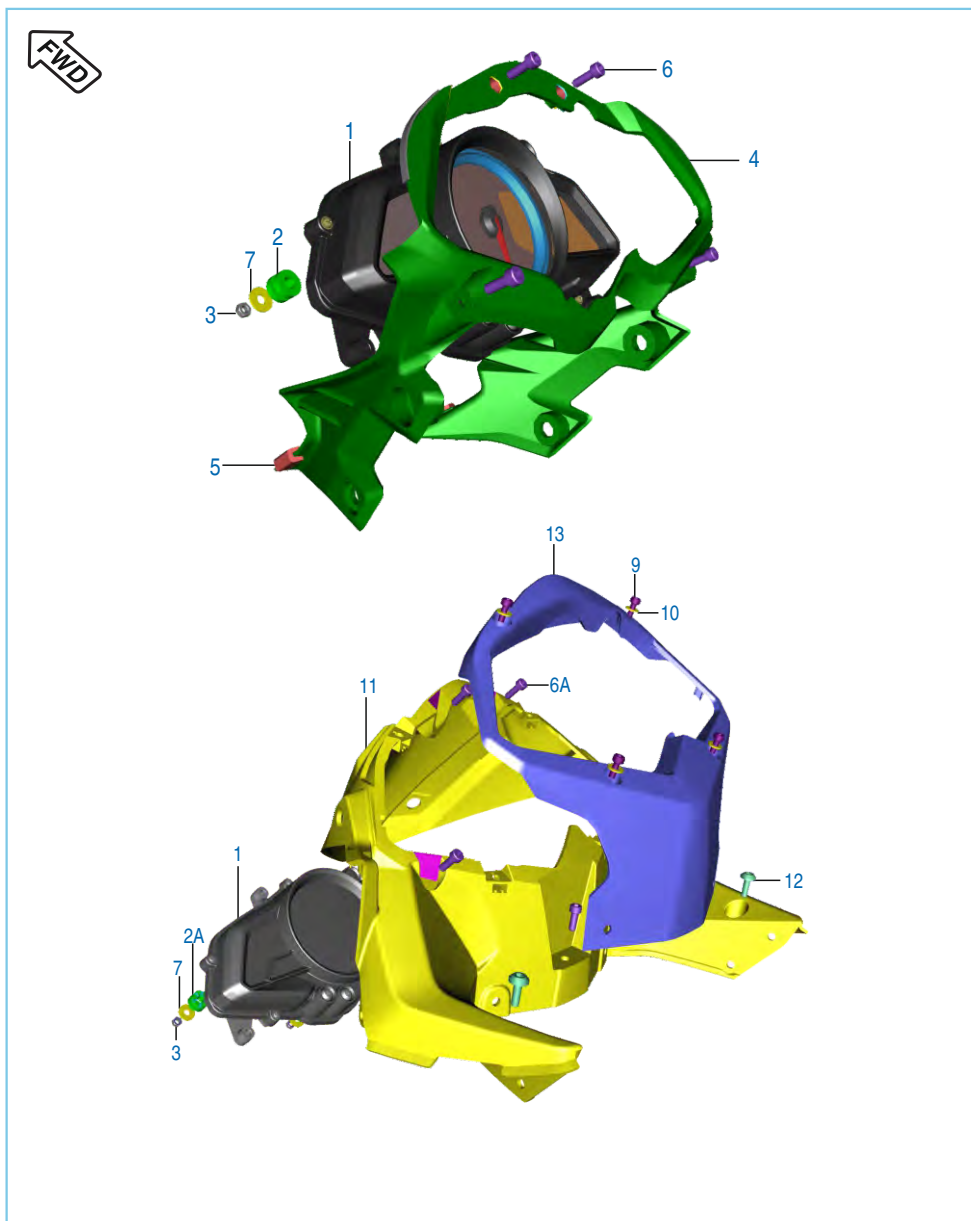
No.	Part No.	Description	Qty.		Remarks
			NS	AS	
1	JL 1814 49	Bracket Fairing Mounting LH	-	1	
2	JL 1814 47	Bracket Blinker Mounting LH	-	1	
3	JL 1814 48	Bracket Blinker Mounting RH	-	1	
4	JL 1814 50	Bracket Fairing Mounting RH	-	1	
5	39 1778 02	Screw	-	12	
6	KD AA04 08	Washer Plain	-	12	
7	LB R000 02	Screw Self Tapping	-	6	
8	KD BA05 12	Washer Plain	-	6	
9	JL 1814 56	Bracket Side Fairing Mtg LH	-	1	
10	JL 1814 57	Bracket Side Fairing Mtg RH	-	1	
11	LB U000 23	Screw Truss	-	9	
12	KD BA05 12	Washer Plain	-	3	
13	JL 1710 70	Tank Cover Grommet	-	2	
14	JL 1710 71	Tank Cover Mtg Sleeve	-	2	
15	JL 1710 24	Damper	-	4	N.I
16	KA DA06 30	Bolt Flanged	-	2	
17	KA DA05 12	Bolt Flanged	-	4	
18	KD BB05 12	Washer	-	2	
19	LA C000 63	Bolt Socket	-	2	
20	LA C000 34	Bolt M6	-	2	N.I
21	LD B000 23	Washer Plain	-	4	N.I
22	LA C000 22	Bolt Socket Head	-	2	
23	31 1610 78	Washer Nyloc	-	2	
24	JL 1710 78	Pad Tank Cover	-	1	
25	JL 1814 39	Cvr Tank Top Inner	-	1	

Fittings - Side Cover & Seat Cowl



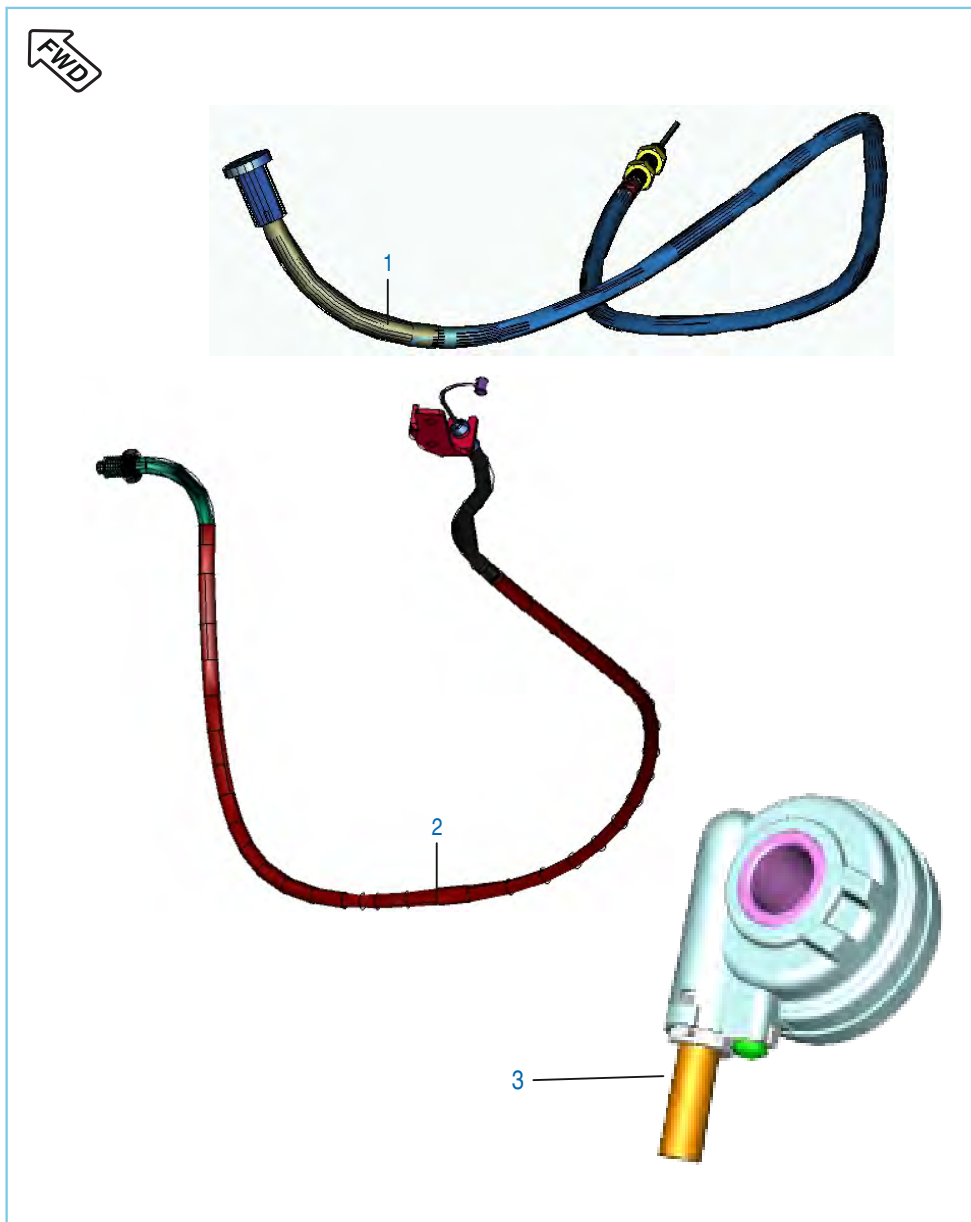
No.	Part No.	Description	Qty.		Remarks
			NS	AS	
1	JL 1812 88	Step Screw	2	2	
2	KB UA06 12	Screw Truss	2	2	
3	DS 1410 12	Grommet Side Cover	4	4	
4	JL 1812 14	Seal Cowl Inner	1	1	
5	KA DF06 14	Bolt Flanged	4	4	
6	LD B000 23	Washer Plain	2	2	
7	39 0722 11	Washer Plain	2	2	
8	DJ 2011 73	Grommet For Cable RR fender	2	2	
9	DH 1611 58	Grommet Side Cove Rear	2	2	
10	LA C000 35	Bolt Socket	4	4	

Meter Assembly



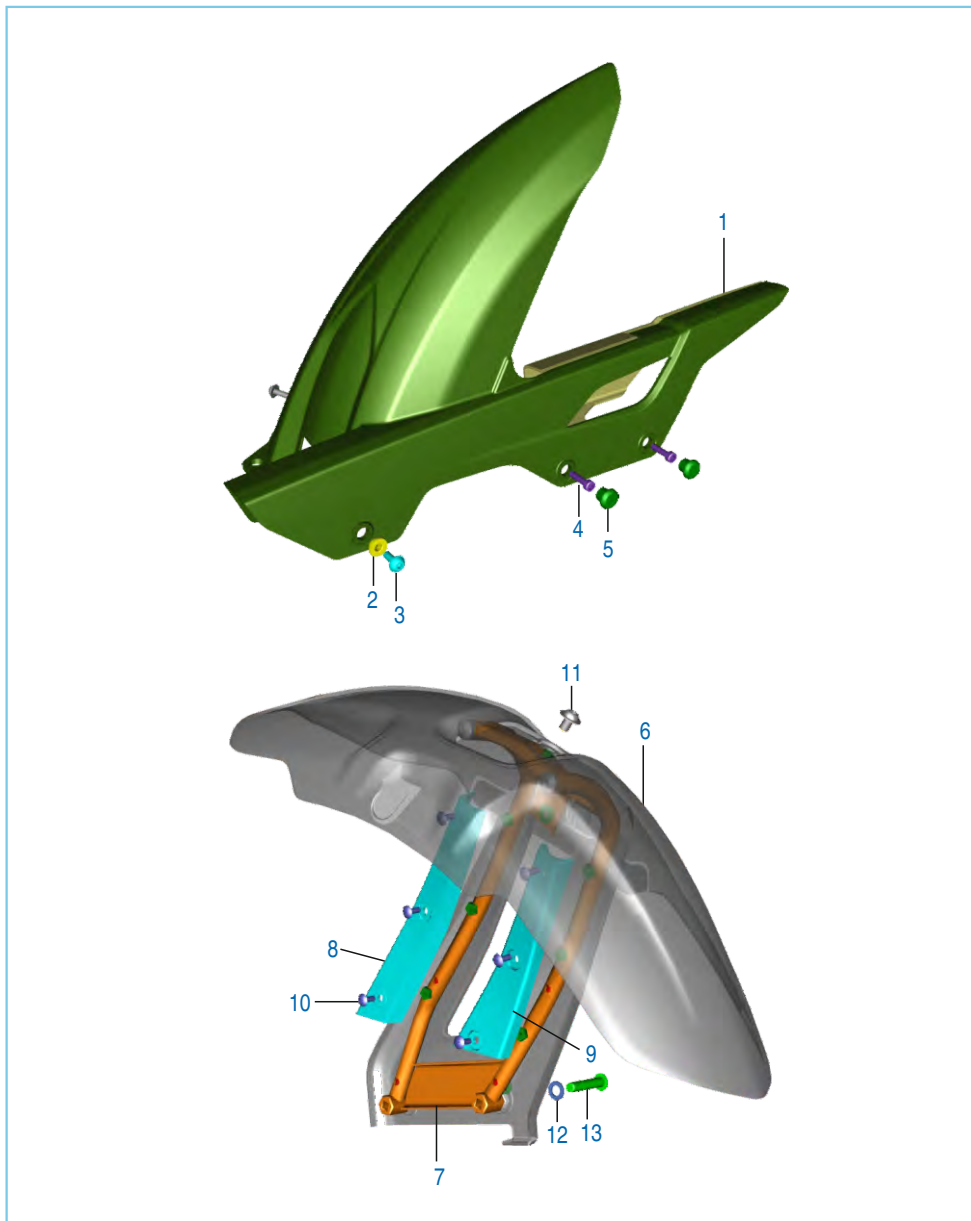
No.	Part No.	Description	Qty.		Remarks
			NS	AS	
1	JF 4024 00	Speedometer Assembly	1	1	
2	JG 1812 38	Grommet Dashboard	3	-	
2A	JL 1813 04	Grommet	-	3	
3	KC AA05 04	Nut - Hexagon :- M5 X 0.8	3	3	
4	JL 1812 41	Assembly Speedo Flap	1	-	
5	JB 1812 23	Beading Speedo Flap	2	2	
6	KA CB05 14	Bolt-Socket-Kac St-B Dia-05 L-14	4	-	
6A	LA C000 54	Bolt-Socket	-	4	
7	LD B000 07	Washer Plain	3	3	
8	JL 4024 03	Speedometer Harness	1	1	N.I
9	DT 1810 10	Bolt Socket	-	2	
10	KD Aa05 10	Washer Plain	-	4	
11	JL 1814 27	Speedo Flap	-	1	
12	JG 1812 59	Rivet Snap	-	4	
13	JL 1814 37	Canopy Speedo Flap	-	1	
14	YD T020 04	Speedo cover with Sealing Ring	-	1	

Control Cables



No.	Part No.	Description	Qty.		Remarks
			NS	AS	
1	JF 1612 02	Cable Throttle	1	-	
	JF 1612 06	Cable Throttle	-	1	
2	JF 1612 01	Cable Clutch	1	1	
3	DH 2010 79	Speed Sensor Cable With Case	1	-	N.I
	DH 2010 80	Speed Sensor Cable	1	-	N.I
	JF 4024 05	Speed Sensor Cable With Case	-	1	N.I
	JF 4024 04	Speed Sensor Cable	1	-	N.I
4	DJ 2010 52	Cable Assly Fr. Brake	1	1	N.I

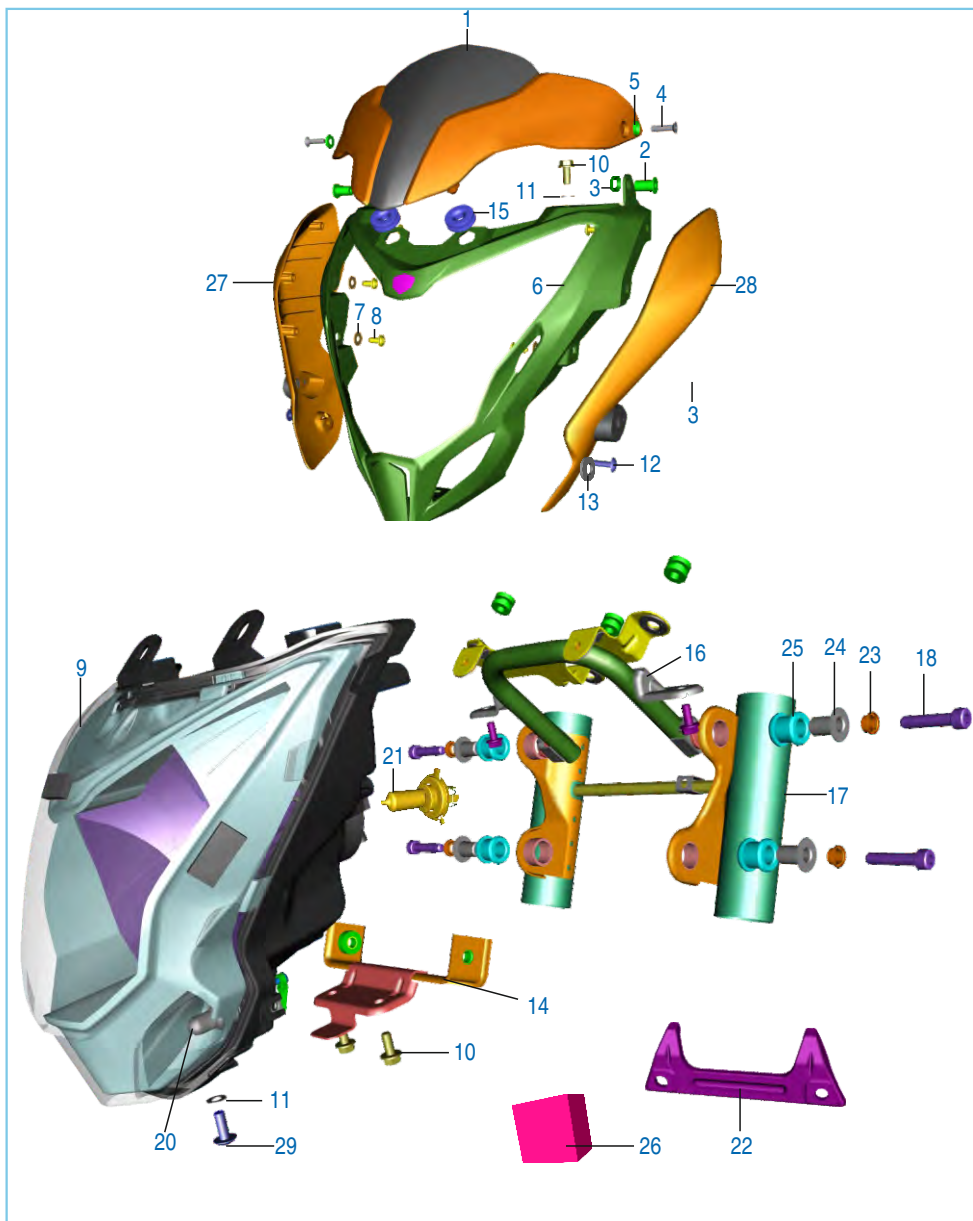
Chain Case



No.	Part No.	Description	Qty.		Remarks
			NS	AS	
1	JF 1812 11	Cover Assly Chain	1	1	
2	JL 1812 97	Collar	7	7	
3	LA C000 54	Bolt	7	7	
4	KA CB06 22	Bolt Socket	2	2	
5	JL 2312 09	Plug Saree Guard	2	2	
6	JF 1814 09	Hugger Rear	1	-	
7	JF 1810 05	Tube Rear Hugger Mtg	1	-	
8	JL 1814 07	Cover 1- Hugger Rear	1	-	
9	JL 1814 08	Cover 2- Hugger Rear	1	-	
10	KB UB04 10	Screw	6	-	
11	LA C000 37	Bolt Soc-special Head	3	-	
12	39 0265 12	Spring Washer	2	-	
13	LA C000 36	Bolt Special Socket	2	-	

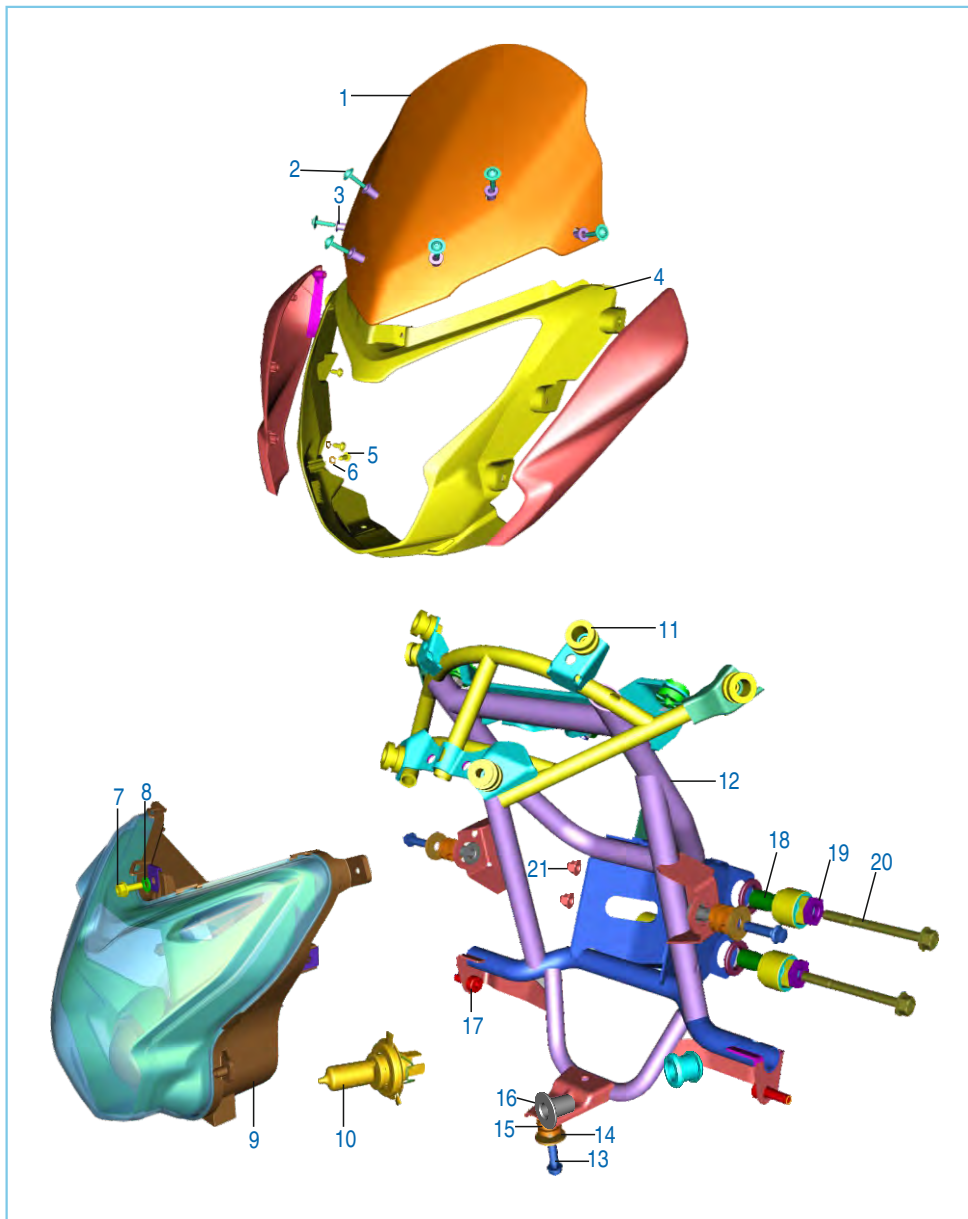


Head Lamp & Fairing - Pulsar 150 NS



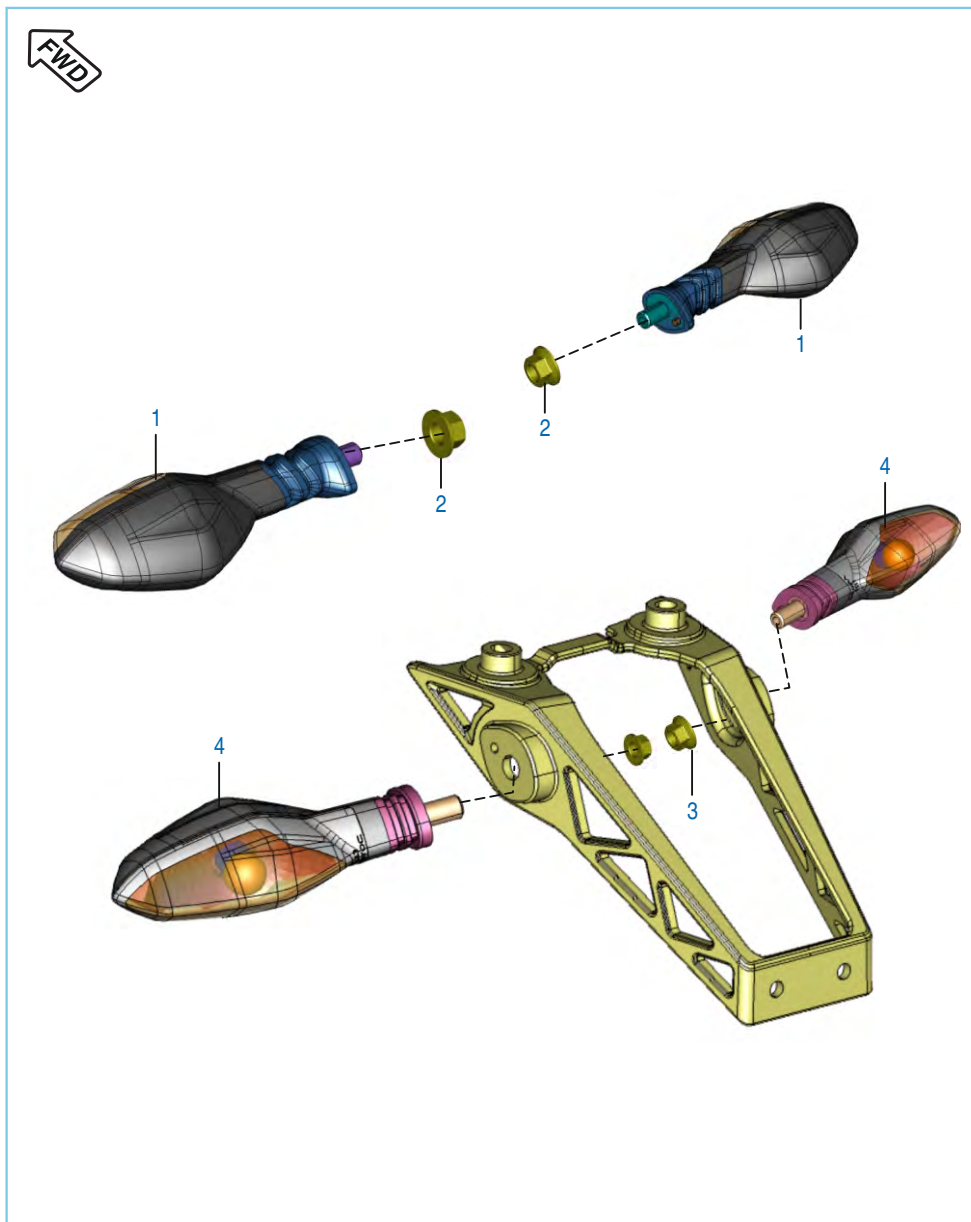
No.	Part No.	Description	Qty.		Remarks
			NS	AS	
1	JL 1810 08	Windshield Assembly	1	-	
2	JG 1812 36	Well Nut - M5 X 16 L	2	-	
3	JG 1812 35	Washer Special	2	-	
4	LB S000 02	Screw M5X20Lx4.8	2	-	
5	JL 1812 47	Grommet Wind Screen Mounting	2	-	
6	JL 1812 03	Fairing	1	-	
7	KD BA05 12	Washer Plain Small	6	-	
8	LB R000 02	Self Tapping Screw - Dia 5	6	-	
9	JL 4010 12	Head Lamp Assy	1	-	
10	KA DE06 14	Bolt - Flanged	2	-	
11	KD AA06 11	Washer - Plain	3	-	
12	KB UA05 16	Screw - Truss - M5 X 16L, 4.8	2	-	
13	39 2141 24	Washer	2	-	
14	JL 1812 36	Bracket Lower Mtg	1	-	
15	JL 1812 49	Damper Head Lamp	1	-	
16	JL 1812 37	Bracket Upper Mtg	1	-	
17	JF 1812 10	Lamp Shade assly.	1	-	
18	KA CH08 35	Bolt Pivot Mass Carrier	4	-	
19	36 JL00 17	Kit Wind Shield Mtg	1	-	
20	DH 1910 37	Bulb Pilot 12V 3W	2	-	
21	EC 4010 30	Head Lamp Bulb 60/55W (H4)	1	-	
22	JL 1812 83	Bracket Wind Shield	1	-	
23	JL 1812 57	collar Fairing	4	-	
24	PA 1812 93	Collar Fairing Mtg.	4	-	
25	PA 1812 92	Grommet Fairing Mtg.	4	-	
26	JL 1812 63	Foam Strip	1	-	
27	JL 1812 34	Side Mask RH	1	-	
28	JL 1812 33	Side Mask LH	1	-	
29	KB Ua06 16	Screw Truss	1	-	

Head Lamp & Fairing - Pulsar 150 AS



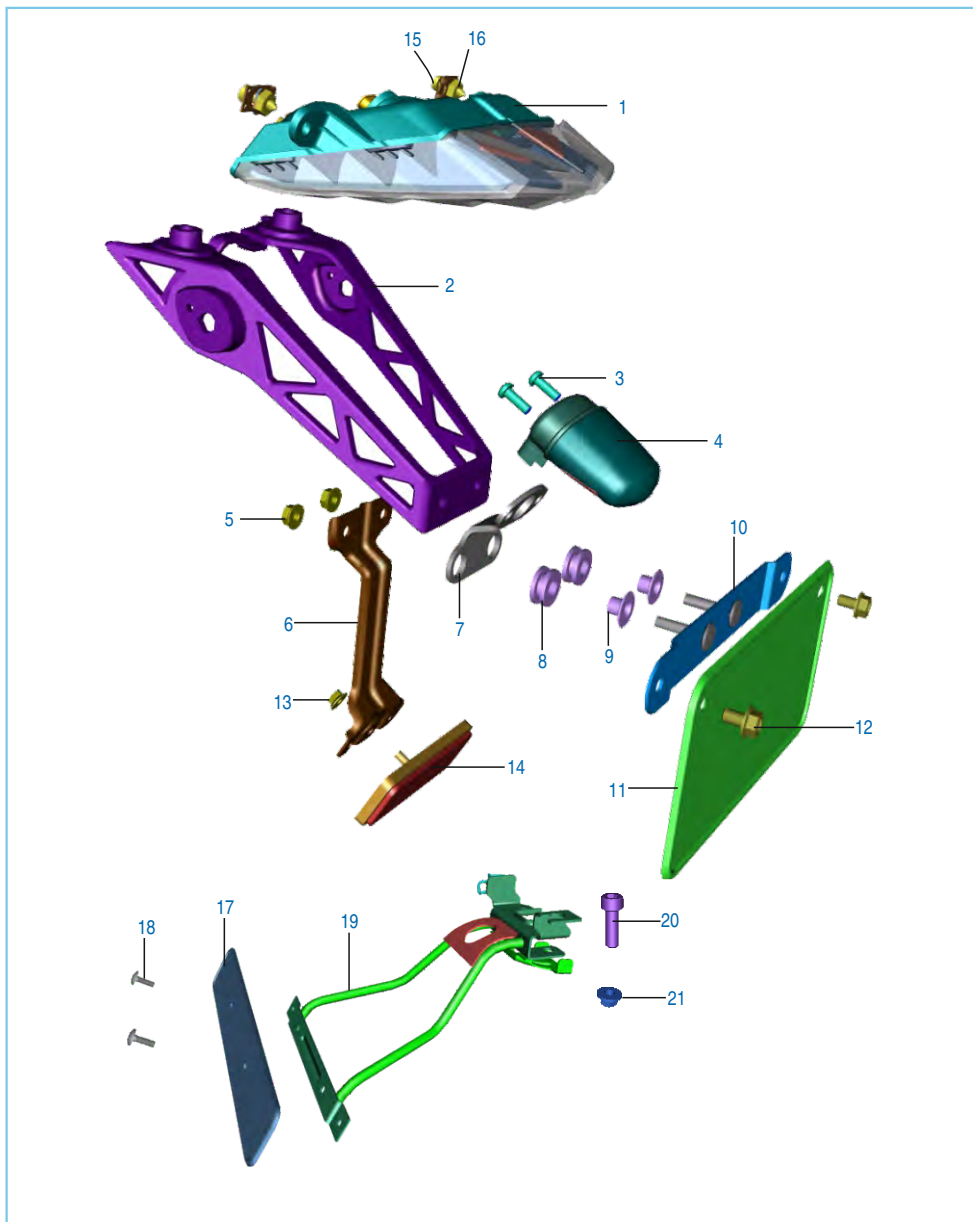
No.	Part No.	Description	Qty.		Remarks
			NS	AS	
1	JL 1814 26	Wind Shield	-	1	
2	LB U000 30	Screw Truss	-	7	
3	JL 1814 53	Collar Wind Shield	-	7	
4	JL 1814 17	Mask	-	1	
5	LB R000 02	Self Tapping Screw	-	10	
6	KD BA05 12	Washer Plain	-	10	
7	KA DC06 16	Bolt Flanged	-	1	
8	KD BA06 13	Washer Plain	-	1	
9	JL 4010 17	Headlamp Assly	-	1	
9A	YJ L060 04	Headlamp Assly w/o Bulb	-	1	
10	DK 2010 43	Headlamp Bulb 60/55 W	-	2	
11	JL 1812 45	Grommet	-	6	
12	JL 1814 16	Fairing Structure	-	1	
13	KA EG06 20	Bolt Flange	-	3	
14	39 0211 11	Washer Plain	-	3	
15	DJ 1810 64	Grommet Fairing Mtg	-	3	
16	DJ 1810 29	Collar Fairing Mtg	-	3	
17	JD 1718 01	Socket Head Bolt	-	2	
18	DT 1813 11	Spacer Fairing Structure Mtg	-	4	
19	DT 1813 10	Hex Thrust Washer	-	4	
20	LA D001 20	Bolt Flanged	-	2	
21	39 2535 15	Nut Dome Cap	-	2	
22	YJ L060 03	Head Lamp Harness	-	1	N.I
23	YJ L060 02	LH Position Lamp	-	1	N.I
24	YJ L060 01	RH Position Lamp	-	1	N.I

Indicator Light Assembly



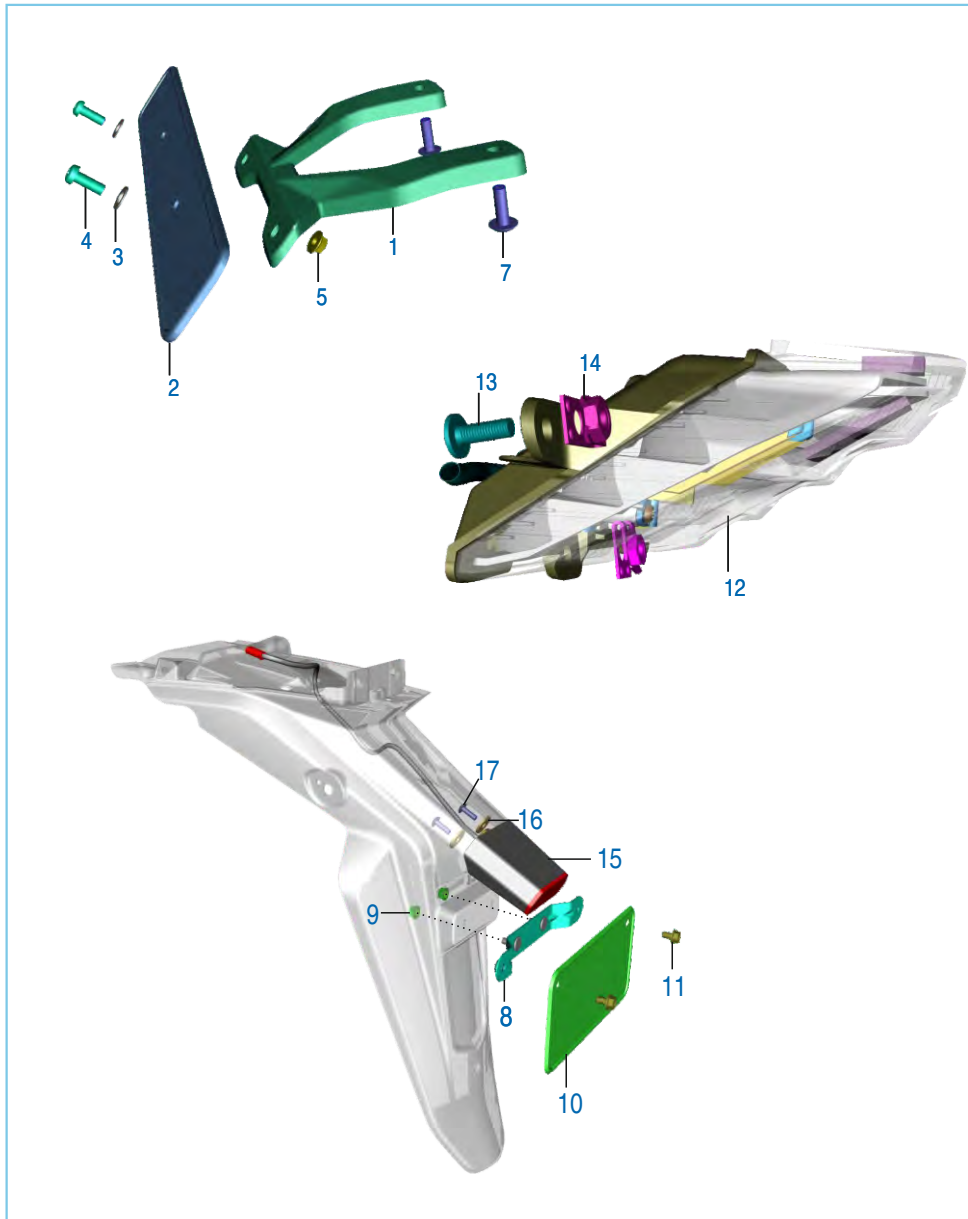
No.	Part No.	Description	Qty.		Remarks
			NS	AS	
1	JL 4010 06	Indicator Assy Front LH /RH	2	2	
2	39 1225 15	Nut-Hexagon with Flange:M10	2	2	
3	KC GD10 10	Nut	2	2	
4	JL 4010 04	Indicator Assy Rear LH /RH	2	2	

Tail Lamp Assly / Front Number Plate - 150 NS



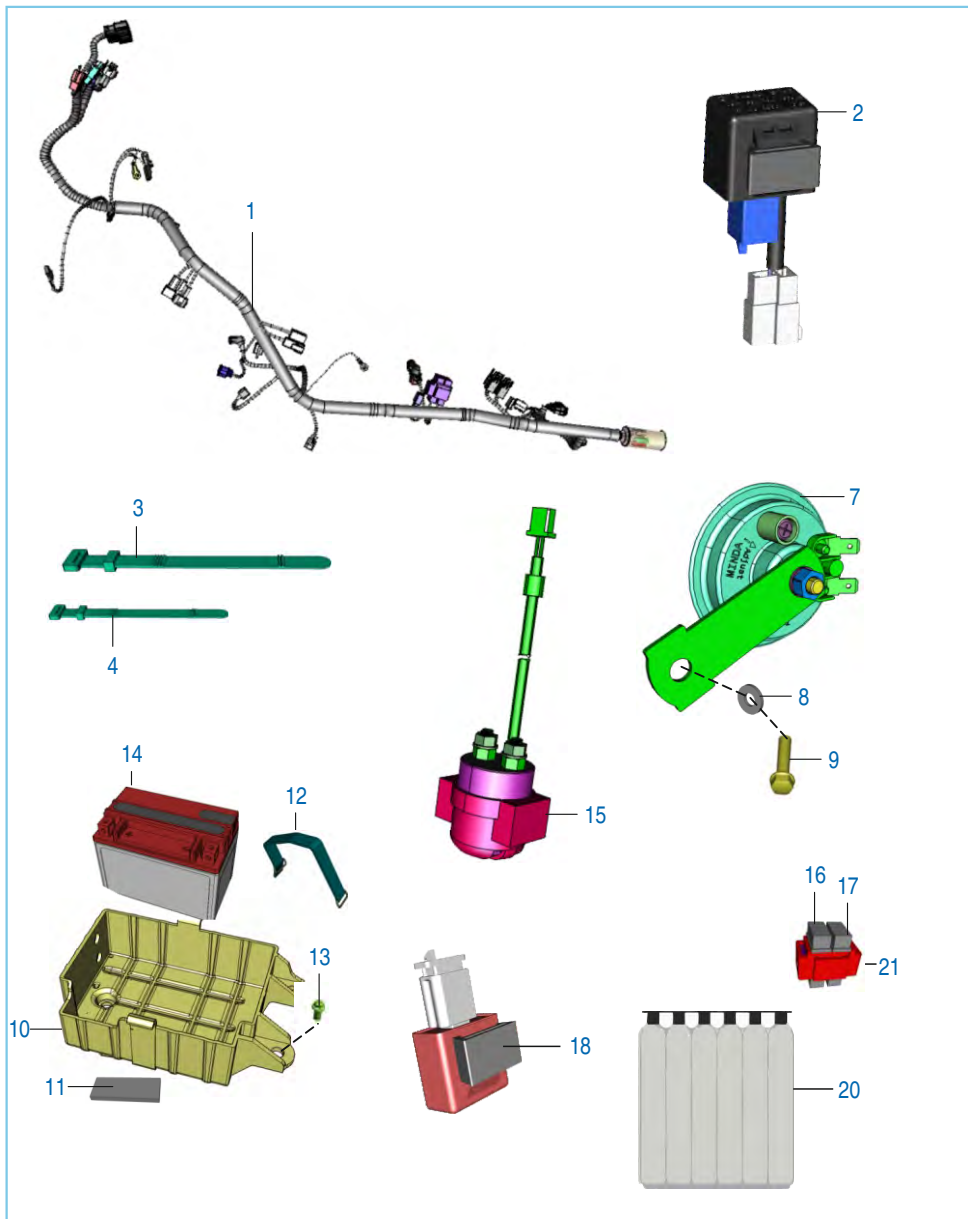
No.	Part No.	Description	Qty.		Remarks
			NS	AS	
1	JL 4010 02	Lamp Tail Assly	1	-	
2	56 JL02 3G	Bracket Rear Blinker Mtg	1	-	
3	KB BA05 14	Screw Pan Cross	2	-	
4	JD 4010 07	Rear Number Plate Lamp	1	-	
5	KC GD06 06	Nut Hex Flanged	2	-	
6	JL 1138 03	Bracket Reflector	1	-	
7	JL 1138 10	Bracket Number Plate Illumination	1	-	
	JL 1138 22	Bracket Number Plate Illumination	1	-	For Argentina
8	JL 1138 11	Grommet Illumination Bracket	2	-	
9	JL 11 3812	Sleeve	2	-	
10	JL 2328 08	Bracket RR Number Plate Mtg.	1	-	
11	DP 1611 45	Number Plate	1	-	
12	KA DD06 10	Bolt Flanged	2	-	
13	39 2484 15	Nut Hex Flanged	1	-	
14	DD 2010 02	Reflector	1	-	
15	39 1907 01	Screw Truss Cross	3	-	
16	DJ 1612 29	Nut Clip	3	-	
17	JU 2328 00	Front Number Plate	1	-	
18	LB U000 09	Screw Mushroom Head	2	-	
19	JL 2328 05	Bracket Number Plate	1	-	
20	59 0400 48	Bolt Socket	2	-	
21	LC A000 08	Nut	2	-	

Tail Lamp Assly / Front Number Plate - AS 150



No.	Part No.	Description	Qty.		Remarks
			NS	AS	
1	JL 2328 10	Bracket No Plate Front	-	1	
2	JU 2328 00	No. Plate Front	-	1	
3	39 2141 24	Washer None Metallic	-	2	
4	KB Ba05 14	Screw Pan Cross	-	2	
5	KC Ga05 05	Nut Hex	-	2	
6	JY 1812 84	Washer Nylon	-	2	
7	KB Uc06 25	Screw Truss	-	1	
8	JL 2328 11	Bracket No. Plate Mtg.	-	1	
9	LC G000 08	Nut Flanged	-	2	
10	DP 1611 45	Nut Flanged Rear	-	1	
11	KA Dd06 10	Bolt Flanged	-	2	
12	JL 4010 02	Tail Lamp	-	1	
13	39 1907 01	Screw	-	3	
14	DJ 1612 29	Clip Nut	-	3	
15	JF 4010 16	Lamp Rear Number Plate	-	1	
16	39 0211 11	Washer Plain	-	2	
17	KB Ua05 16	Screw Thrus	-	2	

Electrical Equipments



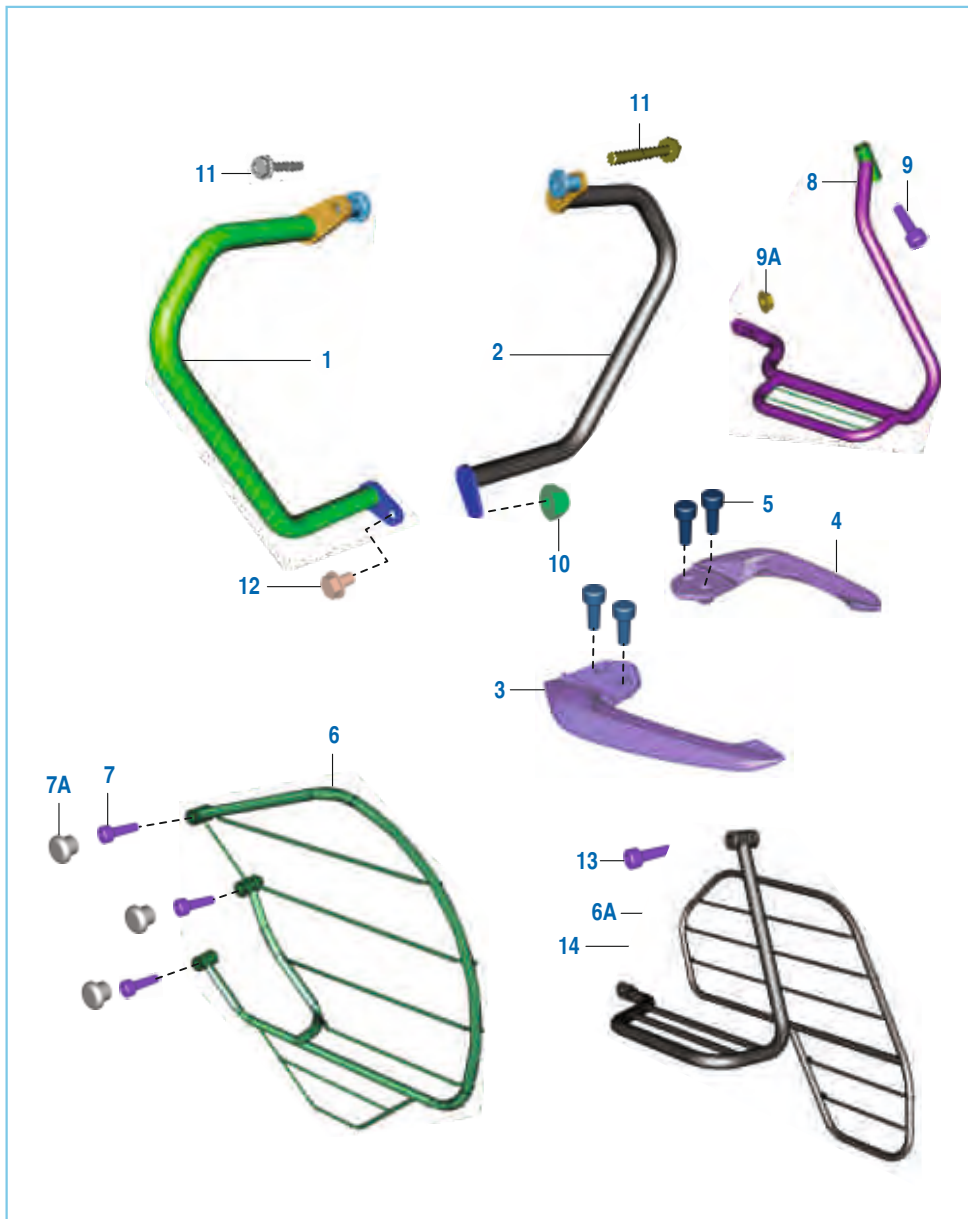
No.	Part No.	Description	Qty.		Remarks
			NS	AS	
1	JF 4022 03	Harness Wiring	1	-	Ref. Cir. IB-194 for Argentina
	JF 4022 09	Harness Wiring	-	1	
	JF 4022 17	Harness Wiring	-	1	
	JF 4022 22	Harness Wiring	1	-	
2	DT 4020 06	Light Control Module	1	1	
3	30 1910 48	Band	5	5	
4	30 2010 64	Band	3	3	
5	JL 4022 01	Cable Assy Relay To Motor	1	1	N.I.
6	JF 4022 01	Cable Earth	1	1	N.I.
7	PA 4016 00	Horn	1	1	
8	39 1507 11	Washer - Plain	1	1	
9	39 2205 04	Hex Head Bolt - Flanged M8	1	1	
10	JF 1812 53	Battery Case	1	1	
11	JG 4018 08	Foam Bottom Battery 6 & 8Ah	12	12	
12	JF 4018 02	Battery Band	1	1	
13	KA EM06 14	Bolt - Flanged	4	4	
	JL 1812 64	Sleeve	4	4	
14	JF 4018 07	VRLA Battery W/o acid Bottle	1	1	
15	JN 3516 04	Starter Relay- With Grommet	1	1	
16	AK 2010 12	Fuse 10A	1	1	
17	AP 2010 25	Fuse 15A	2	2	
18	DS 2010 25	Flasher D.C (Solid State)	1	1	
19	PA 4022 04	Band ( length 110 mm )	2	2	N.I
20	JF 4018 08	VRLA Dry only Acid Bottle	1	1	
21	JL 4022 04	Damper for Fuze Box	1	1	
22	36 JF00 43	Kit Battery	1	1	N.I

Tool Kit



No.	Part No.	Description	Qty.		Remarks
			NS	AS	
1	DJ 2210 19	Tool Kit	1	1	
2	DK 2210 24	Band Tool Kit	2	2	

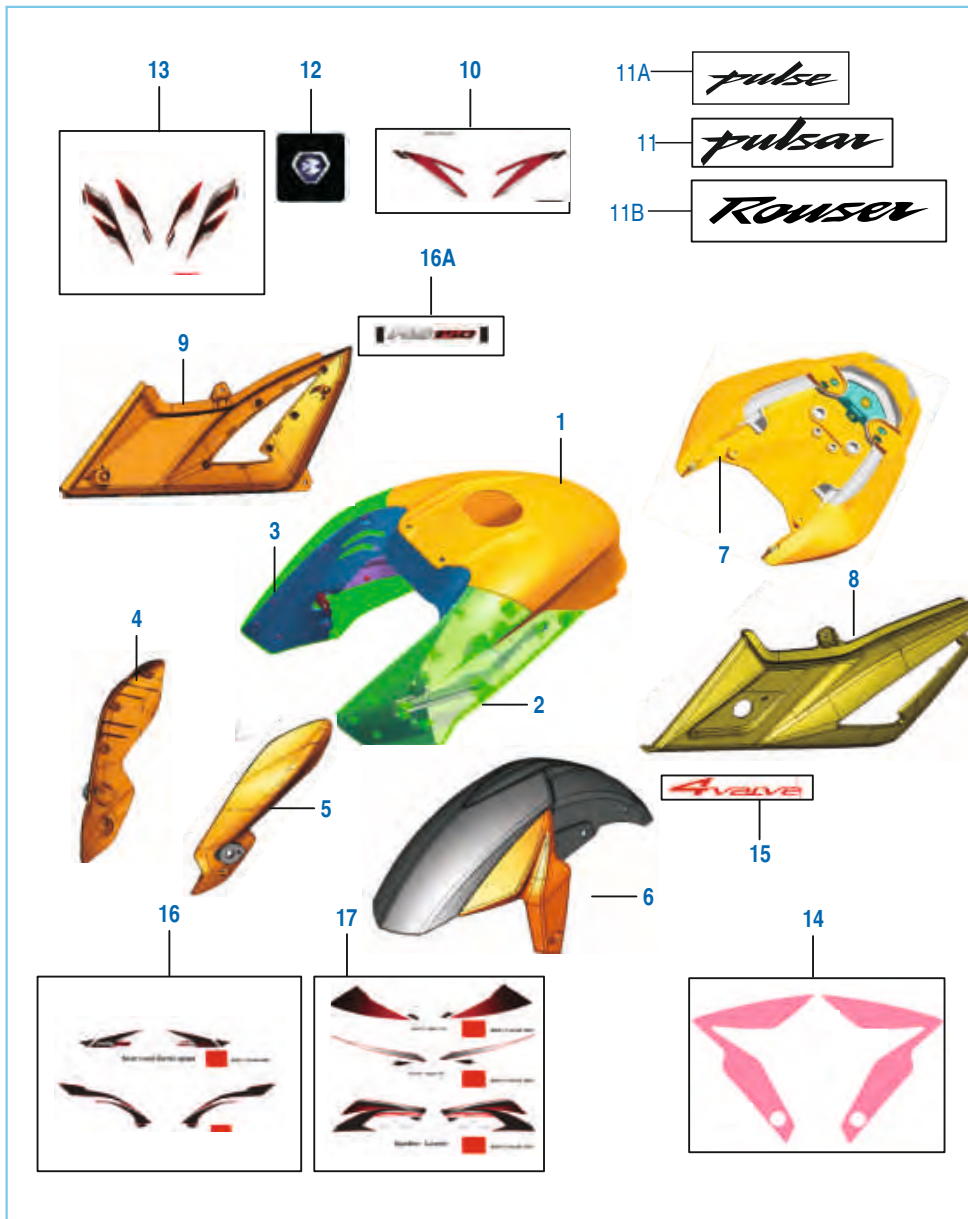
Accessories / Grab Handle



No.	Part No.	Description	Qty.		Remarks
			NS	AS	
1	JF 2312 01	Guard Leg LH	1	1	
2	JF 2312 02	Guard Leg Guard Rh	1	1	
3	JL 2314 04	Grab Handle Assy Lh	1	1	
4	JL 2314 05	Grab Handle Assy Rh	1	1	
5	LA C000 35	Bolt Socket M8 X 1.25	4	4	
6	JL 2312 02	Guard Saree	1	-	
6A	JF 2312 03	Guard Saree	-	1	
7	KA CB06 22	Bolt Socket L-22	3	-	
7A	JL 2312 09	Plug	3	-	
8	JL 2312 04	Ladies Foot Rest	1	-	
9	KA Cb08 30	Bolt	1	-	
9A	39 1225 15	Nut	1	-	
10	39 1970 15	Hex Nut	1	1	
11	39 1062 04	Bolt Socket	2	2	
12	KA DF08 85	Bolt Flanged	1	1	
13	KA CA08 50	Bolt	-	1	
14	39 1055 15	Nut	-	1	

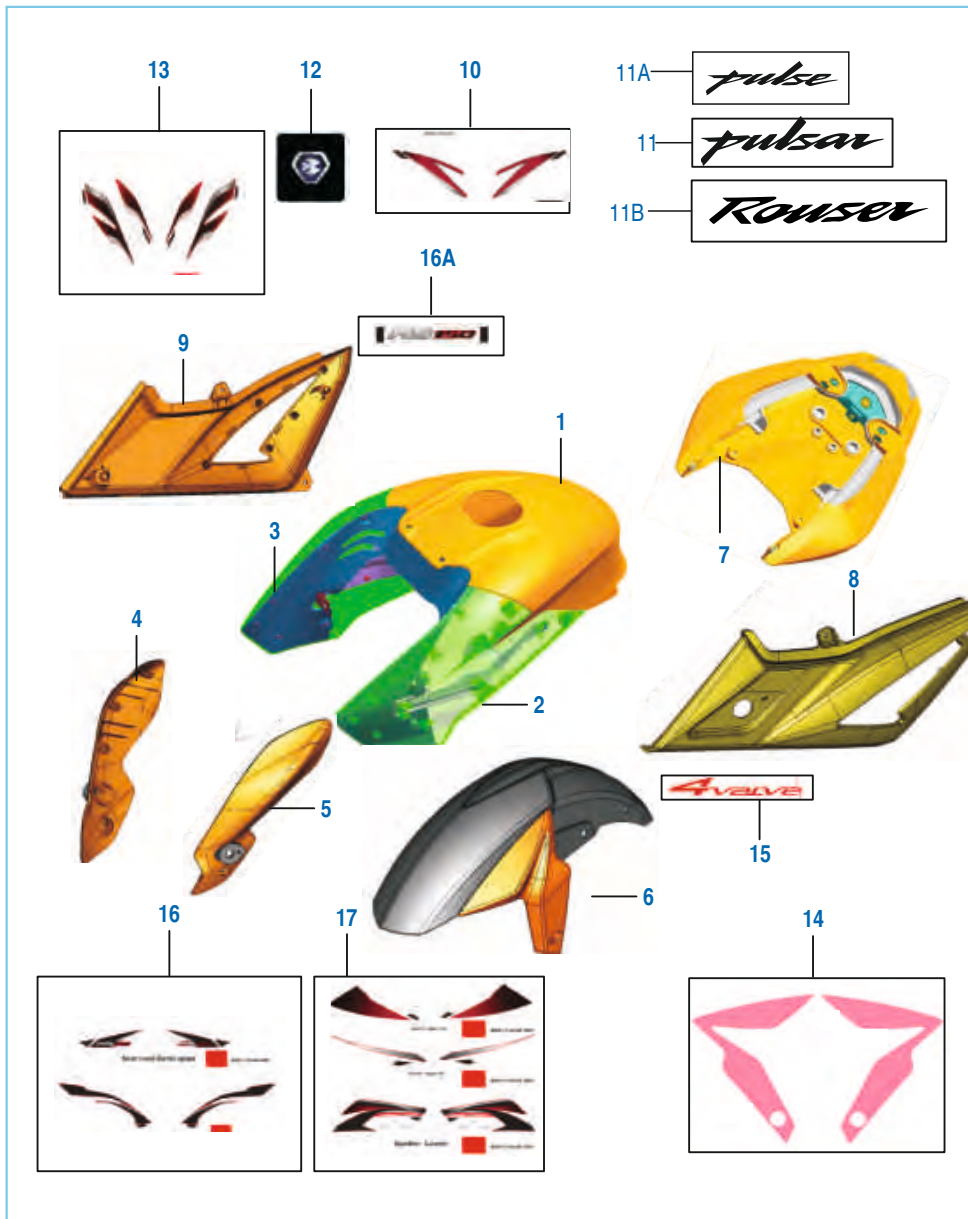


Painted Parts and Decals - Pulsar NS 150



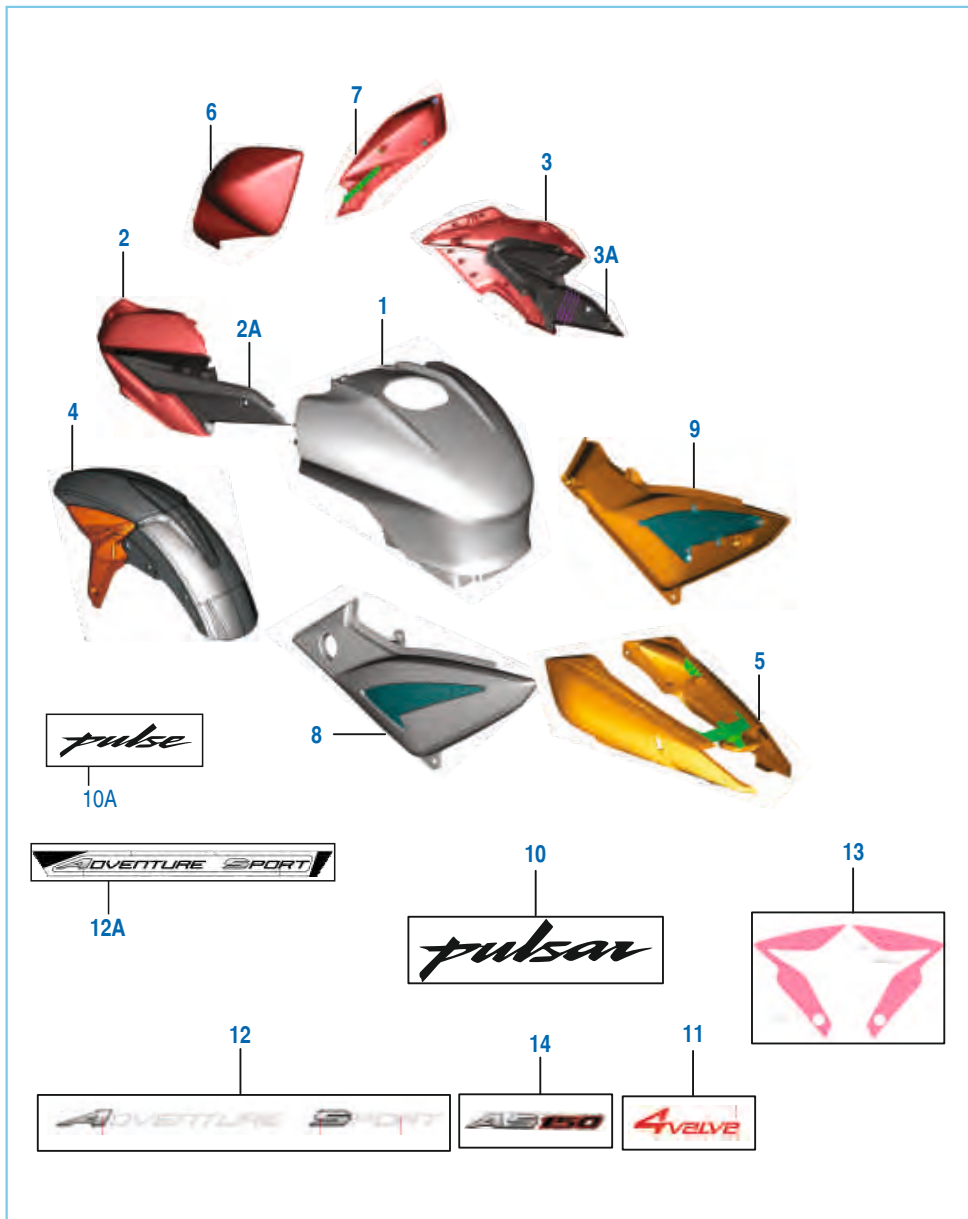
No.	Part No.	Description	Qty.		Remarks
			NS	AS	
1	56 JL22 X3	Tank Cover Top	1	-	common for all For Iran
	56 JL22 5Y	Tank Cover Top - Metallic White	1	-	
2	52 JL02 16	Tank Cover Side LH P Red	1	-	
	52 JL02 18	Tank Cover Side LH S Blue	1	-	
	52 JF00 74	Tank Cover Side LH E Black	1	-	
	52 JL02 20	Tank Cover Side LH M White	1	-	
3	52 JL02 17	Tank Cover Side RH P Red	1	-	
	52 JL02 19	Tank Cover Side RH S Blue	1	-	
	52 JF00 78	Tank Cover Side RH E Black	1	-	
	52 JL02 21	Tank Cover Side RH M White	1	-	
4	52 JL01 92	Side Msk LH E Black	1	-	
	52 JL01 94	Side Msk LH P Red	1	-	
	52 JL01 96	Side Msk LH S Blue	1	-	
	52 JL01 98	Side Msk LH M White	1	-	
5	52 JL01 91	Side Msk RH E Black	1	-	
	52 JL01 93	Side Msk RH P Red	1	-	
	52 JL01 95	Side Msk RH S Blue	1	-	
	52 JL01 97	Side Msk RH M White	1	-	
6	52 JF00 51	Front Fender Blue	1	-	
	52 JL03 39	Front Fender Black	1	-	
	52 JF00 49	Front Fender Red	1	-	
	52 JF01 10	Front Fender M White	1	-	

Painted Parts and Decals - Pulsar NS 150



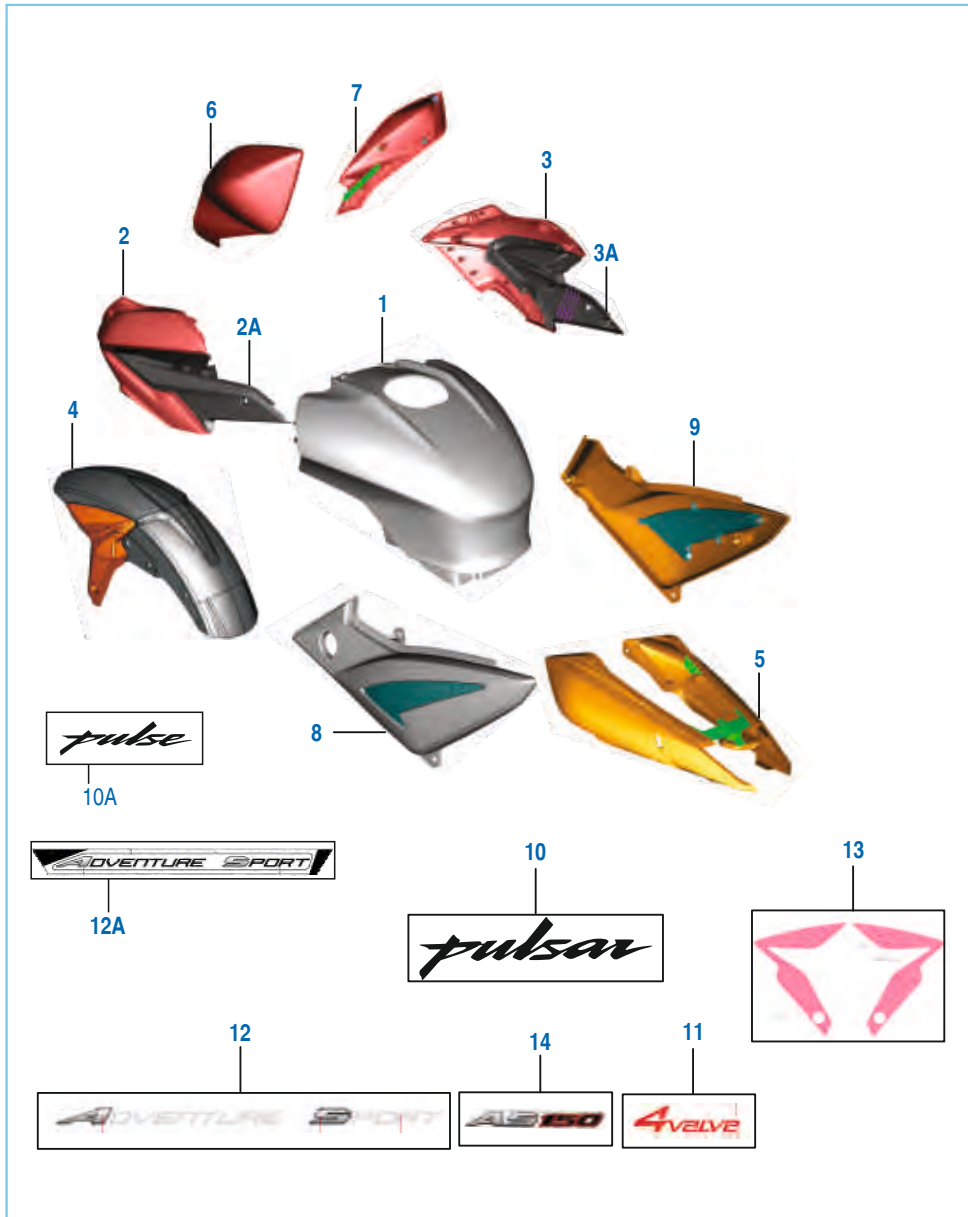
No.	Part No.	Description	Qty.		Remarks
			NS	AS	
7	52 JF00 80	Seat Cowl - Blue	1	-	
	52 JF00 82	Seat Cowl - Black	1	-	
	52 JF00 81	Seat Cowl - Red	1	-	
	52 JF00 83	Seat Cowl - M White	1	-	
8	52 JL00 54	Cover Side LH Assly	1	-	
	52 JL00 55	Cover Side RH Assly	1	-	
	36 JL00 53	Kit Dcl Tank Lower P Red	1	-	
10	36 JL00 52	Kit Dcl Tank Lower S Blue	1	-	
	36 JL00 68	Kit Dcl Tank Lower M White	1	-	
	JL 2330 03	3D Decal Tank LH/RH	2	-	
11	JL 2332 39	3D Decal Silver	2	-	w.e.f May'16
	11A JL 2331 85	3D Decal Tank LH/RH	2	-	
11B	JL 2330 17	3D Tank Decal Set Rouser	1	-	For Argentina
12	JL 2330 02	'B' logo	1	-	
13	36 JL00 49	Kit Dcl Fairing P Red	1	-	
	36 JL00 48	Kit Dcl Fairing S Blue	1	-	
	36 JL00 63	Kit Dcl Fairing M White	1	-	
14	36 JF00 12	Kit Dcl Fender P Red	1	-	
	36 JF00 11	Kit Dcl Fender S Blue	1	-	
	36 JF00 13	Kit Dcl Fender E Black	1	-	
	36 JF00 14	Kit Dcl Fender M White	1	-	
15	JL 2330 05	Decal Side Cover 4 Valve	2	-	
16	36 JF00 08	Kit Dcl S Cowl P Red	1	-	
	36 JF00 10	Kit Dcl S Cowl S Blue	1	-	
	36 JF00 09	Kit Dcl S Cowl M White	1	-	
16A	JF 2330 18	Dcl S Cowl E Black	1	-	
17	36 JL00 54	Kit Dcl Spoiler P Red	1	-	
	36 JL00 55	Kit Dcl Spoiler S Blue	1	-	
	36 JL00 67	Kit Dcl Spoiler M White	1	-	

Painted Parts and Decals - Pulsar AS 150



No.	Part No.	Description	Qty.		Remarks
			NS	AS	
1	56 JL22 4R	Tank Cover Top P Red	-	1	
	56 JL22 5N	Tank Cover Top S Blue	-	1	
	56 JL22 X3	Tank Cover Top E Black	-	1	
2	52 JL03 52	Side Fairing Front LH Red	-	1	
	52 JL03 53	Side Fairing Front LH Blue	-	1	
	52 JL03 54	Side Fairing Front LH Black	-	1	
2A	56 JL66 4X	Side Fairing Rear RH Black	-	1	
3	52 JL03 49	Side Fairing Front RH Red	-	1	
	52 JL03 50	Side Fairing Front RH Blue	-	1	
	52 JL03 51	Side Fairing Front RH Black	-	1	
3A	56 JL67 4X	Side Fairing Rear LH Black	-	1	
4	52 JF00 69	Fender with P Red Dcl	-	1	
	52 JF00 70	Fender with S Blue Dcl	-	1	
	52 JF00 71	Fender with Black Dcl	-	1	
5	52 JF00 66	Seat Cowl P Red	-	1	
	52 JF00 67	Seat Cowl Blue	-	1	
	52 JF00 68	Seat Cowl Black	-	1	
6	56 JI14 4R	Side Mask LH P Red	-	1	
	56 JI14 5N	Side Mask LH S Blue	-	1	
	56 JI14 X3	Side Mask LH E Black	-	1	
7	56 JI15 4R	Side Mask RH P Red	-	1	
	56 JI15 5N	Side Mask RH S Blue	-	1	
	56 JI15 X3	Side Mask RH E Black	-	1	

Painted Parts and Decals - Pulsar AS 150



No.	Part No.	Description	Qty.		Remarks
			NS	AS	
8	52 JI00 54	Cover Side LH Assly	-	1	w.e.f May'16
9	52 JL00 55	Cover Side RH Assly	-	1	
10	JL 2330 03	3D Decal Tank	-	2	
	JL 2332 39	3D Decal Silver	-	2	
11	JL 2330 05	Decal Side Cover 4 Valve	-	2	
12	JL 2331 53	Decal Adventure	-	2	
13	36 JF00 28	Kit Decal Fender P Red	-	1	
	36 JF00 30	Kit Decal Fender S Blue	-	1	
	36 JF00 13	Kit Decal Fender Black	-	1	
	36 JF00 14	Kit Decal Fender M White	-	1	
14	JF 2330 21	Seat Cowl Decal	-	2	

## Exclusive Part List - Iran

Page no.	Fig. no.	Part No.	Description	Model
108	1	56JL225Y	Tank Cover Top - Metallic White	NS
110	11A	JL233185	3D Decal Tank LH/RH	NS

## Exclusive Part List - Argentina

Page no.	Fig. no.	Part No.	Description	Model
4	15	JE581428	Clamp Carburetor Duct	NS
72	18	JF232604	Lock Set 3 In 1	NS
72	21	JL401401	Switch Control RH	NS
74	24	DK201121	Front Reflect Reflector	NS
98	7	JL113822	Bracket Number Plate Illumination	NS
102	1	JF402222	Harness Wiring	NS
110	11B	JL233017	3D Tank Decal Set Rouser	NS

# Kit List

Sr No	Kit Part No.	Kit Description	Consisting of Following Parts		
			Part No.	Description	Qty/Kit
1	36JF0001	KIT ASSLY CYL HEAD	JE511024	HEAD CYLINDER MACHINED K11	1
			39166005	STUD - M8	2
			JE511052	NOZZLE HEAD - K11	1
			JB511018	SLEEVE SPARK PLUG	1
			39260801	SCREW - GRUB :- M5 X 0.8 X 7	1
			39128321	RING - O	1
			39262921	O-RING	1
2	36JF0002	KIT ASSLY BLOCK-PISTON	JE521026	CYLINDER BLOCK K11	1
			JE521210	ASSEMBLY PISTON K11	1
3	36JF0003	KIT ASSLY MAGNETO	JE541237	COVER MAGNETO K11	1
			JV541207	CAP TDC FINDER	1
			JL541223	LABEL B-BAJAJ	1
			JA541005	BUSH BENDIX	1
4	36JF0004	KIT ASSLY CL COVER	JE541236	COVER CLUTCH SIDE K11	1
			JE541232	PLUG CLUTCH COVER K11	1
			JE541267	LABEL CLUTCH COVER K11	1
5	36JF0005	KIT CHAIN GUIDE	JE541032	CHAIN GUIDE SLACK SIDE K11	1
			JE521021	CHAIN GUIDE TIGHT SIDE K11	1
6	36JF0006	KIT CHAIN SPROCKET	JF141000	CHAIN O RING TYPE (K11)	1
			JZ141005	SPROCKET REAR-45 T	1
			JV551000	SPROCKET OUTPUT (15T)	1
7	36JF0031	KIT CYL COMP FORK-K11	JF151035	SEAT PIPE	1
			30181020	PISTON RING	1
			JZ121013	CAP OIL LOCK	1
			DM181008	REBOUND SPRING	1
8	36JF0007	KIT BOSS KICK	JE621205	BOSS KICK LEVER K11	1
			JZ621203	SPRING KICK LEVER	1
			30101236	BALL STEEL	1
			22150241	WASHER - PLAIN	1
			30101235	PIN	1
			39085517	E-TYPE CIRCLIP	1
9	36JF0025	KIT VALVE REPAIR	JD511203	SEAT VALVE SPRING	2
			39201719	SEAL VALVE STEM	2
			JE511216	SPRING VALVE -K11	2
			JD511205	RETAINER VALVE SPRING	2
			DG101029	COTTER VALVE	4

# Kit List

Sr No	Kit Part No.	Kit Description	Consisting of Following Parts		
			Part No.	Description	Qty/Kit
10	36JF0026	KIT PISTON RING	JZ521204	RING TOP PISTON DIA 56	1
			JE521213	RING 2ND K11	1
			JZ521206	RING OIL PISTON DIA 56	1
11	36JF0027	KIT ASSLY CRANKCASE LH K11	JE541022	CRANKCASE MAGNETO SIDE K11	1
			59200036	6203 HN3 C3 BALL BEARING	1
			39171519	OIL SEAL 22X35X7	1
			39256220	NEEDLE ROLLER BRG.	1
			JA541005	BUSH BENDIX	1
			39219019	OIL SEAL	1
			JZ541005	NOZZLE OIL JET	1
			12	36JF0029	KIT ASSLY CCASE RH K11
59200036	6203 HN3 C3 BALL BEARING	1			
39256220	NEEDLE ROLLER BRG.	1			
PF541018	BUSHING DRUM BM150 4 SPD	1			
BA102004	PLUG	1			
JY541038	BUSH	1			
13	36JF0009	KIT S COWL DCL M WHITE			
			14	36JF0008	KIT S COWL DCL P RED
JF233001	SEAT COWL LOWER DECAL RH	1			
JF233002	SEAT COWL UPPER DECAL LH	1			
JF233003	SEAT COWL UPPER DECAL RH	1			
15	36JF0009	KIT S COWL DCL M WHITE	JF233006	SEAT COWL LOWER DECAL LH	1
			JF233007	SEAT COWL LOWER DECAL RH	1
			JF233008	SEAT COWL UPPER DECAL LH	1
			JF233009	SEAT COWL UPPER DECAL RH	1
16	36JF0010	KIT S COWL DCL S BLUE	JF233012	SEAT COWL DECAL LH	1
			JF233013	SEAT COWL LOWER DECAL RH	1
			JF233014	SEAT COWL DECAL UPPER LH	1
			JF233015	SEAT COWL DECAL UPPER RH	1
17	JF233018	KIT S COWL DCL E BLACK	JF233018	SEAT COWL DECAL UPPER	2
			18	36JF0011	KIT FENDER DCL S BLUE
JF233017	FENDER DECAL RH	1			
19	36JF0012	KIT FENDER DCL P RED	JF233004	FENDER DECAL LH	1
			JF233005	FENDER DECAL RH	1
20	36JF0013	KIT FENDER DCL E BLACK	JF233019	FENDER DECAL LH	1

# Kit List

Sr No	Kit Part No.	Kit Description	Consisting of Following Parts		
			Part No.	Description	Qty/Kit
21	36JF0014	KIT FENDER DCL M WHITE	JF233020	FENDER DECAL RH	1
			JF233010	FENDER DECAL LH	1
			JF233011	FENDER DECAL RH	1
22	36JF0028	KIT FENDER DCL P RED-K16B	JF233023	FENDER DECAL LH	1
			JF233024	FENDER DECAL RH	1
23	36JF0030	KIT FENDER DCL S BLUE-K16B	JF233025	FENDER DECAL LH	1
			JF233026	FENDER DECAL RH	1
24	36JL0026	KIT FAIRING DCL-BLACK	JL233000	DECAL FAIRING LH	1
			JL233001	DECAL FAIRING RH	1
25	36JL0049	KIT DCL FAIRING-P RED	JL233077	FAIRING UPPER DECAL LH	1
			JL233078	FAIRING UPPER DECAL RH	1
			JL233079	FAIRING LOWER DECAL LH	1
			JL233080	FAIRING LOWER DECAL RH	1
26	36JL0063	KIT DCL FAIRING-M WHITE	JL233093	FAIRING UPPER DECAL LH	1
			JL233094	FAIRING UPPER DECAL RH	1
			JL233095	FAIRING LOWER DECAL LH	1
			JL233096	FAIRING LOWER DECAL RH	1
27	36JL0048	KIT DCL FAIRING-S BLUE	JL233109	FAIRING UPPER DECAL LH	1
			JL233110	FAIRING UPPER DECAL RH	1
			JL233111	FAIRING LOWER DECAL LH	1
			JL233112	FAIRING LOWER DECAL RH	1
28	36JL0054	KIT DCL SPOILER-P RED	JL233083	SPOILER UPPER DECAL LH	1
			JL233084	SPOILER UPPER DECAL RH	1
			JL233085	SPOILER LOWER DECAL LH	1
			JL233086	SPOILER LOWER DECAL RH	1
29	36JL0067	KIT DCL SPOILER-M WHITE	JL233099	SPOILER UPPER DECAL LH	1
			JL233100	SPOILER UPPER DECAL RH	1
			JL233101	SPOILER LOWER DECAL LH	1
			JL233102	SPOILER LOWER DECAL RH	1
30	36JL0055	KIT DCL SPOILER-S BLUE	JL233115	SPOILER UPPER DECAL LH	1
			JL233116	SPOILER UPPER DECAL RH	1
			JL233117	SPOILER LOWER DECAL LH	1
			JL233118	SPOILER LOWER DECAL RH	1
31	36JL0053	KIT DCL TANK LOWER-P RED	JL233081	TANK LOWER DECAL LH	1

# Kit List

Sr No	Kit Part No.	Kit Description	Consisting of Following Parts		
			Part No.	Description	Qty/Kit
32	36JL0068	KIT DCL TANK LOWER-M WH.	JL233082	TANK LOWER DECAL RH	1
			JL233097	TANK LOWER DECAL LH	1
			JL233098	TANK LOWER DECAL RH	1
33	36JL0052	KIT DCL TANK LOWER-S BLUE	JL233113	TANK LOWER DECAL LH	1
			JL233114	TANK LOWER DECAL RH	1
34	36JF0021			NEEDLE JET	1
			DH121067	PILOT JET	1
				MAIN JET	1
				JET HOLDER	1
35	36JF0022		DH121088	O-RING	1
			DH121130	O-RING	1
			DH121086	SPRING	1
			DH121087	ADJUSTER WASHER	1
36	36JF0023	PISTON VALVE ASSEMBLY 1	DH121051	E-RING	1
			DJ121013	SPRING	1
			DH121160	RING (SHIM)	1
			DH121048	DIAPHRAGM	1
			DH121052	WASHER	1
			DH121050	SPRING (CO)	1
			DH121049	PLATE	1
			DH121047	RING(DIAPHRAGM HOLDING)	1
			DH121065	SCREW	2
				JET NEEDLE	1
38	DH121170		DH121044	DIAPHRAGM COVER	1
			DH121176	SCREW	2
37	36JF0024			IDLE ADJUSTER ASSY	1
			DD121065	WASHER	1
			DH121163	SPRING	1
			DH121077	PACKING	1
38	36JC0003	KIT HARDWARE ROD BRAKE	30191038	PIN	1
			39021911	WASHER PLAIN	1
			39080808	PIN-SPLIT	1
			30191035	SPRING	1
			JC191006	PIN BRAKE REAR	1
			JC191007	NUT BRAKE ROD	1







# Parts Index

Part Number	Figure No.	Page No.
01100905	16	20
14151033	14	34
22150241	14	28
30101142	18	30
30101195	3	32
30151033	3	62
30151069	16	68
30151105	13	68
30181025	4	74
30181026	5	74
30181029	17	74
30191048	3	102
30201064	4	102
31101173	3	12
31161078	23	82
31201079	6	70
31201081	7	24
39019811	12	70
39021111	14	94
39021111	16	100
39024011	12	34
39026512	12	90
39032615	11	56
39042215	11	58
39045411	11	52
39045411	17	70
39055302	12	52
39059417	4	8
39069415	18	70
39071111	7	76
39072211	14	68
39072211	7	84
39073817	3	28

Part Number	Figure No.	Page No.
39078912	16	70
39080708	19	70
39080808	11	20
39098717	4	16
39099206	7	18
39099311	6	28
39099906	11	24
39099906	2	26
39099906	23	30
39100006	3	10
39104119	10	30
39105315	15	52
39105515	22	54
39105515	14	106
39106204	11	106
39118011	3	72
39122515	21	70
39122515	9A	106
39128321	7	4
39150711	8	102
39155304	9	34
39156121	22	30
39166005	2	4
39167121	6A	30
39167304	13	8
39167304	5	30
39167304	2	36
39168904	5	58
39169801	10	56
39171519	3	24
39177802	5	82
39178001	16	42
39190204	8	20

# Parts Index

Part Number	Figure No.	Page No.
39190701	15	98
39190701	13	100
39194404	11	76
39194604	18	78
39195604	3	48
39197015	10	106
39201719	1	6
39214124	13	92
39214124	3	100
39219019	6	24
39220011	7	12
39220011	11	34
39220504	9	102
39229515	15	44
39240817	8	28
39242704	10	72
39244311	16	30
39247504	7	70
39248415	13	98
39249211	14	44
39253515	21	94
39256120	2	12
39256220	11	22
39256220	4	24
39260801	10	4
39262921	6	4
39266921	12	8
39272315	10	48
59040038	18	24
59040038	4	30
59040038	4	32
59040048	3	70
59040048	20	98

Part Number	Figure No.	Page No.
59040050	17	4
59110008	12	12
59120003	9	12
59150014	10	12
59200036	3	22
59200036	2	24
59210023	16	24
59210024	18	16
36JC0003	13	70
36JE0022	3	42
36JF0002	1	10
36JF0003	1	32
36JF0004	1	30
36JF0005	10	8
36JF0006	3	68
36JF0007	11	28
36JF0008	16	110
36JF0009	16	110
36JF0010	16	110
36JF0011	14	110
36JF0012	14	110
36JF0013	14	110
36JF0013	13	114
36JF0014	14	110
36JF0014	13	114
36JF0021	5	42
36JF0022	6	42
36JF0023	8	42
36JF0024	7	42
36JF0025	9	6
36JF0026	2	10
36JF0027	1	24
36JF0028	13	114

# Parts Index

Part Number	Figure No.	Page No.	Part Number	Figure No.	Page No.
36JF0029	2	22	52JF0049	6	108
36JF0030	13	114	52JF0051	6	108
36JF0031	14	74	52JF0063	5	48
36JF0043	22	102	52JF0066	5	112
36JF0044	14	64	52JF0067	5	112
36JF0045	14A	64	52JF0068	5	112
36JF0046	16	64	52JF0069	4	112
36JF0047	6	66	52JF0070	4	112
36JF0048	7	66	52JF0071	4	112
36JF0049	8	66	52JF0074	2	108
36JG0011	3	50	52JF0078	3	108
36JL0012	5	78	52JF0080	7	110
36JL0013	2	46	52JF0081	7	110
36JL0015	9	54	52JF0082	7	110
36JL0017	19	92	52JF0083	7	110
36JL0023	10	42	52JF0089	10	20
36JL0024	9	42	52JF0090	2	48
36JL0041	4	54	52JF0110	6	108
36JL0048	13	110	52JL0054	8	110
36JL0049	13	110	52JL0054	8	114
36JL0052	10	110	52JL0055	9	110
36JL0053	10	110	52JL0055	9	114
36JL0054	17	110	52JL0072	17	58
36JL0055	17	110	52JL0158	14	54
36JL0063	13	110	52JL0191	5	108
36JL0067	17	110	52JL0192	4	108
36JL0068	10	110	52JL0193	5	108
36JZ0014	3	34	52JL0194	4	108
36JZ0121	5	34	52JL0195	5	108
36JZ0132	6	36	52JL0196	4	108
52JA0029	6	22	52JL0197	5	108
52JE0074	1	2	52JL0198	4	108
52JF0047	1	48	52JL0216	2	108

# Parts Index

Part Number	Figure No.	Page No.	Part Number	Figure No.	Page No.
52JL0217	3	108	AP201025	17	102
52JL0218	2	108	BA102004	13	22
52JL0219	3	108			
52JL0220	2	108			
52JL0221	3	108			
52JL0339	6	108			
52JL0349	3	112			
52JL0350	3	112			
52JL0351	3	112			
52JL0352	2	112			
52JL0353	2	112			
52JL0354	2	112			
52JZ0264	1	20			
56JL0201	10	54			
56JL023G	2	98			
56JL0401	2	78			
56JL144R	6	112			
56JL145N	6	112			
56JL14X3	6	112			
56JL154R	7	112			
56JL155N	7	112			
56JL15X3	7	112			
56JL224R	1	112			
56JL225N	1	112			
56JL225Y	1	108			
56JL22X3	1	108			
56JL22X3	1	112			
56JL664X	2A	112			
56JL674X	3A	112			
AA101437	20	30			
AK201012	16	102			
AN111015	8	38			
AP101236	3	8			

# Parts Index

Part Number	Figure No.	Page No.	Part Number	Figure No.	Page No.
JF232604	18	72	JG401808	11	102
JF232606	18	72	JG531220	2	8
JF233018	16A	110	JG531220	2	14
JF233021	14	114	JG551428	3A	34
JF401016	15	100	JG551447	15	34
JF401802	12	102	JG571024	13	24
JF401807	14	102	JG581056	10	40
JF401808	20	102	JG591038	3	44
JF402000	2	38	JG591039	6	44
JF402201	6	102	JH561404	2	70
JF402203	1	102	JL111103	2	50
JF402209	1	102	JL111109	7	52
JF402217	1	102	JL113002	1	54
JF402222	1	102	JL113012	3	54
JF402400	1	86	JL113013	16	54
JF402404	3	88	JL113014	17	54
JF402405	3	88	JL113015	7	54
JF561204	9	20	JL113026	19	54
JF561205	12	20	JL113027	11	54
JF561415	9	20	JL113028	24	54
JF561416	12	20	JL113033	20	54
JF561418	10	20	JL113033	8	70
JG131219	8	68	JL113034	15	54
JG151022	17	72	JL113036	23	54
JG161008	12	72	JL113038	21	54
JG161010	1	64	JL113201	9	58
JG181235	3	92	JL113207	7	58
JG181236	2	92	JL113209	15	58
JG181238	2	86	JL113210	3	58
JG181259	12	86	JL113212	8	58
JG191008	4	46	JL113223	18	58
JG232601	9	46	JL113803	6	98
JG232606	10	46	JL113809	7	50

# Parts Index

Part Number	Figure No.	Page No.	Part Number	Figure No.	Page No.
JL113810	7	98	JL171060	14	78
JL113811	8	98	JL171061	9	80
JL113812	9	98	JL171062	8	80
JL113822	7	98	JL171063	9	78
JL113834	12	56	JL171070	6	80
JL113836	17	38	JL171070	13	82
JL122008	13	52	JL171071	4	80
JL122026	14	52	JL171071	14	82
JL131810	11	70	JL171078	15	80
JL131811	12	56	JL171078	24	82
JL151021	1	72	JL171081	1	78
JL151023	18	72	JL171085	23	78
JL151028	5	72	JL171096	24	78
JL151034	7	72	JL171800	13	78
JL151035	9	72	JL171801	16	78
JL151038	2A	72	JL171802	10	78
JL161003	15	72	JL171803	15	78
JL161005	4	70	JL181008	1	92
JL161006	9	70	JL181203	6	92
JL161008	16	72	JL181209	13	56
JL161011	11	72	JL181214	4	84
JL161012	12	72	JL181233	28	92
JL161015	11	72	JL181234	27	92
JL171018	20	78	JL181236	14	92
JL171019	19	78	JL181237	16	92
JL171020	22	78	JL181241	4	86
JL171024	5	80	JL181245	11	94
JL171024	15	82	JL181247	5	92
JL171035	12	78	JL181249	15	92
JL171036	11	78	JL181256	8	76
JL171037	8	78	JL181257	23	92
JL171049	4	78	JL181263	26	92
JL171057	3	80	JL181264	13	102

# Parts Index

Part Number	Figure No.	Page No.	Part Number	Figure No.	Page No.
JL181283	22	92	JL232805	19	98
JL181288	1	84	JL232808	10	98
JL181297	2	90	JL232810	1	100
JL181304	2A	86	JL232811	8	100
JL181407	8	90	JL233002	12	110
JL181408	9	90	JL233003	11	110
JL181411	5	56	JL233003	10	114
JL181416	12	94	JL233005	15	110
JL181417	4	94	JL233005	11	114
JL181426	1	94	JL233017	11B	110
JL181427	11	86	JL233153	12	114
JL181433	16	56	JL233185	11A	110
JL181436	14	56	JL233239	11	110
JL181437	13	86	JL233239	10	114
JL181439	25	82	JL401002	1	98
JL181447	2	82	JL401002	12	100
JL181448	3	82	JL401004	4	96
JL181449	1	82	JL401006	1	96
JL181450	4	82	JL401006	2	96
JL181453	3	94	JL401012	9	92
JL181456	9	82	JL401017	9	94
JL181457	10	82	JL401400	20	72
JL191001	1	46	JL401401	21	72
JL191004	7	46	JL401401	21	72
JL231202	6	106	JL401402	10	58
JL231204	8	106	JL401403	19	72
JL231209	5	90	JL401409	20	72
JL231209	7A	106	JL401410	21	72
JL231404	3	106	JL401411	13	72
JL231405	4	106	JL402019	18	4
JL231600	23	72	JL402201	5	102
JL231601	22	72	JL402204	21	102
JL232604	12	46	JL402403	8	86

# Parts Index

Part Number	Figure No.	Page No.	Part Number	Figure No.	Page No.
JL402602	6	78	JZ541005	19	24
JL403600	14	58	JZ551210	9	16
JL541223	5	32	JZ551412	8	34
JL541227	12	30	JZ561002	4	18
JL561409	15	20	JZ621000	7	28
JL581027	4	42	KACA0616	6	56
JL581055	12	40	KACA0820	6	54
JL581204	18	42	KACA0850	13	106
JL581205	19	42	KACB0514	6	86
JL581206	20	42	KACB0516	3	78
JL591156	9	44	KACB0622	4	90
JL591157	8	44	KACB0622	7	106
JL591165	10	44	KACB0830	9	106
JN131203	7	68	KACH0835	18	92
JN351604	15	102	KADA0510	13	44
JU232800	17	98	KADA0512	14	80
JU232800	2	100	KADA0512	17	82
JV541208	2	30	KADA0630	12	44
JV541218	8	4	KADA0630	16	82
JV551000	19	16	KADA0635	11	44
JW131807	5	66	KADB0516	13	58
JW131810	4	66	KADB0516	10	80
JW171015	12	76	KADC0616	7	94
JW351400	6	10	KADD0610	12	98
JW561206	2	20	KADD0610	11	100
JY151011	23	74	KADD0618	10	38
JY181284	6	100	KADD0840	6	14
JY541039	8	18	KADE0610	12	54
JZ122008	8	52	KADE0614	10	92
JZ122012	9	52	KADF0612	19	56
JZ131217	16	52	KADF0614	12	38
JZ511016	4	4	KADF0614	8	56
JZ531006	6	12	KADF0614	5	84

# Parts Index

Part Number	Figure No.	Page No.	Part Number	Figure No.	Page No.
KADF0618	13	38	KDBA0512	8	82
KADF0820	7	56	KDBA0512	12	82
KADF0820	18	78	KDBA0512	7	92
KADF0885	12	106	KDBA0512	6	94
KADQ0625	2	40	KDBA0613	8	94
KADT0820	21	78	KDBB0512	18	82
KAEG0620	13	94	KFBA0412	4	12
KAEM0610	9	48	KPBB6202	10	68
KAEM0614	13	102	KPBB6301	5	62
KBAB0608	10	36	KPBB6302	17	68
KBBA0514	3	98	KPBC6004	5	68
KBBA0514	4	100	LAC00016	8	54
KBQA3506	5	40	LAC00019	2	52
KBUA0514	2	76	LAC00020	4	72
KBUA0516	12	92	LAC00022	12	80
KBUA0516	17	100	LAC00022	22	82
KBUA0612	2	84	LAC00034	20	82
KBUA0616	29	92	LAC00035	10	84
KBUB0410	10	90	LAC00035	5	106
KBUB0516	13	80	LAC00036	13	90
KBUC0514	18	56	LAC00037	11	90
KBUC0625	7	100	LAC00052	9	36
KCAA0504	3	86	LAC00054	6A	86
KCBA0605	6	76	LAC00054	3	90
KCGA0505	7	78	LAC00063	7	80
KCGA0505	5	100	LAC00063	19	82
KCGD0606	5	98	LAC00069	21	16
KCGD1010	3	96	LAD00037	13	64
KCJD1212	11	46	LAD00120	20	94
KDAA0408	6	82	LAD00134	4	58
KDAA0510	9	56	LAD00135	6	58
KDAA0510	10	86	LAE00015	7	14
KDAA0611	11	92	LAE00015	4	22

# Parts Index

Part Number	Figure No.	Page No.	Part Number	Figure No.	Page No.
LAE00024	12	24	YJL06003	22	94
LAE00025	8	22	YJL06004	9A	94
LBR00002	7	82			
LBR00002	8	92			
LBR00002	5	94			
LBS00002	4	92			
LBU00009	18	98			
LBU00023	11	82			
LBU00030	2	94			
LCA00008	21	98			
LCB00005	1	68			
LCG00008	9	100			
LCG00014	7	48			
LCJ00002	18	52			
LDB00007	7	86			
LDB00023	15	56			
LDB00023	21	82			
LDB00023	6	84			
LDB00029	17	52			
LDB00044	5	20			
LJA00004	14	24			
LJA00010	13	4			
PA181292	25	92			
PA181293	24	92			
PA401600	7	102			
PA402204	19	102			
PA561209	6	20			
PA581036	9	40			
PF131220	2	68			
PF541018	10	22			
YDT02004	14	86			
YJL06001	24	94			
YJL06002	23	94			

# Parts Index

Part Number	Figure No.	Page No.	Part Number	Figure No.	Page No.

# Parts Index

Part Number	Figure No.	Page No.	Part Number	Figure No.	Page No.

# Parts Index

Part Number	Figure No.	Page No.	Part Number	Figure No.	Page No.

# Parts Index

Part Number	Figure No.	Page No.	Part Number	Figure No.	Page No.



# Parts Index

Part Number	Figure No.	Page No.	Part Number	Figure No.	Page No.



# Parts Index

Part Number	Figure No.	Page No.	Part Number	Figure No.	Page No.

