



PART CATALOGUE



SERVICE DEPARTMENT



ATUL AUTO LIMITED
CIN No. : L54100GJ1986PLC016999
Address : 8-B, National highway, Near microwave tower,
Shapar(veraval), Rajkot - 360002
Phone : +91-2827-666000
Fax : +91-2827-666029
E-mail : marketing@atul auto.co.in
Web : www.atulauto.co.in

FOREWORD

We have pleasure in presenting the spare parts catalogue for **ATUL GEMINI PETROL PREMIUM**. This catalogue has been specially designed to assist you to guide in the selection of correct parts, so that you can maintain your vehicle in the best running condition.

The **ATUL GEMINI PETROL PREMIUM** spares are checked at quality control standards to ensure longer life of the vehicle , it is therefore necessary that only the genuine **ATUL GEMINI PETROL PREMIUM** spares are used.

In a continual effort to improve performance and efficiency of the vehicle, specification, diagrams, illustration and part numbers can be changed without any notice. Consequently, the description in this spare parts catalogue cannot therefore be final and binding on us.

The modification/ alteration in product are carried out after the issue of this catalogue, will be conveyed to you through our service circulars. You are requested to make necessary correction in the parts catalogue as per the service circular , so as to keep your catalogue up-to-date. This will ensure the the appropriate and speedy delivery of the spare parts as the order will bear the latest part numbers.

In case , if you need any technical assistance contact to our nearest authorized dealer or write to us on the following address :

SERVICE DEPARTMENT



ATUL AUTO LIMITED

CIN No. : L54100GJ1986PLC016999

Address: 8-B, National highway, Near microwave tower,
Shapar(veraval), Rajkot - 360002

Phone : +91-2827-666000

Fax : +91-2827-666029

E-mail : marketing@atul auto.co.in

Web : www.atulauto.co.in

HOW TO READ THE CATALOGUE :

Open the catalogue and from the pictorial index locate the group in which the part you want to find is present. Turn over to the concerned table number (as given in pictorial index). Now find out the figure of the part you wish to order. Note down the part number against that particular figure number from the text.

In case, you have the part number and you need the other details, the part index can be used. The part index (as at the end of catalogue) will give you the figure and table number and page number of the part you wish to order.

HOW TO ORDER SPARE PARTS :

The part number and the description of the part required should be invariably mentioned in the order as per the catalogue text.

The latest part number as conveyed through our service circulars should only appear on the order.

The quantity shown against the part number is the quantity per vehicle for that group. So that particular quantity should be multiplied by the number sets required

ABBREVIATIONS :

The following abbreviation are used in this catalogue.

LH - Left handside	V - Volts
RH - Right hand side	W - Watts

TABLE - A : CRANK CASE CLUTCH SIDE

09

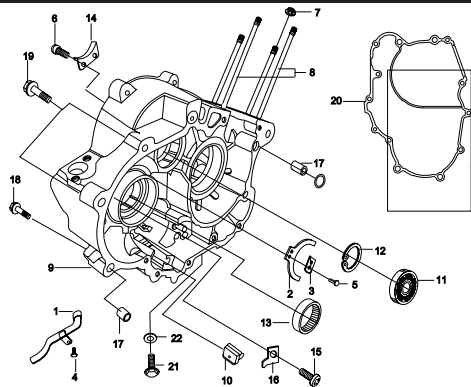


TABLE - B : CRANK CASE MAGNETO SIDE

10

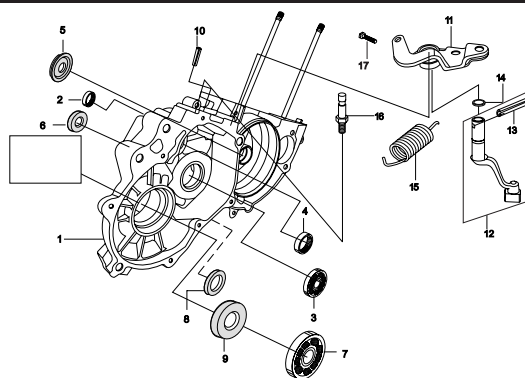


TABLE - C : CLUTCH SIDE COVER

11

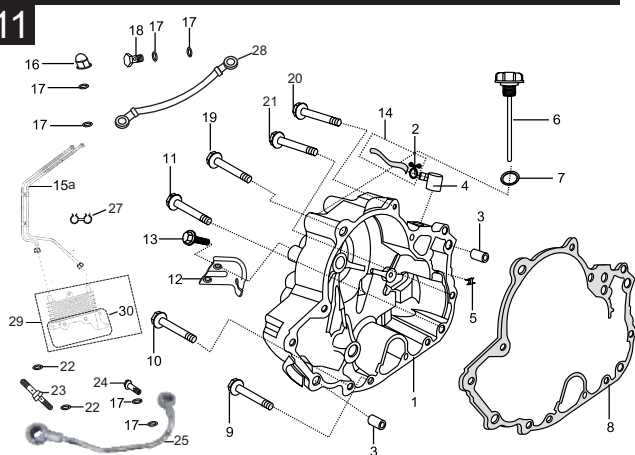


TABLE - D : CYLINDER PISTON ASSEMBLY

13

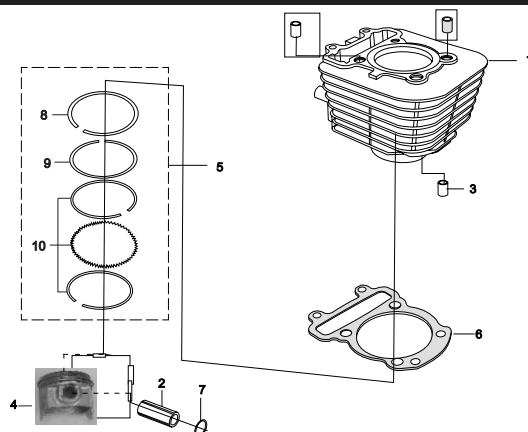


TABLE - E : CRANK SHAFT ASSEMBLY

14

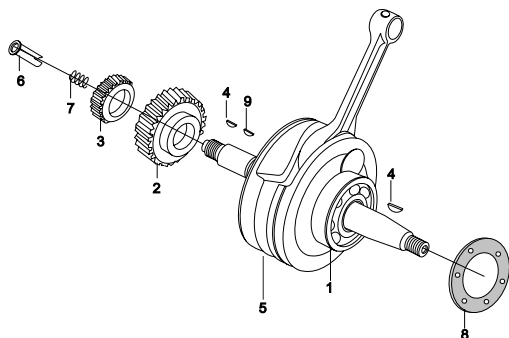


TABLE - F : CYLINDER HEAD ASSEMBLY

15

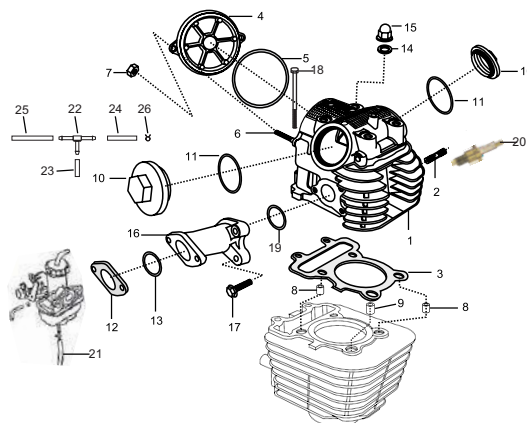


TABLE - G : VALVE

16

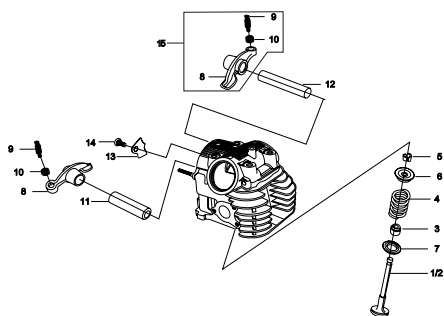


TABLE - H : CAM SHAFT AND CHAIN TENSIONER

17

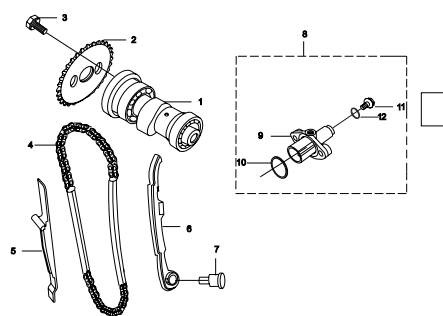


TABLE - I : CLUTCH ASSEMBLY

18

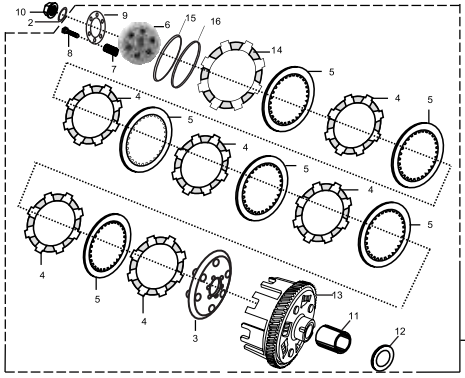


TABLE - J : CLUTCH LEVER ASSEMBLY

19

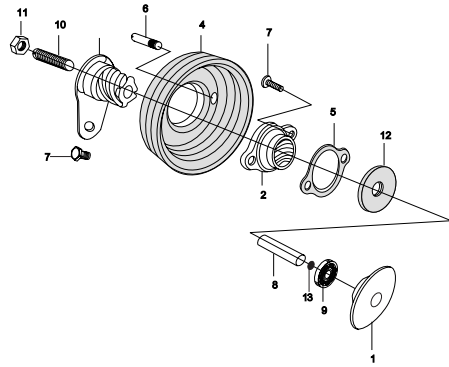


TABLE - K : GEAR TRANSMISSION

20

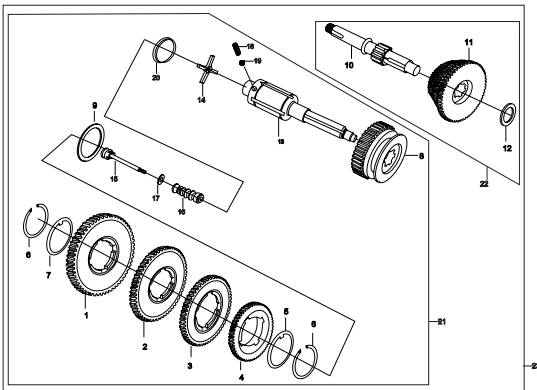


TABLE - L : SELECTOR SHIFTER ASSEMBLY

22

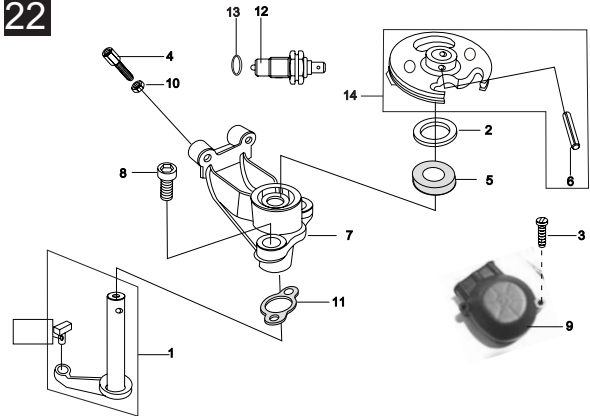


TABLE - M : STARTING MECHANISM & DIFFERENTIAL ASSEMBLY

23

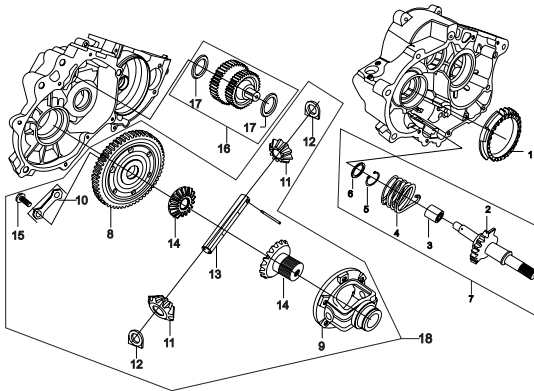


TABLE - N : DEFERENTIAL COVER

25

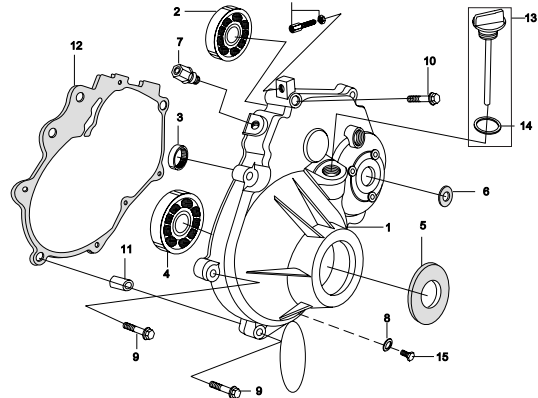


TABLE - O : COWLINGS

26

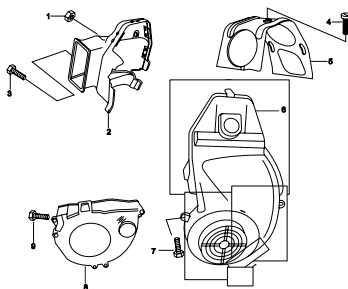


TABLE - P : MAGNETO ASSEMBLY

27

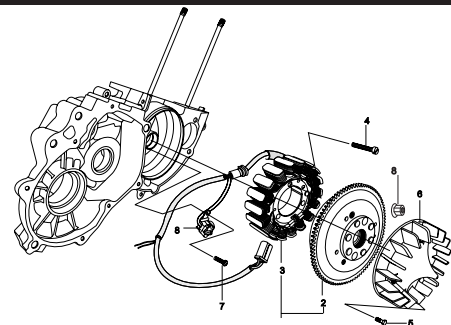


TABLE - Q : OIL PUMP & OIL STRAINER

28

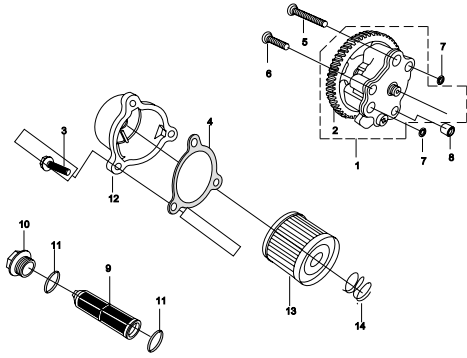


TABLE - R : STARTER MOTOR

29

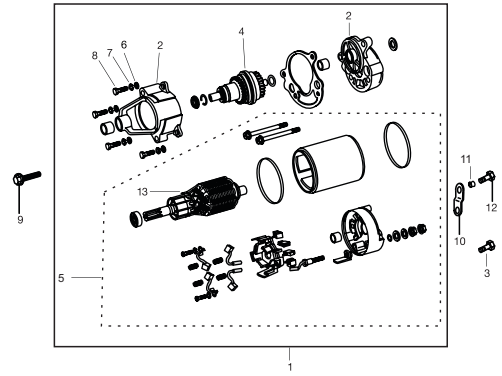


TABLE - S : ELECTRIC ELEMENTS

30

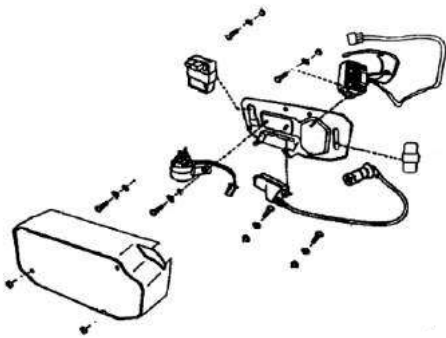


TABLE 1 : ENGINE SUPPORT GEMINI

32

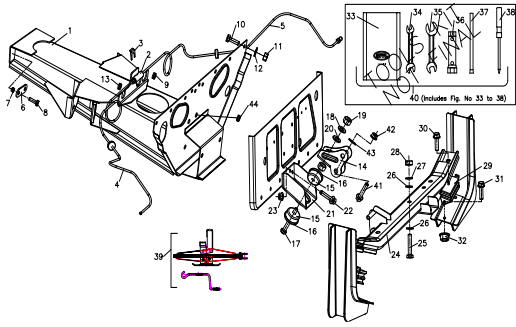


TABLE 2 : CHASSIS FRAME, FUEL TANK

34

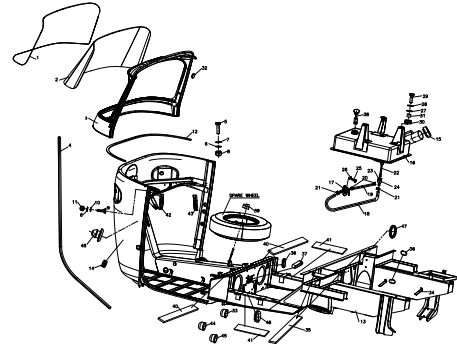


TABLE 3 : INNER PARTS OF CABIN

36

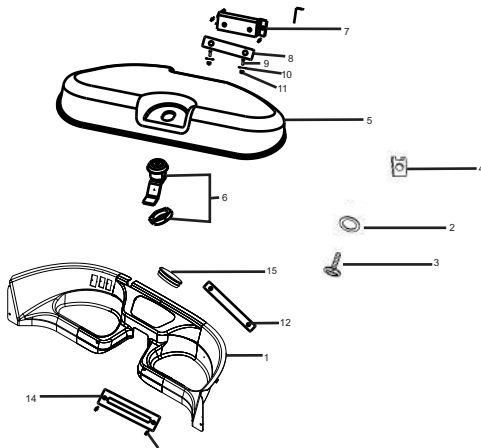


TABLE 4 : CABIN COMPONENTS

37

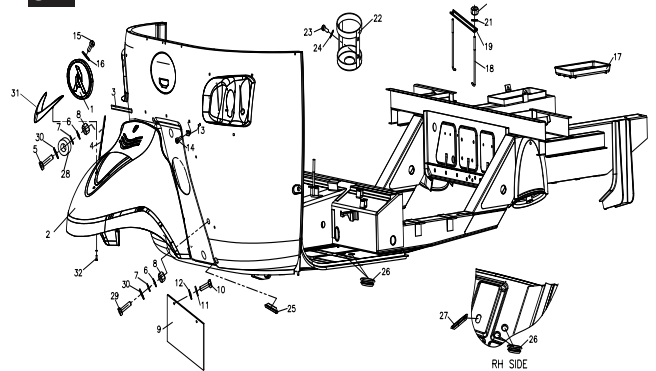


TABLE 5 : RUBBER MAT, REAR MUDGUARD

39

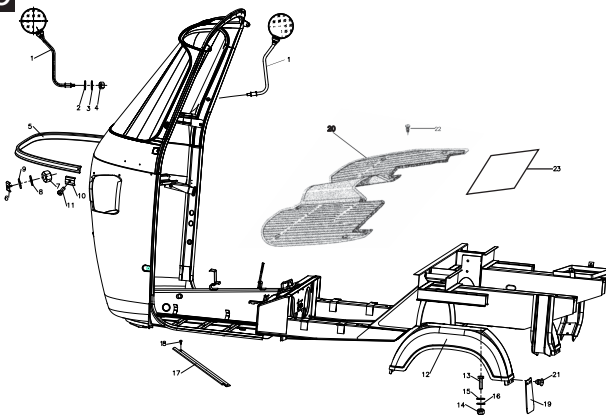


TABLE 6 : REAR SUSPENSION

40

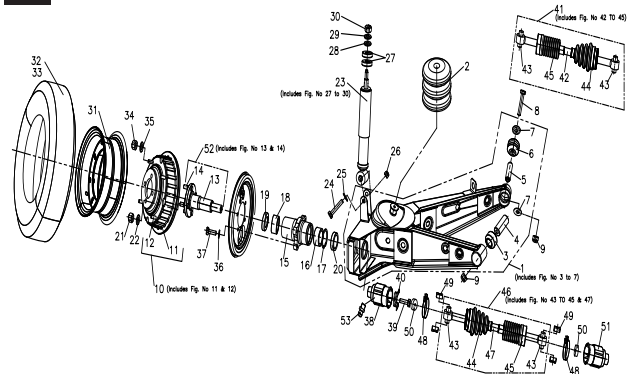


TABLE 7 : FRONT SUSPENSION & STEERING COLUMN

43

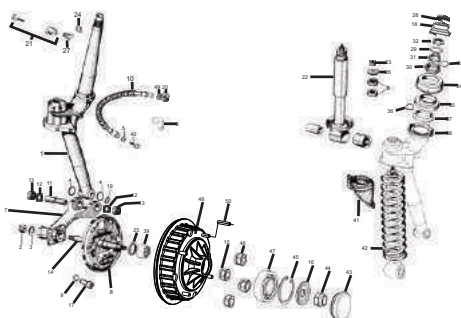


TABLE 8 : HANDLE BAR & CONTROL CABLES

45

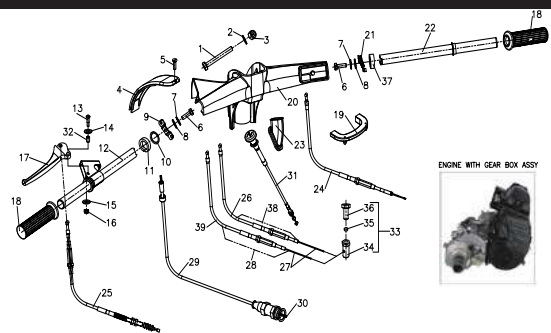


TABLE 9 : FRONT BRAKE PLATE

47

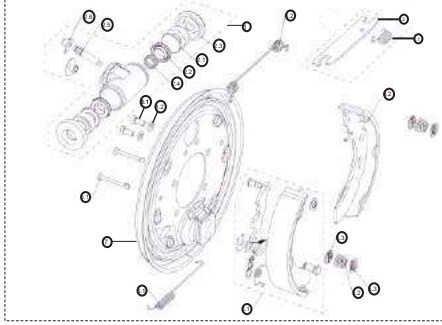


TABLE 10 : REAR BRAKE PLATE

48

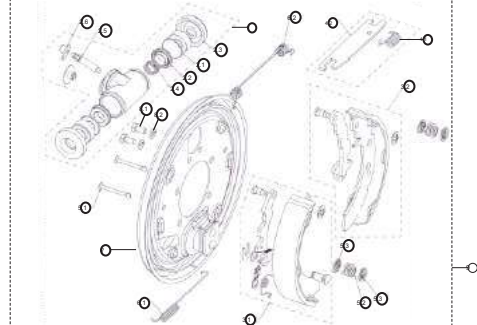


TABLE 11 : BRAKE -TANDEM CYLINDER, BRAKE PIPES AND HAND BRAKE

49

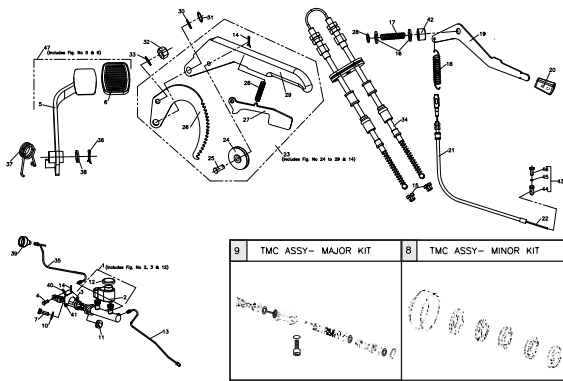


TABLE 12 : BRAKE -ELECTRICAL DEVICES

51

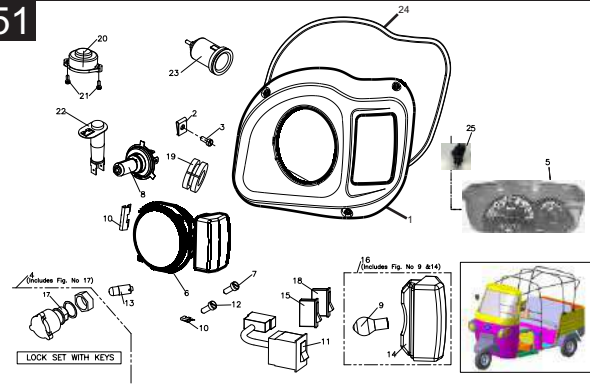


TABLE 13 : BRAKE -ELECTRICAL DEVICES

53

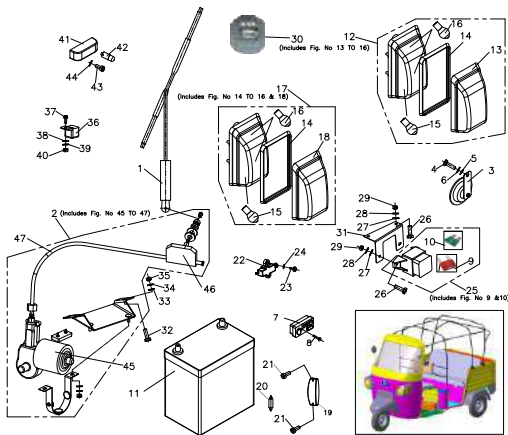


TABLE 14 : STICKER

55

27151202 (SHOWN FOR REF)

29051207

LOGO (ATUL) 27151202

STICKER GENERAL INSTRUCTION (GEMINI) 29071207

STICKER RUNNING INSTRUCTION (GEMINI G2) 36050010

STICKER-ATUL GEMINI-G2 WHITE 36050009

STICKER-ATUL GEMINI-G2 BLACK 36050008

STICKER YELLOW LINING SIDE PANEL 29051204

STICKER YELLOW LINING REAR DOOR 29051205

KIT-ATUL STICKER WHITE(REAR DOOR) 33051204

STICKER - PAXX 27051245

FIRST AID KIT 27090080

SPARE PART CATALOGUE (GEMINI G2) 36090001

USER MANUAL (GEMINI G2) 36090004

WORKSHOP MANUAL (GEMINI G2) 36090005

GEAR BOX EXPLODED VIEW 36030099

ENGINE EXPLODED VIEW 36010004

SPECIAL TOOLS EXPLODED VIEW 36090002

MAINTENANCE SCHEDULE (GEMINI-G2) 36090003

GENERAL INSTRUCTION GEMINI

- DO NOT MAINTAIN MAXIMUM SPEED FOR LONG PERIODS.
- DO NOT OPERATE AT FULL THROTTLE FOR LONG PERIODS.
- DO NOT DLE FOR LONG PERIODS.
- DO NOT TRAVEL AT FULL THROTTLE ESPECIALLY WHILE CLOSING.
- CLEAN AIR FILTER EVERY WEEK
- TYRE ROTATION AT EVERY 5000 Kms

TYRE PRESSURE

FRONT	REAR	kg/cm ²	PSI
2.2	2.2	(30 PSI)	(30 PSI)
2.2	2.2	(30 PSI)	(30 PSI)

FACE TO BE CHANGED WITH ROTATION

BATTERY MAINTENANCE

ADHERE FOLLOWING INSTRUCTION FOR FIRST 2000 KMS

- DO NOT EXCEED FOLLOWING SPEED
- 1st GEAR - 10 km/hr
- 2nd GEAR - 20 km/hr
- 3rd GEAR - 30 km/hr
- 4th GEAR - 40 km/hr
- AFTER EVERY 5000 KM CHANGE GEAR BOX OIL
- CHECK THE WHEEL NUTS FOR SLACKNESS.
- CHECK ALL OTHER BOLT AND NUTS.
- CHANGE THE ENGINE OIL AFTER EVERY 5000 KM RUNNING
- CHECK VALVE CLEARANCE AND ADJUST IF NECESSARY AFTER FIRST 500 KM RUNNING OF THE VEHICLE (ONLY BY AUTHORIZED DIAGNOSTIC)
- DO NOT LOAD MORE THAN 70% IN ANY GEAR.

TABLE 15 : BODY PART

56

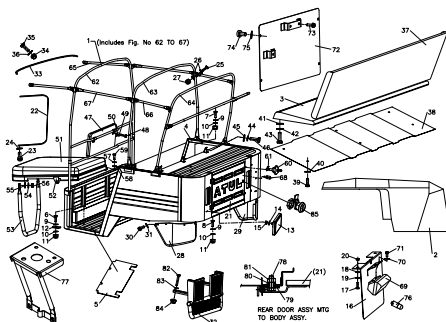


TABLE 16 : HAND STARTER

60

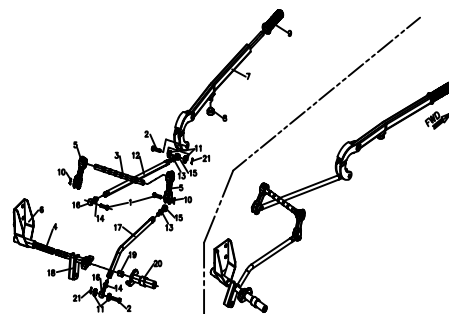


TABLE 17 : WIRING HARNESS

61

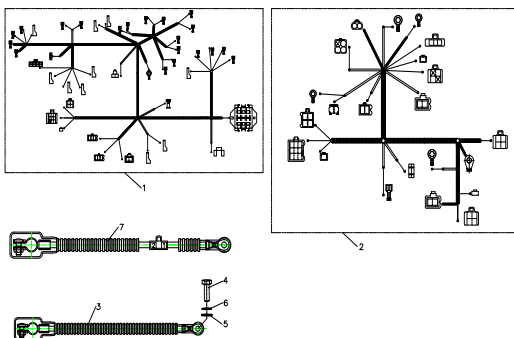


TABLE 18 : AIR FILTER ELEMENT

62

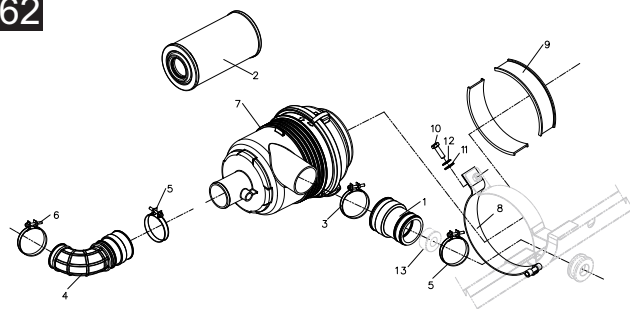


TABLE 19 : SILENCER & OIL COOLER ASSY.

63

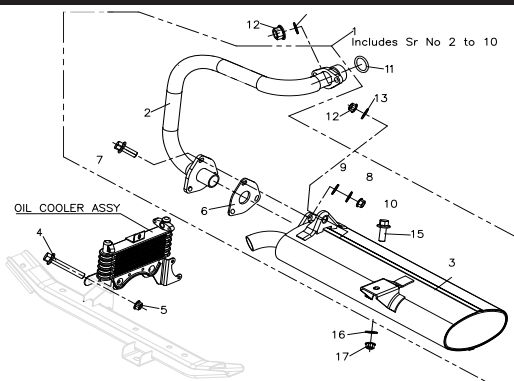


TABLE - 20 : FARE METER HOUSING ASSY.

64

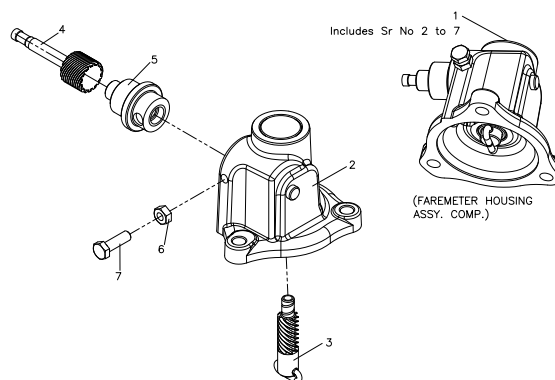
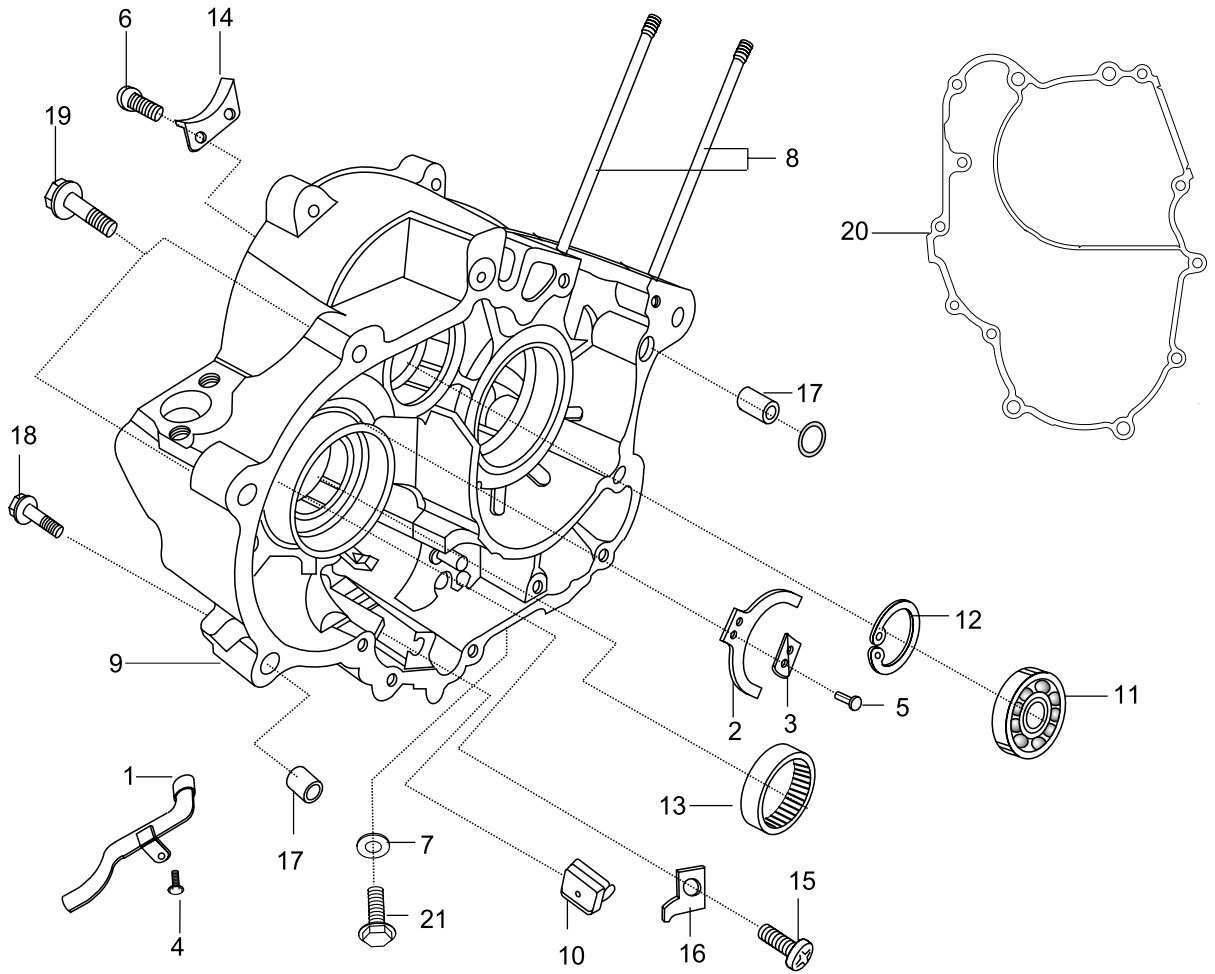
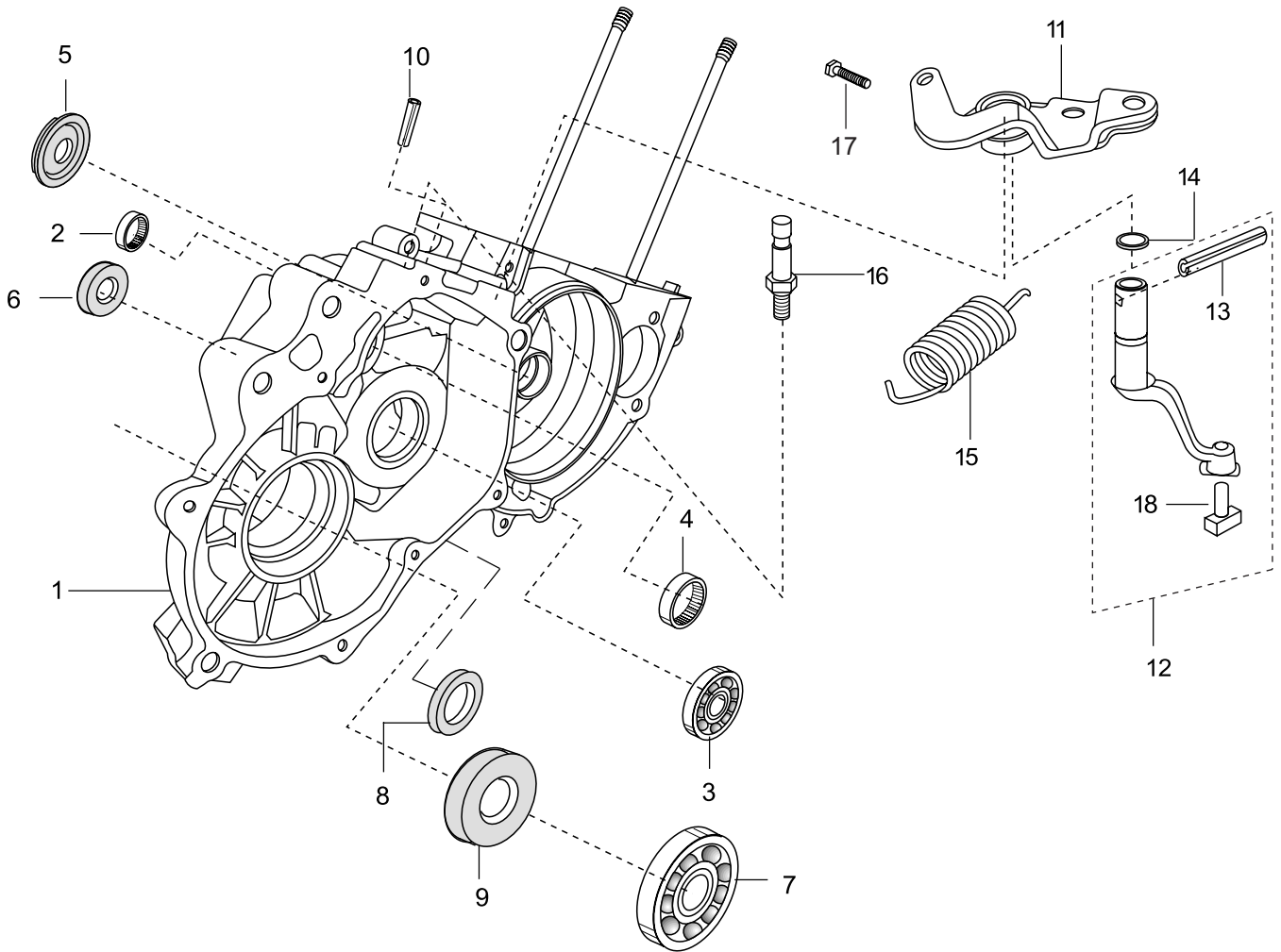


TABLE - A : CRANK CASE CLUTCH SIDE



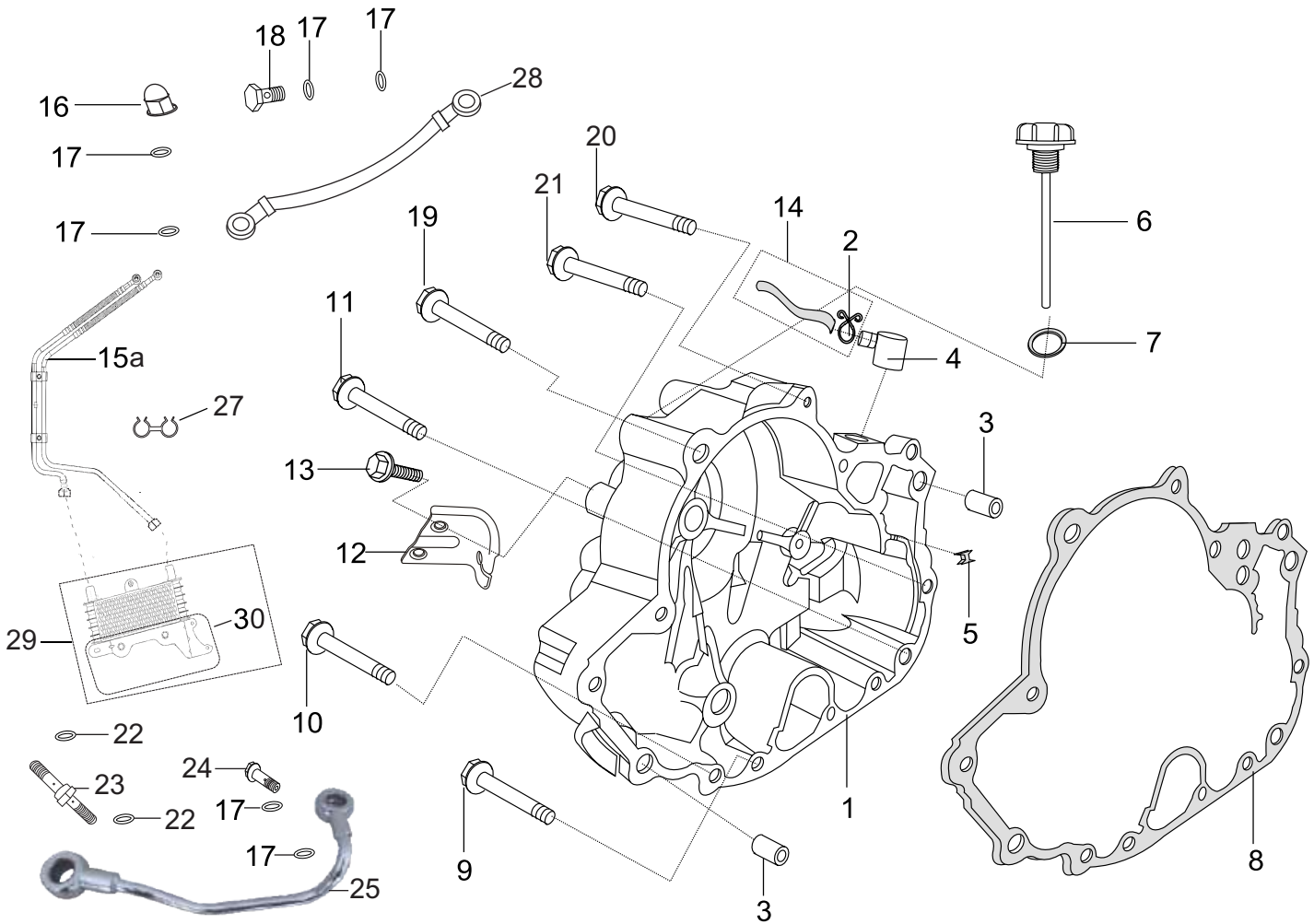
No.	Part No.	Description	Qty.	Remarks
1	36010104	TUBE ASSEMBLY	1	
2	36010081	SPRING PLATE	1	
3	36010080	SPRING PLATE DRIVEN GEAR	1	
4	36010054	HEX FLANGE SCREW M6x12	1	
5	36010079	ROUND HEAD CRS RCS SCREW M5x8	2	
6	36010054	HEX FLANGE SCREW M6x12	1	
7	36010087	COPPER WASHER 10.5x1.5x14	1	
8	36010075	STUD CYLINDER HEAD	4	
9	36010074	RIGHT CRANKCASE ASSY.	1	
10	36010086	RUBBER PAD	1	
11	36010078	Ball Bearing(6004/P53) (20x42x12)	1	
12	36010077	INTERNAL CIRCLIP DIA 42	1	
13	36010083	NEEDLE BUSH WITH CAGE GUIDED JV 188 (11/8x 1 3/8x 1/2) (INCH SERIES)	1	
14	36010071	GUIDE TIMING CHAIN (METALLIC)	1	
15	36010082	ROUND HEAD CRS RCS SCREW M6x12	1	
16	36010085	GUIDE, STARTER GEAR	1	
17	36010030	DOWEL PIN 10x14	2	
18	36010073	HEX FLANGE BOLT M6x55	6	
19	36010072	HEX FLANGE BOLT M6x35	3	
20	36010106	GASKET, CRANKCASE	1	
21	36010088	OIL DRAIN PLUG M10x16x1.25	1	

TABLE - B : CRANK CASE MAGNETO SIDE



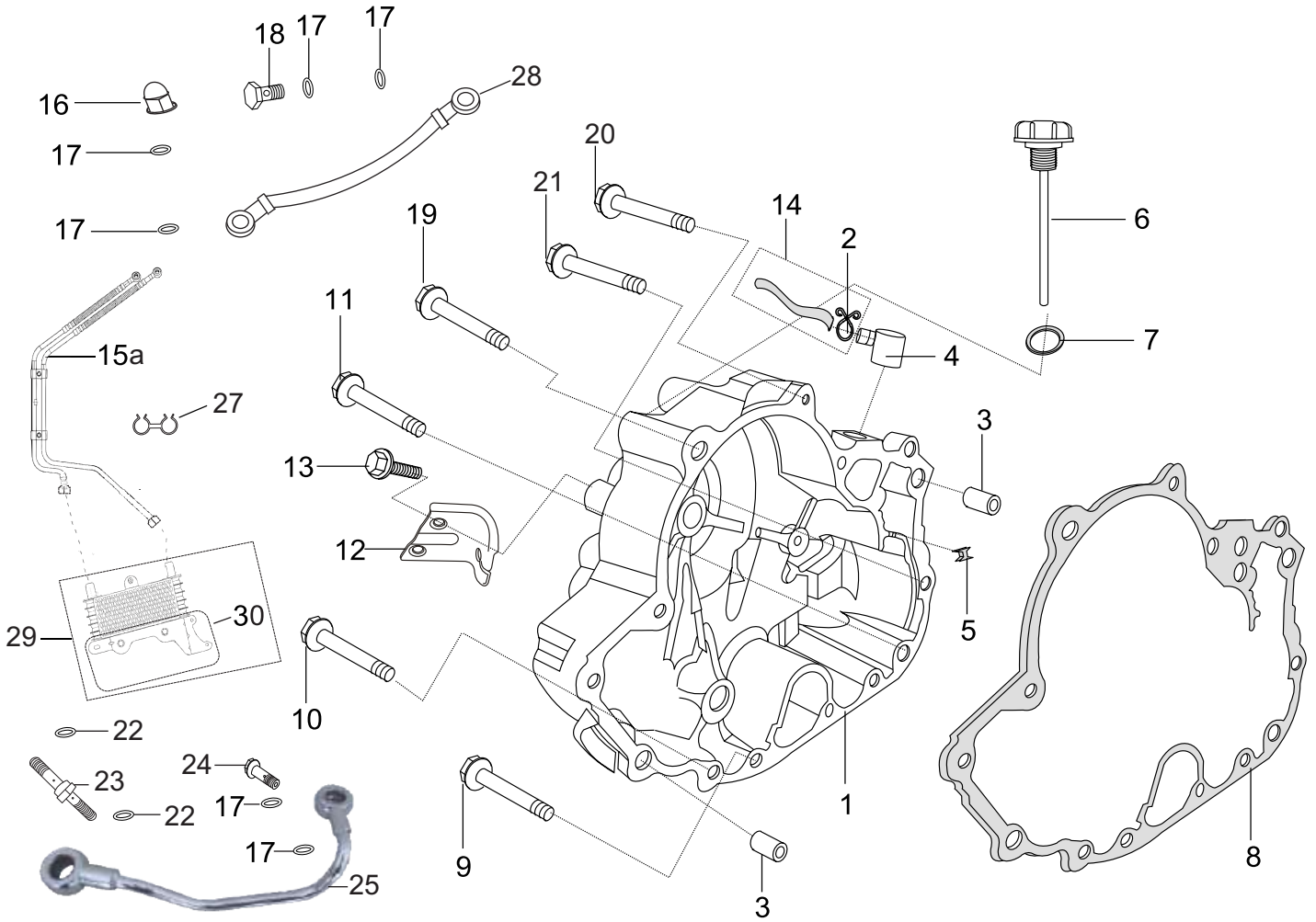
No.	Part No.	Description	Qty.	Remarks
1	36010092	CRANKCASE,LH	1	
2	36010090	NEEDLE ROLLER BEARING(NK14×22×16)	1	
3	36010096	BALL BEARING(6305/P5)	1	
4	36010161	NEEDLE ROLLER BEARING (Nk162416)	1	
5	36010089	OIL SEAL (35x22x7)	1	
	39171519	OIL SEAL (35x22x7)	1	B
6	36010091	OIL SEAL (40x25x7)	1	
	39171619	OIL SEAL (40x25x7)	1	B
7	36010163	DEEP GROOVE BALL BEARING (16007/PC)(35X62X9)	1	
8	36010095	OIL SEAL (28x18x7)	1	
9	36010097	OIL SEAL (50x33x6)	1	
	39187019	OIL SEAL (50x33x6)	1	B
10	36010093	PIN 6x24	1	
11	36010084	CONTROL ARM, REVERSE	1	
12	36010101	FORK, REVERSE	1	
13	36010100	SPLIT PIN DIA.4	1	
14	36010099	O-RING 9x1.8	2	
15	36010102	TENSION SPRING	1	
16	36010103	PIN FOR TENSION SPRING	1	
17	36010107	BOLT M8x20 (CABLE ADJ BOLT)	1	
18	36017161	SLIDER - GEAR SHIFT, REVERSE	1	Not supply

TABLE - C : CLUTCH SIDE COVER



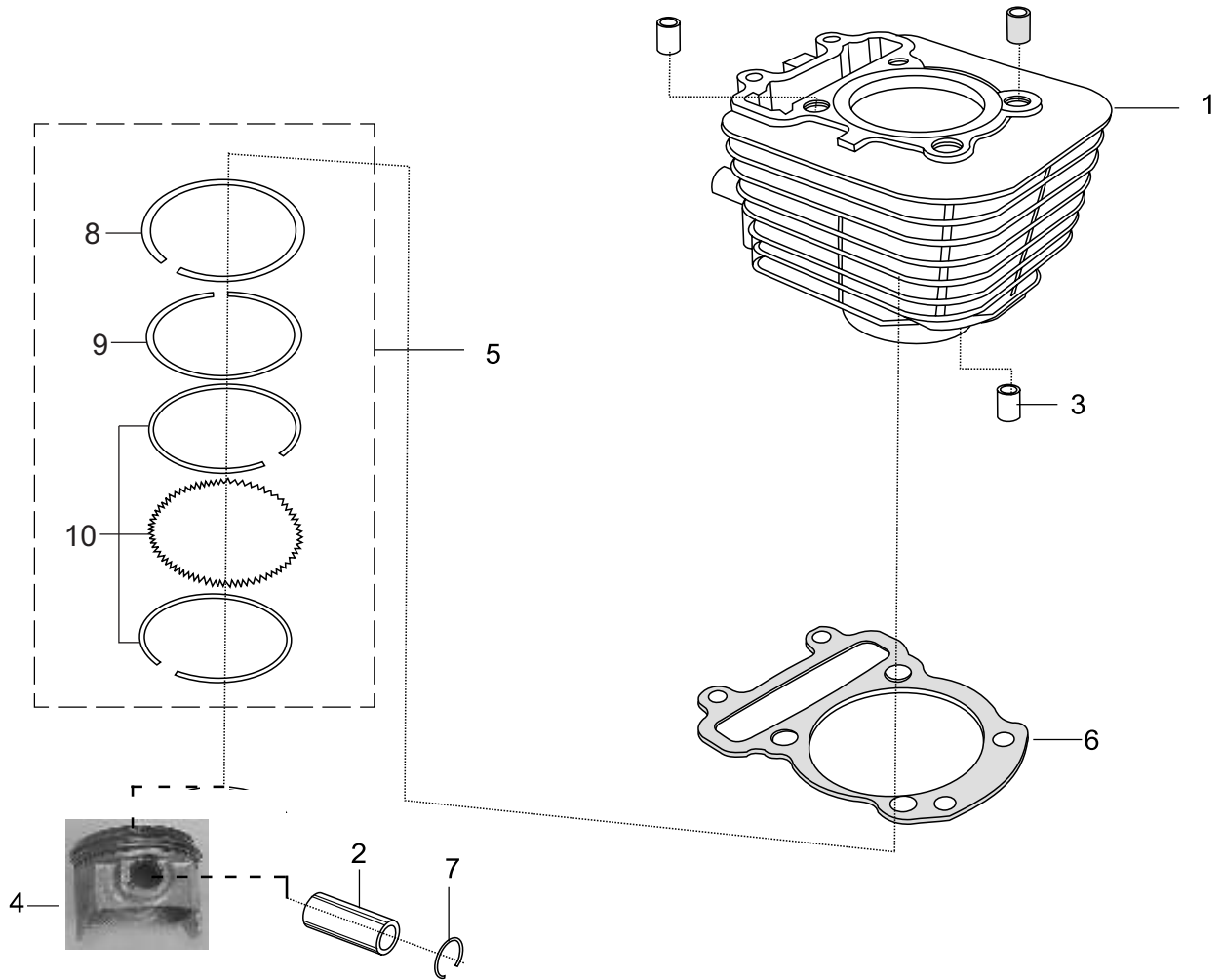
No.	Part No.	Description	Qty.	Remarks
1	36010143	CRANKCASE COVER, LH	1	
2	36010139	CLIP , BREATHER TUBE	1	
3	36010030	DOWEL PIN 10x14	2	
4	36010140	BREATHER W/O PIPE	1	
5	36010142	GROMMET BREATHER	1	
6	36010158	DIPSTICK (Crank case cover LH)	1	
7	36010166	O-RING 13.8x2.3	1	
8	36010144	GASKET, CRANKCASE COVER, RH	1	
9	36010137	HEX FLANGE BOLT M6x90	1	
10	36010136	HEX FLANGE BOLT M6x85	2	
11	36010133	HEX FLANGE BOLT M6x65	1	
12	36010135	BRACKET, CLUTCH CABLE	1	
13	36010054	HEX FLANGE SCREW M6x12	1	
14	36010138	BREATHER TUBE	1	
15	36010253	ASSY PIPE OIL COOLER	1	
16	36010014	HEX FLANGE DOME CAP NUT M8	4	
17	36010150	COPPER WASHER 10x1.2x16	6	
18	36010157	BANJO BOLT	1	
19	36010132	HEX FLANGE BOLT M6x60	3	
20	36010130	HEX FLANGE SCREW M6x32	1	
21	36010131	HEX FLANGE BOLT M6x40	3	
22	36010152	COPPER WASHER 8.2x1x14	2	
23	36010154	SPECIAL BOLT	1	
24	36010151	BANJO BOLT M10x20	1	
25	36010153	BANJO PIPE	1	
26	36030083	HEX FLANGE SCREW M6X16	4	
27	36010222	O-RING 9x2	2	
28	36010155	OIL PIPE SET	1	

TABLE - C : CLUTCH SIDE COVER



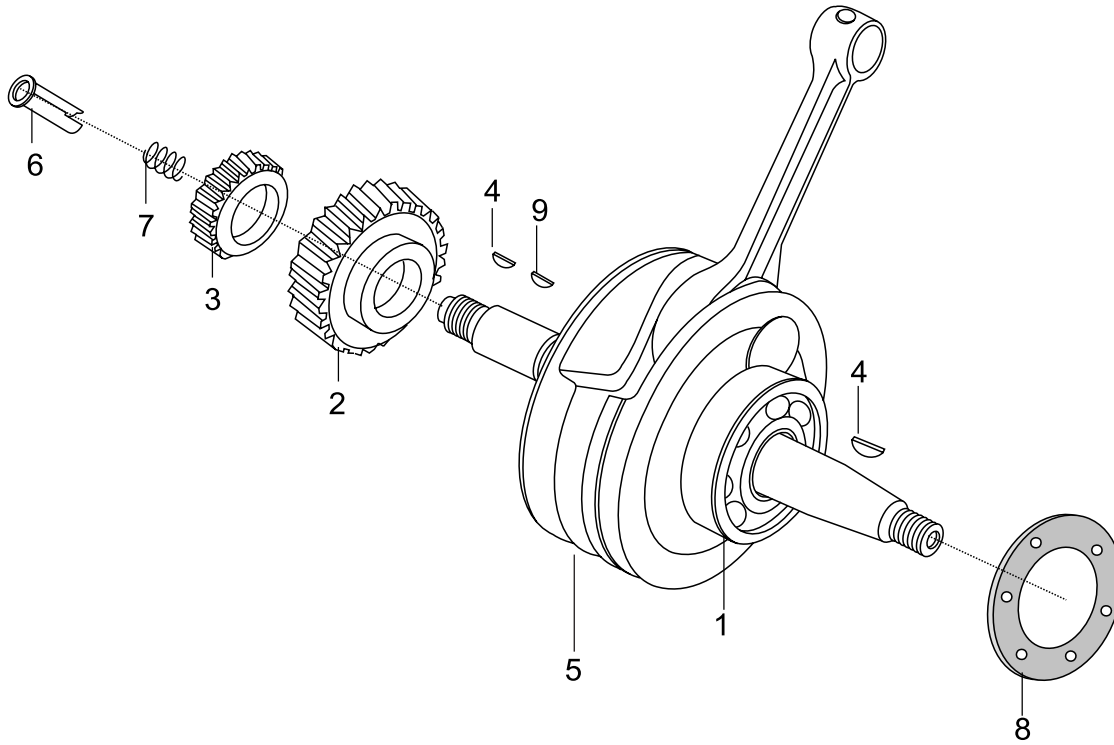
No.	Part No.	Description	Qty.	Remarks
29	36010251	ASSY OIL COOLER	1	
30	36010252	BRKT OIL COOLER	1	
31	50010015	HOSE CLIP	1	

TABLE - D : CYLINDER PISTON ASSEMBLY



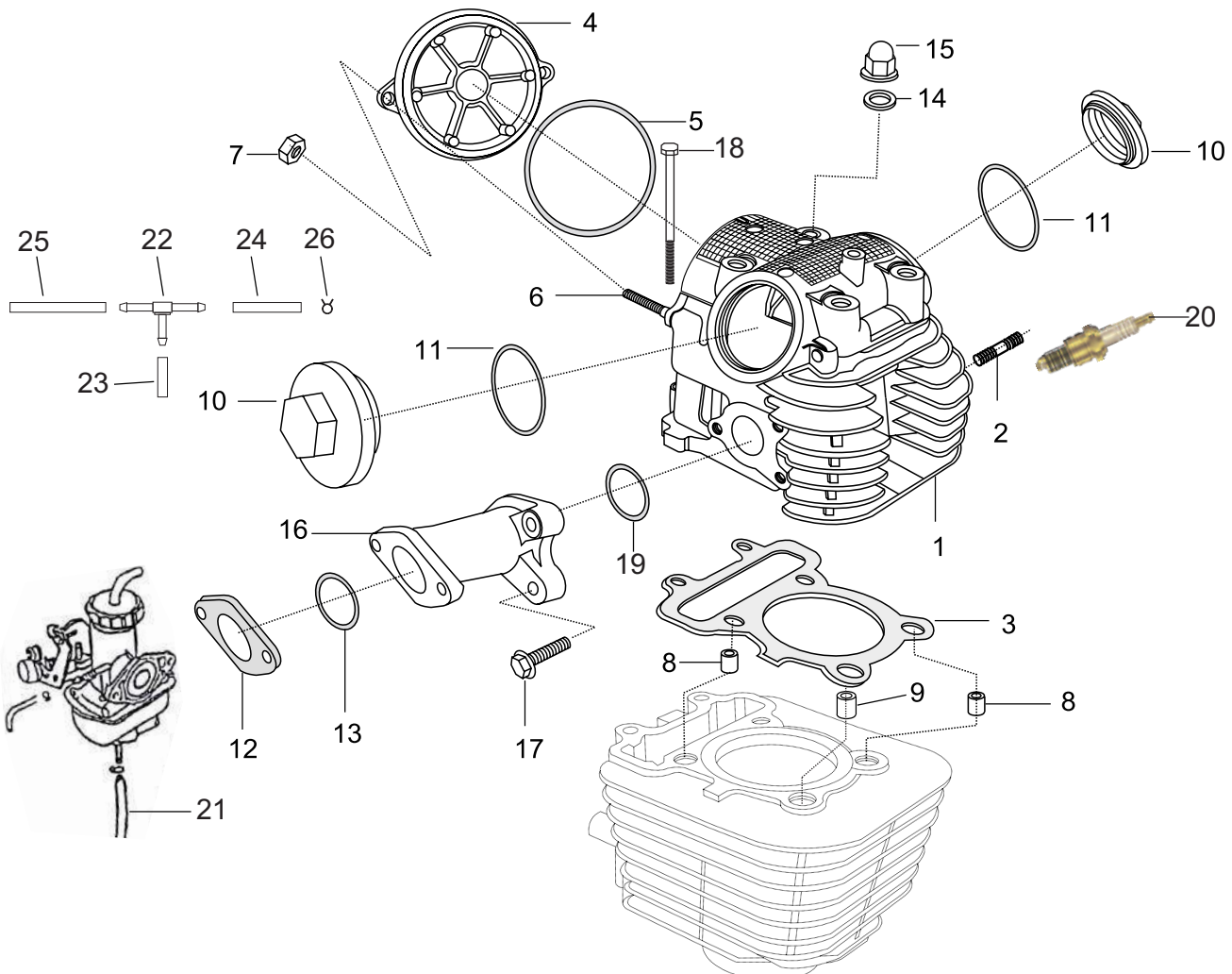
No.	Part No.	Description	Qty.	Remarks
1	36010029	CYLINDER BLOCK	1	
	AN101123	CYLINDER BLOCK	1	B
2	36010116	PIN,PISTON	1	
3	36010030	DOWEL PIN 10x14	2	
4	36010115	PISTON	1	
5	36010113	PISTON RING SET	1	
6	36010031	GASKET,CYLINDER BLOCK	1	
7	36010114	PISTON PIN RETAINER	2	
8	36010110	PISTON RING 1	1	Not supply
9	36010111	PISTON RING 2	1	Not supply
10	36010112	OILRING ASSY	1	Not supply
11	36010260	KIT PISTON	1	Included Fig. 2,4,7,5
12	36010270	KIT PISTON RING	1	Included Fig. 8,9,10
13	36010280	KIT CYLINDER BLOCK & PISTON	1	Not supply Included Fig. 1,2,4,7,5

TABLE - E : CRANK SHAFT ASSEMBLY



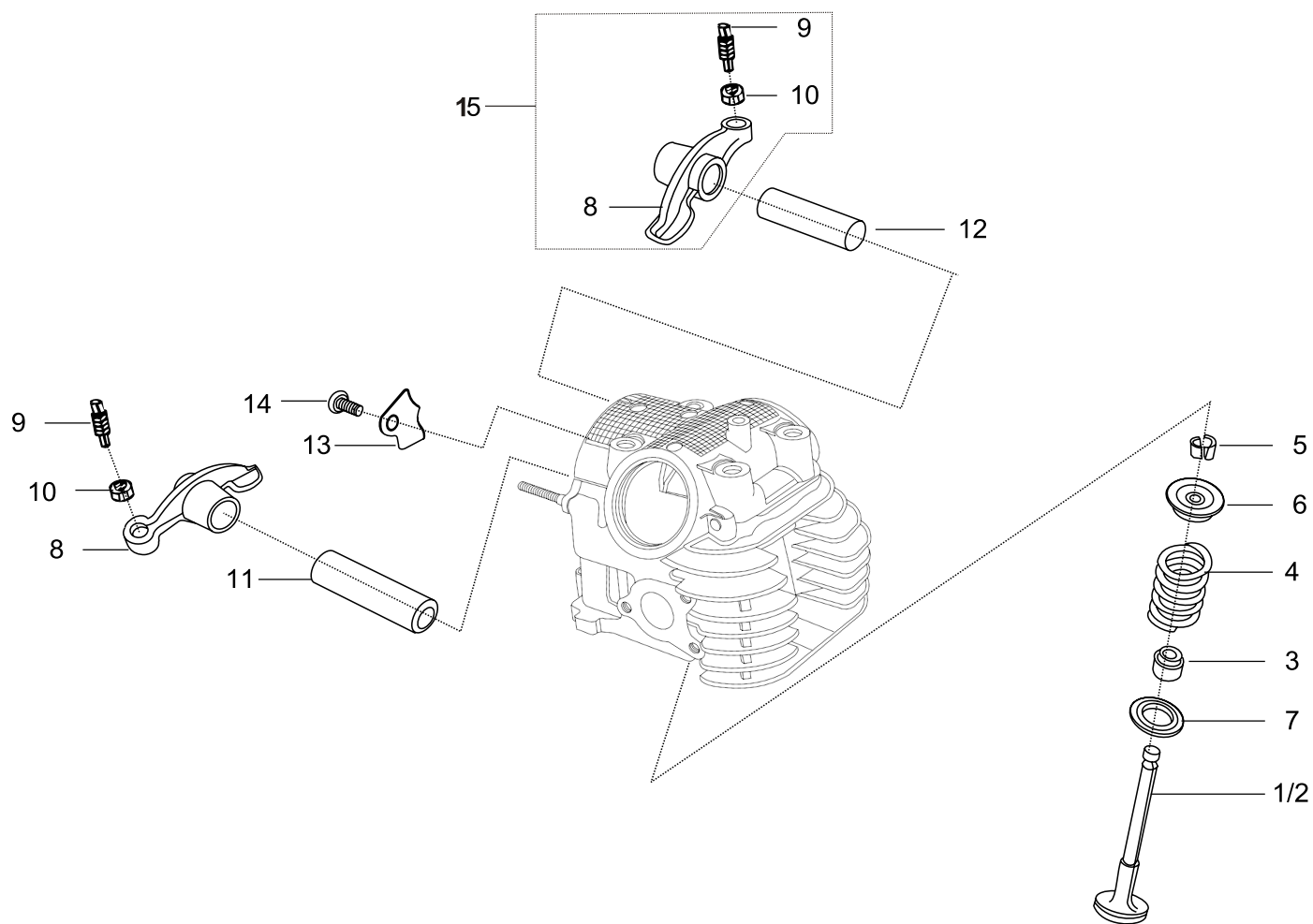
No.	Part No.	Description	Qty.	Remarks
1	36010121	DEEP GROOVE BALL BEARING (63/28)P5	2	
2	36010119	PRIMARY DRIVE GEAR	1	
	AA101602	PRIMARY DRIVE GEAR	1	B
3	36010125	TIMING DRIVE SPROCKET	1	
	AA101424	TIMING DRIVE SPROCKET	1	B
4	36010122	WOODRUFF KEY 3x4x13	2	
5	36010120	CRANKSHAFT ASSY.	1	
6	36010117	PLUNGER	1	
7	36010118	SPRING PLUNGER	1	
8	36010124	WASHER 43x2x66	1	
9	36010123	WOODRUFF KEY 4x6.5x16	1	

TABLE - F : CYLINDER HEAD ASSEMBLY

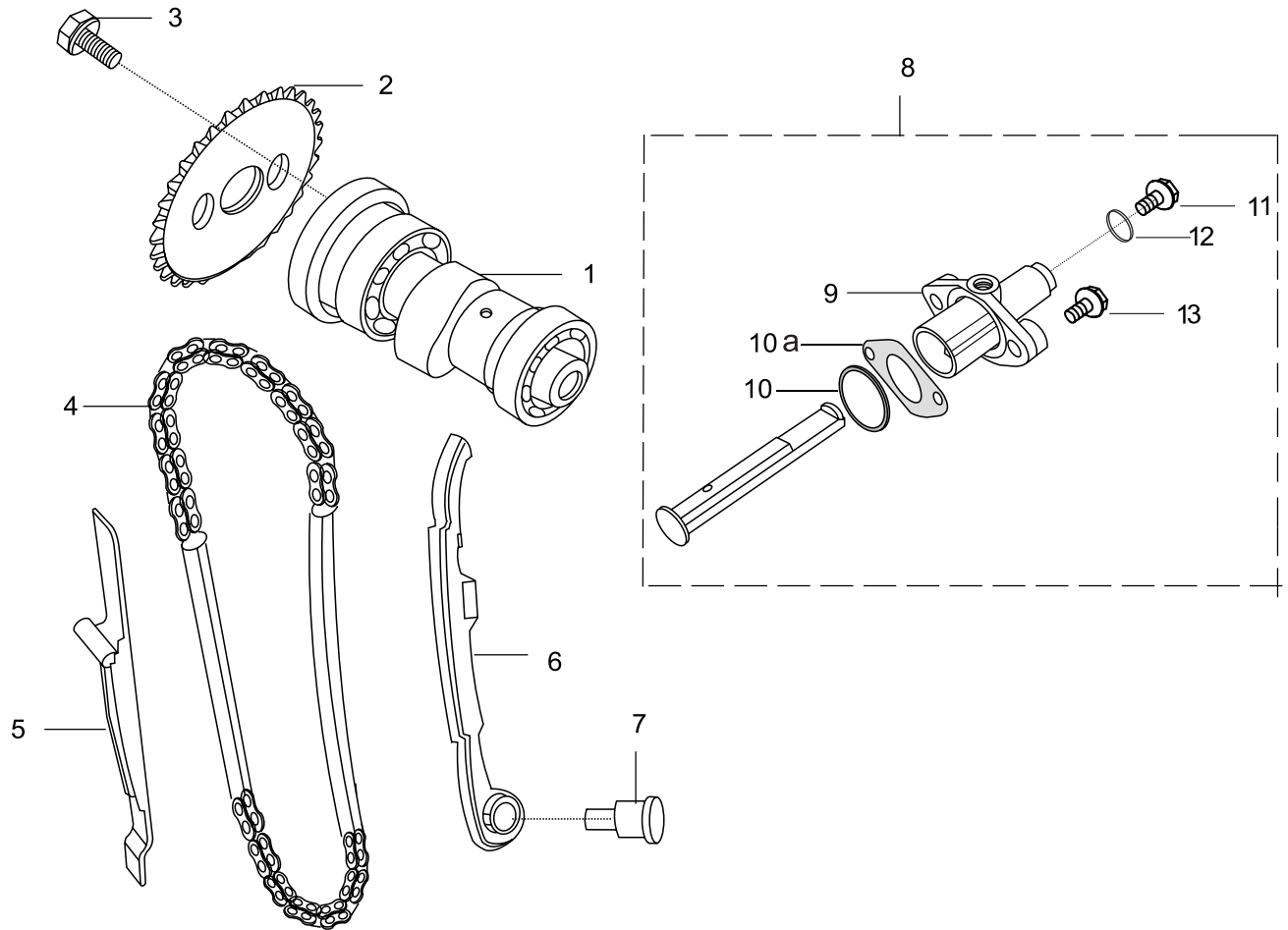


No.	Part No.	Description	Qty.	Remarks
1	36010019	CYLINDER HEAD SET	1	
2	36010018	STUD M8x45	2	
3	36010026	GASKET, CYLINDER HEAD	1	
4	36010011	COVER, CYLINDER HEAD	1	
	28101119	COVER, CYLINDER HEAD	1	B
5	36010012	O-RING 73x2	1	
6	36010013	STUD M6x50	2	
7	80930060	HEX FLANGED NUT M6	2	
8	36010027	DOWEL PIN 10x16	2	
9	36010028	OIL BUSH (CYL BLOCK)	1	
10	36010016	CAP, VALVE	2	
	13101031	CAP, VALVE	2	B
11	36010017	O-RING 45x3	2	
	LJ A0003	O-RING 45x3	2	B
12	36010039	INSULATOR, INLET PIPE	1	
13	36010035	O-RING, INSULATOR	1	
14	36010015	COPPER WASHER 8.5x2.0x18	4	
15	36010014	HEX FLANGE DOME CAP NUT M8	4	
16	36010038	INLET PIPE	1	
17	36010023	HEX FLANGE SCREW M6x25	5	
18	36010020	HEX FLANGE BOLT M6x120	2	
19	36010025	O-RING 27.4x2.65	1	
20	36010032	SPARK PLUG	1	
21	36017030	CARBURETOR ASSY. (UCAL - PETROL)	1	
22	36015041	TUBE CONNECTOR	1	
23	36015042	TUBE RUBBER (LENGTH - 35.5 MM)	1	
24	36015044	TUBE RUBBER (LENGTH - 100 MM)	1	
25	36015045	TUBE RUBBER (LENGTH - 130 MM)	1	
26	36010227	CLIP	1	

TABLE - G : VALVE

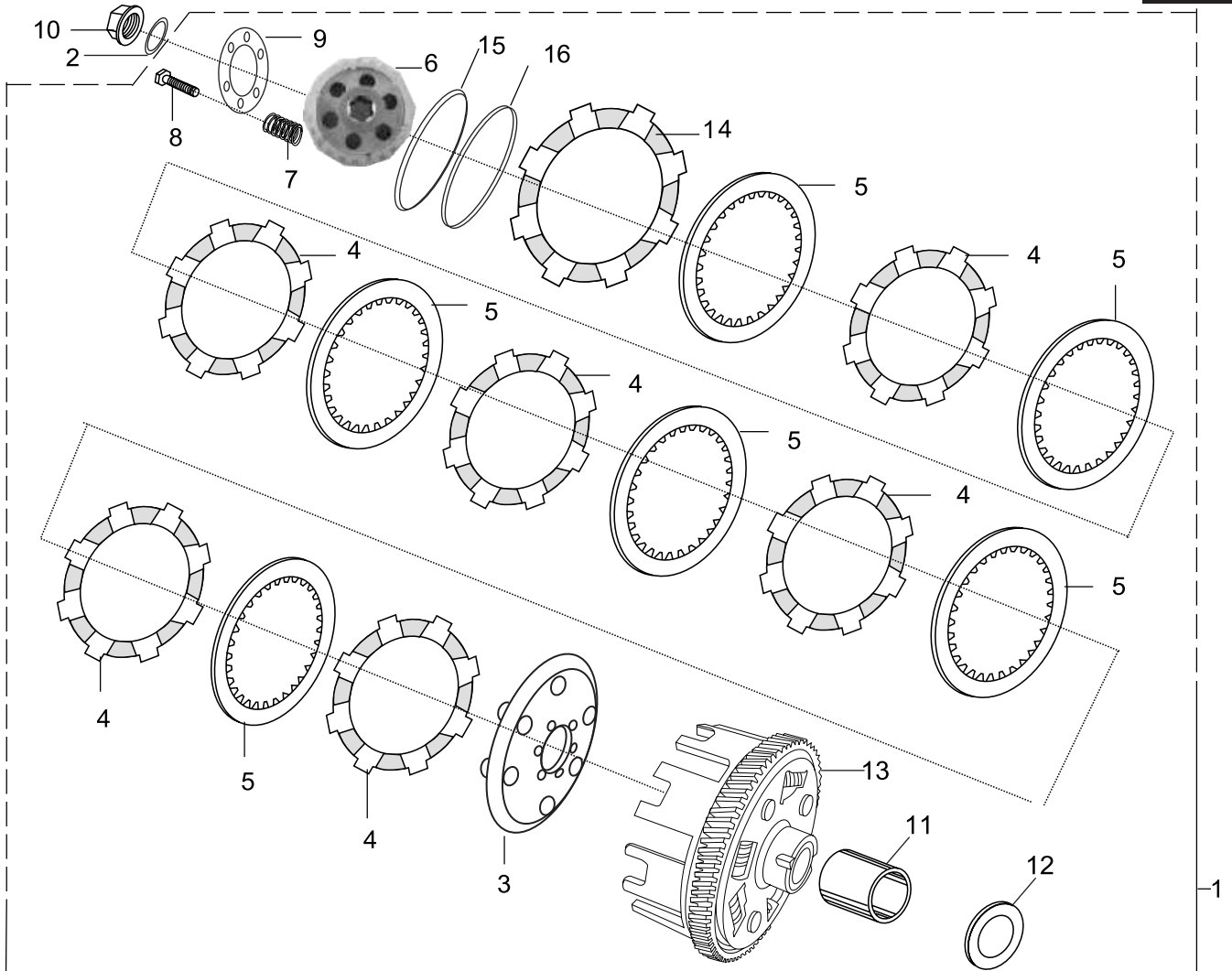


No.	Part No.	Description	Qty.	Remarks
1	36010052	INTAKE VALVE	1	
2	36010053	EXHAUST VALVE	1	
3	36010050	OIL SEAL, VALVE STEM	2	B
	39103519	OIL SEAL, VALVE STEM	2	
4	36010049	SPRING, VALVE	2	
5	36010047	COLLET	4	
6	36010048	UPPER SEAT, VALVE SPRING	2	
	31101018	UPPER SEAT, VALVE SPRING	2	B
7	36010051	OUTER SEAT, VALVE SPRING	2	
	28101129	OUTER SEAT, VALVE SPRING	2	B
8	36010044	ROCKER ARM, VALVE	2	
	31101020	ROCKER ARM, VALVE	2	B
9	36010042	ADJUSTING SCREW, VALVE GAP	2	
10	36010043	LOCK NUT	2	
	39097315	LOCK NUT	2	B
11	36010046	INLET VALVE SHAFT	1	
	AA101137	INLET VALVE SHAFT	1	B
12	36010066	EXHAUST VALVE SHAFT	1	
13	36010041	ROCKER SHAFT POSITIONING PLATE	1	
14	36010054	HEX FLANGE SCREW M6x12	1	
15	36010045	ROCKER ARM COMP	2	
16	36010500	KIT ENGINE VALVE	1	Included Fig. 1,2,3



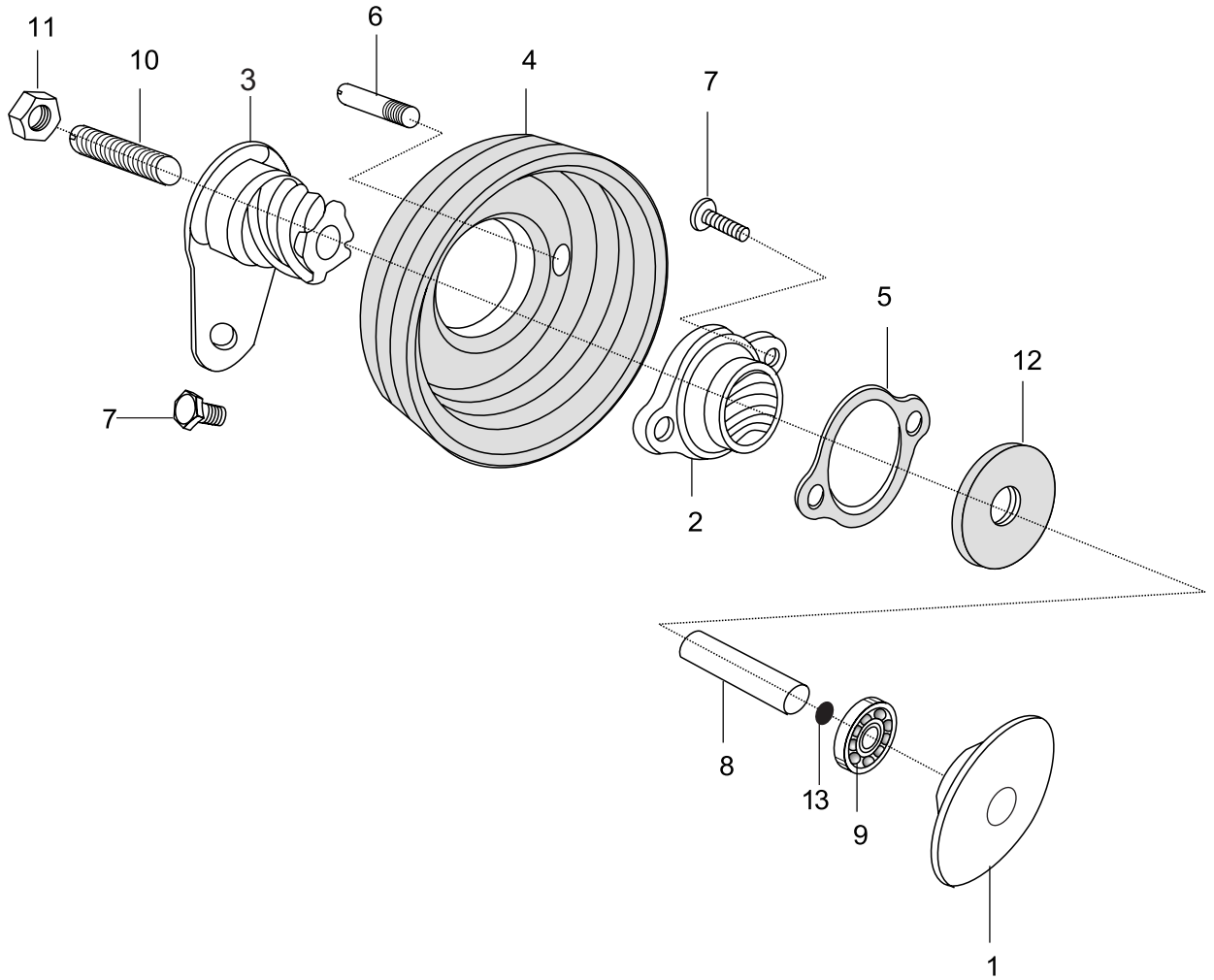
No.	Part No.	Description	Qty.	Remarks
1	36010056	CAMSHAFT ASSY	1	
	AA101666	CAMSHAFT ASSY	1	B
2	36010055	TIMING SPROCKET, DRIVEN	1	
	28101167	TIMING SPROCKET, DRIVEN	1	B
3	36010054	HEX FLANGE SCREW M6x12	2	
4	36010057	TIMING CHAIN	1	
5	36010058	CHAIN GUIDE PLATE	1	
	AA101564	CHAIN GUIDE PLATE	1	B
6	36010059	CHAIN TENSIONER PLATE	1	
	AA101565	CHAIN TENSIONER PLATE	1	B
7	36010060	CHAIN GUIDE PIN	1	
8	36010065	TENSIONER ASSLY, CHAIN	1	
	AA101604	TENSIONER ASSLY, CHAIN	1	B
9	36010062	TENSIONER BODY	1	
10	36010061	O-RING 22x3	1	
10a	36015043	GASKET, CHAIN TENSIONER	1	
11	36010064	TENSIONER ,NUT	1	
12	36010063	O-RING 8.8x1.9	1	
13	80477298	HEX FLANGED SCREW M6X25	2	

TABLE - I : CLUTCH ASSEMBLY



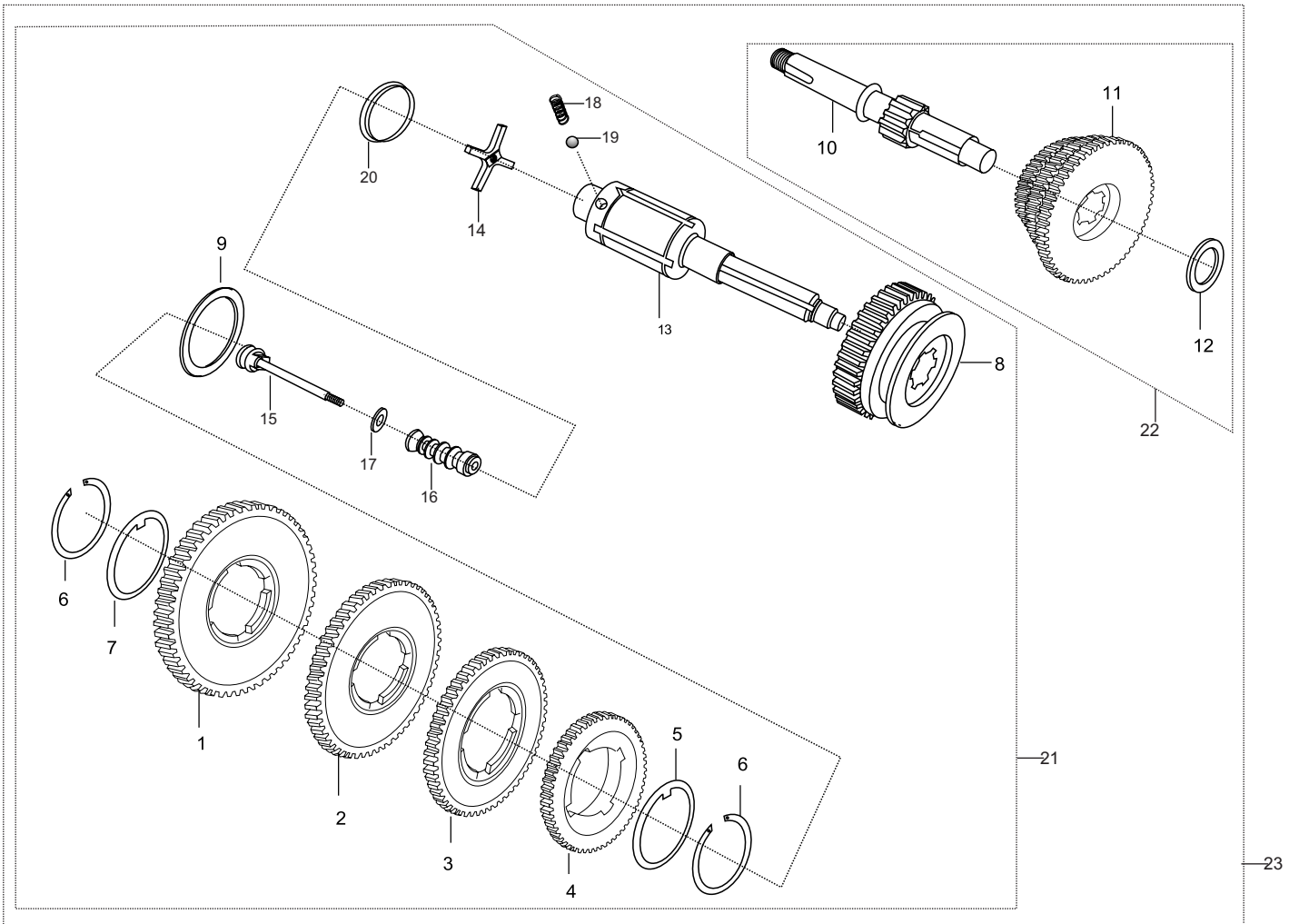
No.	Part No.	Description	Qty.	Remarks
1	36020060	ASSEMBLY CLUTCH	1	
2	36020026	WASHER	1	
3	36020070	WHEEL CLUTCH	1	
4	36020067	FRICTION PLATE	1	Includes 6 plates
5	36020068	PLATE CLUTCH	1	Includes 6 plates
6	36020063	HUB CLUTCH	1	
7	36020069	COMPRESSION SPRING	1	Includes 6 Springs
8	36020072	BOLT M5x0.8	6	
9	36020071	HOLDER CLUTCH	1	
10	36020002	LOCK NUT M16x1.5	1	
11	36020011	DECLUTCH SLEEVE	1	
12	36020012	WASHER	1	
13	36020061	HOUSING CLUTCH ASSY.	1	
14	36020066	REDUCED FRICTION PLATE	1	
15	36020065	JUDDER PLATE	1	
16	36020064	JUDDER SPRING	1	
17	36020034	KIT FRICTION PLATE	1	Includes sr. no 4 & 14

TABLE - J : CLUTCH LEVER ASSEMBLY



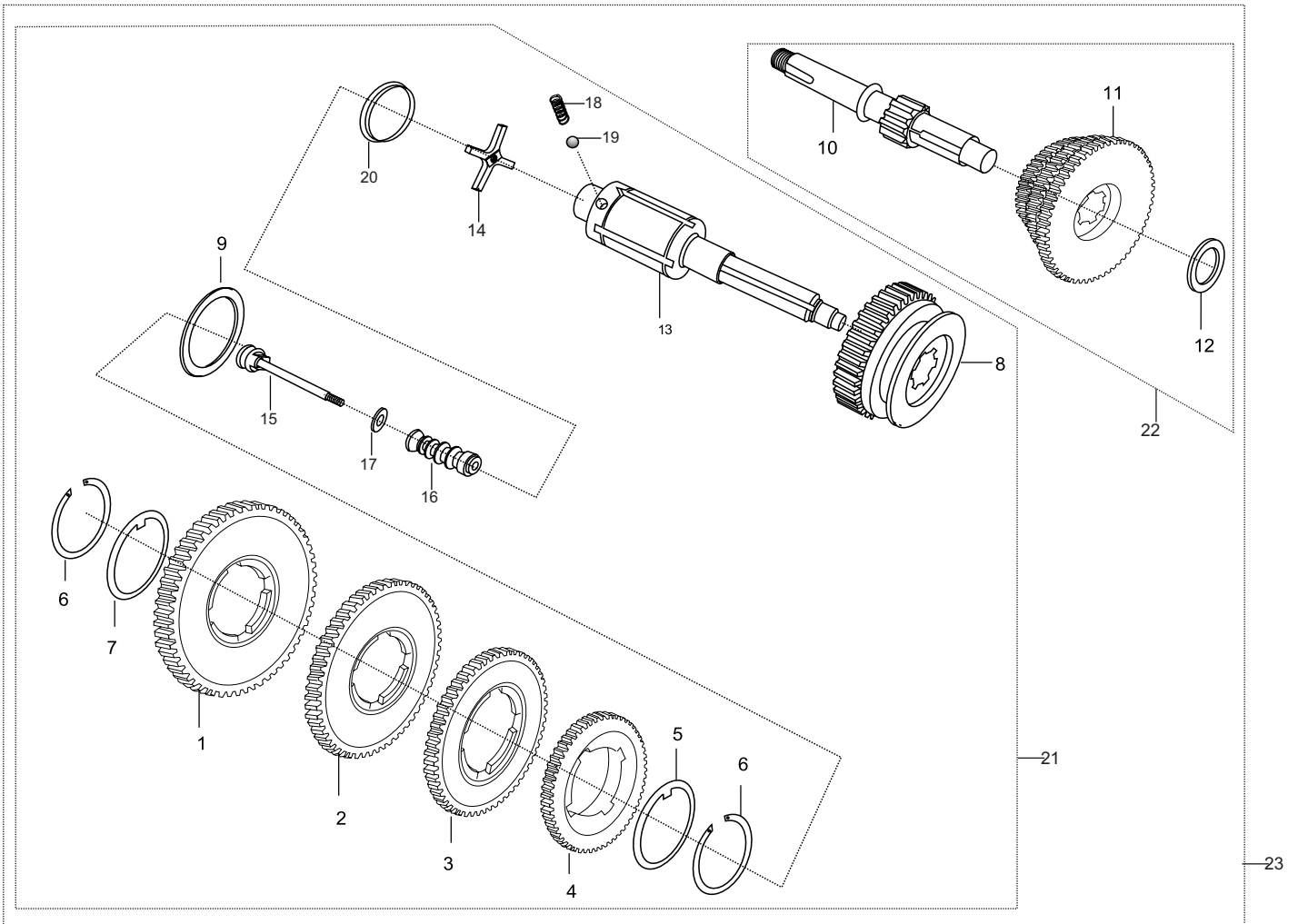
No.	Part No.	Description	Qty.	Remarks
1	36020024	AXLE SLEEVE	1	
2	36020020	CLUTCH PRESSURE PLATE	1	
3	36020016	CLUTCH LEVER ASSY	1	
4	36020018	CLUTCH RUBBER BOOT	1	
5	36020013	CLUTCH GASKET	1	
6	36020017	STOPPER BOLT	1	
7	36030083	HEX FLANGE SCREW M6x16	2	
8	36020025	PUSHING RELEASE ROD	1	
9	36020030	Deep Groove Ball Bearing (16003/P6) (17x35x8))	1	
10	36020028	CLUTCH ADJ BOLT	1	
11	80930060	HEX FLANGED NUT M6	2	
12	36020021	OIL SEAL	1	
13	36020022	BUSH CLUTCH PUSH ROD	1	

TABLE - K : GEAR TRANSMISSION



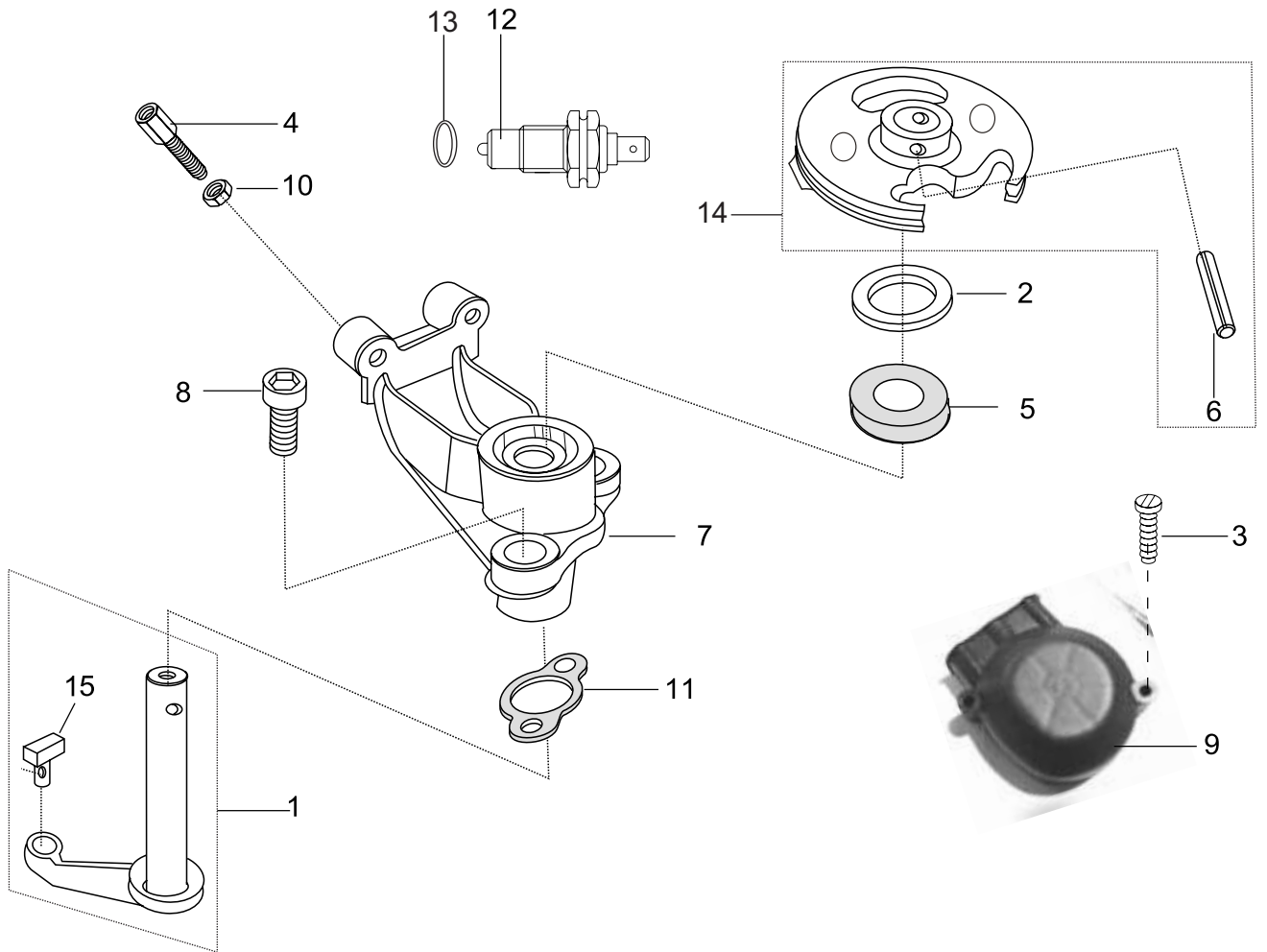
No.	Part No.	Description	Qty.	Remarks
1	36030014	GEAR C-1	1	
2	36030013	GEAR C-2	1	
	AA101051	GEAR C-2	1	B
3	36030012	GEAR C-3	1	
	AA101052	GEAR C-3	1	B
4	36030011	GEAR C-4	1	
	AA101053	GEAR C-4	1	B
5	36030010	WASHER 48.2X2.2X56.5	1	
6	36030009	CIRCLIP	2	
7	36030015	WASHER 7.6X0.8X18	1	
8	36030008	GEAR EXPORT	1	
9	36030002	WASHER 26X2X45	1	
10	36030020	TRANSMISSION MAIN SHAFT	1	
11	36030021	GEAR	1	
12	36030022	WASHER 18.1X2X31	1	
13	36030007	COUNTER SHAFT	1	
14	36030004	CROSS	1	
	AB101067	P.T.CROSS	1	B
15	36030018	DRAW OF STALL	1	
	AA101054	DRAW OF STALL	1	B
16	36030016	GEAR SHIFTER	1	
	AA101108	GEAR SHIFTER	1	B
17	36030017	WASHER 7.6X0.8X18	1	
18	36030005	SPRING	2	
19	36030006	STEEL BALL	2	
20	36030003	CIRCLE	1	
21	36030001	ASSY., COUNTER SHAFT	1	
22	36030019	ASSEMBLY, MAIN SHAFT	1	

TABLE - K : GEAR TRANSMISSION



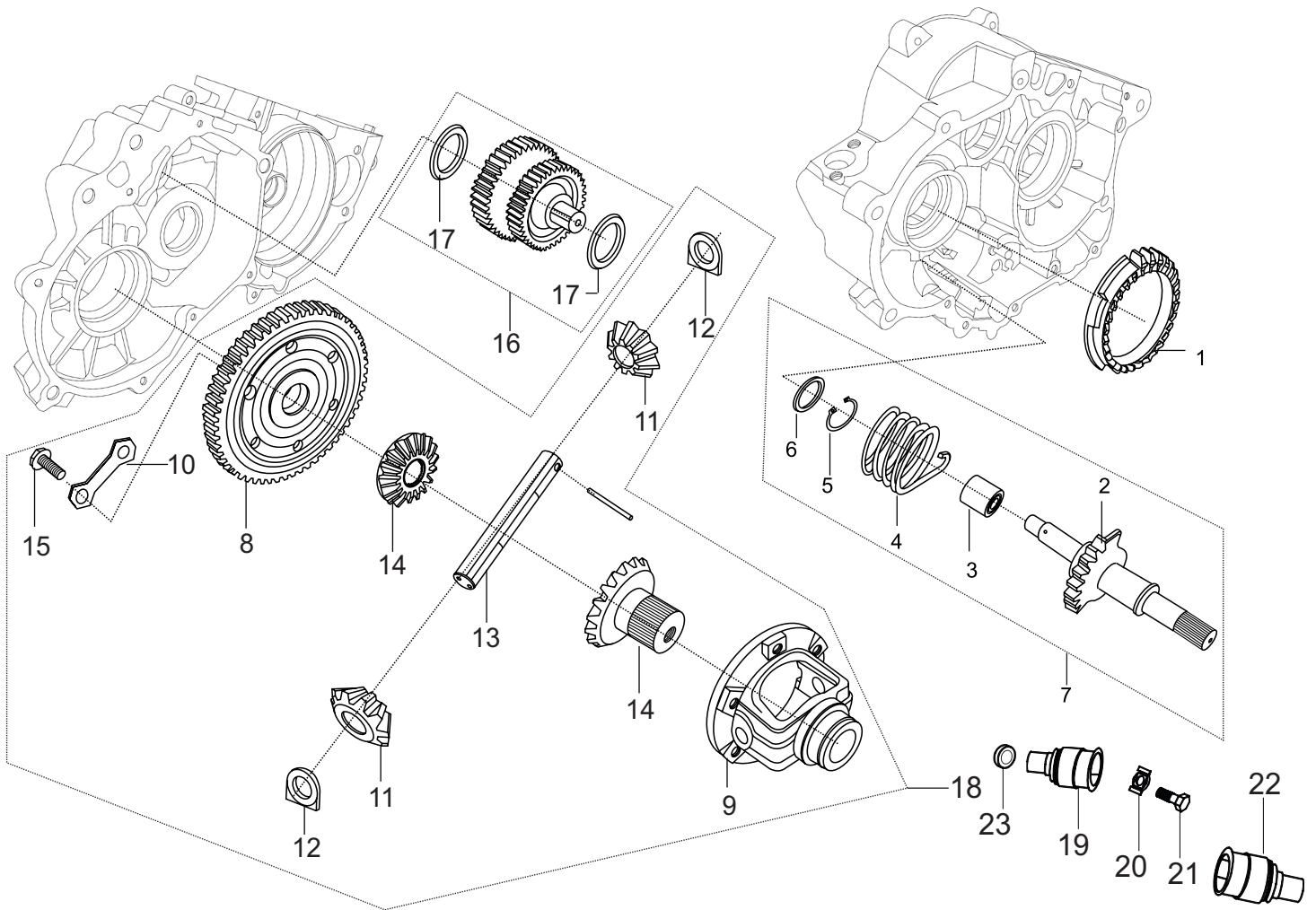
No.	Part No.	Description	Qty.	Remarks
23	36030053	ASSEMBLY, COUNTER SHAFT	1	

TABLE - L : SELECTOR SHIFTER ASSEMBLY



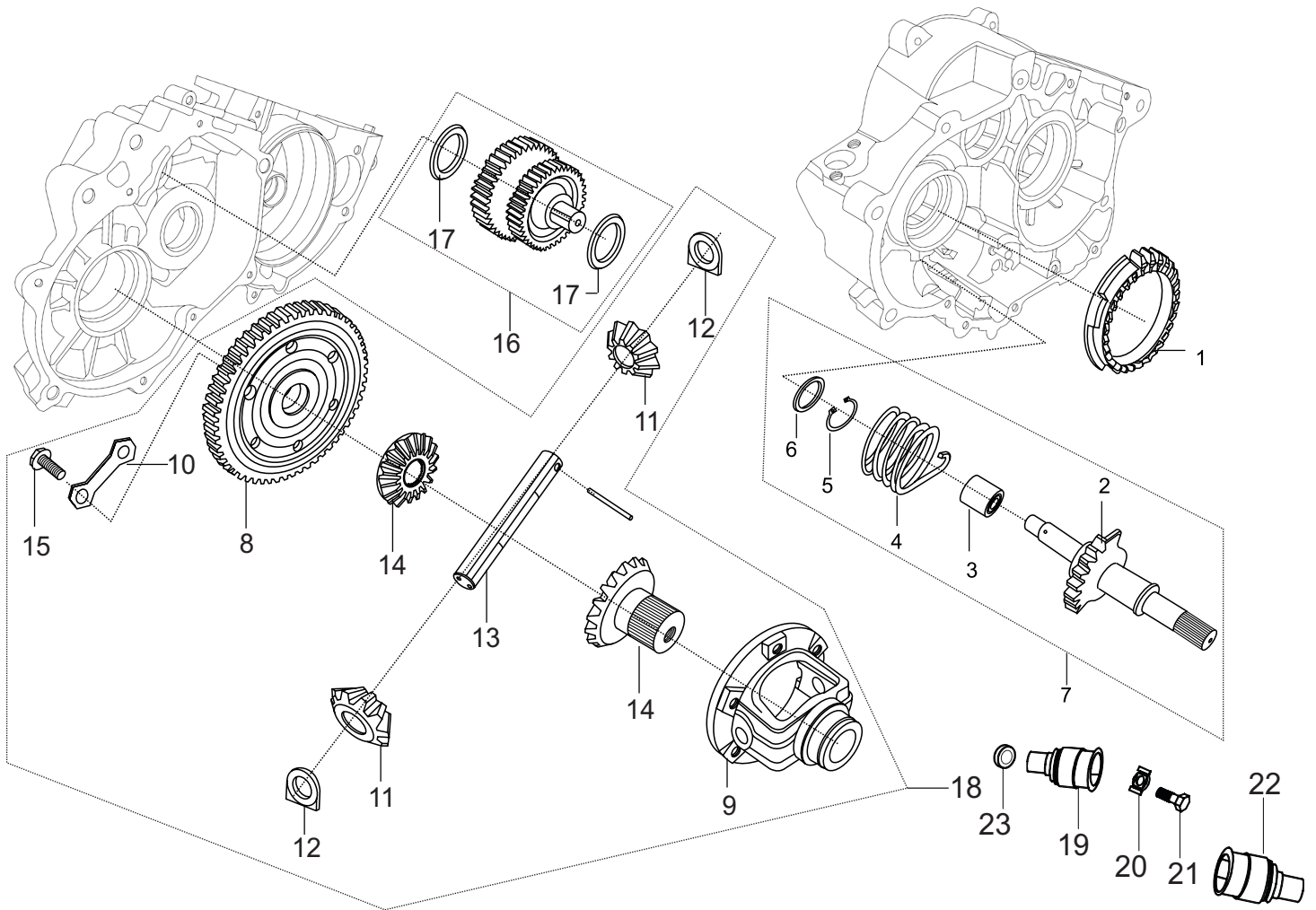
No.	Part No.	Description	Qty.	Remarks
1	36030080	SHIFT FORK SHAFT	1	
2	36030089	WASHER 10x2x27	1	
3	36030093	HEX FLANGE SCREW M5x25	2	
4	36030087	ADJUSTER	2	
5	36030088	OIL SEAL (18x10x5)	1	
	39104719	OIL SEAL (18x10x5)	1	B
6	36010100	SPLIT PIN DIA.4	1	
7	36030082	FLANGE (GEAR SHIFTER)	1	
8	36030083	HEX FLANGE SCREW M6x16	2	
9	36030092	COVER	1	
10	36030086	NUT M6	2	
11	36030081	GASKET SHIFTER FLANGE	1	
12	36030085	INDICATOR NEUTRAL	1	
13	36030084	WASHER 12.4x2x20	1	
14	36030091	PLATE GEARSHIFT	1	
15	36017162	SLIDER - GEAR SHIFT FWD	1	

TABLE - M : STARTING MECHANISM & DIFFERENTIAL ASSEMBLY



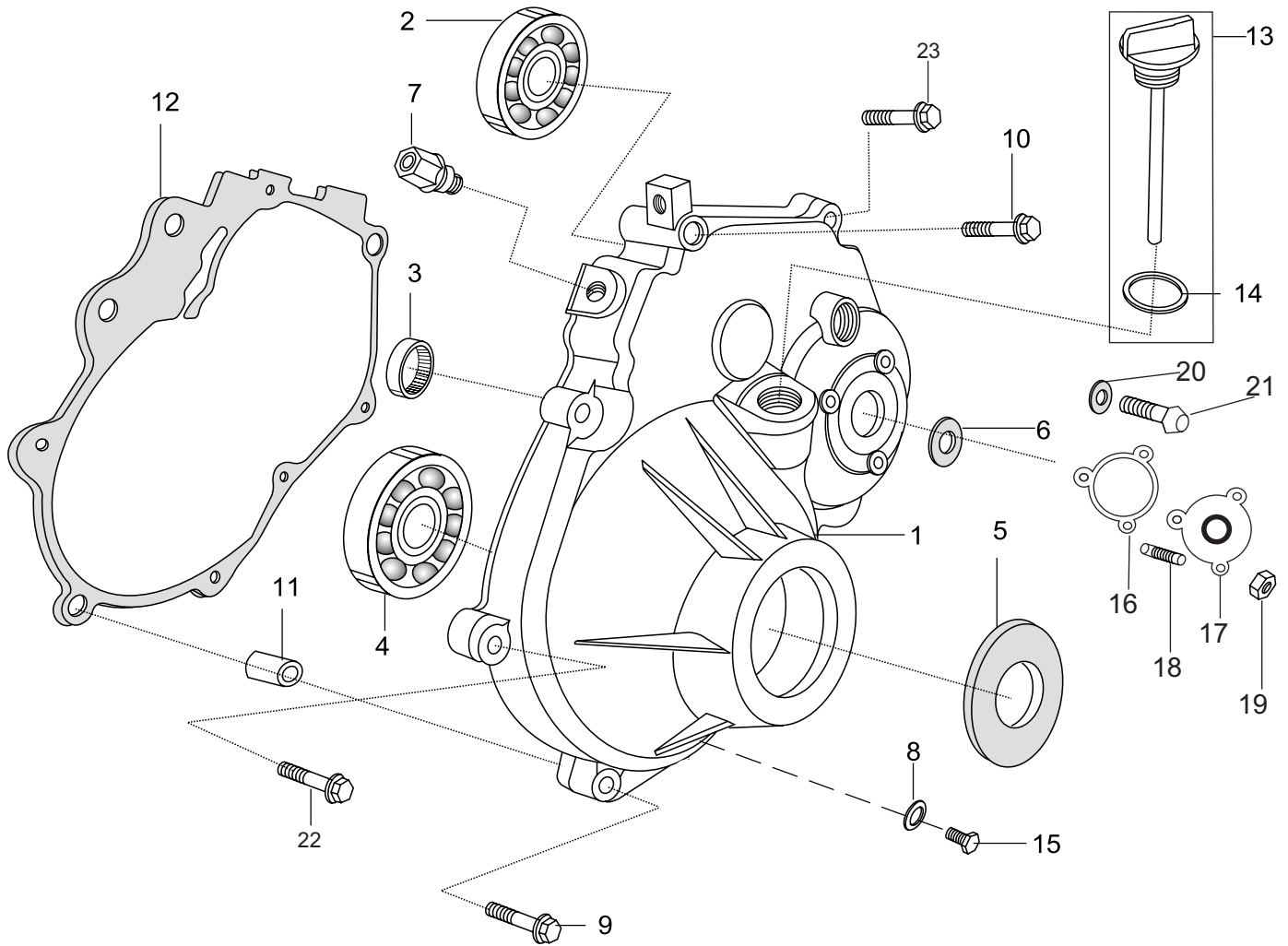
No.	Part No.	Description	Qty.	Remarks
1	36030046	STARTER DRIVEN GEAR	1	
2	36030052	SECTOR GEAR ASSY.	1	
3	36030051	RETURN SPRING SEAT	1	
4	36030050	HAND START RETURN SPRING	1	
5	36030049	SPL CIRCLIP (START SHAFT)	1	
6	36030048	WASHER 18.2x1.7x28	1	
7	36030047	HAND START SHAFT COMP	1	
8	36030025	DIFFERENTIAL GEAR	1	
9	AA131002	DIFFERENTIAL GEAR	1	B
	36030030	DIFFERENTIAL HOUSING	1	
	AA131033	DIFFERENTIAL ASSY.	1	B
10	36030032	LOCK WASHER	3	
11	36030028	BEVEL GEAR	2	
	22131018	BEVEL GEAR	2	B
12	36030027	SPACER	2	
	22131014	SPACER	2	B
13	36030029	BEVEL GEAR PIN	1	
	24131032	BEVEL GEAR PIN	1	B
14	36030026	PLANET GEAR	2	
15	80457376	HEX HEAD SCREW M8x20	6	
16	36030023	IDLE GEAR	1	
	AA101057	IDLE GEAR	1	B
17	36030024	WASHER 16.1x3x29.8	2	
18	36030031	DIFFERENTIAL ASSY.	1	
19	36030034	FLANGE ENGINE SIDE LH	1	
20	36030035	LOCK WASHER ASSY.	2	
21	36030036	BOLT M8x16	2	
22	36030042	FLANGE ENGINE SIDE Rh	1	

TABLE - M : STARTING MECHANISM & DIFFERENTIAL ASSEMBLY



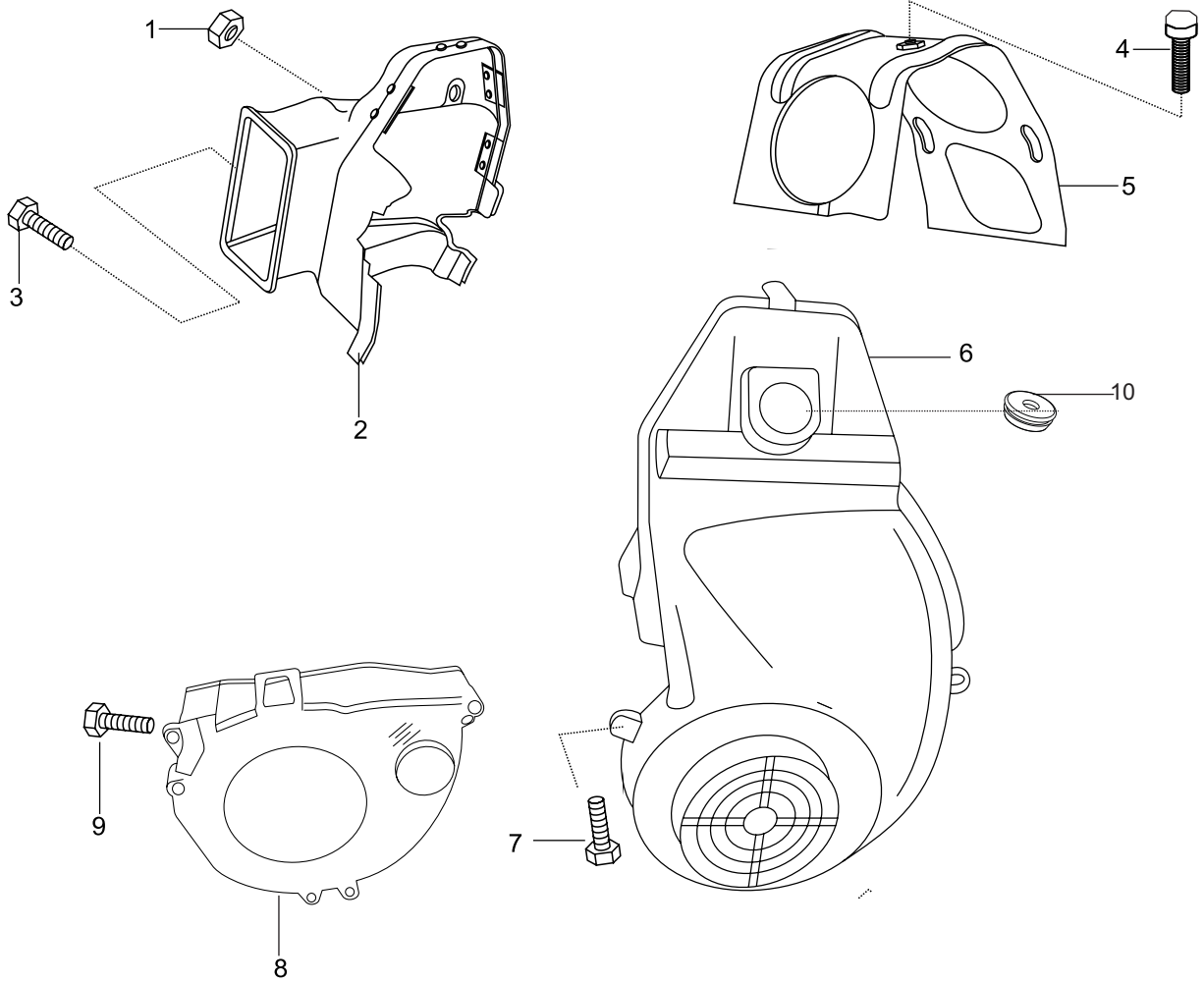
No.	Part No.	Description	Qty.	Remarks
23	36030054	O RING 19x1.8	2	
24	36040200	KIT SATELLITE GEAR	1	Included Fig. 11,14

TABLE - N : DEFERENTIAL COVER



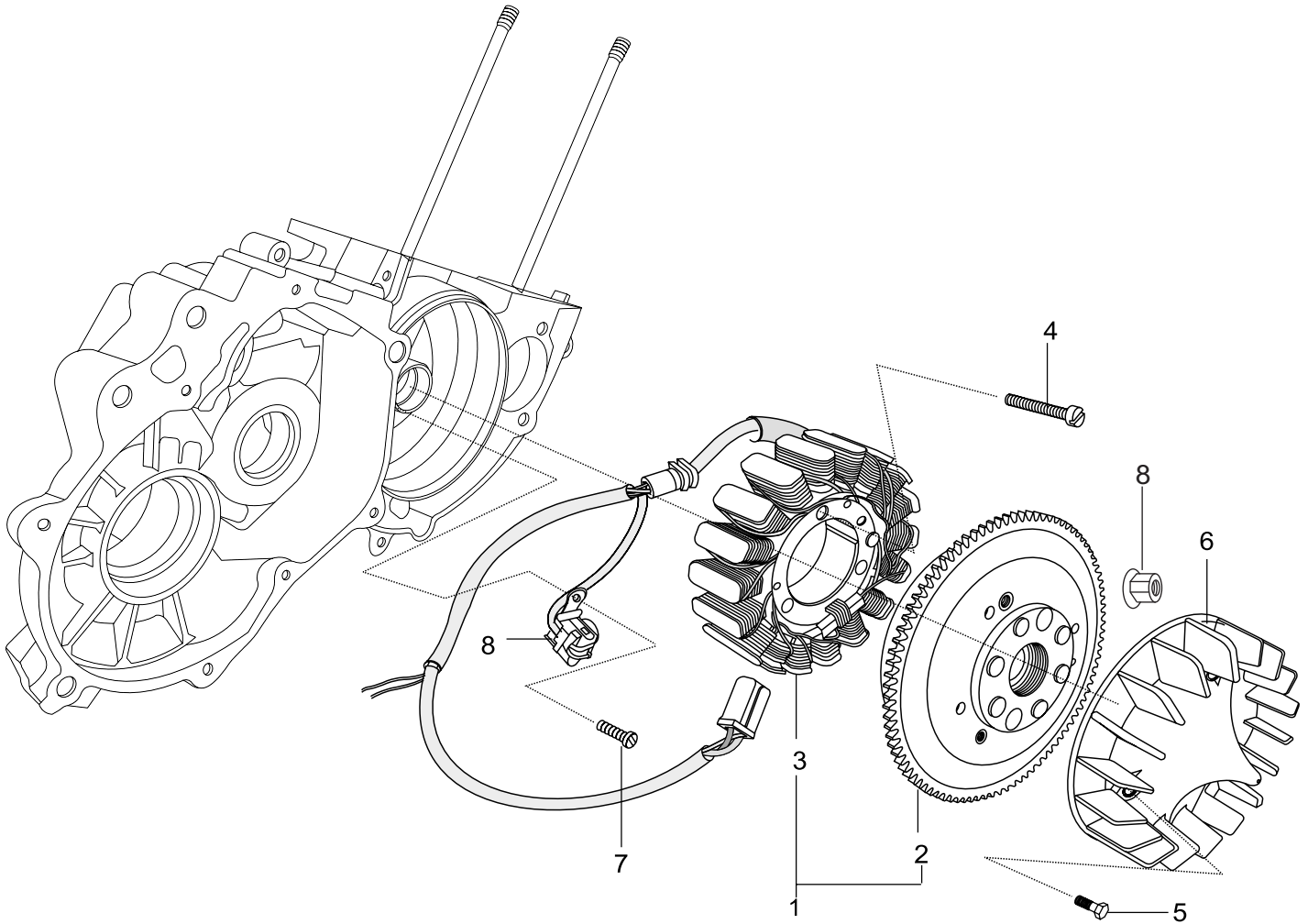
No.	Part No.	Description	Qty.	Remarks
1	36010182	CRANK CASE COVER	1	
	AA131014	CRANK CASE COVER	1	B
2	36010163	DEEP GROOVE BALL BEARING (16007/PC)(35X62X9)	1	
3	36010161	NEEDLE ROLLER BEARING (Nk162416)	1	
4	36010179	BALL BEARING(6302/P6)	1	
5	36010097	OIL SEAL (50x33x6)	1	
6	36010174	OIL SEAL(15x25x6)	1	
7	36010162	SPECIAL BLOT (M7x7)	1	
8	36010177	WASHER 6.5x1x12	1	
9	36010206	HEX FLANGE SCREW M6x30	4	
10	36010165	HEX FLANGE BOLT M6x50	1	
11	36010030	DOWEL PIN 10x14	2	
12	36010160	GASKET CRANK CASE COVER LH	1	
13	36010167	DIPSTICK (DIFF COVER)	1	
14	36010166	O-RING 13.8x2.3	1	
15	36010054	HEX FLANGE SCREW M6x12	1	
16	36010168	GASKET	1	
17	36010169	FARE METER COVER	1	
18	36010171	FARE METER STUD (M6 × 35)	3	
19	80930060	HEX FLANGED NUT M6	3	
20	36010180	WASHER 12.5X1.5X20	1	
21	36010181	NEUTRAL SWITCH	1	
22	36010072	HEX FLANGE BOLT M6X35	3	
23	36010130	HEX FLANGE SCREW M6X32	1	

TABLE - O : COWLINGS



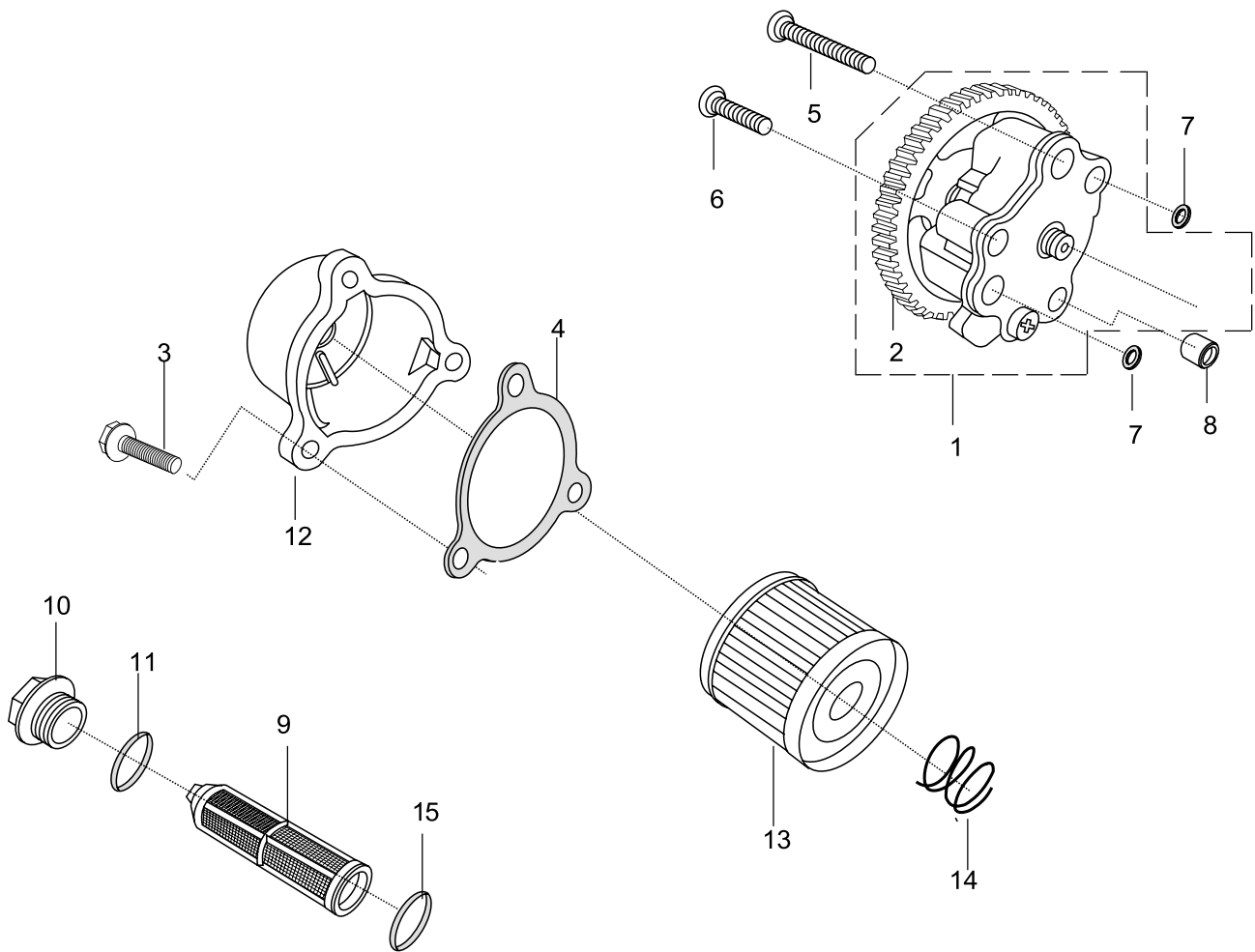
No.	Part No.	Description	Qty.	Remarks
1	80930060	HEX FLANGED NUT M6	2	
2	36010201	COWLING `B`	1	
3	36010133	HEX FLANGE BOLT M6x65	1	
4	36010203	HEX FLANGE SCREW M6x20	1	
5	36010204	CENTRAL COVER	1	
6	36010205	COWLING `A`	1	
7	36010206	HEX FLANGE SCREW M6x30	3	
8	36010207	COWLING `C`	1	
9	36010148	HEX FLANGE SCREW M6x20	3	
10	36090031	GROMMET SPARK PLUG CAP	1	

TABLE - P : MAGNETO ASSEMBLY



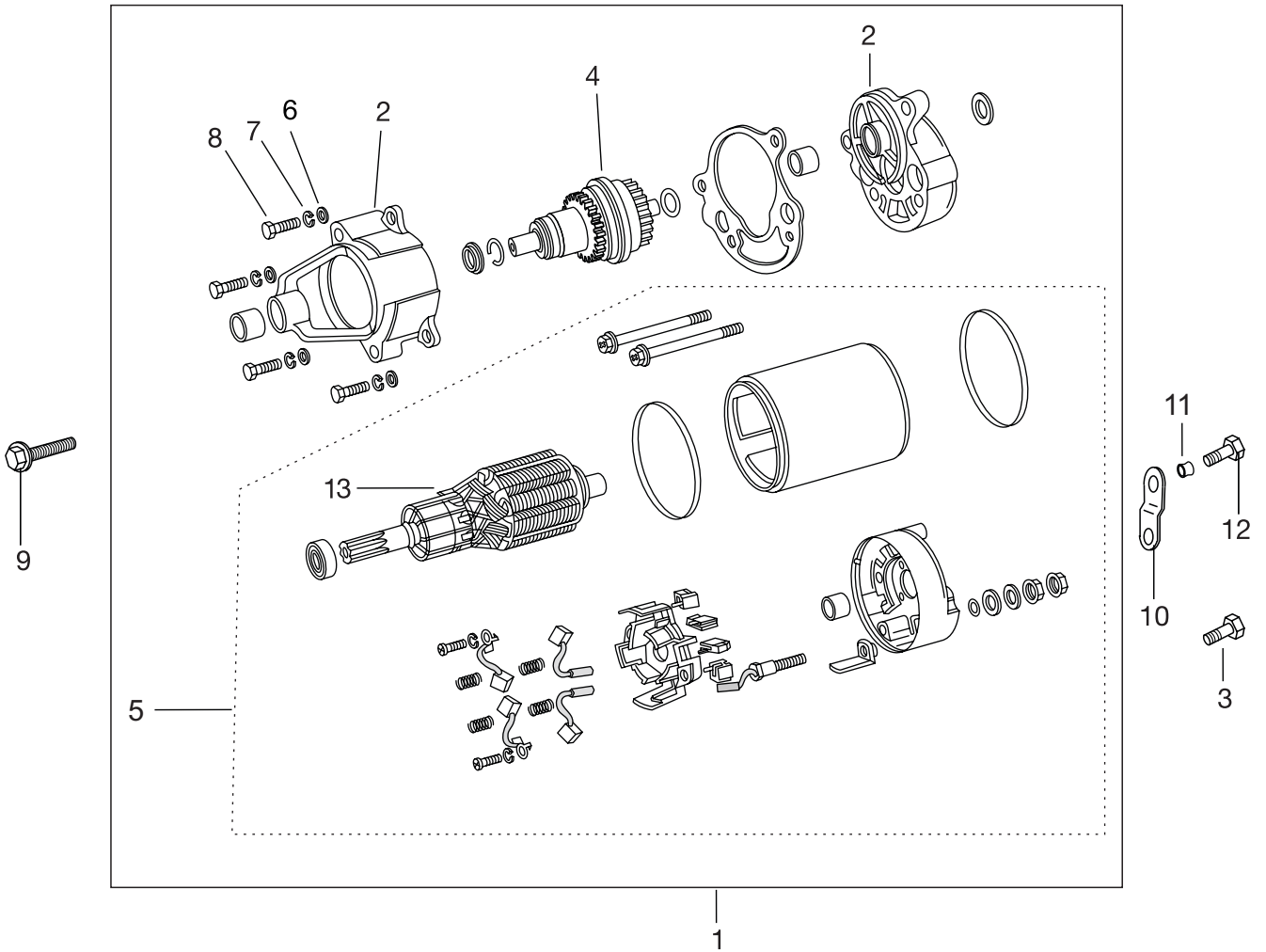
No.	Part No.	Description	Qty.	Remarks
1	36082140	MAGNETO ASSY COMP	1	
2	36080009	ROTOR ASSEMBLY, MAGNETO	1	
3	36080010	STATOR ASSEMBLY, MAGNETO	1	
4	36080003	ROUND HEAD CRS RCS SCREW M5x30	3	
5	36010072	HEX FLANGE BOLT M6x35	3	
6	36080005	FAN	1	
7	36080006	ROUND HEAD CRS RCS SCREW M5x12	2	
8	36080008	NUT M14x1.5	1	

TABLE - Q : OIL PUMP & OIL STRAINER

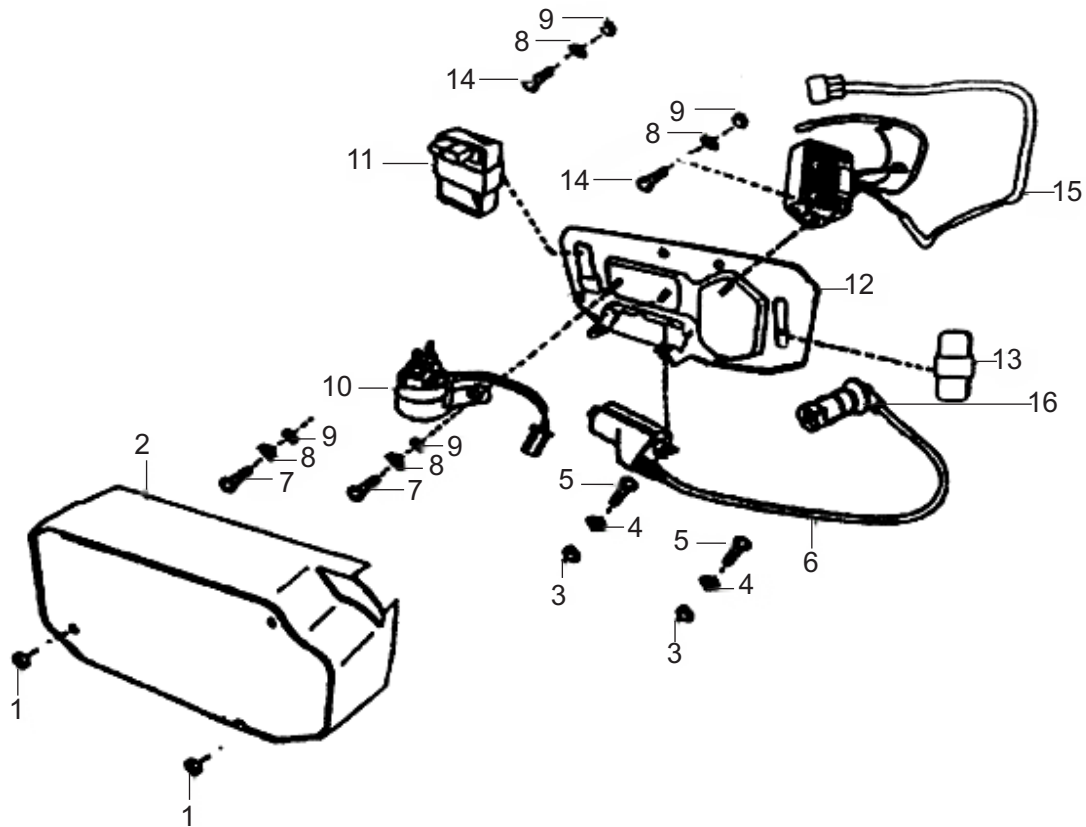


No.	Part No.	Description	Qty.	Remarks
1	36010185	OIL PUMP	1	
	AA121060	OIL PUMP	1	B
2	36010186	GEAR COMP. DRIVEN	1	
3	36010148	HEX FLANGE SCREW M6x20	3	
4	36010147	GASKET OIL FILTER	1	
	AA121010	GASKET OIL FILTER	1	B
5	36010189	ROUND HEAD CRS RCS SCREW M6x35	1	
6	36010190	ROUND HEAD CRS RCS SCREW M6x30	2	
7	36010099	O-RING 9x1.8	2	
8	36010188	PIN 8x12x6.3	1	
	39099906	PIN 8x12x6.3	1	B
9	36010192	OIL STRAINER	1	
	AA101548	OIL STRAINER	1	B
10	36010193	CAP STRAINER	1	
11	36010191	O RING 21X3 (CAP STRAINER)	1	
	51210022	O RING 21X3 (CAP STRAINER)	1	B
12	36010149	OIL FILTER COVER	1	
13	36010146	OIL FILTER ELEMENT	1	
	AA121006	OIL FILTER ELEMENT	1	B
14	36010145	SPRING, OIL FILTER	1	
15	36010194	O RING 18X1.5 (STRAINER)	1	
	39165721	O RING 18X1.5 (STRAINER)	1	B
16	36010300	KIT OIL STRAINER	1	Included Fig. 9,15

TABLE - R : STARTER MOTOR



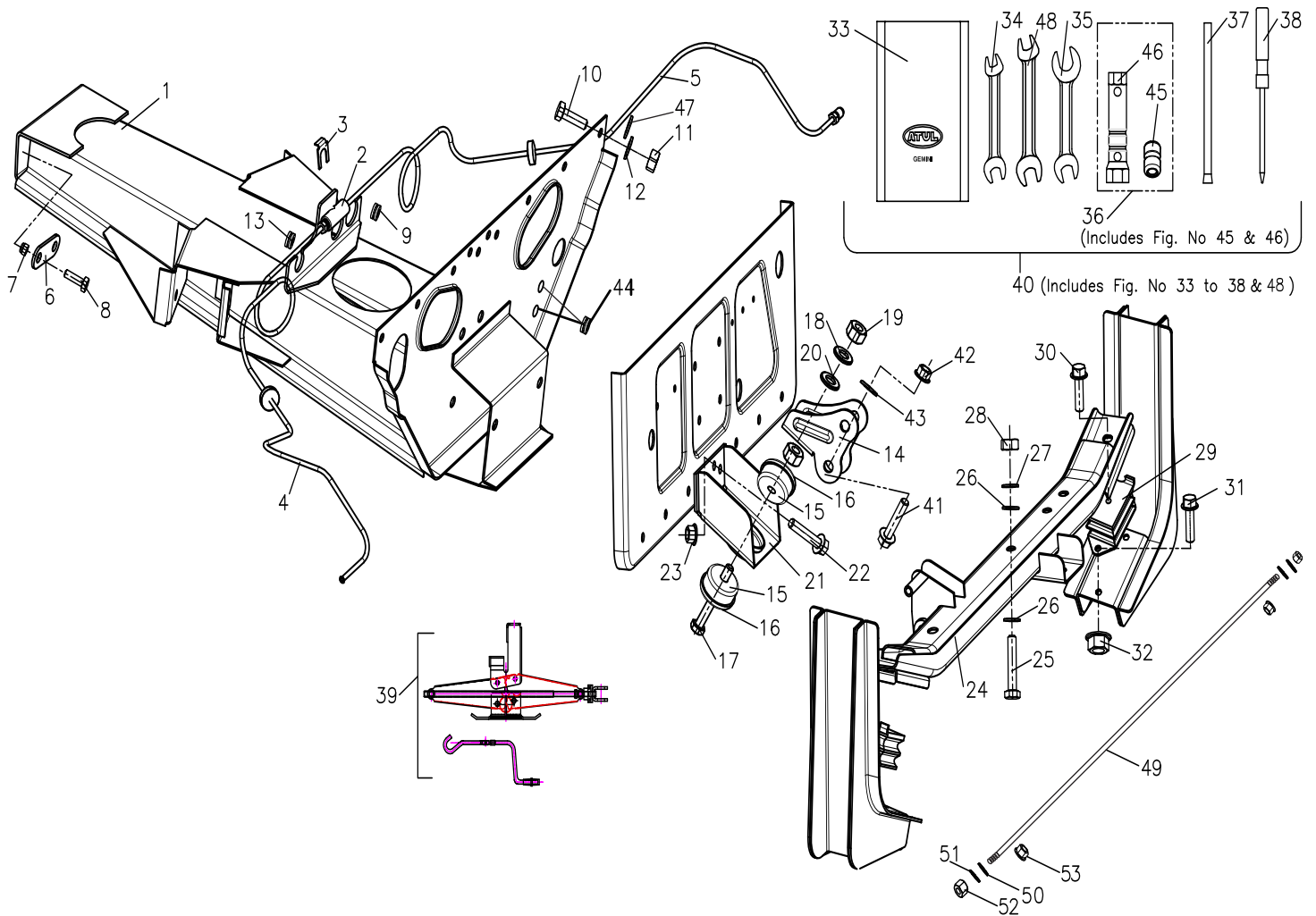
No.	Part No.	Description	Qty.	Remarks
1	33086050	STARTER MOTOR ASSY (VARROC)	1	
2	36080021	STARTER MOTOR GEAR COVER	1	Not supply
3	36080022	HEX FLANGE SCREW M8x16	1	
4	36080023	BENDEX	1	
5	36080024	STARTER MOTOR	1	
6	36080025	WASHER	4	
7	81020053	SPRING WASHER M5	4	
8	36080027	BOLTM5x12	4	
9	36080028	HEX FLANGE SCREW M8x30	3	
10	36080029	STARTER MOTOR MTG BRACKET	1	
11	36080030	GROMMET (STARTER MOTOR MTG BKT)	1	
12	36010148	HEX FLANGE SCREW M6x20	1	
13	33086051	ARMATURE	1	
14	33086052	CARBON BRUSH	1	



No.	Part No.	Description	Qty.	Remarks
1	80930060	HEX FLANGE NUT M6	2	
2	36080041	COWLING	1	
3	73060053	PLAIN WASHER M5	2	
4	81020053	SPRING WASHER M5	2	
5	80457256	HEX HD. SCREW M5x20 CL.8.8 BLACKENED	2	
6	36082100	IGNITION COIL C-CORE CNG (AEL) (HT COIL)	1	
7	80457292	HEX HEAD SCREW M6x12	2	
8	81020064	SPRING WASHER M6	4	
9	73060064	PLAIN WASHER M6	4	
10	36082120	STARTER RELAY	1	
11	36082180	TCI UNIT	1	
12	36052400	PLATE ASSY IGNITION BOX	1	
13	36082170	STARTER MOTOR INTER LOCKING RELAY	1	
14	80477298	HEX HEAD SCREW M6x25	2	
15	36082110	REGULATOR ASSY (AEL)	1	
16	36082101	SUPPRESSOR CAP (SPARK PLUG)	1	For spare

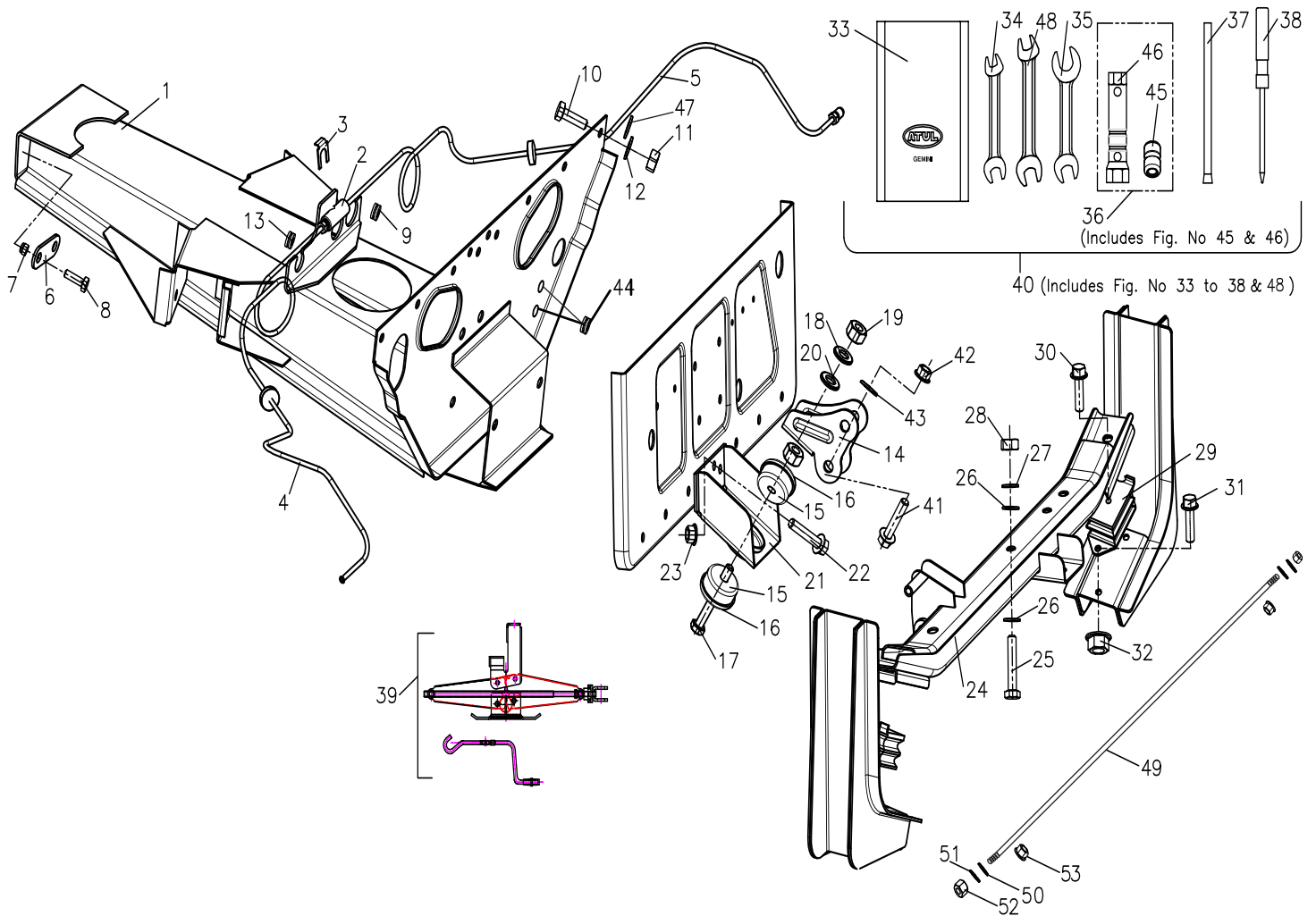
VEHICLE SECTION

TABLE - 1 : ENGINE SUPPORT



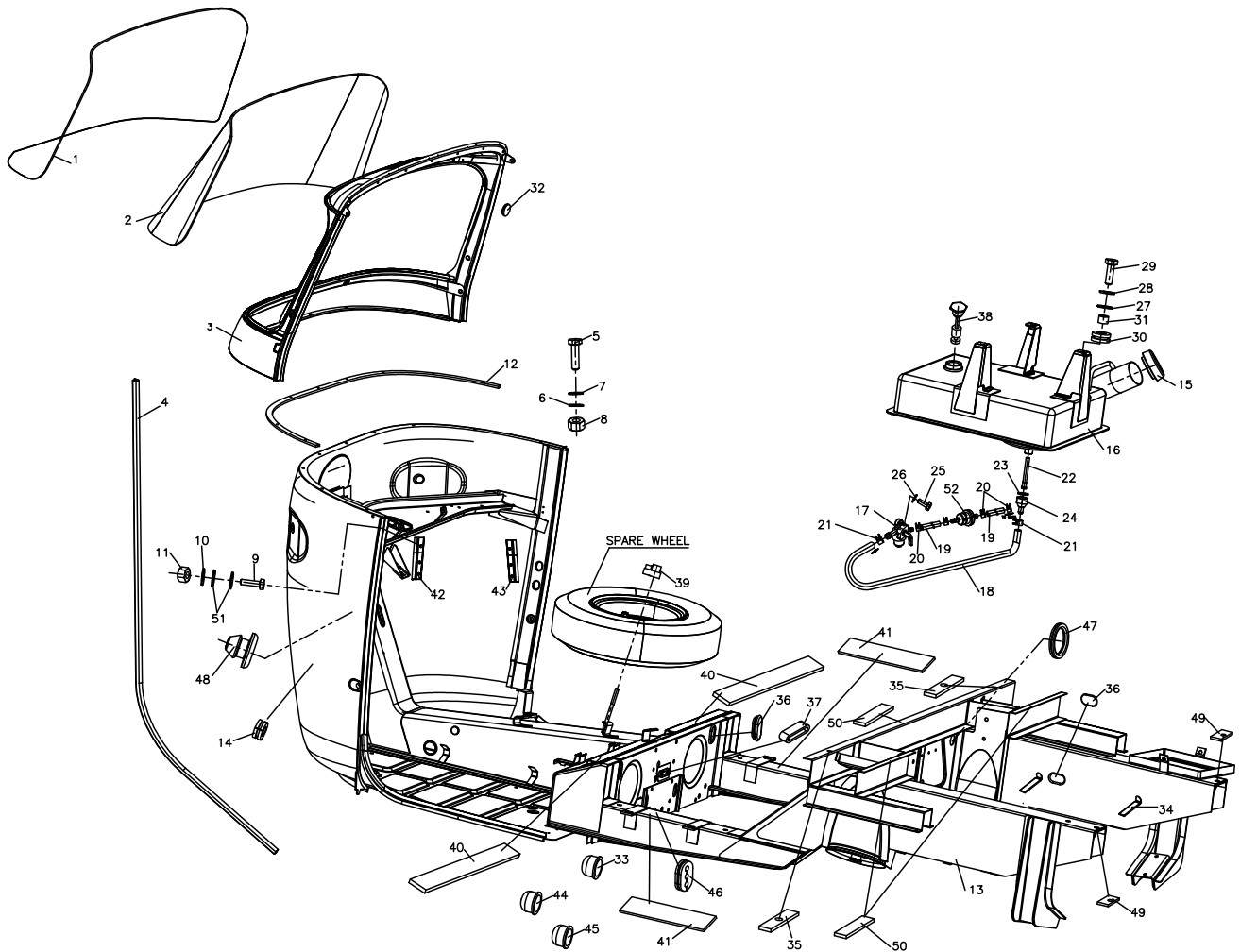
No.	Part No.	Description	Qty.	Remarks
1	36010510	ES BRACKET	1	
2	29040253	THREE WAY CONNECTOR BRAKE TUBE	1	
3	27040549	PLATE FOR RETAINING THE BRAKE FLEX. PIPE	1	
4	33042101	BRAKE PUMP TUBE OF LEFT RR WHEEL	1	
5	33042102	BRAKE PUMP TUBE OF RIGHT RR WHEEL	1	
6	27010026	PLATE	1	Front mtg.
7	80920100	NYLOC NUT M 10	2	
8	80457422	HEX HD SCREW M10X35 CL 8.8	2	
9	27050520	GROMMET ENGINE FRAME RH SIDE	2	
10	80457378	HEX HEAD SCREW M8 X25	6	
11	80757012	HEX NUT M8	6	Rear mtg.
12	81020084	SPRING WASHER M8	6	Rear mtg.
13	27050527	GROMMET	1	
14	36010312	BKT. ENGINE MTG. FRONT SIDE	1	Engine mtg front
15	33010043	RUBBER PLUG (ENGINE MTG).	2	
16	33010042	CUP (ENG. MTG. TOP & BTM)	2	
17	36010313	HEX FLANGE BOLT M10x78 CL 8.8 (ENGINE MTGFRONT)	1	
18	81050010	WAVE SPRING WASHER M10	1	Eng. Mtg bkt fr. To eng.
19	80777014	HEX NUT M10x1.25P	2	
20	73060110	PLAIN WASHER M10	1	
21	36010310	ENGINE MTG BKT FRONT ASSY	1	
22	80477378	HEX HEAD FLANGE SCREW M8x25	4	Eng. Mtg. bkt fr. to chassis
23	80930080	HEX FLANGED NUT M8	4	
24	36010320	CROSS MEMBER COMP ENG MTG REAR	1	
25	80377432	HEX HD BOLT M10x80 CL 10.9	2	Eng. Mtg rear
26	73060110	PLAIN WASHER M10	4	Eng. Mtg rear
27	81050010	WAVE SPRING WASHER M10	2	
28	80757014	HEX NUT M10	2	

TABLE - 1 : ENGINE SUPPORT



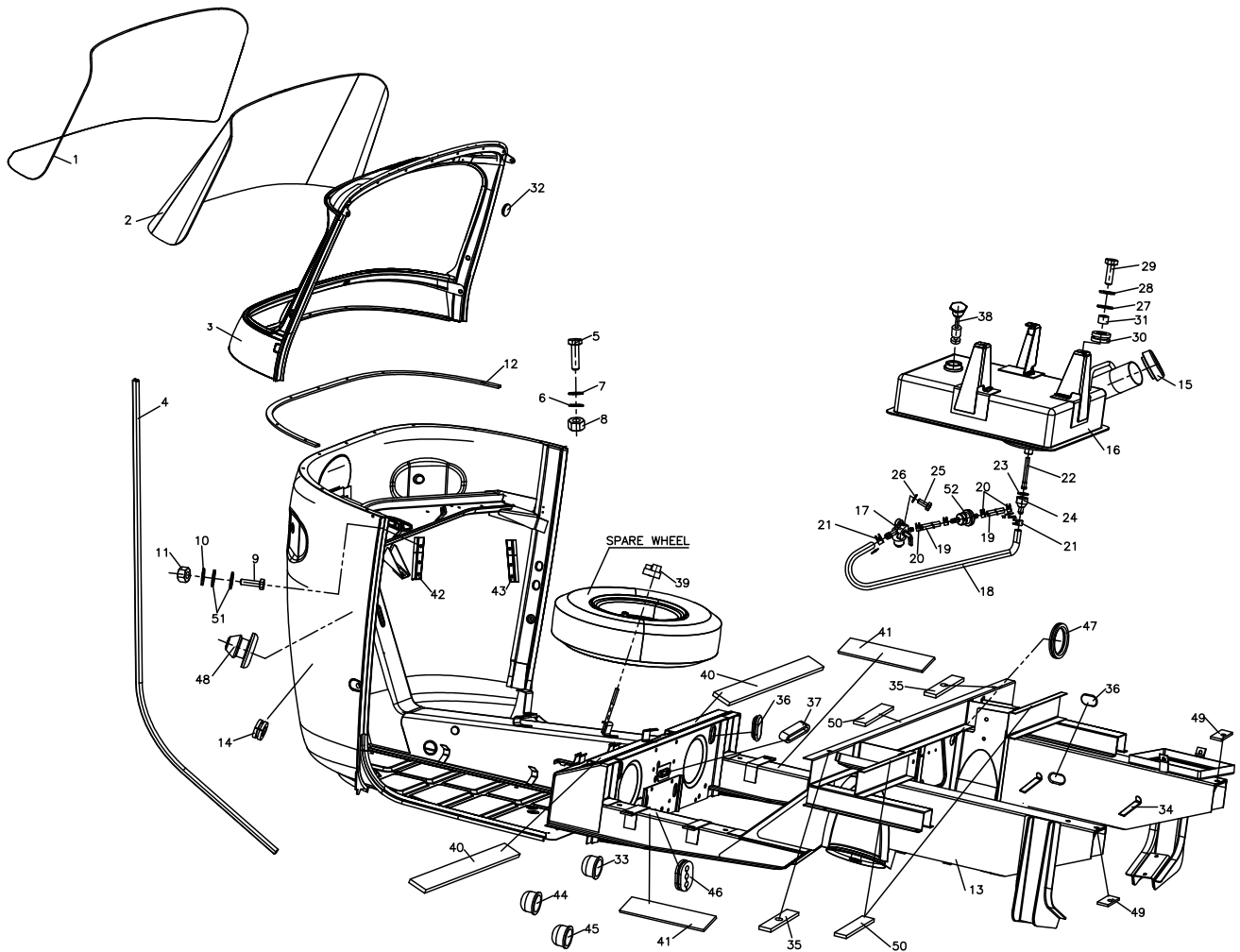
No.	Part No.	Description	Qty.	Remarks
29	36050004	RUBBER ISOLATOR (ENG. MTG. REAR)	2	
30	80477374	HEX HEAD FLANGED SCREW M8x16	2	Isolator to cross member mtg.
31	80477296	HEX HEAD FLANGED SCREW M6x20	4	
32	80930060	HEX FLANGED NUT M6	4	Rubber isolator to cross member Mtg
33	33092011	TOOL BAG	1	
34	36090015	DE SPANNER 10/13	1	
35	36090016	DE SPANNER 14/17	1	
36	36090011	SPANNER ASSY SPARK PLUG	1	
37	36090017	ROD (SPARK PLUG SPANNER)	1	
38	27090058	SCREW DRIVER DOUBLE BLADE	1	
39	27090066	JACK (With jack Rod)	1	
40	36090010	TOOL KIT SET	1	
41	80367426	HEX FLANGED BOLT M10x55	2	Eng. Mtg bkt front to eng.
42	80930100	HEX FLANGED NUT M10	2	
43	81020105	SPRING WASHER M10	2	
44	27070089	GROMMET (ENGINE FRAME)	2	
45	36090012	GROMMETSPARK PLUG	1	Not supplied
46	36090013	SPARK PLUG SPANNER	1	Not supplied
47	73060084	PLAIN WASHER M8	6	
48	27090053	SE SPANNER 12/14	1	
49	36050012	TIE ROD	1	
50	73060084	PLAIN WASHER M8	2	
51	81020084	SPRING WASHER M8	2	
52	80757012	HEX NUT M8	2	
53	80930080	HEX FLANGED NUT M8	2	

TABLE - 2 : CHASSIS FRAME, FUEL TANK



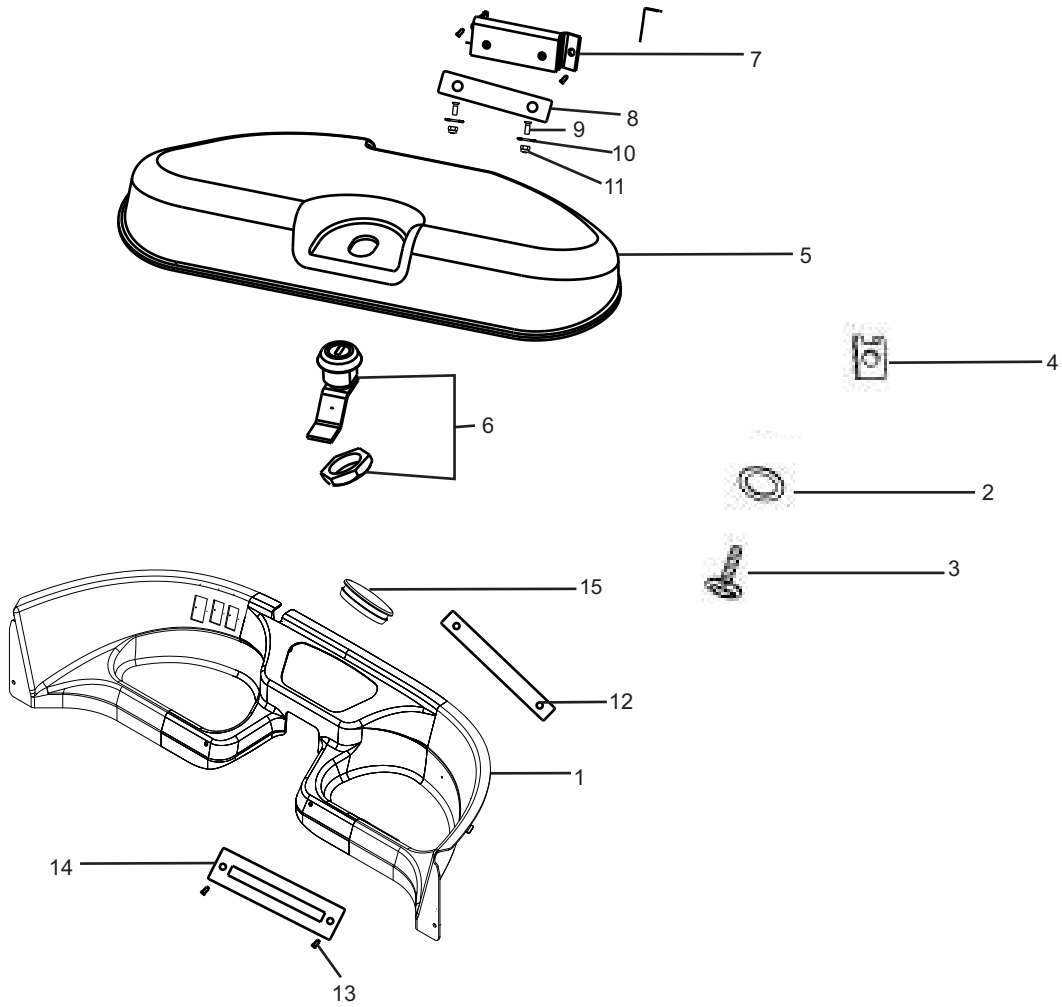
No.	Part No.	Description	Qty.	Remarks
1	27050544	WINDSHIELD PACKING	1	
2	27050546	LAMINATED WINDSHIELD GLASS	1	
3	27050700	WIND SHIELD ASSY (PASS)	1	
4	27050523	WINDSHIELD SIDE PACKING	2	
5	80457256	HEX HD SCREW M5x20 CL 8.8 BLACKEND	9	
6	73060053	PLAIN WASHER M5	18	
7	81020053	SPRING WASHER M5	9	
8	80757009	HEX NUT M5	9	
9	80008112	SLOT CH HD SCREW M5x12	6	
10	81020053	SPRING WASHER M5	6	
11	80757009	HEX NUT M5	6	Vertical attach mtg.
12	27050533	PACKING DOME	1	
13	36057010	CHASSIS ASSY (Gemini Petrol Premium)	1	
14	27050528	CUT GROMMET FOR HORN	1	
15	33051136	FUEL TANK CAP WITHOUT LOCK	1	
16	36017220	FUEL TANK ASSY	1	
17	36010434	FUEL COCK ASSY (SINGLE MTG)-PAVANA	1	
18	36010435	FUEL PIPE (7.5 FUEL TANK) (FUEL TANK TO FUEL COCK)	1	
19	36012024	FUEL PIPE	2	
20	33012155	HOSE CLIP	4	
21	27098048	HOSE CLIP	2	
22	36010433	FILTER FUEL TANK OUTLET	1	
23	40130047	COPPER WASHER	1	
24	36010432	NIPPLE FUEL TANK 7.5L	1	
25	80477296	HEX HEAD FLANGED SCREW M6x20	1	Fuel cock mtg.
26	73060064	PLAIN WASHER M6	1	
27	73060064	PLAIN WASHER M6	3	
28	81020064	SPRING WASHER M6	3	

TABLE - 2 : CHASSIS FRAME, FUEL TANK



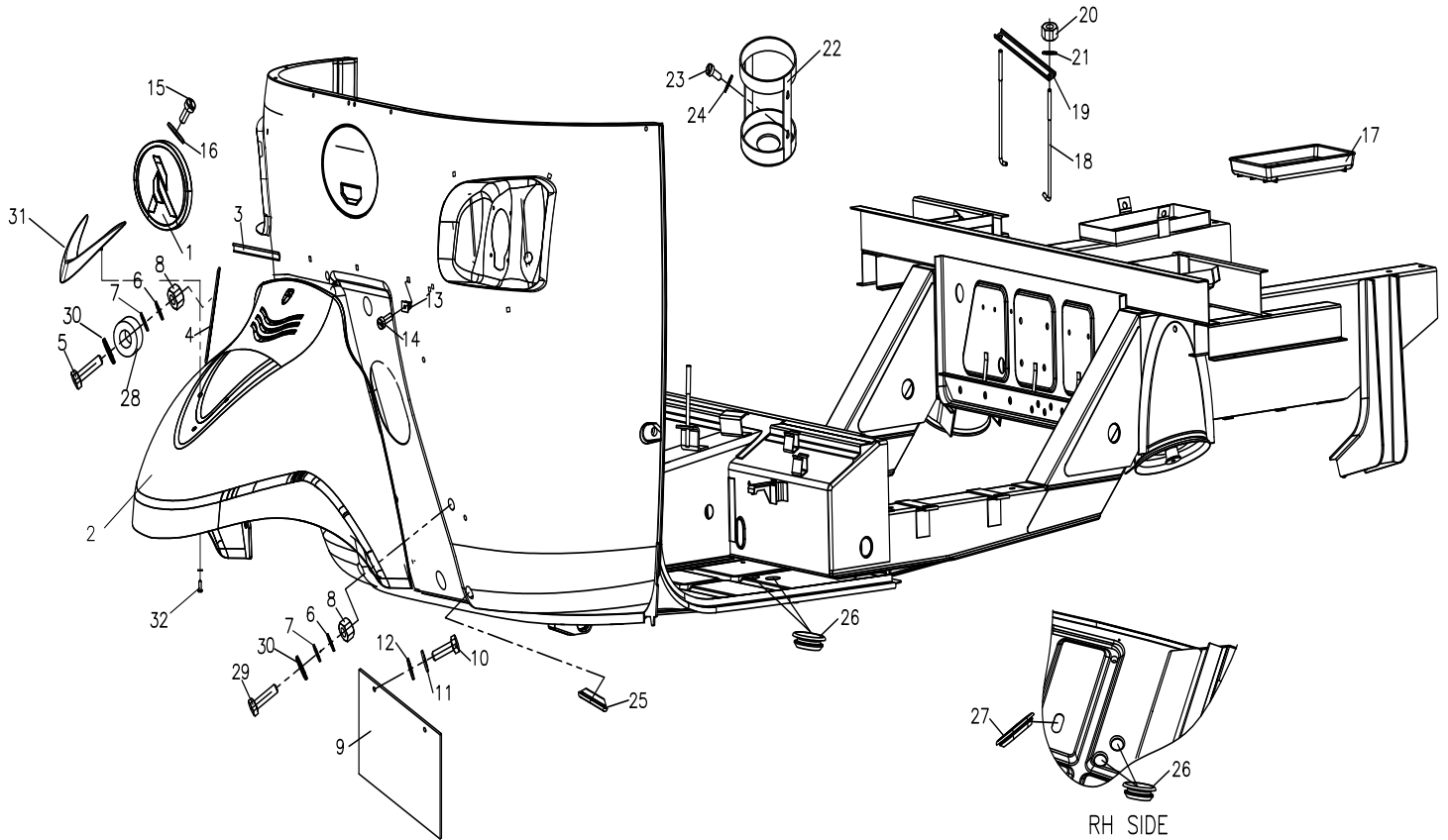
No.	Part No.	Description	Qty.	Remarks
29	80457296	HEX HEAD SCREW M6x20	3	Fuel tank mtg.
30	27010621	GROMMET (FUEL TANK MTG)	3	
31	27010622	BUSH (FUEL TANK MTG)	3	
32	27052706	PLUG 'B' PILLAR AND ROOF	2	
33	27050502	PLUG (RR ASSY & 'B' PILLAR)	5	
34	27050504	INSULATING TUBE	12	
35	33052401	PACKING	2	
36	27050501	PLUG (RR FRAME ASSY & RR FRAME PART)	4	
37	27050522	GROMMET FOR CONTAINER (RR FRAME)	1	
38	36080171	FUEL SENDOR SENSOR	1	
39	26080050	LOCK FOR BATTERY AND SPARE WHEEL	1	
40	29051025	PAD FOR BODY SUPPORT FRONT	2	
41	36050005	PACKING FRONT SIDE (BODY MTG)	2	
42	27050297	VERTICAL MEMBER ATTACH TO SHIELD LH	1	
43	27050298	VERTICAL MEMBER ATTACH TO SHIELD RH	1	
44	27050506	CAPSULE	1	
45	27050507	CAPSULE (REAR FRAME)	1	
46	27050525	GROMMET (RR FRAME ASSY FOR SPEEDO CABLE)	1	
47	27058276	GROMMET FOR FRAME HARNESS	1	
48	27050531	PLUG (DOME)	2	
49	36052308	PACKING REAR SIDE	3	Not supply
50	36052307	PACKING (CROSS MEMBER REAR)	2	
51	73060053	PLAIN WASHER M5	12	
52	36012080	FUEL FILTER ASSY. (GEMINI Gx)	1	

TABLE - 3 : INNER PARTS OF CABIN



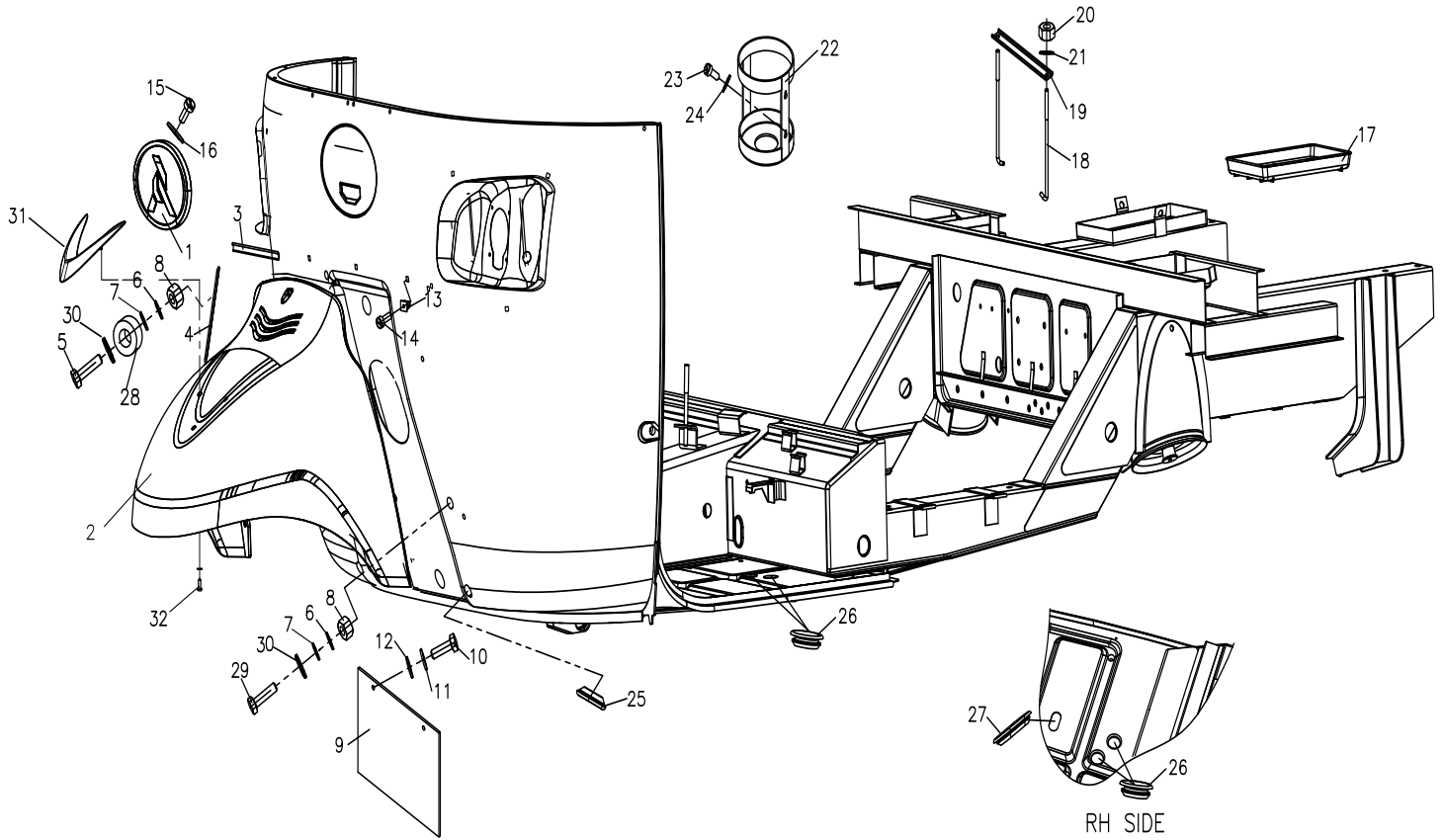
No.	Part No.	Description	Qty.	Remarks
1	36150120	DASHBOARD ASSY WITH GB COVER HINGED	1	
2	27051088	PLAIN WASHER 12x4.5x1	4	
3	27050725	PAN SELF TP SCREW 8SGX16AB	4	Dash board mtg.
4	27080193	SPRING PLATE	4	
5	27050558	GLOVE BOX COVER	1	Not supplied
6	27051135	LOCK GLOVE COMPARTMENT WITHOUT KEY	1	Not supplied
7	27050596	HINGE ASSY GLOVE BOX COVER	1	Not supplied
8	27050597	PLATE HINGE MOUNTING	1	Not supplied
9	74900412	CSK. HEAD SCREW M4x12	2	Not supplied
10	81020041	SPRING WASHER M4	2	Not supplied
11	80920040	NYLOCK NUT M4	2	Not supplied
12	27050598	SUPPORT PLATE HINGE MTG	1	Not supplied
13	75480310	POP RIVET 3.2x9.5	4	Not supplied
14	27050594	SUPPORT PLATE (GLOVE BOX COVER LOCK)	1	Not supplied
15	28050272	PLUG	2	Not supplied

TABLE - 4 : CABIN COMPONENTS



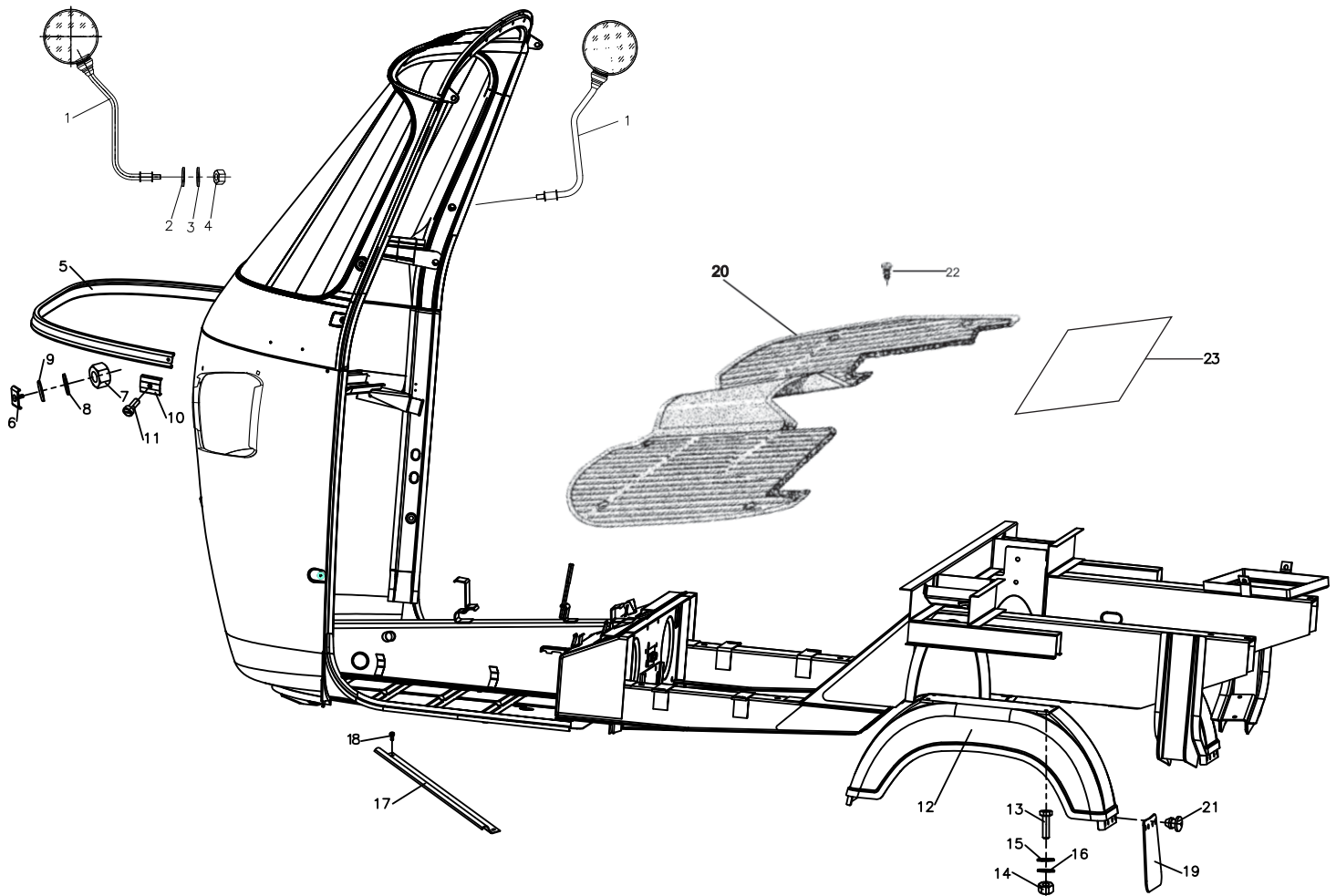
No.	Part No.	Description	Qty.	Remarks
1	27151202	LOGO (ATUL NEW)	1	
2	36052901	FRONT MUDGUARD	1	
3	36052903	RUBBER CORD (FRONT MUDGUARD)	2	
4	27050576	GASKET FRONT MUDGUARD SIDE	2	
5	80457298	HEX HEAD SCREW M6x25	2	
6	73060064	PLAIN WASHER M6	6	
7	81050006	SPECIAL SPR WASHER M6	6	Fr. Mudguard mtg
8	80757010	HEX NUT M6	6	
9	29050516	FRONT MUD FLAP	1	
10	80457294	HEX HD SCREW M6x16 CL 8.8	2	
11	81020064	SPRING WASHER M6	2	Fr mudflap mtg
12	73060064	PLAIN WASHER M6	2	
13	27050568	SCREW ANCHOR	3	
14	36052904	SELF TP SCREW 6SGX32AB	3	
15	27050731	PAN SELF TP SCREW 4SGX9.5AB	2	
16	73060033	PL WASHER 7x3.3x0.5	2	
17	27088511	TRAY. BATTERY	1	Logo mtg
18	33082301	TIE ROD (BATTERY CLAMP) RH	2	
19	33082303	BATTERY CLAMP	1	
20	80757010	HEX NUT M6	2	Battery clamp mtg
21	73060064	PLAIN WASHER M6	2	
22	27090041	BOTTLE CARRIER STAND	1	
23	27050725	PAN SELF TP SCREW 8SGx16AB	2	Bottle carrier mtg
24	27051088	PL WASHER 12x4.5x1	2	
25	27050526	PLUG (DOME)	2	
26	27050677	PLUG (CABIN FLOOR)	4	
27	27050678	RECT PLUG (CABIN FLOOR)	2	
28	27050619	SPACER FOR FRONT MUDGUARD	2	

TABLE - 4 : CABIN COMPONENTS



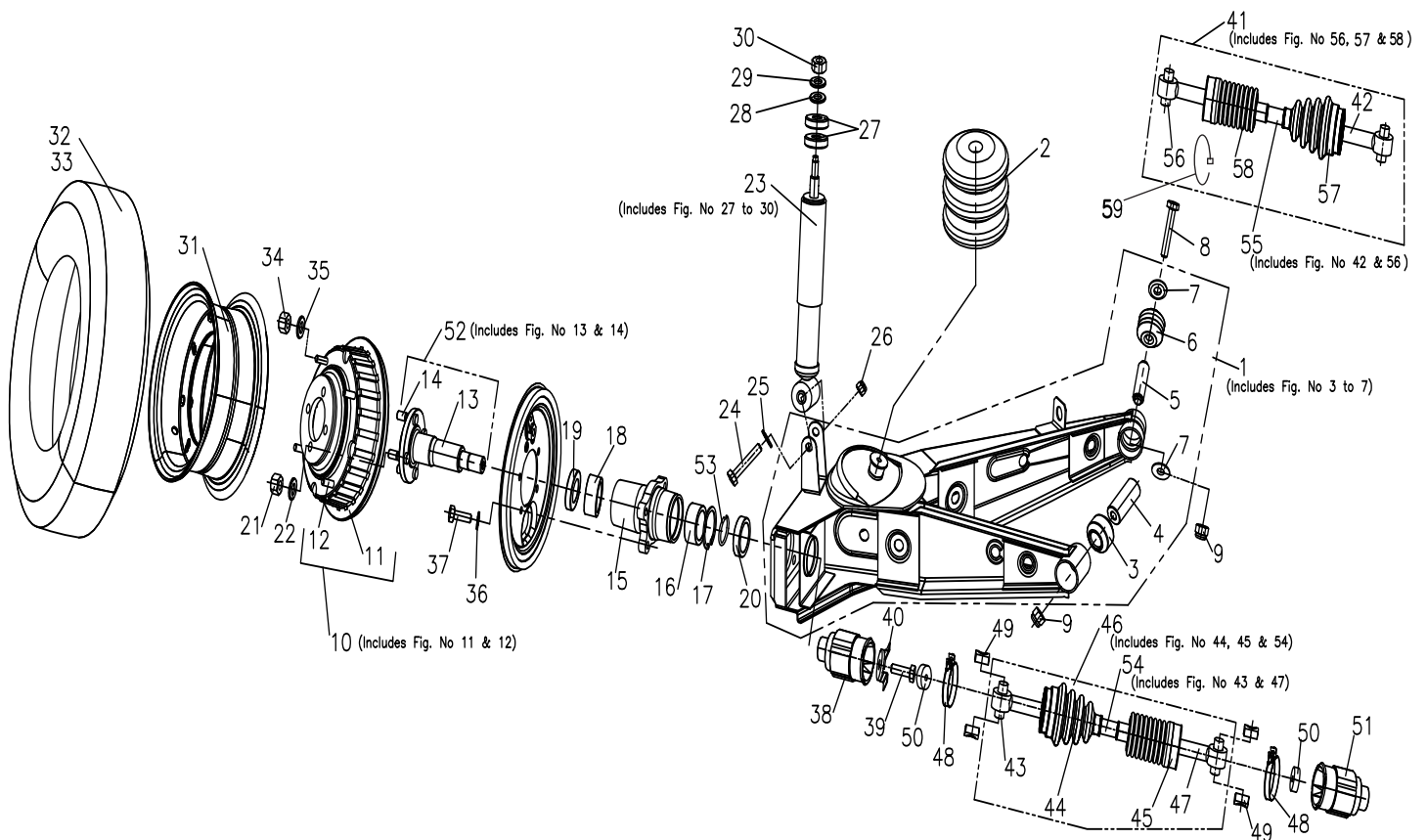
No.	Part No.	Description	Qty.	Remarks
29	80457296	HEX HEAD SCREW M6x20	4	
30	73070064	PLAIN WASHER M6	6	
31	36052902	CHROME EMBLEM	1	
32	27050731	SELF TP SCREW 4SGX9.5AB	3	Emblem mounting

TABLE - 5 : RUBBER MAT, REAR MUDGUARD



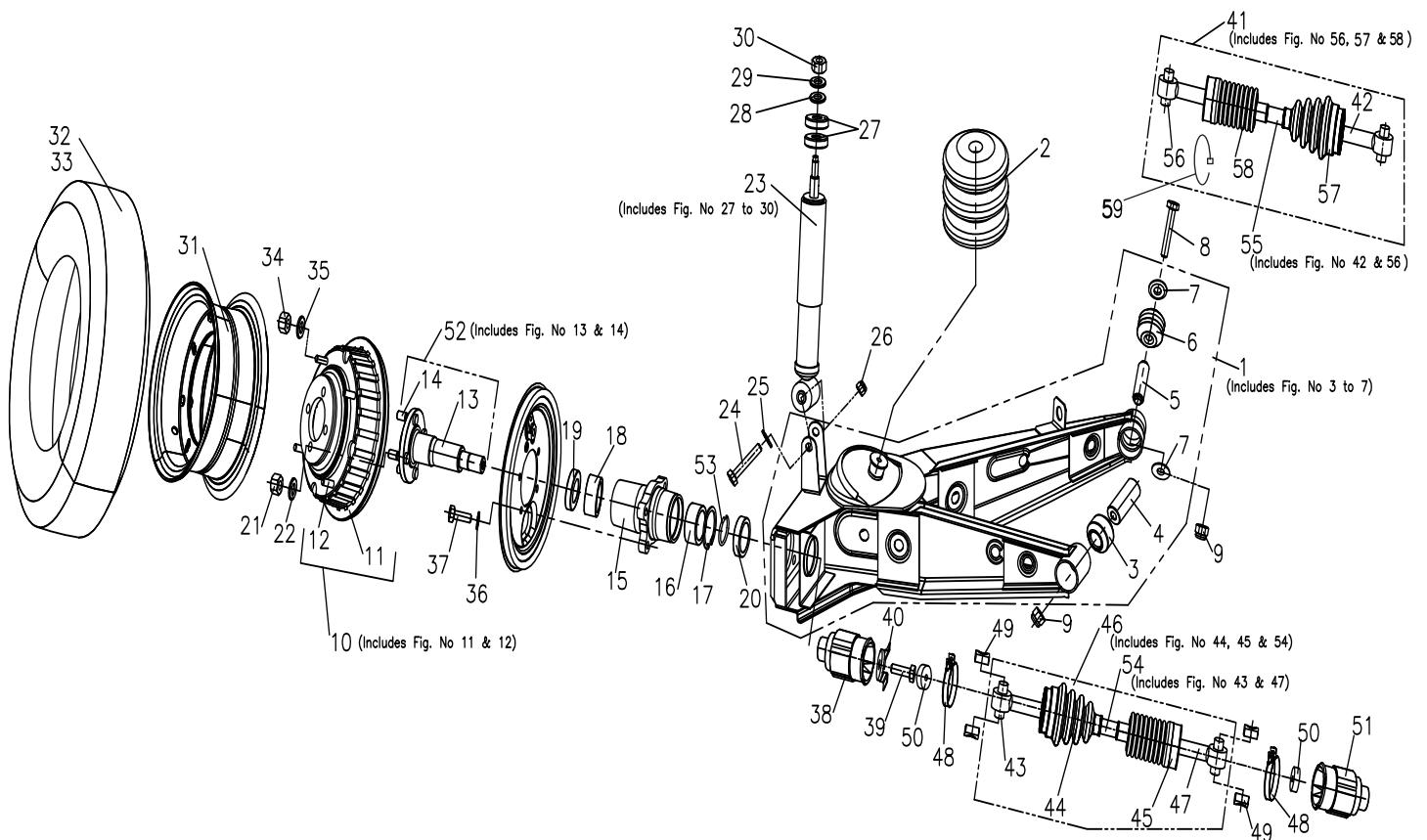
No.	Part No.	Description	Qty.	Remarks
1	36050621	REAR VIEW MIRROR ASSY LH	1	
	36050622	REAR VIEW MIRROR ASSY RH	1	
2	73060110	PLAIN WASHER M10	2	
3	81020105	SPRING WASHER M10	2	Rear view mirror mtg
4	80757014	HEX NUT M10	2	
5	27050512	RIM COVERAGE JOINT	1	
6	27050514	SECURING PLATE ASSY	5	
7	80757007	HEX NUT M4	5	
8	73060043	PLAIN WASHER M4	5	
9	27050516	PACKING (Securing Plate Rim Cov. Jt.)	5	
10	27050517	TERMINAL (RIM COVERAGE JOINT)	2	
11	27050725	PAN SELF TP SCREW 8SGx16AB	2	Rim cov. Joint
12	29050511	REAR RIGHT MUDGUARD WITH HOLES	1	
	29050512	REAR LEFT MUDGUARD WITH HOLES	1	
13	80457254	HEX HEAD SCREW M5x16	8	
14	80757009	HEX NUT M5	8	Rear mudgaurd mtg
15	81020053	SPRING WASHER M5	8	Rear mudgaurd mtg
16	27050772	METALLIC PLAIN WASHER M5	8	
17	27050334	PROTECTION PACKING LOWER PART R.H. DOOR	1	
	27050333	PROTECTION PACKING LOWER PART L.H. DOOR	1	
18	27050729	PAN SELF TP SCREW 6SGx9.5AB	6	
19	29050514	MUDFLAP FOR REAR MUDGUARD	2	
20	33092051	CARPET - Cabin Floor	1	
21	27050566	BUTTON (Rubber Nail)	8	
22	27090015	KNOB	3	
23	36090020	CARPET ASSY. CABIN FLOOR RH	1	

TABLE - 6 : REAR SUSPENSION



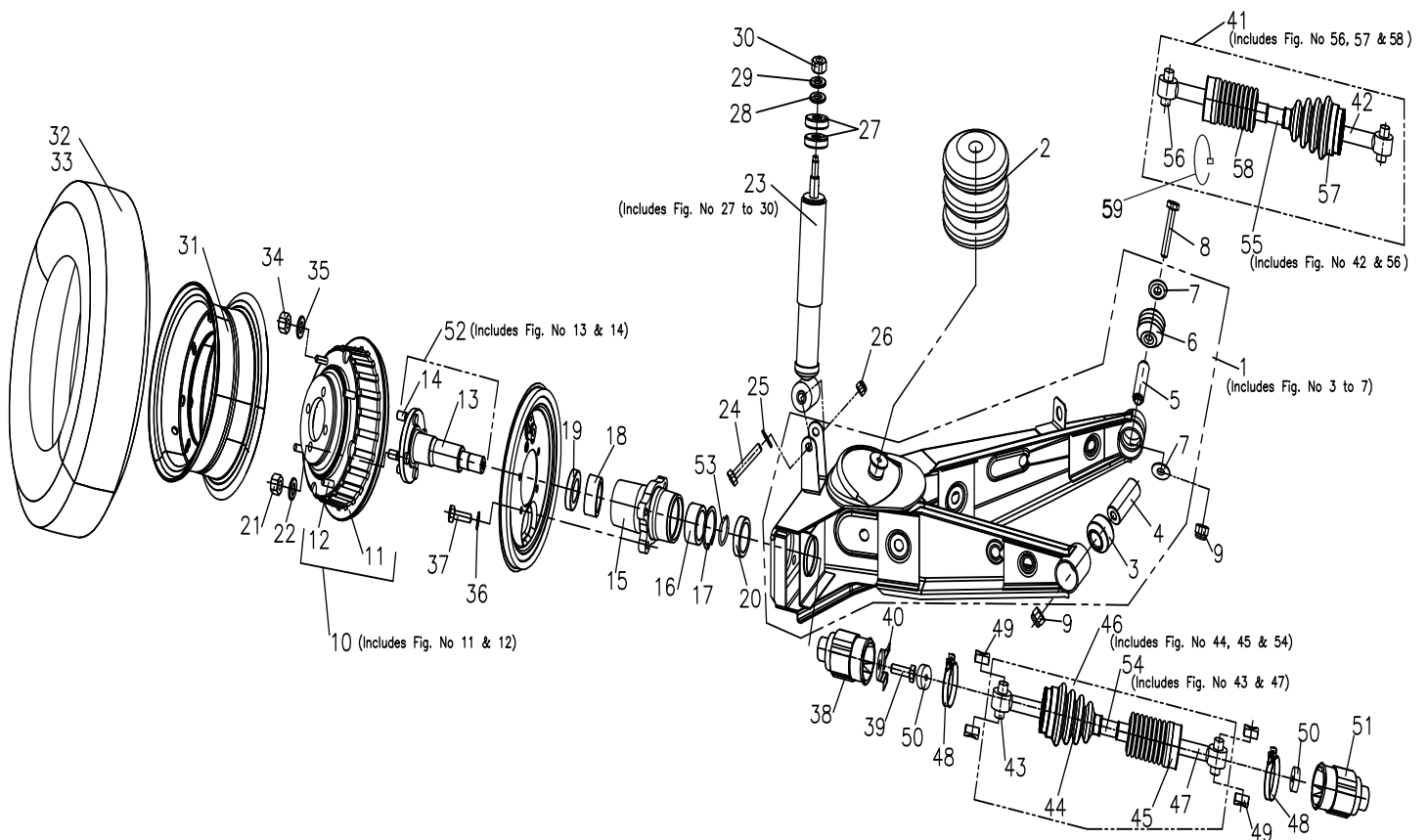
No.	Part No.	Description	Qty.	Remarks
1	29060070	REAR SUSP. ARM FITTED RUBBER BUSH LH	1	
	29060060	REAR SUSP. ARM FITTED RUBBER BUSH RH	1	
2	29060291	RUBBER SPRING	2	
	36060291	RUBBER SPRING	2	Soft M/t
3	27060117	RING FOR ELASTIC SUPPORT-REAR	2	
4	27060121	SPACER REAR	2	
5	27060119	SPACER	2	
6	27060120	RING FOR ELASTIC SUPPORT-BUSH FRONT	2	
7	27060118	SHOULDER WASHER	4	
8	80377432	HEX HD BOLT M10x80 CL 10.9	4	
9	80920100	NYLOCK NUT M10	4	
10	29060230	REAR BRAKE DRUM WITH STUD	2	
11	29060231	REAR BRAKE DRUM	1	
12	29060152	STUD M10x1.5P	4	
13	36060011	REAR AXLE SHAFT	2	Not supplied
14	29060052	BOLT FOR AXLE	8	
15	33060051	REAR WHEEL HUB	2	
16	26030011	BALL BEARING (20x47x14) (6204)	2	
17	75350047	INTERNAL CIRCLIP B47	2	
18	27160145	NEEDLE BEARING (SL 3520)	2	
19	33060052	OIL SEAL (28x48x10)	2	
20	27060146	OIL SEAL (35x47x7)	2	
21	80757014	HEX NUT M10	8	
22	81020095	SPRING WASHER M10	8	Rear axle mtg
23	29060281	SHOCK ABSORBER REAR	2	
24	80377427	HEX HD BOLT M10x60 CL 10.9	2	
25	73060110	PLAIN WASHER M10	2	
26	80920100	NYLOCK NUT M10	2	

TABLE - 6 : REAR SUSPENSION



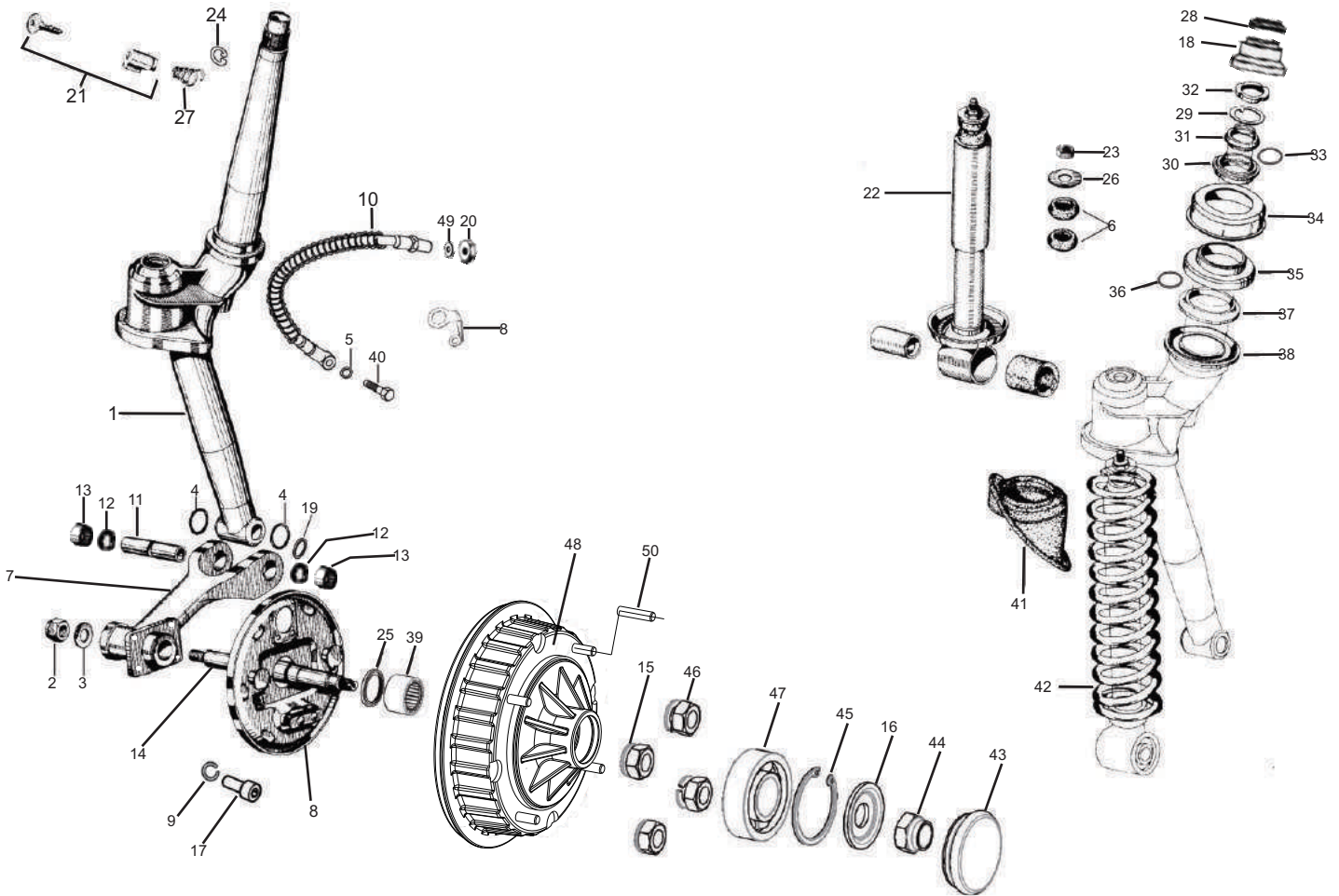
No.	Part No.	Description	Qty.	Remarks
27	27060091	BUFFER FOR COUPLING SHOCK ABSORBER	4	Not supplied
28	27060089	PLAIN WASHER 38x10.5x3	2	
29	81020105	SPRING WASHER M10	2	
30	80930100	NYLOCK NUT M10x1.25P	2	
31	29040170	WHEEL RIM ASSY	4	
32	29040161	TYRE 4x8 INCH	4	
33	29040162	INNER TUBE FOR TYRE 4x8 INCH	4	
34	80757014	HEX NUT M10	8	
35	81020095	SPRING WASHER M10	8	Wheel rim mtg
36	81020084	SPRING WASHER M8	8	Triangle assy mtg
37	80457382	HEX HD SCREW M8x35 CL 8.8	8	
38	36040002	FLANGE WHEEL SIDE	2	
39	80487375	HEX HEAD SCREW M8x18, PROP CLASS 10.9	2	
40	33040070	LOCK WASHER ASSY	2	
41	36040016	PROPELLER SHAFT ASSY RH WITH BELLOW & PIN	1	
42	36040013	PROPELLER SHAFT RH	1	Not supplied
43	26041072	PIN PROP SHAFT	2	Not supplied
44	33040047	BELLOW PROP SHAFT (WHEEL SIDE)	1	
45	36040014	BELLOW PROP SHAFT (ENGINE SIDE)	1	
46	36040017	PROPELLER SHAFT ASSY LH WITH BELLOW & PIN	1	
47	36040011	PROPELLER SHAFT LH	1	Not supplied
48	50271003	CLAMP BELLOW (51.5 Dia.)	3	
49	26041016	P.T.BLOCK (SLIDER BLOCK PROP SHAFT)	8	
50	33040080	BUFFER ENGINE SIDE PROP SHAFT ASSY	4	
51	36030034	FLANGE ENGINE SIDE LH	1	Ref. only
	36030042	FLANGE ENGINE SIDE RH	1	Ref. only
52	36060010	REAR AXLE SHAFT ASSY	2	
53	36060012	SPRING RING	2	

TABLE - 6 : REAR SUSPENSION



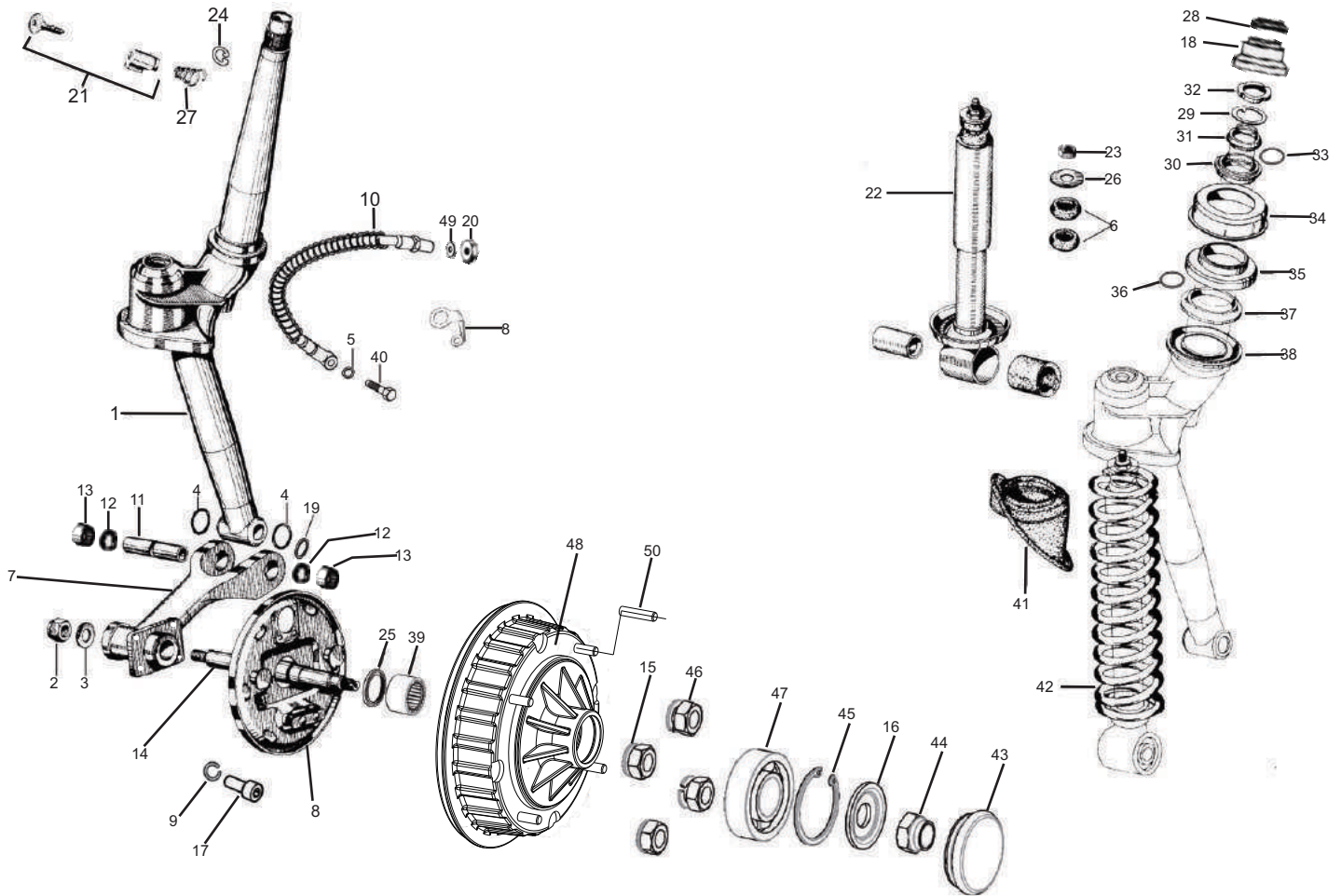
No.	Part No.	Description	Qty.	Remarks
54	36040010	PROP SHAFT ASSY LH	1	Not supply
55	36040012	PROP SHAFT ASSY RH	1	Not supply
56	26041072	PIN PROP SHAFT	2	Not supplied
57	33040047	BELLOW PROP SHAFT (WHEEL SIDE)	1	
58	36040014	BELLOW PROP SHAFT (ENGINE SIDE)	1	
59	36070151	CLAMP BELLOW	1	OTIKER
60	36040020	KIT SLIDER BLOCK	1	Included Fig. 43, 49 (Not supply)
61	36060200	KIT REAR WHEEL HUB BEARING	1	Included Fig. 16,18

TABLE - 7 : FRONT SUSPENSION & STEERING COLUMN



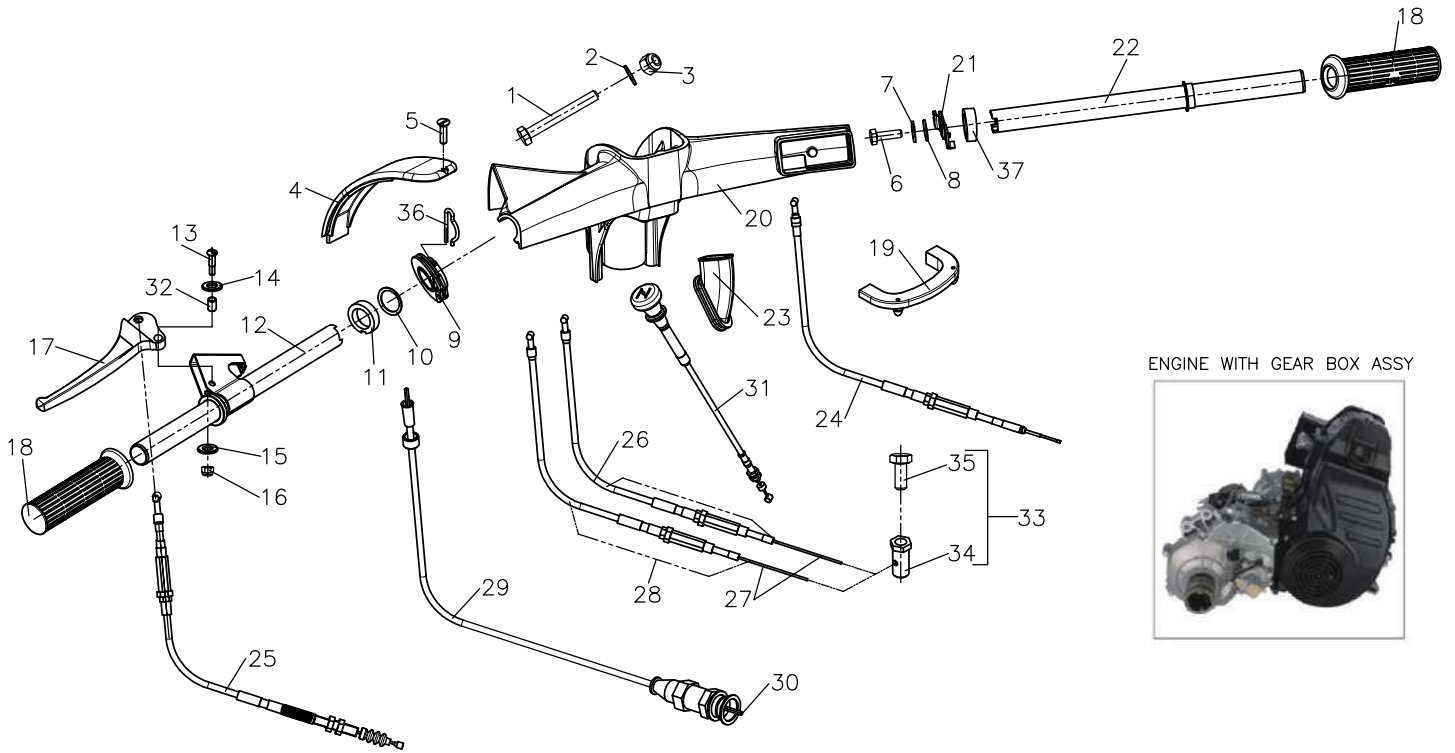
No.	Part No.	Description	Qty.	Remarks
1	27060220	STEERING WHEEL SHAFT ASSY (P)	1	
1a	29060110	STEERING COLUMN WITH BRAKE & DRUM ASSY	1	Includes 1,3,7,9,11-14,16,19,22,25,37-39,42-45,47,48
2	27060077	NUT M14x1.5	1	
3	27060092	PL WASHER 30.5x14.3x2	1	
4	27060069	O-RING	2	
5	40052153	COPPER WASHER	2	
6	27060091	BUFFER FOR COUPLING SHOCK ABSORBER	2	Not supplied
7	29060121	FR SUSPENSION SWING ARM (M/c) (BOLTED)	1	
8	27040556	BRAKE PLATE	1	
9	81020084	SPRING WASHER M8	4	
10	27040548	HOSE, BRAKE FLEXIBLE FR	1	
11	27060068	STEERING PIN	1	
12	27060070	OIL SEAL (18-24-4)	2	
13	27060072	ROLLER BUSH	2	
14	29060122	FRONT AXLE	1	
15	81020095	SPRING WASHER M10	4	
16	27060076	COIN WASHER (Fr Wheel hub)	1	
17	80667375	HEX SOCKET HEAD CAP SCREW M8x18	4	
18	26061019	DUST PROTECTOR	1	
19	27060071	RING FOR HOLDING (TYPE JF 101 174)	2	
20	27040551	HEX NUT M16x1.5	1	
21	50050530	STEERING LOCK ASSY W/O KIT	1	
22	29060180	SHOCK ABSORBER FRONT	1	
23	80930100	NYLOCK NUT M10x1.25P	1	
24	75350018	INTERNAL CIRCLIP (Steering Lock) (dia. 18)	1	
25	27060074	OIL SEAL (25x33x5)	1	
26	27060089	PLAIN WASHER 38x10.5x3	1	

TABLE - 7 : FRONT SUSPENSION & STEERING COLUMN



No.	Part No.	Description	Qty.	Remarks
27	27060211	SPRING-STEERING LOCK (MODIFIED)	1	
28	27060107	RUBBER CAP STEERING COLUMN	1	
29	26061005	STOP WASHER	1	
30	26061003	UPPER STEERING NUT STEERING	1	
31	26061002	BEARING SEAT UPPER	1	
32	26061008	SECURING RING NUT	1	
33	29060910	UPPER BALL CAGE	1	
34	26061018	DUST COVER Seal	1	
35	26061021	UPPER CONE	1	
36	29060920	LOWER BALL CAGE	1	
37	26061022	LOWER CONE -45 UPPER ANGLE	1	
38	27060098	WASHER WITH PROTECTION FOR BEARING	1	
39	27060084	NEEDLE BEARING (NADELLA DL-25-20)	1	
40	40049064	BANJO BOLT	1	
41	27060096	DUST COVER (SPLASH GUARD)	1	
42	29060107	FRONT SUSPENSION SPRING (WIRE DIA 10.5)	1	
43	27060078	CAP	1	
44	27060077	NUT M14x1.5	1	
45	27060085	INTERNAL CIRCLIP B42	1	
46	80757014	HEX NUT M10	4	
47	27060075	BALL BRG 6302 (C3)	1	
48	29060150	FRONT BRAKE DRUM WITH STUD	1	
49	27040552	PL WASHER 24x16x1.5	2	
50	29060152	STUD M10x1.5P	4	
51	27060281	KIT STEERING PIN FRONT	1	Included Fig. 4,11,12, 13,19
52	29060131	KIT STEERING CONE TOP	1	Included Fig. 30,31,33
53	29060132	KIT STEERING CONE BOTTOM	1	Included Fig. 35,36,37, 38

TABLE - 8 : HANDLE BAR & CONTROL CABLES

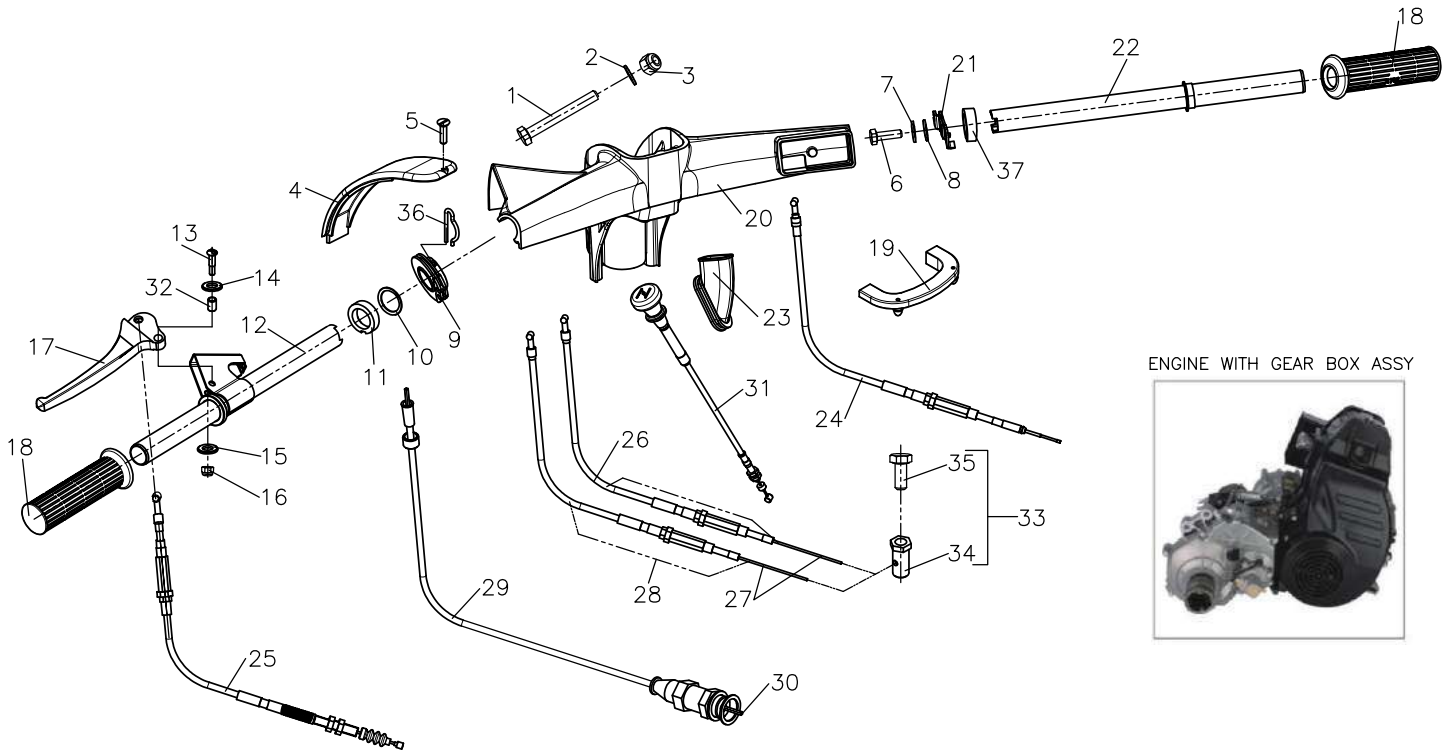


ENGINE WITH GEAR BOX ASSY



No.	Part No.	Description	Qty.	Remarks
1	80357429	HEX HD M10x70 CL 8.8	1	
2	73060110	PL WASHER	2	Handle bar mtg
3	80920100	NYLOCK NUT M10	1	
4	27160013	COVER HANDLE BAR	1	
5	74900312	SLOTTED CSK HEAD SCREW M3x12	1	
6	80457295	HEX HD SCREW M6x18 CL 8.8	1	
7	81020064	SPRING WASHER M6	1	
8	73060064	PLAIN WASHER M6	1	
9	36060006	PULLEY GEAR SHIFT	1	
10	36060005	WAVED WASHER	1	
11	27060014	SHOULDER WASHER LEFT	1	
12	36060060	GEAR CONTROL TUBE WITH IP	1	
13	27010029	SLT PAN HD SCREW SPL	1	
14	26061043	WAVED WASHER (CLUTCH LEVER)	1	
15	26061042	PL WASHER 14x8x0.2	1	
16	80920060	NYLOCK NUT M6	1	
17	36060003	CLUTCH CONTROL LEVER	1	
18	27060016	HANDLE (GRIP)	2	
19	27010106	PROTECTION COLLAR CABLE	1	
20	36060002	HANDLE BAR MACHINED	1	
21	27060050	THROTTLE CONTROL LINK ASSY	1	New
22	27060030	THROTTLE CONTROL TUBE WITH I.P.	1	
23	27050521	PROTECTION GROMMET	1	
24	36072015	ACCELERATOR CABLE ASSY	1	
25	36070002	CLUTCH CABLE ASSY	1	
26	36070016	GEAR CABLE ASSY BLACK	1	
27	36070004	GEAR CABLE INNER	2	
28	36070018	GEAR CABLE ASSY WHITE	1	

TABLE - 8 : HANDLE BAR & CONTROL CABLES

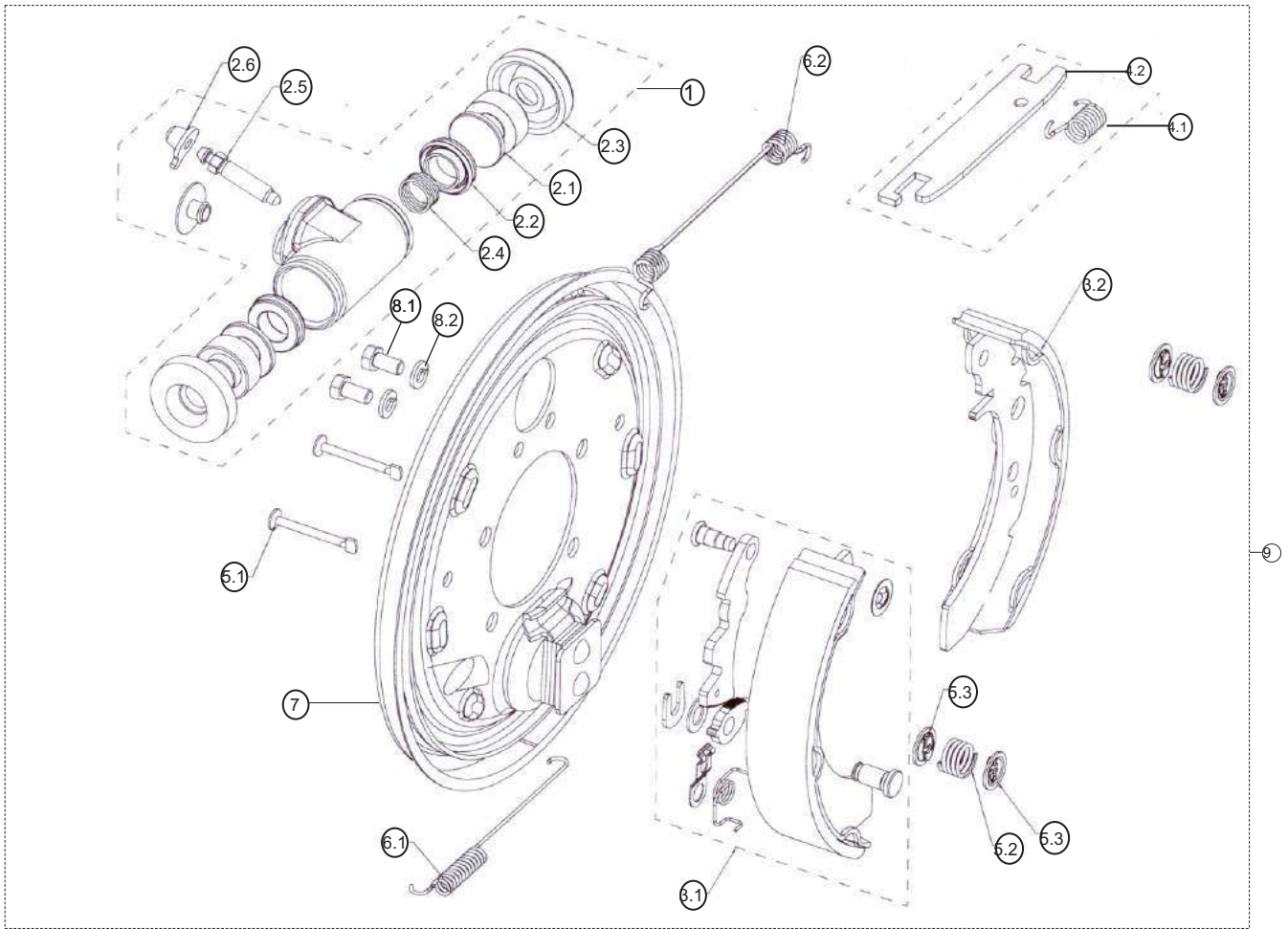


ENGINE WITH GEAR BOX ASSY



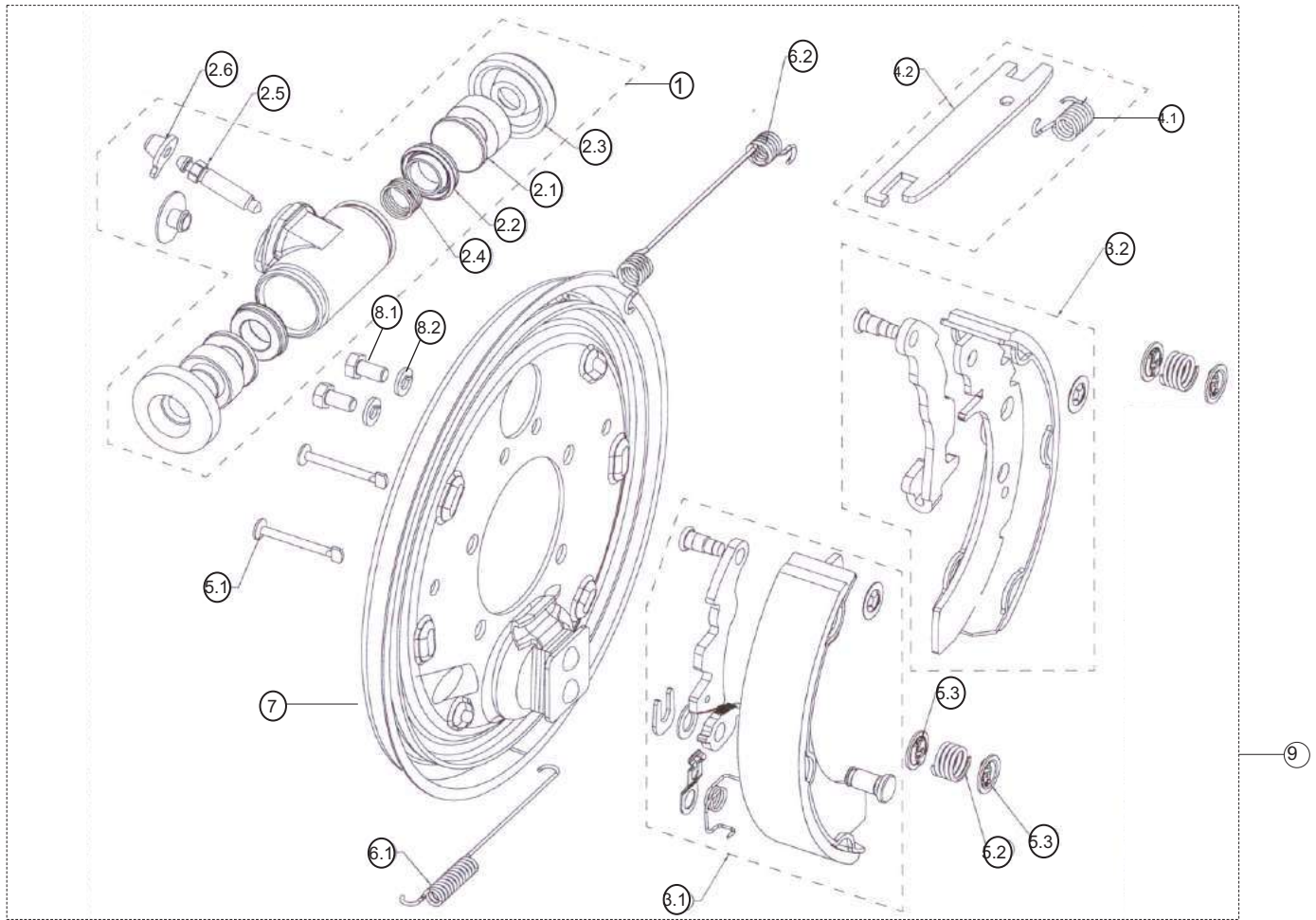
No.	Part No.	Description	Qty.	Remarks
29	33072060	SPEEDOMETER CABLE ASSY. (SPEEDO TO G/B)	1	
30	33072062	SPEEDOMETER CABLE INNER (length - 2409mm)	1	
31	36072005	CHOKE CABLE ASSY	1	
32	27060027	SPACER	1	
33	36060008	TRUNION ASSY	2	Not supply
34	36060007	TRUNION	1	Not supply
35	36060009	HEX HD SCREW M5x10 (spl)	1	
36	33062014	CLIP LOCK PULLEY	1	
37	27060015	SHOULDER WASHER RIGHT	1	

TABLE - 9 : FRONT BRAKE PLATE



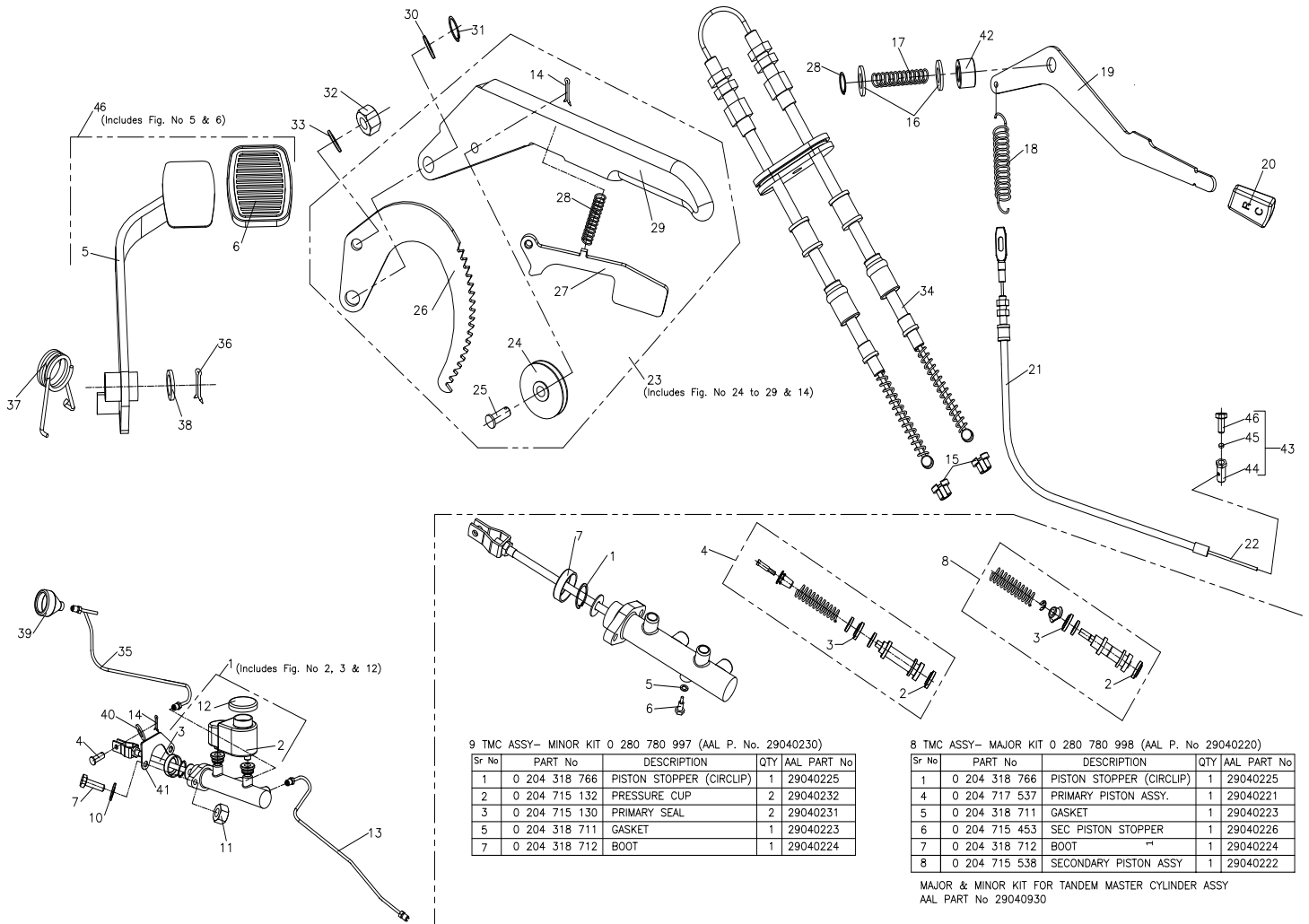
No.	Part No.	Description	Qty.	Remarks
1	29040370	WHEEL CYLINDER ASSY	1	
2	27040651	MINOR KIT WHEEL CYLINDER	1	Include(2.2,2.3,2.4)
	29040300	MAJOR KIT WHEEL CYLINDER	1	Include(2.1,2.2,2.3,2.4, 2.5,2.6)
3	29040011	BRAKE SHOE KIT	1	Include(3.1,3.2)
4	29040013	STRUT KIT	1	Include(4.1,4.2)
5	29040012	SHOE HOLD DOWN KIT	1	Include(5.1,5.2,5.3)
6	29040014	SPRING KIT	1	Include(6.1,6.2)
7	29040380	FRONT BACK PLATE	1	Not supplied
8	27040930	W/C MTG. BOLT & WASHER KIT	1	Include(8.1,8.2)
9	29040010	FRONT BRAKE ASSY	1	Include(1 to 8)

TABLE - 10 : REAR BRAKE PLATE



No.	Part No.	Description	Qty.	Remarks
1	29040370	WHEEL CYLINDER ASSY	1	
2	27040651	MINOR KIT WHEEL CYLINDER	1	Include(2.2,2.3,2.4)
	29040300	MAJOR KIT WHEEL CYLINDER	1	Include(2.1,2.2,2.3,2.4, 2.5,2.6)
3	29040270	BRAKE SHOE KIT LH	1	Include(3.1,3.2)
	29040280	BRAKE SHOE KIT RH	1	Include(3.1,3.2)
4	29040052	STRUT KIT LH	1	Include(4.1,4.2)
	29040035	STRUT KIT RH	1	Include(4.1,4.2)
5	29040012	SHOE HOLD DOWN KIT	1	Include(5.1,5.2,5.3)
6	29040014	SPRING KIT	1	Include(6.1,6.2)
7	29040400	FRONT BACK PLATE ASSY LH	1	Not supplied
	29040410	FRONT BACK PLATE ASSY RH	1	Not supplied
8	27040930	W/C MTG. BOLT & WASHER KIT	1	Include(8.1,8.2)
9	29040050	BRAKE ASSY LH	1	Include(1 to 8)
	29040030	BRAKE ASSY RH	1	Include(1 to 8)

TABLE - 11 : BRAKE -TANDEM CYLINDER, BRAKE PIPES AND HAND BRAKE



9 TMC ASSY- MINOR KIT O 280 780 997 (AAL P. No. 29040230)

Sr No	PART No	DESCRIPTION	QTY	AAL PART No
1	0 204 318 766	PISTON STOPPER (CIRCLIP)	1	29040225
2	0 204 715 132	PRESSURE CUP	2	29040232
3	0 204 715 130	PRIMARY SEAL	2	29040231
5	0 204 318 711	GASKET	1	29040223
7	0 204 318 712	BOOT	1	29040224

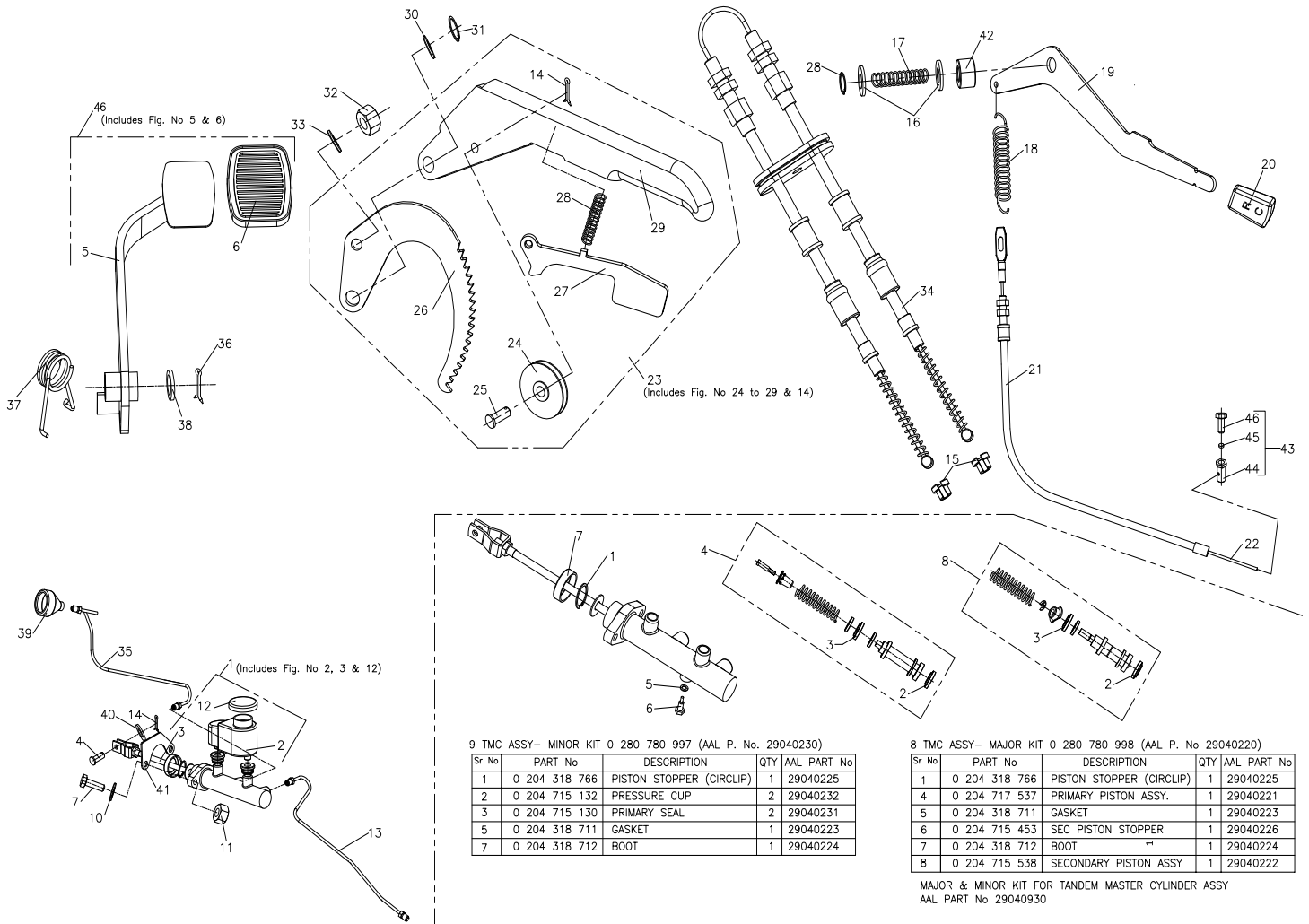
8 TMC ASSY- MAJOR KIT O 280 780 998 (AAL P. No 29040220)

Sr No	PART No	DESCRIPTION	QTY	AAL PART No
1	0 204 318 766	PISTON STOPPER (CIRCLIP)	1	29040225
4	0 204 717 537	PRIMARY PISTON ASSY.	1	29040221
5	0 204 318 711	GASKET	1	29040223
6	0 204 715 453	SEC PISTON STOPPER	1	29040226
7	0 204 318 712	BOOT	1	29040224
8	0 204 715 538	SECONDARY PISTON ASSY	1	29040222

MAJOR & MINOR KIT FOR TANDEM MASTER CYLINDER ASSY
AAL PART No 29040930

No.	Part No.	Description	Qty.	Remarks
1	29040930	TANDEM MASTER CYLINDER ASSY	1	
2	29040940	BRAKE RESERVOIR WITH CAP	1	
3	29040950	PUSH ROD	1	Not supplied
4	27040526	PIN	1	
5	29040921	FOOT BRAKE PEDAL	1	Not supplied
6	27040533	RUBBER FOOT REST	1	
7	80357380	HEX HD SCREW M8x30 CL 8.8	2	
8	29040220	MAJOR KIT TMC	1	
9	29040230	MINOR KIT TMC	1	
10	81020084	SPRING WASHER M8	2	
11	80757012	HEX NUT M8	2	
12	50059171	RESERVIOR CAP	1	Not supplied
13	36040015	BRAKE TUBE FOR REAR WHEEL-TMC TO 3WAY CONNECTOR	1	
14	27040527	SPLIT PIN	2	
15	27070029	CUP RETAINING SPRING	2	
16	73060110	PLAIN WASHER M10	2	
17	27070101	SPRING (RC LEVER)	1	
18	36070008	RETURN SPRING-R.C. LEVER (DRIVER END)	1	
19	27070108	RC BACKING COMMAND LEVER	1	
20	27010103	KNOB FOR BACKING COMMAND LEVER	1	
21	36070006	REVERSE GEAR CABLE ASSY	1	
22	36070007	REVERSE GEAR CABLE INNER	1	
23	27070020	HAND BRAKE CONTROL ASSY	1	
24	27070027	PULLEY FOR HAND BRAKE	1	Not supplied
25	27070028	CLEVIS PIN	1	Not supplied
26	27070024	RATCHET, HAND BRAKE CONTROL	1	Not supplied
27	27070022	STOP LEVER	1	Not supplied

TABLE - 11 : BRAKE -TANDEM CYLINDER, BRAKE PIPES AND HAND BRAKE



9 TMC ASSY- MINOR KIT O 280 780 997 (AAL P. No. 29040230)

Sr No	PART No	DESCRIPTION	QTY	AAL PART No
1	0 204 318 766	PISTON STOPPER (CIRCLIP)	1	29040225
2	0 204 715 132	PRESSURE CUP	2	29040232
3	0 204 715 130	PRIMARY SEAL	2	29040231
5	0 204 318 711	GASKET	1	29040223
7	0 204 318 712	BOOT	1	29040224

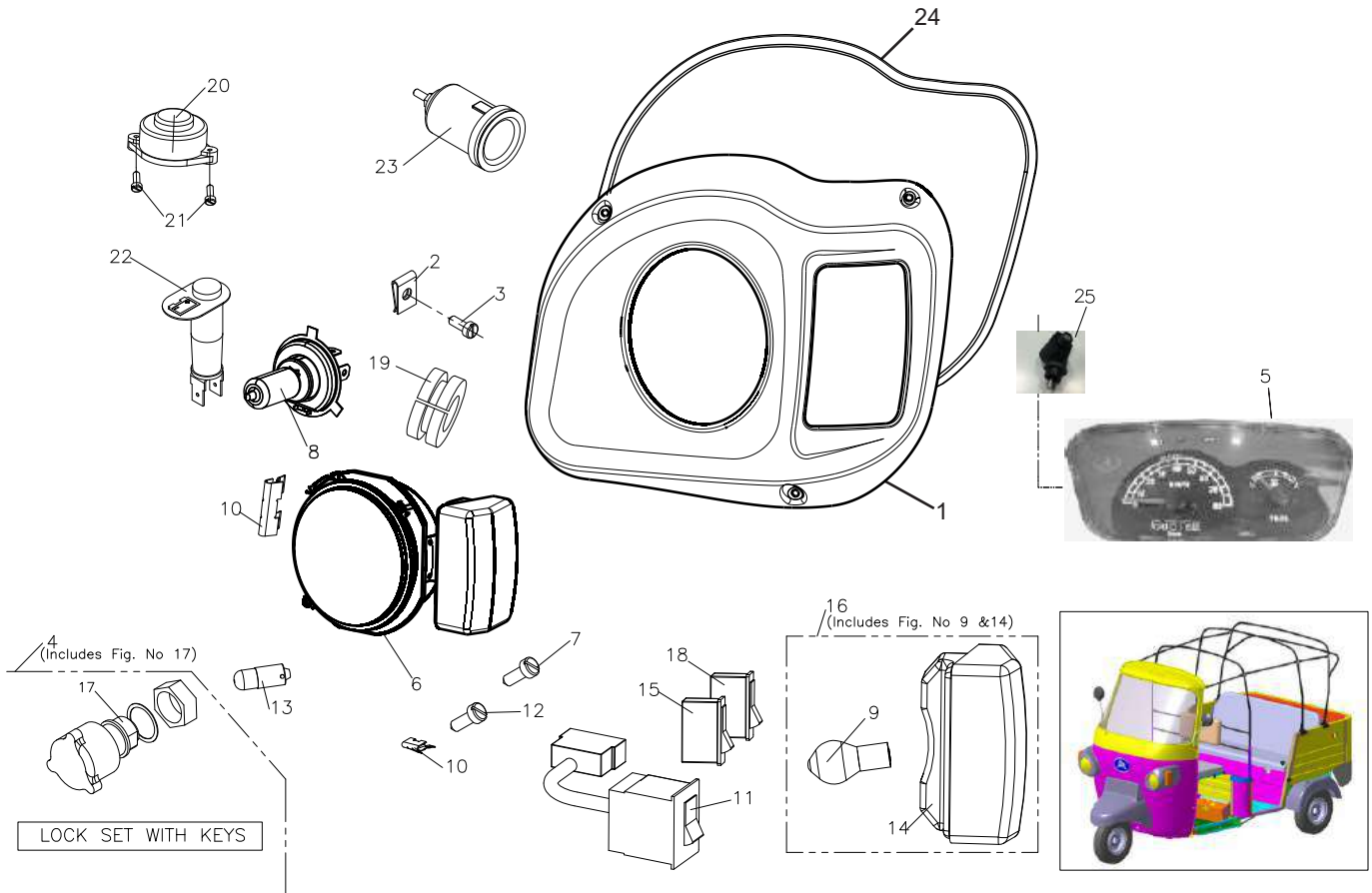
8 TMC ASSY- MAJOR KIT O 280 780 998 (AAL P. No 29040220)

Sr No	PART No	DESCRIPTION	QTY	AAL PART No
1	0 204 318 766	PISTON STOPPER (CIRCLIP)	1	29040225
4	0 204 717 537	PRIMARY PISTON ASSY.	1	29040221
5	0 204 318 711	GASKET	1	29040223
6	0 204 715 453	SEC PISTON STOPPER	1	29040226
7	0 204 318 712	BOOT	1	29040224
8	0 204 715 538	SECONDARY PISTON ASSY	1	29040222

MAJOR & MINOR KIT FOR TANDEM MASTER CYLINDER ASSY
AAL PART No 29040930

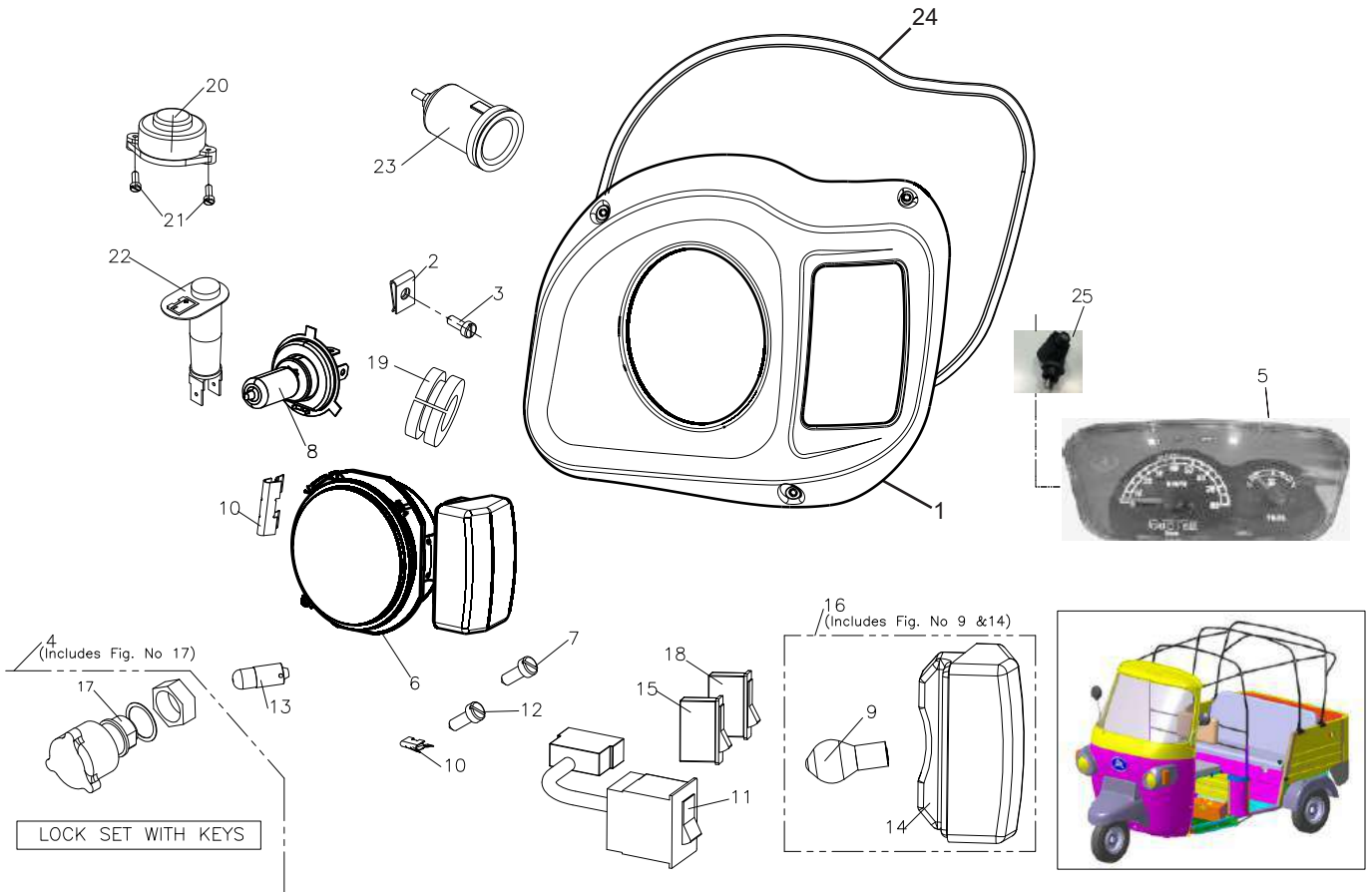
No.	Part No.	Description	Qty.	Remarks
28	27070023	SPRING FOR HAND BRAKE	1	Not supplied
29	27070021	HAND BRAKE CONTROL LEVER	1	Not supplied
30	27050777	PLAIN WASHER M10	1	
31	75400011	EXT CIRCLIP DIA 11	1	
32	80757012	HEX NUT M8	1	
33	81020084	SPRING WASHER M8	1	
34	33072080	CABLE ASSY HAND BRAKE	1	
35	27040558	TUBE BETWEEN TMC & FRT WHEEL	1	
36	27040525	SPLIT PIN	1	
37	27040524	BRAKE PEDAL SPRING	1	
38	27040523	WASHER 21x14.3x2	1	
39	27040553	CAP (BODY)	1	
40	27050775	PL WASHER 15x8.4x1.5	2	
41	29040202	REINFORCEMENT FOR TMC	1	
42	27070102	SPACER	1	
43	36060008	TRUNION ASSY	1	
44	36060007	TRUNION	1	Not supply
45	36060009	HEX HD SCREW M5x10 (SPL)	1	
46	29040920	FOOT BRAKE PEDAL ASSY.	1	

TABLE - 12 : ELECTRICAL DEVICES



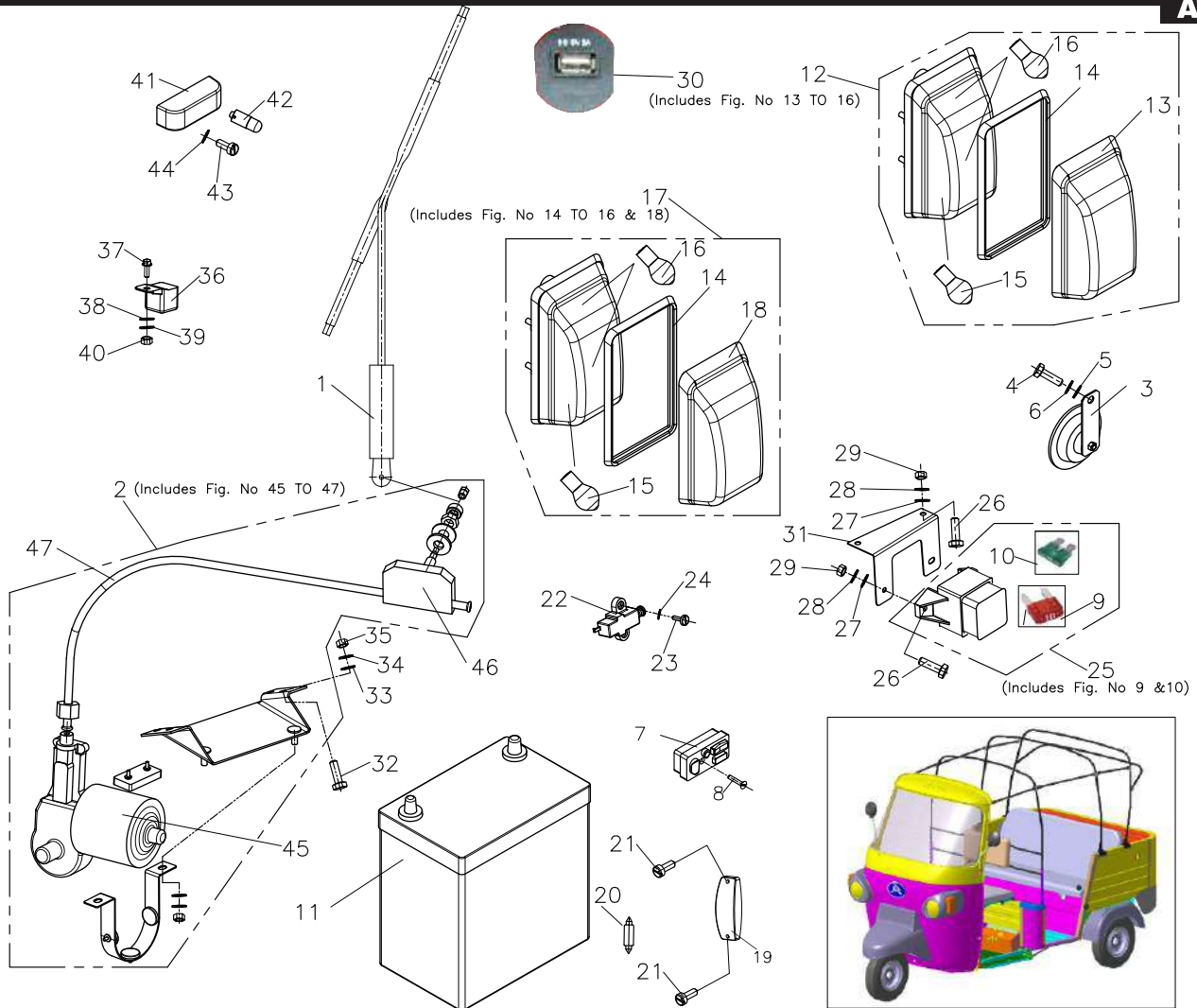
No.	Part No.	Description	Qty.	Remarks
1	36057391	HEADLAMP COVER, RH	1	
	36057392	HEADLAMP COVER, LH	1	
2	27080193	SPRING PLATE	2	
3	27050730	PAN SELF TP SCREW 8SGx13B	2	
4	36057270	LOCK SET WITH KEY	1	
5	36057220	INSTRUMENT CLUSTER ASSY WITH WHITE DIAL	1	
6	27082740	HEAD LAMP LH ASSY WITH BLINKER ASSY	1	
	27082760	HEAD LAMP RH ASSY WITH BLINKER ASSY	1	
7	27050729	PAN SELF TP SCREW 6SGx9.5AB	8	
8	27082771	HELOGEN BULBS HS1 12 V 35/35 W	2	
9	27080212	INDICATOR LIGHT BULB (AMBER) 12V 21W	2	
10	27050353	SECURING CLIP HEAD LAMP COVER	4	
11	27080117	HAZARD WARNING SWITCH	1	
12	27050726	PAN SELF TP SCREW 8SGx9.5	8	
13	80531204	HEAD LIGHT PARKING BULB 12V-4W	2	
14	27080184	FRONT PARKING LENSE RH	1	
	27080180	FRONT PARKING LENSE LH	1	
15	27080104	SWITCH THREE POSITION	1	
16	27080182	FRONT PARKING LAMP ASSY RH	1	
	27080178	FRONT PARKING LAMP ASSY LH	1	
17	36050013	STARTER (IGNITION) SWITCH ASSY WITH KEY	1	
18	27080116	SWITCH, WIPER MOTOR	1	
19	27080194	GROMMET (HEAD LAMP HARNESS)	2	
20	36080130	BEEPER	1	
21	33052512	CRS RCS PAN HEAD SCREW ST 3.5x16	2	Beeper Mtg
22	36080102	CHARGE WARNING INDICATOR	1	
23	27080127	SOCKET CIGARETTE LIGHTER WITH RING	1	Eng. Scope of supply
24	27057613	RUBBER BEADING (HEADLAMP COVER)	2	

TABLE - 12 : ELECTRICAL DEVICES



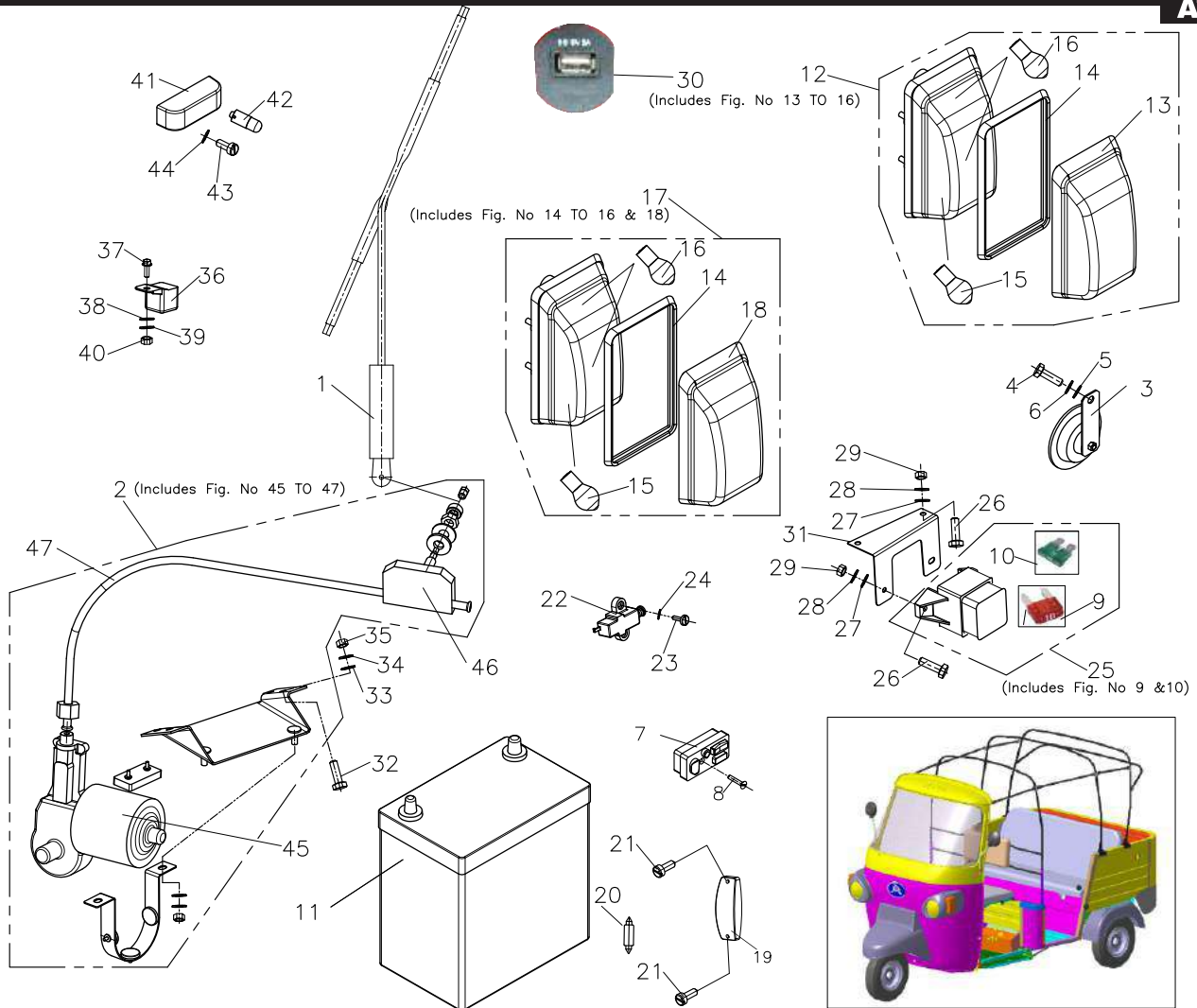
No.	Part No.	Description	Qty.	Remarks
26	36050540	ADAPTOR FOR SPEEDOMETER	1	

TABLE - 13 : ELECTRICAL DEVICES



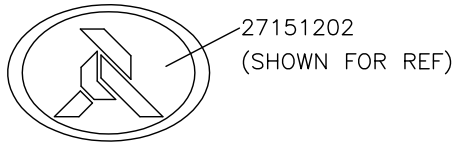
No.	Part No.	Description	Qty.	Remarks
1	27080040	WIPER BLADE WITH ARM	1	
2	27080027	WIPER MOTOR ASSY KIT (RACK TYPE)	1	Not supply
3	27080201	HORN SEALED TYPE DIA. 75	1	
4	80457374	HEX HEAD SCREW M8x16	1	
5	73060084	PLAIN WASHER M8	1	Horn Mtg.
6	81020084	SPRING WASHER M8	1	
7	36082720	SWITCH ASSY (HANDLE BAR)	1	
8	74900425	CSK SCREW M4x25	1	Switch assy mtg.
9	27080144	BLADE FUSE 10 A	6	Along with fuse box
10	27080166	BLADE FUSE 30 A	1	
11	50081140	BATTERY 32 AMP	1	
12	29080110	TAIL LAMP ASSY RH	1	
13	29080111	TAIL LAMP LENS RH	1	
14	29080112	PACKING TAIL LAMP	2	
15	80521205	BULB 12V-21/5 W	2	Tail lamp bulb
16	87761221	BULB 12 V-21W	4	
17	29080120	TAIL LAMP ASSY LH	1	
18	29080121	TAIL LAMP LENS -LH	1	
19	27082730	CABIN LIGHT ASSY WITH LAMP	1	
20	80531205	BULB 12V-5W	1	Cabin light bulb
21	27050727	PAN SELF TP SCREW 6SGx13AB MTG	2	Cabin light assy
22	26181220	SWITCH, BRAKE PEDAL (WITH COUPLER)	1	
23	80008015	SLOTTED CHEESE HD SCREW M4x15	2	Switch brake pedal mtg
24	73060043	PLAIN WASHER M4	2	
25	27080143	FUSE BOX WITH FUSE	1	Not supplied
26	80457254	HEX HEAD SCREW M5x16	4	
27	73060053	PLAIN WASHER M5	4	Fuse box mtg & bkt fuse

TABLE - 13 : ELECTRICAL DEVICES



No.	Part No.	Description	Qty.	Remarks
28	81020053	SPRING WASHER M5	4	Holder mtg to cross piece of strg mtg
29	80757009	HEX NUT M5	4	
30	27082780	USB MOBILE CHARGER	1	
31	27080157	BRACKET FUSE HOLDER	1	
32	80457294	HEX HD SCREW M6x16 CL 8.8	4	
33	73060064	PLAIN WASHER M6	4	Wiper motor mtg bkt to cross piece of strg mtg
34	81020064	SPRING WASHER M6	4	
35	80757010	HEX NUT M6	4	
36	40181280	FLASHER	1	
37	80477295	HEX HEAD FLANGED SCREW M6x18	1	
38	73060064	PLAIN WASHER M6	1	Flasher mtg
39	81020064	SPRING WASHER M6	1	Flasher mtg
40	80757010	HEX NUT M6	1	
41	27080196	ENGINE COMPARTMENT LAMP ASSY WITH BULB	1	
42	80531205	BULB 12V-5W	1	
43	27050731	PAN SELF TP SCREW 4SGx9.5AB	2	
44	73060030	PLAIN WASHER M3	2	
45	27080034	WIPER MOTOR ASSY	1	
46	27080030	WHEEL BOX ASSY WITH BLACK COVER	1	
47	27080037	BUNDY TUBE (WIPER MOTOR)	1	

TABLE - 14 : STICKER



LOGO (ATUL)	27151202
STICKER GENERAL INSTRUCTION (GEMINI)	29071207
STICKER RUNNING INSTRUCTION (GEMINI Gx)	36050010
STICKER-ATUL GEMINI Gx WHITE	36050009
STICKER-ATUL GEMINI Gx BLACK	36050008
STICKER YELLOW LINING SIDE PANEL	29051204
STICKER YELLOW LINING REAR DOOR	29051205
KIT-ATUL STICKER WHITE(REAR DOOR)	33051204
STICKER - PAXX	27051245
FIRST AID KIT	27090080
SPARE PART CATALOGUE (GEMINI Gx)	36090001
USER MANUAL (GEMINI Gx)	36090004
WORKSHOP MANUAL (GEMINI Gx)	36090005
ENGINE EXPLODED VIEW	36010004
SPECIAL TOOLS EXPLODED VIEW	36090002
MAINTENANCE SCHEDULE (GEMINI-Gx)	36090003

29051207

GENERAL INSTRUCTION GEMINI

- DO NOT MAINTAIN MAXIMUM SPEED FOR LONG PERIODS.
- DO NOT OPERATE AT FULL THROTTLE FOR LONG PERIODS.
- DO NOT IDLE FOR LONG PERIODS.
- DO NOT TRAVEL AT FULL THROTTLE ESPECIALLY WHILE CLIMBING.
- CLEAN AIR FILTER EVERY WEEK
- TYRE ROTATION AT EVERY 5000 Kms

TYRE PRESSURE

	kg/cm ²	PSI
FRONT-	2.2	(30 PSI)
REAR -	2.2	(30 PSI)

BATTERY MAINTENANCE:- CHECK BATTERY WATER LEVEL WEEKLY & TOP-UP WITH DISTILLED WATER, IF NEEDED.

36050010

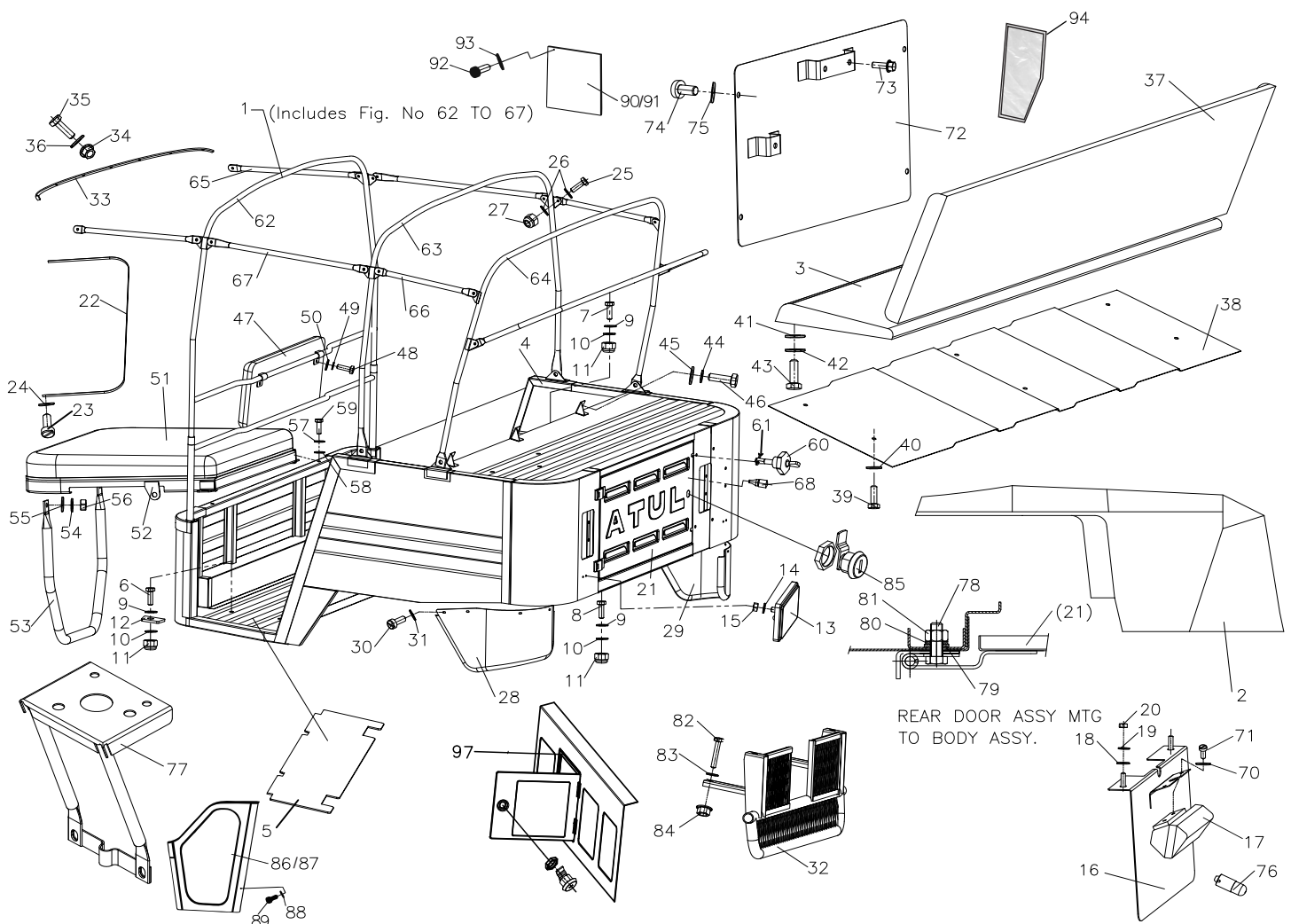
RUNNING IN INSTRUCTION GEMINI-GX

ADHERE FOLLOWING INSTRUCTION FOR FIRST 2000 KMS

- DO NOT EXCEED FOLLOWING SPEED
 - 1st GEAR - 10 km/hr
 - 2nd GEAR - 20 km/hr
 - 3rd GEAR - 30 km/hr
 - 4th GEAR - 45 km/hr
- AFTER EVERY 5000 KM CHANGE GEAR BOX OIL.
- CHECK THE WHEEL NUTS FOR SLACKNESS.
- CHECK ALL OTHER BOLT AND NUTS.
- CHANGE THE ENGINE OIL AFTER EVERY 5000 KM RUNNING
- CHECK VALVE CLEARANCE AND ADJUST IF NECESSARY ,AFTER FIRST 500 KM RUNNING OF THE VEHICLE (ONLY BY AUTHORIZED ENGINEER)
- DO NOT LOAD MORE THAN 70% IN ANY GEAR.

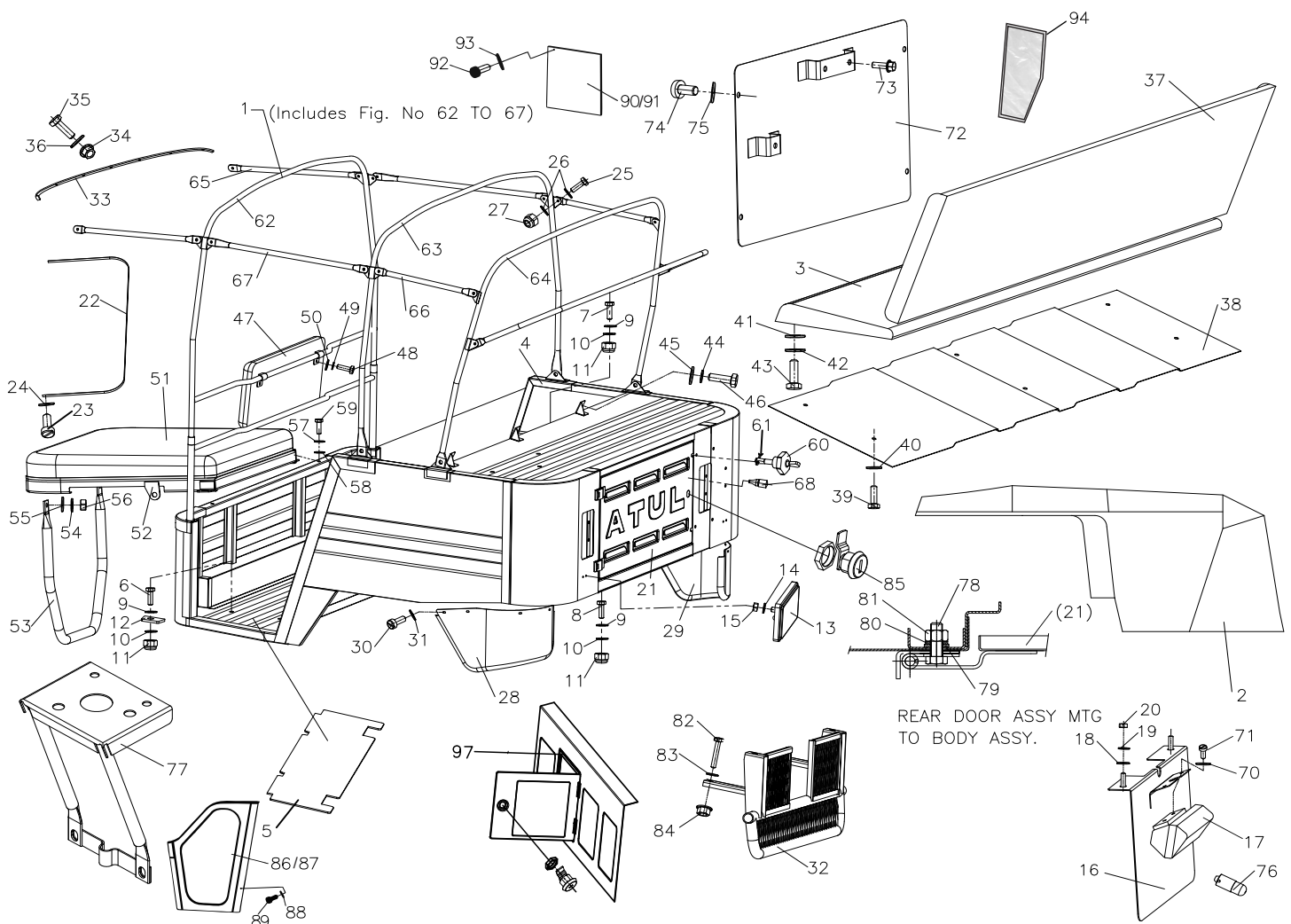
No.	Part No.	Description	Qty.	Remarks
1	27151202	LOGO (ATUL NEW)	1	
2	29051207	STICKER GENERAL INSTRUCTION (GEMINI)	1	
3	36050010	STICKER RUNNING INSTRUCTION (GEMINI-Gx)	1	
4	36057252	STICKER-ATUL GEMINI-Gx PETROL PREMIUM REAR	1	
5	36057251	STICKER-ATUL GEMINI-Gx PETROL PREMIUM FRONT	1	
6	29051204	STICKER YELLOW LINING SIDE PANEL	2	Not supplied
7	29051205	STICKER YELLOW LINING REAR DOOR	1	Not supplied
8	33051204	KIT-ATUL STICKER WHITE (REAR DOOR)	2	
9	27051245	STICKER-PAXX	1	
10	27090080	FIRST AID KIT	1	
11	36090001	SPARE PARTS CATALOG	1	Not supplied
12	36090004	USER MANUAL	1	Not supplied
13	36090005	WORKSHOP MANUAL	1	Not supplied
14	36010004	ENGINE EXPLODED VIEW	1	Not supplied
15	36090002	SPECIAL TOOLS EXPLODED VIEW (GEMINI-Gx)	1	Not supplied
16	36090003	MAINTENANCE SCHEDULE	1	Not supplied
17	27057803	STICKER PREMIUM LH SIDE	1	
18	27057804	STICKER PREMIUM RH SIDE	1	
19	36092002	COMPLIANCE PLATE	1	

TABLE - 15 : BODY PART



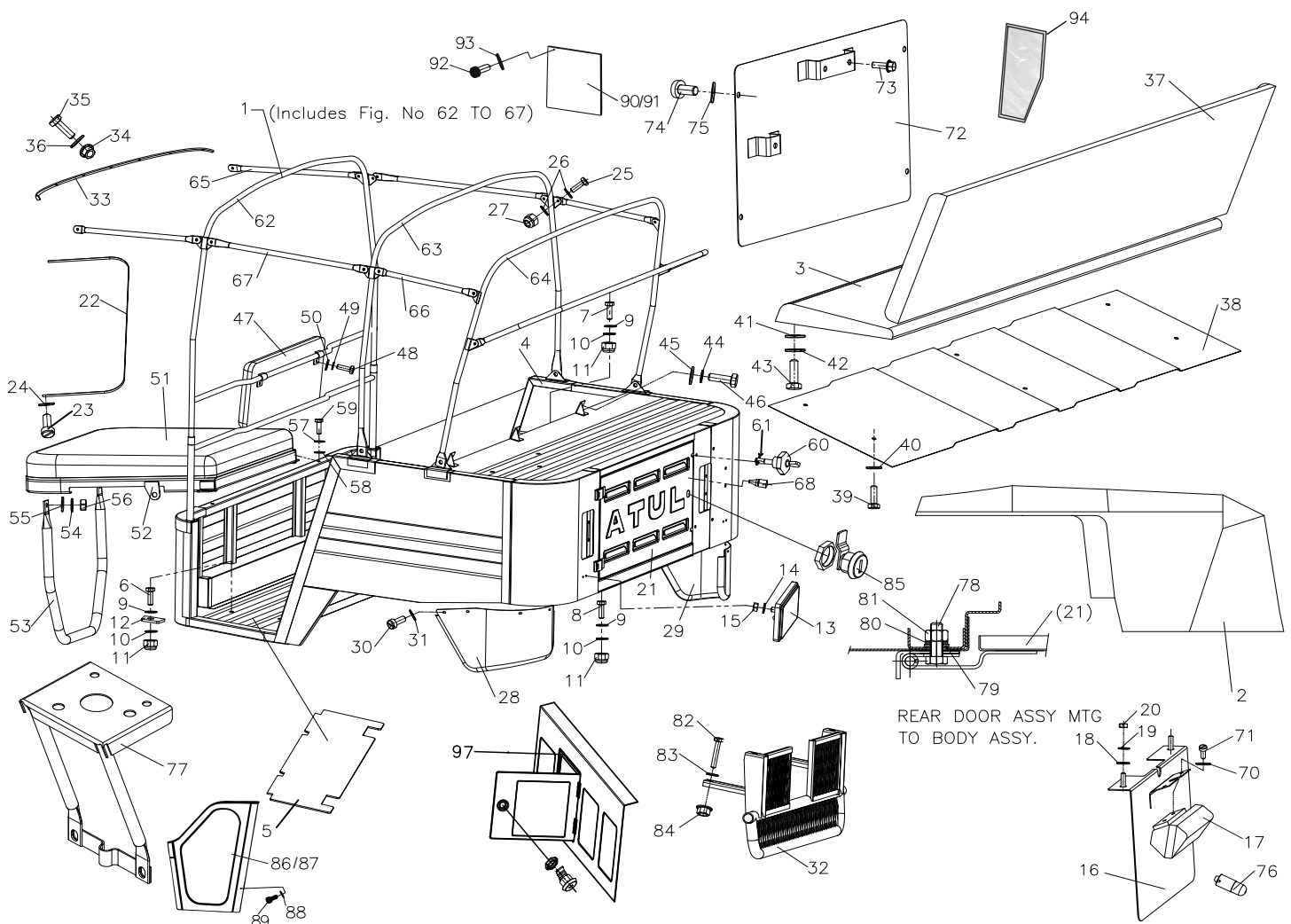
No.	Part No.	Description	Qty.	Remarks
1	33055700	HOOD FRAME ASSY	1	
2	29059160	CANVAS (SOFT TOP ASSY)	1	
3	29059790	PASSENGER SEAT ASSY	1	
4	36057310	BODY ASSEMBLY COMP. (Gemini Gx Petrol Premium)	1	
	36050030	RICKSHAW BODY ASSY. WITH I.P.	1	W/O rear door(N/S)
5	33095010	CARPET-PASS. COMP.	1	Fr. body mtg.
6	80457378	HEX HEAD SCREW M8x25	4	
7	80457376	HEX HEAD SCREW M8x20	2	
8	80457383	HEX HEAD SCREW M8x38	2	Mid. Body mtg.
9	27050771	PL WASHER M8	12	Rear body mtg.
10	81020084	SPRING WASHER M8	8	
11	80920080	NYLOCK NUT M8	8	
12	27010050	PLATE BODY MOUNTING	4	
13	50186070	ASSY REFLEX REFLECTOR	2	
14	81020053	SPRING WASHER M5	2	
15	80757009	HEX NUT M8	2	
16	29090150	REGISTRATIONPLATE ASSY	1	
17	27080186	LIGHT ASSY WITH BULB REGISTRATION PLATE	1	
18	73060064	PLAIN WASHER M6	2	
19	81020064	SPRING WASHER M6	2	
20	80757012	HEX NUT M6	2	Registration plat mtg.
21	29051140	REAR DOOR ASSY	1	
22	29053201	LATERAL PROFILE FOR COVER (S/T FIXING WITH BODY)	1	Not supplied
23	27050733	PAN SELF TP SCREW 6SGx16AB	13	Lateral profile mtg.
24	27051088	PLAIN WASHER 12x4.5x1	13	
25	80457294	HEX HD SCREW M6x16 CL 8.8	16	
26	73060064	PLAIN WASHER M6	32	Hood frame tubes mtg.
27	80920060	NYLOCK NUT M6	16	

TABLE - 15 : BODY PART



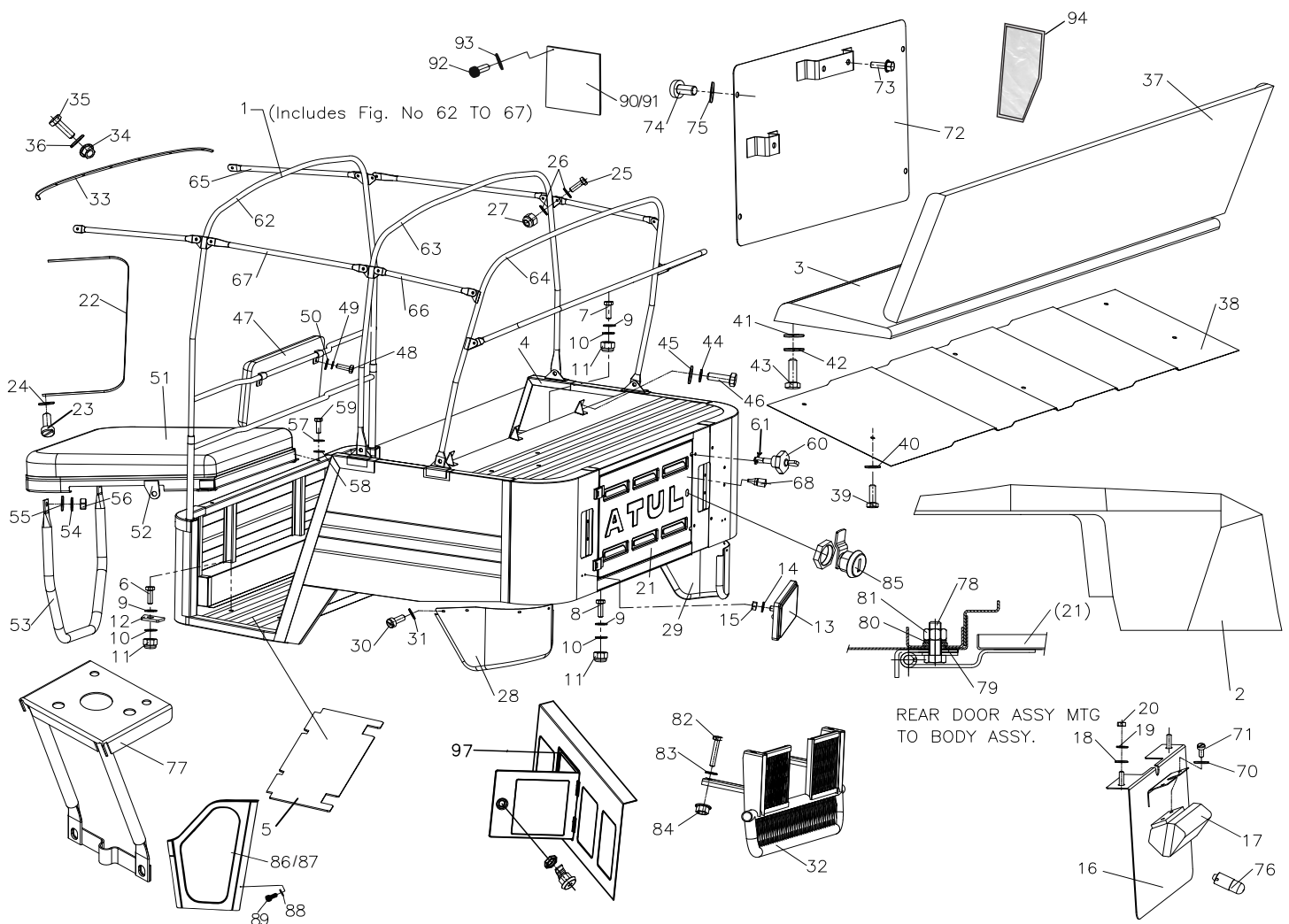
No.	Part No.	Description	Qty.	Remarks
28	29151026	REAR PANEL LH - Dark Grey	1	
28	29051026	REAR PANEL LH - Black	1	
29	29151027	REAR PANEL RH - Dark Grey	1	
29	29051027	REAR PANEL RH - Black	1	
30	27050729	PAN SELF TP SCREW 6SGx9.5AB	8	
31	33052501	PL WASHER 12x4.5x1	8	Rear panel mtg.
32	29090100	REAR BUMPER ASSY	1	
33	27050313	PLATE SOFT TOP MTG INSIDE	1	
34	80930060	HEX FLANGED NUT M6	7	
35	80457294	HEX HD SCREW M6x16 CL 8.8	7	Plate soft top mtg.
36	81020064	SPRING WASHER M6	7	
37	29059780	PASSENGER BACK REST ASSY	1	
38	29051028	MIDDLE FLOOR	1	
39	80457296	HEX HEAD SCREW M6x20	6	Pass seat to mid. floor mtg.
40	73060064	PLAIN WASHER M6	6	
41	73060084	PLAIN WASHER M8	2	
42	81020084	SPRING WASHER M8	2	Paxx seat mtg.
43	80457378	HEX HEAD SCREW M8x25	2	
44	81020064	SPRING WASHER M6	3	
45	73070064	PLAIN WASHER M6	3	
46	80457296	HEX HD SCREW M6x20	3	Pass back rest mtg.
47	29059770	DRIVER BACK REST ASSY	1	
48	80457296	HEX HEAD SCREW M6x20	2	
49	81020064	SPRING WASHER M6	2	Driver back rest mtg.
50	73070064	PLAIN WASHER M6	2	
51	29059760	DRIVER SEAT ASSY	1	
52	29050380	DRIVER SEAT FRAME ASSY	1	
53	29050363	DRIVER SEAT FRAME SUPPORT TUBE	1	

TABLE - 15 : BODY PART



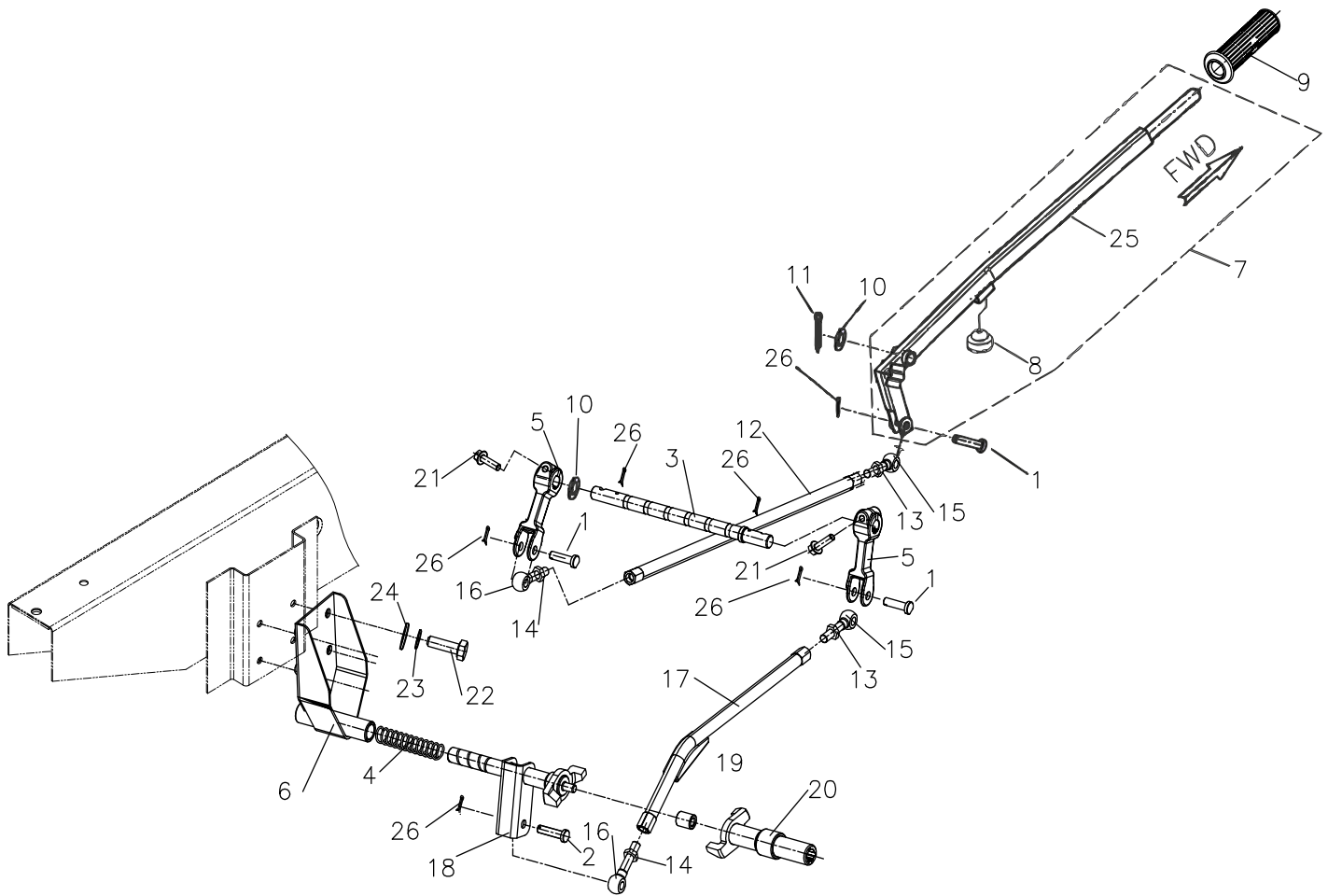
No.	Part No.	Description	Qty.	Remarks
54	81020084	SPRING WASHER M8	2	
55	73060084	PLAIN WASHER M8	2	Seat support pipe
56	80757012	HEX NUT M8	2	
57	81020084	SPRING WASHER M8	2	
58	27050771	PL WASHER M8	2	Driver seat to body
59	80457376	HEX HEAD SCREW M8x20	2	
60	29051160	KNOB ASSY (REAR DOOR)	2	
61	75503010	SPLIT PIN	2	
62	29053030	FRONT TUBE ASSY	1	Not supplied
63	29053050	MIDDLE TUBE ASSY	1	Not supplied
64	33055710	REAR TUBE ASSY	1	Not supplied
65	29053011	SUPPORT TUBE (WIND SHIELD TO FRONT TUBE)	2	Not supplied
66	29053013	SUPPORT TUBE (MID TUBE TO REAR TUBE TOP)	2	Not supplied
67	29053014	SUPPORT TUBE (FRONT TUBE TO MID TUBE)	2	Not supplied
68	29051024	GROMMET (REAR DOOR ASSY)	2	
69	27080186	LIGHT ASSY WITH BULB REGISTRATION PLATE	1	
70	73060033	PL WASHER 7x3.3x0.5	2	Registration plat
71	27050727	PAN SELF TP SCREW 6SGx13AB	2	light mtg.
72	33056125	PLATE ASSY IGNITION BOX MTG	1	Not supplied
73	80477292	HEX FLANGED SCREW M6x12	3	Box electrical mtg.
74	33052513	CROSS RECESS PAN HEAD SCREW M6x12	4	Plate assy ign. Box
75	81020064	SPRING WASHER M6	4	mtg. to body
76	80531205	BULB 12V-5W	1	
77	26092310	FARE METER SUPPORT PLATE	1	Not supplied
78	80457295	HEX HD SCREW M6x18 CL 8.8	2	
79	73060064	PLAIN WASHER M6	2	Rear door assy to
80	81020064	SPRING WASHER M6	2	body mtg

TABLE - 15 : BODY PART



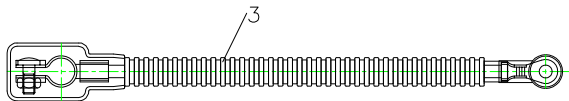
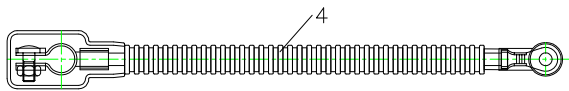
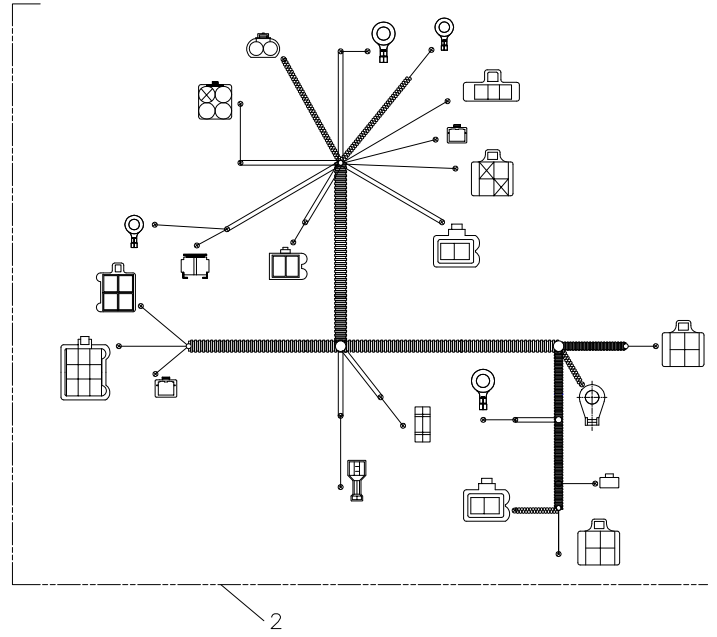
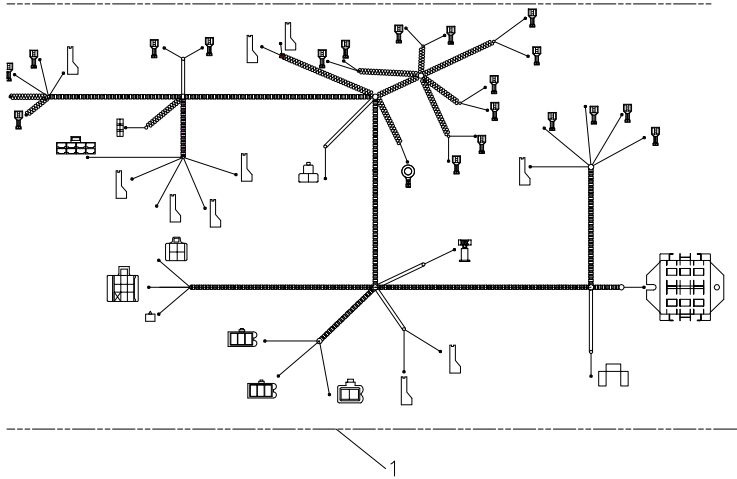
No.	Part No.	Description	Qty.	Remarks
81	80757010	HEX NUT M6	2	
82	80357535	HEX HD BOLT M8x100 CL 8.8	2	
83	73060084	PLAIN WASHER M8	2	Rear bumper assy mtg
84	80930080	HEX FLANGED NUT M8	2	
85	29051135	LOCK FOR REAR DOOR & LID W/O KEY	1	Not supplied
86	36054111	SIDE DOOR LH PASS, COMPARTMENT	1	Optional for one side (LH/RH) as per country requirement
87	36054101	SIDE DOOR RH PASS, COMPARTMENT	1	
88	33052512	CRS RCS PAN HEAD SCREW ST 3.5x16	7	Side door mtg.
89	73060043	PLAIN WASHER M4	7	
90	36052305	SIDE PAD RH (SIDE PANEL)	1	
91	36052306	SIDE PAD LH (SIDE PANEL)	1	
92	27050725	PAN SELF TP SCREW 8SGx16AB	6	Side pad mtg.
93	27050772	METALLIC PLAIN WASHER M5	6	
94	36058010	SIDE RAIN CURTAIN	1	
95	36080142	SPEAKER	1	
96	36080141	FM RADIO	1	
97	36052343	BEADING BATTERY DOOR	1	

TABLE - 16 : HAND STARTER



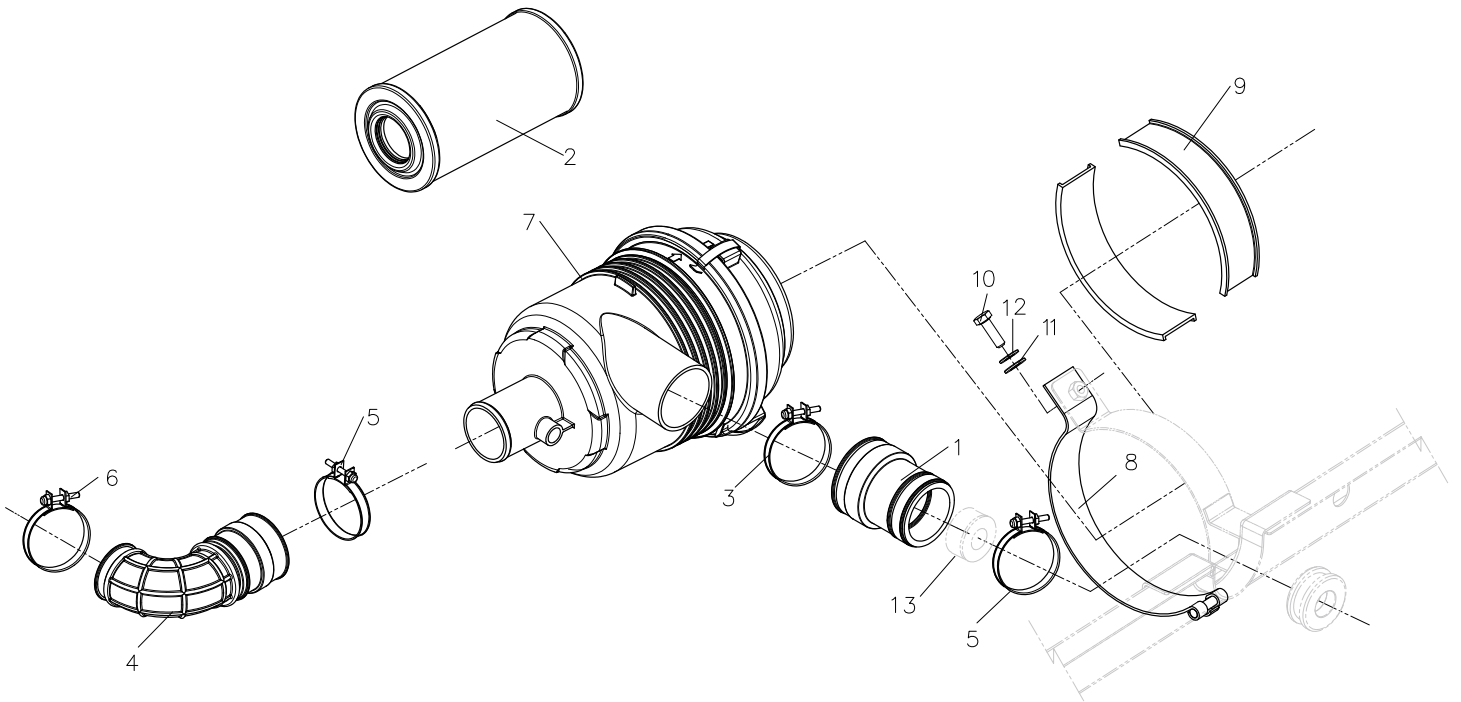
No.	Part No.	Description	Qty.	Remarks
1	36070023	PIN FOR MIDDLE LINK	2	
2	36070024	PIN FOR FRONT & REAR LINK	2	
3	36070021	MIDDLE SHAFT HAND START	1	
4	36070025	SPRING HAND START	1	
5	36070022	LINK MIDDLE	2	
6	36070050	BRACKET ASSY (LINK ENGINE SIDE)	1	
7	36070220	HAND START LEVER ASSY COMP	1	
8	36070026	RUBBER STOP (HAND START LEVER)	1	
9	36070027	GRIP HANDLE (HANDLE SRART LEVER)	1	
10	27040552	PL WASHER 24x16x1.5	1	
11	75522526	SPLIT PIN	1	
12	36070080	CONNECTING TUBE ASSY FRONT	1	
13	36070103	RH THREADED LOCK NUT	2	
14	36070104	LH THREADED LOCK NUT	2	
15	36070101	EYELET RH THREADED	2	
16	36070102	EYELET LH THREADED	2	
17	36070090	CONNECTING TUBE SUB ASSY REAR	1	
18	36070030	SHAFT ASSY ENGINE SIDE	1	
19	36070028	RUBBER BUS (HAND START)	1	
20	36070040	SPLINED SHAFT ASSY ENG. SIDE	1	
21	80477380	HEX FLANGED SCREW M8x30	2	
22	80457374	HEX HEAD SCREW M8x16	4	
23	81020084	SPRING WASHER M8	4	
24	73060084	PLAIN WASHER M8	4	
25	36070200	HAND START LEVER ASSY	1	
26	75503010	SPLIT PIN	2	

TABLE - 17 : WIRING HARNESS



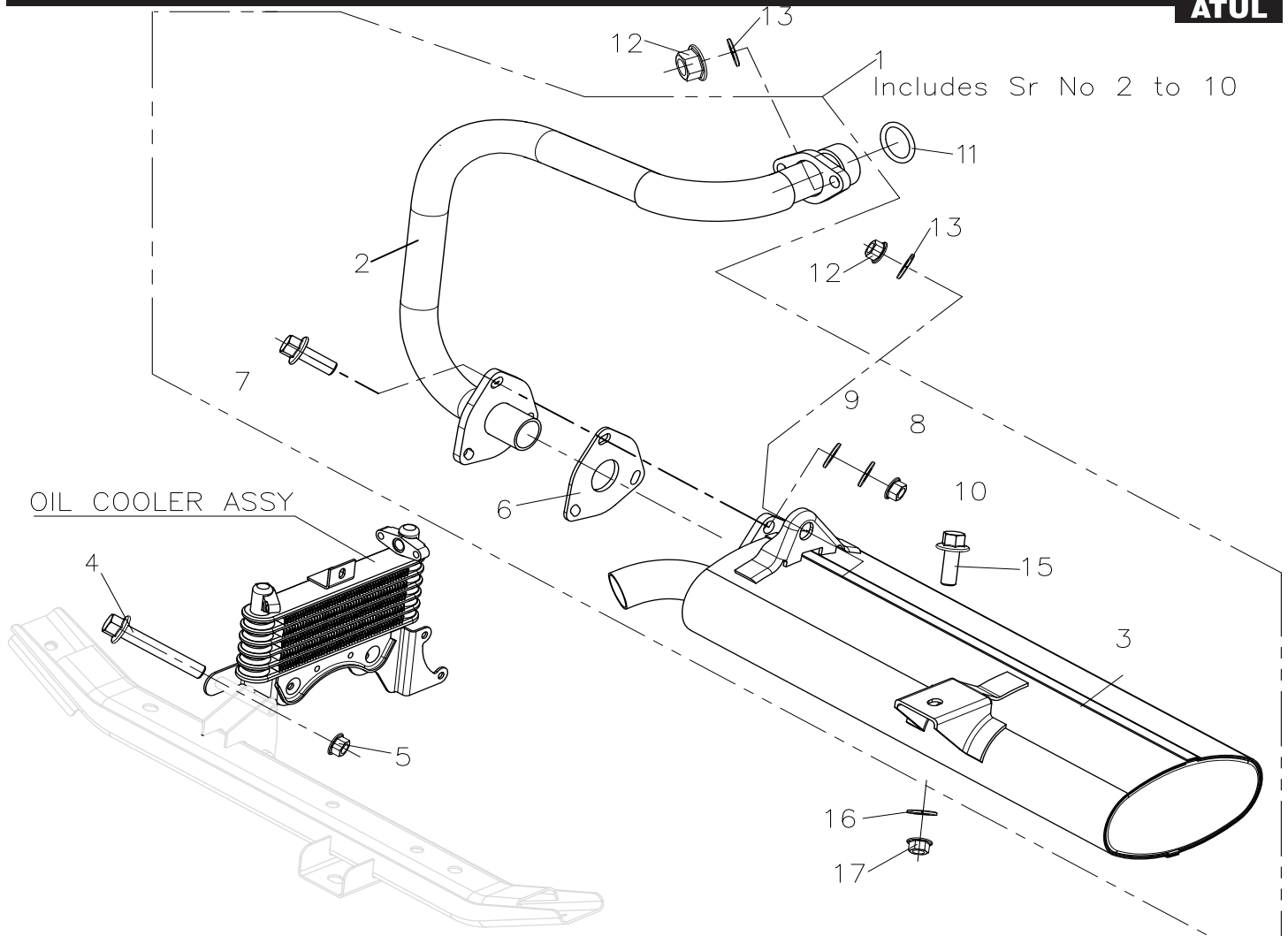
No.	Part No.	Description	Qty.	Remarks
1	36087020	WIRING HARNESS FRONT	1	
2	36087030	WIRING HARNESS REAR	1	
3	36082050	BATTERY CABLE -VE ASSY (GEMINI Gx CNG)	1	
4	36080202	BATTERY CABLE +VE ASSY (BATERRY TO STARTER MOTOR)	1	

TABLE - 18 : AIR FILTER ELEMENT



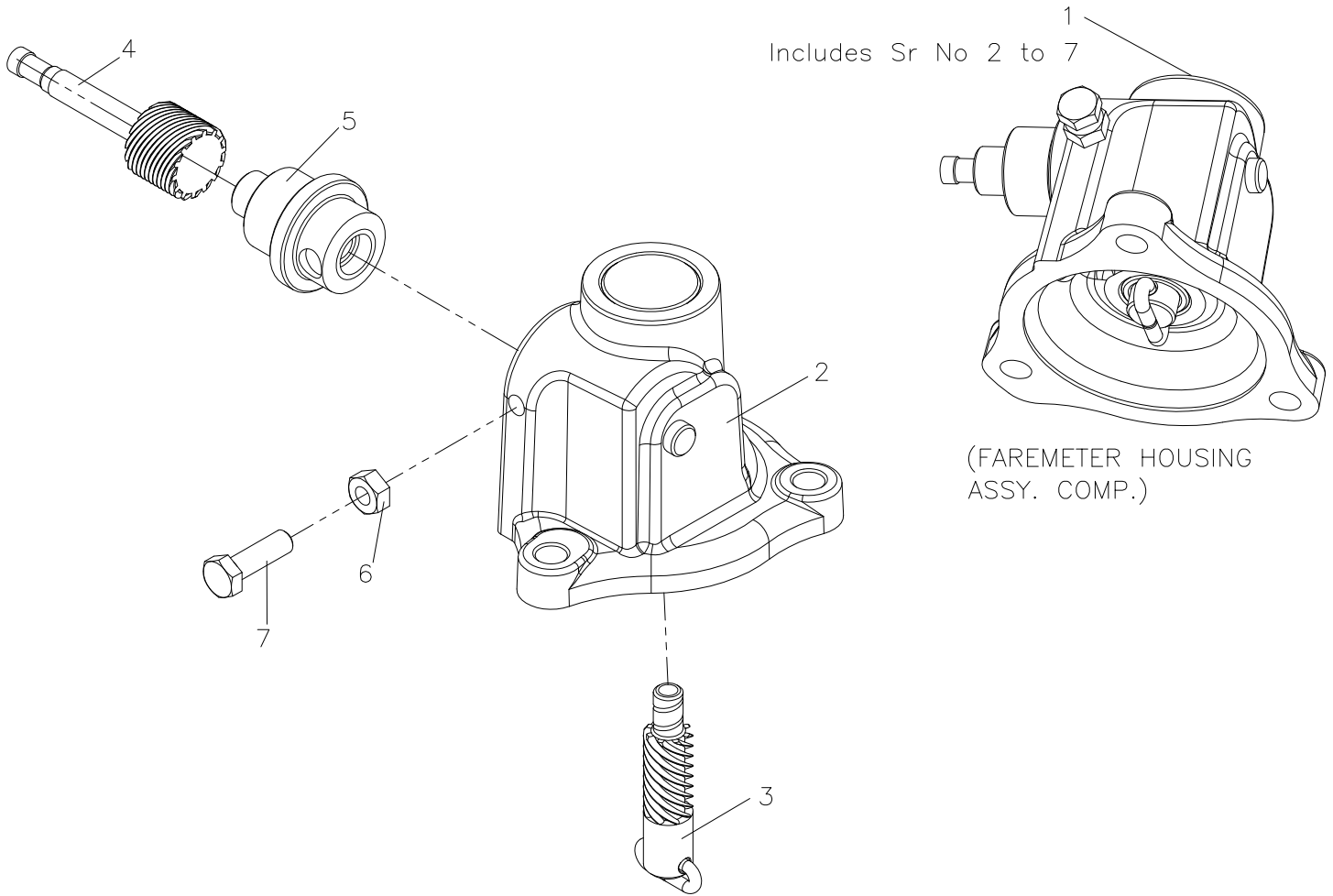
No.	Part No.	Description	Qty.	Remarks
1	36010413	BELLOW ASSY BODY TO AIR FILTER	1	
2	36010403	AIR FILTER ELEMENT	1	
	AL121062	AIR FILTER ELEMENT	1	B
3	26071004	CLAMP BIG DIA 62	1	
4	36010414	BELLOW ASSY AIR FILTER TO CARB	1	UCAL
5	22071003	CLAMP BELLOW	2	
6	36092019	CLIP DIA 46	1	
7	36010390	AIR FILTER ASSY (MAHLE)	1	
8	36010392	CLAMP AIR FILTER SUB ASSY.	1	
9	36010396	PACKING FOR STRAP (AIR FILTER)	2	
10	80457378	HEX HEAD SCREW M8X25	1	Clamp air filter assy mtg. - Premium
11	73060084	PLAIN WASHER M8	1	
12	81020084	SPRING WASHER M8	1	
13	36010416	REDUCER AIR FILTER (22*8.5)	1	UCAL

TABLE - 19 : SILENCER & OIL COOLER ASSY.



No.	Part No.	Description	Qty.	Remarks
1	36010330	SILENCER ASSY COMP	1	Include(2 to 10) (N/S) For export only (N/S)
	36010490	SILENCER ASSY COMP		
2	36010450	EXHAUST TUBE ASSY	1	
3	36010460	MUFFLER ASSY	1	
4	80367306	HEX HEAD FLANGED BOLT M6X50	1	
5	80930060	HEX FLANGED NUT M6	1	
6	36010331	GASKET (MUFFLET SIDE)	1	
7	80477298	HEX FLANGED SCREW M6X25	3	
8	81020064	SPRING WASHER M6	3	Exhaust tube assy mtg. to muffler assy
9	73060064	PLAIN WASHER M6	3	
10	80930060	HEX FLANGED NUT M6	3	
11	36010008	PACKING SILENCER ENGINE SIDE	1	Along with eng. SOS
12	80930080	HEX FLANGED NUT M8	3	Exhaust tube top flange mtg
13	81020084	SPRING WASHER M8	3	Exhaust tube top flange mtg
14	80357388	HEX HEAD BOLT (M8X60)	1	
15	80477416	HEX FLANGED SCREW (M10X20)	1	Silencer assy mtg to cross member eng. Mtg. rear
16	81020105	SPRING WASHER M10	1	
17	80930100	HEX FLANGED NUT M10	1	
18	36010250	KIT GASKET EXHAUST	1	Included Fig. 6,11

TABLE - 20 : FARE METER HOUSING ASSY.



No.	Part No.	Description	Qty.	Remarks
1	36030100	FAREMETER HOUSING ASSY COMP.	1	Not supply
2	36030101	FAREMETER HOUSING ASSY	1	
3	36030110	FAREMETER PINION ASSY	1	
4	26030085	FAREMETER GEAR	1	
5	26030086	ADOPTER	1	
6	80757009	HEX NUT M5	1	
7	80457254	HEX HEAD SCREW M5x16	1	

ENGINE

No.	Part No.	Table No.	Page No.	No.	Part No.	Table No.	Page No.	No.	Part No.	Table No.	Page No.
1	33086050	R	29	18	36010073	A	9	14	36010145	Q	28
13	33086051	R	29	9	36010074	A	9	13	36010146	Q	28
14	33086052	R	29	8	36010075	A	9	4	36010147	Q	28
4	36010011	F	15	12	36010077	A	9	9	36010148	O	26
5	36010012	F	15	11	36010078	A	9	3	36010148	Q	28
6	36010013	F	15	5	36010079	A	9	12	36010148	R	29
16	36010014	C	11	3	36010080	A	9	12	36010149	Q	28
15	36010014	F	15	2	36010081	A	9	17	36010150	C	11
14	36010015	F	15	15	36010082	A	9	24	36010151	C	11
10	36010016	F	15	13	36010083	A	9	22	36010152	C	11
11	36010017	F	15	11	36010084	B	10	25	36010153	C	11
2	36010018	F	15	16	36010085	A	9	23	36010154	C	11
1	36010019	F	15	10	36010086	A	9	28	36010155	C	12
18	36010020	F	15	7	36010087	A	9	18	36010157	C	11
17	36010023	F	15	21	36010088	A	9	6	36010158	C	11
19	36010025	F	15	5	36010089	B	10	12	36010160	N	25
3	36010026	F	15	2	36010090	B	10	4	36010161	B	10
8	36010027	F	15	6	36010091	B	10	3	36010161	N	25
9	36010028	F	15	1	36010092	B	10	7	36010162	N	25
1	36010029	D	13	10	36010093	B	10	7	36010163	B	10
17	36010030	A	9	8	36010095	B	10	2	36010163	N	25
3	36010030	C	11	3	36010096	B	10	10	36010165	N	25
3	36010030	D	13	9	36010097	B	10	7	36010166	C	11
11	36010030	N	25	5	36010097	N	25	14	36010166	N	25
6	36010031	D	13	14	36010099	B	10	13	36010167	N	25
20	36010032	F	15	7	36010099	Q	28	16	36010168	N	25
13	36010035	F	15	13	36010100	B	10	17	36010169	N	25
16	36010038	F	15	6	36010100	L	22	18	36010171	N	25
12	36010039	F	15	12	36010101	B	10	6	36010174	N	25
13	36010041	G	16	15	36010102	B	10	8	36010177	N	25
9	36010042	G	16	16	36010103	B	10	4	36010179	N	25
10	36010043	G	16	1	36010104	A	9	20	36010180	N	25
8	36010044	G	16	20	36010106	A	9	21	36010181	N	25
15	36010045	G	16	17	36010107	B	10	1	36010182	N	25
11	36010046	G	16	8	36010110	D	13	1	36010185	Q	28
5	36010047	G	16	9	36010111	D	13	2	36010186	Q	28
6	36010048	G	16	10	36010112	D	13	8	36010188	Q	28
4	36010049	G	16	5	36010113	D	13	5	36010189	Q	28
3	36010050	G	16	7	36010114	D	13	6	36010190	Q	28
7	36010051	G	16	4	36010115	D	13	11	36010191	Q	28
1	36010052	G	16	2	36010116	D	13	9	36010192	Q	28
2	36010053	G	16	6	36010117	E	14	10	36010193	Q	28
4	36010054	A	9	7	36010118	E	14	15	36010194	Q	28
6	36010054	A	9	2	36010119	E	14	2	36010201	O	26
13	36010054	C	11	5	36010120	E	14	4	36010203	O	26
14	36010054	G	16	1	36010121	E	14	5	36010204	O	26
3	36010054	H	17	4	36010122	E	14	6	36010205	O	26
15	36010054	N	25	9	36010123	E	14	9	36010206	N	25
2	36010055	H	17	8	36010124	E	14	7	36010206	O	26
1	36010056	H	17	3	36010125	E	14	8	36010207	O	26
4	36010057	H	17	20	36010130	C	11	27	36010222	C	11
5	36010058	H	17	23	36010130	N	25	26	36010227	F	15
6	36010059	H	17	21	36010131	C	11	29	36010251	C	12
7	36010060	H	17	19	36010132	C	11	30	36010252	C	12
10	36010061	H	17	11	36010133	C	11	15	36010253	C	11
9	36010062	H	17	12	36010135	C	11	11	36010260	D	13
12	36010063	H	17	10	36010136	C	11	12	36010270	D	13
11	36010064	H	17	9	36010137	C	11	13	36010280	D	13
8	36010065	H	17	14	36010138	C	11	16	36010300	Q	28
12	36010066	G	16	2	36010139	C	11	16	36010500	G	16
14	36010071	A	9	4	36010140	C	11	22	36015041	F	15
19	36010072	A	9	5	36010142	C	11	23	36015042	F	15
22	36010072	N	25	1	36010143	C	11	10a	36015043	H	17
5	36010072	P	27	8	36010144	C	11	24	36015044	F	15

ENGINE

No.	Part No.	Table No.	Page No.	No.	Part No.	Table No.	Page No.	No.	Part No.	Table No.	Page No.
25	36015045	F	15	19	36030034	M	23	11	80930060	J	19
21	36017030	F	15	20	36030035	M	23	19	80930060	N	25
18	36017161	B	10	21	36030036	M	23	1	80930060	O	26
15	36017162	L	22	22	36030042	M	23	1	80930060	S	30
10	36020002	I	18	1	36030046	M	23	7	81020053	R	29
11	36020011	I	18	7	36030047	M	23	4	81020053	S	30
12	36020012	I	18	6	36030048	M	23	8	81020064	S	30
5	36020013	J	19	5	36030049	M	23				
3	36020016	J	19	4	36030050	M	23				
6	36020017	J	19	3	36030051	M	23				
4	36020018	J	19	2	36030052	M	23				
2	36020020	J	19	23	36030053	K	21				
12	36020021	J	19	23	36030054	M	24				
13	36020022	J	19	1	36030080	L	22				
1	36020024	J	19	11	36030081	L	22				
8	36020025	J	19	7	36030082	L	22				
2	36020026	I	18	26	36030083	C	11				
10	36020028	J	19	7	36030083	J	19				
9	36020030	J	19	8	36030083	L	22				
17	36020034	I	18	3	36030083	O	26				
1	36020060	I	18	13	36030084	L	22				
13	36020061	I	18	12	36030085	L	22				
6	36020063	I	18	10	36030086	L	22				
16	36020064	I	18	4	36030087	L	22				
15	36020065	I	18	5	36030088	L	22				
14	36020066	I	18	2	36030089	L	22				
4	36020067	I	18	14	36030091	L	22				
5	36020068	I	18	9	36030092	L	22				
7	36020069	I	18	3	36030093	L	22				
3	36020070	I	18	24	36040200	M	24				
9	36020071	I	18	12	36052400	S	30				
8	36020072	I	18	4	36080003	P	27				
21	36030001	K	20	6	36080005	P	27				
9	36030002	K	20	7	36080006	P	27				
20	36030003	K	20	8	36080008	P	27				
14	36030004	K	20	2	36080009	P	27				
18	36030005	K	20	3	36080010	P	27				
19	36030006	K	20	2	36080021	R	29				
13	36030007	K	20	3	36080022	R	29				
8	36030008	K	20	4	36080023	R	29				
6	36030009	K	20	5	36080024	R	29				
5	36030010	K	20	6	36080025	R	29				
4	36030011	K	20	8	36080027	R	29				
3	36030012	K	20	9	36080028	R	29				
2	36030013	K	20	10	36080029	R	29				
1	36030014	K	20	11	36080030	R	29				
7	36030015	K	20	2	36080041	S	30				
16	36030016	K	20	6	36082100	S	30				
17	36030017	K	20	16	36082101	S	30				
15	36030018	K	20	15	36082110	S	30				
22	36030019	K	20	10	36082120	S	30				
10	36030020	K	20	1	36082140	P	27				
11	36030021	K	20	13	36082170	S	30				
12	36030022	K	20	11	36082180	S	30				
16	36030023	M	23	10	36090031	O	26				
17	36030024	M	23	31	50010015	C	12				
8	36030025	M	23	3	73060053	S	30				
14	36030026	M	23	9	73060064	S	30				
12	36030027	M	23	5	80457256	S	30				
11	36030028	M	23	7	80457292	S	30				
13	36030029	M	23	15	80457376	M	23				
9	36030030	M	23	13	80477298	H	17				
18	36030031	M	23	14	80477298	S	30				
10	36030032	M	23	7	80930060	F	15				

VEHICLE

No.	Part No.	Table No.	Page No.	No.	Part No.	Table No.	Page No.	No.	Part No.	Table No.	Page No.
5	22071003	18	62	4	27050523	2	34	25	27060074	7	43
16	26030011	6	40	46	27050525	2	34	47	27060075	7	43
4	26030085	20	64	25	27050526	4	37	16	27060076	7	43
5	26030086	20	64	13	27050527	1	32	2	27060077	7	43
49	26041016	6	40	14	27050528	2	34	44	27060077	7	43
43	26041072	6	40	48	27050531	2	34	43	27060078	7	43
56	26041072	6	40	12	27050533	2	34	39	27060084	7	43
31	26061002	7	43	1	27050544	2	34	45	27060085	7	43
30	26061003	7	43	2	27050546	2	34	28	27060089	6	40
29	26061005	7	43	5	27050558	3	36	26	27060089	7	43
32	26061008	7	43	21	27050566	5	39	27	27060091	6	40
34	26061018	7	43	13	27050568	4	37	6	27060091	7	43
18	26061019	7	43	4	27050576	4	37	3	27060092	7	43
35	26061021	7	43	14	27050594	3	36	41	27060096	7	43
37	26061022	7	43	7	27050596	3	36	38	27060098	7	43
15	26061042	8	45	8	27050597	3	36	28	27060107	7	43
14	26061043	8	45	12	27050598	3	36	3	27060117	6	40
3	26071004	18	62	28	27050619	4	37	7	27060118	6	40
39	26080050	2	34	26	27050677	4	37	5	27060119	6	40
77	26092310	15	56	27	27050678	4	37	6	27060120	6	40
22	26181220	13	53	3	27050700	2	34	4	27060121	6	40
6	27010026	1	32	3	27050725	3	36	20	27060146	6	40
13	27010029	8	45	23	27050725	4	37	27	27060211	7	43
12	27010050	15	56	11	27050725	5	39	1	27060220	7	43
20	27010103	11	49	92	27050725	15	56	51	27060281	7	43
19	27010106	8	45	12	27050726	12	51	23	27070020	11	49
30	27010621	2	34	21	27050727	13	53	29	27070021	11	49
31	27010622	2	34	71	27050727	15	56	27	27070022	11	49
38	27040523	11	49	18	27050729	5	39	28	27070023	11	49
37	27040524	11	49	7	27050729	12	51	26	27070024	11	49
36	27040525	11	49	30	27050729	15	56	24	27070027	11	49
4	27040526	11	49	3	27050730	12	51	25	27070028	11	49
14	27040527	11	49	15	27050731	4	37	15	27070029	11	49
6	27040533	11	49	32	27050731	4	37	44	27070089	1	32
10	27040548	7	43	43	27050731	13	53	17	27070101	11	49
3	27040549	1	32	14	27050732	4	37	42	27070102	11	49
20	27040551	7	43	23	27050733	15	56	19	27070108	11	49
49	27040552	7	43	9	27050771	15	56	2	27080027	13	53
10	27040552	16	60	58	27050771	15	56	46	27080030	13	53
39	27040553	11	49	16	27050772	5	39	45	27080034	13	53
8	27040556	7	43	93	27050772	15	56	47	27080037	13	53
35	27040558	11	49	40	27050775	11	49	1	27080040	13	53
2	27040651	9	47	30	27050777	11	49	15	27080104	12	51
2	27040651	10	48	2	27051088	3	36	18	27080116	12	51
8	27040930	9	47	24	27051088	4	37	11	27080117	12	51
8	27040930	10	48	24	27051088	15	56	23	27080127	12	51
42	27050298	2	34	6	27051135	3	36	25	27080143	13	53
43	27050298	2	34	9	27051245	14	55	9	27080144	13	53
33	27050313	15	56	32	27052706	2	34	31	27080157	13	53
17	27050333	5	39	24	27057613	12	51	10	27080166	13	53
17	27050334	5	39	17	27057803	14	55	16	27080178	12	51
10	27050353	12	51	18	27057804	14	55	14	27080180	12	51
36	27050501	2	34	47	27058276	2	34	16	27080182	12	51
33	27050502	2	34	11	27060014	8	45	14	27080184	12	51
34	27050504	2	34	37	27060015	8	45	17	27080186	15	56
44	27050506	2	34	18	27060016	8	45	69	27080186	15	56
45	27050507	2	34	32	27060027	8	45	4	27080193	3	36
5	27050512	5	39	22	27060030	8	45	2	27080193	12	51
6	27050514	5	39	21	27060050	8	45	19	27080194	12	51
9	27050516	5	39	11	27060068	7	43	41	27080196	13	53
10	27050517	5	39	4	27060069	7	43	3	27080201	13	53
9	27050520	1	32	12	27060070	7	43	9	27080212	12	51
23	27050521	8	45	19	27060071	7	43	19	27082730	13	53
37	27050522	2	34	13	27060072	7	43	6	27082740	12	51

VEHICLE

No.	Part No.	Table No.	Page No.	No.	Part No.	Table No.	Page No.	No.	Part No.	Table No.	Page No.
6	27082760	12	51	2	29051207	14	55	19	33082303	4	37
8	27082771	12	51	65	29053011	15	56	33	33092011	1	32
30	27082780	13	53	66	29053013	15	56	20	33092051	5	39
17	27088511	4	37	67	29053014	15	56	5	33095010	15	56
22	27090015	5	39	62	29053030	15	56	14	36010004	14	55
22	27090041	4	37	63	29053050	15	56	11	36010008	19	63
48	27090053	1	32	22	29053201	15	56	18	36010250	19	63
38	27090058	1	32	2	29059160	15	56	21	36010310	1	32
39	27090066	1	32	51	29059760	15	56	14	36010312	1	32
10	27090080	14	55	47	29059770	15	56	17	36010313	1	32
21	27098048	2	34	37	29059780	15	56	24	36010320	1	32
1	27151202	4	37	3	29059790	15	56	6	36010331	19	63
1	27151202	14	55	14	29060052	6	40	7	36010390	18	62
4	27160013	8	45	1	29060060	6	40	8	36010392	18	62
18	27160145	6	40	1	29060070	6	40	9	36010396	18	62
15	28050272	3	36	42	29060107	7	43	2	36010403	18	62
9	29040010	9	47	1	29060110	7	43	1	36010413	18	62
3	29040011	9	47	7	29060121	7	43	4	36010414	18	62
5	29040012	9	47	14	29060122	7	43	13	36010416	18	62
5	29040012	10	48	52	29060131	7	43	24	36010432	2	34
4	29040013	9	47	53	29060132	7	43	22	36010433	2	34
6	29040014	9	47	48	29060150	7	43	17	36010434	2	34
6	29040014	10	48	12	29060152	6	40	18	36010435	2	34
9	29040030	10	48	50	29060152	7	43	2	36010450	19	63
4	29040035	10	48	22	29060180	7	43	3	36010460	19	63
9	29040050	10	48	10	29060230	6	40	1	36010490	19	63
4	29040052	10	48	11	29060231	6	40	1	36010510	1	32
32	29040161	6	40	23	29060281	6	40	19	36012024	2	34
33	29040162	6	40	2	29060291	6	40	52	36012080	2	34
31	29040170	6	40	33	29060910	7	43	1	36017060	19	63
41	29040202	11	49	36	29060920	7	43	16	36017220	2	34
8	29040220	11	49	12	29080110	13	53	51	36030034	6	40
9	29040230	11	49	13	29080111	13	53	51	36030042	6	40
2	29040253	1	32	14	29080112	13	53	1	36030100	20	64
3	29040270	10	48	17	29080120	13	53	2	36030101	20	64
3	29040280	10	48	18	29080121	13	53	3	36030110	20	64
2	29040300	9	47	32	29090100	15	56	38	36040002	6	40
2	29040300	10	48	16	29090150	15	56	54	36040010	6	40
1	29040370	9	47	16	33010042	1	32	47	36040011	6	40
1	29040370	10	48	15	33010043	1	32	55	36040012	6	40
7	29040380	9	47	20	33012155	2	34	42	36040013	6	40
7	29040400	10	48	44	33040047	6	40	45	36040014	6	40
7	29040410	10	48	57	33040047	6	40	58	36040014	6	40
46	29040920	11	49	40	33040070	6	40	13	36040015	11	49
5	29040921	11	49	50	33040080	6	40	41	36040016	6	40
1	29040930	11	49	4	33042101	1	32	46	36040017	6	40
2	29040940	11	49	5	33042102	1	32	60	36040020	6	40
3	29040950	11	49	15	33051136	2	34	29	36050004	1	32
53	29050363	15	56	8	33051204	14	55	41	36050005	2	34
52	29050380	15	56	35	33052401	2	34	3	36050010	14	55
12	29050511	5	39	31	33052501	15	56	49	36050012	1	33
12	29050512	5	39	21	33052512	12	51	17	36050013	12	51
19	29050514	5	39	88	33052512	15	56	4	36050030	15	56
9	29050516	4	37	74	33052513	15	56	25	36050540	12	51
68	29051024	15	56	1	33055700	15	56	1	36050621	5	39
40	29051025	2	34	64	33055710	15	56	1	36050622	5	39
28	29051026	15	56	72	33056125	15	56	90	36052305	15	56
29	29051027	15	56	15	33060051	6	40	91	36052306	15	56
38	29051028	15	56	19	33060052	6	40	50	36052307	2	34
85	29051135	15	56	36	33062014	8	45	49	36052308	2	34
21	29051140	15	56	29	33072060	8	45	97	36052343	15	59
60	29051160	15	56	30	33072062	8	45	2	36052901	4	37
6	29051204	14	55	34	33072080	11	49	31	36052902	4	37
7	29051205	14	55	18	33082301	4	37	3	36052903	4	37

VEHICLE

No.	Part No.	Table No.	Page No.	No.	Part No.	Table No.	Page No.	No.	Part No.	Table No.	Page No.
87	36054101	15	56	1	36087020	17	61	45	73070064	15	56
86	36054111	15	56	2	36087030	17	61	50	73070064	15	56
13	36057010	2	34	11	36090001	14	55	5	74900312	8	45
5	36057220	12	51	15	36090002	14	55	9	74900412	3	36
5	36057251	14	55	16	36090003	14	55	8	74900425	13	53
4	36057252	14	55	12	36090004	14	55	24	75350018	7	43
4	36057270	12	51	13	36090005	14	55	17	75350047	6	40
4	36057310	15	56	40	36090010	1	32	31	75400011	11	49
1	36057391	12	51	36	36090011	1	32	13	75480310	3	36
1	36057392	12	51	45	36090012	1	32	61	75503010	15	56
94	36058010	15	56	46	36090013	1	32	26	75503010	16	60
20	36060002	8	45	34	36090015	1	32	11	75522526	16	60
17	36060003	8	45	35	36090016	1	32	23	80008015	13	53
10	36060005	8	45	37	36090017	1	32	9	80008112	2	34
9	36060006	8	45	23	36090020	5	39	7	80357380	11	49
34	36060007	8	45	19	36092002	14	55	14	80357388	19	63
44	36060007	11	49	6	36092019	18	62	1	80357429	8	45
33	36060008	8	45	1	36150120	3	36	82	80357535	15	56
43	36060008	11	49	40	40049064	7	43	4	80367306	19	63
35	36060009	8	45	5	40052153	7	43	41	80367426	1	32
45	36060009	11	49	23	40130047	2	34	24	80377427	6	40
52	36060010	6	40	36	40181280	13	53	25	80377432	1	32
13	36060011	6	40	21	50050530	7	43	8	80377432	6	40
53	36060012	6	40	12	50059171	11	49	13	80457254	5	39
12	36060060	8	45	11	50081140	13	53	26	80457254	13	53
61	36060200	6	40	13	50186070	15	56	7	80457254	20	64
2	36060291	6	40	48	50271003	6	40	5	80457256	2	34
25	36070002	8	45	44	73060030	13	53	10	80457294	4	37
27	36070004	8	45	16	73060033	4	37	32	80457294	13	53
21	36070006	11	49	70	73060033	15	56	25	80457294	15	56
22	36070007	11	49	8	73060043	5	39	35	80457294	15	56
18	36070008	11	49	24	73060043	13	53	6	80457295	8	45
26	36070016	8	45	89	73060043	15	56	78	80457295	15	56
28	36070018	8	45	6	73060053	2	34	29	80457296	2	34
3	36070021	16	60	51	73060053	2	34	29	80457296	4	37
5	36070022	16	60	27	73060053	13	53	39	80457296	15	56
1	36070023	16	60	26	73060064	2	34	46	80457296	15	56
2	36070024	16	60	27	73060064	2	34	48	80457296	15	56
4	36070025	16	60	6	73060064	4	37	5	80457298	4	37
8	36070026	16	60	12	73060064	4	37	4	80457374	13	53
9	36070027	16	60	21	73060064	4	37	22	80457374	16	60
19	36070028	16	60	8	73060064	8	45	7	80457376	15	56
18	36070030	16	60	33	73060064	13	53	59	80457376	15	56
20	36070040	16	60	38	73060064	13	53	10	80457378	1	32
6	36070050	16	60	18	73060064	15	56	6	80457378	15	56
12	36070080	16	60	26	73060064	15	56	43	80457378	15	56
17	36070090	16	60	40	73060064	15	56	10	80457378	18	62
15	36070101	16	60	79	73060064	15	56	37	80457382	6	40
16	36070102	16	60	9	73060064	19	63	8	80457383	15	56
13	36070103	16	60	47	73060084	1	32	8	80457422	1	32
14	36070104	16	60	5	73060084	13	53	73	80477292	15	56
59	36070151	6	42	41	73060084	15	56	37	80477295	13	53
25	36070200	16	60	55	73060084	15	56	31	80477296	1	32
7	36070220	16	60	83	73060084	15	56	25	80477296	2	34
31	36072005	8	45	50	73060084	1	33	7	80477298	19	63
24	36072015	8	45	24	73060084	16	60	30	80477374	1	32
22	36080102	12	51	11	73060084	18	62	22	80477378	1	32
20	36080130	12	51	20	73060110	1	32	21	80477380	16	60
96	36080141	15	59	26	73060110	1	32	15	80477416	19	63
95	36080142	15	59	2	73060110	5	39	39	80487375	6	40
38	36080171	2	34	25	73060110	6	40	15	80521205	13	53
4	36080202	17	61	2	73060110	8	45	13	80531204	12	51
3	36082050	17	61	16	73060110	11	49	20	80531205	13	53
7	36082720	13	53	30	73070064	4	37	42	80531205	13	53

VEHICLE

No.	Part No.	Table No.	Page No.	No.	Part No.	Table No.	Page No.	No.	Part No.	Table No.	Page No.
76	80531205	15	56	12	81020084	1	32				
17	80667375	7	43	36	81020084	6	40				
7	80757007	5	39	9	81020084	7	43				
8	80757009	2	34	10	81020084	11	49				
11	80757009	2	34	33	81020084	11	49				
14	80757009	5	39	6	81020084	13	53				
29	80757009	13	53	10	81020084	15	56				
15	80757009	15	56	42	81020084	15	56				
6	80757009	20	64	51	81020084	1	33				
8	80757010	4	37	54	81020084	15	56				
20	80757010	4	37	57	81020084	15	56				
35	80757010	13	53	23	81020084	16	60				
40	80757010	13	53	12	81020084	18	62				
81	80757010	15	56	13	81020084	19	63				
11	80757012	1	32	22	81020095	6	40				
11	80757012	11	49	35	81020095	6	40				
52	80757012	1	33	15	81020095	7	43				
32	80757012	11	49	43	81020105	1	32				
20	80757012	15	56	3	81020105	5	39				
56	80757012	15	56	29	81020105	6	40				
28	80757014	1	32	16	81020105	19	63				
4	80757014	5	39	7	81050006	4	37				
21	80757014	6	40	18	81050010	1	32				
34	80757014	6	40	27	81050010	1	32				
46	80757014	7	43	16	87761221	13	53				
19	80777014	1	32								
11	80920040	3	36								
16	80920060	8	45								
27	80920060	15	56								
11	80920080	15	56								
7	80920100	1	32								
9	80920100	6	40								
26	80920100	6	40								
3	80920100	8	45								
32	80930060	1	32								
34	80930060	15	56								
5	80930060	19	63								
10	80930060	19	63								
23	80930080	1	32								
84	80930080	15	56								
53	80930080	1	33								
12	80930080	19	63								
42	80930100	1	32								
17	80930100	19	63								
30	80970100	6	40								
23	80970100	7	43								
10	81020041	3	36								
7	81020053	2	34								
10	81020053	2	34								
15	81020053	5	39								
28	81020053	13	53								
14	81020053	15	56								
28	81020064	2	34								
11	81020064	4	37								
7	81020064	8	45								
34	81020064	13	53								
39	81020064	13	53								
19	81020064	15	56								
36	81020064	15	56								
44	81020064	15	56								
49	81020064	15	56								
75	81020064	15	56								
80	81020064	15	56								
8	81020064	19	63								