

BAJAJ
CT 100

BAJAJ
Distinctly Ahead

BAJAJ
CT 100

Bajaj Auto Limited
Akurdi Pune 411 035 India
Tel +91 20 27472851
Fax +91 20 27407395
www.bajajauto.com

Spare Parts Catalogue

(EXPORT)



We have pleasure in presenting the Spare Parts Catalogue for 'CT100' Motorcycle. This catalogue has been specially designed to assist you in selecting the correct parts for procurement to maintain 100% availability.

The Bajaj spares are subjected to the stringent quality control standards to ensure longer life of the vehicle. It is therefore necessary that only the Genuine Bajaj Spares are used.

In a continual effort to improve Performance and Efficiency of the vehicles, Specifications, Diagrams, Illustrations and Part Numbers can change without notice. Consequently, the description in this Spare Parts Catalogue cannot therefore be final and binding on us.

The modifications / alterations which are carried out after the issue of this catalogue, will be conveyed to you through our Service Circulars. You are requested to make necessary corrections in the Parts Catalogue as per the circulars so as to keep your catalogue up-to-date. This will ensure the appropriate and speedy delivery of the Spare Parts as the order placed will bear the latest part numbers.

In case, if you need any technical assistance contact the concerned Regional Team or write to us on the following address :

Bajaj Auto Limited
International Marketing
Akurdi, Pune 411 035 India
Phone : 020-27472851
Fax : 020-27407395
e-mail : exports@bajajauto.co.in

All information contained in this manual is based on the latest product information at the time of publication. Bajaj Auto Limited accepts no liability for any inaccuracies or omissions in this publication, although every possible care has been taken to make it as complete and accurate as possible. All procedures and specifications subject to change without prior notice. The right is reserved to make such changes at any time without prior notice and without incurring an obligation to make such changes to product manufactured previously. Contact your authorized Bajaj Dealer for the latest information on product improvements incorporated after this manual was issued.

DOC. NO.: 71110596

REV. 02, NOV. 09

Instructions for using the Catalogue



1. How to Read the Catalogue : Open the catalogue and from the pictorial index locate the group in which the part you want to find is present. Turn over to the concerned page number (as given by pictorial index). Now find out the figure of the part you wish to order. Write down the part number against that particular figure number from the text.

In case, if you have the part number and you need the other details, the part index can be used. The part index (at the end of the catalogue) will give you the figure and page number of the part you wish to order.

2. How to Order Spare Parts : The part number and the description of the part required should be invariably mentioned in the order as per the catalogue text.

The latest part number as conveyed through our service circulars should only appear on the order. In case of ordering painted components, colour shade of the components should be mentioned.

The quantity shown against the part number is the quantity per vehicle for that group so that particular quantity should be multiplied by the number of sets required.

3. Part Number System: We have used 8 digit system for part numbers. The model or hardware item is indicated by first two digits or alphanumeric, the next two or four digits indicate main group and the last four or two digits indicate serial number in main group or serial number or subgroup of fastener respectively. Thus the part numbers will be indicated by 2-2-4 or 2-4-2 digit system. Understanding this system will enable you to identify the spare parts easily.

4. Abbreviations : The following abbreviations are used in this catalogue.

assly.	Assembly	V	Volts
N.I.	Not illustrated	W	Watts
C'case	Crankcase	accl.	Accelerator
Cyl	Cylinder	Comp.	Complete
o/s.	Over size	Fr	Front
Std.	Standard	L	Length
A/t.	Alternate	Rr	Rear
R.H.	Right hand	Hex.	Hexagonal
L.H.	Left hand	AR	As required

Index



No.	Description	Page No.	No.	Description	Page No.
1	Cylinder head	1	35	Fittings-Petrol tank & Side cover	49
2	Valve	2	36	Meter assly	50
3	Camshaft & Tensioner	3	37	Control Cables	51
4	Cylinder & piston	4	38	Head Lamp Assly. (For CT100 RHL)	52&53
5	Crank shaft	5	39	Head Lamp Assly./Fairing (For CT100 THL)	54&55
6	Transmission	6 & 7	40	Turn Signal Lamp	56
7	Change drum / Shift fork	8	41	Front & Rear Number Plate	57
8	Gear change mechanism	9	42	Tail Lamp Assly.	58
9	Crankcase RH / Engine assly.	10	43	Electrical Equipment	59
10	Crankcase LH	11	44	Tool kit	60
11	Pipe oil	12	45	Seat Assly.	61
12	Cover Generator & Cover Chain	13	46	Accessories (Leg Guard, Saree Guard & Mirrors)	62
13	Clutch Cover	14		Kits List	63to66
14	Clutch	15		Amendment Sheet (Parts Added)	67
15	Kick starter Mechanism	16		Amendment Sheet (Parts Deleted)	68
16	Carburettor	17		Parts Index	69
17	Air Filter Assly. & Battery Box	18			
18	Muffler	19			
19	Oil pump	20			
20	Magneto assly	21			
21	Frame	22&23			
22	Swing arm / Rear shock absorber	24&25			
23	Stand, Step & Stay LH / RH	26			
24	Fender (Front & Rear)	27			
25	Wheel Rim/Spokes/Tyre/Tube	28			
26	Front Hub	29&30			
27	Rear Hub	31&32			
28	Brake pedal	33			
29	Handle bar	34to36			
30	Front Fork	37&38			
31	Painted Parts (For CT100 RHL)	39&40			
32	Painted Parts (For CT100 THL)	41to45			
33	Fuel Tank Cap, Tap Assly. & Fuel Gauge	46&47			
34	Chain case	48			

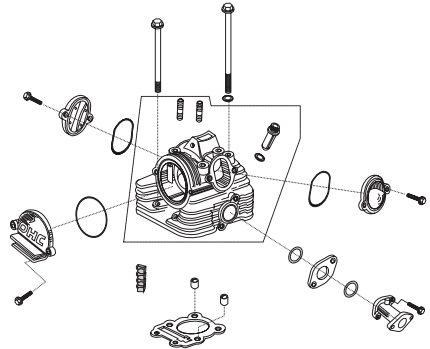
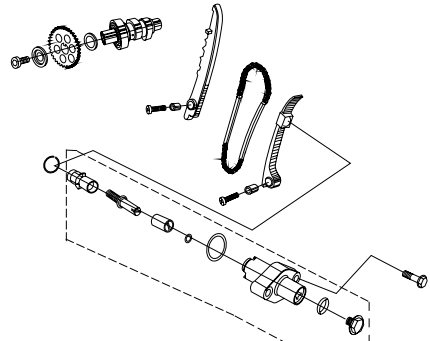
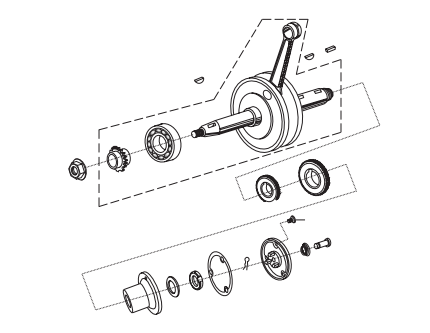
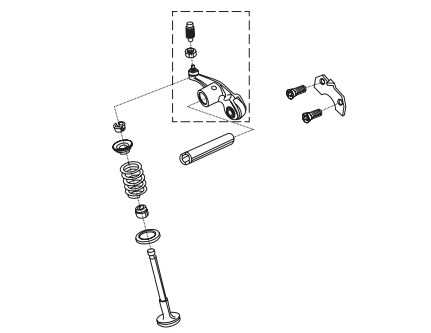
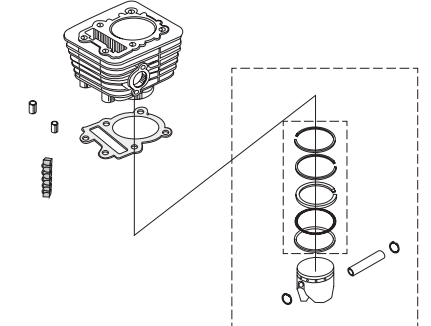
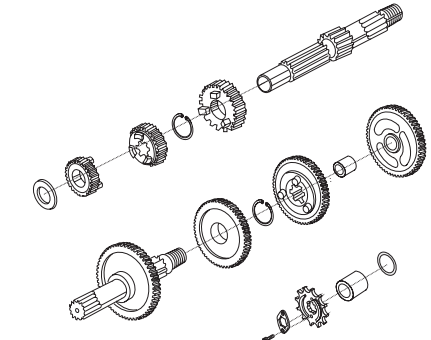
PLATE NO. : 1 CYLINDER HEAD	PAGE NO.: 1
	
PLATE NO. : 3 CAMSHAFT / TENSIONER	PAGE NO.: 3
	
PLATE NO. : 5 CARNKSHAFT	PAGE NO.: 5
	

PLATE NO. : 2 VALVE	PAGE NO.: 2
	
PLATE NO. : 4 CYLINDER AND PISTON	PAGE NO.: 4
	
PLATE NO. : 6 TRANSMISSION	PAGE NO.: 6 & 7
	

Pictorial Index

BAJAJ
CT 100

PLATE NO. : 7
CHANGE DRUM / SHIFT FORK

PAGE NO.:
8

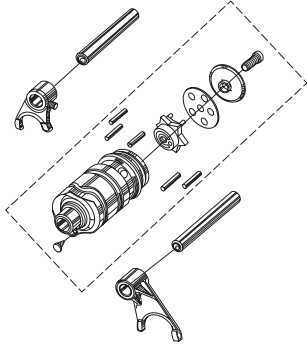


PLATE NO. : 9
CRANKCASE RH / ENGINE ASSEMBLY

PAGE NO.:
10

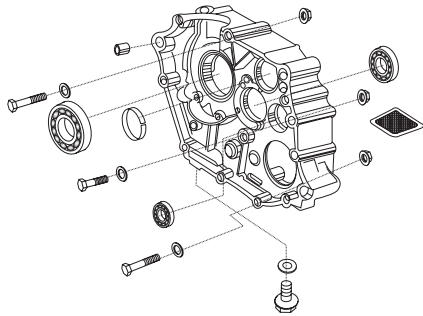


PLATE NO. : 11
PIPE OIL

PAGE NO.:
12

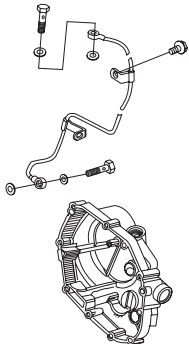


PLATE NO. : 8
GEAR CHANGE MECHANISM

PAGE NO.:
9

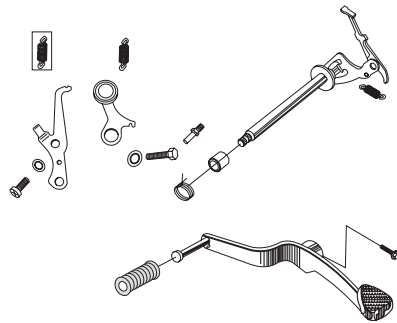


PLATE NO. : 10
CRANKCASE LH

PAGE NO.:
11

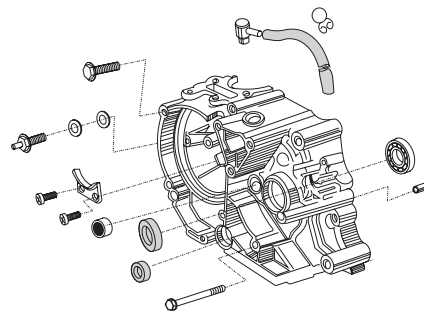
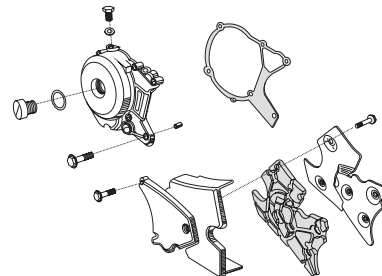


PLATE NO. : 12
COVER GENERATOR & COVER CHAIN

PAGE NO.:
13



Pictorial Index

BAJAJ
CT 100

PLATE NO. : 13
CLUTCH COVER

PAGE NO.:
14

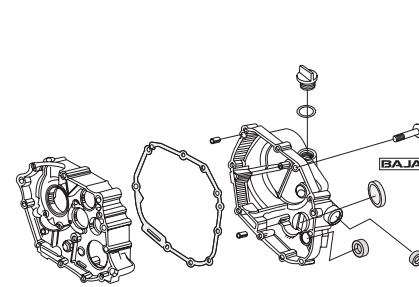


PLATE NO. : 15
KICK STARTER MECHANISM

PAGE NO.:
16

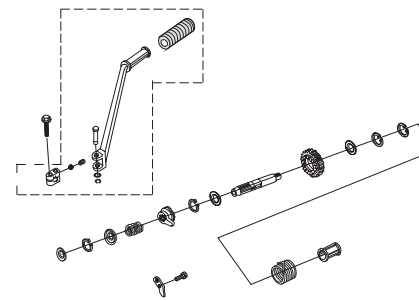


PLATE NO. : 17
AIR FILTER ASSEMBLY & BATTERY BOX

PAGE NO.:
18

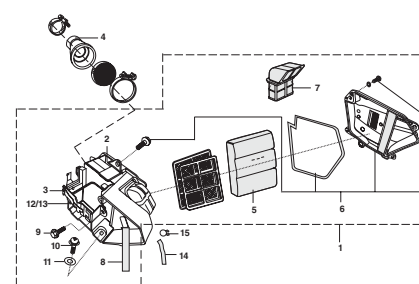


PLATE NO. : 14
CLUTCH

PAGE NO.:
15

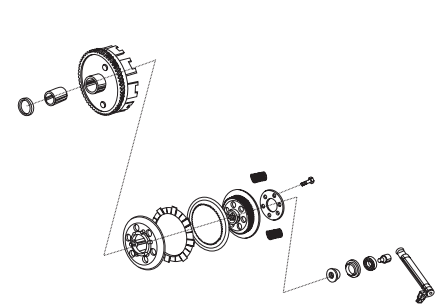


PLATE NO. : 16
CARBURETTOR

PAGE NO.:
17

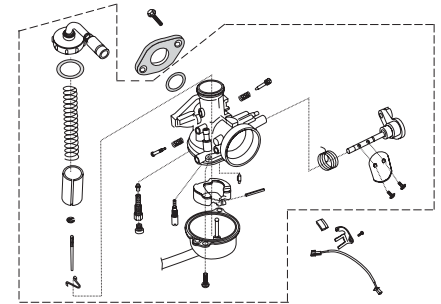
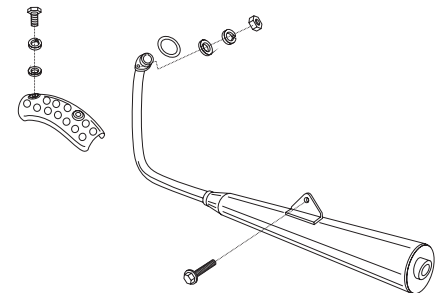


PLATE NO. : 18
MUFFLER

PAGE NO.:
19



Pictorial Index

BAJAJ
CT 100

PLATE NO. : 19
OIL PUMP

PAGE NO.:
20

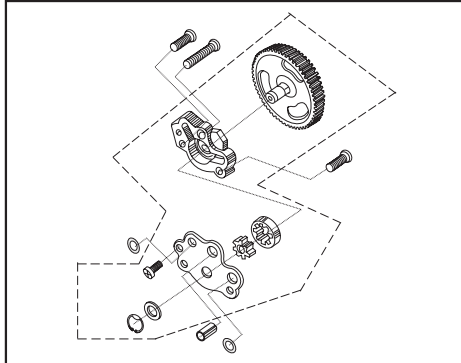


PLATE NO. : 21
FAME

PAGE NO.:
22 & 23

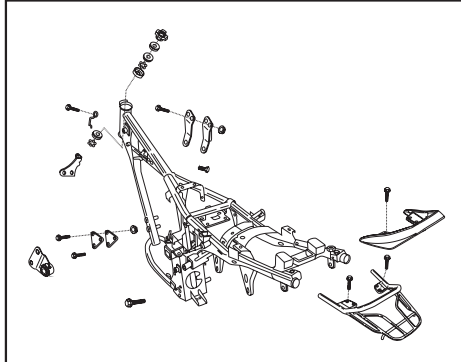


PLATE NO. : 23
STAND ,STEP AND STAY LH/RH

PAGE NO.:
26

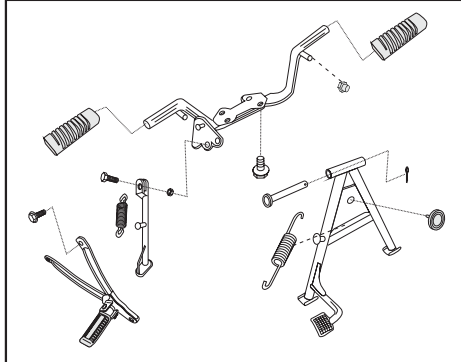


PLATE NO. : 20
MAGNETO ASSEMBLY

PAGE NO.:
21

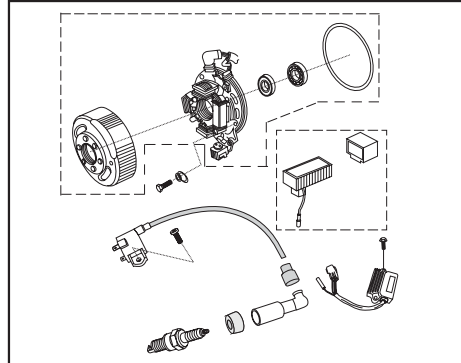


PLATE NO. : 22
SWING ARM / REAR SHOCK ABSORBER

PAGE NO.:
24 & 25

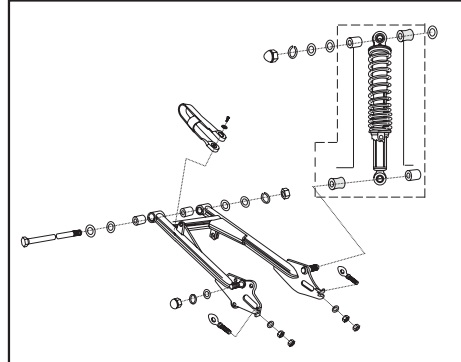
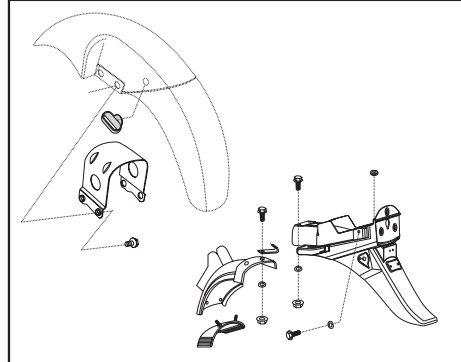


PLATE NO. : 24
FENDER - FRONT & REAR

PAGE NO.:
27



Pictorial Index

BAJAJ
CT 100

PLATE NO. : 25
WHEEL RIM / SPOKES / TYRE / TUBE

PAGE NO.:
28

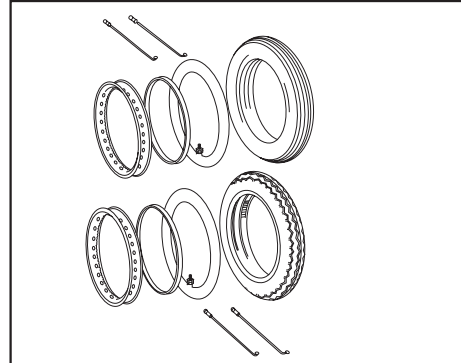


PLATE NO. : 27
REAR HUB

PAGE NO.:
31 & 35

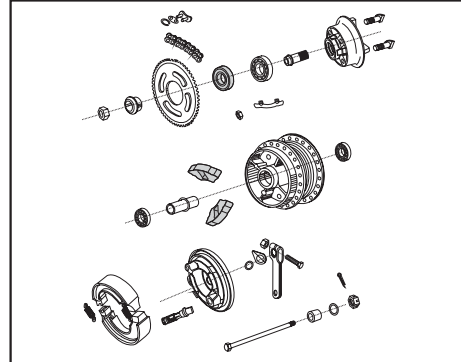


PLATE NO. : 29,30
FRONT HUB (ALLOY)

PAGE NO.:
37,39

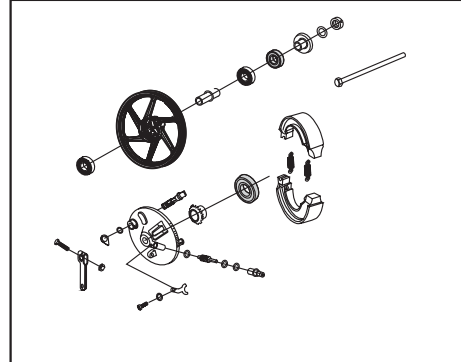


PLATE NO. : 26
FRONT HUB

PAGE NO.:
29 & 30

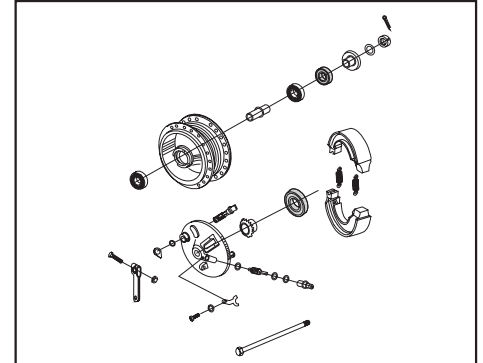


PLATE NO. : 28
WHEEL RIM / ALLOY/ TYRE / TUBE

PAGE NO.:
36

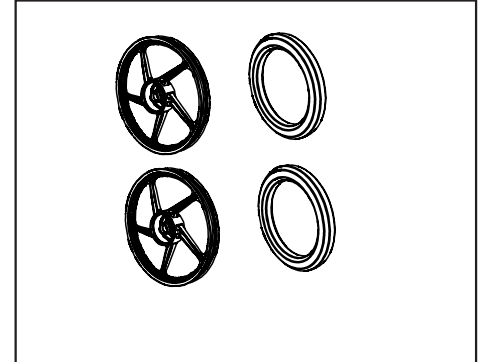
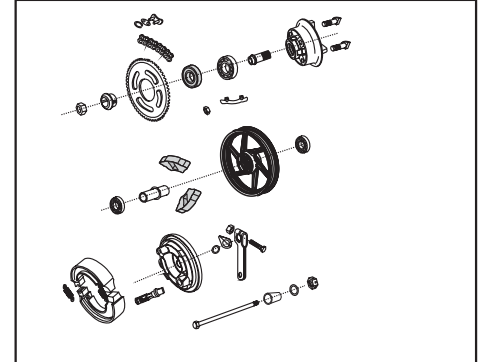


PLATE NO. : 31,32
REAR HUB (ALLOY)

PAGE NO.:
39,40



Pictorial Index

BAJAJ
CT 100

PLATE NO. : 33,34
BRAKE PADEL

PAGE NO.:
41,42

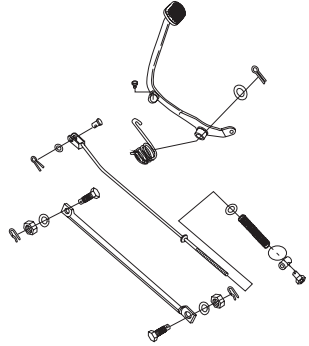


PLATE NO. : 38,39
FRONT FORK

PAGE NO.:
46,47

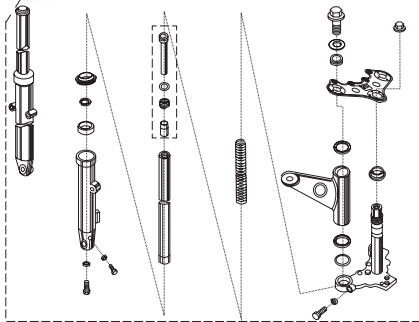


PLATE NO. : 42,44,48,50
PAINTED PARTS (FOR Ct100 THL)

PAGE NO.
50,52,54,56,58

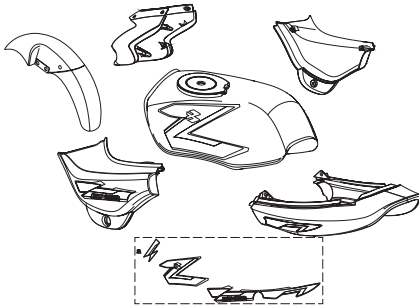


PLATE NO. : 35,36,37
HANDLE BAR

PAGE NO.:
43,44,45

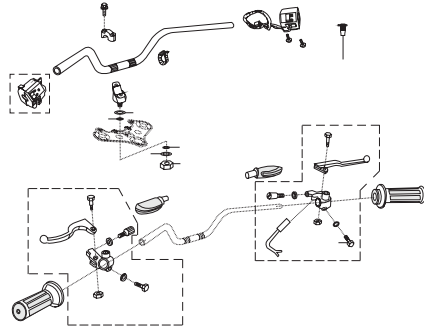


PLATE NO. : 40,41,43,47,49
PAINTED PARTS (FOR Ct100 RHL)

PAGE NO.:
48,49,51,53,55,57

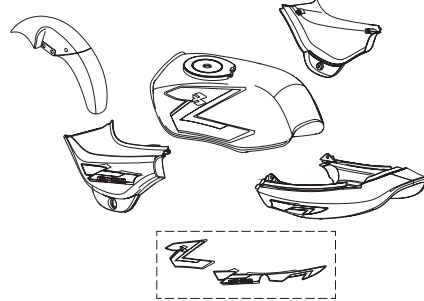
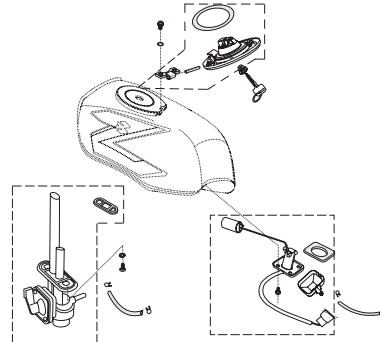


PLATE NO. : 51,52
FUEL TANK CAP/TAP ASSLY. &
FUEL GAUGE

PAGE NO.
59,60



Pictorial Index

BAJAJ
CT 100

PLATE NO. : 53
CHAIN CASE

PAGE NO.:
61

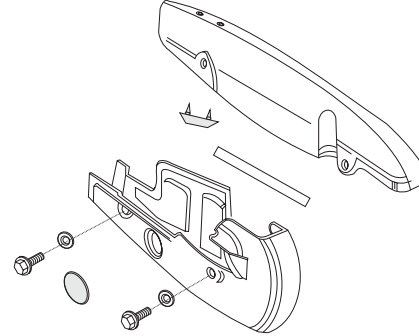


PLATE NO. : 55
METER ASSEMBLY

PAGE NO.:
63

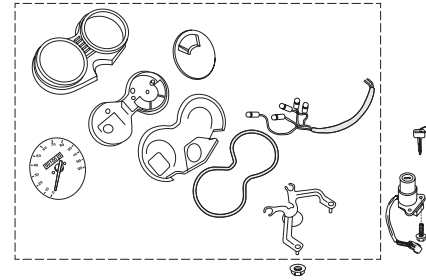


PLATE NO. : 57,58
HEAD LAMP ASSLY. (FOR CT 100 RHL)

PAGE NO.:
65,66

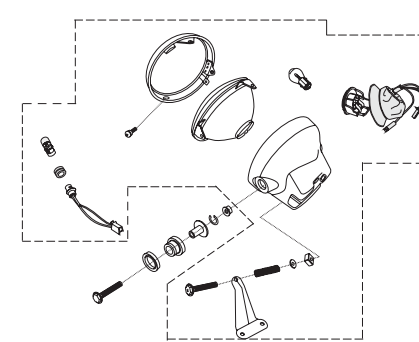


PLATE NO. : 54
FITTINGS-PETROL TANK & SIDE COVER

PAGE NO.:
62

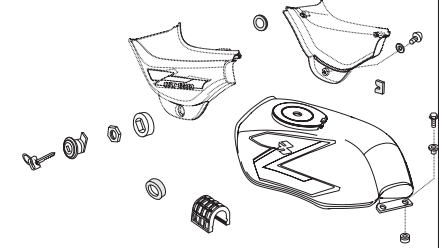


PLATE NO. : 56
CONTROL CABLES

PAGE NO.:
64

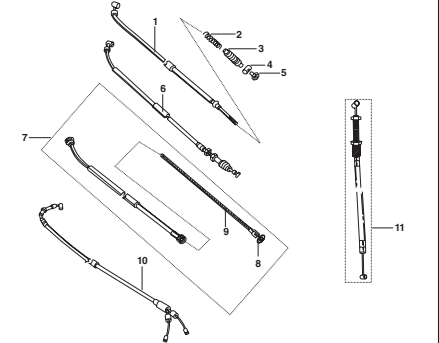


PLATE NO. : 59,60
H.L. ASSLY./FAIRING (FOR CT 100THL)

PAGE NO.:
67,68

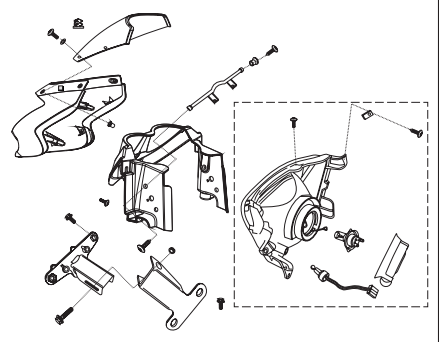


PLATE NO. : 61 TURN SIGNAL LAMP	PAGE NO.: 69
------------------------------------	-----------------

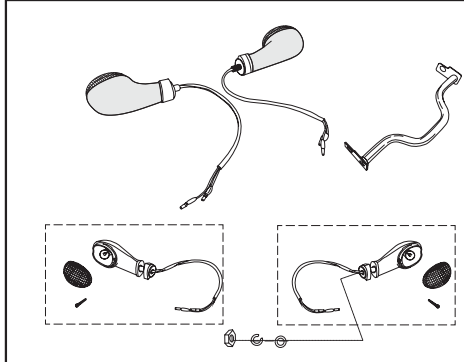


PLATE NO. : 63 TAIL LAMP ASSEMBLY	PAGE NO.: 71
--------------------------------------	-----------------

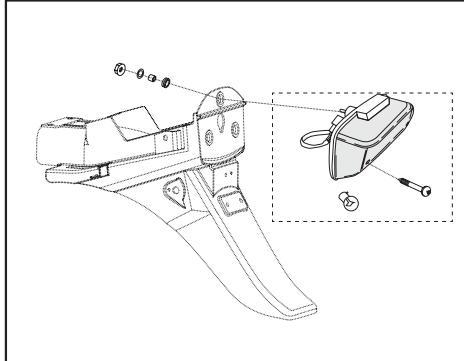


PLATE NO. : 65 TOOL KIT	PAGE NO.: 73
----------------------------	-----------------

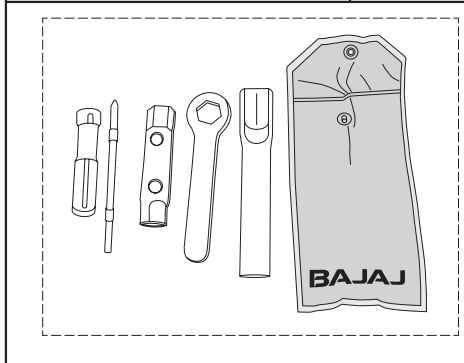


PLATE NO. : 62 FRONT AND REAR NUMBER PLATE	PAGE NO.: 70
---	-----------------

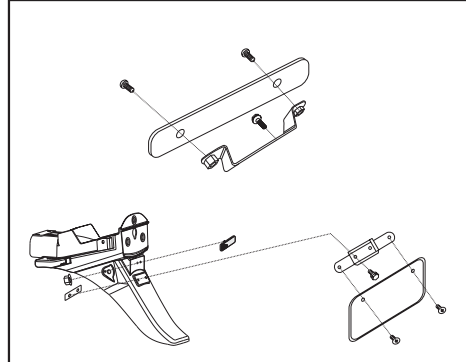


PLATE NO. : 64 ELECTRICAL EQUIPMENT	PAGE NO.: 72
--	-----------------

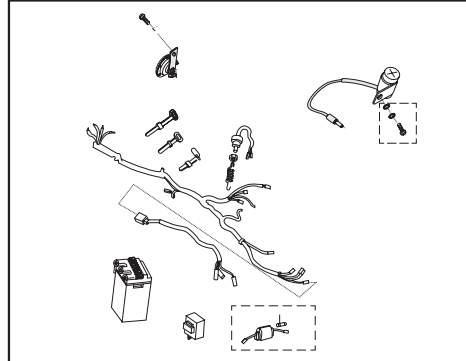


PLATE NO. : 66 SEAT ASSEMBLY	PAGE NO.: 74
---------------------------------	-----------------

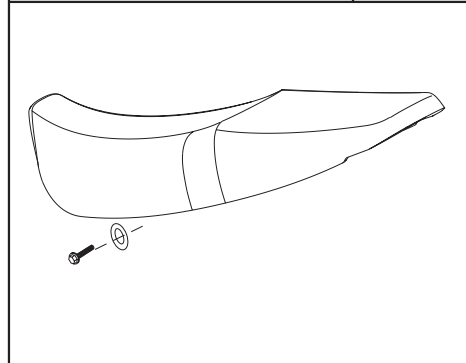
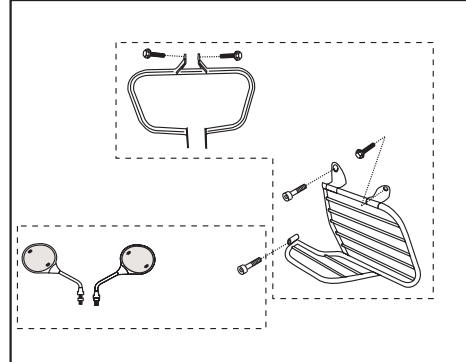


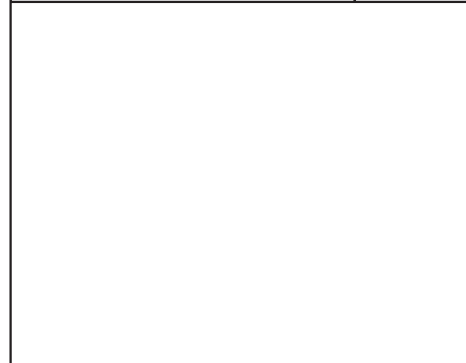
PLATE NO. : 67 ACCESSORIES(LEG GARD,S AREE GUARD & MIRRORS)	PAGE NO.: 75
--	-----------------



--	--



--	--



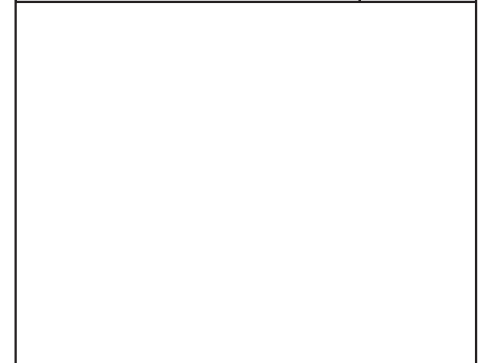
--	--

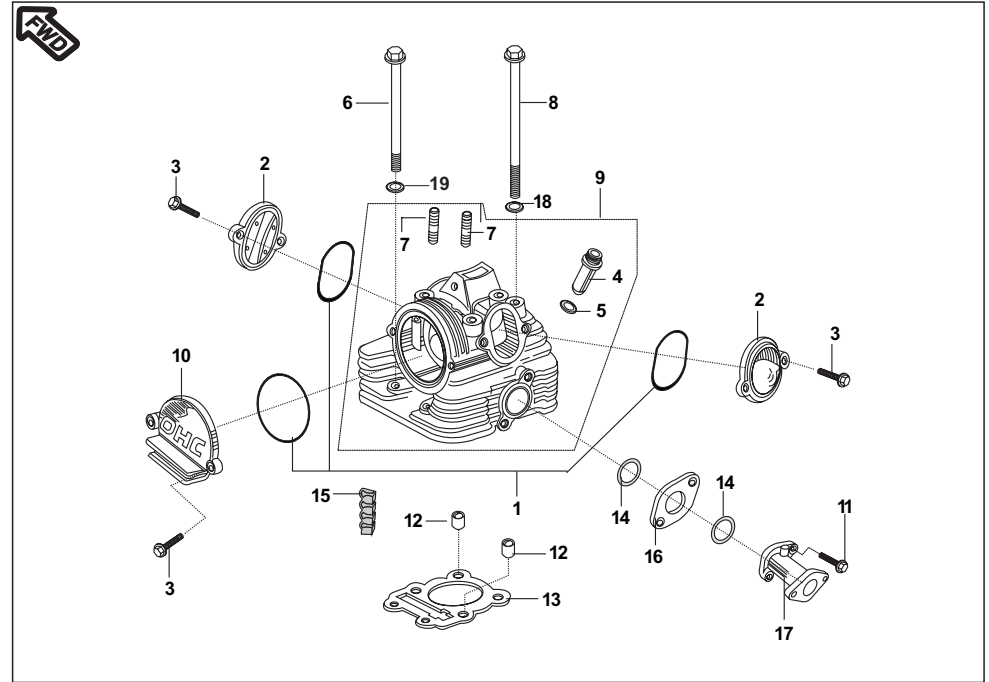


--	--

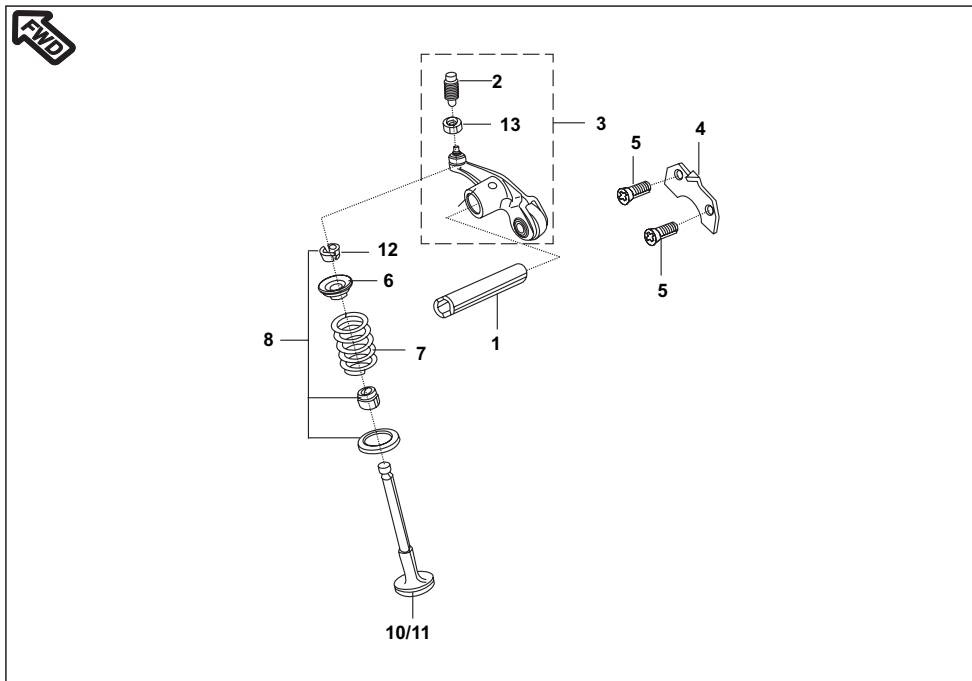


--	--

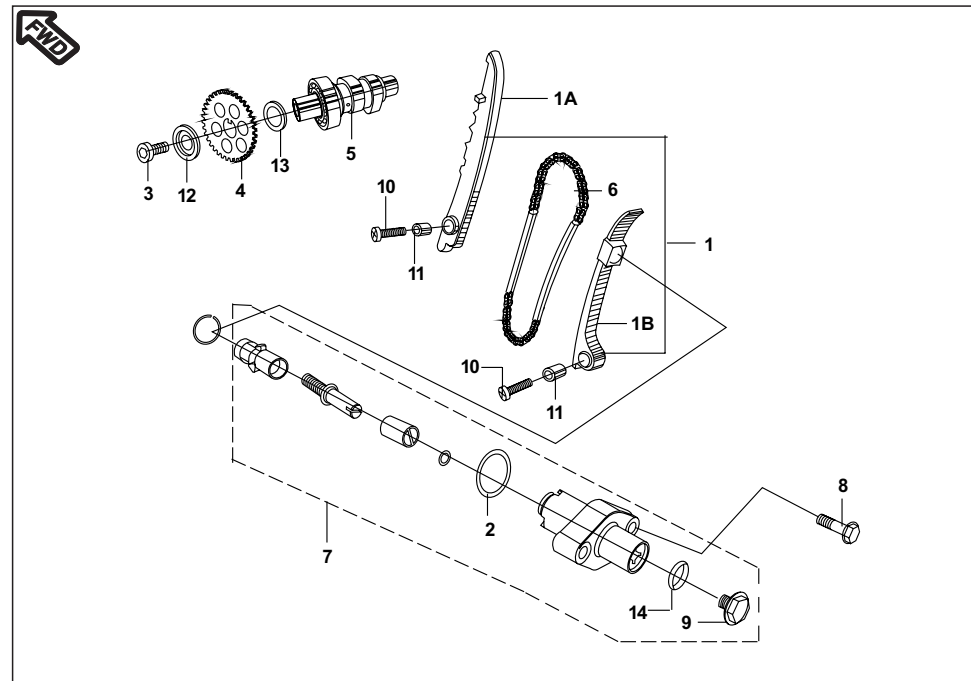




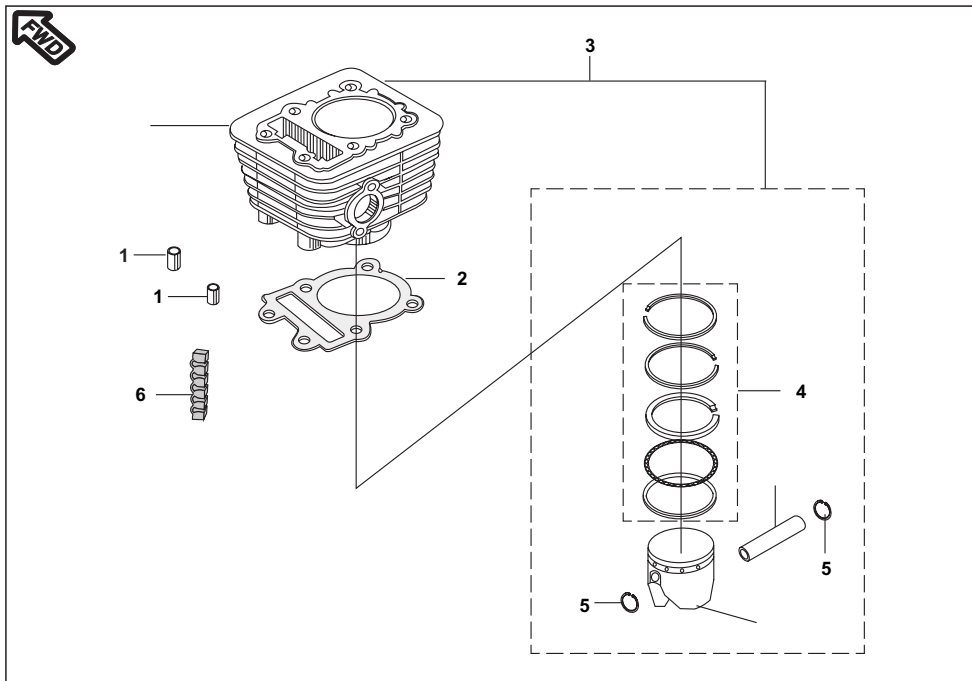
No.	Part No.	Description	Qty/Veh.		Remarks
			CT100 RHL	CT100 THL	
1	36 DU10 01	O Ring Kit	1	1	Ref. Page No.63 10 MM Rocker shaft. 8 MM Rocker shaft.
2	31 1010 06	Cap	2	2	
3	39 1673 04	Flanged bolt	6	6	
4	31 1010 08	Guide Valve	2	2	
5	39 1021 21	O Ring	2	2	
6	DD 1013 47	Bolt	2	2	
7	DD 1013 50	Stud	2	2	
8	DD 1013 49	Bolt	4	4	
9	DU 1010 69	Head Comp. Cylinder	1	1	
	DU 1012 08	Head Comp. Cylinder	1	1	
10	52 DD02 53	Cover (OHC)	1	1	
11	DU 1012 28	Bolt	2	2	
12	39 1000 06	Hollow Dowel Pin	2	2	
13	DD 1013 43	Gasket head	1	1	
14	39 1017 21	O Ring	2	2	
15	DD 1014 81	Damper Cylinder Head	4	4	
16	31 1011 75	Insulator (Head Side)	1	1	
17	DU 1010 58	Pipe Intake	1	1	
18	39 1612 11	Plain washer	4	4	
19	59 1100 04	Washer	2	2	



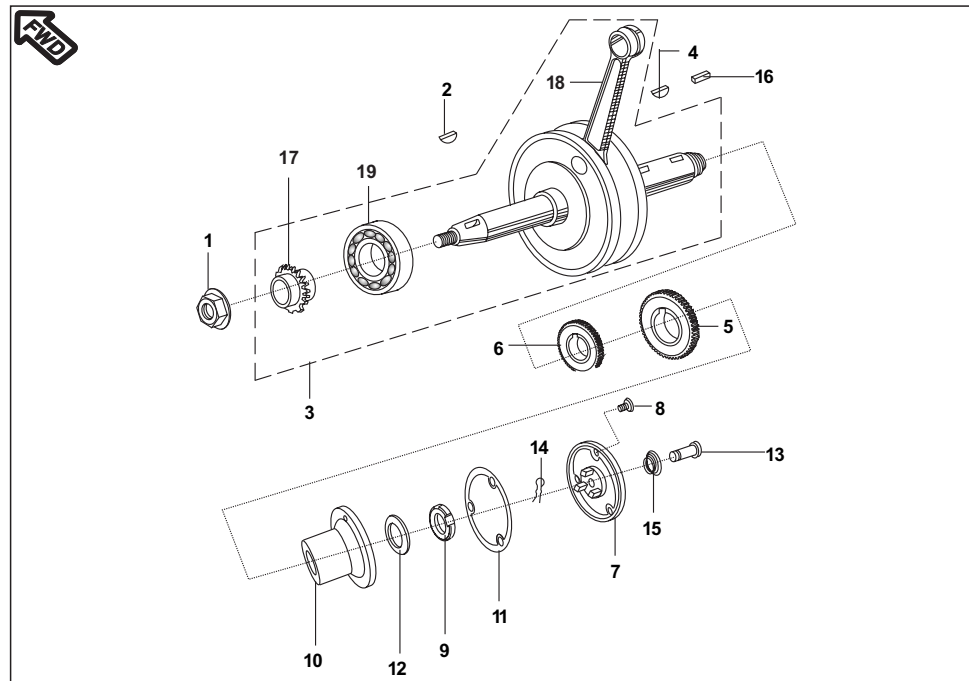
No.	Part No.	Description	Qty/Veh.		Remarks
			CT100 RHL	CT100 THL	
1	DU 1010 65	Shaft Rocker	2	2	10 MM
	DU 1011 91	Shaft Rocker	2	2	8 MM
2	DF 1010 55	Screw	2	2	
3	DU 1010 60	Rocker arm assembly	2	2	
	DU 1011 90	Rocker arm assembly	2	2	With needle bearing
4	31 1011 04	Stopper	1	1	N.S
5	39 0702 01	Screw Pan Cros	2	2	
6	31 1010 18	Retainer Valve Spring	2	2	
7	DD 1014 40	Spring Stiffer	2	2	
8	36 3110 08	Collet Seal Oil Kit	1	1	Ref. Page No.63
9	36 3110 28	Valve Kit	1	1	Ref. Page No.63
10	DD 1011 34	Intake valve	1	1	
11	DD 1011 35	Exhaust valve	1	1	
12	31 1010 19	Collet	4	4	
13	39 0973 15	Nut	1	1	



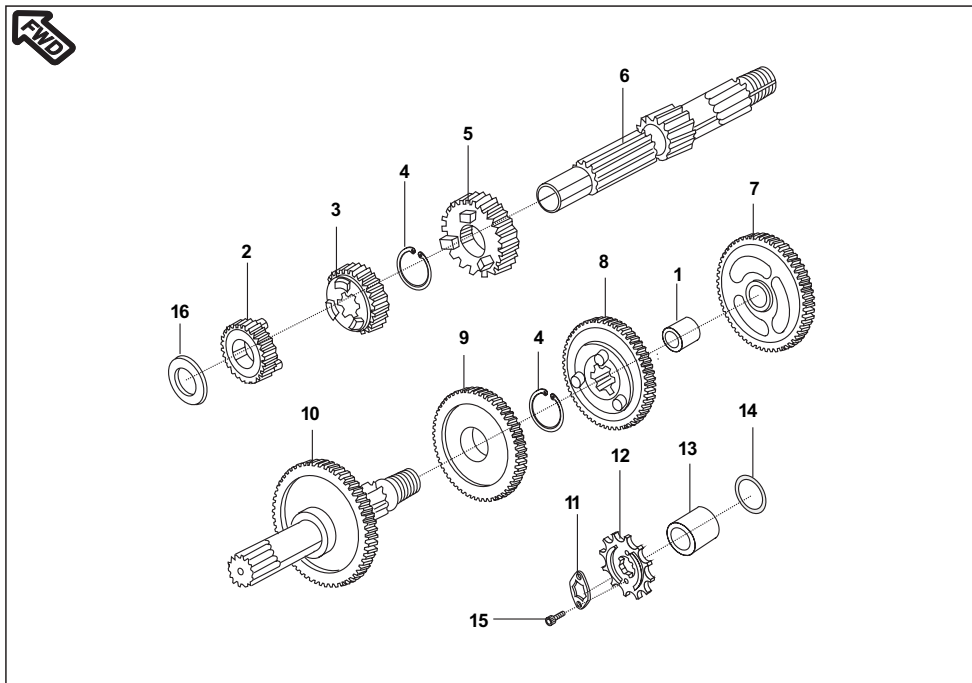
No.	Part No.	Description	Qty/Veh.		Remarks
			CT100 RHL	CT100 THL	
1	36 3110 06	Chain Guide Kit	1	1	Ref. Page No. 63
2	39 2040 21	O Ring	1	1	
3	DU 1012 25	Hex. Soc.HD Screw	1	1	
4	DU 1010 56	Sprocket (28 T)	1	1	
5	DZ 1010 75	Camshaft assly.	1	1	
6	31 1010 33	Chain	1	1	
7	DD 1014 07	Tensioner Assly./O ring	1	1	Advik make
8	LA D000 26	Bolt Flanged Small	2	2	
9	DD 1010 62	Bolt	1	1	
10	39 0748 01	Screw Pan Cross	2	2	
11	39 0999 06	Hollow Dowel Pin	2	2	
12	DU 1010 66	Washer Spl. Cam Shaft	1	1	
13	DU 1010 67	Collar Cam	1	1	
14	39 1790 21	O Ring	1	1	



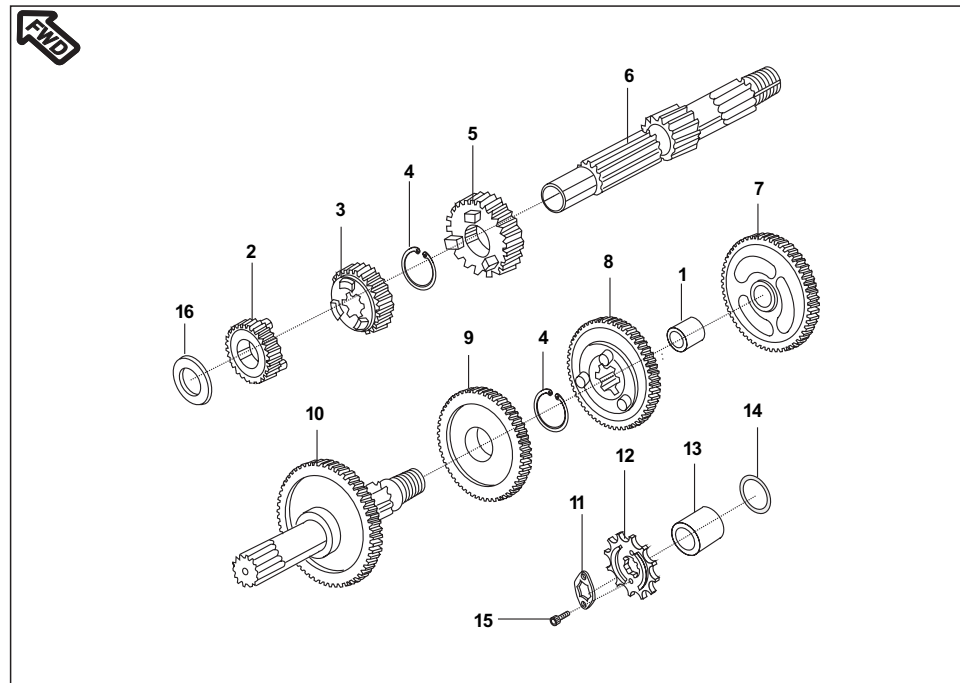
No.	Part No.	Description	Qty/Veh.		Remarks
			CT100 RHL	CT100 THL	
1	39 1000 06	Hollow dowel Pin	2	2	
2	DD 1010 07	Gasket - Cyl. Block	1	1	
3	DU 1012 18	Cylinder Block Piston assly	1	1	
4	DD 1010 14	Piston ring set std.	1	1	For DU101094
	36 DD40 01	Piston ring set std.	1	1	For DU101218
5	39 0985 17	Wire Clip	2	2	
6	DH 1014 30	Damper	3	3	
7	DX 1010 09	Cylinder Block	1	1	
8	DU 1012 07	Piston	1	1	
9	DD 1010 13	Piston Pin	1	1	



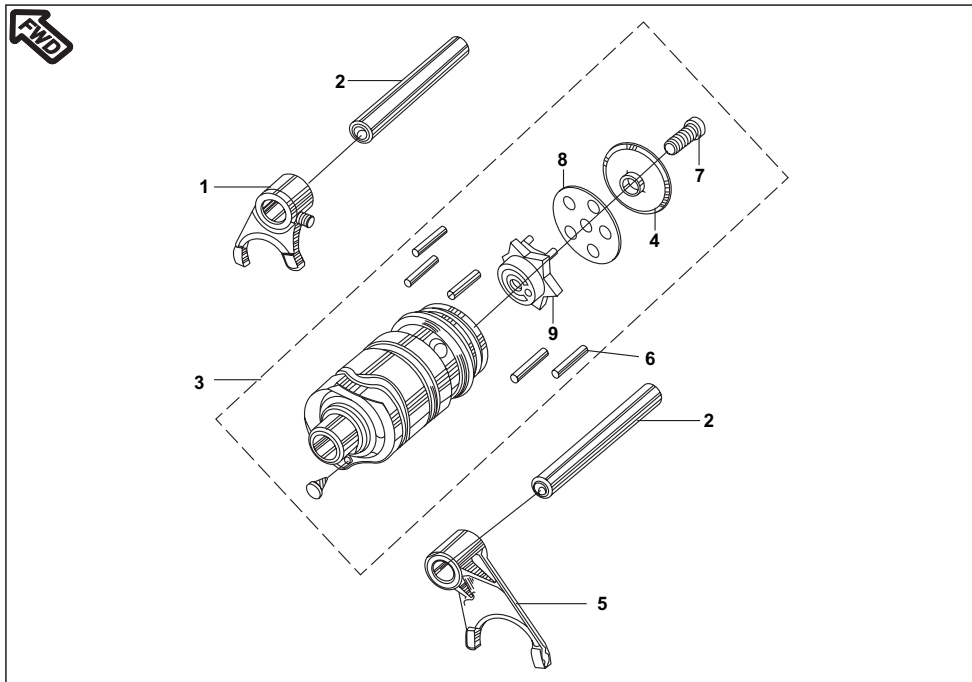
No.	Part No.	Description	Qty/Veh.		Remarks
			CT100 RHL	CT100 THL	
1	39 1055 15	Nut	1	1	
2	01 1006 10	Woodruff Key	1	1	
3	DU 1010 05	Crankshaft Assly.	1	1	
4	31 1011 73	Key Woodruff	2	2	
5	DX 1010 47	Gear Primary, Helical (23 T)	1	1	
6	FA 1013 34	Gear	1	1	
7	DU 1010 41	Cover	1	1	
8	39 1699 01	Countersunk Screw	3	3	
9	DH 1011 95	Nut	1	1	
10	DX 1010 53	Body Centrifugal Oil Filter (C.I.)	1	1	
11	DU 1010 10	Gasket Central Oil Filter	1	1	
12	39 2200 11	Washer	1	1	
13	DH 1010 66	Joint Oil Delivery	1	1	
14	39 2199 08	Pin Snap	1	1	
15	DH 1010 67	Spring Oil Delivery	1	1	
16	28 1011 07	Key Woodruff	1	1	
17	31 1010 35	Sprocket Crankshaft LH	1	1	N.S
18	36 DU40 26	Rod Connecting	1	1	
19	39 1864 20	Bearing ball	1	1	
20	DD 1013 19	Crank pin	1	1	N.I.



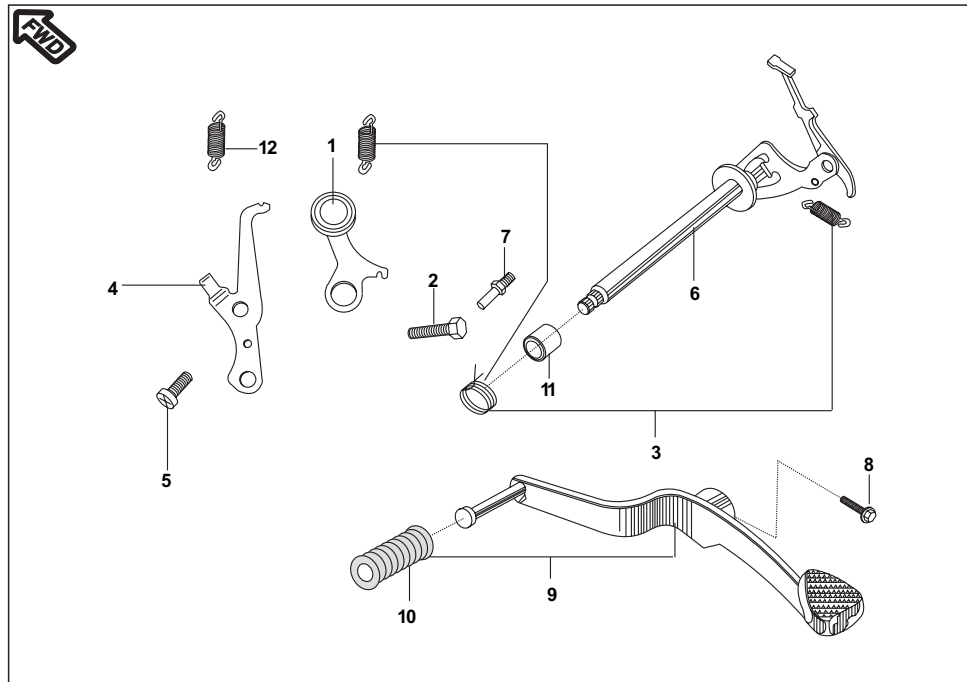
No.	Part No.	Description	Qty/Veh.		Remarks
			CT100 RHL	CT100 THL	
1	DD 1013 09	Bushing Floating	1	1	
2	DX 1010 45	Gear 2nd Input	1	1	
	DU 1012 79	Gear 2nd Input	1	1	Ref. Cir. IB-181
3	DX 1010 48	Gear Transmission Spur(3rd)	1	1	
4	39 0987 17	Ring Snap (16 mm)	2	2	
5	DX 1010 49	Gear 4th Input	1	1	
6	DU 1012 78	Shaft Transmission Input	1	1	Ref. Cir. IB-181
7	DU 1010 80	Gear 1st Output	1	1	
8	DX 1010 51	Gear 4th Output	1	1	
9	DX 1010 50	Gear Transmission Spur(3rd)	1	1	
10	DX 1010 46	Shaft Transmission Output	1	1	



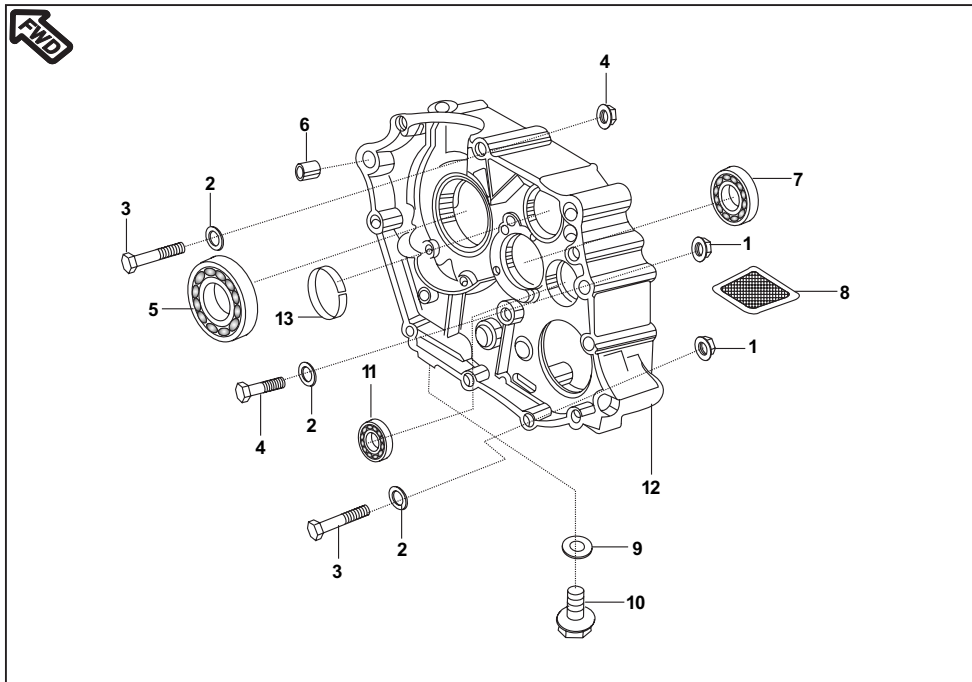
No.	Part No.	Description	Qty/Veh.		Remarks
			CT100 RHL	CT100 THL	
11	DU 1012 13	Plate For Sprocket Output	1	1	
12	DX 1010 52	Sprocket Output	1	1	
13	DP 1011 55	Collar (Sintered)	1	1	
14	DP 1011 68	'O' Ring	1	1	
15	39 1981 04	Bolt	2	2	
16	DD 1014 75	Washer Special	1	1	



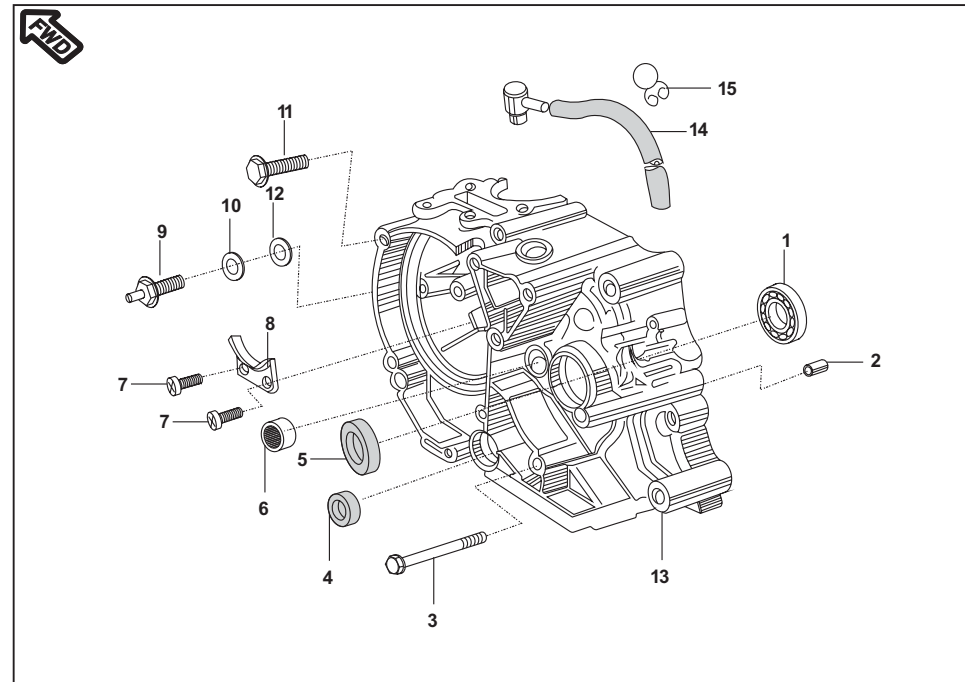
No.	Part No.	Description	Qty/Veh.		Remarks
			CT100 RHL	CT100 THL	
1	31 1011 91	Fork Shift	1	1	
2	31 1010 51	Rod shift	2	2	
3	DU 1010 81	Drum assly. change	1	1	
4	DM 1010 98	Cup Stopper	1	1	
5	31 1011 92	Fork shift	1	1	
6	39 0992 06	Pin Dowel	5	5	
7	DP 1013 40	Bolt Soc. Head	1	1	
8	DM 1010 99	Plate Spacer	1	1	
9	DU 1010 83	Cam Drum Change	1	1	



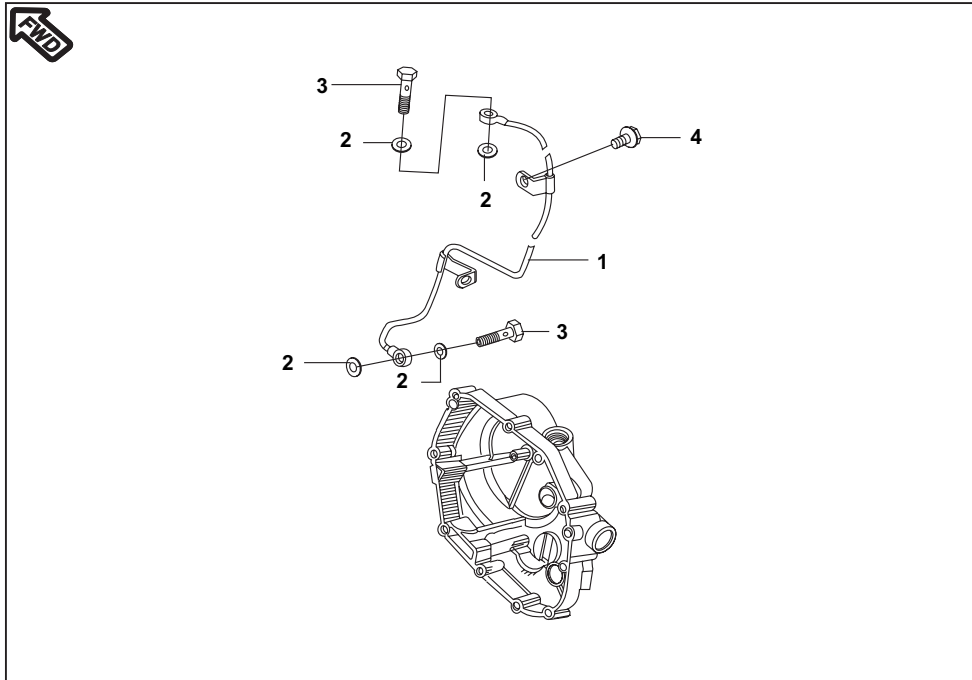
No.	Part No.	Description	Qty/Veh.		Remarks
			CT100 RHL	CT100 THL	
1	DU 1010 73	Stopper Comp. Gear Shifter	1	1	
2	39 1994 04	Bolt	1	1	
3	36 DU10 04	Gear Lever Spring Kit	1	1	Ref. Page No.63
4	DU 1010 74	Plate Position	1	1	
5	39 0746 01	Screw Pan Cross	1	1	
6	52 DU01 04	Lever Comp. Change Shaft	1	1	Shaft+Spring+collar
7	DD 1011 06	Bolt	1	1	
8	39 2474 04	Flanged bolt	1	1	
9	DX 1010 68	Lever Change / Damper	1	1	
10	31 10 1108	Damper	1	1	
11	31 1011 09	Collar	1	1	
12	39 2704 11	Washer Spring Steel	1	1	



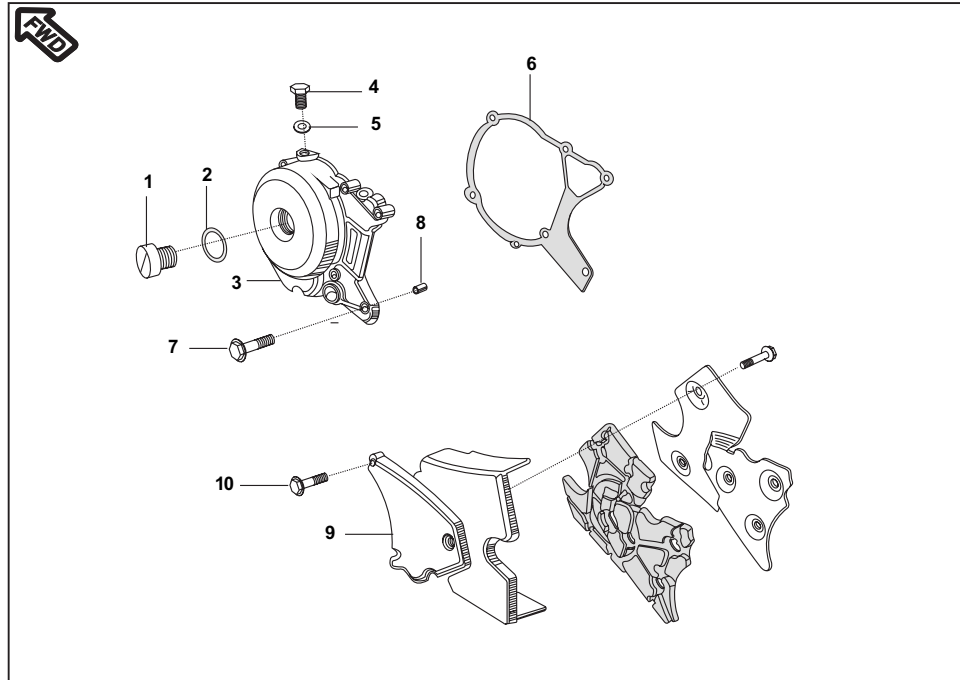
No.	Part No.	Description	Qty/Veh.		Remarks
			CT100 RHL	CT100 THL	
1	DU 1012 20	Engine Assembly	1	1	N.I.
2	39 0248 11	Plain Washer	3	3	
3	39 2702 04	Bolt	2	2	
4	39 1225 15	Nut	3	3	
5	39 1864 20	Bearing Ball	1	1	
6	39 0999 06	Dowel Pin	5	5	
7	01 1701 11	Bearing	1	1	
8	DP 1014 52	Oil Strainer	1	1	
9	DG 1014 98	Gasket	1	1	
10	DU 1012 23	Plug (Drain)	1	1	
11	59 2000 34	Bearing	1	1	
12	DU 1010 75	Crankcase Comp. RH	1	1	
13	DU 1010 85	Bushing	1	1	



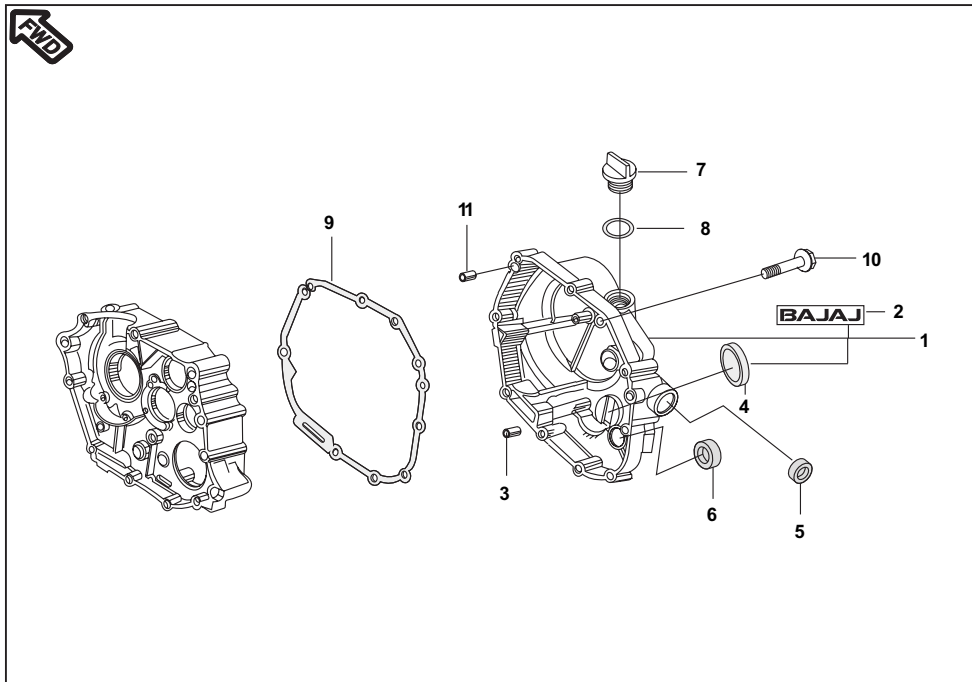
No.	Part No.	Description	Qty/Veh.		Remarks
			CT100 RHL	CT100 THL	
1	01 1701 11	Ball Bearing	1	1	
2	39 1050 06	Dowel Pin	1	1	
3	39 1066 04	Bolt Flanged Small	3	3	
4	39 1043 19	Oil Seal	1	1	
5	39 1080 19	Seal Oil	1	1	
6	39 1008 20	Bearing Needle	1	1	
7	39 0702 01	Screw Pan Cros	2	2	
8	31 10 1056	Guide	1	1	
9	31 2010 81	Switch Comp. (Neutral)	1	1	
10	39 0703 11	Plain Washer	1	1	N.S
11	39 1075 04	Bolt Flanged Small	7	7	
12	DH 1017 84	Gasket	1	1	
13	DU 1012 80	Crankcase LH	1	1	Ref. Cir. IB-181
	DU 1012 16	Crankcase LH	1	1	w.e.f. Aug. 05
14	DD 1012 19	Tube rubber	1	1	
15	DK 1410 41	Clamp	2	2	



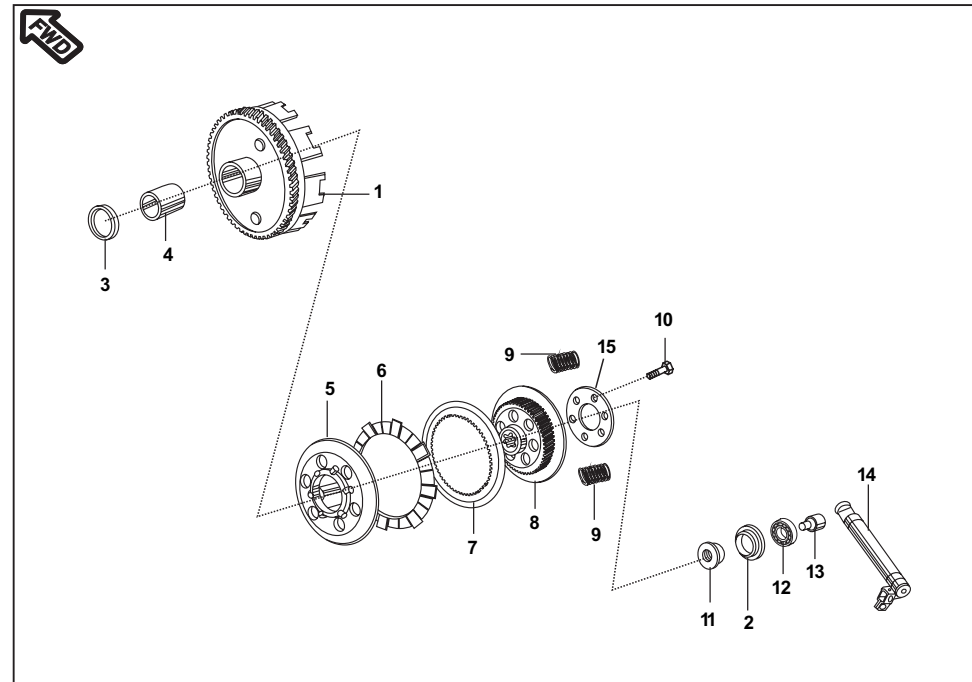
No.	Part No.	Description	Qty/Veh.		Remarks
			CT100 RHL	CT100 THL	
1	DU 1210 05	Pipe Oil	1	1	with Bkt. Eng Frt.RH DU161094
	DU 1210 10	Pipe Oil	1	1	with Bkt. Eng Frt.DD161052
2	31 1210 06	Gasket	4	4	
3	39 1023 04	Bolt	2	2	
4	39 1062 04	Bolt flanged small	2	2	



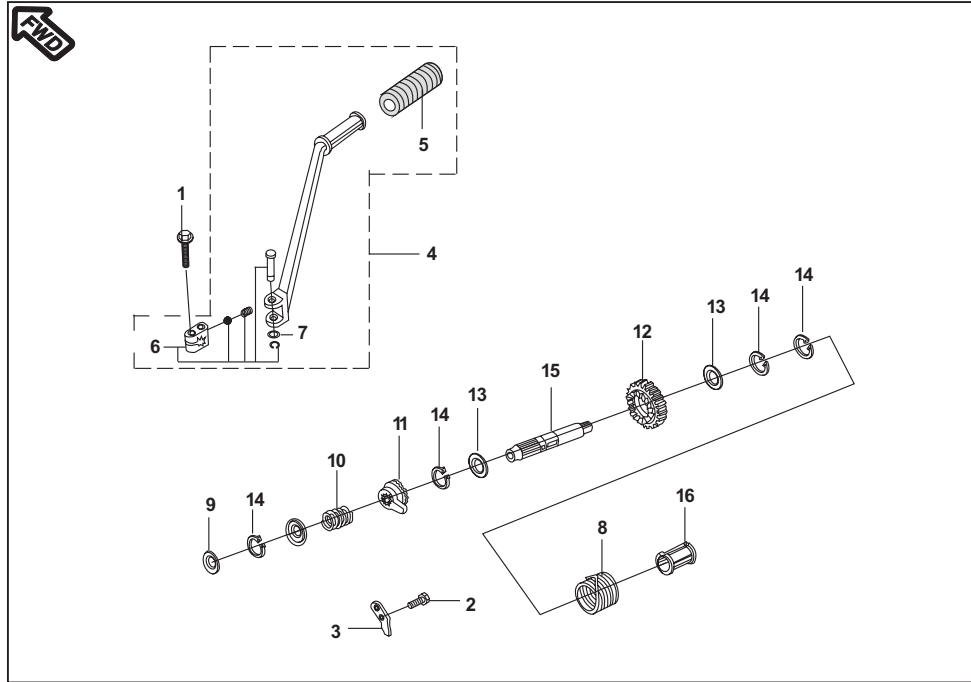
No.	Part No.	Description	Qty/Veh.		Remarks
			CT100 RHL	CT100 THL	
1	31 1010 62	Bolt	1	1	
2	39 1019 21	Ring O	1	1	
3	31 1012 95	Cover Generator	1	1	
4	31 1010 61	Plug	1	1	
5	31 1011 13	Gasket	1	1	
6	DM 1011 39	Gasket - Generator Cover	1	1	
7	39 1074 04	Bolt Flanged Small	5	5	
8	39 0999 06	Pin	2	2	
9	52 DM00 86	Cover Chain (Engine)	1	1	For 18" Wheel
10	39 2147 04	Bolt Flanged Small	3	3	



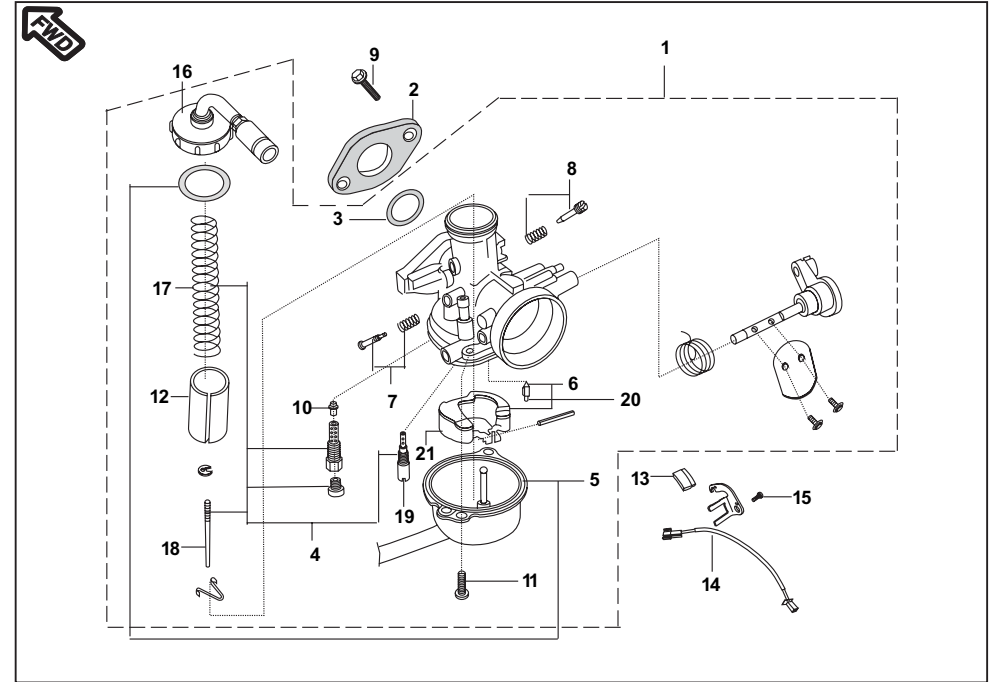
No.	Part No.	Description	Qty/Veh.		Remarks
			CT100 RHL	CT100 THL	
1	DU 1012 10	Clutch cover/ Graphics/Gauge	1	1	
2	DU 1011 88	Label clutch cover "Bajaj"	1	1	
3	39 0999 06	Dowel Pin	2	2	
4	31 1010 67	Gauge	1	1	
5	39 1041 19	Seal oil	1	1	
6	30 1011 42	Seal oil	1	1	
7	DD 1013 25	Cap oil filler	1	1	
8	39 2134 21	O ring	1	1	
9	DM 1011 40	Gasket (Clutch cover)	1	1	
10	39 1075 04	Bolt flanged small	10	10	



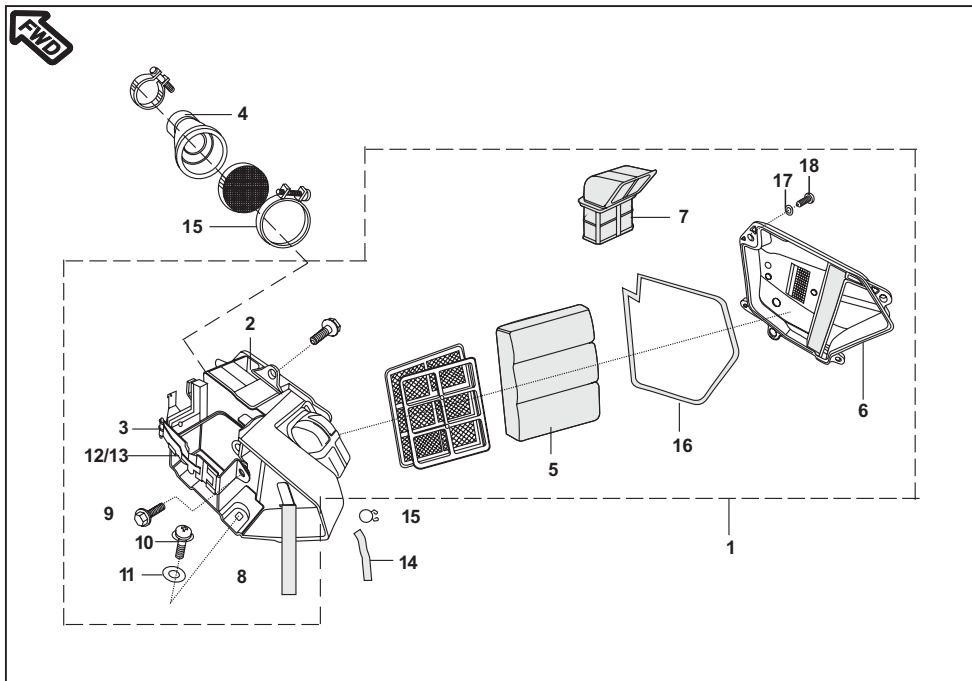
No.	Part No.	Description	Qty/Veh.		Remarks
			CT100 RHL	CT100 THL	
1	DX 1010 54	Housing Comp. clutch	1	1	
2	28 1011 95	Holder	1	1	
3	39 2600 11	Plain Washer	2	2	
4	DU 1011 09	Collar	1	1	
5	DD 1014 92	Wheel Clutch	1	1	
6	36 DD40 08	Kit Plate Friction	1	1	
7	30 1010 96	Plate Clutch	4	4	
8	DD 1014 93	Hub Clutch	1	1	
9	28 1012 14	Spring	6	6	
10	39 0980 04	Hex. Bolt	6	6	
11	39 1053 15	Hex.Nut/Flange	1	1	
12	39 2403 20	Bearing	1	1	
13	31 10 1148	Rod Push	1	1	
14	DX 1010 35	Lever Assly. Complete	1	1	w.e.f. Jan. 06
15	31 1011 37	Holder	1	1	



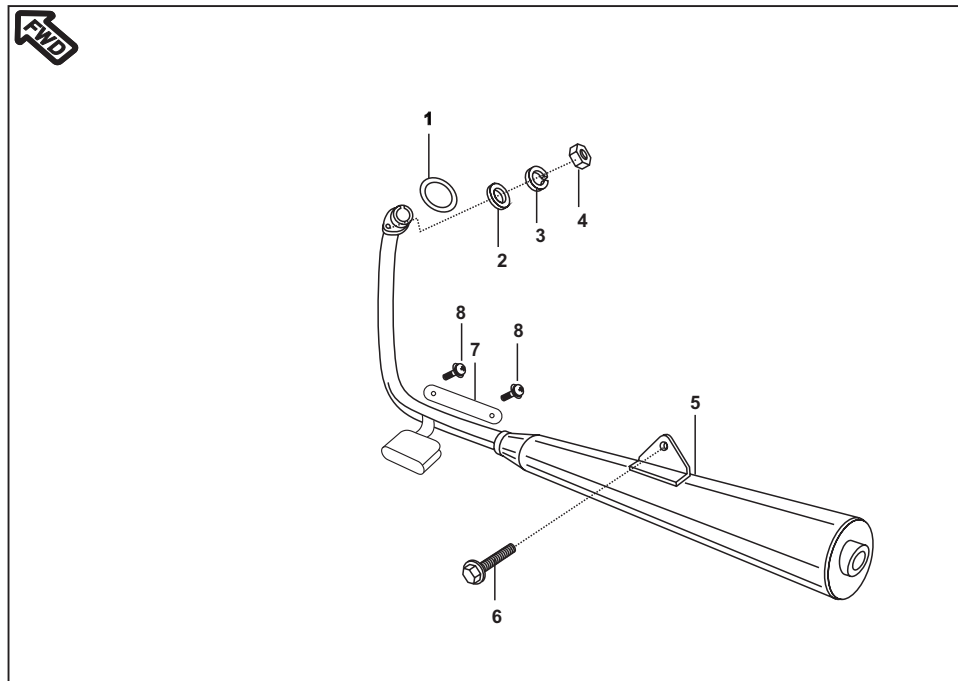
No.	Part No.	Description	Qty/Veh.		Remarks
			CT100 RHL	CT100 THL	
1	JA 6212 06	Flanged bolt	1	1	Ref. Page No.63
2	DD 1012 64	Screw Pan Cross	2	2	
3	DD 1012 54	Guide Kick	1	1	
4	DU 1010 50	Lever Assly Kick Comp.	1	1	
5	30 1011 54	Bush(Damper)	1	1	
6	36 DU10 07	Boss Kick Set	1	1	
7	22 1502 41	Plain Washer	1	1	
8	31 1010 41	Spring	1	1	
9	39 0993 11	Plain Washer	1	1	
10	31 1010 39	Coil Spring	1	1	
11	31 1010 38	Ratchet	1	1	
12	DU 1010 38	Gear Spur Kick Start	1	1	
13	39 0995 11	Plain Washer	2	2	
14	39 0738 17	External Circlip Type C	4	4	
15	DU 1010 45	Shaft Kick	1	1	
16	31 1010 40	Guide	1	1	



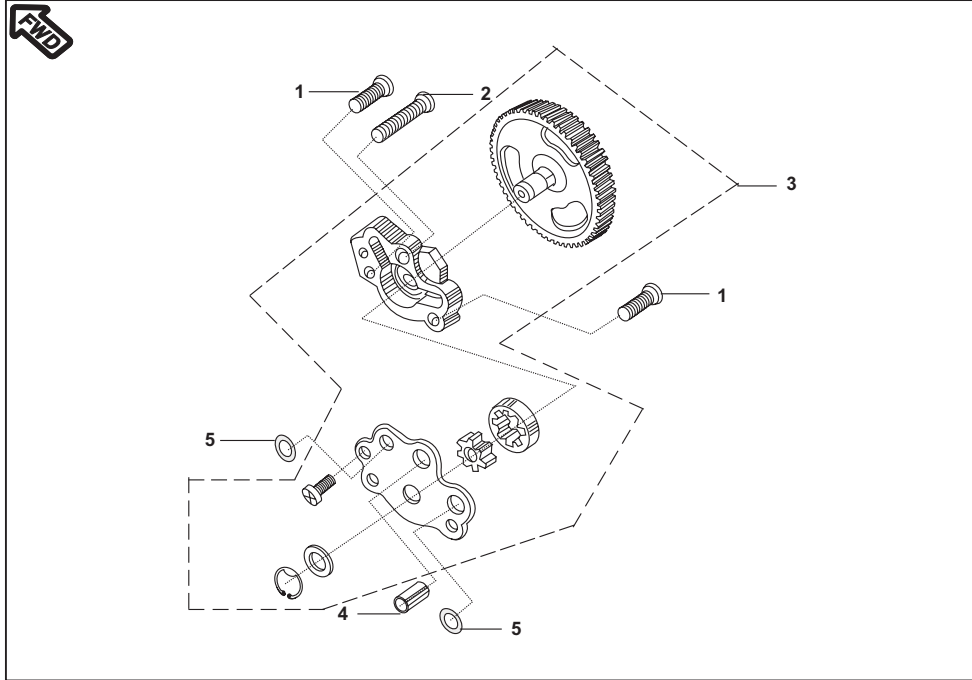
No.	Part No.	Description	Qty/Veh.		Remarks
			CT100 RHL	CT100 THL	
1	DU 1210 33	Carburettor Assly.	1	1	Ref. Page No.64 Ref. Page No.63 Ref. Page No.64 Ref. Page No.63 Ref. Page No.63 For mounting Carburettor TPS Assly. Parts TPS Mounting
2	DU 1010 57	Insulator (Carburettor / Intake)	1	1	
3	39 1283 21	O ring	1	1	
4	36 DU12 06	Carburettor Holder / Jet Kit	1	1	
5	36 DU12 04	Gasket O ring Kit for Carb.	1	1	
6	36 DU12 05	Carburettor Float pin Kit	1	1	
7	36 DU12 02	Idling Screw kit	1	1	
8	36 DU12 03	Air Control Screw Kit	1	1	
9	DU 1012 28	Flanged bolt	2	2	
10	DU 1210 28	Seat for Jet Needle	1	1	
11	DD 1211 71	Screw with washer	2	2	
12	DU 1210 17	Valve throttle	1	1	
13	DH 1211 01	Magnet Assly.	1	1	
14	DH 1211 02	Reed Switch Assly.	1	1	
15	39 1062 04	Bolt Flanged Small	1	1	
16	DU 1210 22	Cap Assly.	1	1	
17	DU 1210 21	Spring Throttle	1	1	
18	DU 1210 18	Needle Jet	1	1	
19	DU 1210 13	Jet Pilot	1	1	
20	DD 1211 68	Valve Float	1	1	
21	DU 1210 15	Float	1	1	
22	DD 1110 46	TPS Assly	1	1	



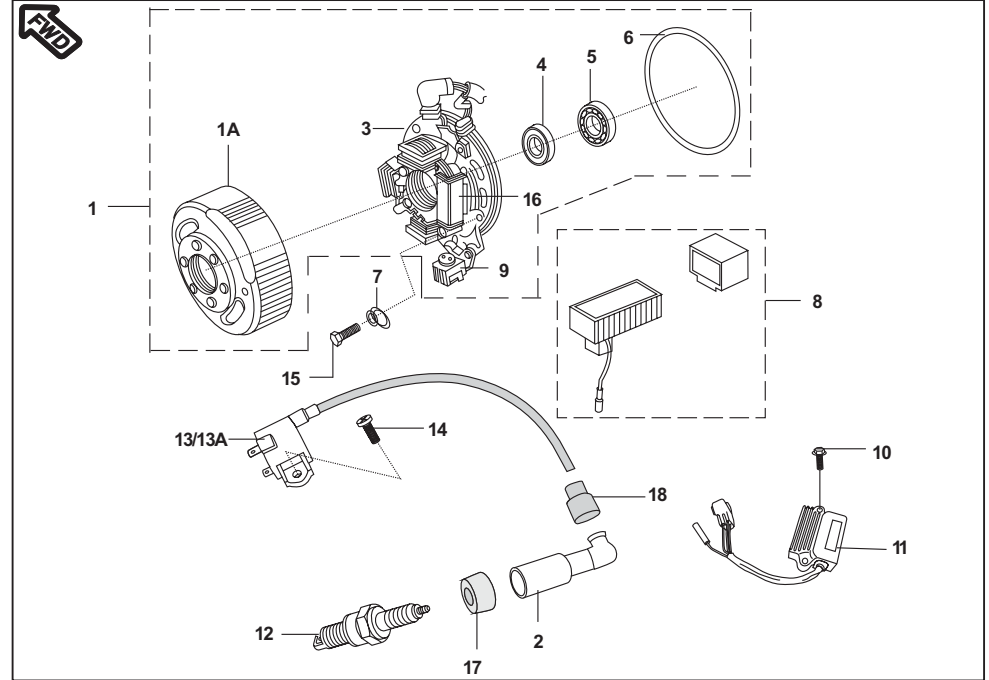
No.	Part No.	Description	Qty/Veh.		Remarks
			CT100 RHL	CT100 THL	
1	DF 1210 23	Filter assly air	1	1	
2	DF 1210 25	Case air filter	1	1	
3	39 0986 08	Pin Cotter	1	1	
4	DU 1210 08	Duct (A/F to Carburettor)	1	1	
5	31 1210 29	Element air filter	1	1	
6	DM 1210 04	Cap	1	1	
7	DH 1211 03	Duct (Inlet)	1	1	
8	DM 2210 01	Band - Tool kit	1	1	
9	39 1680 04	Flanged bolt (Battery)	1	1	
10	39 2407 01	Screw (Mounting air filter)	2	2	
11	39 1789 24	Washer (Nylon)	2	2	
12	DM 1210 10	Band (Battery)	1	1	
13	DU 1210 30	Damper battery	2	2	
14	DM 1210 14	Tube oil drain	1	1	
15	DG 1210 02	Clamp	1	1	
16	DM 1210 07	O Ring	1	1	
	DU 1210 52	O Ring	1	1	Ref. Cir. IB-198
17	01 1106 09	Washer Plain	4	4	
18	39 0830 01	Screw Pan Cross	2	2	



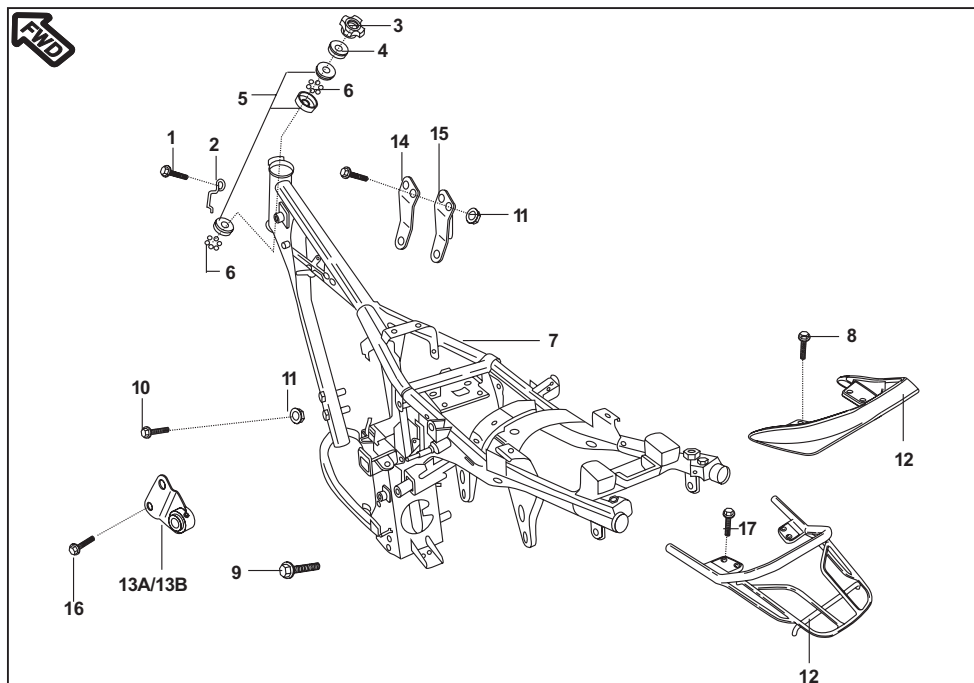
No.	Part No.	Description	Qty/Veh.		Remarks
			CT100 RHL	CT100 THL	
1	31 10 1014	Gasket	1	1	
2	39 0198 11	Plain Washer	2	2	
3	39 0732 12	Spring washer	2	2	
4	DU 1012 06	Nut	2	2	
5	DU 1011 96	Muffler (Export)	1	1	W/o CAT & with Ex. Tec
6	DD 1013 66	Flanged Bolt	1	1	
7	DU 1011 80	Shield Exhaust Tube	1	1	
8	DH 1016 07	Truss Screw	2	2	



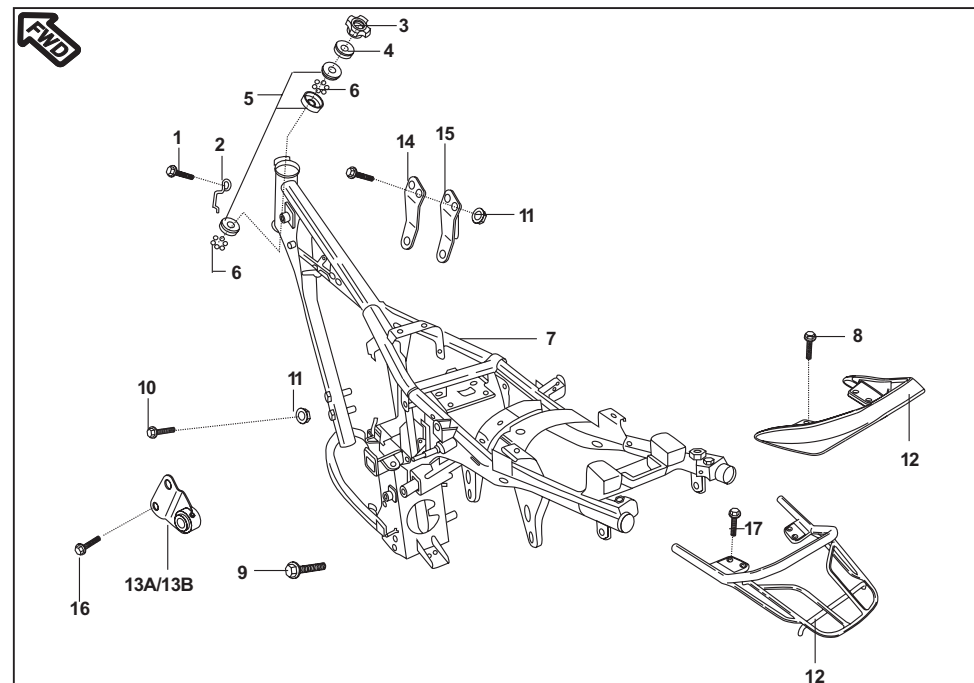
No.	Part No.	Description	Qty/Veh.		Remarks
			CT100 RHL	CT100 THL	
1	39 1078 01	Screw Pan Cros	2	2	
2	39 0753 01	Screw Pan Cros	1	1	
3	DF 1210 03	Pump Assly. Oil	1	1	
4	39 0999 06	Pin dowel	1	1	
5	39 1013 21	Ring O	2	2	



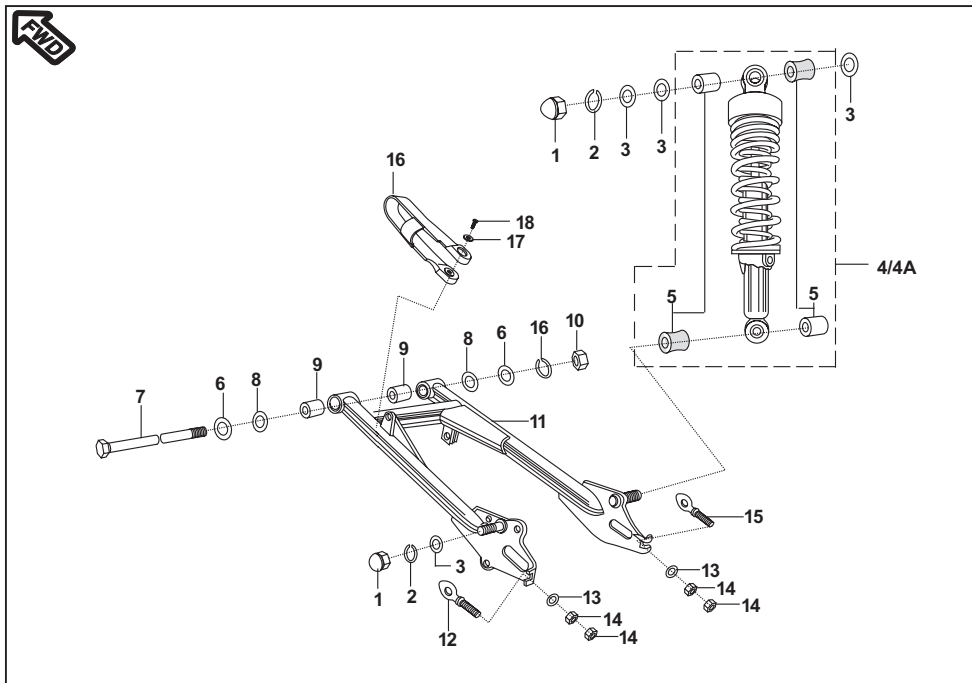
No.	Part No.	Description	Qty/Veh.		Remarks
			CT100 RHL	CT100 THL	
1	DF 1110 15	Magneto assly / Brg. & Oil Seal	1	1	
2	DD 1110 48	Cap Spark plug (R)	1	1	
3	DF 1110 20	Stator assly	1	1	
4	39 1042 19	Seal Oil (HTA make)	1	1	
5	39 1003 20	Bearing ball	1	1	
6	39 1028 21	Ring O	1	1	
7	39 1659 11	Plain washer	3	3	
8	DU 1110 01	CDI Unit	1	1	
9	31 1110 58	Pulser Coil	1	1	
10	39 1553 04	Flanged Bolt	2	2	
11	DU 2010 62	Regulator/Rectifier (R/R) unit	1	1	
12	DD 1110 18	Plug Spark (P-RZ9HC)	1	1	
13	DF 1110 33	H. T. Coil	1	1	
	DZ 1110 12	H. T. Coil	1	1	
14	39 0745 01	Screw pan cross	1	1	
15	DD 1013 18	Bolt	3	3	
16	31 1110 56	Exciter coil	1	1	
17	DD 1110 11	Grommet Spark plug Cap	1	1	
18	DD 1110 12	Grommet H.T. Cable	1	1	



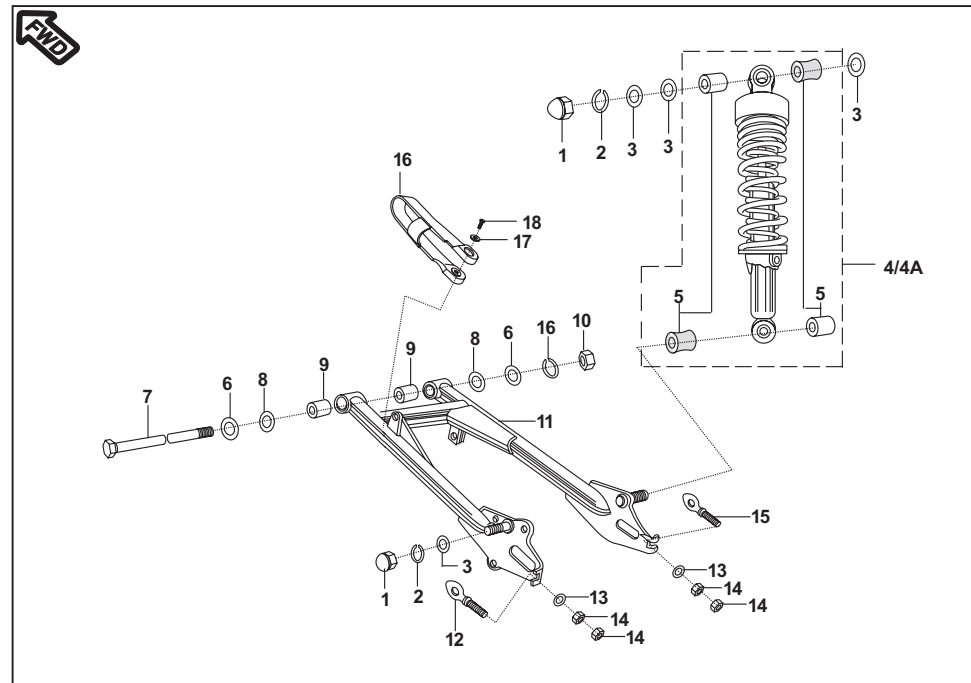
No.	Part No.	Description	Qty/Veh.		Remarks
			CT100 RHL	CT100 THL	
1	39 2473 04	Flanged Bolt	1	1	
2	31 1910 02	Clamp	1	1	
3	DF 1810 90	Nut	1	1	
4	DF 1810 52	Cap Steering	1	1	
5	36 3140 05	Bearing cone kit	1	1	
6	30 18 1006	Ball Steel	46	46	
7	DU 1611 25	Frame Comp./Brg.races	1	1	For SNS
	DU 1612 75	Frame Assembly	1	1	Ref. Cir. IB-232
8	39 2222 04	Flange Bolt	--	4	
9	39 2702 04	Hex.Bolt	1	1	
10	39 2469 04	Flanged Bolt	1	1	



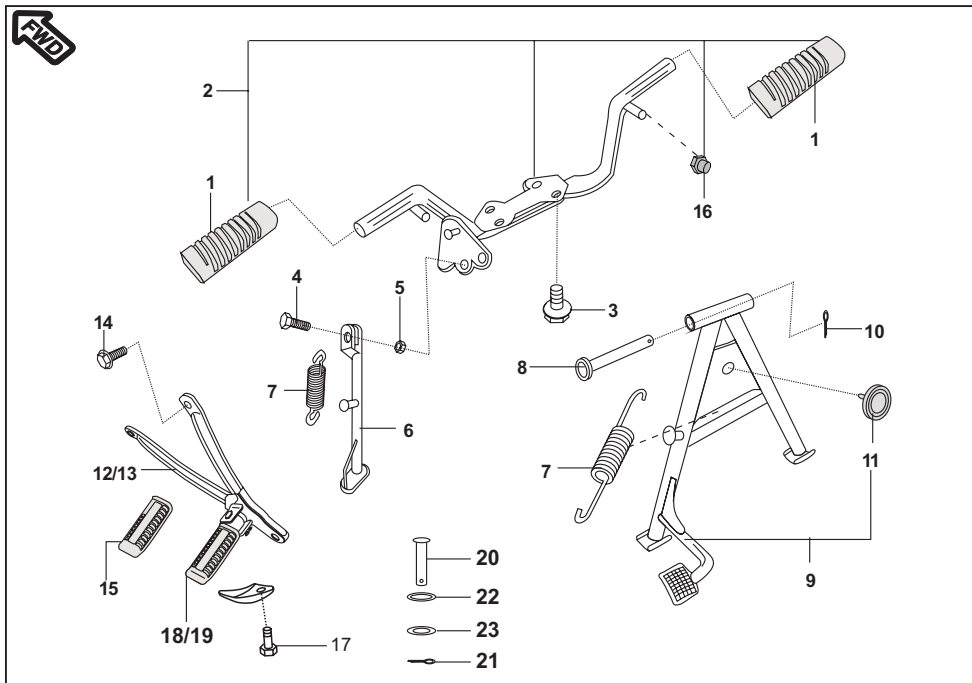
No.	Part No.	Description	Qty/Veh.		Remarks
			CT100 RHL	CT100 THL	
11	39 2479 15	Flange Nut	5	5	
12	DU 2210 04	Grip frame(Tubular)	1	--	
	DU 2210 01	Grip frame(die Cast)	--	1	
13A	DU 1610 93	Bracket Engine Front/Bush LH	1	1	
13B	DU 1610 94	Bracket Engine Front/Bush RH	1	1	
14	DD 1610 53	Bracket Engine Upper LH	1	1	
15	DF 1611 68	Bracket Engine Upper RH	1	1	
16	39 2455 04	Flange Bolt	2	2	



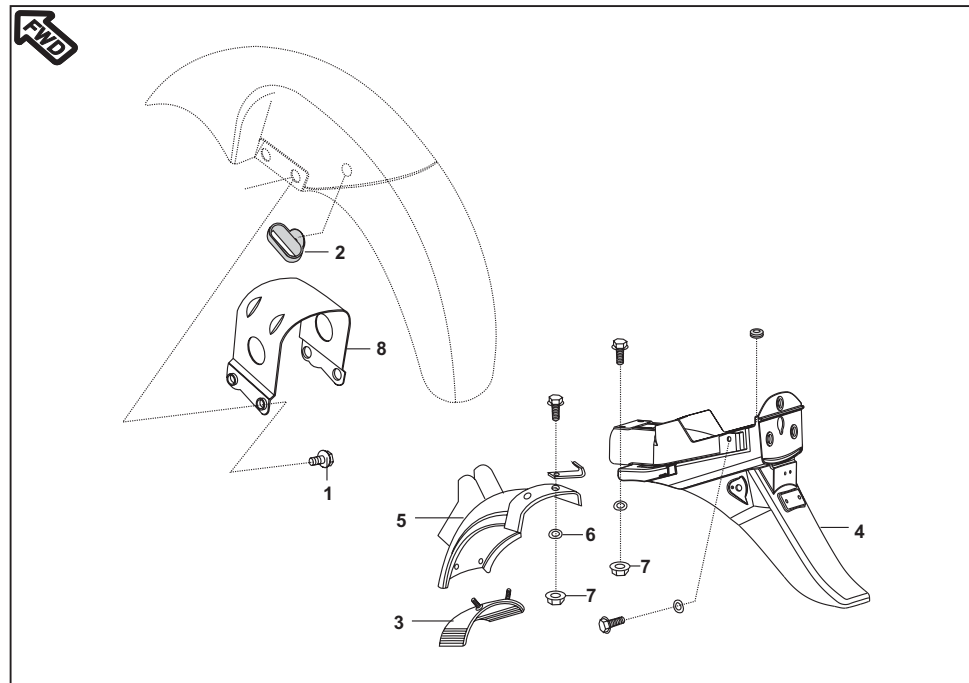
No.	Part No.	Description	Qty/Veh.		Remarks
			CT100 RHL	CT100 THL	
1	39 0712 15	Domed Cap Nut	4	4	
2	39 0737 12	Washer Spring	4	4	
3	39 0714 11	Washer Plain	8	8	
4	DZ 1710 16	Rear Shock Absorber	2	2	Black Color
5	36 DF17 01	Rubber Inner Bush kit	1	1	Ref. Page No.63
6	39 0248 11	Plain Washer	2	2	
7	31 1710 06	Shaft Swing Arm	1	1	
8	39 0201 11	Plain Washer	2	2	
9	30 1710 18	Bushing Rubber	2	2	
10	39 1225 15	Nut Hex./ flange	1	1	



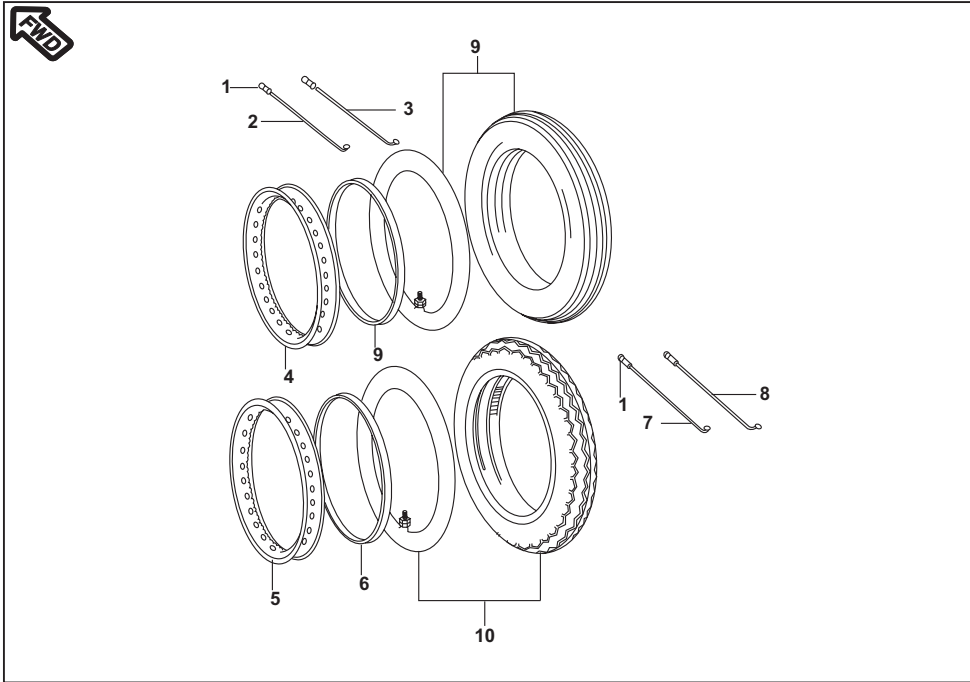
No.	Part No.	Description	Qty/Veh.		Remarks
			CT100 RHL	CT100 THL	
11	31 1710 01	Arm Comp. Swing / Bush	1	1	
	52 DU05 55	Arm Comp. Swing / Bush	1	1	
12	52 DF00 21	Adjuster Chain (RH)	1	1	
13	39 0711 11	Washer Plain	2	2	
14	39 0292 15	Hex Nut	4	4	
15	52 DF00 20	Adjuster Chain (LH)	1	1	
16	31 1710 12	Damper for Swing arm	1	1	
17	39 0454 11	Plain washer	2	2	
18	39 0553 02	Self tapping Screw	2	2	



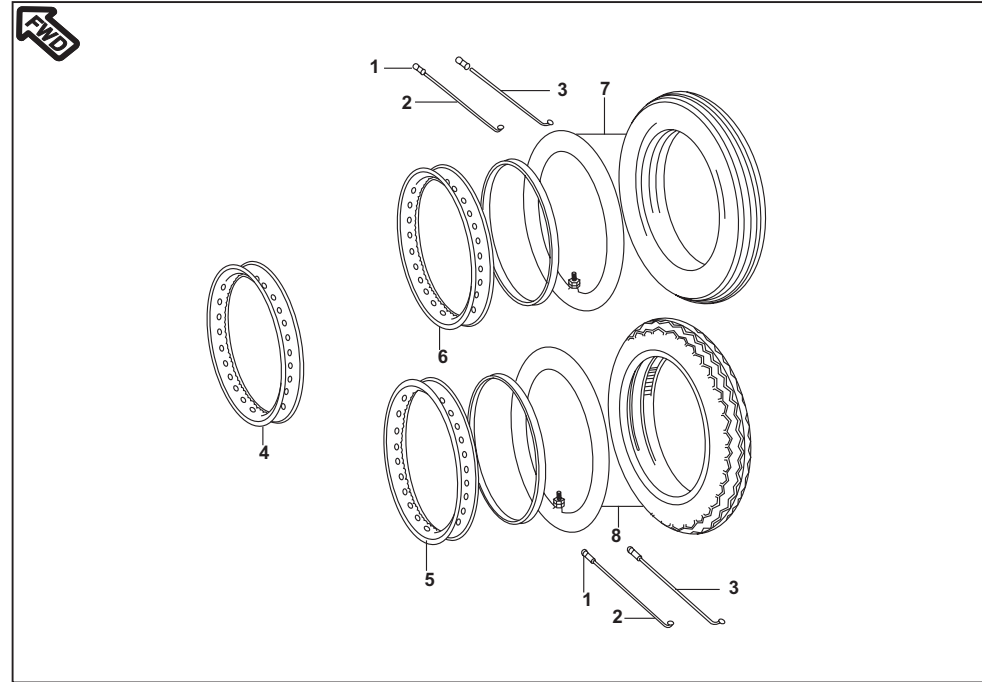
No.	Part No.	Description	Qty/Veh.		Remarks
			CT100 RHL	CT100 THL	
1	DF 1614 13	Damper (PVC)	2	2	
2	DF 1614 25	Holder Step/Damper/Kick Stopper	1	1	
3	39 1940 04	Flanged Bolt	4	4	
4	DF 1611 02	Bolt	1	1	
5	39 0422 15	Nyloc Nut	1	1	
6	DL 1610 48	Stand Side	1	1	
7	30 1611 58	Spring	2	2	
8	30 1611 57	Shaft Stand	1	1	
9	DU 1610 32	Stand Centre / Damper	1	1	
10	39 0787 08	Pin Cotter	1	1	
11	DG 1611 24	Damper	1	1	
12	DU 1610 77	Stay LH / PVC Damper	1	1	
13	DU 1611 46	Stay LH / PVC Damper	1	1	For SNS
	DU 1611 44	Stay LH / PVC Damper	1	1	For Philippines
	DU 1610 78	Stay RH / PVC Damper	1	1	
	DU 16 11 47	Stay RH / PVC Damper	1	1	For SNS
	DU 1611 45	Stay RH / PVC Damper	1	1	for Philippines
14	39 2481 04	Hex bolt flanged	2	2	
15	DF 1614 14	Rubber Pillion Step (PVC)	2	2	
	DX 1610 56	Rubber Pillion Step (PVC)	2	2	w.e.f. Dec. 05
16	DH 1611 94	Kick Stopper	1	1	
17	22 1504 51	Bolts	2	2	New Part w.e.f. Sep. 06
18	52 DU03 02	Pillion Step LH	1	1	
19	52 DU03 03	Pillion Step RH	1	1	
20	DD 1613 81	Pin Pillion Step	2	2	
21	39 0784 08	Pin Split	2	2	
22	30 1410 31	"O" Ring	2	2	
23	39 1040 11	Washer Plain	2	2	



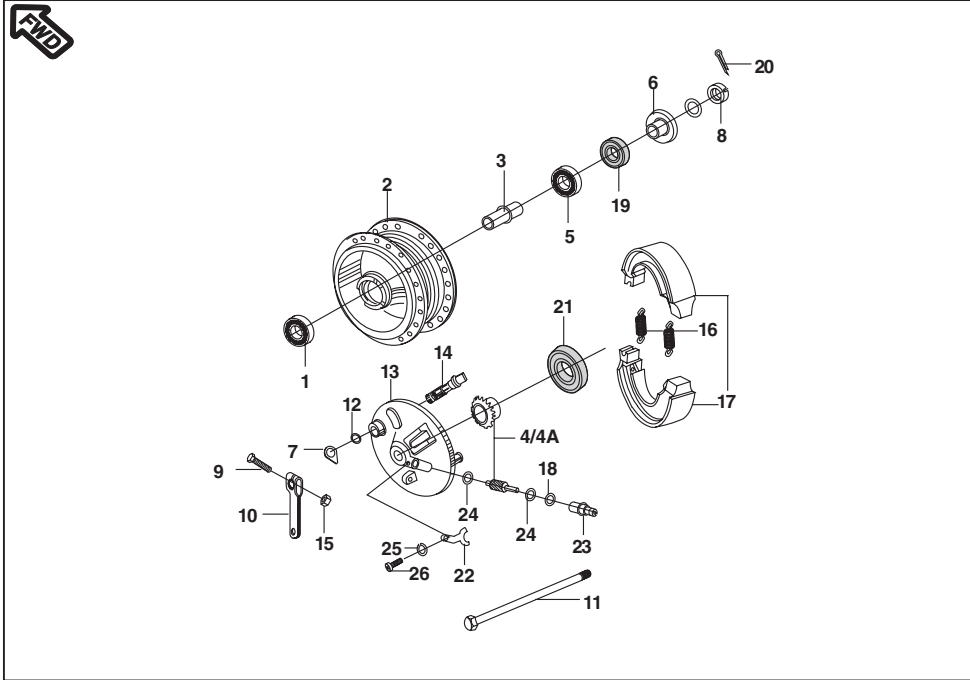
No.	Part No.	Description	Qty/Veh.		Remarks
			CT100 RHL	CT100 THL	
1	39 2222 04	Flanged Bolt	4	4	
2	DJ 1610 68	Cable Guide	1	1	
3	DD 1610 51	Flap	1	1	
4	DU 1610 08	Fender Rear	1	1	For THL along with
5	DM 1610 09	Fender Rear Front	1	1	Adopters. Ref. Page 56
6	39 0711 11	Plain Washer	4	4	
7	39 0817 15	Hex. Nut Flanged	4	4	
8	DU 1610 98	Brace	1	1	



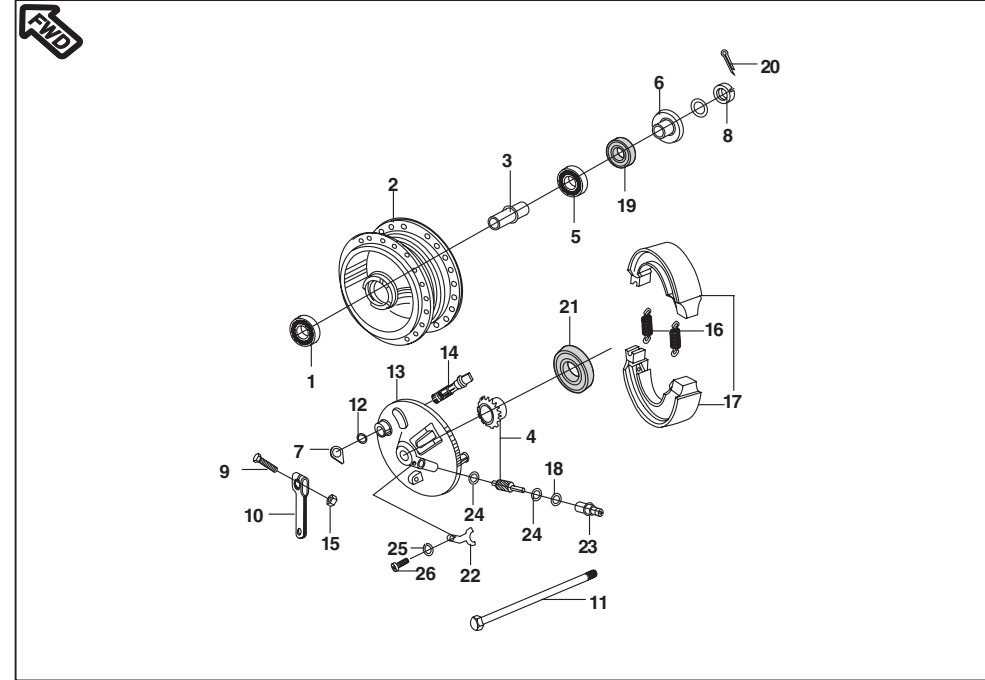
No.	Part No.	Description	Qty/Veh.		Remarks
			CT100 RHL	CT100 THL	
1	16 1510 66	Nipple Spoke	72	72	
2	DU 1510 25	Spoke Inner Front	18	18	
3	DU 1510 26	Spoke Outer Front	18	18	
4	DM 1510 29	Wheel Rim Front (1.6 x 17)	1	1	
5	DS 1510 46	Wheel Rim Rear (1.85 x 17)	1	1	
6	DG 1510 22	Band Rim	2	2	
7	DS 1510 09	Spoke Inner Rear	18	18	
8	DS 1510 10	Spoke Outer Rear	18	18	
9	DS 1510 47	Tyre and Tube Front 2.75 x 17	1	1	
10	DM 1510 27	Tyre and Tube Rear	1	1	



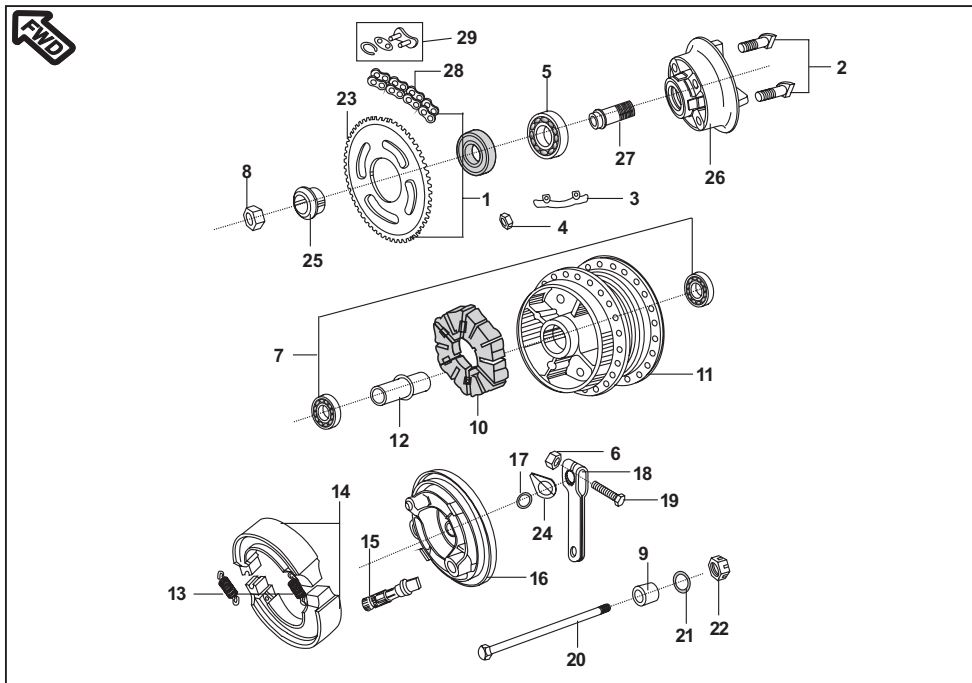
No.	Part No.	Description	Qty/Veh.		Remarks
			CT100 RHL	CT100 THL	
1	16 1510 66	Nipple Spoke	72	72	
2	DF 1510 05	Spoke Inner	36	36	
3	DU 1510 25	Spoke Inner	36	36	For 17" Wheel
	DF 1510 06	Spoke Outer	36	36	
4	DU 1510 26	Spoke Outer	36	36	For 17" Wheel
	DM 1510 08	Wheel Rim Rear and Front	2	2	For 18" Wheel
5	DU 1510 18	Wheel Rim Rear	1	1	For 17" Wheel
6	DM 1510 29	Wheel Rim Front	1	1	For 17" Wheel
7	DS 1510 47	Tyre with Tube Front	1	1	
8	DM 1510 27	Tyre with Tube Rear	1	1	For 17" Wheel



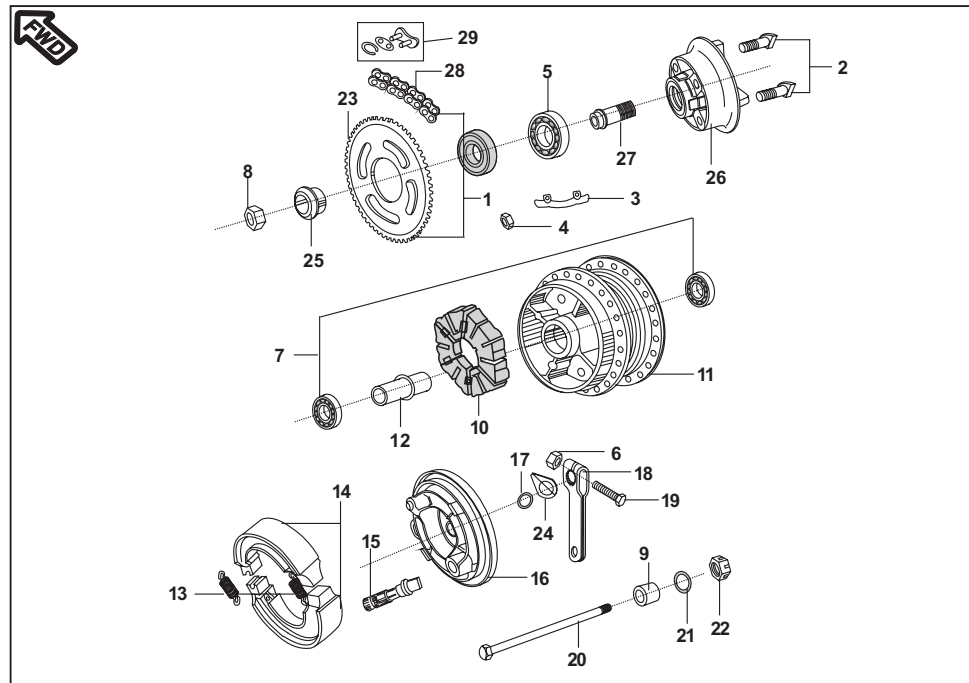
No.	Part No.	Description	Qty/Veh.		Remarks
			CT100 RHL	CT100 THL	
1	39 2680 20	Ball Bearing	1	1	6300RS1/C3
2	DF 1510 03	Drum Front	1	1	
3	31 1510 04	Collar	1	1	
4	36 DZ00 21	Gear Meter Screw Kit	1	1	Ref. Page No.63
4A	36 DU15 03	Gear Meter Screw Kit	1	1	For Philippines
5	39 2681 20	Ball Bearing	1	1	6200RS1/C3
6	DU 1510 05	Collar Axle Assly.	1	1	
7	DD 1510 09	Indicator Front	1	1	
8	DU 1510 31	Nut Hex. Slotted	1	1	
9	39 0775 04	Bolt	1	1	
10	DD 1510 08	Lever Brake Cam	1	1	
11	DZ 1510 12	Axle	1	1	
12	30 15 1038	Ring O	1	1	
13	DZ 1510 27	Panel Front Brake	1	1	
14	31 15 1011	Cam Brake	1	1	
15	39 0798 15	Flange Nut	1	1	



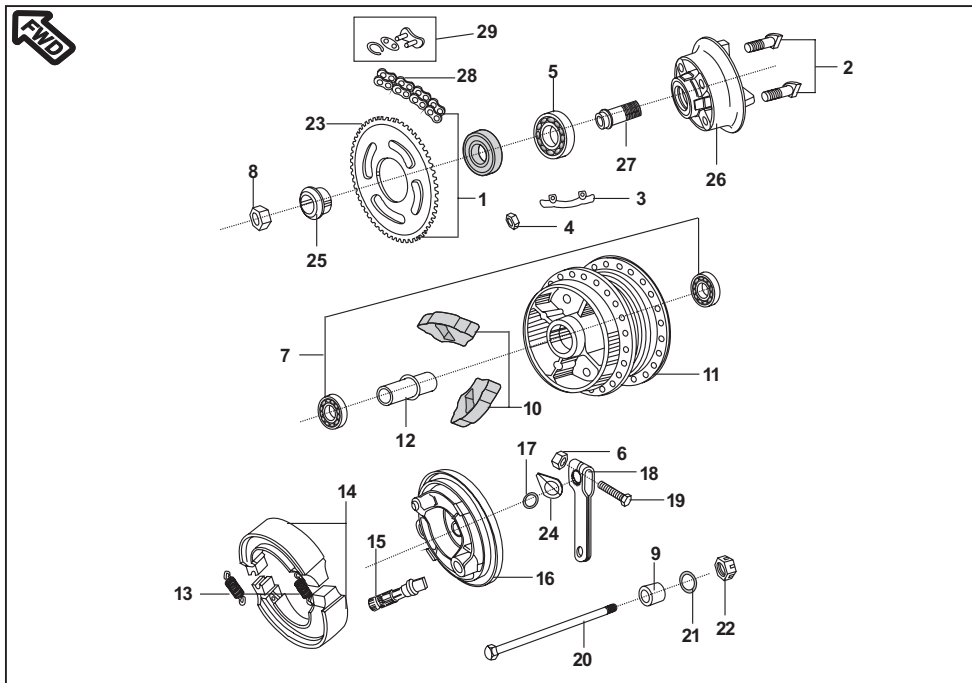
No.	Part No.	Description	Qty/Veh.		Remarks
			CT100 RHL	CT100 THL	
16	30 1510 69	Spring	2	2	
17	31 1510 60	Shoe Brake Assly.	2	2	
18	39 1013 21	Ring 'O'	1	1	
19	14 1510 21	Oil Seal	1	1	
20	39 0990 08	Cotter Pin	1	1	
21	31 1510 14	Oil Seal	1	1	
22	30 1511 18	Stopper for bushing	1	1	
23	30 1511 19	Bushing	1	1	Upto Aug. 06
	JA 1316 06	Bushing	1	1	w.e.f. Sep. 06
24	39 0242 11	Washer	2	2	
25	39 0900 12	Spring Washer	1	1	
26	39 0840 01	Screw pan Cross	1	1	
27	39 1561 21	"O" ring (New Speedo Cable)	1	1	w.e.f. Sep. 06 N.I.



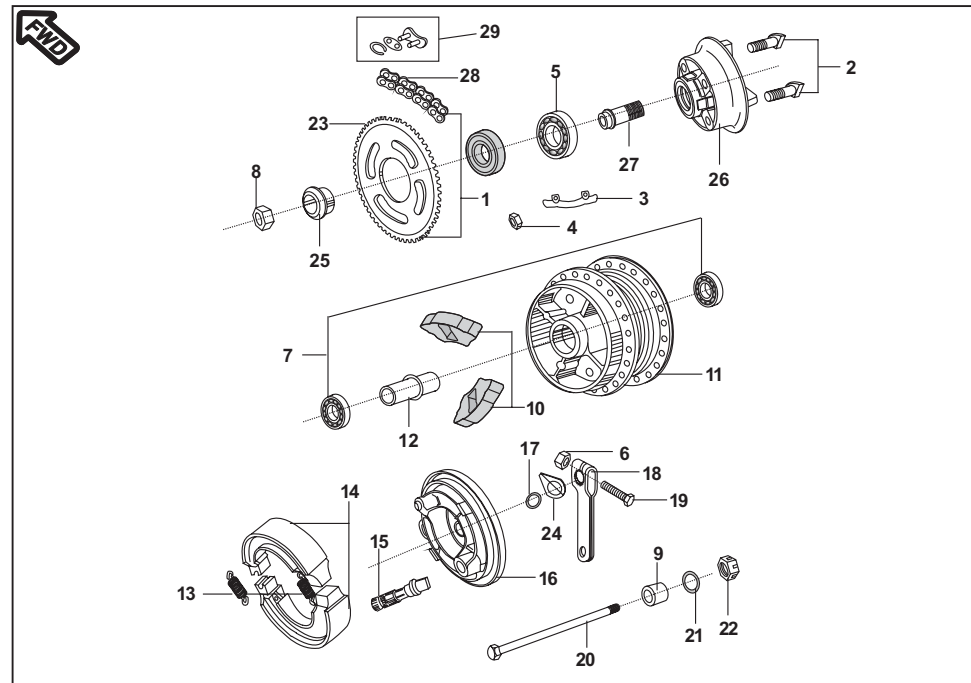
No.	Part No.	Description	Qty/Veh.		Remarks
			CT100 RHL	CT100 THL	
1	36 DU15 05	Chain Sprocket Kit 110mm Rr. Dr.	1	1	Ref. Page No. 53
	36 DM00 01	Chain Sprocket Kit 130mm Rr. Dr.	1	1	
2	DP 1510 28	'D' bolt	6	6	
3	30 1510 81	Washer	2	2	
4	39 0794 15	Nut Hex. Fine	4	4	
5	39 2240 20	Bearing Ball	1	1	
6	39 0798 15	Hex. nut	1	1	
7	39 2686 20	Rear Wheel Bearing	1	1	
7A	39 2687 20	Rear Wheel Bearing	1	1	
8	39 0988 15	Nut Hex.	1	1	
9	31 1510 26	Collar	1	1	
10	DP 1510 27	Shock Damper	4	1	
11	30 1510 63	Drum Rear	1	1	
12	301510 75	Collar Assly.	1	1	
13	30 1510 69	Spring	2	1	
14	30 1511 05	Shoe Brake Assly.	1	1	
15	30 1510 11	Brake Cam assly	1	1	



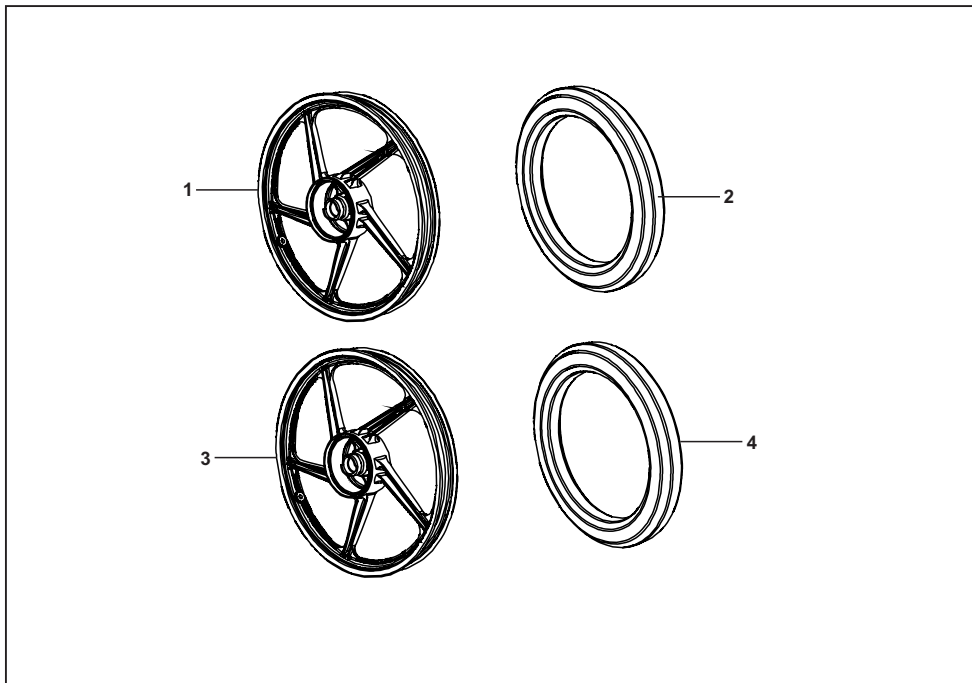
No.	Part No.	Description	Qty/Veh.		Remarks
			CT100 RHL	CT100 THL	
16	30 1510 08	Panel Rear Brake	1	1	
17	30 1510 38	Ring O	1	1	
18	DD 1510 15	Lever Brake	1	1	
19	39 2447 04	Bolt	1	1	
20	DM 1510 32	Axle	1	1	
21	39 2566 11	Washer Plain	1	1	
22	DH 1710 19	Nut Castle	1	1	
23	DJ 1510 18	Sprocket	1	1	
24	30 1510 05	Indicator	1	1	
25	31 1510 30	Collar	1	1	
26	30 1510 78	Coupling	1	1	
27	30 1510 79	Sleeve	1	1	
28	DF 1510 23	Chain	1	1	
29	DX 1510 81	Drive Chain Connecting Link	1	1	



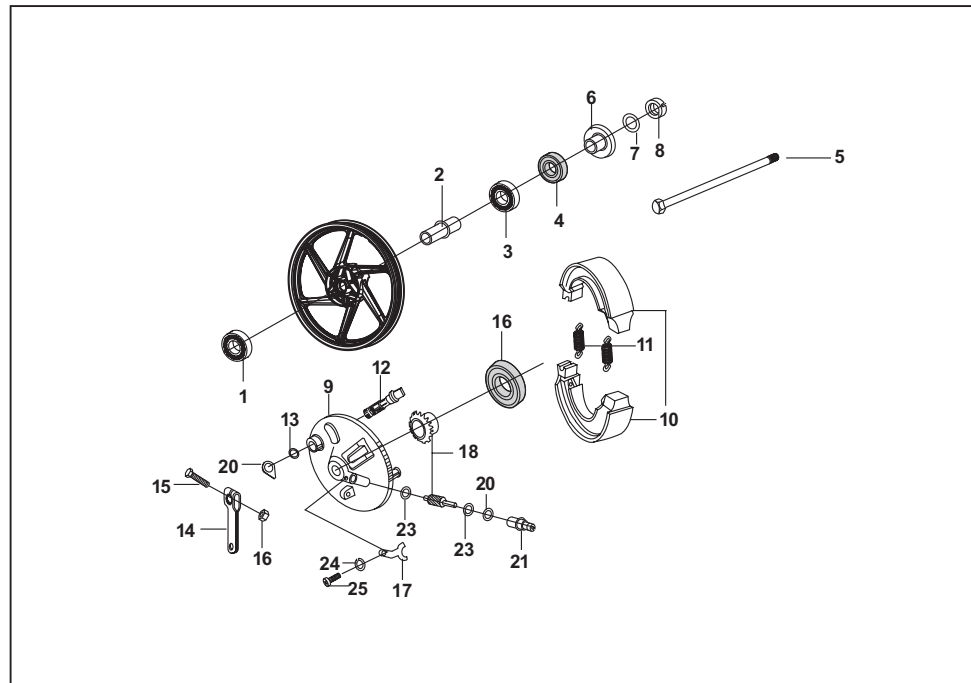
No.	Part No.	Description	Qty/Veh.		Remarks
			CT100 RHL	CT100 THL	
1	36 DU15 05	Chain Sprocket Kit	1	1	Upto Aug.05
	36 DU40 03	Chain Sprocket Kit	1	1	Between Sep.05 to Dec.05
	36 DU40 17	Chain Sprocket Kit	1	1	w.e.f. Jan.06
2	39 0978 04	'D' bolt	4	4	
3	31 15 1029	Washer	2	2	
4	39 0794 15	Nut Hex. Fine	4	4	
5	39 2240 20	Bearing Ball	1	1	
6	39 0798 15	Hex. nut	1	1	
7	36 DU15 06	Rear Wheel Bearing Kit	1	1	Ref. Page No.63
8	39 0988 15	Nut Hex.	1	1	
9	31 1510 26	Collar	1	1	
10	31 15 1021	Shock Damper	4	4	
11	DU 1510 09	Drum Rear	1	1	
12	31 1510 18	Collar Assly.	1	1	
13	30 15 1069	Spring	2	2	
14	31 1510 60	Shoe Brake Assly.	1	1	
15	JB 1312 23	Brake Cam Assly.	1	1	



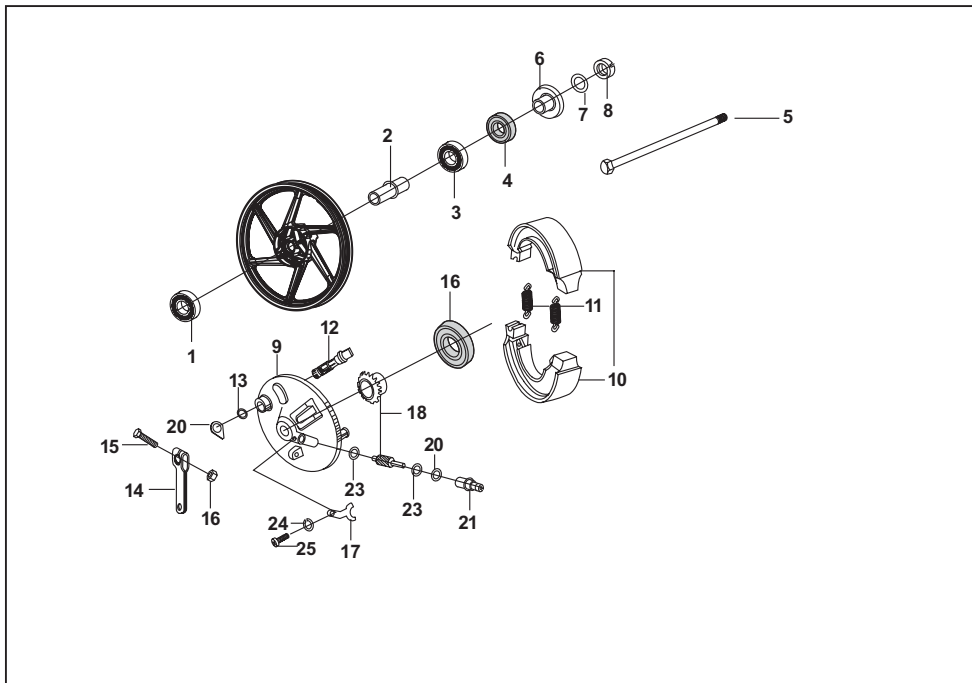
No.	Part No.	Description	Qty/Veh.		Remarks
			CT100 RHL	CT100 THL	
16	31 15 1024	Panel Rear Brake	1	1	
17	30 15 1038	Ring O	1	1	
18	31 15 1037	Lever Brake	1	1	
19	39 0775 04	Bolt	1	1	
20	DU 1510 29	Axle	1	1	
21	39 0714 11	Washer Plain	1	1	
22	DH 1710 19	Nut Castle	1	1	
23	DM 1510 09	Sprocket 47 T	1	1	Upto Dec. 05
	DU 1510 27	Sprocket 42 T	1	1	w.e.f. Jan. 06
24	30 1510 05	Indicator	1	1	
25	31 1510 30	Collar	1	1	
26	31 1510 27	Coupling	1	1	
27	31 1510 28	Sleeve	1	1	
28	DM 1510 05	Chain 114 Link	1	1	Upto Dec. 05
	DF 1510 23	Chain 112 Link	1	1	w.e.f. Jan. 06
29	DX 1510 81	Drive Chain Connecting Link	1	1	



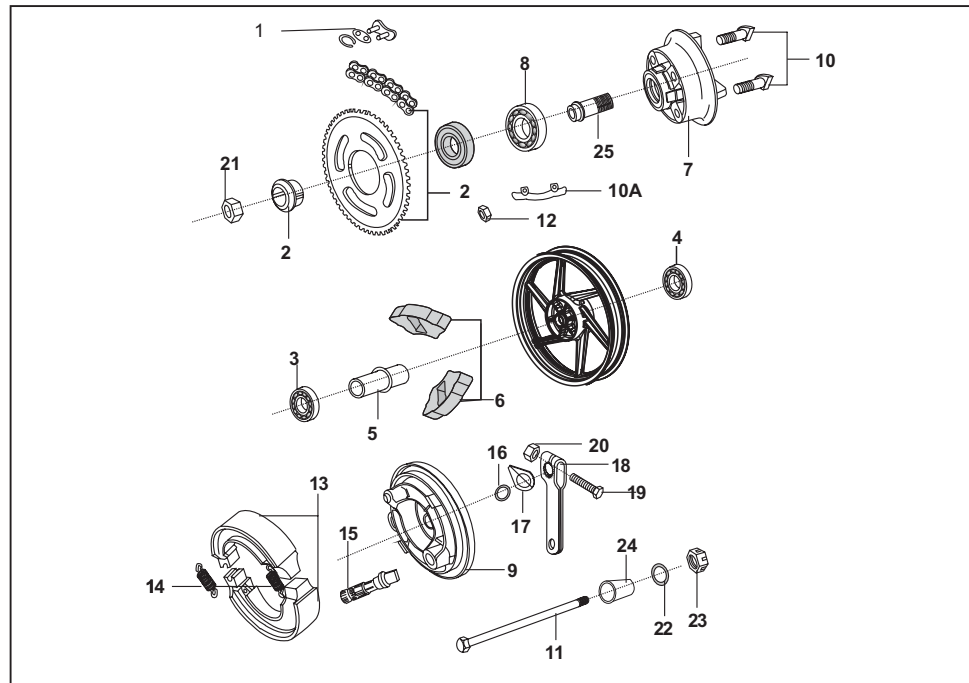
No.	Part No.	Description	Qty/Veh.		Remarks
			CT100 RHL	CT100 THL	
1	JK 1310 26	Wheel Front 1.4X17	-	1	
2	DM 1510 24	Tyre With Tube Front	-	1	
3	DU 1510 34	Wheel Rear 1.6X17	-	1	
4	DM 1510 27	Tyre With Tube Rear	-	1	



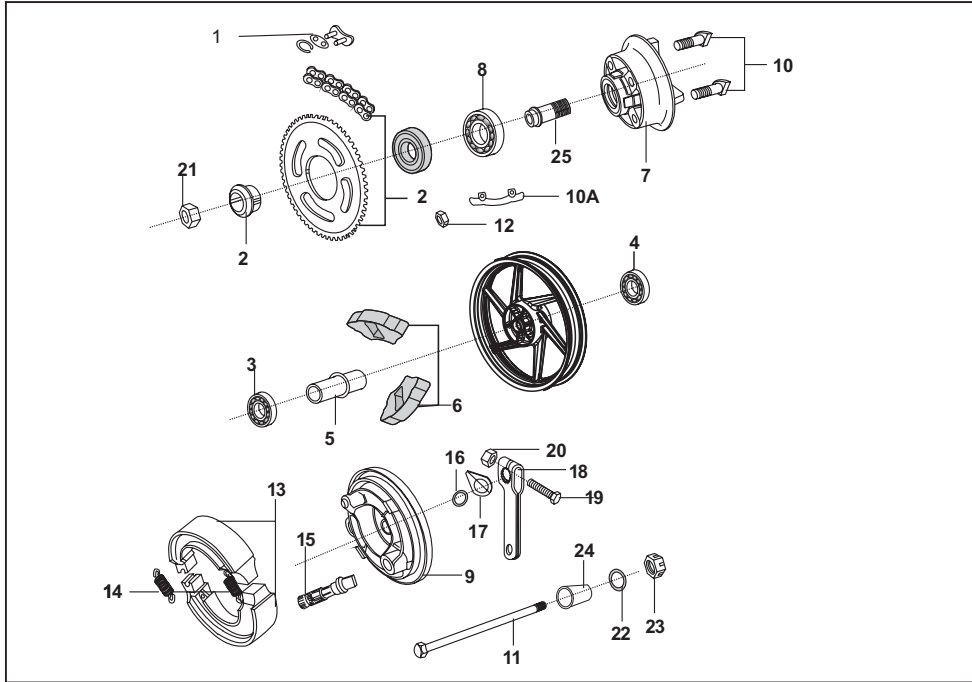
No.	Part No.	Description	Qty/Veh.		Remarks
			CT100 RHL	CT100 THL	
1	39 2681 20	Bearing-Ball-C3 Clearance	1	-	
2	31 1510 04	Collar	1	-	
3	39 2680 20	Bearing-Ball-C3 Clearance	1	-	
4	14 1510 21	Seal - Oil 30 X 17 X 6	1	-	
5	DZ 1510 12	Axle Front	1	-	
6	DU 1510 05	Collar Assly	1	-	
7	39 0248 11	Washer - Plain	1	-	
8	DZ 1510 40	U Nut M10	1	-	
9	DZ 1510 27	Panel Front Brake	1	-	
10	31 1510 07	Shoe Brake	2	-	
11	30 1510 69	Spring	2	-	
12	31 1510 11	Cam Brake	2	-	
13	30 1510 38	O Ring	1	-	
14	DD 1510 08	Lever Brake Cam	2	-	
15	39 0775 04	Hex Head Bolt	1	--	
16	39 0798 15	Flanged Nut	1	-	



No.	Part No.	Description	Qty/Veh.		Remarks
			CT100 RHL	CT100 THL	
17	DD 1510 09	Wear Indicator	1	—	
18	36 DZ00 08	Kit Gear Meter	1	—	Refer Page No. 99
19	31 1510 14	Oil Seal	1	—	
20	39 0242 11	Washer A	2	—	
21	JA 1316 06	Bushing	1	—	
22	30 1511 18	Stopper For Bushing	1	—	
23	39 1013 21	O Ring	1	—	
24	39 0900 12	Washer Spring	1	—	
25	39 0840 01	Screw Pan Cross	1	—	



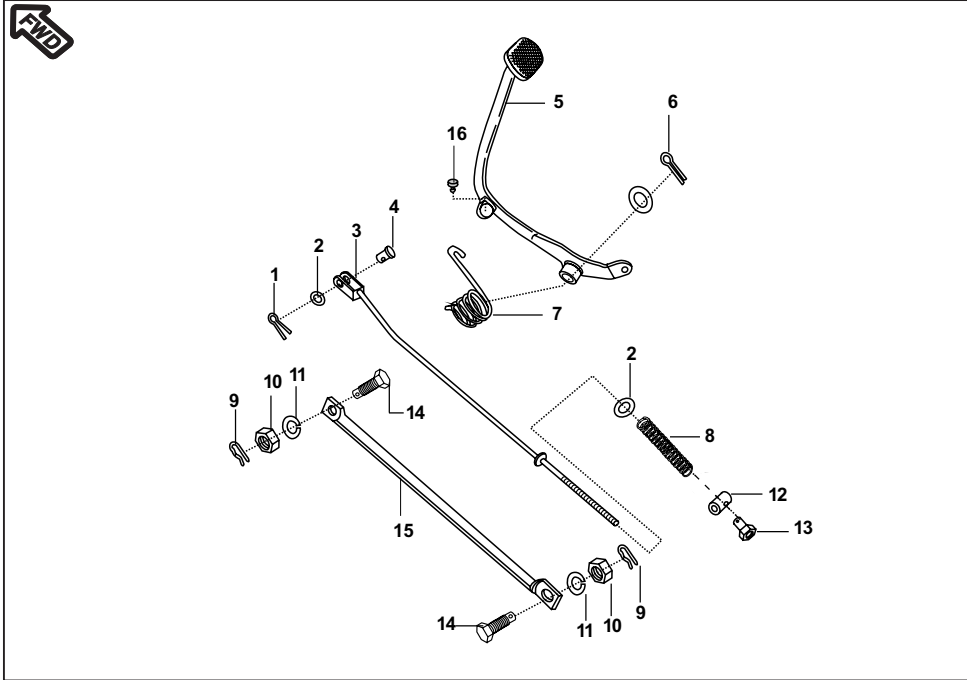
No.	Part No.	Description	Qty/Veh.		Remarks
			CT100 RHL	CT100 THL	
1	DX 1510 81	Drive Chain Lock	1	—	
2	36 DU40 17	Kit Chain Sprocket	1	—	Refer Page No. 100
3	KP BB63 01	Bearing ball C3 Clearance	1	—	
4	KP BB62 01	Bearing ball C3 Clearance	1	—	
5	31 1510 18	Collar-Bearing	1	—	
6	31 1510 21	Coupling Rubber	4	—	
7	DU 1510 10	Coupling	1	—	
8	39 2240 20	Ball Bearing	1	—	
9	DZ 1510 45	Panel Rear Brake	1	—	
10	39 0978 04	D Bolt	4	—	
10A	31 1510 29	Washer	2	—	
11	DU 1510 29	Axle Rear	1	—	
12	39 0794 15	Nut U Flange	4	—	
13	31 1510 07	Shoe Brake Assly	2	—	
14	30 1510 69	Spring	2	—	
15	JB 1312 23	Cam Brake Assly.	1	—	
16	30 1510 38	'O' Ring	1	—	
17	30 1510 05	Wear Indicator	1	—	
18	31 1510 37	Lever Cam Brake	1	—	
19	39 1074 04	Hex Bolt with Flange	1	—	
20	39 0798 15	Flange Nut	1	—	



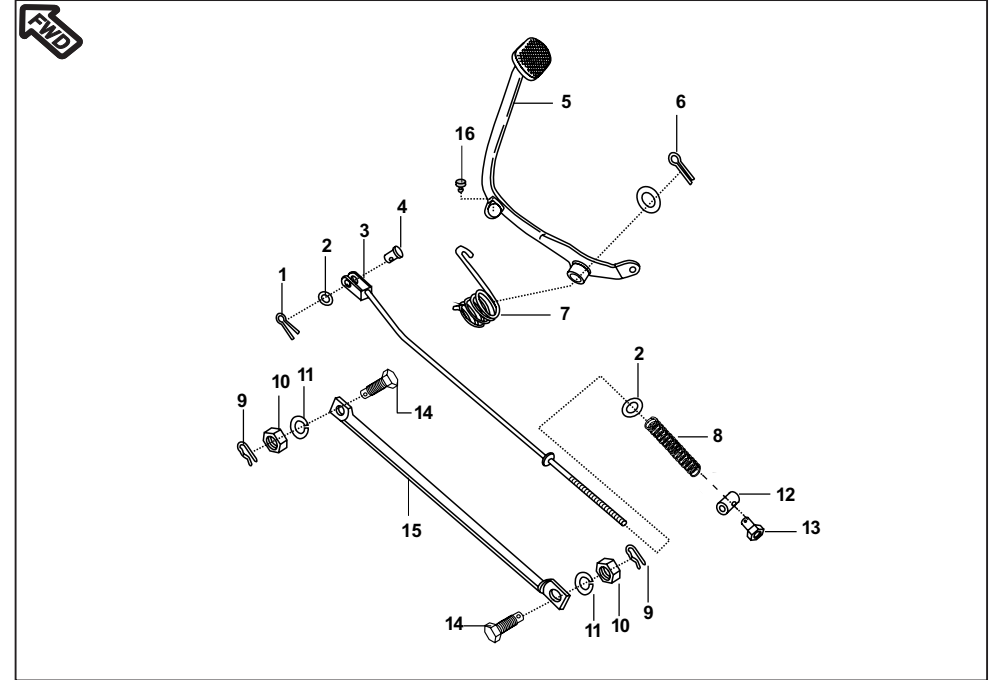
No.	Part No.	Description	Qty/Veh.		Remarks
			CT100 RHL	CT100 THL	
21	39 0988 15	Hexagon Nut M18X1.5P	1	-	
22	39 0714 11	Washer Plain	1	-	
23	59 1500 03	Nut - U M12	1	-	
24	31 1510 26	Collar	1	-	
25	31 1510 28	Sleeve Coupling	1	-	



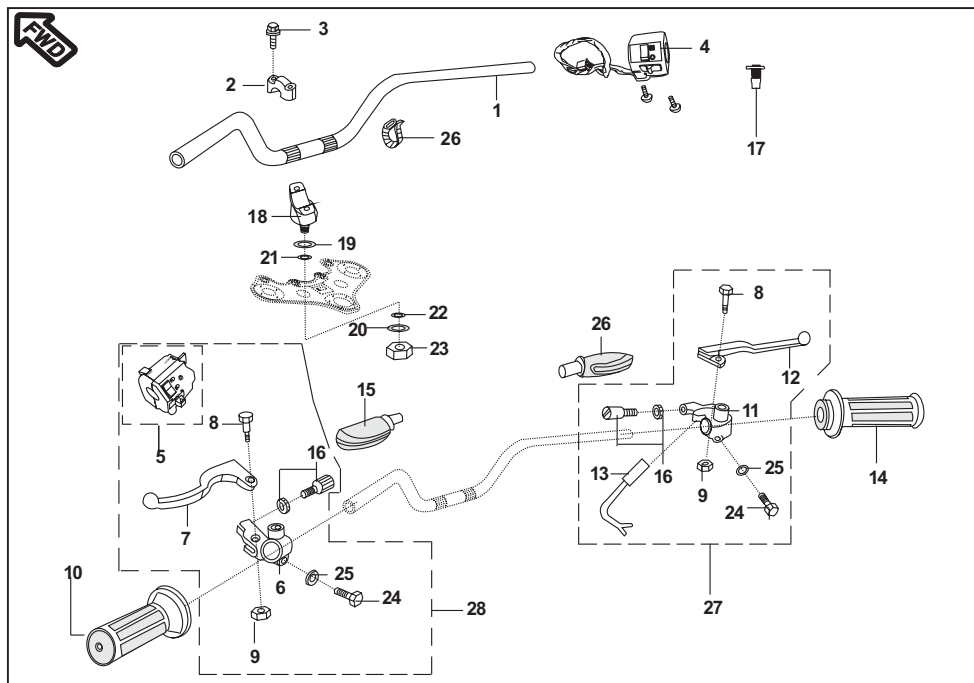
No.	Part No.	Description	Qty/Veh.		Remarks
			CT100 RHL	CT100 THL	



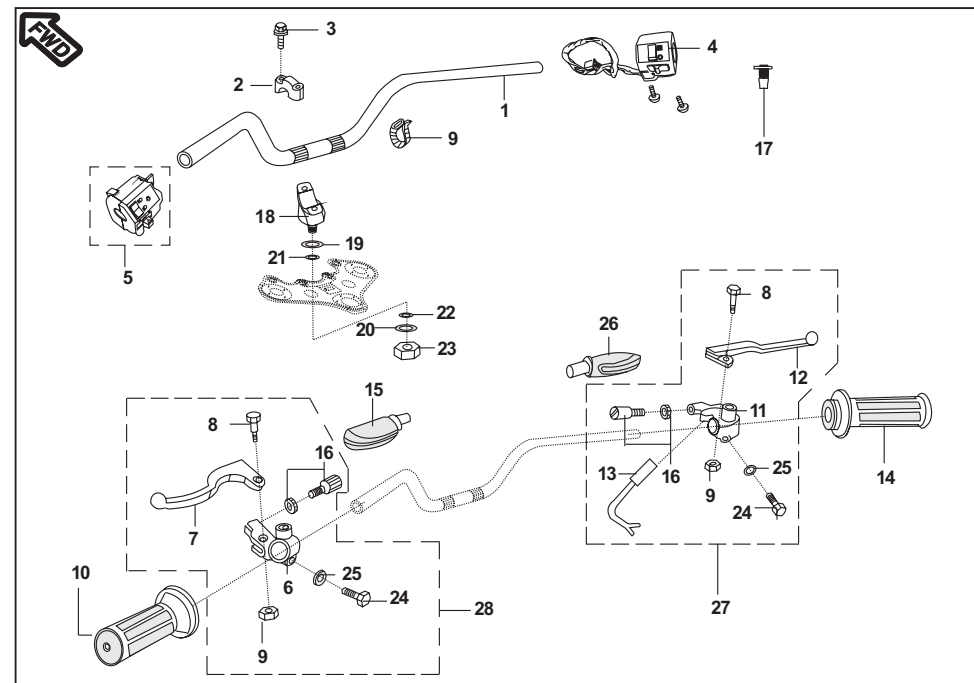
No.	Part No.	Description	Qty/Veh.		Remarks
			CT100 RHL	CT100 THL	
1	39 0808 08	Split pin	1	1	
2	39 0198 11	Plain Washer	2	2	
3	31 1910 16	Rod Brake	1	1	
	DU 1910 30	Rod Brake	--	1	For SNS
4	30 1910 38	Pin	1	1	
5	DZ 1910 04	Lever Brake Tubular	1	1	
6	39 0797 08	Pin Cotter	1	1	
7	30 1910 31	Spring	1	1	
8	30 1910 35	Spring	1	1	
9	39 0807 08	Pin Snap	2	2	
10	39 0708 15	Nut Hex.	2	2	



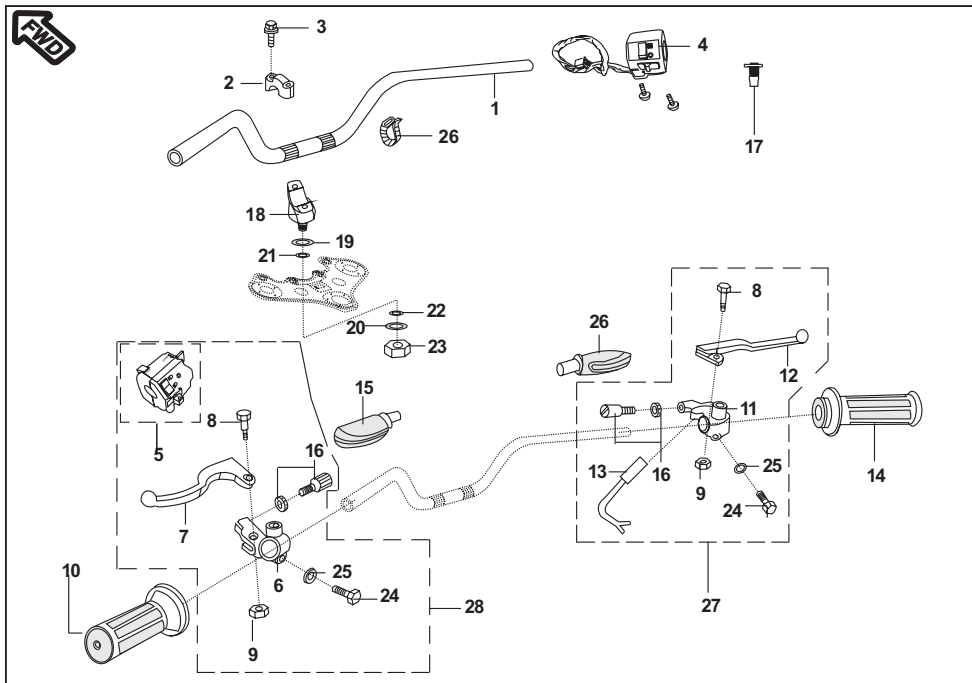
No.	Part No.	Description	Qty/Veh.		Remarks
			CT100 RHL	CT100 THL	
11	39 0789 12	Washer Spring	2	2	
12	30 1910 37	Pin	1	1	
13	30 1910 36	Brake adjusting nut	1	1	
14	30 1510 95	Bolt	2	2	
15	DF 1510 16	Torque rod	1	1	
16	DD 1610 78	Damper	1	1	



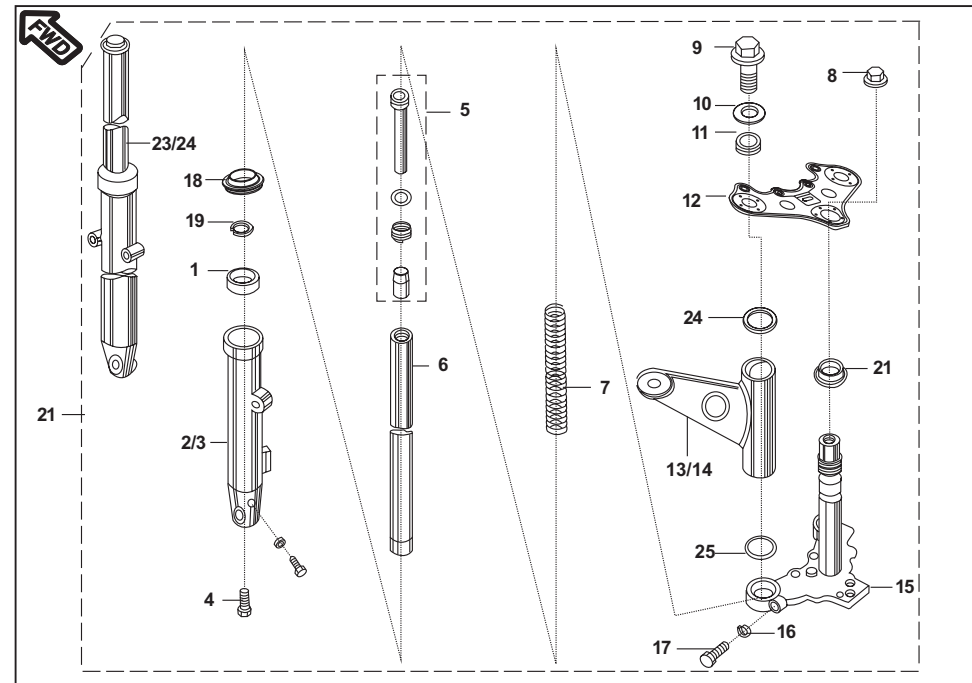
No.	Part No.	Description	Qty/Veh.		Remarks
			CT100 RHL	CT100 THL	
1	DU 1810 21	Handle	1	1	
2	DF 1811 17	Holder Handle Upper	2	2	
	DU 1811 07	Holder Handle Upper	2	2	Ref. Cir. IB-180
3	39 1074 04	Flanged Bolt	4	4	
4	DF 2010 53	Control Switch RH	1	1	
5	DU 1910 34	Control Switch LH	1	1	
6	DL 1910 12	Holder Left hand	1	1	
7	DU 1910 35	Lever grip - Left	1	1	
8	DL 1910 14	Stud Lever handle	2	2	
9	39 1184 15	Nyloc nut	2	2	
10	DF 1910 26	Grip - Left hand	1	1	
11	DF 2010 53	Holder Right hand	1	1	



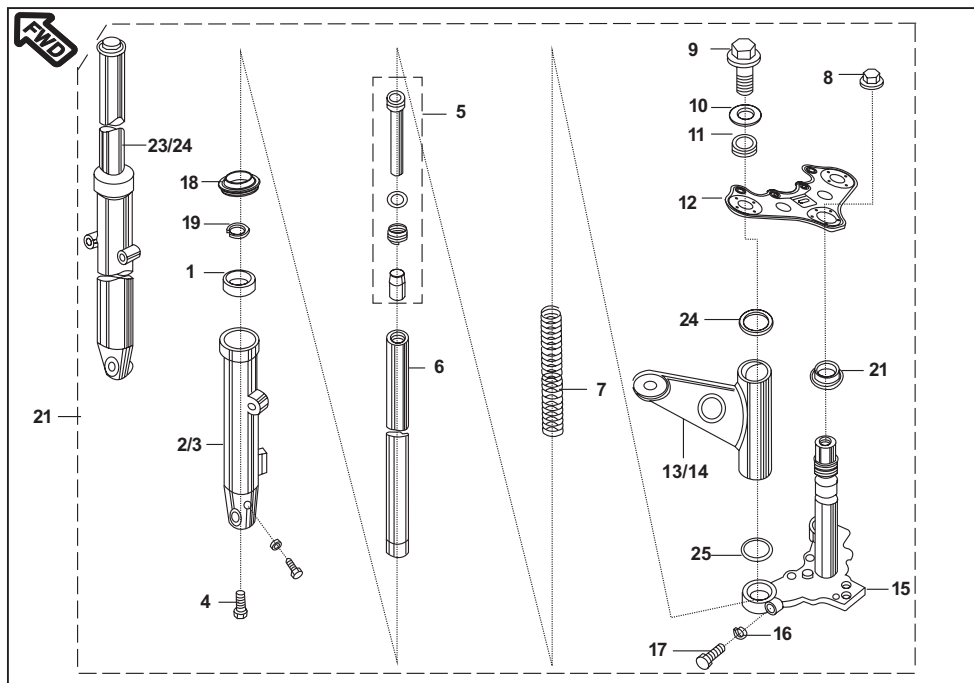
No.	Part No.	Description	Qty/Veh.		Remarks
			CT100 RHL	CT100 THL	
12	DF 1910 66	Lever grip - Right	1	1	
13	DD 2011 70	Front brake switch	1	1	
14	DF 1910 27	Grip assly RH	1	1	
15	DM 1910 14	Boot For Lever LH	1	1	
16	36 DU19 01	Cable Adjuster kit	1	1	Ref. Page No.63
17	DU 2010 46	Plunger with Spring	1	1	
18	FD 1810 31	Holder Handle Lower	2	2	
19	DF 1810 91	Damper Handle Upper	2	2	
20	DF 1810 92	Damper Handle Lower	2	2	
21	FD 1810 19	Washer Plain Upper	2	2	
22	DS 1810 10	Washer Plain Lower	2	2	
23	39 0422 15	Nylock Nut	2	2	
24	39 0725 04	Hex.Bolt	2	2	
25	39 0198 11	Plain Washer	2	2	
26	30 1910 48	Harness Band	2	2	



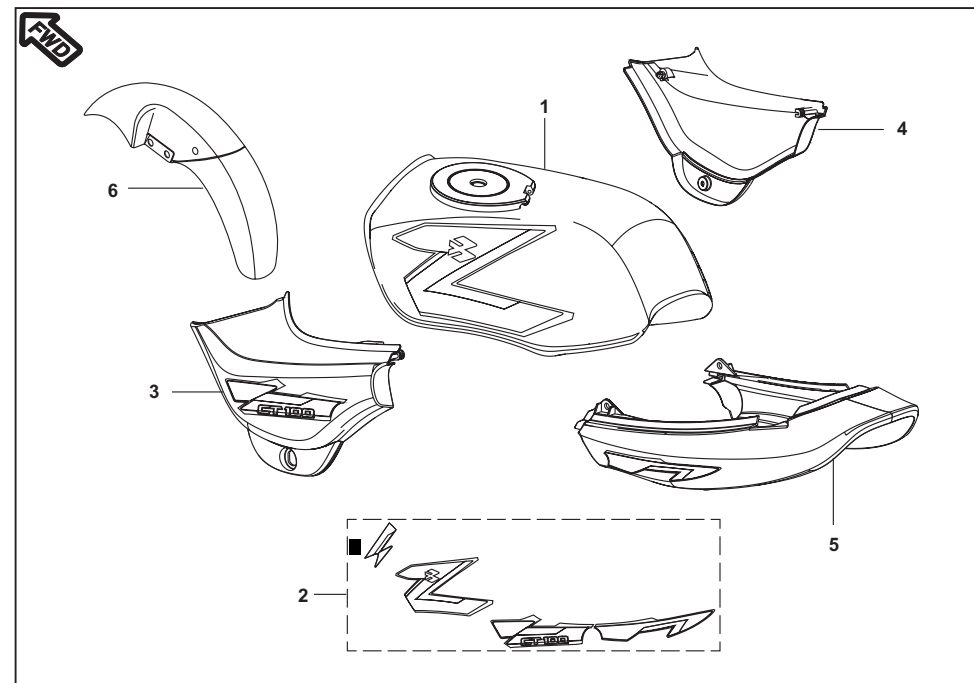
No.	Part No.	Description	Qty/Veh.		Remarks
			CT100 RHL	CT100 THL	
26	DM 1910 15	Boot For Lever RH	--	1	w.e.f. Dec. 05
27	DU 1910 31	Lever Assly. grip RH	--	1	w.e.f. Dec. 05
	DU 1910 45	Lever Assly. grip RH	--	1	Ref. Cir. IB-180
28	DU 1910 33	Lever Assly. grip LH	--	1	w.e.f. Dec. 05
	DU 1910 44	Lever Assly. grip LH	--	1	Ref. Cir. IB-180



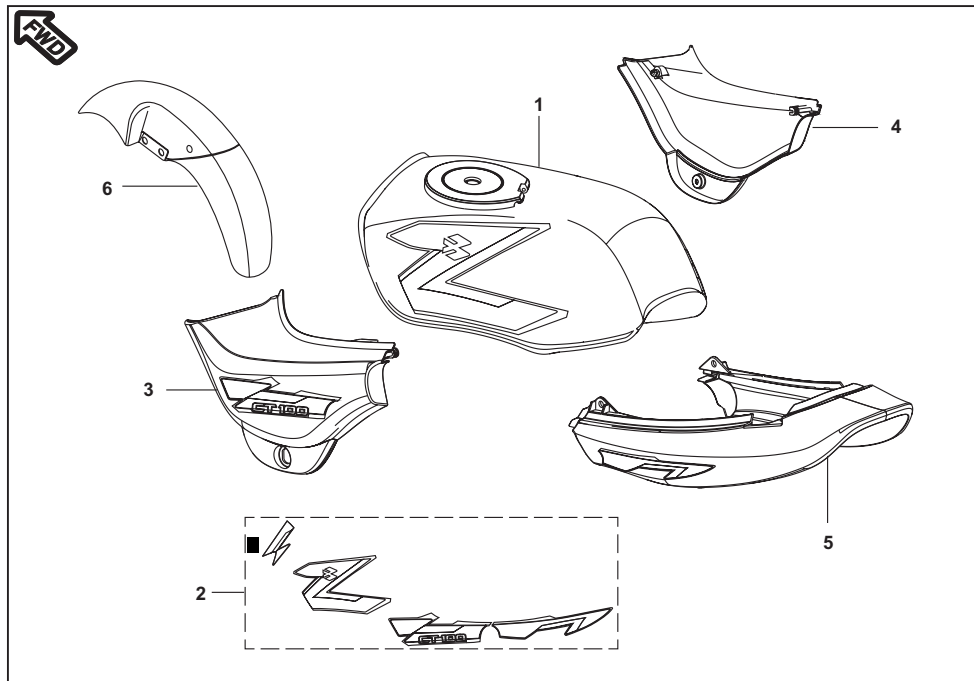
No.	Part No.	Description	Qty/Veh.		Remarks
			CT100 RHL	CT100 THL	
1	DL 1810 80	Seal Oil	1	1	
2	DD 1810 31	Pipe Left Fork Outer	1	1	
3	DD 1810 34	Pipe Right Fork Outer	1	1	
4	31 1811 06	Bolt	2	2	
5	31 1810 15	Cyl. Complete Fork	2	2	
6	DD 1810 29	Pipe Comp. Susp. Inner	2	2	
	DM 1810 36	Pipe Comp. Susp. Inner	2	2	For SNS
7	31 1810 99	Spring Front Fork	2	2	
	DE 1810 31	Spring Front Fork	2	2	For SNS
8	FD 1810 12	Cap Special Nut	1	1	
9	31 1811 20	Bolt Fork	2	2	
10	30 1810 29	Ring 'O'	2	2	
11	DF 1810 85	Seat Fork Spring	2	2	
12	DD 1812 05	Holder Fork Upper	1	1	
13	DM 1810 39	Cover Fork RH	1	--	
14	DM 1810 38	Cover Fork LH	1	--	



No.	Part No.	Description	Qty/Veh.		Remarks
			CT100 RHL	CT100 THL	
15	DD 1812 07	Holder Fork Under	1	1	
16	39 0789 12	Washer Spring	2	2	
17	39 1813 04	Bolt Hex.	2	2	
18	DD 1810 32	Dust seal	2	2	
19	30 1810 23	Ring snap	2	2	
20	DU 1810 67	Front Fork	1	1	
	DU 1810 50	Front Fork	--	1	For SNS N.S
21	36 3140 05	Bearing cone Kit	1	1	
22	DM 1810 29	Damper Assly.LH	1	1	For SNS
23	DM 1810 30	Damper Assly.RH	1	1	For SNS
24	DD 1810 91	Cover Trail Top	2	--	
25	DD 1810 90	Cover Trail Bottom	2	--	
26	36 DZ00 20	Front Fork Oil Seal Kit	1	1	Ref. Page No. 63 N.I.



No.	Part No.	Description	Qty/Veh.		Remarks
			CT100 RHL	CT100 THL	
1	DU 7101 22	Tank fuel with Decal	1	--	Jet Black N.S
	DU 7101 X4	Tank fuel with Decal	1	--	Flame Red
	DU 7101 Y7	Tank fuel with Decal	1	--	Star Blue N.S
	DU 7107 3E	Tank fuel with Decal	1	--	Electron Blue
2	36 DF14 44	Decal Set	1	--	Jet Black N.S
	36 DF14 45	Decal Set	1	--	Flame Red Ref. Page 64
	36 DF14 46	Decal Set	1	--	Star Blue Ref. Pge 64 NS
3	DU 7301 3L	Cover Side LH with Decal	1	--	Jet Black DU161009
	DU 7308 X4	Cover Side LH with Decal	1	--	Flame Red N.S
	DU 7305 Y7	Cover Side LH with Decal	1	--	Star Blue N.S
	DU 7308 3E	Cover Side LH with Decal	1	--	Electron Blue



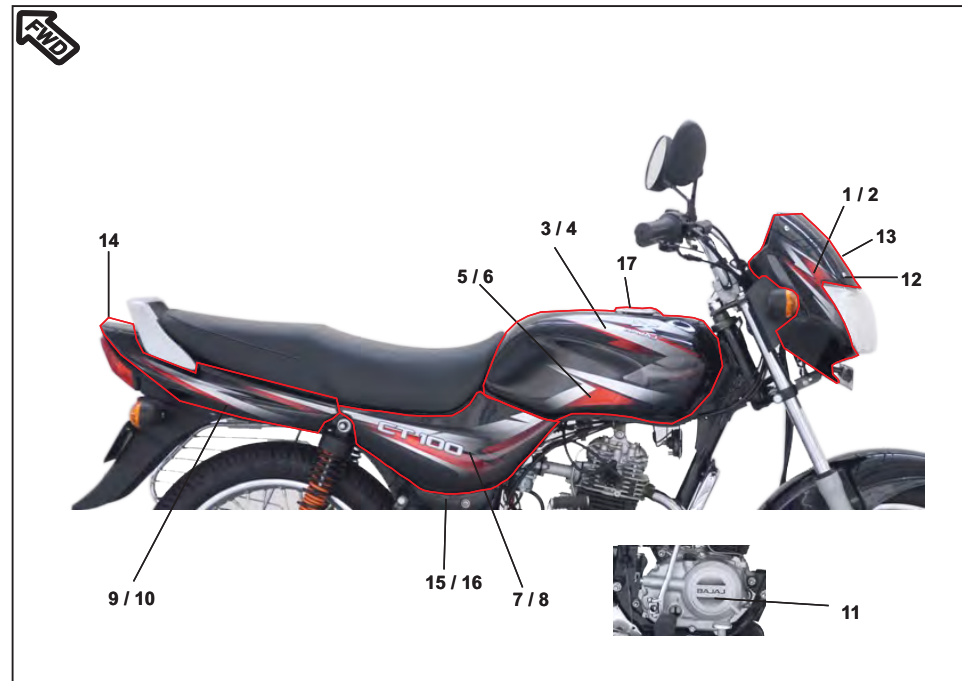
No.	Part No.	Description	Qty/Veh.		Remarks
			CT100 RHL	CT100 THL	
3	DU 7306 22	Cover Side RH with Decal	1	--	Jet Black N.S
	DU 7306 X4	Cover Side RH with Decal	1	--	Flame Red N.S
	DU 7306 Y7	Cover Side RH with Decal	1	--	Star Blue
	DU 7309 3E	Cover Side RH with Decal	1	--	Electron Blue
	DU 1612 20	Cover Side RH with Decal	1	--	Black Red
4	DU 7303 3L	Cover Seat with Decal	1	--	Jet Black
	DU 7303 X4	Cover Seat with Decal	1	--	Flame Red N.S
	DU 7303 Y7	Cover Seat with Decal	1	--	Star Blue
	DU 7303 3E	Cover Seat with Decal	1	--	Electron Blue
5	52 DU02 89	Fender Front	1	--	Jet Black
	DD 1613 69	Fender Front	1	--	Flame Red
	DD 7301 Y7	Fender Front	1	--	Star Blue
	DU 7307 3E	Fender Front	1	--	Electron Blue



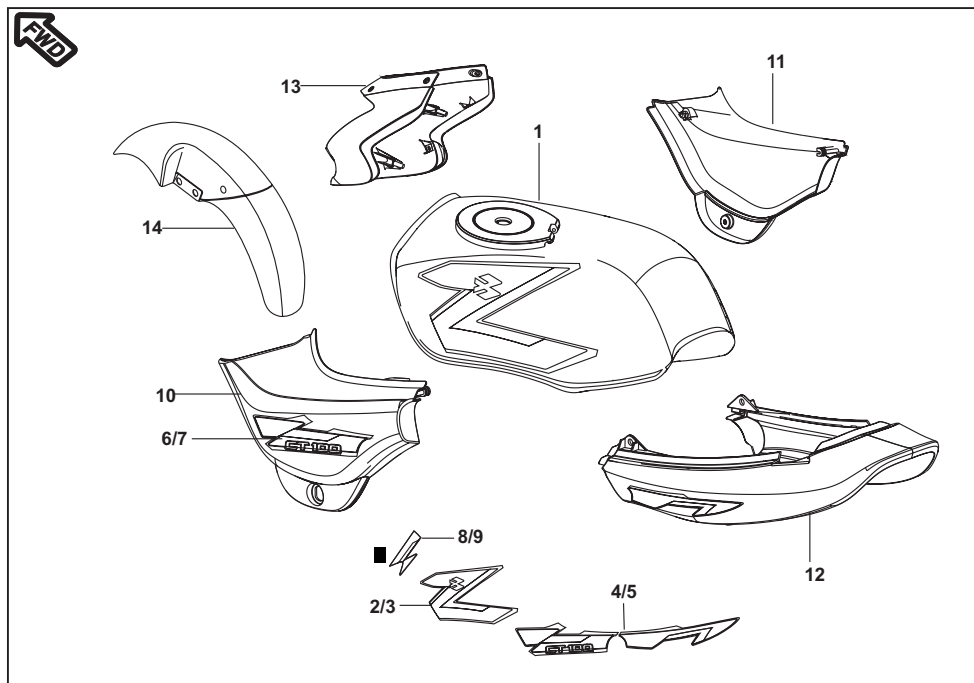
No.	Part No.	Description	Qty/Veh.		Remarks
			CT100 RHL	CT100 THL	
1	DU 1810 89	Cowling Decal LH	-	1	Black Red
	DU 1810 91	Cowling Decal LH	-	1	Flame Red
	DU 1810 93	Cowling Decal LH	-	1	Electron Blue
	DU 1810 96	Cowling Decal LH	-	1	Black Blue
2	DU 1810 90	Cowling Decal RH	-	1	Black Red
	DU 1810 92	Cowling Decal RH	-	1	Flame Red
	DU 1810 94	Cowling Decal RH	-	1	Electron Blue
	DU 1810 97	Cowling Decal RH	-	1	Black Blue
3	DU 1412 32	Tank Decal Upper LH	-	1	Black Red
	DU 1412 36	Tank Decal Upper LH	-	1	Flame Red
	DU 1412 40	Tank Decal Upper LH	-	1	Electron Blue
	DU 1412 44	Tank Decal Upper LH	-	1	Black Blue
4	DU 1412 33	Tank Decal Upper RH	-	1	Black Red
	DU 1412 37	Tank Decal Upper RH	-	1	Flame Red
	DU 1412 41	Tank Decal Upper RH	-	1	Electron Blue
	DU 1412 45	Tank Decal Upper RH	-	1	Black Blue
5	DU 1412 34	Tank Decal Lower LH	-	1	Black Red
	DU 1412 38	Tank Decal Lower LH	-	1	Flame Red
	DU 1412 42	Tank Decal Lower LH	-	1	Electron Blue
	DU 1412 46	Tank Decal Lower LH	-	1	Black Blue



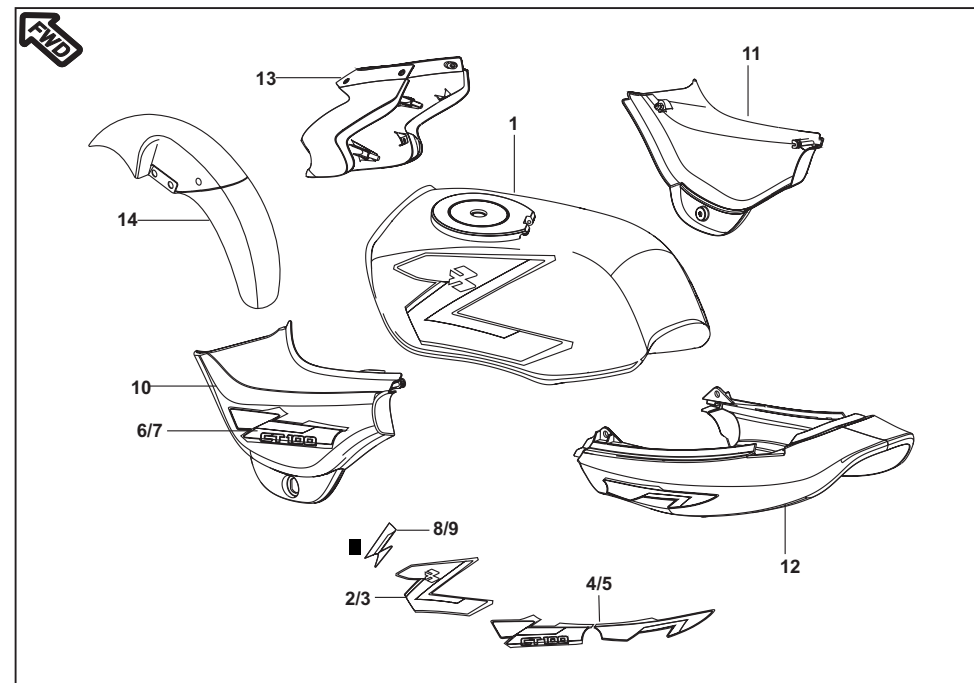
No.	Part No.	Description	Qty/Veh.		Remarks
			CT100 RHL	CT100 THL	
6	DU 1412 35	Tank Decal Lower RH	-	1	Black Red
	DU 1412 39	Tank Decal Lower RH	-	1	Flame Red
	DU 1412 43	Tank Decal Lower RH	-	1	Electron Blue
	DU 1412 47	Tank Decal Lower RH	-	1	Black Blue
7	DU 1612 19	Cover Side Decal LH	-	1	Black Red
	DU 1612 21	Cover Side Decal LH	-	1	Flame Red
	DU 1612 23	Cover Side Decal LH	-	1	Electron Blue
	DU 1612 31	Cover Side Decal LH	-	1	Black Blue
8	DU 1612 20	Cover Side Decal RH	-	1	Black Red
	DU 1612 22	Cover Side Decal RH	-	1	Flame Red
	DU 1612 24	Cover Side Decal RH	-	1	Electron Blue
	DU 1612 32	Cover Side Decal RH	-	1	Black Blue
9	DU 1612 25	Cover Seat Decal LH	-	1	Black Red
	DU 1612 27	Cover Seat Decal LH	-	1	Flame Red
	DU 1612 29	Cover Seat Decal LH	-	1	Electron Blue
	DU 1612 33	Cover Seat Decal LH	-	1	Black Blue
10	DU 1612 26	Cover Seat Decal LH	-	1	Black Red
	DU 1612 28	Cover Seat Decal LH	-	1	Flame Red
	DU 1612 30	Cover Seat Decal LH	-	1	Electron Blue
	DU 1612 33	Cover Seat Decal LH	-	1	Black Blue
11	DU 1012 32	Engine Decal	-	1	For all colors
12	DD 1812 52	Cowling Bajaj B Logo	-	1	For all colors



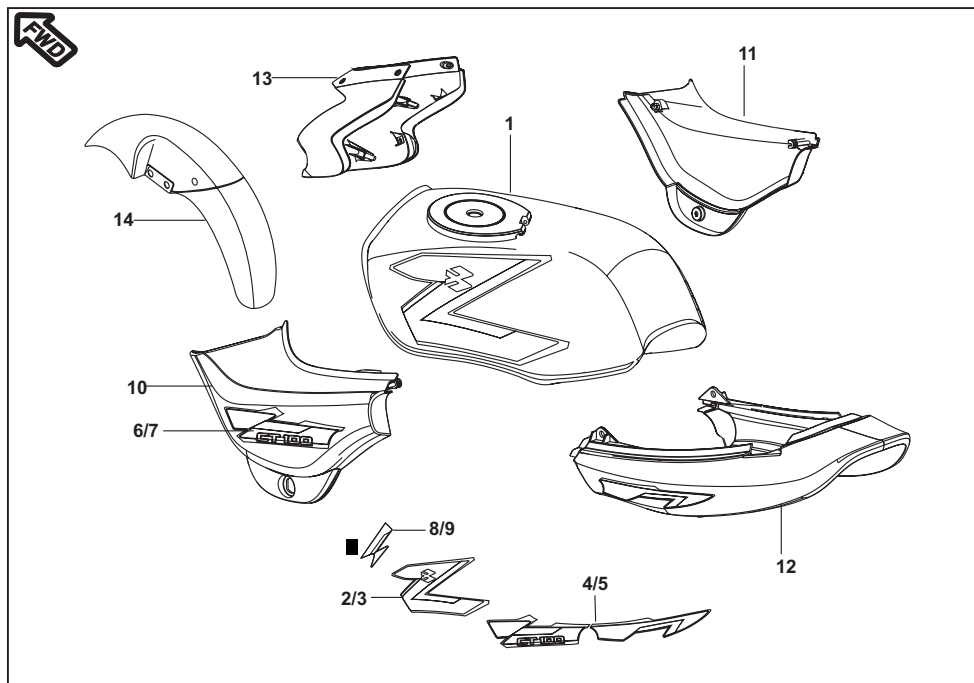
No.	Part No.	Description	Qty/Veh.		Remarks
			CT100 RHL	CT100 THL	
13	52 DU05 75	Cowling With Decal	-	1	Black Red
	52 DU05 76	Cowling With Decal	-	1	Flame Red
	52 DU05 77	Cowling With Decal	-	1	Electron Blue
14	52 DU05 78	Cowling With Decal	-	1	Black Blue
	52 DU05 79	Seat Cowl With Decal	-	1	Black Red
	52 DU05 80	Seat Cowl With Decal	-	1	Flame Red
	52 DU05 81	Seat Cowl With Decal	-	1	Electron Blue
15	52 DU05 82	Seat Cowl With Decal	-	1	Black Blue
	52 DU05 83	Side Cover LH With Decal	-	1	Black Red
	52 DU05 84	Side Cover LH With Decal	-	1	Flame Red
	52 DU05 85	Side Cover LH With Decal	-	1	Electron Blue
16	52 DU05 86	Side Cover LH With Decal	-	1	Black Blue
	52 DU05 87	Side Cover RH With Decal	-	1	Black Red
	52 DU05 88	Side Cover RH With Decal	-	1	Flame Red
	52 DU05 89	Side Cover RH With Decal	-	1	Electron Blue
17	52 DU05 90	Side Cover RH With Decal	-	1	Black Blue
	52 DU05 91	Fuel Tank With Decal	-	1	Black Red
	52 DU05 92	Fuel Tank With Decal	-	1	Flame Red
	52 DU05 93	Fuel Tank With Decal	-	1	Electron Blue
	52 DU05 94	Fuel Tank With Decal	-	1	Black Blue



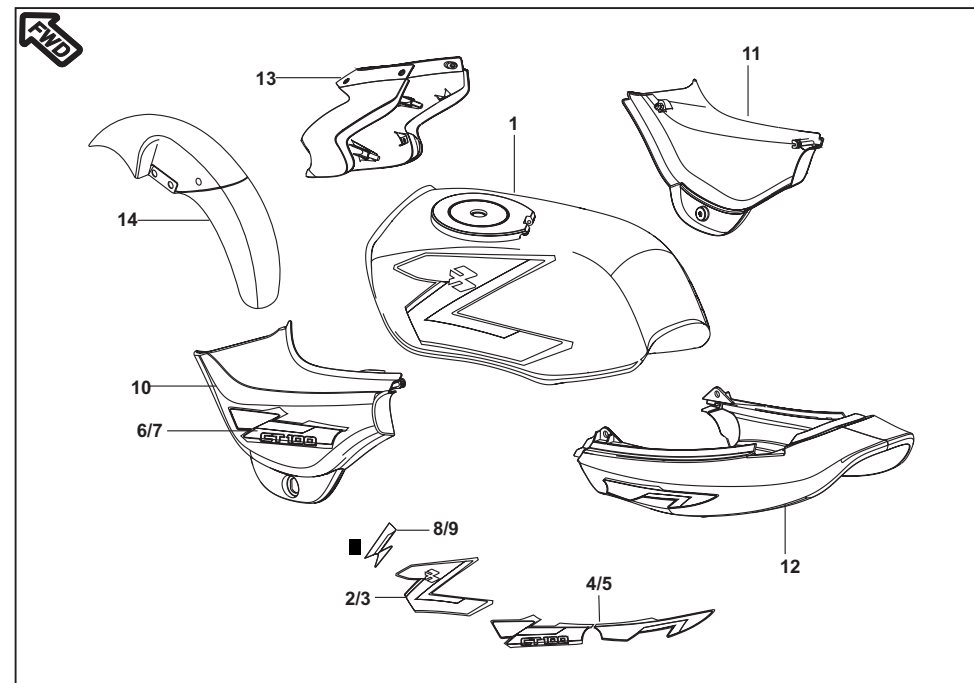
No.	Part No.	Description	Qty/Veh.		Remarks
			CT100 RHL	CT100 THL	
1	DU 7105 Y7	Fuel Tank Start Blue with Decal	--	1	(W/o Fuel Gauge) N.S
	DU 7105 X4	Fuel Tank Flame Red with Decal	--	1	(W/o Fuel Gauge) N.S
	DU 7101 3J	Fuel Tank Jet Black Red Decal	--	1	(W/o Fuel Gauge)
	DU 7101 3H	Fuel Tank Jet Black Blue Decal	--	1	(W/o Fuel Gauge)
	DU 7101 3L	Fuel Tank Jet Black Grey Decal	--	1	(W/o Fuel Gauge) N.S
2	DU 1410 78	Tank Decal LH	1	1	Blue Decal Jet Black Veh
	DU 1410 80	Tank Decal LH	1	1	Red Dcl Jet Bck Veh
	DU 1410 82	Tank Decal LH	1	1	Gray Dcl Jet BlackVeh
	DU 1410 86	Tank Decal LH	1	1	Blue Decal Star Blue Veh
	DU 1410 88	Tank Decal LH	1	1	Red Decal F Red Veh
3	DU 1410 79	Tank Decal RH	1	1	Blue Dcl Jet Bck Veh
	DU 1410 81	Tank Decal RH	1	1	Red Dcl Jet Bck Veh
	DU 1410 83	Tank Decal RH	1	1	Gray Dcl Jet Bck Veh



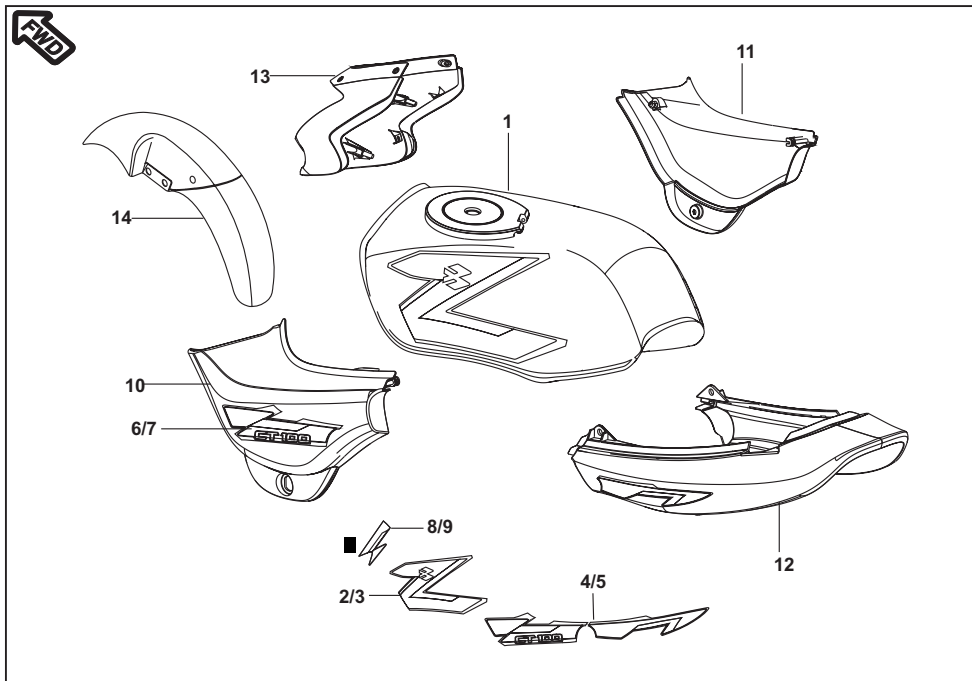
No.	Part No.	Description	Qty/Veh.		Remarks
			CT100 RHL	CT100 THL	
	DU 1410 87	Tank Decal RH	1	1	Blue Decal Star Blue Veh
	DU 1410 89	Tank Decal RH	1	1	Red Decal F Red Veh
4	DU 1611 62	Seat Cover Decal LH	1	1	Blue Decal Jet Black Veh
	DU 1611 66	Seat Cover Decal LH	1	1	Red Dcl Jet Bck Veh NS
	DU 1611 70	Seat Cover Decal LH	1	1	Gray Decal Jet Black Veh
	DU 1611 78	Seat Cover Decal LH	1	1	Blue Decal Star Blue Veh
	DU 1611 82	Seat Cover Decal LH	1	1	Red Decal F Red Veh
5	DU 1611 63	Seat Cover Decal RH	1	1	Blue Dcl Jet Bck Veh
	DU 1611 67	Seat Cover Decal RH	1	1	Red Dcl Jet Bck Veh
	DU 1611 71	Seat Cover Decal RH	1	1	Gray Dcl Jet Bck Veh
	DU 1611 79	Seat Cover Decal RH	1	1	Blue Decal Star Blue Veh
	DU 1611 83	Seat Cover Decal RH	1	1	Red Decal F Red Veh



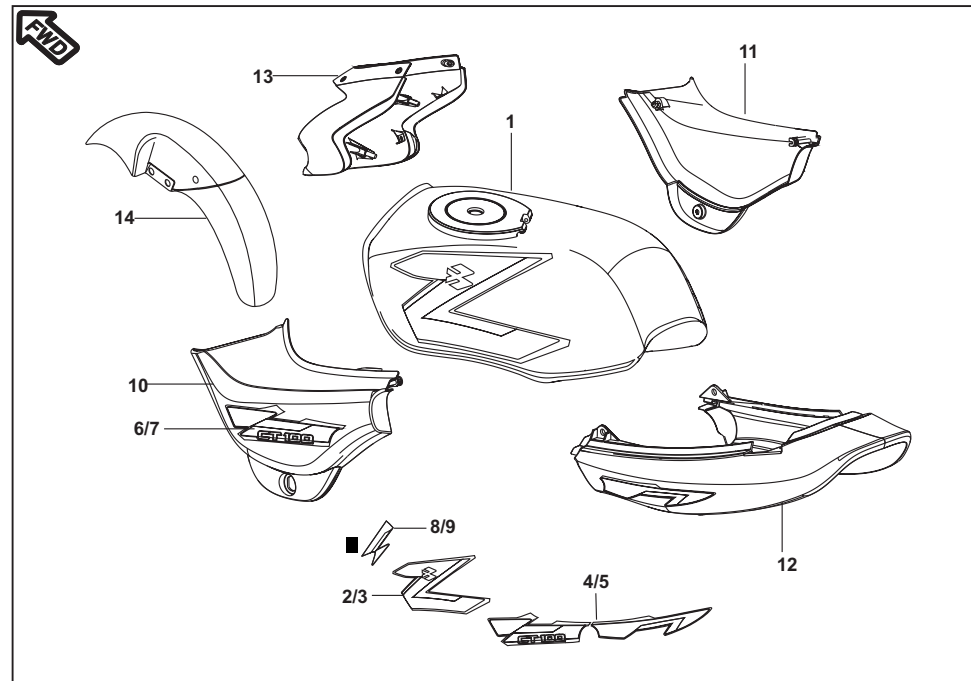
No.	Part No.	Description	Qty/Veh.		Remarks
			CT100 RHL	CT100 THL	
6	DU 1611 60	Side Cover Decal LH	1	1	Blue Decal Jet Black Veh
	DU 1611 64	Side Cover Decal LH	1	1	Red Decal Jet Black Veh
	DU 1611 68	Side Cover Decal LH	1	1	Gray Dcl Jet Black Veh
	DU 1611 76	Side Cover Decal LH	1	1	Blue Decal Star Blue Veh
	DU 1611 80	Side Cover Decal LH	1	1	Red Decal F Red Veh
7	DU 1611 61	Side Cover Decal RH	1	1	Blue Decal Jet Black Veh
	DU 1611 65	Side Cover Decal RH	1	1	Red Decal Jet Black Veh
	DU 1611 69	Side Cover Decal RH	1	1	Gray Decal Jet Black Veh
	DU 1611 77	Side Cover Decal RH	1	1	Blue Decal Star Blue Veh
	DU 1611 81	Side Cover Decal RH	1	1	Red Decal F Red Veh
8	DU 1810 71	Fairing Decal LH	--	1	Blue Decal Jet Black Veh
	DU 1810 73	Fairing Decal LH	--	1	Red Decal Jet Black Veh
	DU 1810 77	Fairing Decal LH	--	1	Gray Decal Jet Black Veh
	DU 1810 81	Fairing Decal LH	--	1	Blue Decal Star Blue Veh
	DU 1810 83	Fairing Decal LH	--	1	Red Decal F Red Veh
9	DU 1810 72	Fairing Decal RH	--	1	Blue Decal Jet Black Veh
	DU 1810 74	Fairing Decal RH	--	1	Red Decal Jet Black Veh
	DU 1810 78	Fairing Decal RH	--	1	ray Decal Jet Black Veh



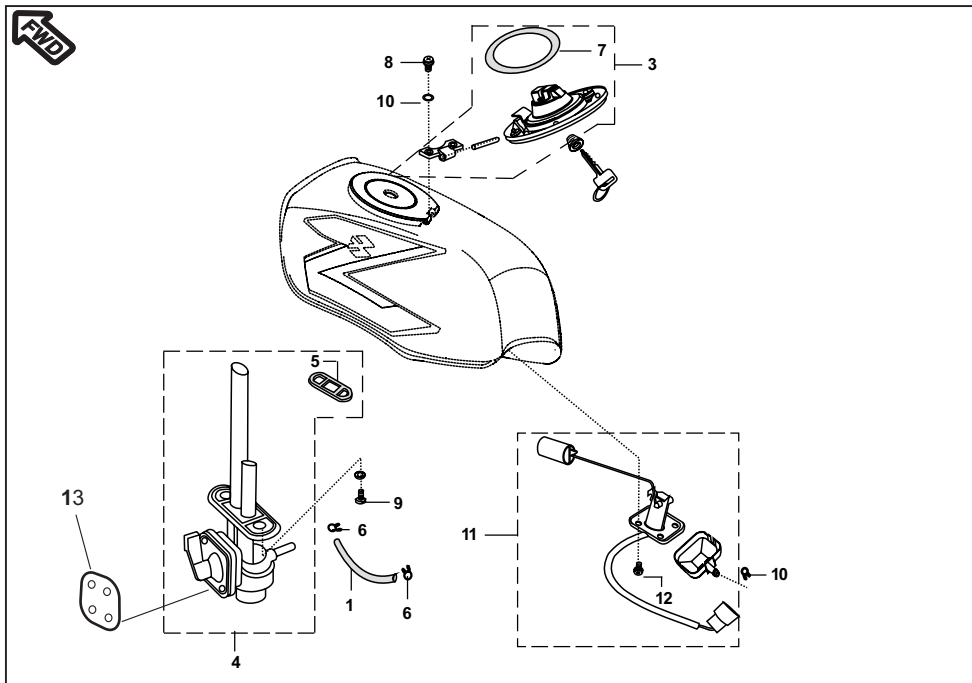
No.	Part No.	Description	Qty/Veh.		Remarks
			CT100 RHL	CT100 THL	
	DU 1810 82	Fairing Decal RH	--	1	Blue Decal Star Blue Veh
	DU 1810 84	Fairing Decal RH	--	1	Red Decal F Red Veh
10	DU 7308 Y7	Side Cover LH with Decal	-	1	Star Blue N.S
	DU 7308 X4	Side Cover LH with Decal	-	1	Flame Red N.S
	DU 7301 3J	Side Cover LH with Decal	-	1	Jet Black Red Decal N.S
	DU 7301 3H	Side Cover LH with Decal	-	1	Jet Black Blue Decal
11	DU 7309 Y7	Side Cover RH with Decal	-	1	Star Blue N.S
	DU 7309 X4	Side Cover RH with Decal	-	1	Flame Red N.S
	DU 7302 3J	Side Cover RH with Decal	-	1	Jet Black Red Decal N.S
	DU 7302 3H	Side Cover RH with Decal	-	1	Jet Black Blue Decal
	DU 7302 3L	Side Cover RH with Decal	-	1	Jet Black Grey Decal



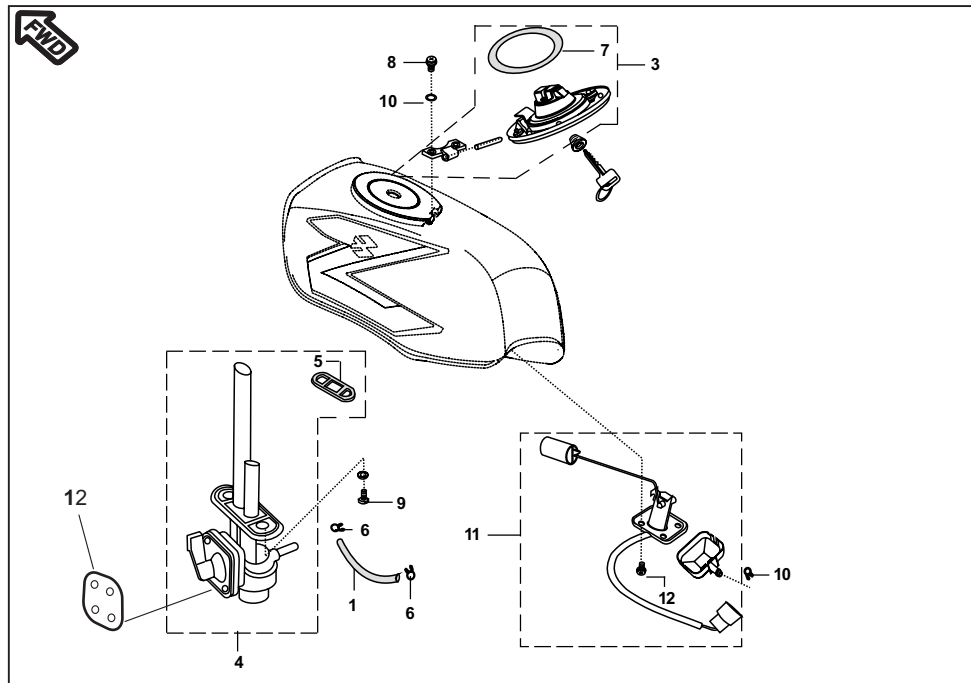
No.	Part No.	Description	Qty/Veh.		Remarks
			CT100 RHL	CT100 THL	
12	DU 7310 Y7	Seat Cowl with Decal	-	1	Star Blue N.S
	DU 7310 X4	Seat Cowl with Decal	-	1	Flame Red
	DU 7303 3J	Seat Cowl with Decal	-	1	Jet Black Red Decal N.S
	DU 7303 3H	Seat Cowl with Decal	-	1	Jet Black Blue Decal N.S
	DU 7303 3L	Seat Cowl with Decal	-	1	Jet Black Grey Decal
13	DU 7402 Y7	Fairing with Decal	-	1	Star Blue N.S
	DU 7402 X4	Fairing with Decal	-	1	Flame Red
	DU 7401 3J	Fairing with Decal	-	1	Jet Black Red Decal
	DU 7401 3H	Fairing with Decal	-	1	Jet Black Blue Decal
	DU 7401 3L	Fairing with Decal	-	1	Jet Black Grey Decal



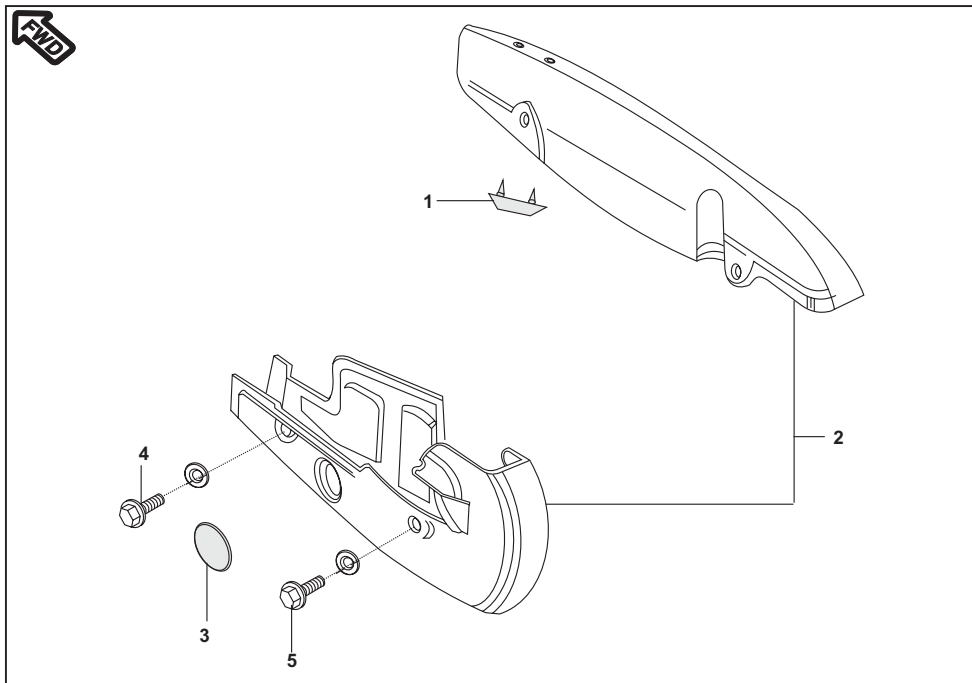
No.	Part No.	Description	Qty/Veh.		Remarks
			CT100 RHL	CT100 THL	
14	52 DU02 91	Fender	-	1	Star Blue N.S
	52 DU02 90	Fender	-	1	Flame Red
	52 DU02 89	Fender	-	1	Jet Black Red Decal
	52 DU02 89	Fender	-	1	Jet Black Blue Decal
	52 DU02 89	Fender	-	1	Jet Black Grey Decal



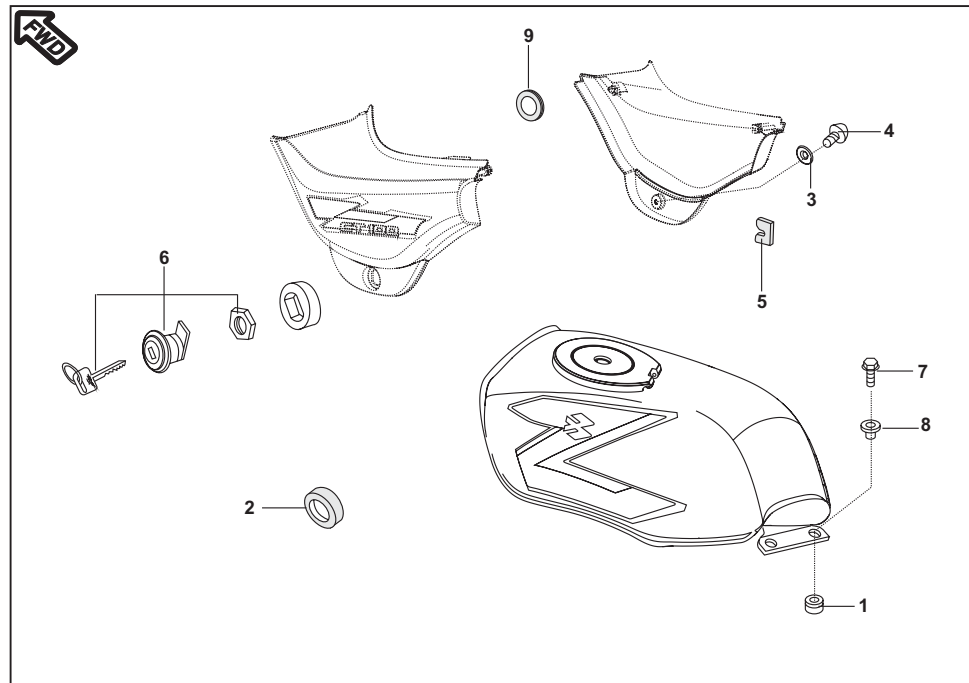
No.	Part No.	Description	Qty/Veh.		Remarks
			CT100 RHL	CT100 THL	
1	DU 1410 41	Tube Fuel	1	1	
2	DU 1810 32	Lock Assly. 3 IN 1	1	--	(N.I.)
	DU 1810 28	Lock Assly. 3 IN 1	--	1	(N.I.)
	DF 1810 43	Lock Assly. 3 IN 1	1	--	
3	DU 1410 61	Cap Assly. Tank	1	1	
4	DU 1410 95	Tap Assly.	1	1	
5	30 1410 39	Packing For Tap	1	1	
6	33 1410 08	Clamp Tube	2	2	
7	30 1410 52	Packing (For Cap)	1	1	
8	39 0761 01	Screw Pan Cross	2	2	
9	DD 1412 27	Bolt Flanged	2	2	
10	30 1410 31	O Ring	2	2	



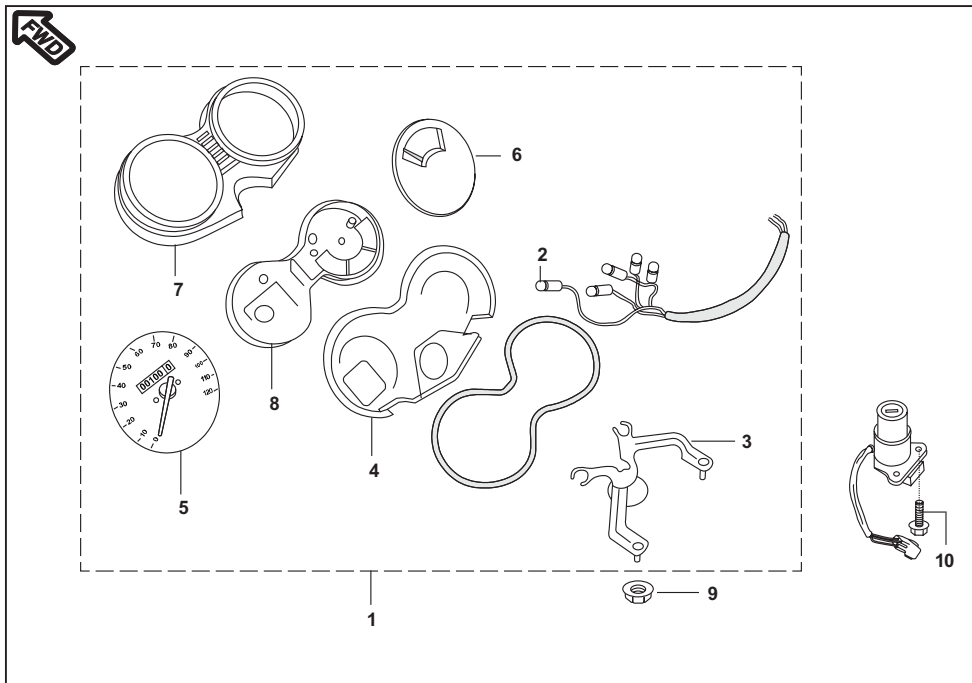
No.	Part No.	Description	Qty/Veh.		Remarks
			CT100 RHL	CT100 THL	
11	DD 2011 68	Gauge Fuel	1	1	
	DU 2010 70	Gauge Fuel (For 4 Stud Mtg.)	1	1	Alt. DU201059
12	30 1410 32	Bolt	4	4	
13	DZ 1410 75	Gasket 4 hole	1	1	



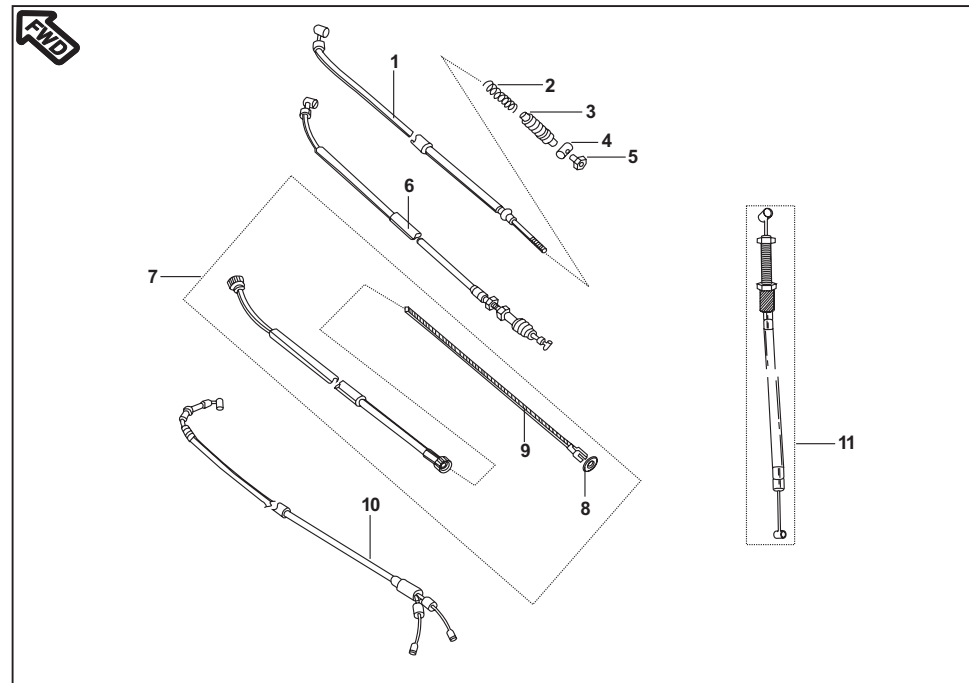
No.	Part No.	Description	Qty/Veh.		Remarks
			CT100 RHL	CT100 THL	
1	52 DM01 59	Chain Case	1	1	
2	36 DU40 04	Case Chain Kit	1	1	
3	DF1614 16	Rubber Cap	1	1	
4	39 2475 04	Flanged Bolt	2	2	
5	39 2473 04	Flanged Bolt	2	2	



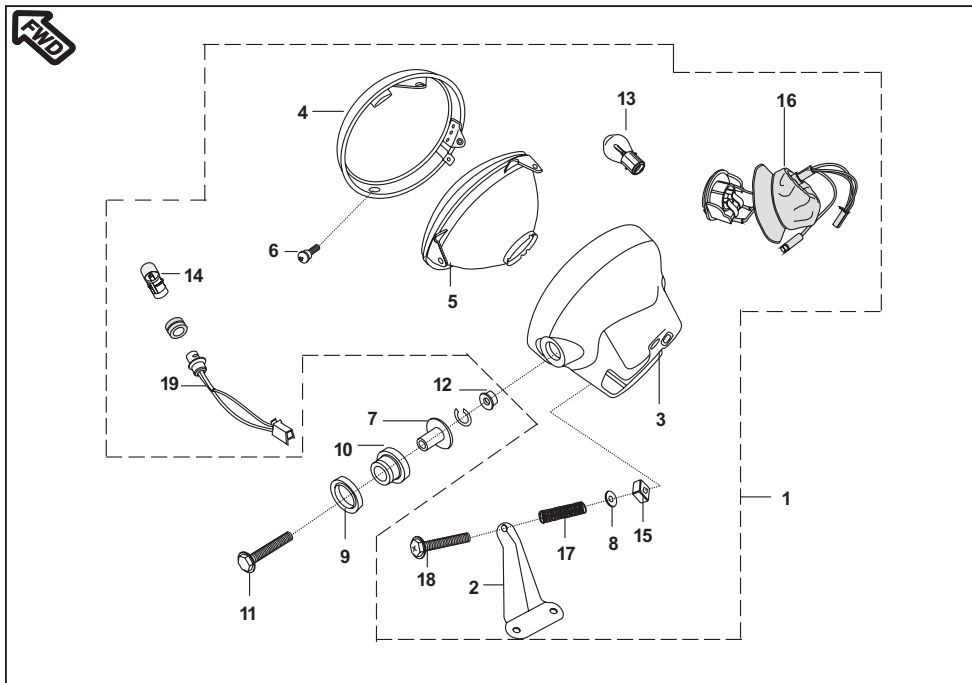
No.	Part No.	Description	Qty/Veh.		Remarks
			CT100 RHL	CT100 THL	
1	DG 1410 19	Damper	2	2	
2	30 1611 69	Damper side cover mtg.	2	2	
3	39 1789 24	Washer Nylon	1	1	
4	DG 1611 21	Screw	1	1	
5	31 1610 18	Damper	1	1	
6	DU 1810 32	Lock set assly (3 in 1)	1	1	N.I.
7	39 1553 04	Flange Bolt	2	2	
8	DU 1410 27	Collar Assly.	2	2	
9	DD 1610 22	Damper - cover side	2	2	



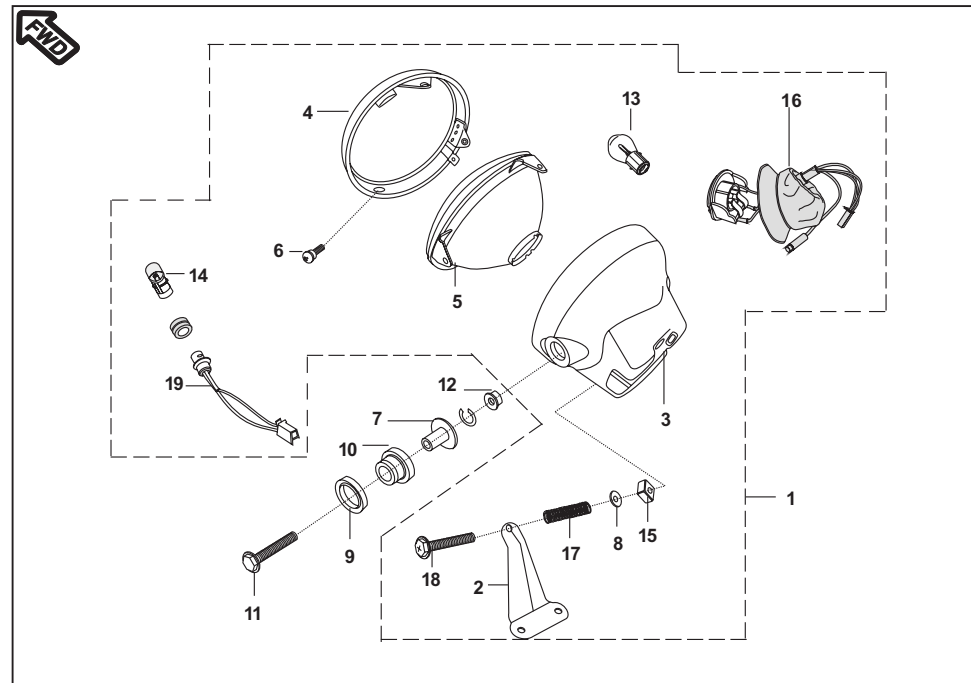
No.	Part No.	Description	Qty/Veh.		Remarks
			CT100 RHL	CT100 THL	
1	DM 1910 09	Meter Assly/ Lamp	--	1	
2	DH 1910 37	Lamp 12V 3W (W/O Cap)	5	5	
3	DU 1910 28	Bracket Speedo Mtg.	--	1	
4	DU 1910 29	Bracket Speedo Mtg.	--	1	Pricol make
5	DU 1910 23	Cover Meter Lower Black	1	1	Pricol make
6	DU 1910 25	Speedometer	1	1	Pricol make
7	DU 1910 16	Cover case upper	1	1	
8	DU 1910 22	Cover case upper	1	1	Pricol make
9	DU 1910 24	Cover (white) W/o Support Plate	1	1	Pricol make
10	39 0798 15	Hex. Nut / Flange	2	2	
11	39 1943 04	Bolt Flanged	2	2	
12	DU 1810 23	Spacer	2	--	N.I.



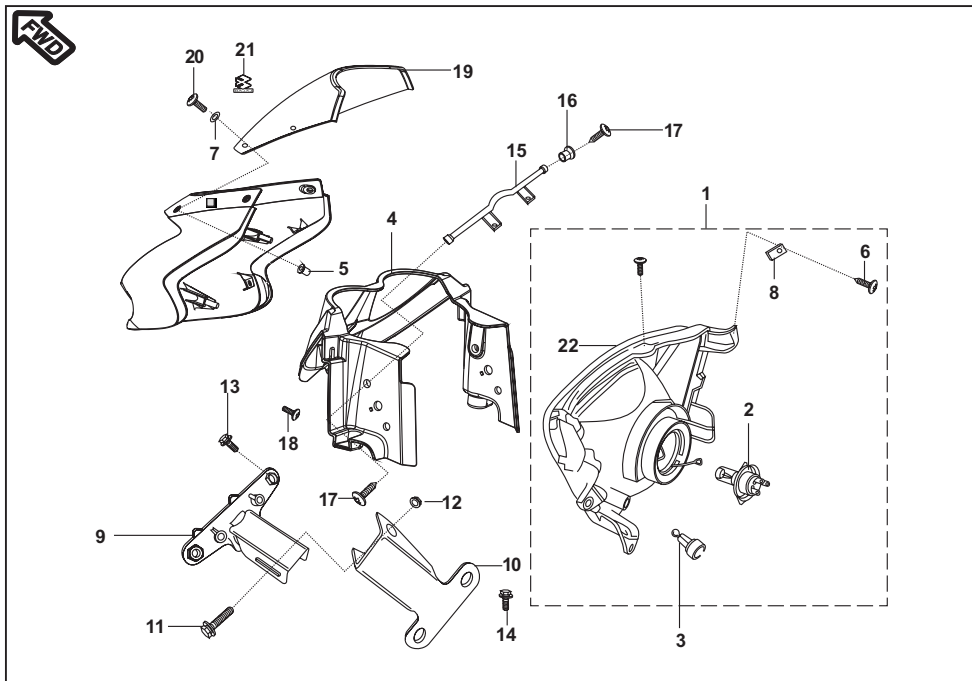
No.	Part No.	Description	Qty/Veh.		Remarks
			CT100 RHL	CT100 THL	
1	DM 1910 11	Cable Brake (FR)	1	1	
2	30 19 1070	Spring	1	1	
3	30 19 1069	Dust Seal	1	1	
4	30 19 1071	Rod End	1	1	
5	30 19 1072	Adjusting Nut	1	1	
6	DM 1910 17	Cable Clutch	1	1	
7	DU 1910 47	Cable Clutch	1	1	Ref. Cir.IB-180
8	DZ 1910 14	Cable Speedometer	1	1	
9	30 1910 67	Oil Seal	1	1	
10	DZ 1910 19	Inner Cable Speedo	1	1	
11	DM 1910 05	Cable Throttle	1	1	
12	DM 1910 02	Cable starter	1	1	
13	36 DZ00 22	Speedometer Inner Cable Kit	1	1	Refer Page. No. 65



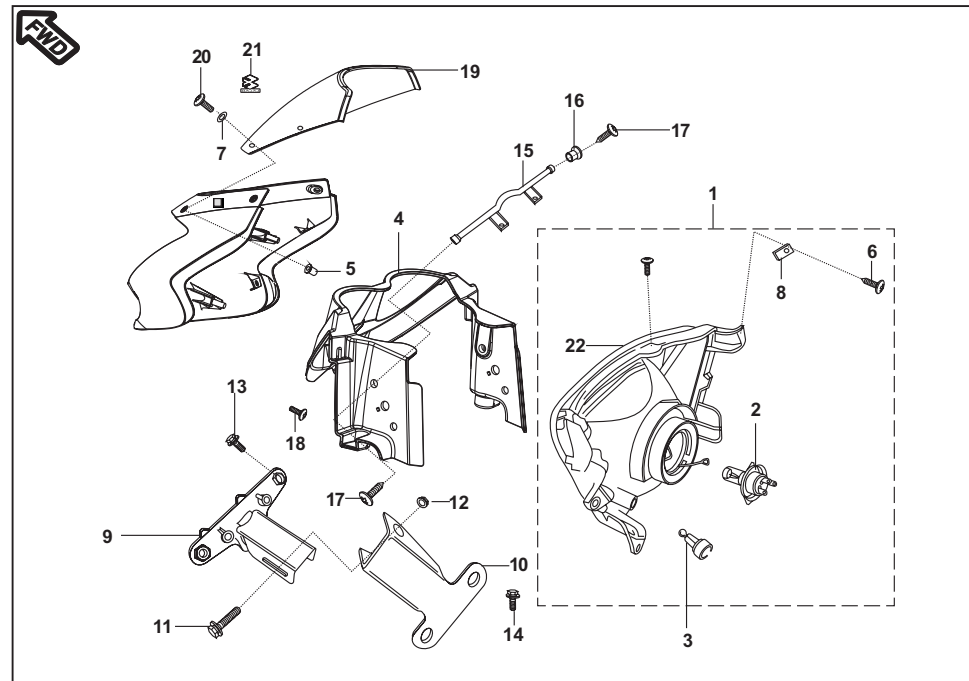
No.	Part No.	Description	Qty/Veh.		Remarks
			CT100 RHL	CT100 THL	
1	DU 2010 64	Head light assly with lamp	1	--	N.S
	DU 2010 26	Head light assly with pilot lamp	1	--	
	DU 2011 02	Head light assly w/o pilot lamp	1	--	
2	DD 2010 17	Bracket Head Light	1	--	N.S
3	DU 2010 57	Head Light Housing	1	--	N.S
4	DJ 2010 46	Head Light Rim	1	--	
5	DJ 2010 51	Reflector with Lens	1	--	
6	DU 2010 29	Special Screw	2	--	
7	DU 2010 60	Collar	2	--	
8	DD 2010 47	Washer	1	--	
9	DD 2010 10	Damper	2	--	
10	DD 2010 09	Damper	2	--	
11	39 1683 04	Flange Bolt	2	--	
12	39 2479 15	Flange Nut	2	--	
13	25 2010 09	Lamp 12 V 35/35 W	1	--	
14	DH 1910 37	Lamp 12 V 3W	1	--	



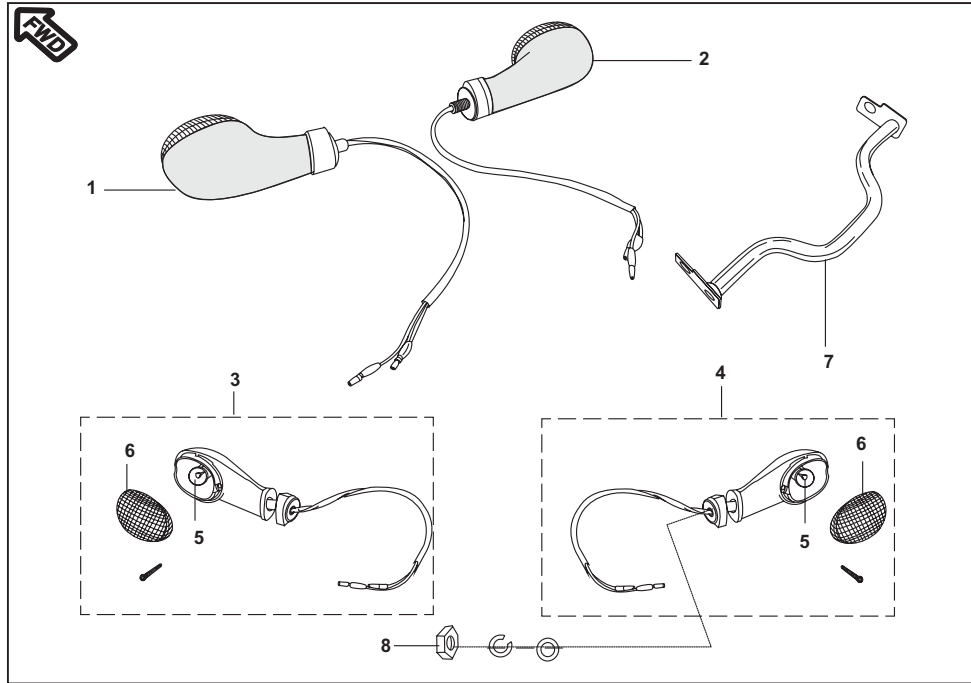
No.	Part No.	Description	Qty/Veh.		Remarks
			CT100 RHL	CT100 THL	
15	DD 2010 48	Nut (Nylon)	1	--	N.S
16	DU 2010 28	Lamp Holder (Socket) Assly.	1	--	N.S
17	DD 2010 46	Spring for Adjustment	1	--	
18	DD 2010 45	Screw	1	--	
19	DU 2010 28	Cable	1	--	



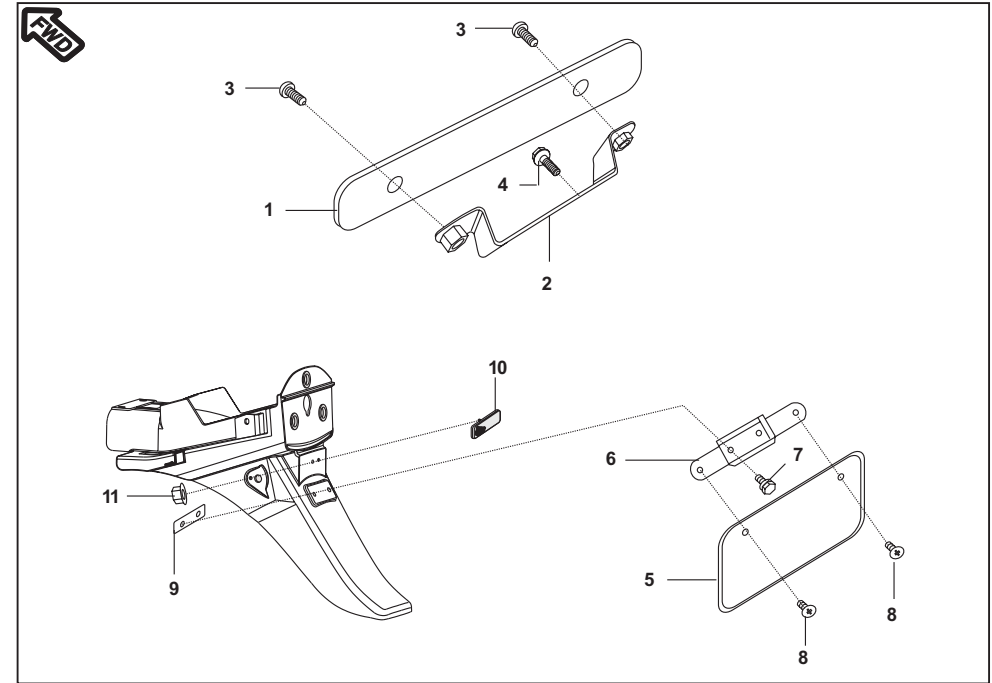
No.	Part No.	Description	Qty/Veh.		Remarks
			CT100 RHL	CT100 THL	
1	DU 2011 01	Head Light Assy./Lamp	--	1	w/o pilot lamp
2	CL 2010 23	Lamp 12V-35/35W	--	1	
3	30 2010 29	Lamp 12V-4W	--	1	
4	DU 1810 70	Flap Cowling	--	1	w.e.f. Dec. 05
5	DL 1810 10	Nut Well	--	4	
6	DF 1810 98	Screw SS	--	5	
7	39 2141 24	Washer (Non metallic)	--	9	
8	35 1610 60	Clip Nut	--	5	
9	DD 1811 83	Bracket Cowling Lower	--	1	
10	DD 1811 84	Bracket Fork Lower	--	1	
11	39 1961 04	Bolt Flanged Small	--	1	
12	39 0817 15	Hex. Nut / Flange	--	1	



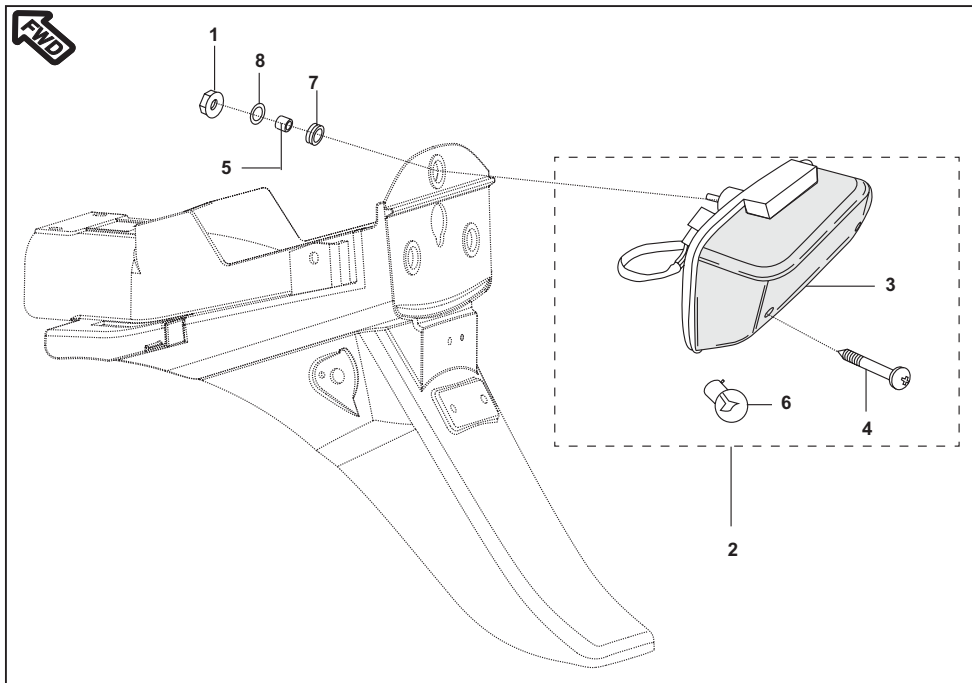
No.	Part No.	Description	Qty/Veh.		Remarks
			CT100 RHL	CT100 THL	
13	39 0745 01	Screw Pan Cross	--	2	
14	39 2473 04	Hex. Bolt / Flange	--	2	
15	DU 1810 47	Bracket Cowling Upper	--	1	Pricol
	DD 1811 85	Bracket Cowling Upper	--	1	VDO
16	DD 1811 86	Collar	--	2	
17	39 2585 01	Screw	--	2	
18	39 0813 02	Cross Rec. Pan Hd. Tp Screw	--	4	
19	DU 1810 31	Wind Shield/Label	--	1	
20	DF1810 98	Screw SS	--	4	
21	DD 1812 52	Label "BAJAJ"	--	1	
22	DU 2010 83	H/L. Lens	--	1	Rinder
	DU 2010 47	H/L. Lens	--	1	Lumax



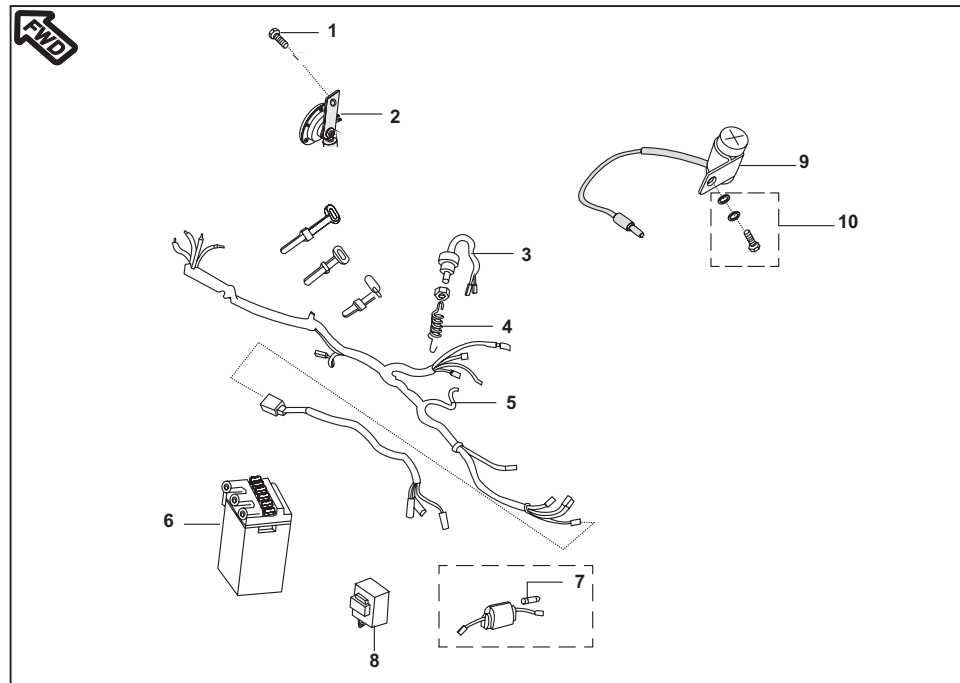
No.	Part No.	Description	Qty/Veh.		Remarks
			CT100 RHL	CT100 THL	
1	DZ 2010 25	Dir. ind. Front LH with Lamp	1	--	
2	DZ 2010 26	Dir. ind. Front RH with Lamp	1	--	
3	DZ 2010 26	Dir. ind. Rear LH with Lamp	1	--	
4	DZ 2010 25	Dir. ind. Rear RH with Lamp	1	--	
5	06 2010 83	Lamp 12 V 10 W	4	4	
6	FD 2010 33	Lens	--	4	
	DU 2010 16	Lens	4	--	
7	DD 1811 92	Bracket Signal	--	1	
8	39 1225 15	Hex. Nut	4	4	
9	DU 2010 42	Adopter LH	--	1	N.I. N.S
10	DU 2010 43	Adopter RH	--	1	N.I.



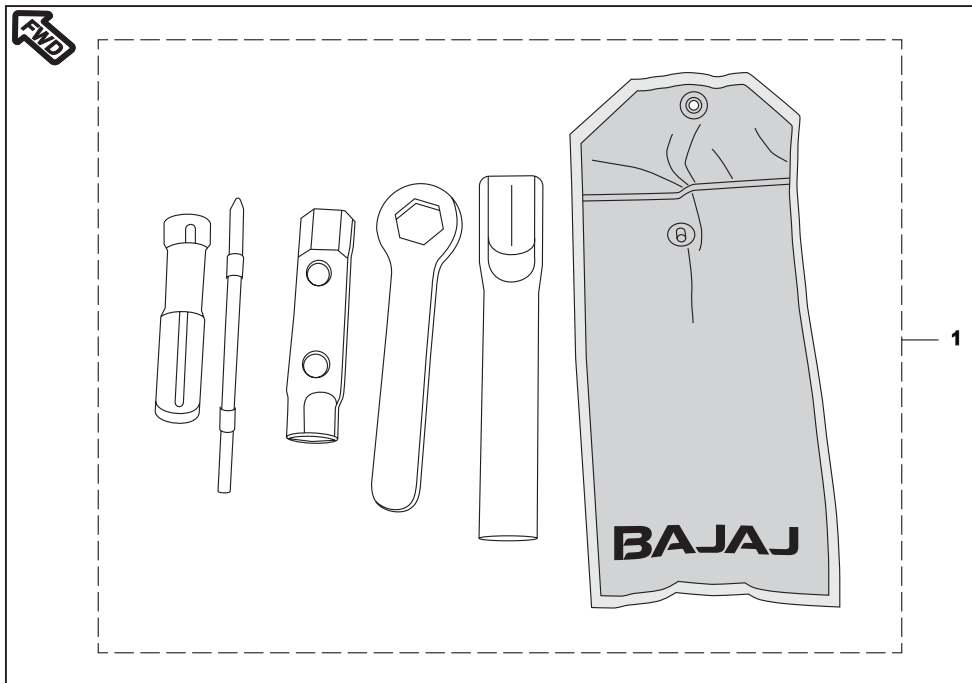
No.	Part No.	Description	Qty/Veh.		Remarks
			CT100 RHL	CT100 THL	
1	DP 1611 44	Front Number plate	1	1	
2	DD 1811 76	Bracket Front No. Plate	1	--	
	DD 1811 87	Bracket Front No. Plate	--	1	
3	39 1783 01	Truss Screw	2	2	
4	39 2473 04	Flanged bolt	2	2	
5	DP 1611 45	Number plate Rear	1	1	
6	DP 1611 01	Bracket No. Plate	1	1	
7	39 2483 04	Hex head bolt / Flange	2	2	
8	39 2475 04	Hex Bolt with Flange	2	2	
9	DP 1611 00	Bracket Fender Rear	1	1	
10	DD 2010 02	Reflector Reflex	1	1	
11	39 2484 15	Flanged Nut	1	1	



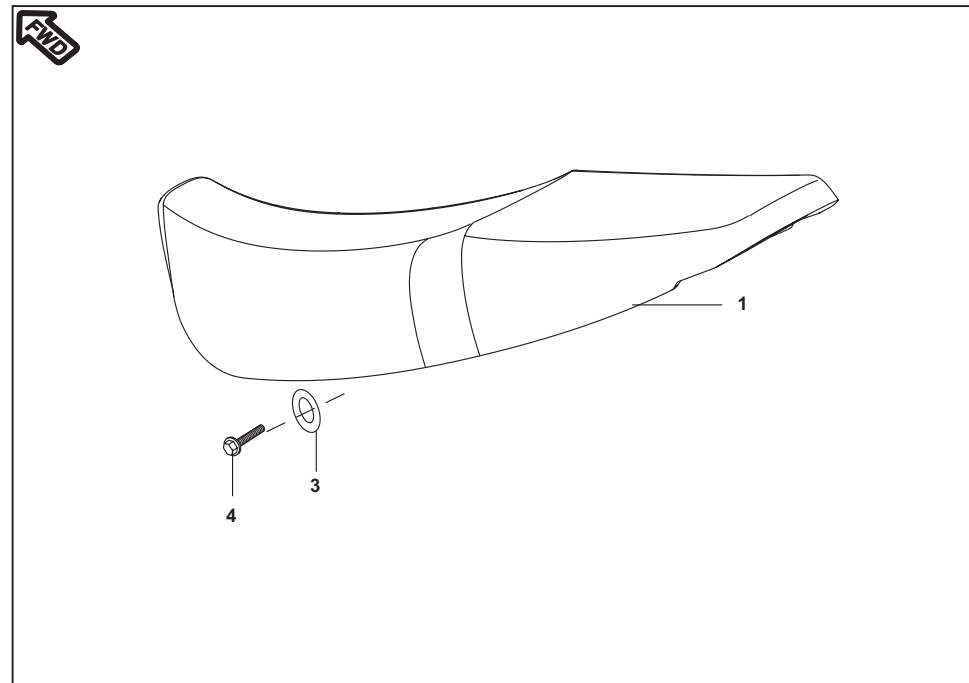
No.	Part No.	Description	Qty/Veh.		Remarks
			CT100 RHL	CT100 THL	
1	39 0817 15	Hex Nut / Flange	3	3	
2	DU 2010 23	Tail Light Assly. with lamp	1	1	
3	DU 2010 66	Lens Tail Light	1	1	
4	DD 2010 34	Screw For Lens	2	2	
5	31 2010 01	Collar	3	3	
6	20 2010 29	Lamp 12 V, 10/5W	1	1	
7	DD 2010 11	Damper	3	3	
8	39 0211 11	Plain Washer	3	3	



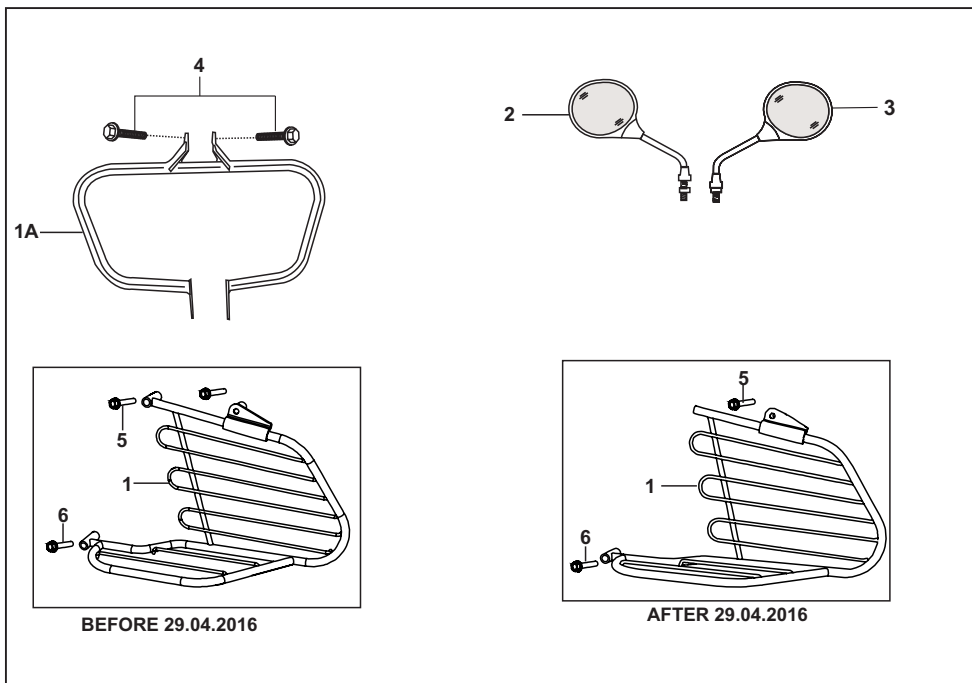
No.	Part No.	Description	Qty/Veh.		Remarks
			CT100 RHL	CT100 THL	
1	39 1940 04	Flanged Bolt	1	1	
2	JW 4016 00	Horn	1	1	
3	31 2010 79	Switch Rear Brake	1	1	
4	30 2010 74	Spring Brake Switch	1	1	
5	DU 2010 99	Wiring Harness	--	1	
6	31 2010 27	Battery	1	1	
7	30 2010 85	Fuse, 15A	1	1	
8	31 2010 03	Relay assly.	1	1	
9	DD 2010 24	Capacitor Electrolytic	1	1	
10	39 2473 04	Hex Head Bolt / Flange	1	1	



No.	Part No.	Description	Qty/Veh.		Remarks
			CT100 RHL	CT100 THL	
1	PA 2310 02	Tool Kit	1	1	



No.	Part No.	Description	Qty/Veh.		Remarks
			CT100 RHL	CT100 THL	
1	DU 2110 01	Seat assly comp. with Damper	1	1	
2	DP 2110 09	Damper	9	9	N.I.
3	39 1211 11	Plain Washer	2	2	
4	39 1290 04	Hex. Bolt	2	2	



No.	Part No.	Description	Qty/Veh.		Remarks
			CT100 RHL	CT100 THL	
1	DU 2210 02	Sari Guard	1	1	
1A	DZ 2210 03	Leg Guard	1	1	
2	DF 2210 37	Mirror LH	1	1	w.e.f. Dec. 05
3	DF 2210 07	Mirror RH	1	1	w.e.f. Dec. 05
4	39 1940 04	Bolt - Flanged :- M8	2	2	
5	39 1682 04	Bolt - SH :- 8 X 50	2	2	
	39 1814 04	Flange Bolt	1	1	Ref. Cir. IB-232
6	39 1608 04	Bolt - Hex. Socket Head	1	1	
	LA D001 43	Bolt Flanged	1	1	Ref. Cir. IB-232

Sr. No.	Kit Part No.	Kit Description	Consisting of Following Parts		
			Part No.	Description	Qty./Kit
1	36DU1001	O Ring Kit	39102021	O Ring	2
			39256921	O Ring	1
2	36311008	Collet Seal Oil Kit	31101019	Collet	4
			39103519	Oil Seal	2
			31101045	Seat Spring	2
3	36311028	Valve Kit	DD101134	Valve Intake	1
			DD101135	Valve Exhaust	1
4	36311006	Chain Guide Kit	31101026	Guide Chain RH	1
			31101025	Guide Chain LH	1
5	36DU1004	Gear Lever Spring Kit	31101055	Spring	1
			31101054	Spring	1
			DU101084	Spring	1
6	36DU1007	Boss Kick Kit	30101233	Boss Kick	1
			30101234	Spring	1
			30101236	Ball Steel	1
			30101235	Pin	1
			39085517	E - Type Circlip	1
7	36DU1201	Air Filter Kit	DM121007	O Ring for Air Filter	1
			DM121004	Cap	1
			01110609	Plain Washer	4
			39083001	Screw Pan cross	4
			DF161426	Bolt Steeped Flanged	2
8	36311803	Bearing Cone kit	30181007	Bearing Cone	1
			30181008	Bearing race	1
			30181074	Upper Bearing Race	1
			30181009	Bearing Cone	1
9	36DF1701	Rubber - Inner Bush Kit	30171030	Rubber Bush	4
			30171031	Inner Bush	4
10	36DZ1503	Gear Meter Screw Kit	DD151005	Speedo Gear (22T)	1
			30151041	Gear Meter Screw	1
			30151042	Washer	2
			30191067	Seal Oil	1
11	36DZ0020	Front Fork Oil Seal Kit	DL181080	Seal Oil	1
			DD181011	Seal Dust	1
12	36DU1506	Rear Wheel Bearing Kit	39268220	Ball Bearing (6301RS1/C3)	1
			39136420	Ball Bearing (6201RS1/C3)	1
13	36DU1901	Cable Adjuster Kit	30191017	Nut	2
			DD191147	Screw	2
14	36DU1202	Idling Screw Kit	DU121024	Screw Idling (Stop Screw)	1
			DD121176	Spring - Idling Screw	1
15	36DU1203	Air Control Screw Kit	DU121025	Screw - Air (Adjust)	1
			DD121178	Spring - Screw Air	1
16	36DU1204	Gasket O ring Kit for Carb.	DD121170	Gasket - Float Chamber	1
			DU121023	Gasket Top	1

KIT LIST FOR CT100 RHL / THL



Sr. No.	Kit Part No.	Kit Description	Consisting of Following Parts		
			Part No.	Description	Qty./Kit
17	36DU1205	Carburettor Float Pin Kit	DD121168	Valve complete Float	1
			DU121015	Float Complete	1
18	36DU1206	Carburettor Holder/Jet Kit	DU121018	Needle Jet	1
			DU121012	Holder - Needle Jet	1
			DU121013	Main Jet	1
			DU121014	Slow Jet complete	1
			DU121021	Spring - Valve throttle	1
26	36DZ0022	Kit Speedometer Inner Cable	31191004	Cable Inner Speedo Meter	1
			30151042	Washer A	1
			30191067	Seal Oil	1
30	36DU1505	Chain Sprocket Kit	DM101114	Sprocket Output	1
			DM151005	Chain 114 Link	1
			DM151009	Sprocket Rear 47 Teeth	1
31	36DU4003	Chain Sprocket Kit	DU101212	Sprocket Output	1
			DM151005	Chain 114 Link	1
			DM151009	Sprocket Rear 47 Teeth	1
32	36DU4017	Chain Sprocket Kit	DX101052	Sprocket Output	1
			DF151023	Chain 112 Link	1
			DU151027	Sprocket Rear 42 Teeth	1
33	36DD4001	Piston Ring Set Standard			1
34	36DU2201	Leg / Saree Guard Kit	DU221002	Guard Saree	1
			DU221003	Guard Leg	1
35	36DU4004	Case Chain Kit	52DM0071	SF for Outer Case Upper	1
			52DU0120	Case Chain Upper	1
36	36DU4033	Dcl Cowling BL RED	DU181089	Cowling Decal - LH Black Red	1
			DU181090	Cowling Decal - RH Black Red	1
37	36DU4034	Dcl Cowling FL- RED	DU181091	Cowling Decal - LH Flame Red	1
			DU181092	Cowling Decal - RH Flame Red	1
38	36DU4036	Dcl Cowling EL- BLUE	DU181093	Cowling Decal - LH Electron Blue	1
			DU181094	Cowling Decal - RH Electron Blue	1
39	36DU4037	Dcl Cowling BL- BLUE	DU181096	Cowling Decal - LH Black Blue	1
			DU181097	Cowling Decal - RH Black Blue	1
40	36DU4038	Dcl Tank BL-RED	DU141232	Tank Dcl Upper LH Black Red	1
			DU141233	Tank Dcl Upper RH Black Red	1
			DU141234	Tank Dcl Lower LH Black Red	1
			DU141235	Tank Dcl Lower RH Black Red	1

KIT LIST FOR CT100 RHL / THL



Sr. No.	Kit Part No.	Kit Description	Consisting of Following Parts		
			Part No.	Description	Qty./Kit
41	36DU4039	Dcl Tank FL-RED	DU141236	Tank Dcl Upper LH Flame Red	1
			DU141237	Tank Dcl Upper RH Flame Red	1
			DU141238	Tank Dcl Lower LH Flame Red	1
			DU141239	Tank Dcl Lower RH Flame Red	1
42	36DU4040	Dcl Tank EL-BLUE	DU141240	Tank Dcl Upper LH Electron Blue	1
			DU141241	Tank Dcl Upper RH Electron Blue	1
			DU141242	Tank Dcl Lower LH Electron Blue	1
			DU141243	Tank Dcl Lower RH Electron Blue	1
43	36DU4041	Dcl Tank BL-BLUE	DU141244	Tank Dcl Upper LH Black Blue	1
			DU141245	Tank Dcl Upper RH Black Blue	1
			DU141246	Tank Dcl Lower LH Black Blue	1
			DU141247	Tank Dcl Lower RH Black Blue	1
44	36DU4042	Dcl S-Cover BL-RED	DU161219	Cover Side Dcl LH Black Red	1
			DU161220	Cover Side Dcl RH Black Red	1
45	36DU4043	Dcl S-Cover FL-RED	DU161221	Cover Side Dcl LH Flame Red	1
			DU161222	Cover Side Dcl RH Flame Red	1
46	36DU4044	Dcl S-Cover EL-BLUE	DU161223	Cover Side Dcl LH Electron Blue	1
			DU161224	Cover Side Dcl RH Electron Blue	1
47	36DU4045	Dcl S-Cover BL-BLUE	DU161231	Cover Side Dcl LH Black Blue	1
			DU161232	Cover Side Dcl RH Black Blue	1
48	36DU4046	Dcl Seat Cowl BL-RED	DU161225	Cover Seat Decal LH Black Red	1
			DU161226	Cover Seat Decal RH Black Red	1
49	36DU4047	Dcl Seat Cowl FL-RED	DU161227	Cover Seat Decal LH Flame Red	1
			DU161228	Cover Seat Decal RH Flame Red	1
50	36DU4048	Dcl Seat Cowl EL-BLUE	DU161229	Cover Seat Decal LH Electron Blue	1
			DU161230	Cover Seat Decal RH Electron Blue	1
51	36DU4049	Dcl Seat Cowl BL-BLUE	DU161233	Cover Seat Decal LH Black Blue	1
			DU161234	Cover Seat Decal RH Black Blue	1

Part Index

BAJAJ
CT 100

Part No.	Figure No.	Page No.
01100610	2	5
01110609	18	18
01170111	7	10
01170111	1	11
06201083	5	69
14151021	19	31
14151021	4	37
16151066	1	28
16151066	1	29
20201029	6	71
22150241	7	16
22150451	17	26
25201009	13	65
28101107	16	5
28101195	2	15
28101214	9	15
30101096	7	15
30101142	6	14
30101154	5	16
30141031	22	26
30141031	10	59
30141032	12	60
30141039	5	59
30141052	7	59
30151005	24	33
30151005	24	35
30151005	17	39
30151008	16	33
30151011	15	32
30151038	12	30
30151038	17	33
30151038	17	35
30151038	13	37
30151038	16	39
30151063	11	32
30151069	16	31

Part No.	Figure No.	Page No.
30151069	13	32
30151069	13	34
30151069	11	37
30151069	14	39
30151075	12	32
30151078	26	33
30151079	27	33
30151081	3	32
30151095	14	42
30151105	14	32
30151118	22	31
30151118	22	38
30151119	23	31
30161157	8	26
30161158	7	26
30161169	2	62
30171018	9	24
30181006	6	22
30181023	19	47
30181029	10	46
30191031	7	41
30191035	8	41
30191036	13	42
30191037	12	42
30191038	4	41
30191048	26	44
30191067	8	64
30191069	3	64
30191070	2	64
30191071	4	64
30191072	5	64
30201029	3	67
30201074	4	72
30201085	7	72
31101006	2	1
31101008	4	1

Part Index

BAJAJ
CT 100

Part No.	Figure No.	Page No.
31101014	1	19
31101018	6	2
31101019	12	2
31101033	6	3
31101035	17	5
31101038	11	16
31101039	10	16
31101040	16	16
31101041	8	16
31101051	2	8
31101056	8	11
31101061	4	13
31101062	1	13
31101067	4	14
31101104	4	2
31101108	10	9
31101109	11	9
31101113	5	13
31101137	15	15
31101148	13	15
31101173	4	5
31101175	16	1
31101191	1	8
31101192	5	8
31101295	3	13
31111056	16	21
31111058	9	21
31121006	2	12
31121029	5	18
31121037	16	18
31151001	20	35
31151004	3	30
31151004	2	37
31151007	10	37
31151007	13	39
31151011	14	30

Part No.	Figure No.	Page No.
31151011	12	37
31151014	21	31
31151014	19	38
31151018	12	34
31151018	5	39
31151021	10	34
31151021	6	39
31151024	16	35
31151026	9	32
31151026	9	34
31151026	24	40
31151027	26	35
31151028	27	35
31151028	25	40
31151029	3	34
31151029	10A	39
31151030	25	33
31151030	25	35
31151037	18	35
31151037	18	39
31151060	17	31
31151060	14	34
31161018	5	62
31171001	11	25
31171006	7	24
31171012	16	25
31181015	5	46
31181099	7	46
31181106	4	46
31181120	9	46
31191002	2	22
31191016	3	41
31201001	5	71
31201003	8	72
31201027	6	72
31201079	3	72

Part Index

BAJAJ
CT 100

Part No.	Figure No.	Page No.
31201081	9	11
33141008	6	59
35161060	8	67
36311006	1	3
36311008	8	2
36311028	9	2
36314005	5	22
36314005	21	47
39019811	2	19
39019811	2	41
39019811	25	44
39020111	8	24
39021111	8	71
39024211	24	31
39024211	20	38
39024811	2	10
39024811	6	24
39024811	7	37
39029215	14	25
39042215	5	26
39042215	23	44
39045411	17	25
39055302	18	25
39070201	5	2
39070201	7	11
39070311	10	11
39070815	10	41
39071111	13	25
39071111	6	27
39071215	1	24
39071411	3	24
39071411	21	35
39071411	22	40
39072504	24	44
39073212	3	19
39073712	2	24

Part No.	Figure No.	Page No.
39073817	14	16
39074501	14	21
39074501	13	68
39074601	5	9
39074801	10	3
39075301	2	20
39076101	8	59
39077504	9	30
39077504	19	35
39077504	15	37
39078408	21	26
39078708	10	26
39078912	11	42
39078912	16	47
39079415	4	32
39079415	4	34
39079415	12	39
39079708	6	41
39079815	15	30
39079815	6	32
39079815	6	34
39079815	16	37
39079815	20	39
39079815	9	63
39080708	9	41
39080808	1	41
39081302	18	68
39081715	7	27
39081715	12	67
39081715	1	71
39083001	19	18
39084001	26	31
39084001	25	38
39090012	25	31
39090012	24	38
39097315	13	2

Part No.	Figure No.	Page No.
39097804	2	34
39097804	10	39
39098004	10	15
39098517	5	4
39098608	3	18
39098717	4	6
39098815	8	32
39098815	8	34
39098815	21	40
39099008	20	31
39099206	6	8
39099311	9	16
39099511	13	16
39099906	11	3
39099906	6	10
39099906	8	13
39099906	3	14
39099906	4	20
39100006	12	1
39100006	1	4
39100320	5	21
39100820	6	11
39101321	5	20
39101321	18	31
39101321	23	38
39101721	14	1
39101921	2	13
39102121	5	1
39102304	3	12
39102821	6	21
39104011	23	26
39104119	5	14
39104219	4	21
39104319	4	11
39105006	2	11
39105315	11	15

Part No.	Figure No.	Page No.
39105515	1	5
39106204	4	12
39106204	15	17
39106604	3	11
39107404	7	13
39107404	19	39
39107404	3	43
39107504	11	11
39107504	10	14
39107801	1	20
39108019	5	11
39118415	9	43
39121111	3	74
39122515	4	10
39122515	10	24
39122515	8	69
39128321	3	17
39129004	4	74
39155304	10	21
39155304	7	62
39156121	27	31
39160804	6	75
39161211	18	1
39165911	7	21
39167304	3	1
39168004	9	18
39168204	5	75
39168304	11	65
39169901	8	5
39178301	3	70
39178924	11	18
39178924	3	62
39179021	14	3
39181304	17	47
39181404	5	75
39186420	19	5

BAJAJ
CT 100

Part Index

BAJAJ
CT 100

Part No.	Figure No.	Page No.
39186420	5	10
39194004	3	26
39194004	1	72
39194004	4	75
39196104	11	67
39198104	15	7
39199404	2	9
39204021	2	3
39213421	8	14
39214124	7	67
39214704	10	13
39219908	14	5
39220011	12	5
39222204	8	22
39222204	1	27
39224020	5	32
39224020	5	34
39224020	8	39
39240320	12	15
39240701	10	18
39244704	19	33
39245504	17	23
39246904	10	22
39247304	1	22
39247304	5	61
39247304	14	68
39247304	4	70
39247304	10	72
39247404	8	9
39247504	4	61
39247504	8	70
39247915	11	23
39247915	12	65
39248104	14	26
39248304	7	70
39248415	11	70

Part No.	Figure No.	Page No.
39256611	21	33
39258501	17	68
39260011	3	15
39268020	1	30
39268020	3	37
39268120	5	30
39268120	1	37
39268620	7	32
39268720	7A	32
39270204	3	10
39270204	9	22
39270411	12	9
59110004	19	1
59150003	23	40
59200034	11	10
36DD4001	4	4
36DD4008	6	15
36DF1444	2	48
36DF1445	2	48
36DF1446	2	48
36DF1701	5	24
36DM0001	1	32
36DU1001	1	1
36DU1004	3	9
36DU1007	6	16
36DU1202	7	17
36DU1203	8	17
36DU1204	5	17
36DU1205	6	17
36DU1206	4	17
36DU1503	4A	30
36DU1505	1	32
36DU1505	1	34
36DU1506	7	34
36DU1901	16	44
36DU4003	1	34

Part Index

BAJAJ
CT 100

Part No.	Figure No.	Page No.
36DU4004	2	61
36DU4017	1	34
36DU4017	2	39
36DU4026	18	5
36DZ0008	18	38
36DZ0020	26	47
36DZ0021	4	30
36DZ0022	12	64
52DD0253	10	1
52DF0020	15	25
52DF0021	12	25
52DM0086	9	13
52DM0159	1	61
52DU0104	6	9
52DU0289	5	49
52DU0289	14	58
52DU0289	14	58
52DU0289	14	58
52DU0290	14	58
52DU0291	14	58
52DU0302	18	26
52DU0303	19	26
52DU0555	11	25
52DU0575	13	52
52DU0576	13	52
52DU0577	13	52
52DU0578	13	52
52DU0579	14	52
52DU0580	14	52
52DU0581	14	52
52DU0582	14	52
52DU0583	15	52
52DU0584	15	52
52DU0585	15	52
52DU0586	15	52
52DU0587	16	52

Part No.	Figure No.	Page No.
52DU0588	16	52
52DU0589	16	52
52DU0590	16	52
52DU0591	17	52
52DU0592	17	52
52DU0593	17	52
52DU0594	17	52
CL201023	2	67
DD101007	2	4
DD101013	9	4
DD101014	4	4
DD101062	9	3
DD101134	10	2
DD101135	11	2
DD101219	14	11
DD101254	3	16
DD101264	2	16
DD101309	1	6
DD101318	15	21
DD101319	20	5
DD101325	7	14
DD101343	13	1
DD101347	6	1
DD101349	8	1
DD101350	7	1
DD101366	6	19
DD101407	7	3
DD101440	7	2
DD101475	16	7
DD101481	15	1
DD101492	5	15
DD101493	8	15
DD111011	17	21
DD111012	18	21
DD111018	12	21
DD111046	22	17

Part Index

BAJAJ
CT 100

Part No.	Figure No.	Page No.
DD111048	2	21
DD121168	20	17
DD121171	11	17
DD141227	9	59
DD151008	10	30
DD151008	14	37
DD151009	7	30
DD151009	17	38
DD151015	18	33
DD161022	9	62
DD161051	3	27
DD161053	14	23
DD161078	16	42
DD161369	5	49
DD161381	20	26
DD181029	6	46
DD181031	2	46
DD181032	18	47
DD181034	3	46
DD181090	25	47
DD181091	24	47
DD181176	2	70
DD181183	9	67
DD181184	10	67
DD181185	15	68
DD181186	16	68
DD181187	2	70
DD181192	7	69
DD181205	12	46
DD181207	15	47
DD181252	12	51
DD181252	21	68
DD201002	10	70
DD201009	10	65
DD201010	9	65
DD201011	7	71

Part No.	Figure No.	Page No.
DD201017	2	65
DD201024	9	72
DD201034	4	71
DD201045	18	66
DD201046	17	66
DD201047	8	65
DD201048	15	66
DD201168	11	60
DD201170	13	44
DD7301Y7	5	49
DE181031	7	46
DF101055	2	2
DF111015	1	21
DF111020	3	21
DF111033	13	21
DF111040	13A	21
DF121003	3	20
DF121023	1	18
DF121025	2	18
DF151003	2	30
DF151005	2	29
DF151006	3	29
DF151016	15	42
DF151023	28	33
DF151023	28	35
DF161102	4	26
DF161168	15	23
DF161413	1	26
DF161414	15	26
DF161416	3	61
DF161425	2	26
DF181043	2	59
DF181052	4	22
DF181085	11	46
DF181090	3	22
DF181091	19	44

Part Index

BAJAJ
CT 100

Part No.	Figure No.	Page No.
DF181092	20	44
DF181098	6	67
DF181098	20	68
DF181117	2	43
DF191026	10	43
DF191027	14	44
DF191066	12	44
DF201053	4	43
DF201053	11	43
DF221007	3	75
DF221037	2	75
DG101498	9	10
DG121002	15	18
DG141019	1	62
DG151022	6	28
DG161121	4	62
DG161124	11	26
DH101066	13	5
DH101067	15	5
DH101195	9	5
DH101430	6	4
DH101607	8	19
DH101784	12	11
DH121101	13	17
DH121102	14	17
DH121103	7	18
DH161194	16	26
DH171019	22	33
DH171019	22	35
DH191037	2	63
DH191037	14	65
DJ151018	23	33
DJ161068	2	27
DJ201046	4	65
DJ201051	5	65
DK141041	15	11

Part No.	Figure No.	Page No.
DL161048	6	26
DL181010	5	67
DL181080	1	46
DL191012	6	43
DL191014	8	43
DM101098	4	8
DM101099	8	8
DM101139	6	13
DM101140	9	14
DM121004	6	18
DM121007	17	18
DM121010	12	18
DM121014	14	18
DM151005	28	35
DM151008	4	29
DM151009	23	35
DM151024	2	36
DM151027	10	28
DM151027	8	29
DM151027	4	36
DM151029	4	28
DM151029	6	29
DM151032	20	33
DM161009	5	27
DM171025	4	24
DM181029	22	47
DM181030	23	47
DM181036	6	46
DM181038	14	46
DM181039	13	46
DM191002	11	64
DM191005	10	64
DM191009	1	63
DM191011	1	64
DM191014	15	44
DM191015	26	45

Part Index

BAJAJ
CT 100

Part No.	Figure No.	Page No.
DM191017	6	64
DM221001	8	18
DP101155	13	7
DP101168	14	7
DP101340	7	8
DP101452	8	10
DP151027	10	32
DP151028	2	32
DP161100	9	70
DP161101	6	70
DP161144	1	70
DP161145	5	70
DP211009	2	74
DS151009	7	28
DS151010	8	28
DS151046	5	28
DS151047	9	28
DS151047	7	29
DS181010	22	44
DU101005	3	5
DU101010	11	5
DU101038	12	16
DU101041	7	5
DU101045	15	16
DU101050	4	16
DU101056	4	3
DU101057	2	17
DU101058	17	1
DU101060	3	2
DU101065	1	2
DU101066	12	3
DU101067	13	3
DU101069	9	1
DU101073	1	9
DU101074	4	9
DU101075	12	10

Part No.	Figure No.	Page No.
DU101080	7	6
DU101081	3	8
DU101083	9	8
DU101085	13	10
DU101109	4	15
DU101180	7	19
DU101185	9	9
DU101188	2	14
DU101190	3	2
DU101191	1	2
DU101196	5	19
DU101206	4	19
DU101207	8	4
DU101208	9	1
DU101210	1	14
DU101213	11	7
DU101216	13	11
DU101218	3	4
DU101220	1	10
DU101223	10	10
DU101225	3	3
DU101228	11	1
DU101228	9	17
DU101232	11	51
DU101278	6	6
DU101279	2	6
DU101280	13	11
DU111001	8	21
DU121005	1	12
DU121008	4	18
DU121010	1	12
DU121013	19	17
DU121015	21	17
DU121017	12	17
DU121018	18	17
DU121021	17	17

Part Index

BAJAJ
CT 100

Part No.	Figure No.	Page No.
DU121022	16	17
DU121028	10	17
DU121030	13	18
DU121033	1	17
DU121052	17	18
DU141027	8	62
DU141041	1	59
DU141061	3	59
DU141078	2	53
DU141079	3	53
DU141080	2	53
DU141081	3	53
DU141082	2	53
DU141083	3	53
DU141086	2	53
DU141087	3	54
DU141088	2	53
DU141089	3	54
DU141095	4	59
DU141232	3	50
DU141233	4	50
DU141234	5	50
DU141235	6	51
DU141236	3	50
DU141237	4	50
DU141238	5	50
DU141239	6	51
DU141240	3	50
DU141241	4	50
DU141242	5	50
DU141243	6	51
DU141244	3	50
DU141245	4	50
DU141246	5	50
DU141247	6	51
DU151005	6	30

Part No.	Figure No.	Page No.
DU151005	6	37
DU151009	11	34
DU151010	7	39
DU151018	5	29
DU151025	2	28
DU151025	2	29
DU151026	3	28
DU151026	3	29
DU151027	23	35
DU151029	11	39
DU151029	20	35
DU151031	8	30
DU151034	3	36
DU161008	4	27
DU161032	9	26
DU161077	12	26
DU161078	13	26
DU161093	13A	23
DU161094	13B	23
DU161098	8	27
DU161125	7	22
DU161144	12	26
DU161145	13	26
DU161146	12	26
DU161147	13	26
DU161160	6	55
DU161161	7	55
DU161162	4	54
DU161163	5	54
DU161164	6	55
DU161165	7	55
DU161166	4	54
DU161167	5	54
DU161168	6	55
DU161169	7	55
DU161170	4	54

Part Index



Part No.	Figure No.	Page No.
DU161171	5	54
DU161176	6	55

Part No.	Figure No.	Page No.
----------	------------	----------

Part Index



Part No.	Figure No.	Page No.
----------	------------	----------

Part No.	Figure No.	Page No.
----------	------------	----------

Part Index



Part No.	Figure No.	Page No.

Part No.	Figure No.	Page No.

Part Index



Part No.	Figure No.	Page No.

Part No.	Figure No.	Page No.