

INDEX

1. CYLINDER HEAD
2. VALVE
3. CAMSHAFT / TENSIONER
4. CYLINDER AND PISTON
5. CRANK SHAFT
6. TRANSMISSION
7. CHANGE DRUM / SHIFT FORK
8. GEAR CHANGE MECHANISM
9. CRANKCASE RH / ENGINE ASSEMBLY
10. CRANKCASE LH
11. PIPE OIL
12. COVER GENERATOR & COVER CHAIN
13. CLUTCH COVER
14. CLUTCH
15. KICK STARTER MECHANISM
16. CARBURETTOR
17. AIR FILTER ASSEMBLY AND BATTERY BOX
18. SILENCER ASSEMBLY
19. OIL PUMP
20. MAGNETO ASSEMBLY
21. FRAME
22. SWING ARM / REAR SHOCK ABSORBER
23. STAND ,STEP AND STAY LH/RH
24. FENDER -FRONT & REAR
25. WHEEL RIM / SPOKES / TYRE /TUBE
26. TYRE / TUBE / RIM
27. FRONT HUB
28. FRONT HUB (For alloy wheel)
29. REAR HUB
30. REAR HUB (For alloy wheel)
31. BRAKE PEDAL
32. HANDLE BAR
33. FRONT FORK
34. PAINTED PARTS

- 35. FUEL TANK CAP,TAP ASSLY. & FUEL GAUGE
- 36. CHAIN CASE
- 37. FITTINGS-PETROL TANK & SIDE COVER
- 38. METER ASSEMBLY
- 39. CONTROL CABLES
- 40. HEAD LAMP ASSLY. / FAIRING
- 41. TURN SIGNAL LAMP
- 42. FRONT AND REAR NUMBER PLATE
- 43. TAIL LAMP ASSEMBLY
- 44. ELECTRICAL EQUIPMENT
- 45. TOOL KIT
- 46. SEAT ASSEMBLY
- 47. ACCESSORIES (LEG GARD, SAREE GUARD & MIRRORS)

Model Code: "001MC623" Model Name: "Bajaj Platina"

Plate Code: "1" Plate Description: "CYLINDER HEAD"

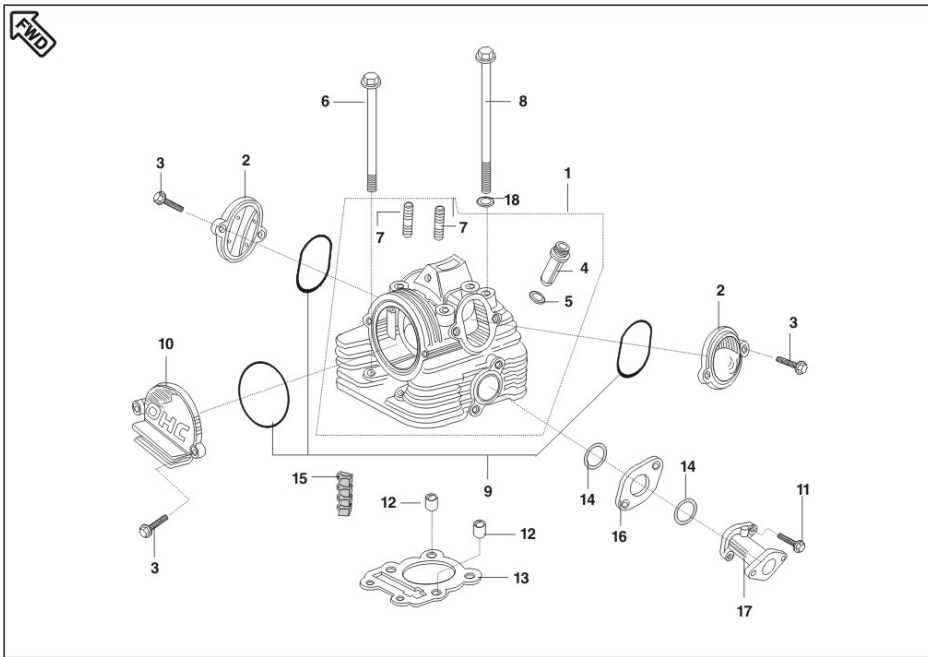


Fig No	Item Code	Description	Quantity	Serviceable	Chasis Number	With Effect From
1	DU70023N	CYL HEAD COMP GRI GRAY COLOUR	1	Y		
2	31101006	CAP	2	Y		
3	39167304	FLANGE BOLT-M6	6	Y		
4	31101008	GUIDE - VALVE	2	Y		
5	39102121	RING - O	2	Y		
6	DD101347	BOLT	2	Y		
7	DD101350	STUD - M6	2	Y		
8	DD101349	BOLT	4	Y		
9	36DU1001	O RING KIT - CT 100	1	Y		
10	31101007	COVER	1	Y		
10	DD70043N	OHC CAP GRI GRAY COLOUR	1	Y		
11	DD101351	BOLT - FLANGED :- SMALL	2	Y		
12	39100006	PIN - HOLLOW DOWEL	2	Y		
13	DD101343	GASKET -CYLINDER HEAD (NBR COATED)	1	Y		
14	39101721	RING - O	2	Y		
15	DD101481	DAMPER - CYLINDER HEAD	4	Y		
16	31101175	INSULATOR	1	Y		
17	52DU0240	ASSEMBLY PIPE INTAKE (GRI-GRAY COLOUR)	1	Y		
18	DD101521	WASHER- CYL.HEAD,COPPER COATING INSTEAD	4	Y		

Model Code: "001MC623" Model Name: "Bajaj Platina"

Plate Code: "2" Plate Description: "VALVE"

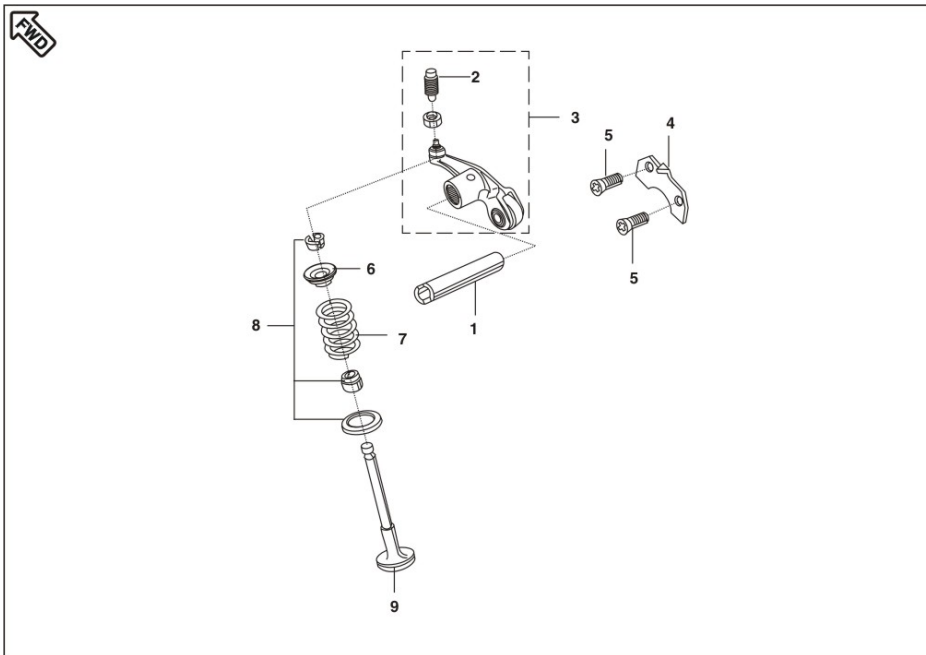


Fig No	Item Code	Description	Quantity	Serviceable	Chasis Number	With Effect From
1	DU101191	SHAFT ROCKER	2	Y		
2	DF101055	SCREW - TAPPET (FORGED ROUTE)	2	Y		
3	DU101190	ASSEMBLY ROCKER ARM ROLLER AND BEARING	2	Y		
4	31101104	STOPPER	1	Y		
5	39070201	SCREW PAN CROSS - M6	2	Y		
6	31101018	RETAINER - VALVE SPRING	2	Y		
7	DD101440	SPRING - STIFFER	2	Y		
8	36311008	KIT VALVE REPAIR 4S	1	Y		
9	36311028	KIT VALVE CALIBER	1	Y		

Model Code: "001MC623" Model Name: "Bajaj Platina"

Plate Code: "3" Plate Description: "CAMSHAFT / TENSIONER"

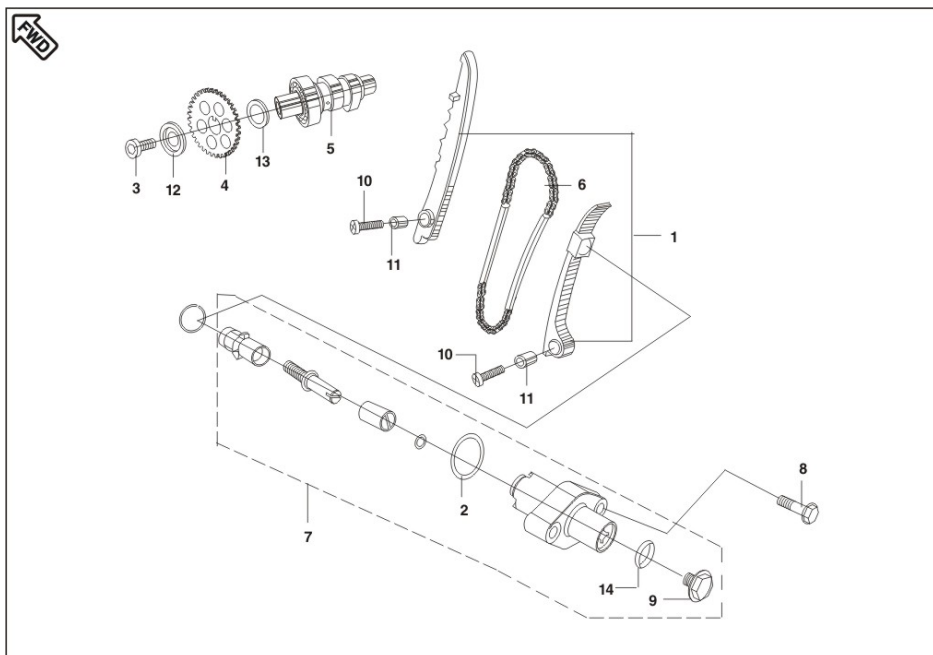


Fig No	Item Code	Description	Quantity	Serviceable	Chasis Number	With Effect From
1	36311006	KIT CHAIN GUIDE 4S	1	Y		
2	39204021	RING - O	1	Y		
3	DU101096	BOLT - HEX. SOCKET HEAD CAP:- M8X1PXL=35	1	Y		
4	DU101056	SPROCKET - CAMSHAFT	1	Y		
5	DU101078	CAMSHAFT ASSEMBLY	1	Y		
6	31101033	CHAIN	1	Y		
7	DD70023N	TENSIONER ADVIK GRI GRAY COLOUR	1	Y		
8	39195904	BOLT - FLANGED :- SMALL	2	Y		
9	DD101062	BOLT	1	Y		
10	39074801	SCREW PAN CROSS - M6	2	Y		
11	39099906	PIN - HOLLOW DOWEL	2	Y		
12	DU101066	WASHER - SPECIAL :- CAM SPROCKET	1	Y		
13	DU101067	COLLAR - CAMSHAFT	1	Y		
14	39179021	O RING	1	Y		

Model Code: "001MC623" Model Name: "Bajaj Platina"

Plate Code: "4" Plate Description: "CYLINDER AND PISTON"

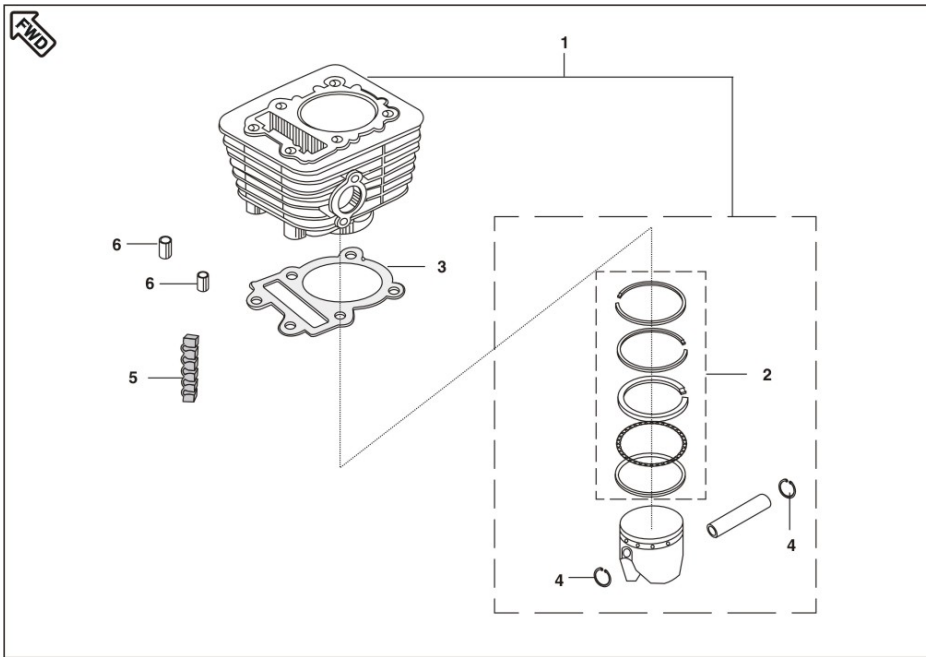


Fig No	Item Code	Description	Quantity	Serviceable	Chasis Number	With Effect From
1	DU101218	ASSEMBLY CYL.BLOCK & PISTON	1	Y		
2	DD101014	RING - SET - PISTON (STANDARD)	1	Y		
3	DD101007	GASKET FOR CYLINDER BLOCK	1	Y		
4	39098517	CIRCLIP - WIRE	2	Y		
5	DH101430	DAMPER - CYLINDER HEAD	3	Y		
6	39100006	PIN - HOLLOW DOWEL	2	Y		

Model Code: "001MC623" Model Name: "Bajaj Platina"

Plate Code: "5" Plate Description: "CRANK SHAFT"

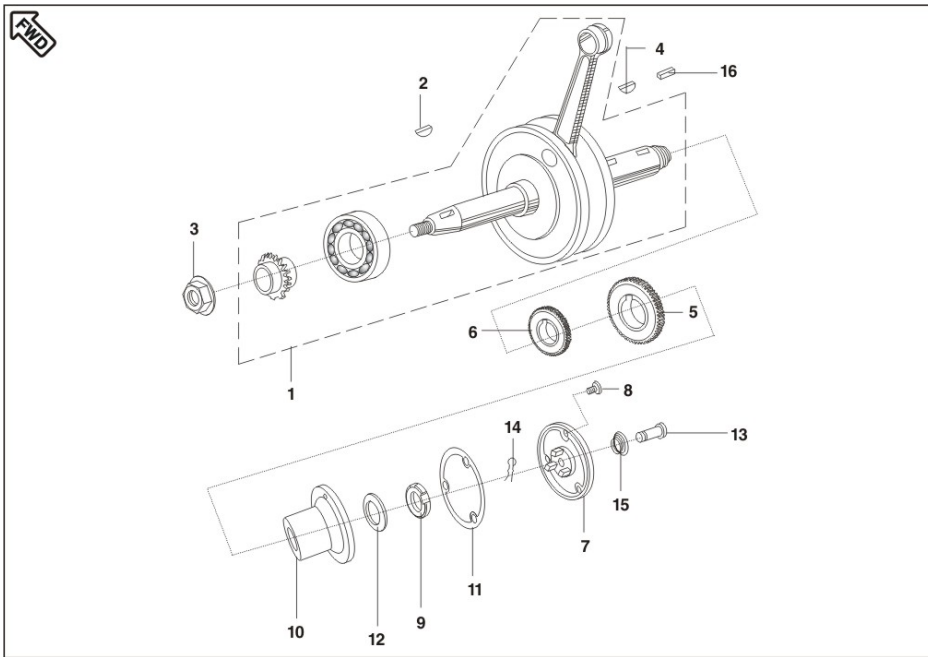


Fig No	Item Code	Description	Quantity	Serviceable	Chasis Number	With Effect From
1	DU101005	CRANKSHAFT COMPLETE	1	Y		
2	01100610	KEY - WOODRUFF FOR MAGNETO	1	Y		
3	39105515	NUT - HEXAGON WITH FLANGE :- M10	1	Y		
4	31101173	KEY -WOODRUFF FOR CRANKSHAFT CLUTCH SIDE	1	Y		
5	DX101047	GEAR PRIMARY DRIVE HELICAL	1	Y		
6	FA101334	GEAR OIL PUMP DRIVE	1	Y		
7	DU101041	COVER COMP CENTRIFUGAL OIL FILTER	1	Y		
8	39169901	SCREW - COUNTERSUNK HEAD :- M6	3	Y		
9	DH101195	NUT - PRIMARY DRIVE LOCK	1	Y		
10	DX101053	BODY CENTRIFUGAL OIL FILTER	1	Y		
11	DU101010	GASKET -CENTRIFUGAL OIL FILTER	1	Y		
12	39220011	WASHER - PLAIN (PRIMARY DRIVE GEAR)	1	Y		
13	DH101066	JOINT - OIL DELIVERY :- B	1	Y		
14	39219908	PIN - SNAP (OIL DELIVERY JOINT B)	1	Y		
15	DH101067	SPRING - OIL DELIVERY :- B	1	Y		
16	28101107	KEY - PARALLEL	1	Y		

Model Code: "001MC623" Model Name: "Bajaj Platina"

Plate Code: "6" Plate Description: "TRANSMISSION"

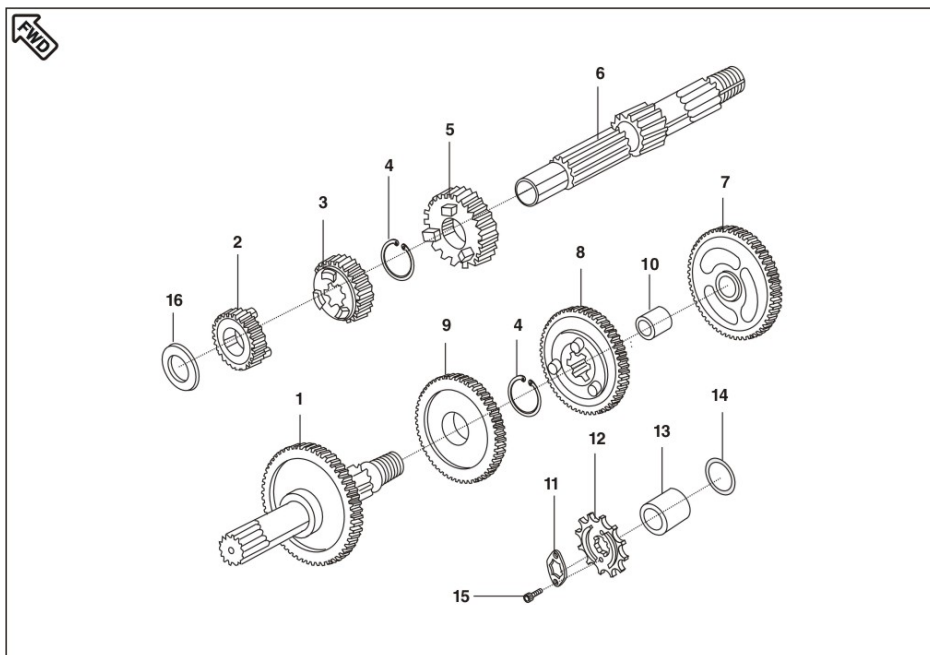


Fig No	Item Code	Description	Quantity	Serviceable	Chasis Number	With Effect From
1	DX101046	SHAFT TRANSMISSION OUTPUT	1	Y		
2	DX101045	GEAR TRANSMISSION SPUR (2 ND I/P)	1	Y		
3	DX101048	GEAR 3RD DRIVE	1	Y		
4	39098717	RING - SNAP	2	Y		
5	DX101049	GEAR 4TH DRIVE	1	Y		
6	DUI101011	SHAFT TRANSMI INPUT	1	Y		
7	DUI101080	GEAR - 1ST DRIVEN	1	Y		
8	DX101051	GEAR 4TH DRIVEN	1	Y		
9	DX101050	GEAR 3RD DRIVEN	1	Y		
10	DD101309	BUSHING - FIRST GEAR OUTPUT	1	Y		
11	DM101115	PLATE - LOCK :- SPROCKET OUTPUT	1	Y		
12	36DZ0002	KIT CHAIN SPROCKET (PLATINA)	1	Y		
13	DP101155	COLLAR	1	Y		
14	DP101168	RING - O	1	Y		
15	39198104	BOLT - HEXAGON SOCKET HEAD :- M5	2	Y		
16	DD101475	WASHER - SPECIAL	1	Y		

Model Code: "001MC623" Model Name: "Bajaj Platina"

Plate Code: "7" Plate Description: "CHANGE DRUM / SHIFT FORK"

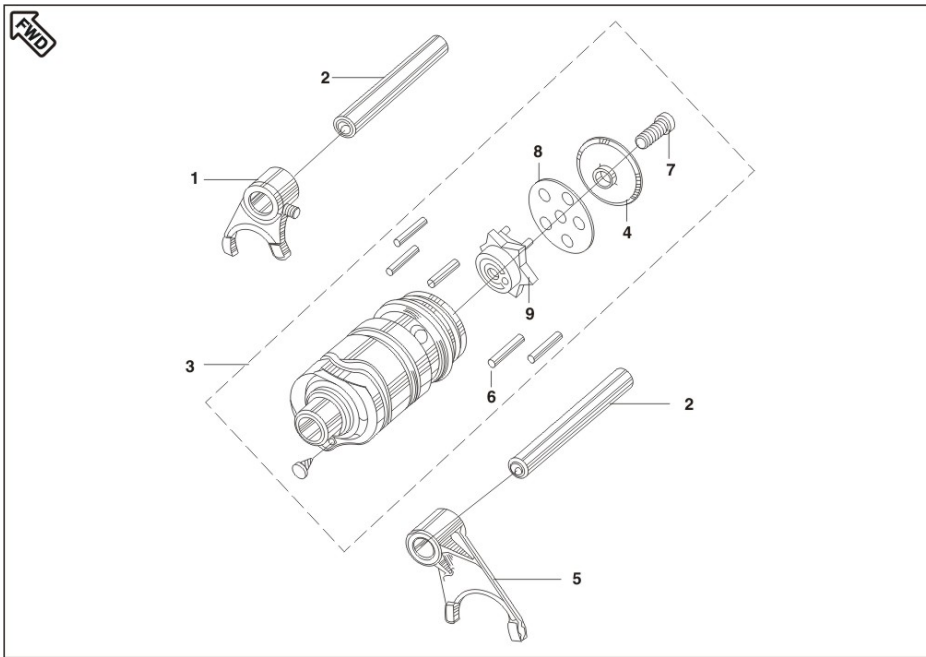


Fig No	Item Code	Description	Quantity	Serviceable	Chasis Number	With Effect From
1	31101191	FORK - SHIFT	1	Y		
2	31101051	ROD - SHIFT	2	Y		
3	DU101081	DRUM ASSEMBLY - CHANGE	1	Y		
4	DM101098	CUP - STOPPER	1	Y		
5	31101192	FORK - SHIFT	1	Y		
6	39099206	DOWEL	5	Y		
7	DP101340	BOLT - SOCKET :- M6	1	Y		
8	DM101099	PLATE - SPACER	1	Y		
9	DU101083	CAM DRUM CHANGE	1	Y		

Model Code: "001MC623" Model Name: "Bajaj Platina"

Plate Code: "8" Plate Description: "GEAR CHANGE MECHANISM"

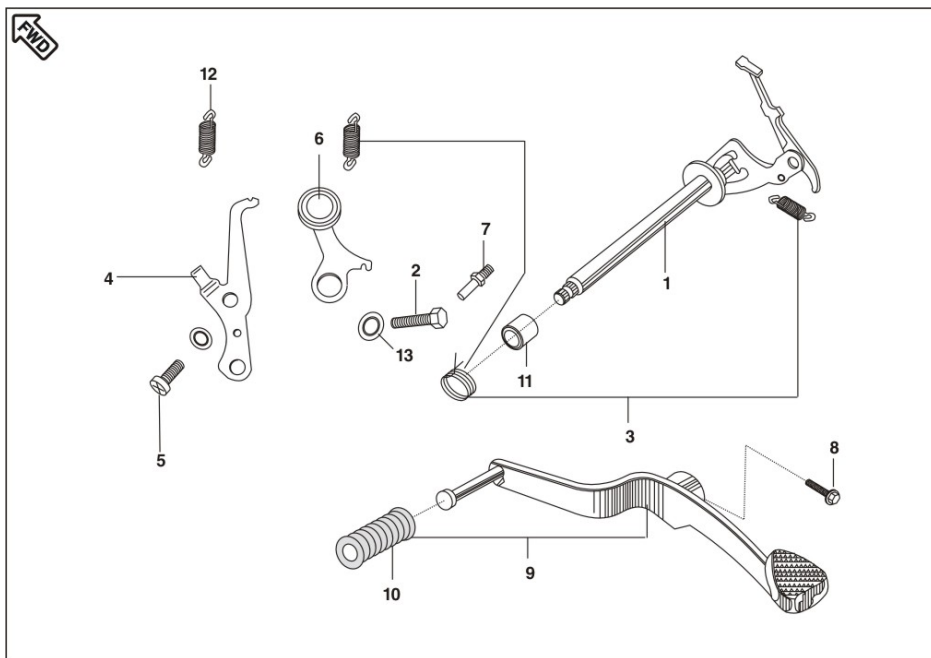


Fig No	Item Code	Description	Quantity	Serviceable	Chasis Number	With Effect From
1	DU101184	LEVER COMPLETE CHANGE SHAFT	1	Y		
2	39199404	BOLT - UPSET :- M6	1	Y		
3	36DU1004	GEAR - LEVER SPRING KIT - CT 100	1	Y		
4	DU101074	PLATE POSITION	1	Y		
5	39074601	SCREW PAN CROSS - M6	1	Y		
6	DU101073	STOPPER COMP GEAR SHIFT DRUM	1	Y		
7	DD101106	BOLT - FLANGED (SPECIAL)	1	Y		
8	39247404	BOLT - HEXAGON HEAD WITH FLANGE :- M6	1	Y		
9	DU101185	LEVER CHANGE WITH DAMPER	1	Y		
10	31101108	DAMPER	1	Y		
11	31101109	COLLAR	1	Y		
12	39270411	WASHER (SPRING STEEL)	1	Y		
13	DU101092	SPACER	1	Y		

Model Code: "001MC623" Model Name: "Bajaj Platina"

Plate Code: "9" Plate Description: "CRANKCASE RH / ENGINE ASSEMBLY"

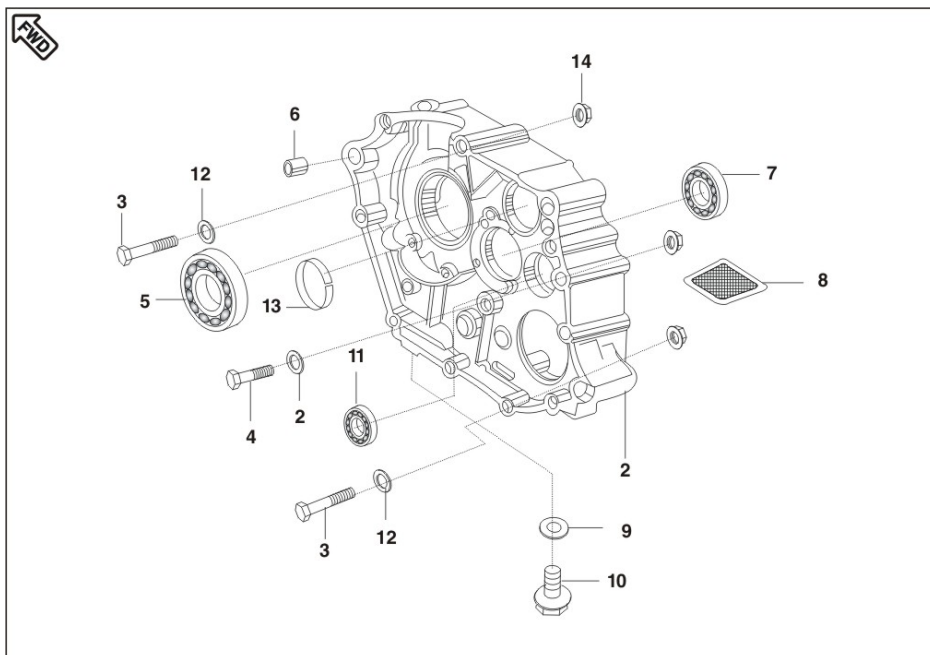


Fig No	Item Code	Description	Quantity	Serviceable	Chasis Number	With Effect From
1	DU101220	ENGINE ASSEMBLY WITH NEW GEAR TRAIN	1	Y		
2	DU101075	CRANKCASE COMP RH	1	Y		
2	DU70013N	CR CASE RH GRI GRAY COLOUR	1	Y		
3	39106804	BOLT - HEXAGON HEAD :- M10 X 1.25	2	Y		
4	39105604	BOLT - HEXAGON HEAD :- M10	1	Y		
5	39186420	BEARING - BALL :- 20 X 52 X 15	1	Y		
6	39099906	PIN - HOLLOW DOWEL	5	Y		
7	01170111	BEARING - BALL	1	Y		
8	DP101452	OIL STRAINER (WITH MESH IN STAINLESS STE	1	Y		
9	DG101498	GASKET	1	Y		
10	DD101275	PLUG (DRAIN)	1	Y		
11	01170110	BEARING - BALL	1	Y		
12	39024811	WASHER - PLAIN	3	Y		
13	DU101085	BUSHING	1	Y		
14	39122515	NUT - HEXAGON WITH FLANGE :- M10	3	Y		

Model Code: "001MC623" Model Name: "Bajaj Platina"

Plate Code: "10" Plate Description: "CRANKCASE LH"

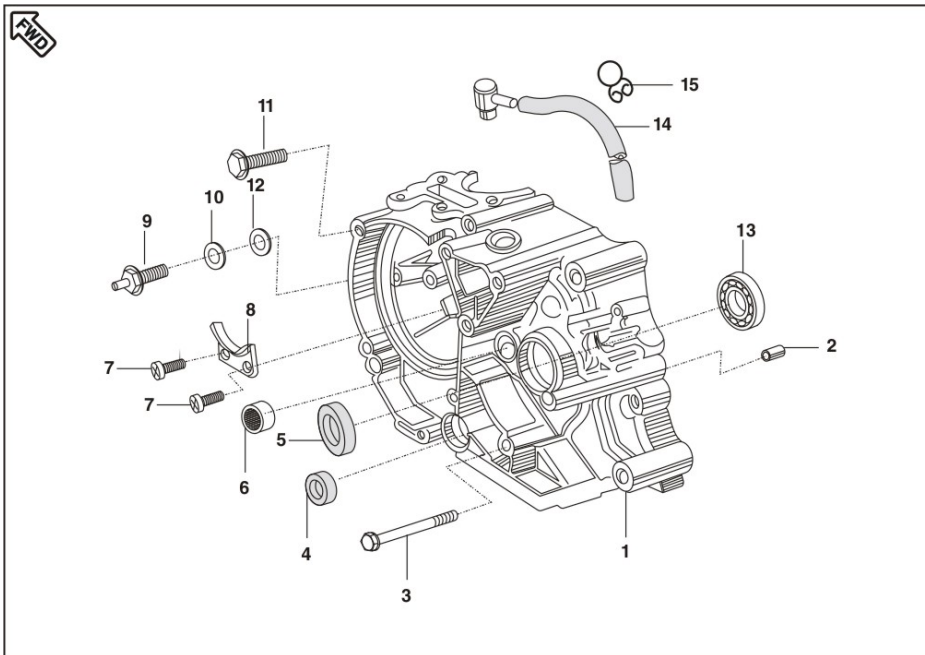


Fig No	Item Code	Description	Quantity	Serviceable	Chasis Number	With Effect From
1	52DZ0019	ASSEMBLY OF CRANK CASE LH WITH FITTING	1			
1	DD70013N	CR CASE LH GRI GRAY COLOUR	1	Y		
2	39105006	PIN - HOLLOW DOWEL	1	Y		
3	39106604	BOLT - FLANGED :- SMALL	3	Y		
4	39104319	SEAL - OIL	1	Y		
5	39108019	SEAL - OIL	1	Y		
6	39100820	BEARING - NEEDLE	1	Y		
7	39070201	SCREW PAN CROSS - M6	2	Y		
8	31101056	GUIDE	1	Y		
9	31201081	SWITCH - NEUTRAL	1	Y		
10	39070311	WASHER - PLAIN	1	Y		
11	39107504	BOLT - FLANGED :- SMALL	7	Y		
12	30101015	GASKET	1	Y		
13	01170111	BEARING - BALL	1	Y		
14	DD101219	TUBE - RUBBER	1	Y		
15	30141015	CLAMP	2	Y		

Model Code: "001MC623" Model Name: "Bajaj Platina"

Plate Code: "11" Plate Description: "PIPE OIL"

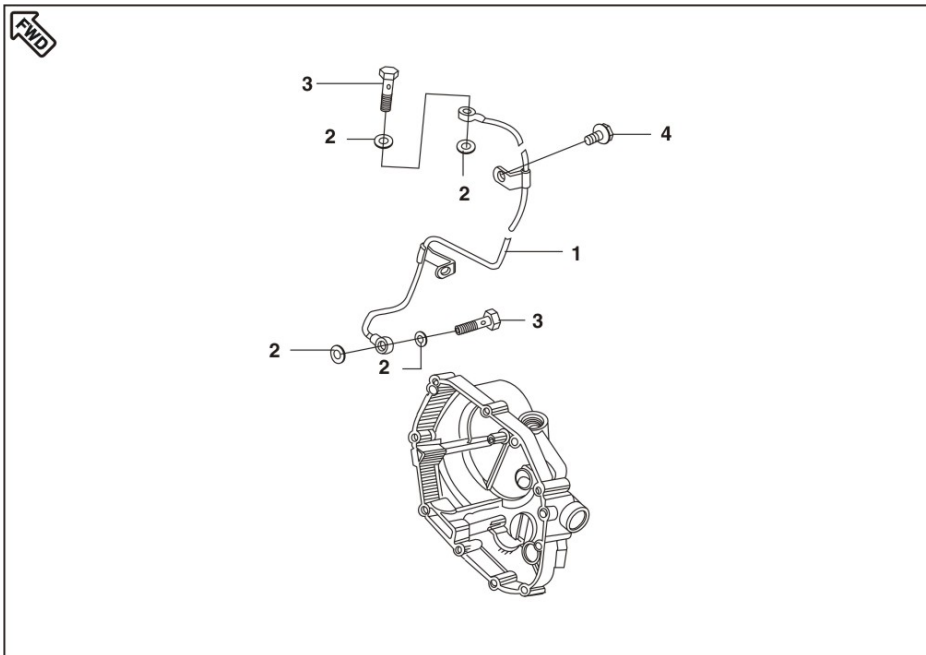


Fig No	Item Code	Description	Quantity	Serviceable	Chasis Number	With Effect From
1	DU121005	PIPE OIL	1	Y		
2	DD101517	GASKET (OIL PIPE)WITH COPPER PLATING INS	4	Y		
3	39102304	BOLT	2	Y		
4	39106204	BOLT - FLANGED :- SMALL	2	Y		

Model Code: "001MC623" Model Name: "Bajaj Platina"

Plate Code: "12" Plate Description: "COVER GENERATOR & COVER CHAIN "

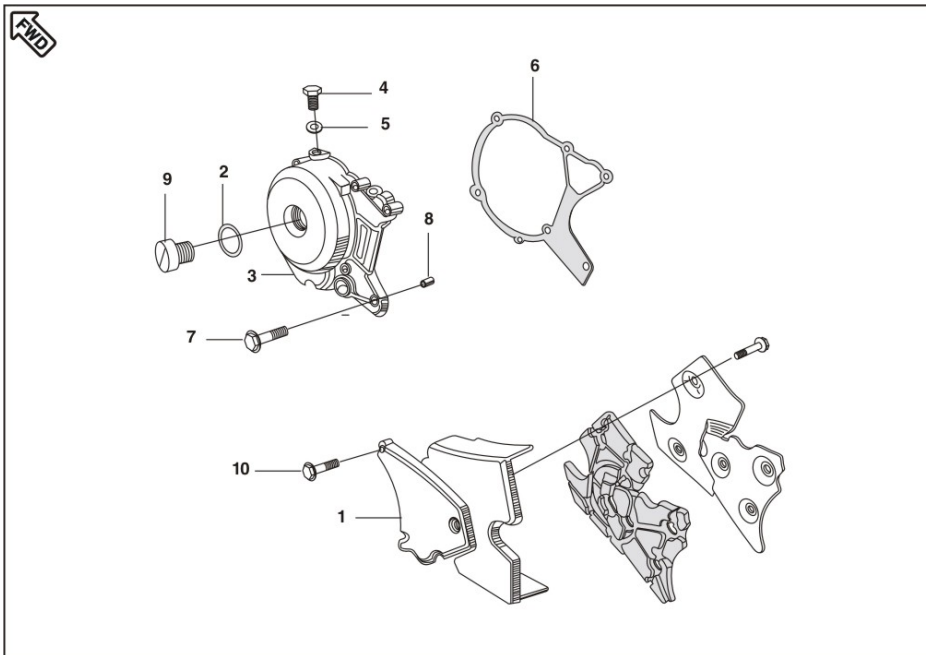


Fig No	Item Code	Description	Quantity	Serviceable	Chasis Number	With Effect From
1	DZ101001	COVER CHAIN (ENGINE)	1	Y		
2	39101921	RING - O	1	Y		
3	31101295	COVER - GENERATOR	1	Y		
4	31101060	PLUG	1	Y		
5	31101113	GASKET	1	Y		
6	DD101058	GASKET (GENERATOR COVER)	1	Y		
6	DM101139	GASKET (GEN. COVER)	1	Y		2006-12-01
7	39107404	BOLT - FLANGED :- SMALL	5	Y		
8	39099906	PIN - HOLLOW DOWEL	2	Y		
9	31101062	BOLT	1	Y		
10	39214704	BOLT - HEXAGON HEAD WITH FLANGE :- M6	3	Y		

Model Code: "001MC623" Model Name: "Bajaj Platina"

Plate Code: "13" Plate Description: "CLUTCH COVER"

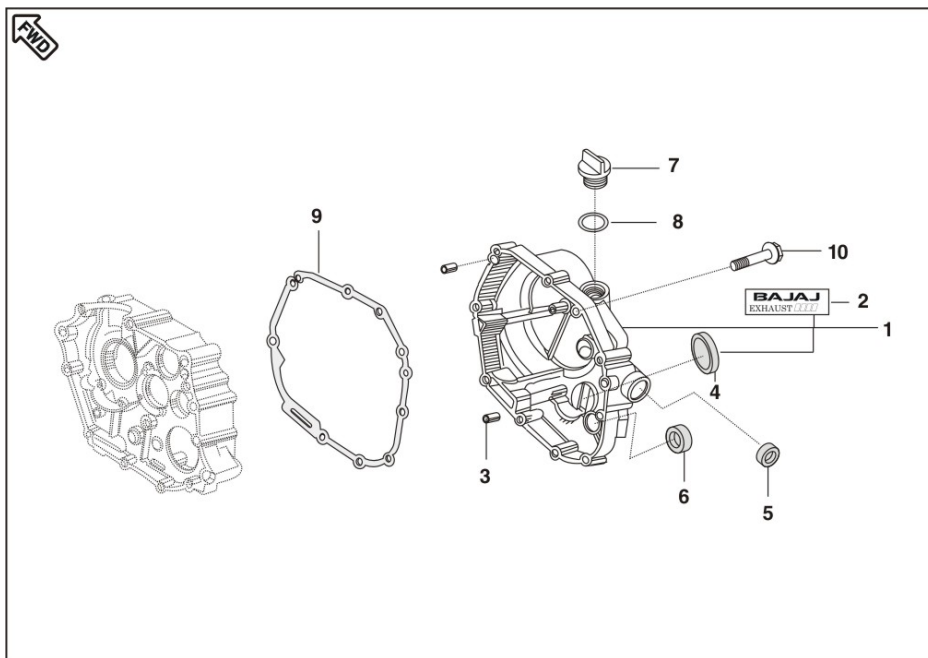


Fig No	Item Code	Description	Quantity	Serviceable	Chasis Number	With Effect From
1	DU70033N	CL COVER GRI GRAY COLOUR	1	Y		
1	DZ101047	CLUTCH COVER/GRAPHIC	1			
2	DZ101046	DECAL : LABEL-CLUTCH COVER	1	Y		
3	39099906	PIN - HOLLOW DOWEL	2	Y		
4	31101067	GAUGE	1	Y		
5	39104119	SEAL - OIL	1	Y		
6	30101142	SEAL - OIL	1	Y		
7	DD101325	CAP - OIL FILLER	1	Y		
8	39213421	RING - O	1	Y		
9	DD101060	GASKET (CLUTCH)	1	Y		
9	DM101140	GASKET (CLUTCH)	1	Y		2006-12-01
10	39107504	BOLT - FLANGED :- SMALL	10	Y		

Model Code: "001MC623" Model Name: "Bajaj Platina"

Plate Code: "14" Plate Description: "CLUTCH"

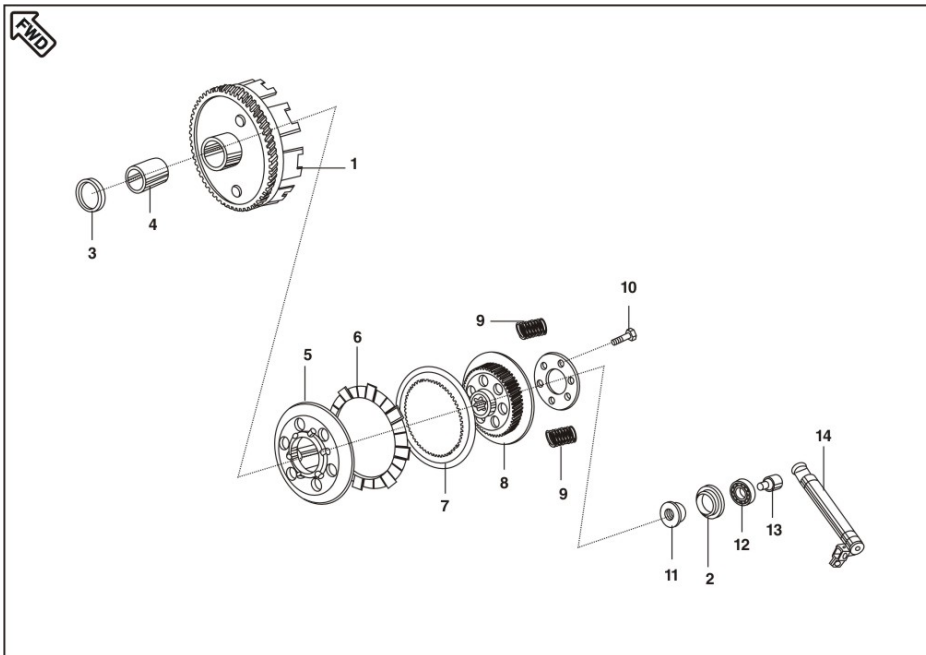


Fig No	Item Code	Description	Quantity	Serviceable	Chasis Number	With Effect From
1	DX101054	HOUSING COMP CLUTCH	1	Y		
2	28101195	HOLDER	1	Y		
3	39260011	WASHER - PLAIN	2	Y		
4	DU101109	COLLAR (CLUTCH)	1	Y		
5	DD101492	WHEEL - CLUTCH	1	Y		
6	DD101480	PLATE - FRICTION FOR 115 C.C. ENGINE	5	Y		
7	30101096	PLATE - CLUTCH	4	Y		
8	DD101493	SHUB - CLUTCH	1	Y		
9	28101214	SPRING	6	Y		
10	39098004	BOLT - HEXAGON HEAD	6	Y		
11	39105315	NUT - HEXAGON WITH FLANGE :- M14	1	Y		
12	39240320	BEARING - DEEP GROOVE BALL	1	Y		
13	31101148	ROD - PUSH	1	Y		
14	DX101035	ASSEMBLY LEVER COMPLETE CLUTCH	1	Y		

Model Code: "001MC623" Model Name: "Bajaj Platina"

Plate Code: "15" Plate Description: "KICK STARTER MECHANISM"

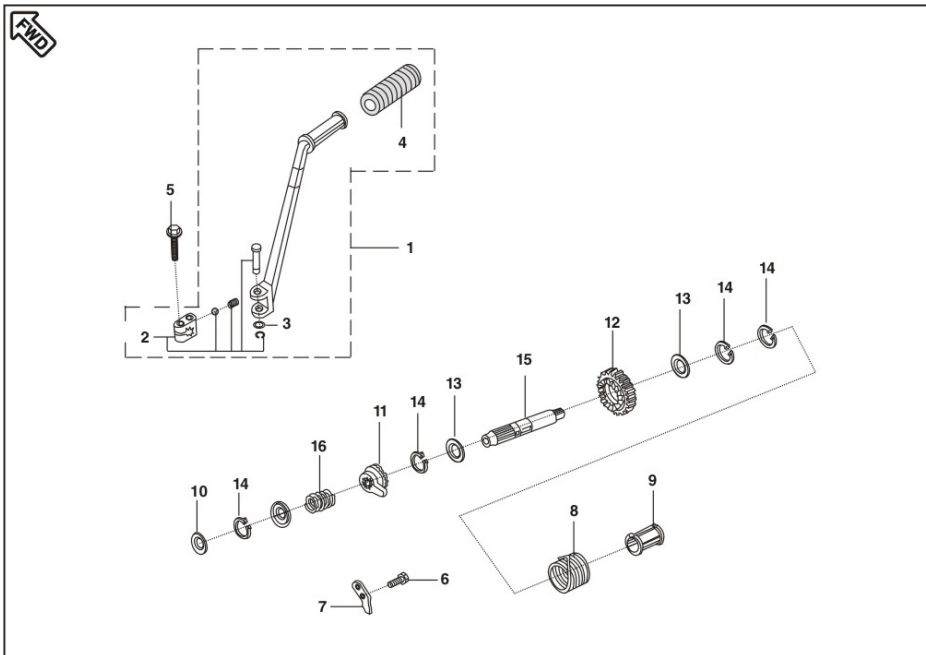


Fig No	Item Code	Description	Quantity	Serviceable	Chasis Number	With Effect From
1	DU101050	LEVER ASSEMBLY COMPLETE - KICK	1	Y		
2	36DU1007	BOSS KICK SET - CT 100	1	Y		
3	22150241	WASHER - PLAIN	1	Y		
4	30101154	BUSH	1	Y		
5	DP151018	BOLT FOR CALIPER MOUNTING	1	Y		
6	DD101264	SCREW - PAN CROSS :- PRE-COATED (M6)	2	Y		
7	DD101254	GUIDE - KICK	1	Y		
8	31101041	SPRING	1	Y		
9	31101040	GUIDE	1	Y		
10	39099311	WASHER - PLAIN	1	Y		
11	31101038	RATCHET	1	Y		
12	DU101038	GEAR SPUR KICK STARTOR	1	Y		
13	39099511	WASHER - PLAIN	2	Y		
14	39073817	EXTERNAL CIRCLIP TYPE C	4	Y		
15	DU101045	SHAFT - KICK	1	Y		
16	31101039	SPRING - COIL	1	Y		

Model Code: "001MC623" Model Name: "Bajaj Platina"

Plate Code: "16" Plate Description: "CARBURETTOR"

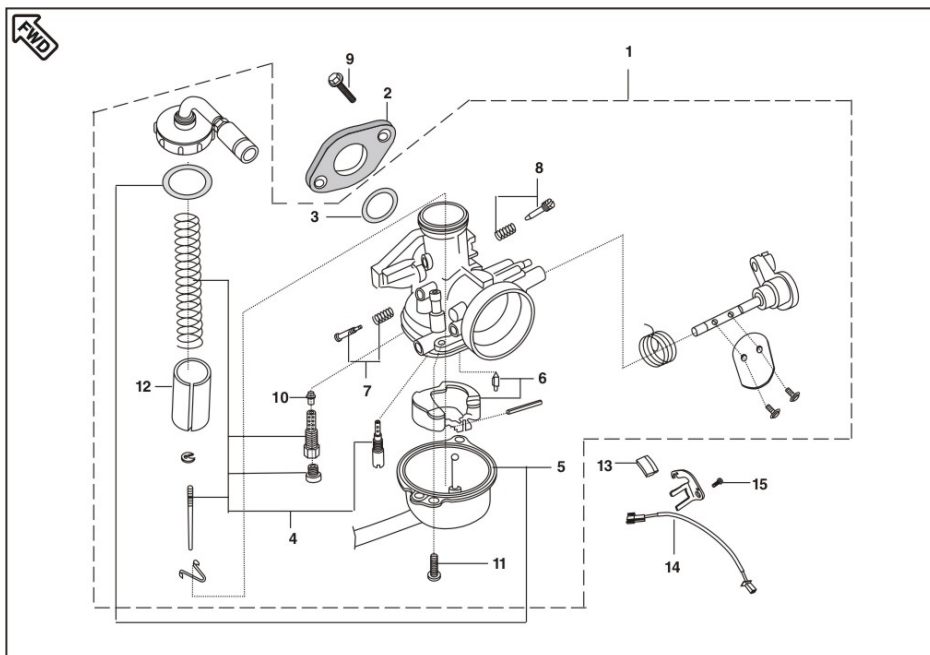


Fig No	Item Code	Description	Quantity	Serviceable	Chasis Number	With Effect From
1	DZ121006	CARBURETTOR ASSEMBLY	1	Y		
2	DU101057	INSULATOR BETWEEN CARB. AND INTAKE PIPE	1	Y		
3	39128321	RING - O	1	Y		
4	DZ121018	KIT CARB HOLDER/JET	1	Y		
5	36DU1204	GASKET O RING KIT FOR CARB.	1	Y		
6	36DU1205	CARBURETTOR FLOAT PIN KIT	1	Y		
7	36DU1202	IDLING SCREW KIT	1	Y		
8	DZ121015	KIT AIR CONTROL SCREW	1	Y		
9	39167504	BOLT - FLANGE :- M6	2	Y		
10	DZ121013	JET NEEDLE	1	Y		
11	DD121171	SCREW FOR CALIBER-115 CARBURETTOR	2	Y		
12	DZ121011	VALVE THROTTLE/PISTON VALVE	1	Y		
13	DH121101	MAGNET ASSEMBLY	1	Y		
14	DH121102	SWITCH ASSEMBLY - REED	1	Y		
15	39106204	BOLT - FLANGED :- SMALL	1	Y		

Model Code: "001MC623" Model Name: "Bajaj Platina"

Plate Code: "17" Plate Description: "AIR FILTER ASSEMBLY AND BATTERY BOX"

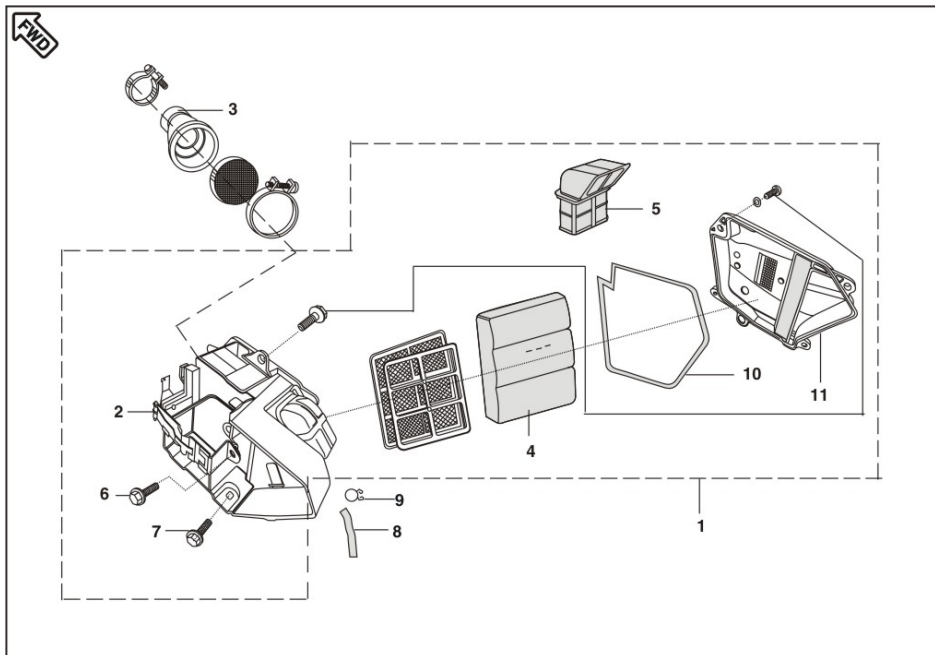


Fig No	Item Code	Description	Quantity	Serviceable	Chassis Number	With Effect From
1	52DZ0007	FILTER S/A WITH BREATHER TUBE(DZ121004)	1	Y		
2	DG161166	SCREW	1	Y		
3	DZ121003	DUCT (A/F TO CARB)	1	Y		
4	DP121034	ELEMENT - AIR FILTER	1	Y		
5	DP121007	DUCT (INTAKE)	1	Y		
6	39168004	BOLT - FLANGE :- M6	1	Y		
7	DP161094	BOLT - STEPPED :- M6	2	Y		
8	DP121022	TUBE (A/C - DRAIN)	1	Y		
9	DG121015	BREATHER	1	Y		
10	DM121007	RING - O :- AIR FILTER	1	Y		
11	DM121004	CAP	1	Y		

Model Code: "001MC623" Model Name: "Bajaj Platina"

Plate Code: "18" Plate Description: "SILENCER ASSEMBLY"

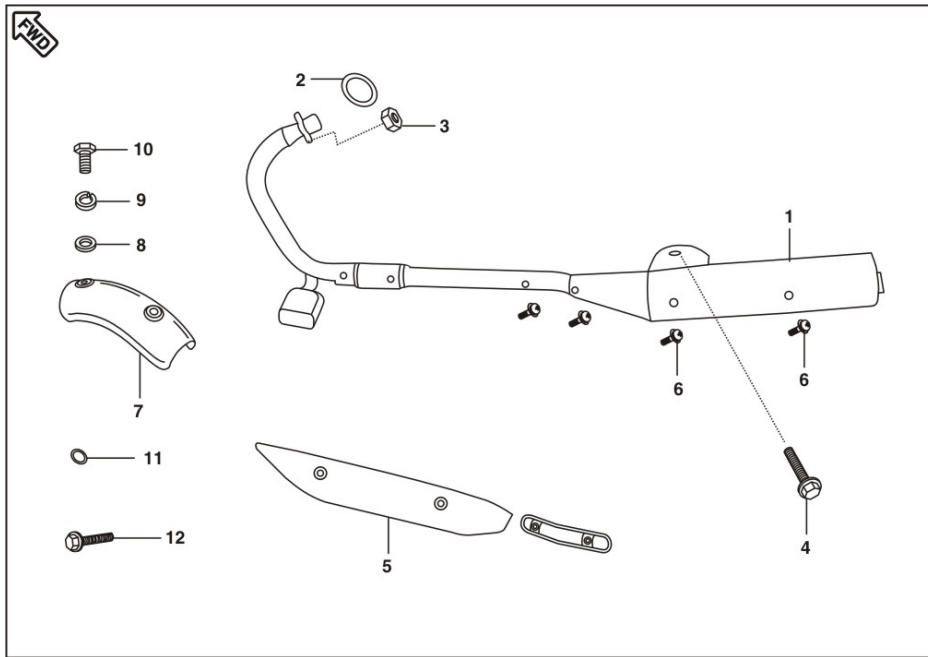


Fig No	Item Code	Description	Quantity	Serviceable	Chasis Number	With Effect From
1	DZ101027	ASSEMBLY SILENCER COMPLETE	1			
1	DZ101051	SILENCER ASSEMBLY WITHOUT SHIELDS	1	Y		
2	31101014	GASKET	1	Y		
3	DU101206	NUT FLANGE	1	Y		
4	DD101366	BOLT - FLANGE WITH DACRO TREATMENT	1	Y		
5	DZ101031	COVER MUFFLER REAR	1	Y		
6	DH101607	TRUSS SCREW	2	Y		
7	DZ101044	SHIELD CAT COVER	1	Y		
8	39019711	WASHER - PLAIN	1	Y		
9	39079012	WASHER - SPRING	2	Y		
10	39234501	SCREW - HEXAGON HEAD :- M5	1	Y		
11	CM101129	WASHER - PLAIN	1	Y		
12	CM101128	BOLT - HEX. HEAD WITH FLANGE :- M6	1	Y		
13	DZ101045	ASSEMBLY WIRE SHIELD	1			
14	39267504	BOLT - HEX. WITH FLANGE (M5 X 0.8 X 8)	2			

Model Code: "001MC623" Model Name: "Bajaj Platina"

Plate Code: "19" Plate Description: "OIL PUMP"

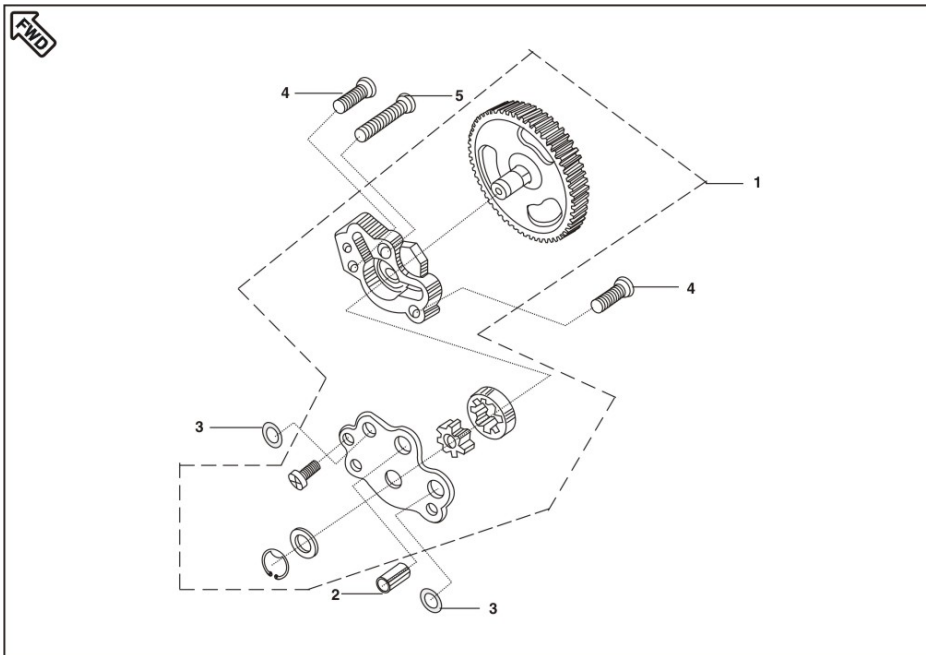


Fig No	Item Code	Description	Quantity	Serviceable	Chasis Number	With Effect From
1	DF121003	PUMP ASSEMBLY - OIL	1	Y		
2	39099906	PIN - HOLLOW DOWEL	1	Y		
3	39101321	RING - O	2	Y		
4	39107801	SCREW PAN CROSS - M6	2	Y		
5	39075301	SCREW PAN CROSS - M6	1	Y		

Model Code: "001MC623" Model Name: "Bajaj Platina"

Plate Code: "20" Plate Description: "MAGNETO ASSEMBLY"

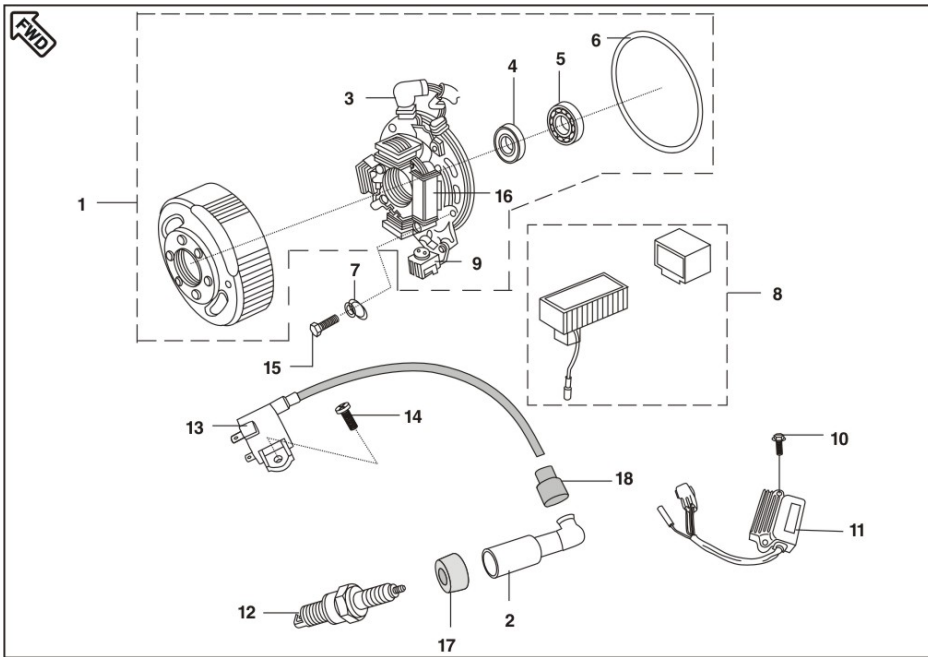


Fig No	Item Code	Description	Quantity	Serviceable	Chasis Number	With Effect From
1	DF111015	MAGNETO WITH BEARING+OIL SEAL+O RING	1	Y		
2	DD111048	CAP - SPARK PLUG :- RESISTIVE 1K-OHM	1	Y		
3	DF111020	STARTER ASSEMBLY:COUPLER+CAP FOR `BOXER'	1	Y		
4	39104219	SEAL - OIL	1	Y		
5	39100320	BEARING - BALL - 17 X 35 X 10	1	Y		
6	39102821	RING - O	1	Y		
7	39165911	WASHER - PLAIN	3	Y		
8	DZ111002	CDI INTELLIGENT	1	Y		
9	31111058	COIL ASSEMBLY - PULSER	1	Y		
10	39155304	BOLT - FLANGE :- M6	2	Y		
11	DU201062	REGULATOR / RECTIFIER UNIT	1	Y		
12	DD111018	PLUG - SPARK (FOR CHAMPION P-RZ9HC)	1	Y		
13	DF111040	COIL - H. T. WITH EXTENDED I CORE	1	Y		
14	39074501	SCREW PAN CROSS - M6	1	Y		
15	DD101318	BOLT :- PRE-COATED	3	Y		
16	31111056	COIL ASSEMBLY - EXCITOR	1	Y		
17	DD111011	GROMMET - SPARK PLUG CAP	1	Y		
18	DD111012	GROMMET FOR H. T. CABLE	1	Y		

Model Code: "001MC623" Model Name: "Bajaj Platina"

Plate Code: "21" Plate Description: "FRAME"

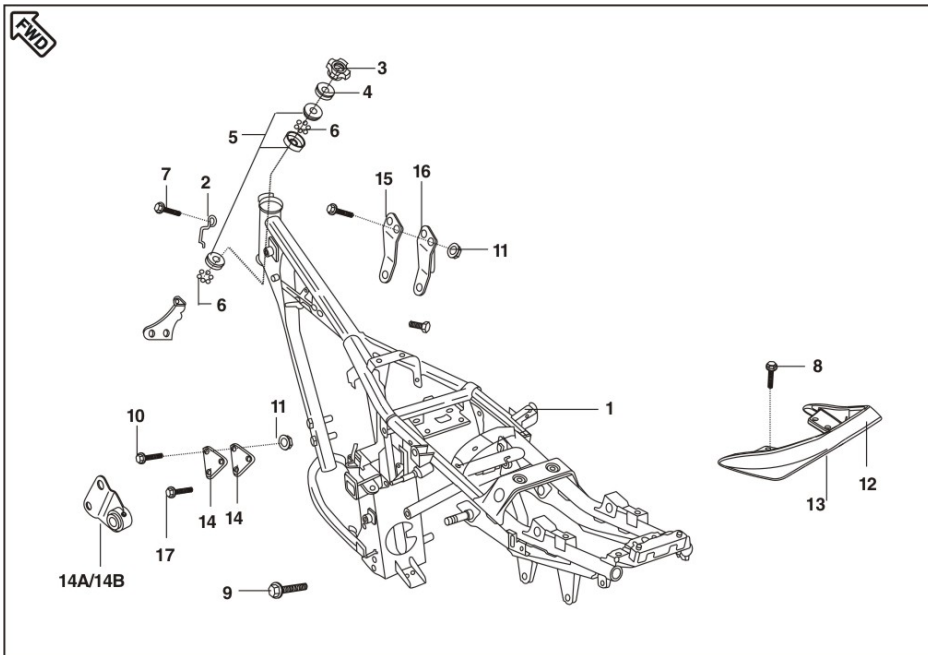


Fig No	Item Code	Description	Quantity	Serviceable	Chasis Number	With Effect From
1	DZ161054	FRAME COMPLETE WITH BEARING RACE (S/P)	1	Y		
2	31191002	CLAMP	1	Y		
3	DF181090	NUT - STEERING BEARING	1	Y		
4	DF181052	CAP - STEERING :- LONGER	1	Y		
5	36DS1802	BEARING CONE KIT	1	Y		
6	30181006	BALL - STEEL	46	Y		
7	39155104	BOLT - FLANGE	3	Y		
8	39222204	BOLT - FLANGED :- M8	1	Y		
9	39270204	BOLT - FLANGED :- M10	1	Y		
10	59040018	BOLT FLANGED M8	1	Y		
11	59150005	NUT FLANGED M8	2	Y		
12	DZ221002	GRIP - FRAME	1	Y		
13	DP221001	GRIP - FRAME	1	Y		
14	DU161093	BRACKET-ENGINE FRONT LH WITH SILENT BUSH	1	Y		
15	DD161053	BRACKET - ENGINE	1	Y		
16	DF161168	BRACKET - ENGINE :- UPPER - RH	1	Y		
17	59040017	BOLT FLANGED M8	1	Y		

Model Code: "001MC623" Model Name: "Bajaj Platina"

Plate Code: "22" Plate Description: "SWING ARM / REAR SHOCK ABSORBER"

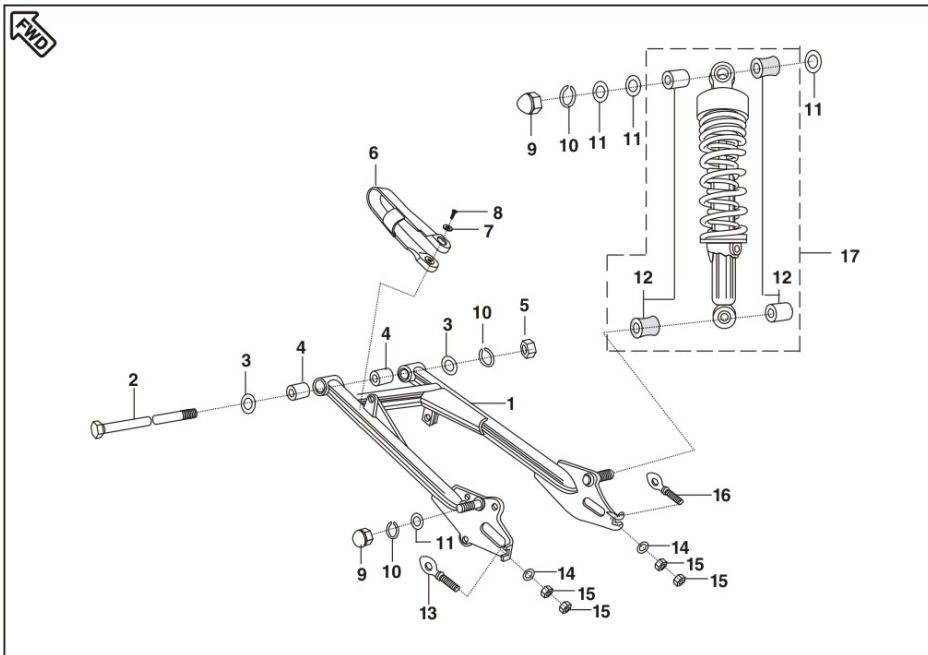


Fig No	Item Code	Description	Quantity	Serviceable	Chasis Number	With Effect From
1	DZ171001	ARM-COMP-SWING	1	Y		
1	DZ171010	ARM-COMP-SWING	1	Y		
1	DZ171015	ARM COMPLETE - SWING WITH BUSH	1	Y		2008-01-08
2	DZ171007	SHAFT SWING ARM	1	Y		
3	39078111	WASHER - PLAIN	4	Y		
4	DP171006	BUSHING - RUBBER	2	Y		
5	39093915	NUT - HEX. NYLOC	1	Y		
6	DZ171009	DAMPER FOR SWING ARM	1	Y		
7	39045411	PLAIN WASHER	2	Y		
8	39055302	SELF TAPPING SCREW	2	Y		
9	39071215	NUT - DOMED CAP :- M12	4	Y		
10	39073712	WASHER - SPRING	4	Y		
11	39071411	WASHER - PLAIN	8	Y		
12	36DF1701	KIT BUSH SHOCKER	1	Y		
13	15151061	ADJUSTER - CHAIN :- RIGHT HAND	1	Y		
13	30171023	ADJUSTER - CHAIN :- LH	1	Y		2008-01-08
14	39071111	WASHER - PLAIN	2	Y		
15	39029215	NUT - HEXAGON :- M6 X 1	4	Y		
15	39080115	NUT - HEXAGON :- M20 X 1	1	Y		2008-01-08
16	15151062	ADJUSTER - CHAIN :- LEFT HAND	1	Y		
16	30171024	ADJUSTER - CHAIN :- RH				
17	DM171025	SHOCKABSORBER	2	Y		

Model Code: "001MC623" Model Name: "Bajaj Platina"

Plate Code: "23" Plate Description: "STAND ,STEP AND STAY LH/RH"

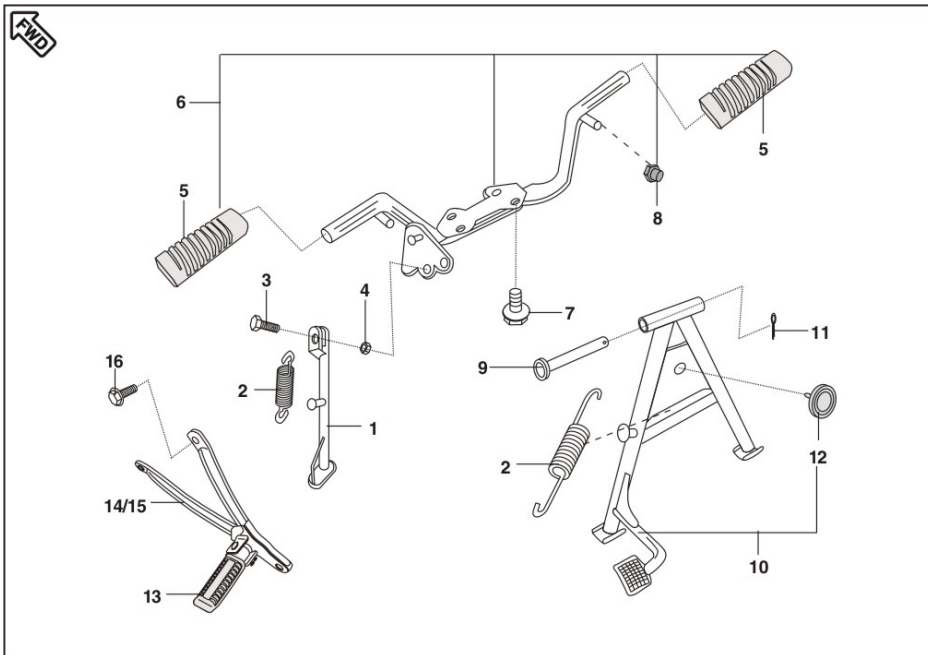


Fig No	Item Code	Description	Quantity	Serviceable	Chasis Number	With Effect From
1	DL161048	STAND - SIDE	1	Y		
2	30161158	SPRING	2	Y		
3	DF161102	BOLT FOR SIDE STAND MOUNTING	1	Y		
4	39042215	NUT - NYLOC :- M10	1	Y		
5	DF161413	DAMPER - STEP :- FRONT IN `PVC`	2	Y		
6	DF161425	HOLDER STEP ASSY WITH SQUARE SHAPED PVC	1	Y		
7	39248104	BOLT - HEXAGON HEAD WITH FLANGE :- M8	4	Y		
8	DH161194	STOPPER - KICK	1	Y		
9	30161157	SHAFT - STAND	1	Y		
10	DU161032	STAND - CENTER WITH DAMPER	1	Y		
11	39078708	PIN COTTER	1	Y		
12	DG161124	DAMPER	1	Y		
13	DX161056	RUBBER PILLION STEP	2	Y		
14	DZ161033	STAY-LEFT	1	Y		
15	DZ161034	STAY-RIGHT	1	Y		
16	DH161178	SPACER I - MAIN STEP	1			
17	22150451	SCREW - CYLINDER SECURING	2			

Model Code: "001MC623" Model Name: "Bajaj Platina"

Plate Code: "24" Plate Description: "FENDER -FRONT & REAR"

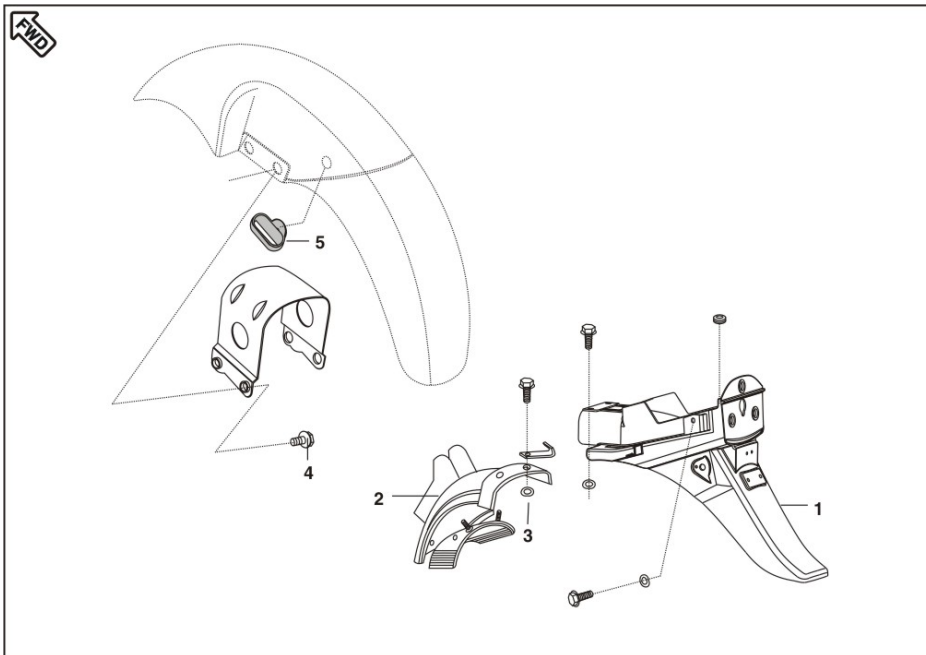


Fig No	Item Code	Description	Quantity	Serviceable	Chasis Number	With Effect From
1	DP161007	FENDER - REAR	1	Y		
2	DP161006	FENDER - REAR :- FRONT	1	Y		
3	DP161094	BOLT - STEPPED :- M6	1	Y		
4	39222204	BOLT - FLANGED :- M8	4	Y		
5	DJ161068	GUIDE - CABLE	1	Y		
6	DS161125	GUIDE - CABLE	1			
7	DP181013	BRACKET - FORK SIDE	1			

Model Code: "001MC623" Model Name: "Bajaj Platina"

Plate Code: "25" Plate Description: "WHEEL RIM / SPOKES / TYRE /TUBE"

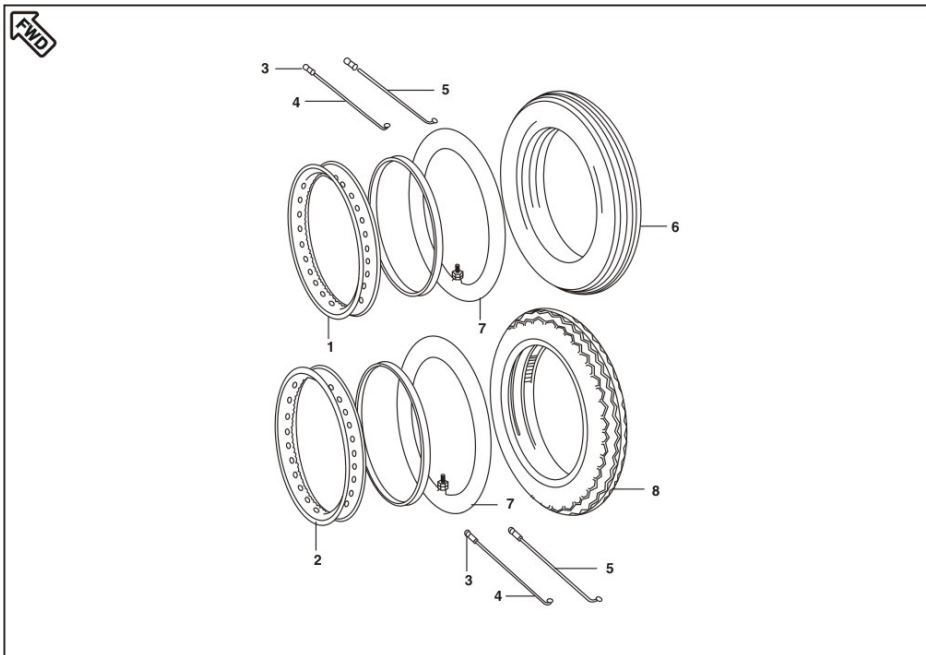


Fig No	Item Code	Description	Quantity	Serviceable	Chasis Number	With Effect From
1	DM151029	RIM - 1.60 X 17 FOR DRUM BRAKE:-DIA. 110	1	Y		
2	DU151018	RIM - 1.85 X 17 FOR DRUM BRAKE DIA. 110	1	Y		
3	16151066	NIPPLE - SPOKE	72	Y		
4	DU151025	SPOKE : SPOKE INNER DIA 3.5	18	Y		
5	DU151026	SPOKE : SPOKE OUTER DIA 3.5	18	Y		
6	DS151048	TYRE 2.75 X 17	1	N		
7	DS151049	TUBE 2.75 X 17	2	N		
8	DS151053	TUBE 3 X 17	1	N		

Model Code: "001MC623" Model Name: "Bajaj Platina"

Plate Code: "26" Plate Description: "TYRE / TUBE / RIM"

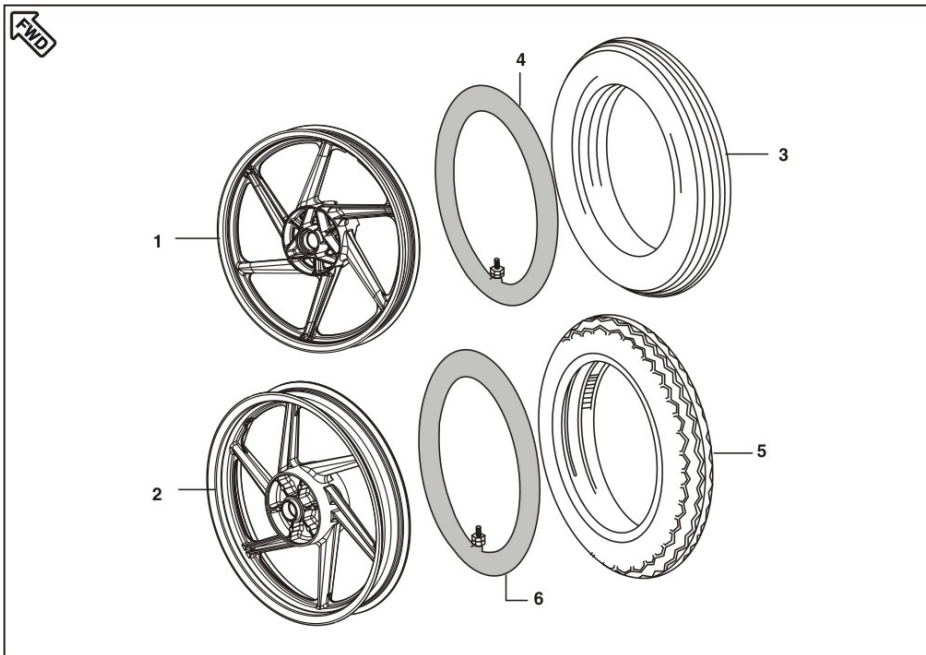


Fig No	Item Code	Description	Quantity	Serviceable	Chasis Number	With Effect From
1	DS151066	WHEEL 1.6 X 17 DRUM DIE CAST	1	Y		
1	JB131001	WHEEL FRONT - 1.4 X 17 DRUM	1	Y		
2	DX151020	WHEEL 1.85 X 17 DC- 4 RUBBER	1	Y		
2	JB131201	WHEEL REAR - 1.6 X 17 DRUM 110	1	Y		
2	JB131203	WHEEL REAR 1.6X17 DRUM	1	Y		2008-01-08
3	DS151048	TYRE 2.75 X 17	1	N		
4	DS151049	TUBE 2.75 X 17	1	N		
5	DS151031	TYRE :- 100 / 90 X 17	1	N		
6	DS151029	TUBE :- 90 / 90 X 17	1	N		

Model Code: "001MC623" Model Name: "Bajaj Platina"

Plate Code: "27" Plate Description: "FRONT HUB"

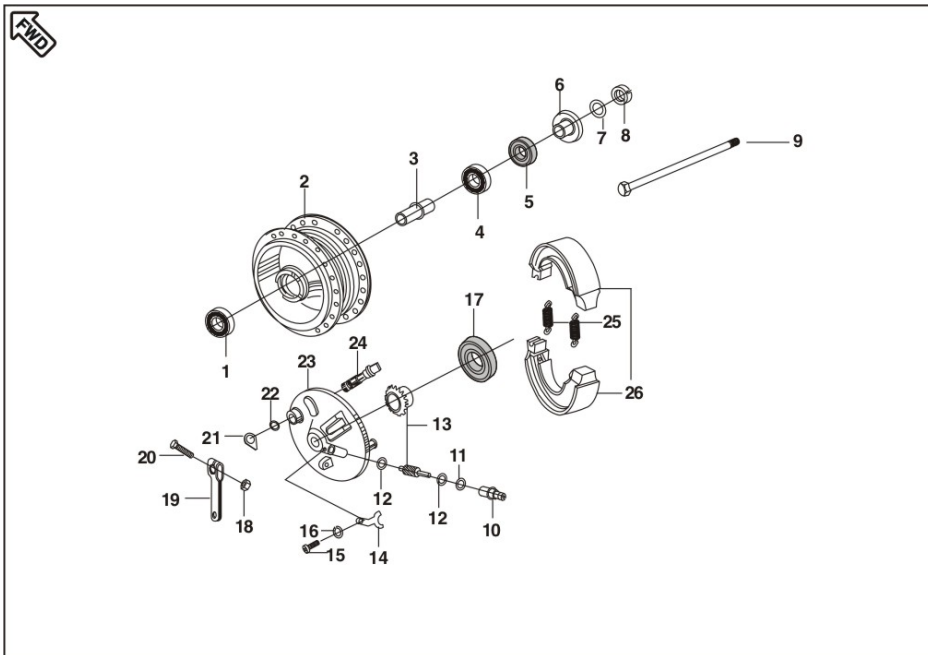


Fig No	Item Code	Description	Quantity	Serviceable	Chasis Number	With Effect From
1	39268020	BEARING - BALL :- 10X35X11 - 6300 IRS/C3	1	Y		
2	DF151003	DRUM - FRONT	1	Y		
3	31151004	COLLAR	1	Y		
4	39268120	BEARING - BALL :- 10X30X9 - 6200 IRS/C3	1	Y		
5	14151021	SEAL - OIL :- 30 X 17 X 6	1	Y		
6	DUI51005	COLLAR ASSEMBLY - AXLE	1	Y		
7	39024811	WASHER - PLAIN	1	Y		
8	39098115	NUT - HEXAGON SLOTTED :- M10 X 1.25	1	Y		
9	DZ151012	AXLE	1	Y		
10	30151119	BUSHING	1	Y		
10	JAI31606	BUSHING				
11	39101321	RING - O	1	Y		
11	39156121	RING - O				
12	30151042	WASHER - A	2	Y		
13	36DZ0007	KIT GEAR METER SCREW SW (PLATINA)	1	Y		
14	30151118	STOPPER FOR BUSHING	1	Y		
15	39084001	SCREW PAN CROSS - M4	1	Y		
16	39090012	WASHER - SPRING	1	Y		
17	31151014	SEAL - OIL	1	Y		
18	39079815	NUT - HEXAGON WITH FLANGE :- M6	1	Y		
19	DD151008	LEVER - BRAKE CAM	1	Y		
20	39077504	BOLT - HEXAGON :- M6 X 1	1	Y		
21	DD151009	INDICATOR FOR FRONT	1	Y		
22	30151038	RING - O	1	Y		
23	31151039	PANEL - FRONT BRAKE	1	Y		
23	DZ151030	PANEL - FRONT BRAKE				
24	31151011	CAM - BRAKE	1	Y		
25	30151037	SPRING	2	Y		
26	31151060	SHOE ASSEMBLY - BRAKE FOR SPARE PART	2	Y		

Model Code: "001MC623" Model Name: "Bajaj Platina"

Plate Code: "28" Plate Description: "FRONT HUB (For alloy wheel)"

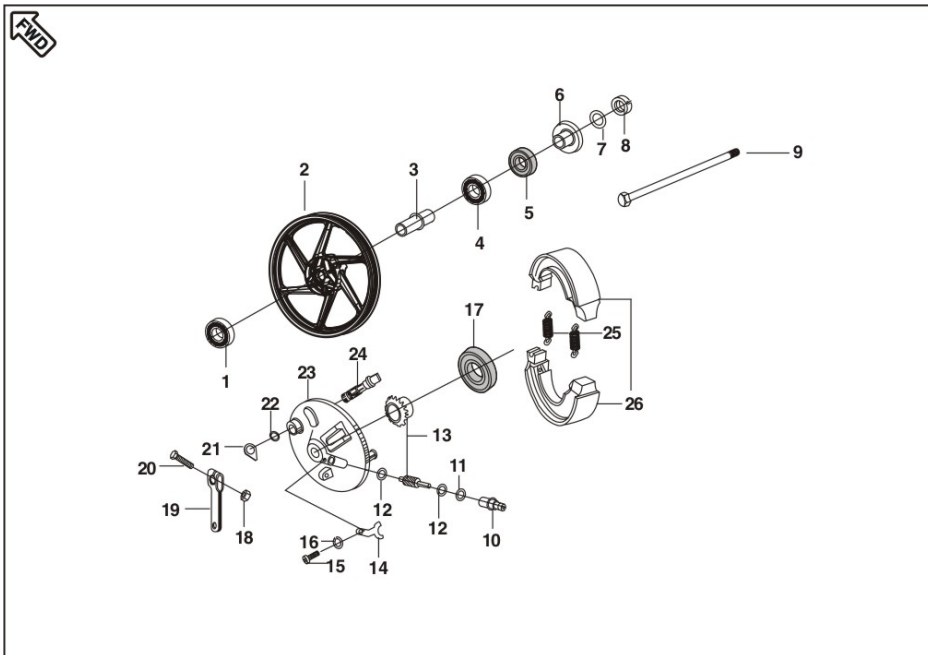
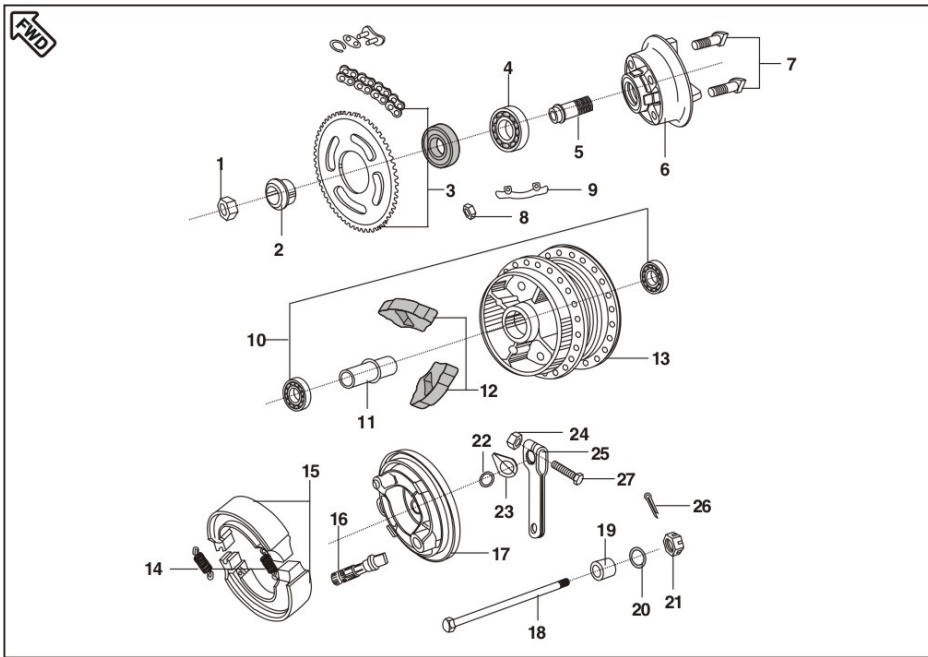


Fig No	Item Code	Description	Quantity	Serviceable	Chasis Number	With Effect From
1	39268820	BEARING - BALL :- 6301 RS1/C3 (12X37X12)	1	Y		
2	DS151066	WHEEL 1.6 X 17 DRUM DIE CAST	1	Y		
3	30151032	COLLAR - BEARING	1	Y		
4	39268120	BEARING - BALL :- 10X30X9 - 6200 1RS/C3	1	Y		
5	30151033	SEAL - OIL	1	Y		
6	30151122	COLLAR ASSEMBLY	1	Y		
7	39024811	WASHER - PLAIN	1	Y		
8	59150003	NUT U - M12	1	Y		
9	DZ151014	AXLE	1	Y		
10	30151119	BUSHING	1	Y		
11	39101321	RING - O	1	Y		
12	30151042	WASHER - A	2	Y		
13	36DZ0008	KIT GEAR METER SCREW AW (PLATINA)	1	Y		
14	30151118	STOPPER FOR BUSHING	1	Y		
15	39084001	SCREW PAN CROSS - M4	1	Y		
16	39090012	WASHER - SPRING	1	Y		
17	31151014	SEAL - OIL	1	Y		
18	39079815	NUT - HEXAGON WITH FLANGE :- M6	1	Y		
19	DD151008	LEVER - BRAKE CAM	1	Y		
20	39077504	BOLT - HEXAGON :- M6 X 1	1	Y		
21	DD151009	INDICATOR FOR FRONT	1	Y		
22	30151038	RING - O	1	Y		
23	DD151013	PANEL - BRAKE :- FRONT	1	Y		
24	30151004	CAM BRAKE ASSLY	1	Y		
25	30151069	SPRING	2	Y		
26	30151068	SHOE - BRAKE	2	Y		

Model Code: "001MC623" Model Name: "Bajaj Platina"

Plate Code: "29" Plate Description: "REAR HUB"



Bajaj Platina

Fig No	Item Code	Description	Quantity	Serviceable	Chasis Number	With Effect From
1	39098815	NUT - HEXAGON :- M18 X 1.5	1	Y		
2	30151005	INDICATOR	1	Y		
3	36DZ0002	KIT CHAIN SPROCKET (PLATINA)	1	Y		
4	39224020	BEARING - BALL	1	Y		
5	DZ151002	SLEEVE	1	Y		
6	DU151010	COUPLING	1	Y		
7	39097804	BOLT - `D' :- M10	4	Y		
8	39079415	NUT - HEXAGON FINE :- M10 X 1.25	4	Y		
9	31151029	WASHER	2	Y		
10	36DU1506	REAR WHEEL BRG KIT - CT 100	1	Y		
11	31151018	COLLAR - BEARING	2	Y		
12	31151021	DAMPER - SHOCK	4	Y		
13	DU151009	DRUM - REAR	1	Y		
14	30151069	SPRING	2	Y		
15	31151007	SHOE - BRAKE	1	Y		
16	31151023	CAM - BRAKE	1	Y		
17	31151024	PANEL - REAR BRAKE	1	Y		
18	DZ151010	AXLE	1	Y		
19	DZ151004	COLLAR	1	Y		
20	39071411	WASHER - PLAIN	1	Y		
21	59150003	NUT U - M12	1	Y		
22	30151038	RING - O	1	Y		
23	DZ151003	COLLAR	1	Y		
24	39079815	NUT - HEXAGON WITH FLANGE :- M6	1	Y		
25	31151037	LEVER - BRAKE	1	Y		
26	39078708	PIN COTTER	1	Y		

Model Code: "001MC623" Model Name: "Bajaj Platina"

Plate Code: "30" Plate Description: "REAR HUB (For alloy wheel)"

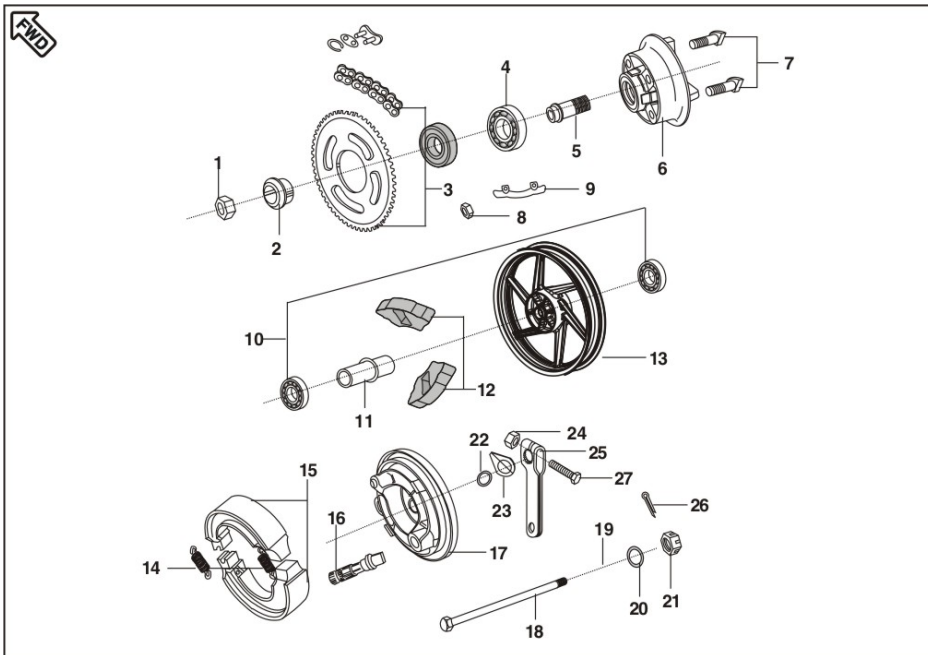


Fig No	Item Code	Description	Quantity	Serviceable	Chasis Number	With Effect From
1	39098815	NUT - HEXAGON :- M18 X 1.5	1	Y		
2	30151005	INDICATOR	1	Y		
3	36DZ0002	KIT CHAIN SPROCKET (PLATINA)	1	Y		
4	39224020	BEARING - BALL	1	Y		
4	39268620	BEARING - BALL 6202 RS1/C3 - 15X35X11	1	Y		2008-01-08
5	DZ151002	SLEEVE	1	Y		
5	DZ151019	SLEEVE	1	Y		2008-01-08
6	DU151010	COUPLING	1	Y		
7	DZ151018	STUD	4	Y		
8	39080115	NUT - HEXAGON :- M20 X 1	4	Y		
9	31151029	WASHER	2	Y		
10	36DU1506	REAR WHEEL BRG KIT - CT 100	1	Y		
11	30151075	COLLAR - BEARING	1	Y		2008-01-08
11	31151018	COLLAR - BEARING	2	Y		
12	DX151025	COUPLING RUBBER - INTEGRAL	4	Y		
14	30151069	SPRING	2	Y		
15	31151008	BRAKE SHOE	1	Y		
16	31151023	CAM - BRAKE	1	Y		
17	DS151069	PANEL BRAKE REAR - 4 RUBBER	1	Y		
17	DZ151016	PANEL ASSEMBLY - BRAKE :- REAR	1	Y		2008-01-08
18	DZ151021	AXLE	1	Y		
19	DZ151004	COLLAR	1	Y		
20	39071411	WASHER - PLAIN	1	Y		
21	DH171019	NUT - U :- SWING ARM	1	Y		
22	30151038	RING - O	1	Y		
23	DZ151020	COLLAR	1	Y		
24	39079815	NUT - HEXAGON WITH FLANGE :- M6	1	Y		
25	31151037	LEVER - BRAKE	1	Y		
25	JAI31607	LEVER BRAKE	1			
26	39078708	PIN COTTER	1	Y		

Model Code: "001MC623" Model Name: "Bajaj Platina"

Plate Code: "31" Plate Description: "BRAKE PEDAL"

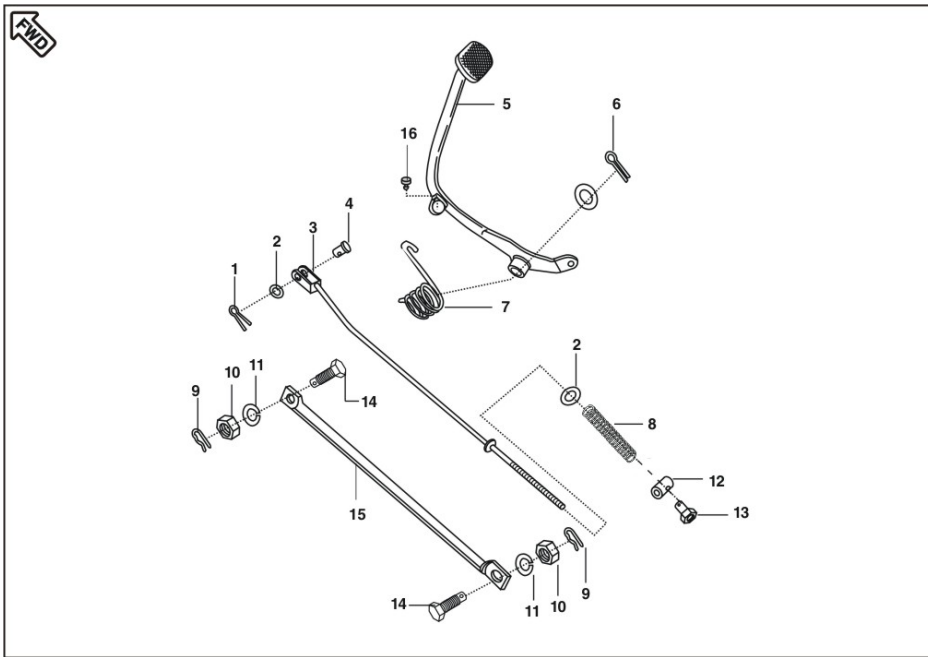


Fig No	Item Code	Description	Quantity	Serviceable	Chasis Number	With Effect From
1	39080808	PIN - SPLIT	1	Y		
2	39019811	WASHER - PLAIN	2	Y		
3	DP191002	ROD - BRAKE	1	Y		
3	DZ191001	ROD-BRAKE	1	Y		
3	DZ191011	ROD BRAKE	1	Y		2008-01-08
4	30191038	PIN	1	Y		
5	DZ191004	LEVER-BRAKE TUBLAR	1	Y		
6	39079708	PIN - COTTER	1	Y		
7	30191031	SPRING	1	Y		
8	30191035	SPRING	1	Y		
9	39080708	PIN - SNAP	2	Y		
10	39070815	HEXAGON NUT-M10 X 1.25	2	Y		
11	39078912	WASHER - SPRING	2	Y		
12	30191037	PIN	1	Y		
13	30191036	NUT - BRAKE ADJUSTER	1	Y		
14	30151095	BOLT - HEXAGON	2	Y		
15	DP151007	ROD - TORQUE	1	Y		
15	DZ151009	ROD TORQUE	1	Y		
15	DZ151031	ROD - TORQUE	1	Y		2008-01-08
16	DD161078	DAMPER	1	Y		

Model Code: "001MC623" Model Name: "Bajaj Platina"

Plate Code: "32" Plate Description: "HANDLE BAR"

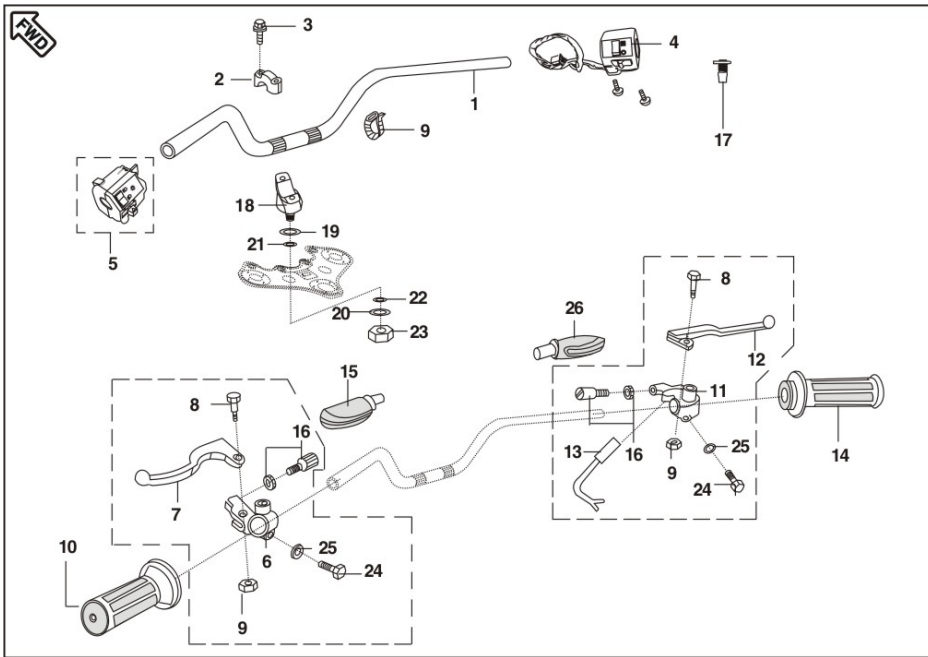


Fig No	Item Code	Description	Quantity	Serviceable	Chasis Number	With Effect From
1	DU181021	HANDLEBAR	1	Y		
2	FD181030	HOLDER - HANDLE :- UPPER	2	Y		
3	39107404	BOLT - FLANGED :- SMALL	4	Y		
4	DU201018	SWITCH - CONTROL :- RH	1	Y		
5	DD201155	CONTROL SWITCH LH FOR CALIBER 115	1	Y		
6	DL191012	HOLDER - LEVER :- LH WITHOUT BOOT	1	Y		
7	DL191013	LEVER - GRIP :- LEFT	1	Y		
8	DL191014	STUD - LEVER HANDLE	2	Y		
9	39118415	NUT - NYLOC :- M5 X 0.8	2	Y		
10	DU191009	GRIP - LEFT HAND	1	Y		
11	DD191141	HOLDER - LEVER :- RH	1	Y		
12	DD191142	LEVER - GRIP :- RIGHT	1	Y		
13	DD201170	SWITCH ASSEMBLY (WITH LEVER)	1	Y		
14	DU191003	GRIP ASSEMBLY - RIGHT HAND	1	Y		
15	DD191144	BOOT - FOR LEVER LH	1	Y		
16	36DU1901	CABLE ADJ.KIT - CT 100	1	Y		
17	DU201046	PLUNGER & SPRING FOR CONTROL SWITCH - RH	1	Y		
18	FD181031	HOLDER ASSEMBLY - HANDLE :- LOWER	2	Y		
19	DF181091	DAMPER - HANDLE HOLDER :- UPPER	2	Y		
20	DF181092	DAMPER - HANDLE HOLDER :- LOWER	2	Y		
21	FD181019	WASHER - PLAIN	2	Y		
22	FD181020	WASHER - PLAIN	2	Y		
23	39224915	NUT - NYLOC :- M10	2	Y		
24	39072504	BOLT - HEXAGON :- M6 X 1	2	Y		
25	39019811	WASHER - PLAIN	2	Y		
26	DD191143	BOOT - FOR LEVER RH	1	Y		

Model Code: "001MC623" Model Name: "Bajaj Platina"

Plate Code: "33" Plate Description: "FRONT FORK"

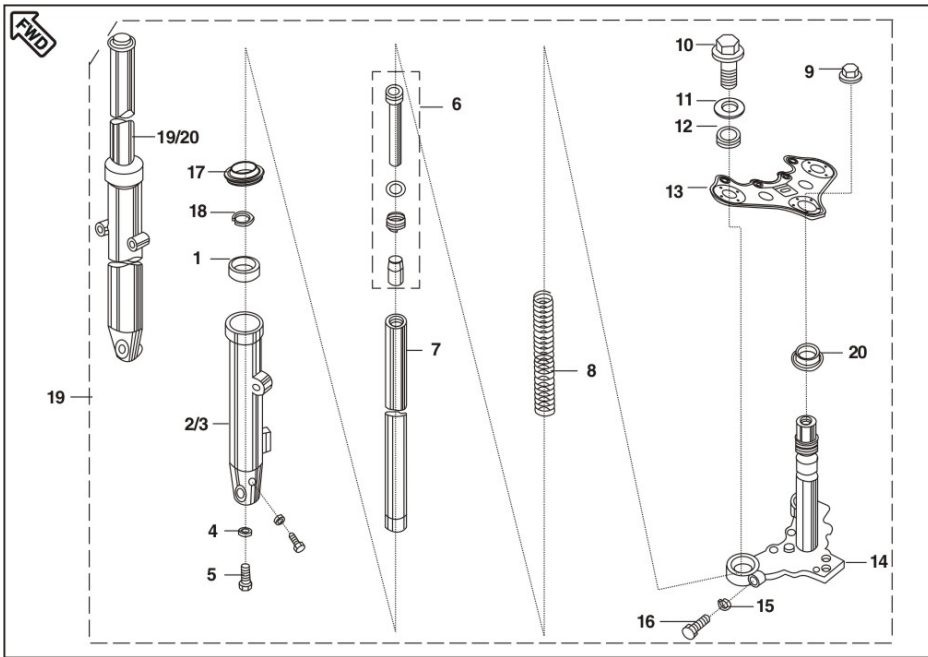


Fig No	Item Code	Description	Quantity	Serviceable	Chasis Number	With Effect From
1	DL181080	SEAL -OIL:FORK+2GARTR SPRNG,HI-TECH ARAI	1	Y		
2	DD181010	PIPE - LEFT :- FORK - OUTER	1	Y		
2	DD181067	PIPE - LEFT :- FORK - OUTER	1	Y		
3	DD181014	PIPE - RIGHT :- FORK - OUTER	1	Y		
3	DD181069	PIPE - RIGHT :- FORK - OUTER	1	Y		
4	30181026	GASKET	2	Y		
5	30181025	BOLT	2	Y		
6	30181018	CYLINDER - FORK	2	Y		
7	DM181036	PIPE COMPLETE - SUSPENSION :- INNER	2	Y		
8	DE181031	SPRING - FRONT FORK FROM ESIPL	2	Y		
9	FD181012	NUT - CAP :- SPECIAL	1	Y		
10	30181044	BOLT	2	Y		
11	30181029	RING - O	2	Y		
12	DF181085	SEAT -FORK SPRING:FR FORK+SHM UPPER BKT.	2	Y		
13	DD181205	HOLDER -FORK:UPER IN SHM+ST.CUM IGN.LOCK	1	Y		
14	DD181207	HOLDER - FORK :- UNDER- W/O LOCK BRACKET	1	Y		
15	39078912	WASHER - SPRING	2	Y		
16	39181304	BOLT -HEX. : M10X1.25 - ENDURANCE SYSTEM	2	Y		
17	DD181011	DUST SEAL	2	Y		
18	30181023	RING - SNAP	2	Y		
19	DUI81067	FORK-FR:110 DRUM,125 STROKE,W/O CVR-FORK	1	Y		
19	DZ181013	FORK - FR :130 DRUM,125 STROKE,W/O CVR	1	Y		
20	36DS1802	BEARING CONE KIT	1	Y		

Model Code: "001MC623" Model Name: "Bajaj Platina"

Plate Code: "34" Plate Description: "PAINTED PARTS"

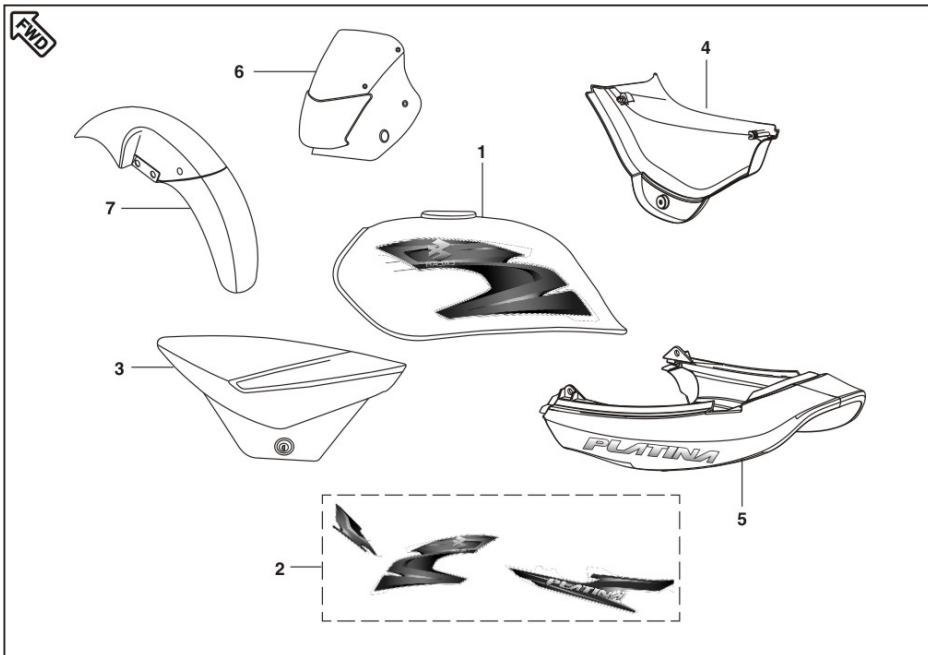


Fig No	Item Code	Description	Quantity	Serviceable	Chasis Number	With Effect From
1	DZ71012V	P TANK PAINTED DCL COCKTAIL WINE RED	1	Y		
1	DZ71013A	P TANK PAINTED DCL LONG BEACH BLUE	1	Y		
1	DZ71013J	P TANK PAINTED DCL JET BLK RED/DCL	1	Y		
1	DZ71013Q	P TANK PAINTED DCL SILVER/CHROME	1	Y		
1	DZ71013V	P TANK PAINTED DCL SLATE GRAY	1			
1	DZ71014G	P TANK PLATINA BLACK MAROON DCL	1	Y		
1	DZ71023W	P TANK VE PAINTED BLACK/CHROME	1	Y		
2	36DZ0003	KIT DECAL SET LONG BEACH BLUE (PLATINA)	1	Y		
2	36DZ0004	KIT DECAL SET COCKTAIL WINE RED(PLATINA)	1	Y		
2	36DZ0010	KIT DECAL JET BL BLUE (PLATINA)	1	Y		
3	DZ71013S	P TANK PAINTED DCL VIOLET-C	1	Y		
3	DZ73012V	SIDE COVER LH PAINTED COCKTAIL WINE RED	1	Y		
3	DZ73013A	SIDE COVER LH PAINTED LONG BEACH BLUE	1	Y		
3	DZ73013Q	SIDE COVER LH PAINTED SILVER/CHROME	1	Y		
3	DZ73013V	SIDE COVER LH PAINTED SLATE GRAY				
4	DZ73022V	SIDE COVER RH PAINTED COCKTAIL WINE RED	1	Y		
4	DZ73023A	SIDE COVER RH PAINTED LONG BEACH BLUE	1	Y		
4	DZ73023Q	SIDE COVER RH PAINTED SILVER/CHROME	1	Y		
4	DZ73023V	SIDE COVER RH PAINTED SLATE GRAY				
5	DZ73032V	SEAT COVER PAINTED DCL COCKTAIL WINE RED	1	Y		
5	DZ73033A	SEAT COVER PAINTED DCL LONG BEACH BLUE	1	Y		
5	DZ73033Q	SEAT COVER PAINTED DCL SILVER/CHROME	1	Y		

Bajaj Platina

5	DZ73033V	SEAT COVER PAINTED DCL SLATE GRAY				
5	DZ73034G	SEAT COVER PLATINA BLK MAROON DCL	1	Y		
6	DZ74012V	FAIRING PAINTED DCL COCK TAIL WINE RED	1	Y		
6	DZ74013A	FAIRING PAINTED DCL LONG BEACH BLUE	1	Y		
6	DZ74013Q	FAIRING PAINTED DCL SILVER/CHROME	1	Y		
6	DZ74013V	FAIRING PAINTED DCL SLATE GRAY				
6	DZ74014G	FAIRING PLATINA BLK MAROON DCL	1	Y		
7	52DZ0015	FENDER FRONT LONG BEACH BLUE (PLATINA)	1	Y		
7	52DZ0016	FENDER FR. COCK TAIL WINE RED(PLATINA)	1	Y		
7	52DZ0030	FENDER FRONT S/A (COLOUR-SILVER CHROME)	1	Y		
7	52DZ0061	FENDER FRONT S/A (SLAT GRAY) PLATINA				

Model Code: "001MC623" Model Name: "Bajaj Platina"

Plate Code: "35" Plate Description: "FUEL TANK CAP,TAP ASSLY. & FUEL GAUGE"

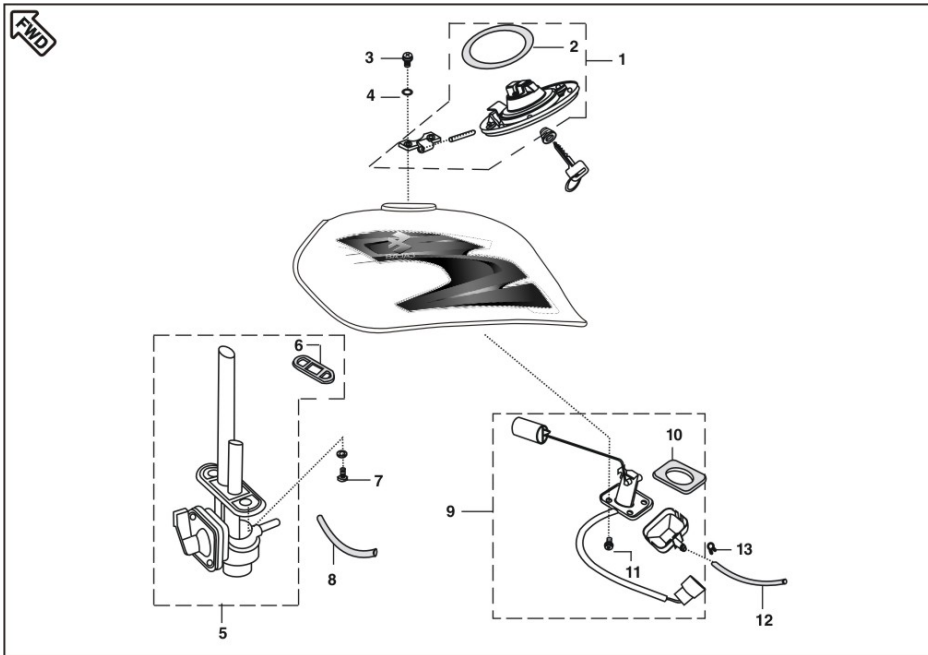


Fig No	Item Code	Description	Quantity	Serviceable	Chasis Number	With Effect From
1	DZ141011	CAP-ASSY-TANK	1	Y		
2	30141052	PACKING	1	Y		
3	39076101	SCREW PAN CROSS - M5	1	Y		
4	30141031	RING - O	2	Y		
5	DZ141004	ASSEMBLY FUEL TAP	2	Y		
6	30141039	PACKING	1	Y		
7	DD141227	BOLT - FLANGED HEAD+PHILIPS HEAD SOCKET	1	Y		
8	DU141041	TUBE - FUEL	2	Y		
9	DZ191010	GAUGE FUEL (SPARE PRICOL PLATINA)	1	Y		
9	DZ201019	TANK UNIT (OCTAGONAL FLANGE)	1	Y		
10	30141028	GASKET	1	Y		
10	39275821	RING - O :- I.D. 40 X 5	1	Y		
11	30141032	BOLT	1	Y		
11	39248415	NUT - FLANGE :- M5	4	Y		
12	DZ101034	TUBE RUBBER	1	Y		
13	DP121025	CLAMP (ID 12.5 MM)	1	Y		
14	DZ181004	LOCK SET (3 IN 1) - VE	1	Y		
15	DZ141075	GASKET 4 HOLE WITH F.K.M MATL (M/S SUJA)	1	Y		
16	DZ141040	FUEL COCK ASSLY. PLATINA (ECONOMICAL)	1	Y		

Model Code: "001MC623" Model Name: "Bajaj Platina"

Plate Code: "36" Plate Description: "CHAIN CASE"

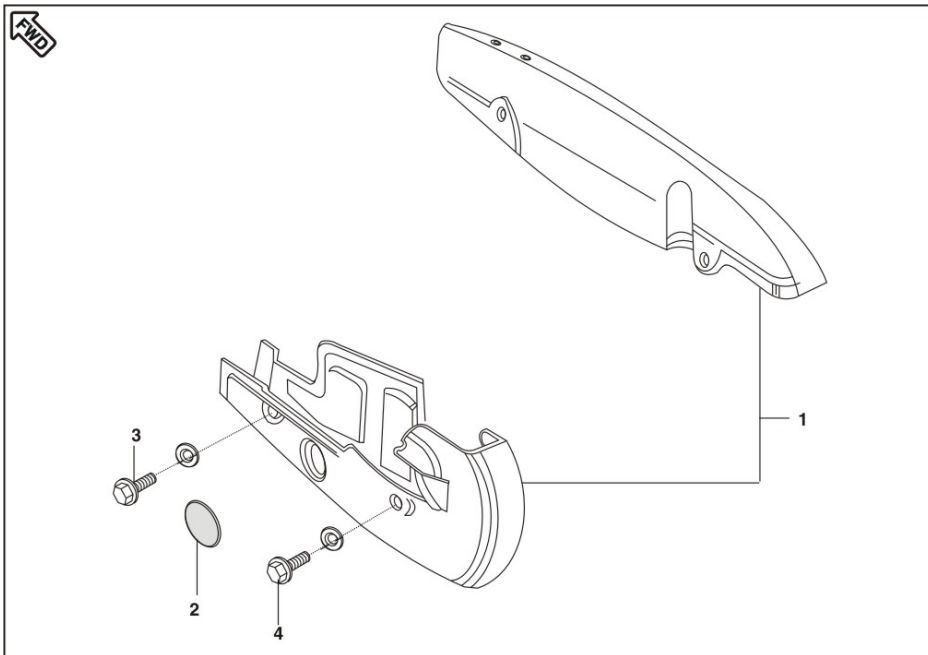


Fig No	Item Code	Description	Quantity	Serviceable	Chasis Number	With Effect From
1	36DZ0001	KIT CHAIN CASE (PLATINA)	1	Y		
1	36DZ0009	KIT CASE CHAIN FOR AW (PLATINA)	1	Y		
2	DF161416	CAP - CASE CHAIN	1	Y		
3	39247504	BOLT - HEXAGON HEAD WITH FLANGE :- M6	2	Y		
4	39155104	BOLT - FLANGE	2	Y		

Model Code: "001MC623" Model Name: "Bajaj Platina"

Plate Code: "37" Plate Description: "FITTINGS-PETROL TANK & SIDE COVER"

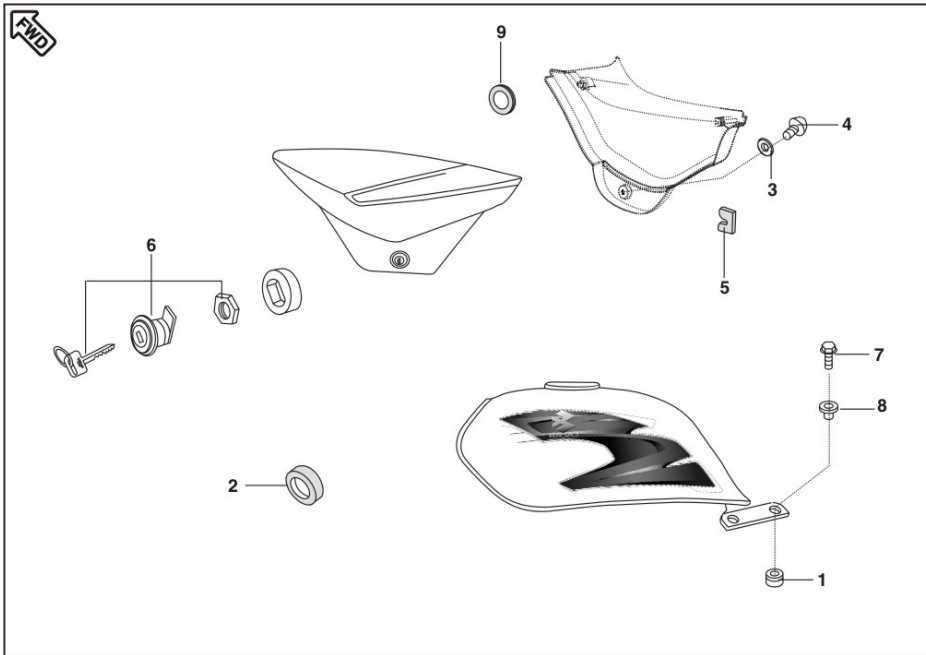


Fig No	Item Code	Description	Quantity	Serviceable	Chasis Number	With Effect From
1	DG141019	DAMPER	2	Y		
2	DG161118	GROMMET	2	Y		
3	DP161077	COLLAR	1	Y		
4	DG161121	SCREW	1	Y		
5	31161018	DAMPER	1	Y		
6	DZ181004	LOCK SET (3 IN 1) - VE	1	Y		
7	39155304	BOLT - FLANGE :- M6	2	Y		
8	DU141027	COLLAR ASSEMBLY	2	Y		
9	DP161168	DAMPER -MTG. COVER-SIDE:LH AT FRAME REAR	2	Y		

Model Code: "001MC623" Model Name: "Bajaj Platina"

Plate Code: "38" Plate Description: "METER ASSEMBLY"

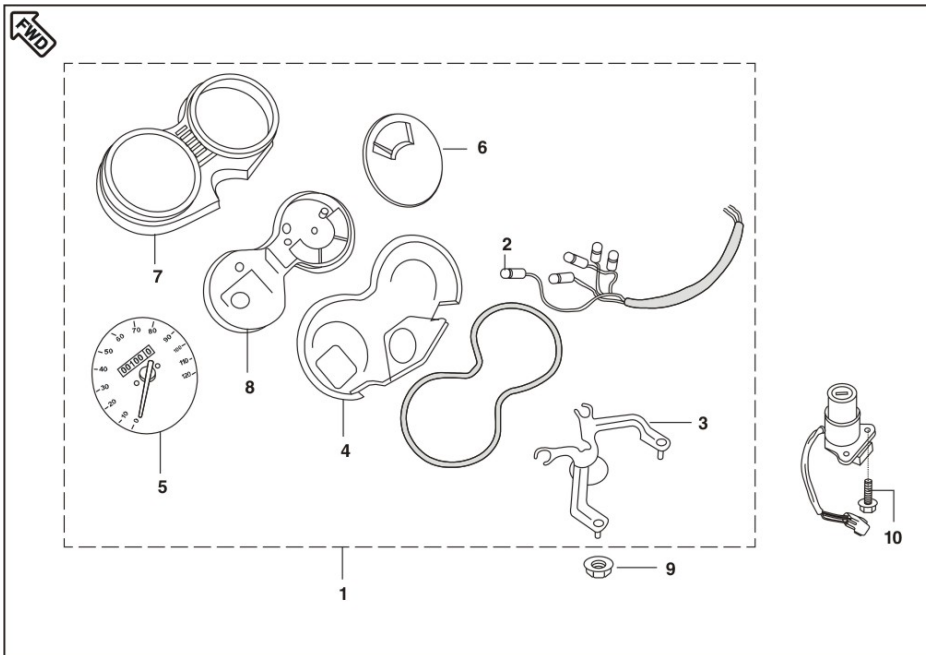


Fig No	Item Code	Description	Quantity	Serviceable	Chasis Number	With Effect From
1	DZ191005	SPEEDOMETER ASSEMBLY	1	Y		
2	DL191020	LAMP :- 12V - 3W, WITHOUT CAP	5	Y		
3	DU191021	BRACKET SPEEDOMETR MTG:CT-S1E:SPARE-VDO	1	Y		
4	DU191023	COVER -METER:LOWER(SPARE PRICOL: CT-S1E)	1	Y		
5	DZ191009	SPEEDOMETER MACHINE WITH DIAL (PRICOL)	1	Y		
6	DZ191010	GAUGE FUEL (SPARE PRICOL PLATINA)	1	Y		
7	DZ191008	COVER - METER UPPER (SPARE PART PRICOL)	1	Y		
8	DU191024	CASE - INNER:WHITE:- SPARE PRICOL:CT-S1E	1	Y		
9	39079815	NUT - HEXAGON WITH FLANGE :- M6	2	Y		
10	39194304	BOLT - FLANGED	2	Y		

Model Code: "001MC623" Model Name: "Bajaj Platina"
Plate Code: "39" Plate Description: "CONTROL CABLES"

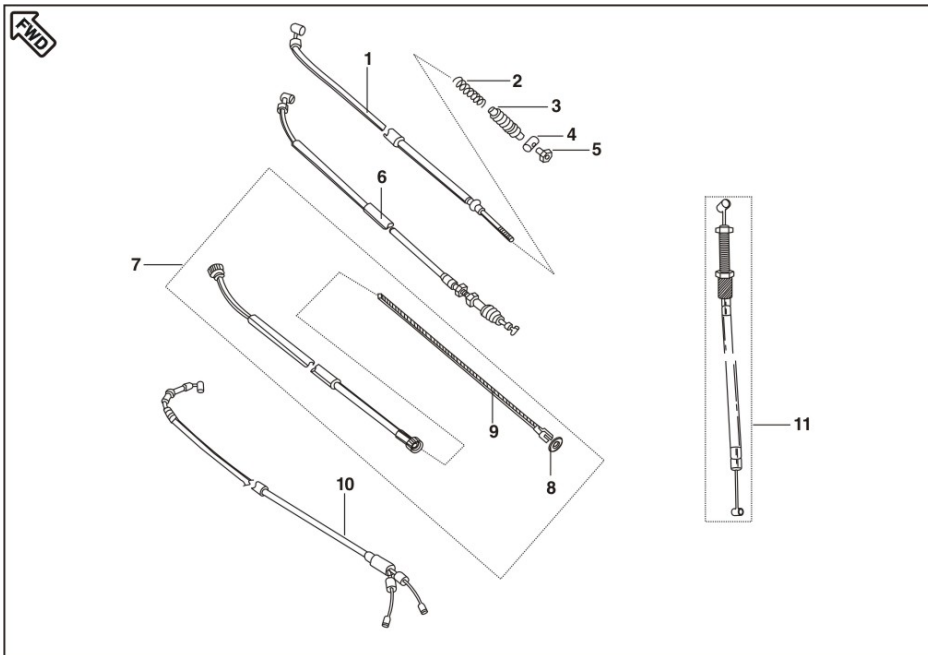


Fig No	Item Code	Description	Quantity	Serviceable	Chasis Number	With Effect From
1	DD191019	CBL-BRAKE WITH INNER CABLE DIA. 2.5MM	1	Y		
1	DU191008	CABLE -BRAKE WITH INER CABLE DIA. 2.5 MM	1	Y		
2	30191070	SPRING	1	Y		
3	30191069	SEAL - DUST	1	Y		
4	30191071	ROD END	1	Y		
5	30191072	NUT - ADJUSTING	1	Y		
6	DU191006	CABLE - CLUTCH	1	Y		
7	DD191075	CABLE - SPEEDOMETER	1	Y		
7	DU191013	CABLE - SPEEDOMETER WITHOUT BENT TUBE	1	Y		
7	DZ191014	CABLE - SPEEDOMETER WITHOUT BENT TUBE	1			
8	30191067	SEAL - OIL	1	Y		
9	31191004	CABLE - INNER :- SPEEDOMETER	1	Y		
9	DZ191013	CABLE-BRAKE WITH INER CABLE DIA. 2.5 MM	1			
10	DU191005	CABLE THROTTLE FOR BOXER SUPER 100	1	Y		
11	DD191125	CABLE -STARTR:PULSR TYP SWITCH+KTEC CARB	1	Y		

Model Code: "001MC623" Model Name: "Bajaj Platina"

Plate Code: "40" Plate Description: "HEAD LAMP ASSLY. / FAIRING"

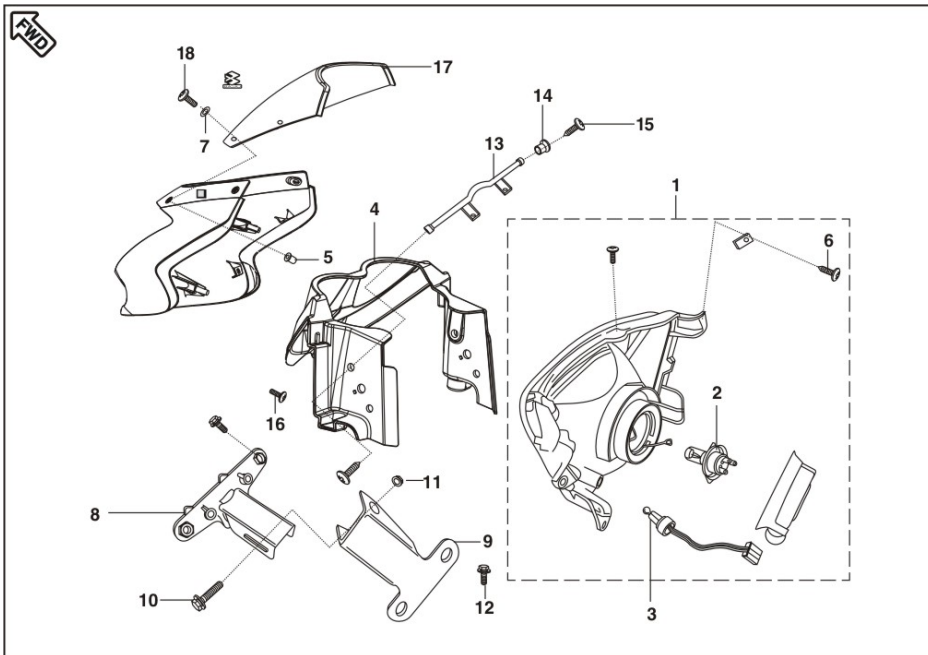


Fig No	Item Code	Description	Quantity	Serviceable	Chasis Number	With Effect From
1	DU201047	LAMP (LIGHT)ASY-HEAD+LAMP FOR CT100(S1D)	1	Y		
1	DU201048	LAMP (LIGHT) ASLY. - HEAD FOR CT100(S1D)	1			
2	CL201023	LAMP :- 12V-35/35W-HS1 FOR USA	1	Y		
3	30201029	LAMP :- 12V - 4W	1	Y		
4	DZ181001	FLAP-COWLING	1	Y		
5	DL181010	NUT - WELL :- M5	4	Y		
6	DL181009	SCREW :- M5 X L = 16	5	Y		
7	39214124	WASHER (NON METALIC ROUND WASHER)	9	Y		
8	DD181183	BRACKET - COWLING :- LOWER	1	Y		
9	DZ181012	BRACKET- FORK SIDE	1	Y		
10	39194204	BOLT - FLANGED	1	Y		
11	39085815	NUT - SQUARE WELD :- M5 X 0.8	1	Y		
12	39194304	BOLT - FLANGED	2	Y		
13	DZ181003	BRACKET-COWLING	1	Y		
14	DP181040	COLLAR - COWLING MOUNTING	2	Y		
15	39258501	SCREW - M6	2	Y		
16	39081302	SCREW - CROSS RECESSED PAN HEAD TAPPING	4	Y		
17	DP181063	WINDSHIELD WITH LABEL - `B KAWASAKI'	1	Y		

Model Code: "001MC623" Model Name: "Bajaj Platina"

Plate Code: "41" Plate Description: "TURN SIGNAL LAMP"

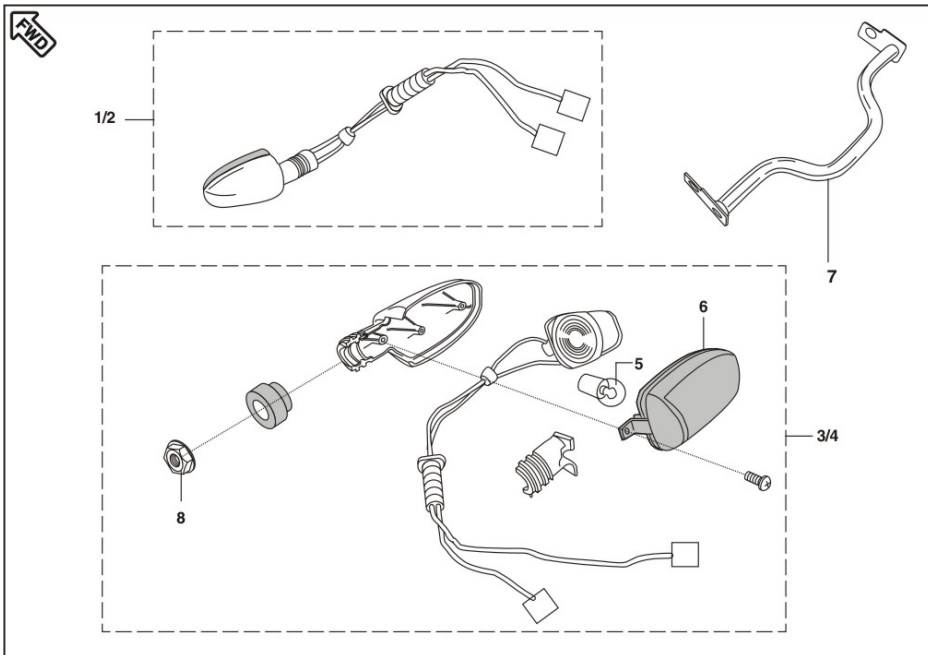


Fig No	Item Code	Description	Quantity	Serviceable	Chasis Number	With Effect From
1	DZ201005	INDICATOR ASSEMBLY FRONT LH WITH LAMP	1	Y		
1	DZ201011	INDICATOR ASSEMBLY FRONT LH WITH LAMP	1	Y		
2	DZ201006	INDICATOR ASSEMBLY FRONT RH WITH LAMP	1	Y		
2	DZ201012	INDICATOR ASSEMBLY FRONT RH WITH LAMP	1	Y		
3	DZ201007	INDICATOR ASSEMBLY REAR LH WITH LAMP	1	Y		
3	DZ201013	INDICATOR ASSEMBLY REAR LH WITH LAMP	1	Y		
4	DZ201008	INDICATOR ASSEMBLY REAR RH WITH LAMP	1	Y		
4	DZ201014	INDICATOR ASSEMBLY REAR RH WITH LAMP	1	Y		
5	06201083	LAMP :- 12V - 10W	4	Y		
6	DZ201009	LENS- INDICATOR ASSEMBLY LH	4	Y		
6	DZ201010	LENS- INDICATOR ASSEMBLY FRONT RH	4	Y		
6	DZ201029	LENS CLEAR AND REFLECTOR ASSY	1	Y		
7	DZ181002	BRACKET SIGNAL-FRONT	1	Y		
8	39197015	NUT - HEXAGON WITH FLANGE :- M8	2	Y		

Model Code: "001MC623" Model Name: "Bajaj Platina"

Plate Code: "42" Plate Description: "FRONT AND REAR NUMBER PLATE"

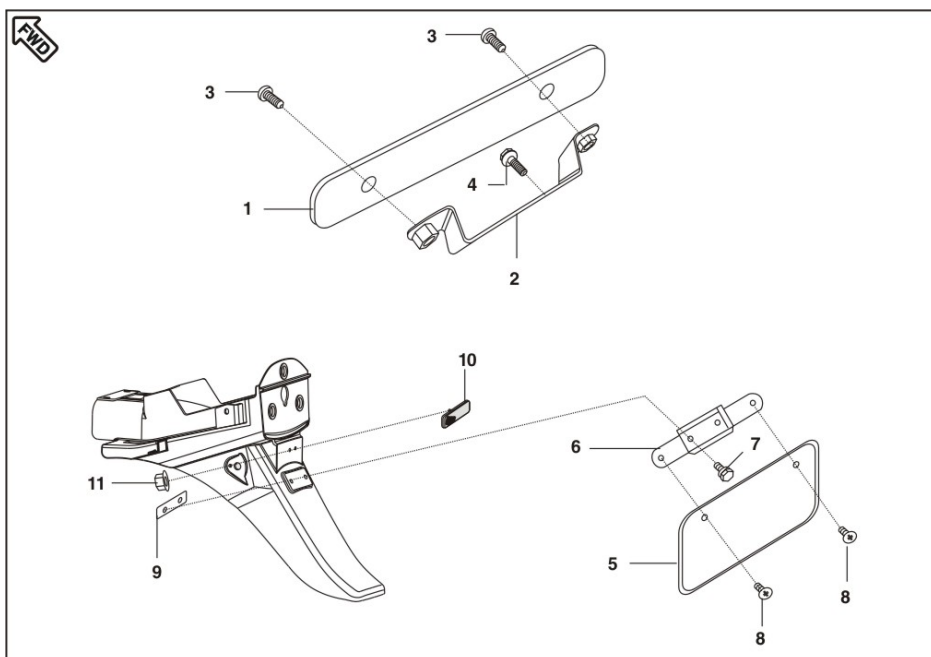


Fig No	Item Code	Description	Quantity	Serviceable	Chasis Number	With Effect From
1	DP161144	PLATE -NO.:FR-SAME AS SECURITY PLATE,RTO	1	Y		
2	DP181021	BRACKET - NUMBER PLATE	1	Y		
3	39178301	SCREW - TRUSS :- M5 X 0.8 X 10	2	Y		
4	39085815	NUT - SQUARE WELD :- M5 X 0.8	2	Y		
5	DP161145	PLATE -NO.:RR-SAME AS SECURITY PLATE,RTO	1	Y		
6	DP161101	BRACKET ASY.: -MOUNTING REAR NUMBER PLATE	1	Y		
7	39248304	BOLT - HEXAGON HEAD WITH FLANGE :- M6	2	Y		
8	39240701	SCREW - TRUSS :- M6	2	Y		
9	DP161100	BRACKET ASY. IN FENDER-RR:-MTG. DP161101	1	Y		
10	DD201002	REFLECTOR - REFLEX	1	Y		
11	39197215	NUT - HEXAGON WITH FLANGE :- M5	1	Y		

Model Code: "001MC623" Model Name: "Bajaj Platina"

Plate Code: "43" Plate Description: "TAIL LAMP ASSEMBLY"

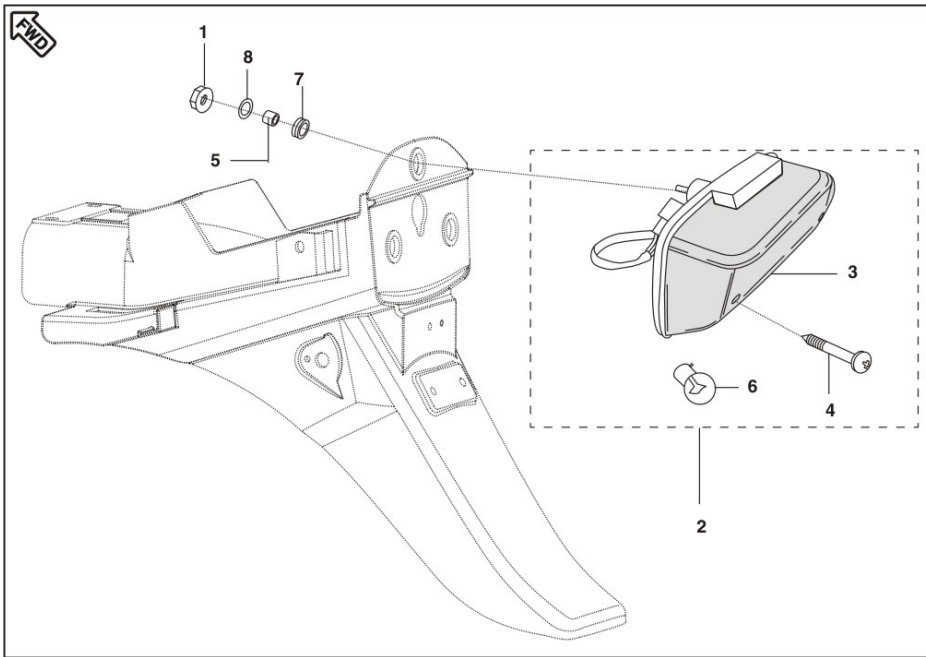


Fig No	Item Code	Description	Quantity	Serviceable	Chasis Number	With Effect From
1	39081715	NUT - HEXAGON WITH FLANGE :- M6	3	Y		
2	DP201030	LAMP (LIGHT) ASSEMBLY - TAIL	1	Y		
3	DP201019	LENS - TAIL LAMP	1	Y		
4	DD201034	SCREW FOR LENS - TAIL LIGHT	2	Y		
5	DU141027	COLLAR ASSEMBLY	3	Y		
6	20201029	LAMP :- 12V - 21/5W, P 21/5W	1	Y		
6	31201028	LAMP :- 12V - 10/5W	1	Y		
7	DD201011	DAMPER	3	Y		
8	DD201044	NUT (NYLON)	3	Y		

Model Code: "001MC623" Model Name: "Bajaj Platina"

Plate Code: "44" Plate Description: "ELECTRICAL EQUIPMENT"

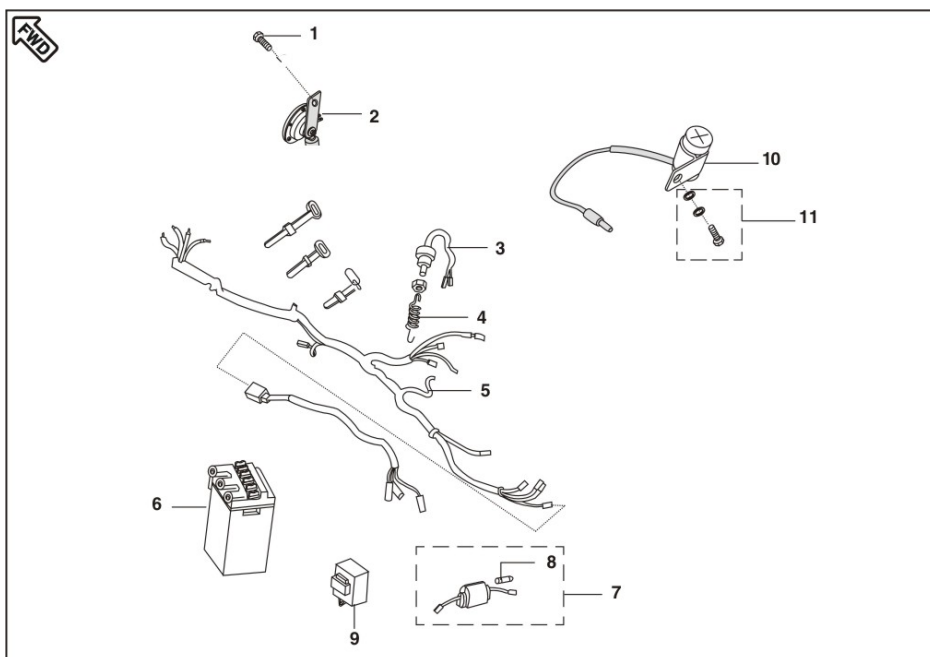


Fig No	Item Code	Description	Quantity	Serviceable	Chasis Number	With Effect From
1	39194004	BOLT - FLANGED :- M8	1	Y		
2	DF201252	HORN :- 12V - D. C.	1	Y		
3	31201079	SWITCH - REAR BRAKE	1	Y		
4	30201074	SPRING - BRAKE SWITCH	1	Y		
5	DZ201001	HARNESS WIRING	1	Y		
6	31201027	BATTERY	1	N		
7	DF201129	BOX - FUSE WITH DAMPER (FOR BOXER-GOLD)	1	Y		
8	30201085	FUSE - 15 AMPS	1	Y		
9	DS201025	FLASHER - D. C. :- SOLID STATE	1	Y		
10	DU201063	CAPACITOR ELECTROLYTIC	1	Y		
11	39155104	BOLT - FLANGE	1	Y		

Model Code: "001MC623" Model Name: "Bajaj Platina"

Plate Code: "45" Plate Description: "TOOL KIT"

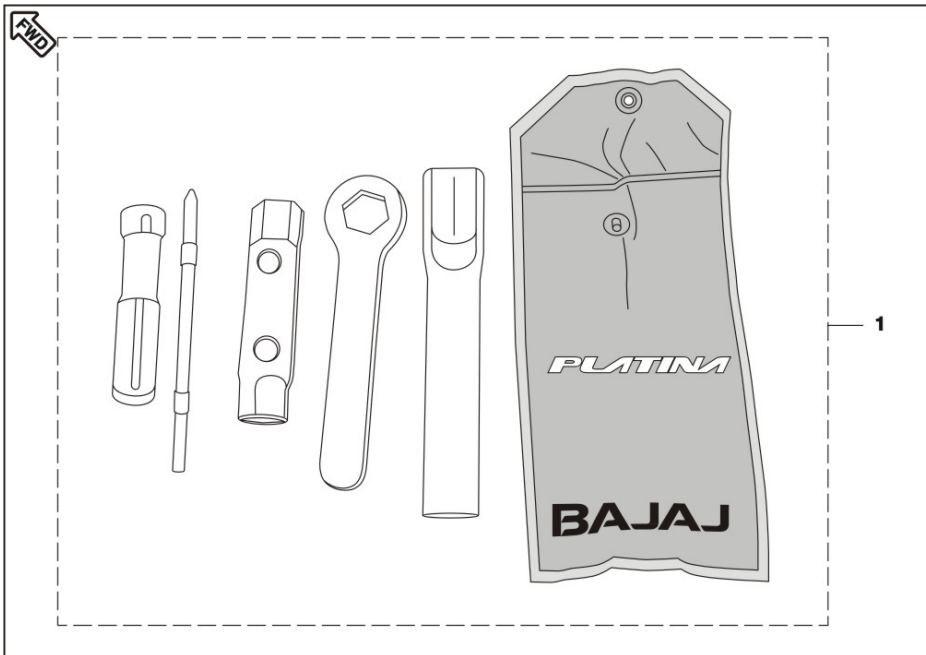


Fig No	Item Code	Description	Quantity	Serviceable	Chasis Number	With Effect From
1	DZ221005	TOOL KIT WITH VALUE ENGINEERED TOOLS	1	Y		
1	DZ221006	TOOLKIT :- VALUE ENGINEER	1	Y		

Model Code: "001MC623" Model Name: "Bajaj Platina"

Plate Code: "46" Plate Description: "SEAT ASSEMBLY"

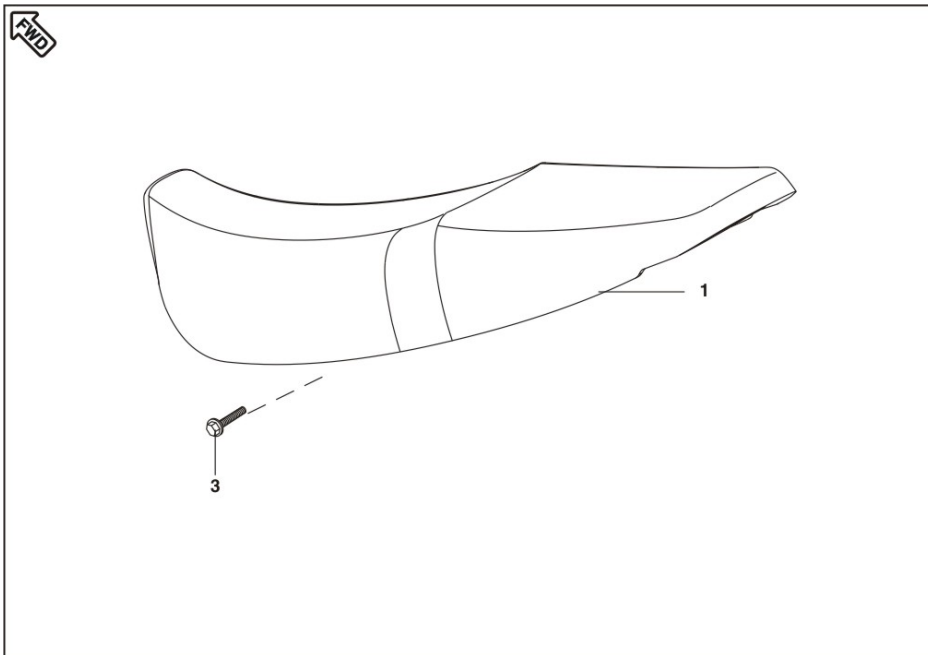


Fig No	Item Code	Description	Quantity	Serviceable	Chasis Number	With Effect From
1	DZ211001	SEAT-ASSY	1	Y		
2	DP211009	DAMPER	9	Y		
3	39074301	SCREW - COUNTERSUNK CROSS :- M6	1	Y		

Model Code: "001MC623" Model Name: "Bajaj Platina"

Plate Code: "47" Plate Description: "ACCESSORIES (LEG GARD, SAREE GUARD & MIRRORS)"

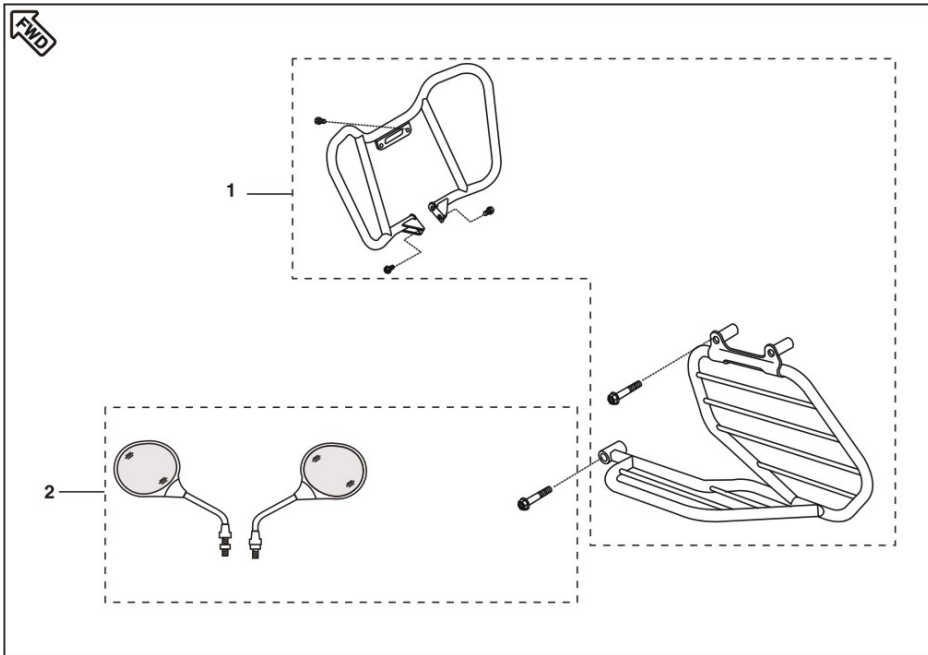


Fig No	Item Code	Description	Quantity	Serviceable	Chasis Number	With Effect From
1	36DZ0005	KIT LEG / SARI GUARD (PLATINA)	1	Y		
2	36DZ0006	KIT LEG/SAREE GUARD HARDWARE(PLATINA)	1	Y		